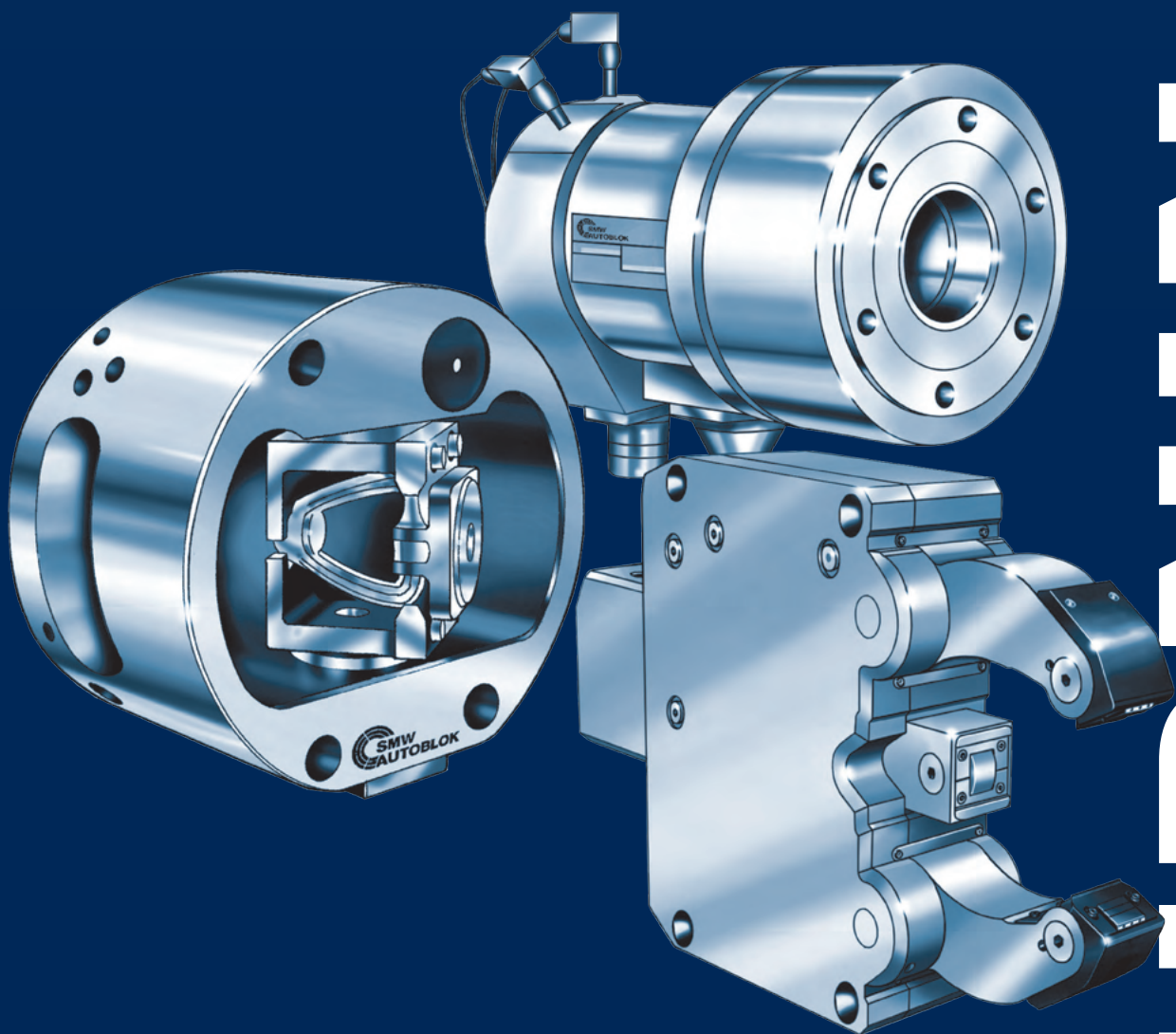


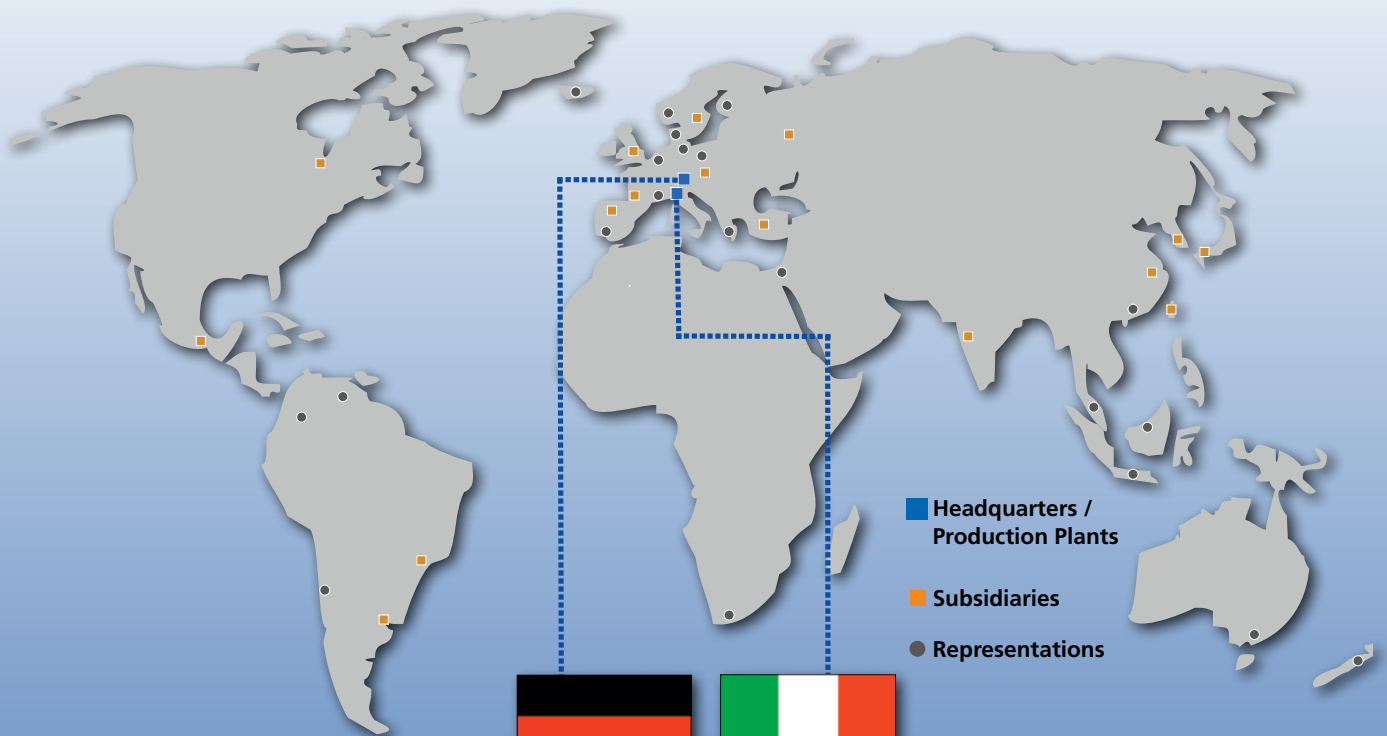


MAIN CATALOGUE | 2021



BRUNNEN
21
G
N
R
U
E

SMW-AUTOBLOK worldwide



SMW-AUTOBLOK manufacturing plant Meckenbeuren
Development | Manufacturing | Sales | Service | Support



AUTOBLOK manufacturing plant Caprie-Torino



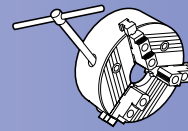
Visit our website: www.smw-autoblok.de

Latest product catalogues | Product innovations | Worldwide contact data | Tutor: Customer section

Free web applications: Jaw Finder | D-Vario Configurator | Update GFT-X 4.0

0

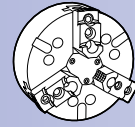
Manual chucks



Page 7

1

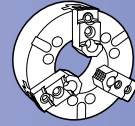
Closed center power chucks



Page 47

2

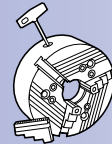
Open center power chucks



Page 95

3

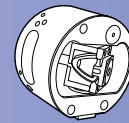
Quick jaw change power chucks



Page 131

4

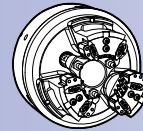
Pull-down chucks ■ Compensating chucks
Indexing chucks ■ Shaft chucks
Column chucks ■ 6-jaw 2+2+2 chucks



Page 169

5

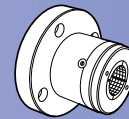
Diaphragm chucks



Page 247

6

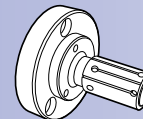
Collet chucks ■ Bar pulling chucks



Page 267

7

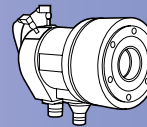
Manual or power operated expanding mandrels
Adapter flanges



Page 291

8

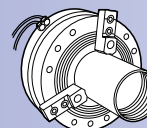
Closed center cylinders ■ Open center cylinders
Double piston cylinders



Page 321

9

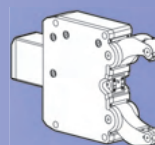
Pneumatic / hydraulic front-end chucks
Control units



Page 343

10

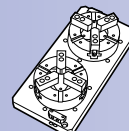
Self-centering steady rests
for turning and grinding



Page 385

11

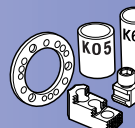
Static chucks pneumatic / hydraulic



Page 435

12

Chuck switching system ■ Chuck flanges
Top jaws ■ T-nuts ■ Grippers
Gripping force meter ■ Grease ■ Accessories



Page 453



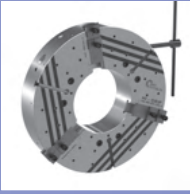
HG-N

TONGUE & GROOVE
Jaw system original SMW

Manual chucks Ø 160 - 630 mm

- With through-hole - Quick jaw change
- 3 jaws

Page 8



HG-NB

TONGUE & GROOVE

Manual chucks Ø 800 - 1000 mm

- With EXTRA large through-hole - Quick jaw change
- All common (existing) top jaws can be used
- 3 jaws

Page 14



HG-2G

TONGUE & GROOVE

Manual chucks Ø 400 - 630 mm

- With through-hole - Quick jaw change
- 3 jaws
- Lubrication channels in the jaw guide ways
- Mechanic sealed - low maintenance

Page 18



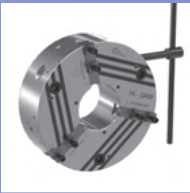
HG-B-2G

TONGUE & GROOVE

Manual chucks Ø 800 - 1000 mm

- With EXTRA large through-hole - Quick jaw change
- All common (existing) top jaws can be used
- 3 jaws
- Mechanic sealed - low maintenance

Page 24



HG-F

TONGUE & GROOVE
Jaw system FORKARDT

Manual chucks Ø 160 - 400 mm

- With through-hole - Quick jaw change
- 3 jaws

Page 28



PTF

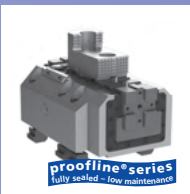
TONGUE & GROOVE

Manual clamping and radial setting of jaws

High precision 4-jaw independent manual chucks Ø 1000 - 2000 mm

- Closed center
- 4 jaws

Page 34



JBX

Manual jaw box
Standard mounting dimensions

High precision, resistance and power manual jaw box

- Accessory for face plates, 4 jaws independent manual or chucks
- Internal or external clamping

Page 36

JBX-2G

Manual jaw box
with semi-finished body



Centco4-MLW

INCH
SERRATION

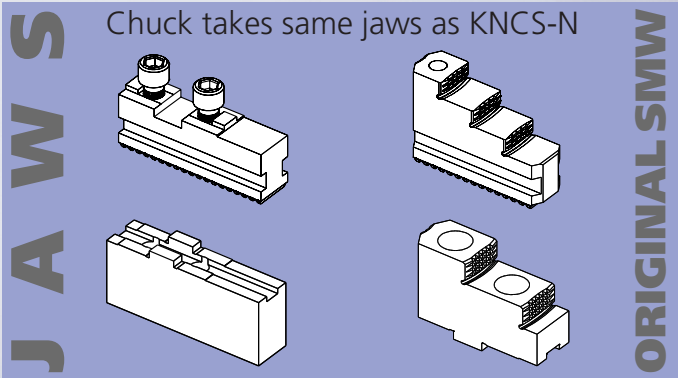
4-jaw chuck
Ø 400 - 1400 mm

- Independent self centering clamping in 2 axis
- Weight-optimized chuck body
- 4 jaws

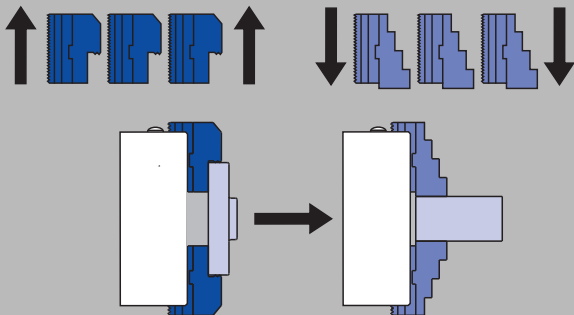
Page 40

Quick jaw change

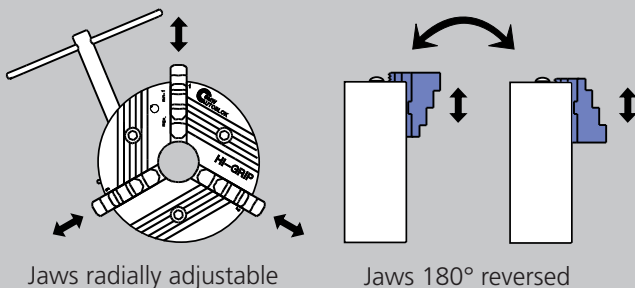
HG-N



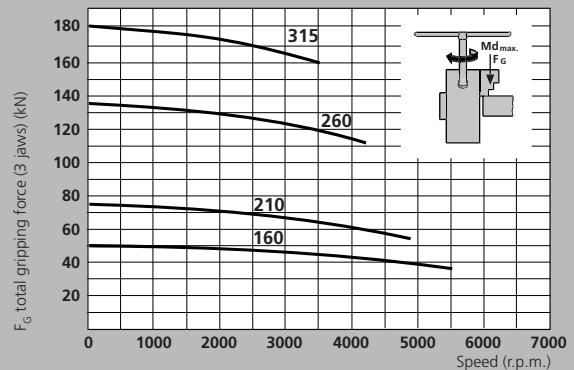
- Jaw change in less than 1 minute



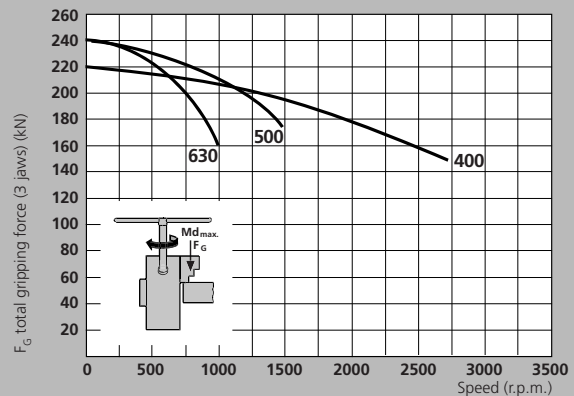
- Universal, because jaws can be radially adjusted and reversed = less jaw sets



Flat gripping force curve for highest speeds



- The max. gripping force is the total, acting on the 3 jaws, obtained by applying to the chuck the max. allowed driving torque. The data refers to a chuck newly maintained accordingly to their service manual, using SMW K05 grease.



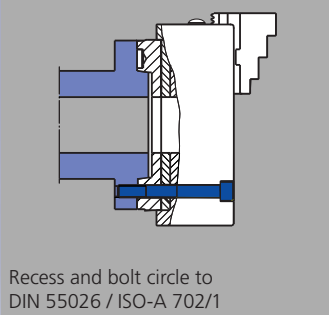
- The dynamic gripping forces have been measured using hardened standard stepped monoblock jaws type GST placed in a position not exceeding the outer diameter of the chuck.

⚠ Safety advice / danger of damage:

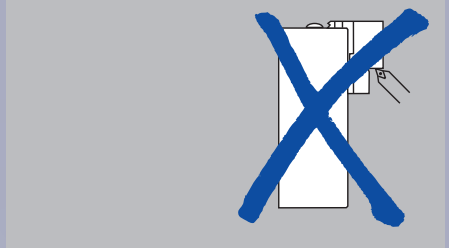
When using taller / heavier jaws and / or clamping on a more external position reduce driving torque / rotating speed accordingly.

manual chuck HI-GRIP®

Direct mounting



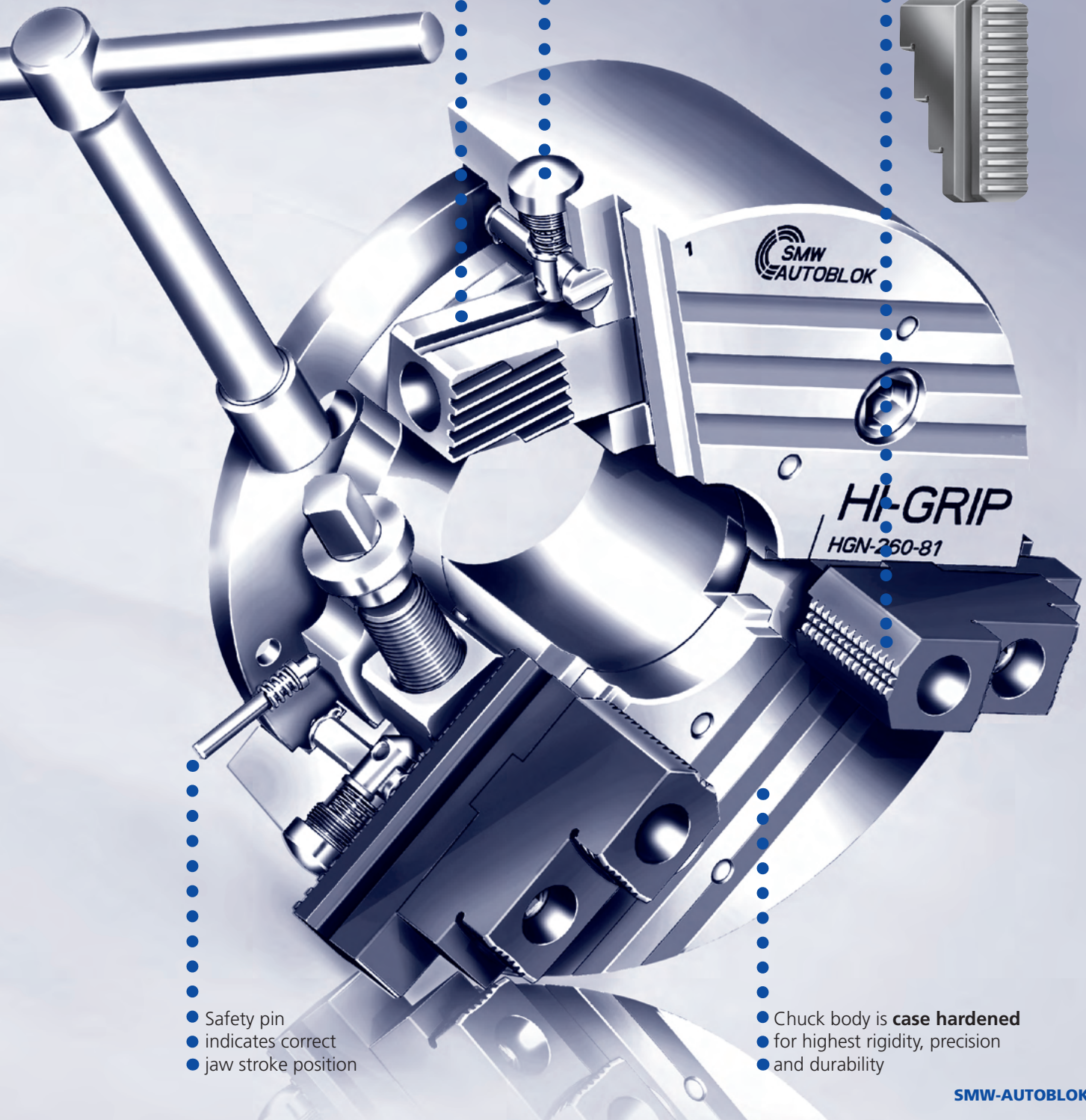
■ No re boring of already machined jaws necessary, because of runout < 0.02 (e.g. HG-N 210)



Wedge bar design guarantees highest precision, concentricity and repeatability as well as highest gripping forces

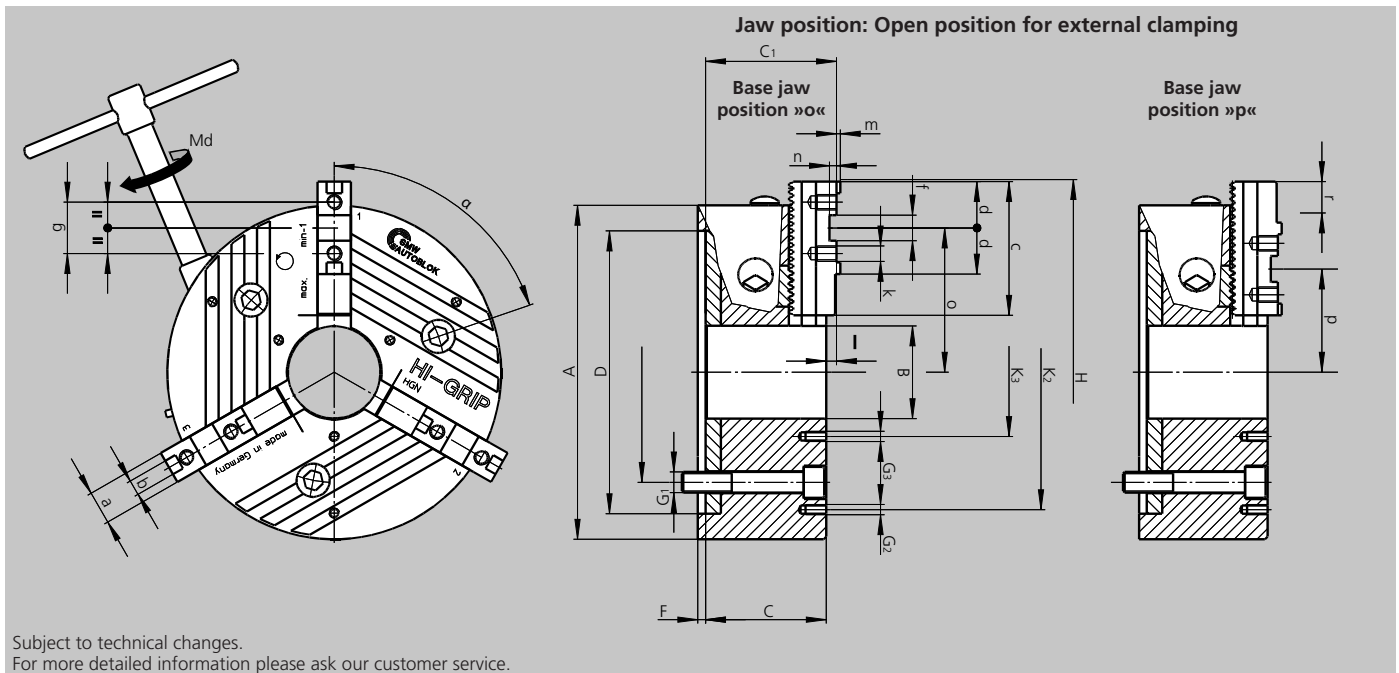
● Safety jaw release with interlock

● Jaw system SMW



● Safety pin indicates correct jaw stroke position

● Chuck body is **case hardened** for highest rigidity, precision and durability

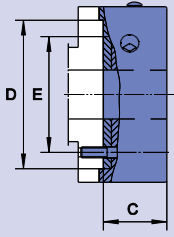


Subject to technical changes.
For more detailed information please ask our customer service.

SMW-AUTOBLOK Type		HG-N 160-46	HG-N 210-60	HG-N 260-81	HG-N 315-102	HG-N 400-128	HG-N 500-165	HG-N 630-254
Mounting	Size	Z140	Z170	Z220	Z300	Z380	Z380	Z380
H6	A	165	210	260	315	400	500	630
	B	46	60	81	102	128	165	254
	C	64	85.5	93.7	110.8	125	136	143
	C1	71	90.4	102	120.1	134.3	146	153
	D	140	170	220	300	380	380	380
	E	104.8	133.4	171.4	235	330.2	330.2	330.2
	F	5	6	6	6	6	8	8
	G1	M10	M12	M16	M20	M24	M24	M24
	G2	-	M10 / 3 x 120°	M10 / 3 x 120°	M10 / 3 x 120°	M12 / 3 x 120°	M16 / 9 x 40°	M16 / 6 x 60°
	G3	M5 / 3 x 120°	M6 / 3 x 120°	M8 / 3 x 120°	M10 / 3 x 120°	M12 / 3 x 120°	M12 / 3 x 120°	M12 / 3 x 120°
Swing dia.	H	194	244	300	358	426	530	685
	K2	-	168	210	268	330	420	550
	K3	75	75	95	120	152	195	290
	α	76°	74°	71°	71°	71°	71°	74°
	β	-	60°	60°	60°	60°	20°	30°
	Master jaw		GBK 160	GBK 200	GBK 250	GBK 315	GBK 400	GBK 500
f7	a	20	22	26	32	32	45	45
	b	8	10	12	12	12	18	18
	c	65	85	104	115	125	160	200
	d	28	33	36	36	43	50	50
H7	f	18	20	20	20 (26)	26	30	30
	g	32	40	40	40 (54)	54	60	60
Thread / thread depth	k	M8 / 12	M8 / 13	M12 / 15	M12 / 17	M12 / 17	M16 / 34	M16 / 34
	l	6	4.9	8.3	9.3	9.3	10	10
	m	2.5	2.5	3	3	3	4	4
	n	5	4.5	5.5	6	7	9	9
Max. / min.	o	68.5 / 49.5	88 / 64.5	112.4 / 79.4	141.3 / 102.8	168.8 / 113.8	211 / 141	291.5 / 200.5
Max. / min.	p	59.3 / 40.5	69 / 45.5	80.6 / 47.6	98.3 / 59.8	129.8 / 74.8	150 / 80	191.5 / 100.5
Base jaw tooth pitch	-	4.7	4.7	5.5	5.5	5.5	7	7
Master jaw offset	r	18.8	23.5	33	38.5	55	70	91
Master jaw offset	teeth	4	5	6	7	10	10	13
Usable jaw stroke	mm	5.9	6.4	7.4	9.6	11.4	11.5	13
Max. total gripping force	kN	60	75	130	180	220	250	250
At max. torque Md	Nm	80	120	160	200	250	260	260
Speed	r.p.m.	5500	4800	4200	3500	2700	1500	1000
Weight without jaws	kg	8.3	19	32	53	103	161	270
Moment of inertia	kg·m ²	0.03	0.09	0.25	0.60	1.9	4.5	12

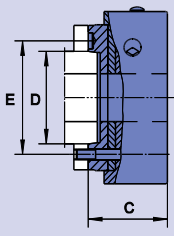
Ordering review

Chuck with center mounting DIN 6350



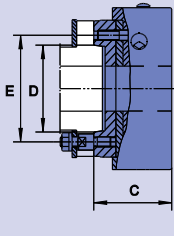
Chuck	HG-N 160-46	HG-N 210-60	HG-N 260-81	HG-N 315-102	HG-N 400-128	HG-N 500-165	HG-N 630-254
Mounting	Z140	Z170	Z220	Z300	Z380	Z380	Z380
C	81	85.5	94	111	125	136	136
D	140	170	220	300	380	380	380
E	104.8	133.4	171.4	235	330.2	330.2	330.2
Chuck with GBK + WAK							
Id. No.	089310	089538	089550	089562	089574	089584	089708
Chuck with GST							
Id. No.	089312	089313	089317	089321	089325	089328	089709
Chuck with GBK + GUA							
Id. No.	089331	089539	089551	089563	089575	089585	089710

Chuck with ISO-A mounting DIN 55026



Chuck	HG-N 160-46		HG-N 210-60		HG-N 260-81		HG-N 315-102		HG-N 400-128		HG-N 500-165		HG-N 630-254		
Mounting	A4	A5	A5	A6	A8	A6	A8	A8	A11	A11	A15	A11	A15	A11	A15
C	101	101	109.5	107.5	125.5	118	119	141	141	165	161	176	172	176	172
D	63.52	82.57	82.57	106.39	139.73	106.39	139.73	139.73	196.88	196.88	285.77	196.88	285.77	196.88	285.77
E	82.6	104.8	104.8	133.4	171.4	133.4	171.4	171.4	235.0	235.0	330.2	235.0	330.2	235.0	330.2
Chuck with GBK + WAK															
Id. No.	089332	089342	090458	089540	089542	089552	089554	089564	089566	089576	089578	089586	089588	089711	089713
Chuck with GST															
Id. No.	089962	089346	090459	089314	089315	089318	089319	089322	089323	089326	089327	089329	089330	089715	089732
Chuck with GBK + GUA															
Id. No.	089427	089434	090460	089541	089543	089553	089555	089565	089567	089577	089579	089587	089589	089749	089760

Chuck with bayonet mounting DIN 55027 Type C



Chuck	HG-N 160-46		HG-N 210-60		HG-N 260-81		HG-N 315-102		HG-N 400-128		HG-N 500-165		HG-N 630-254		
Mounting	C4	C5	C5	C6	C8	C6	C8	C8	C11	C11	C15	C11	C15	C11	C15
C	101	101	107.5	107.5	125.5	119	119	141	141	161	161	172	172	172	172
D	63.52	82.57	82.57	106.39	139.73	106.39	139.73	139.73	196.88	196.88	285.77	196.88	285.77	196.88	285.77
E	85	104.8	104.8	133.4	171.4	133.4	171.4	171.4	235.0	235.0	330.2	235.0	330.2	235.0	330.2
Chuck with GBK + WAK															
Id. No.	089464	089487	090461	089544	089546	089556	089558	089568	089570	089580	089582	089590	089592	089761	089762
Chuck with GST															
Id. No.	089488	089489	090462	089478	089479	089480	089476	089481	089482	089483	089484	089485	089486	089765	089766
Chuck with GBK + GUA															
Id. No.	089518	089519	090463	089545	089547	089557	089559	089569	089571	089581	089583	089591	089593	089786	089802

Chuck with Camlock mounting DIN 55029 Type S



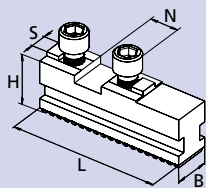
Chuck	HG-N 160-46		HG-N 210-60		HG-N 260-81		HG-N 315-102		HG-N 400-128		HG-N 500-165		HG-N 630-254		
Mounting	S4	S5	S5	S6	S8	S6	S8	S8	S11	S11	S15	S11	S15	S11	S15
C	109	109	118.5	118.5	125.5	132	132	154	154	175	175	186	186	186	186
D	63.52	82.57	82.57	106.39	139.73	106.39	139.73	139.73	196.88	196.88	285.77	196.88	285.77	196.88	285.77
E	82.6	104.8	104.8	133.4	171.4	133.4	171.4	171.4	235.0	235.0	330.2	235.0	330.2	235.0	330.2
Chuck with GBK + WAK															
Id. No.	089520	089528	090464	089901	089905	089909	089913	089917	089921	089925	089929	089933	089937	089803	089832
Chuck with GST															
Id. No.	089602	089663	089996	089899	089903	089907	089911	089915	089919	089923	089927	089931	089935	089843	089897
Chuck with GBK + GUA															
Id. No.	089668	089674	090466	089902	089906	089910	089914	089918	089922	089926	089930	089934	089938	089942	089955

Parts included: Fixing elements (screws resp. studs resp. camlock bolts).

QUICK JAW CHANGE

GBK

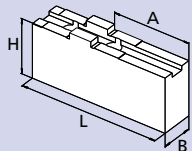
Hardened base jaws



Chuck	HG-N 160	HG-N 210	HG-N 260	HG-N 315	HG-N 400	HG-N 500	HG-N 630
Jaw type	GBK 160	GBK 200	GBK 250	GBK 315	GBK 400	GBK 500	GBK 630
Id. No.	012439	012440	012441	012442	012443	012444	012445
B	20	22	26	32	32	45	45
H	27.5	29.5	37	43	43	57	57
L	65	85	104	115	125	160	200
N	18	20	20	20	26	30	30
S	8	10	12	12	12	18	18
kg / set	0.7	1.0	1.8	2.7	3.0	7.1	9.0

WAK

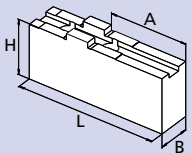
Soft top jaws



Chuck	HG-N 160	HG-N 210	HG-N 260	HG-N 315	HG-N 400	HG-N 500	HG-N 630
Jaw type	WAK 160-10	WAK 200-10	WAK 250-10	WAK 250-10	WAK 400-10	WAK 500-10	WAK 500-10
Id. No.	012491	012492	012493	012493	012494	012495	012495
B	20	22	30	30	35	50	50
H	35.5	42	50	50	54	73	73
L	85	105	125	125	145	180	180
A	42	50	70	70	74	100	100
kg / set	1.2	2.0	3.6	3.6	5.8	13.7	13.7

WAKS

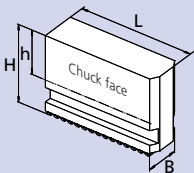
Wide soft top jaws



Chuck	HG-N 160	HG-N 210	HG-N 260	HG-N 315	HG-N 400	HG-N 500	HG-N 630
Jaw type	WAKS 140-10	WAKS 200-30	WAKS 250-20	WAKS 250-30	WAKS 400-30	WAKS 500-30	WAKS 500-30
Id. No.	012496	012497	012498	012499	012500	012501	012501
B	35	40	60	80	80	90	90
H	35.5	36	55	55	64	73	73
L	63	70	90	90	100	130	130
A	25	27	44	44	44	65	65
kg / set	1.5	1.9	6.2	8.5	11.0	16.4	16.4

UVB

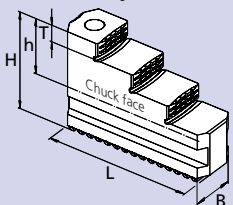
Soft monoblock jaws



Chuck	HG-N 160	HG-N 210	HG-N 260	HG-N 315	HG-N 400	HG-N 500	HG-N 630
Jaw type	UVB 160	UVB 200	UVB 250	UVB 315	UVB 400	UVB 500	UVB 630
Id. No.	012447	012448	012449	012450	012451	012452	012453
B	20	22	26	32	32	45	45
H	60	70	90	100	100	134	134
h	39.4	45	61	66	66	87	87
L	69	83	108	119	146.5	175	230
kg / set	1.8	2.8	5.5	8.2	10	23	30

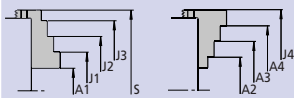
GST

Hardened stepped monoblock jaws



Chuck	HG-N 160	HG-N 210	HG-N 260	HG-N 315	HG-N 400	HG-N 500	HG-N 630
Jaw type	GST 170	GST 210	GST 260	GST 315	GST 400	GST 500	GST 500
Id. No.	035867	035863	037623	012457	012458	012459	012459
B	20	22	26	32	32	45	45
H	43.5	51	60	66	70	93	93
h	22	26	31.3	32	36	46	46
L	67	84	100	116.2	136.4	175	175
T	7	8	10	10	11	20	20
kg / set	0.82	1.4	2.23	3.48	4.4	11.47	11.47
A1	6-59	10-96	10-98	20-115	53-173	65-195	153-313
A2	42-89	56-130	62-150	85-180	116-238	160-285	241-401
A3	73-120	96-170	111-200	140-235	184-308	310-435	391-551
A4	104-151	136-210	161-250	195-290	252-378	-	-
J1	44-78	70-147	63-149	80-170	118-243	-	-
J2	74-110	109-187	112-199	135-225	186-310	170-295	254-414
J3	105-141	149-228	161-249	190-282	253-378	320-445	404-564
J4	135-182	186-260	212-300	255-350	328-448	-	-
S	198	244	303	350	456	540	660

Clamping ranges



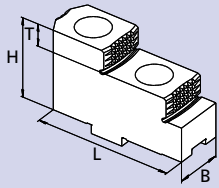
JAWS-CATALOG

Request or download:
www.smw-autoblok.de

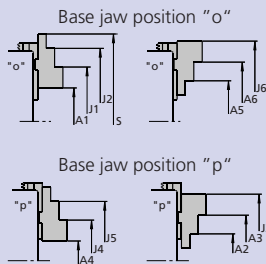


QUICK JAW CHANGE

GUA
Hardened reversible stepped top jaws



Clamping ranges



Chuck	HG-N 160	HG-N 210	HG-N 260	HG-N 315	HG-N 400	HG-N 500	HG-N 630
Jaw type	GUA 160	GUA 200	GUA 250	GUA 250	GUA 400	GUA 500	GUA 500
Id. No.	012484	012485	012486	012486	012487	012488	012488
B	20	22	30	30	36	45	45
H	36.5	38	50	50	56	70	70
L	63	72	90	90	105	130	130
T	7.5	10	14	14	15	20	20
kg / set	0.6	0.8	1.9	1.9	3.2	10.8	10.8
A1	32-69	55-111	73-161	120-205	138-258	150-308	265-469
A2	60-98	69-125	45-101	48-120	78-188	37-181	58-262
A3	85-123	96-152	125-181	130-200	186-298	144-302	179-383
A4	13-51	17-73	20-97	36-188	60-183	33-191	65-269
A5	78-116	104-163	76-165	120-205	143-268	143-301	258-462
A6	103-141	131-190	156-245	205-285	253-378	264-422	379-583
J1	91-129	117-174	152-240	202-285	218-338	259-417	374-578
J2	116-154	144-201	233-321	280-365	328-448	380-538	495-699
J3	144-181	158-215	204-259	208-280	263-380	253-411	288-492
J4	74-111	80-136	101-177	110-200	138-263	139-297	174-378
J5	99-136	107-163	180-257	198-280	248-373	260-418	295-499
J6	162-200	193-253	235-323	276-365	333-458	373-531	488-692
S	198	196-253/255	333	390	-	570	732



JAWS-CATALOG
Request or download:
www.smw-autoblok.de

Important for maintenance and safe operation, to be ordered with the chuck

Grease KO5®

Special grease for manual and power chucks



Cartridge 14 Oz. (DIN 1284)
Grease content 500 g
Id. No. 016440



Can 1000 g
Id. No. 011881

- High adhesion
- High resistance against coolant
- High load bearing capacity
- Low friction coefficient
- Avoids tribocorrosion

Grease gun

Grease gun (DIN 1283) for cartridges 14 Oz. (DIN 1284)



Lubrication set Id. No. 083726

- Supply range
- Grease gun
 - 1 Adapter flexible for high pressure grease nipple
 - 1 Adapter for cone grease nipple

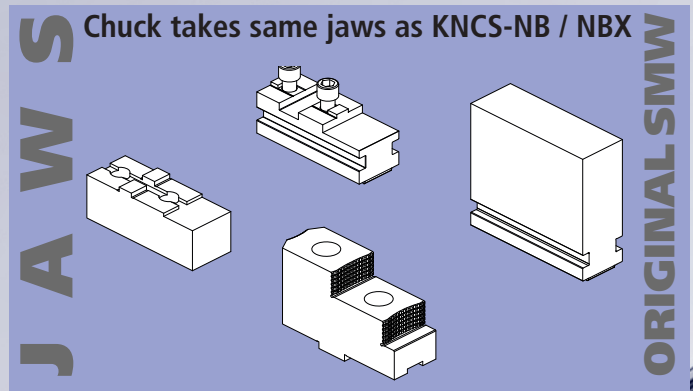
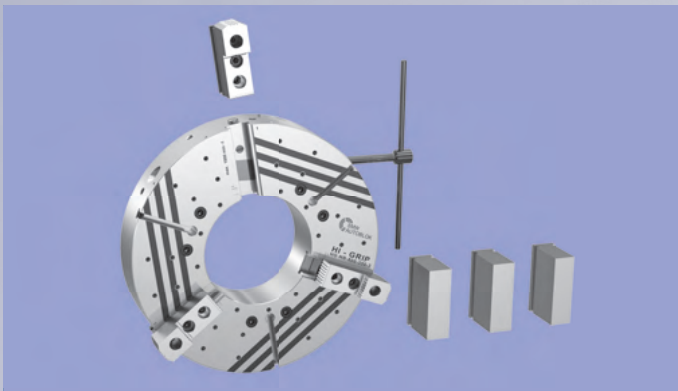
Fast changeover, fast payback:

The original quick jaw change manual chuck

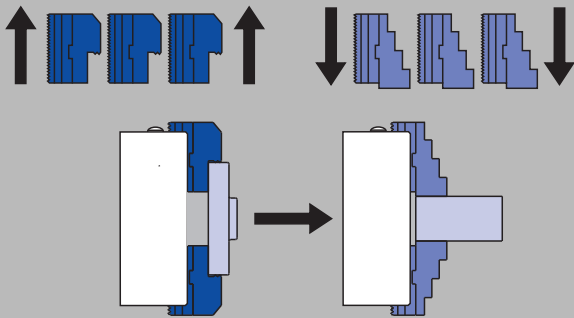
HG-NB

EXTRA LARGE THROUGH-HOLE

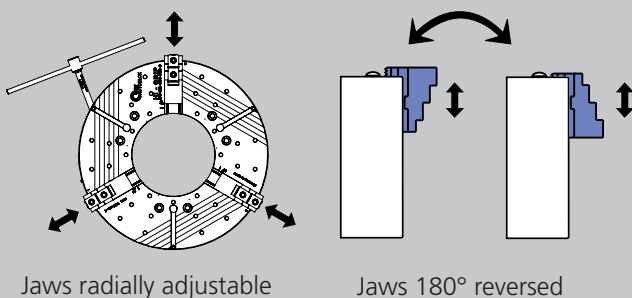
▶ ALL EXISTING TOP JAWS CAN BE USED



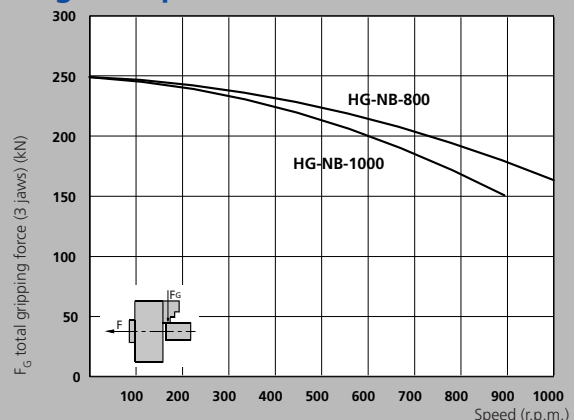
■ Jaw change in less than 1 minute



■ Universal, because jaws can be radially adjusted and reversed = less jaw sets



Flat gripping force curve for highest speeds



- The max. gripping force is the total, acting on the 3 jaws, obtained by applying to the chuck the max. allowed driving torque. The data refers to a chuck newly maintained according to their service manual, using SMW K05 grease.
- The dynamic gripping forces have been measured using hardened standard stepped monoblock jaws placed in a position not exceeding the outer diameter of the chuck.

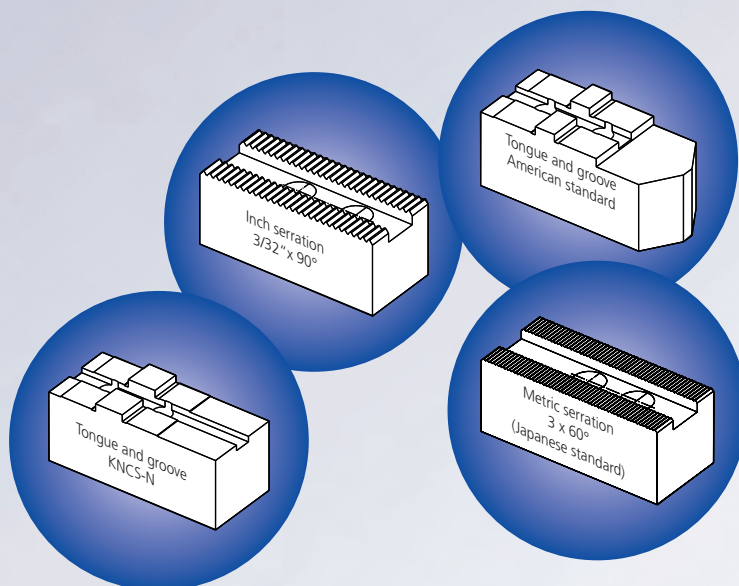
⚠ Safety advice / danger of damage:

When using taller / heavier jaws and / or clamping on a more external position reduce driving torque / rotating speed accordingly.

Less costs by using all existing top jaws from:

- SMW-AUTOBLOK
- Autoblok
- Buck
- Forkardt
- Gamet
- Howa
- Kitagawa
- Logansport
- Mario Pinto
- Matsumoto
- Pratt Burnerd
- Röhms
- Rotomors
- Schunk
- Berg
- Woodworth

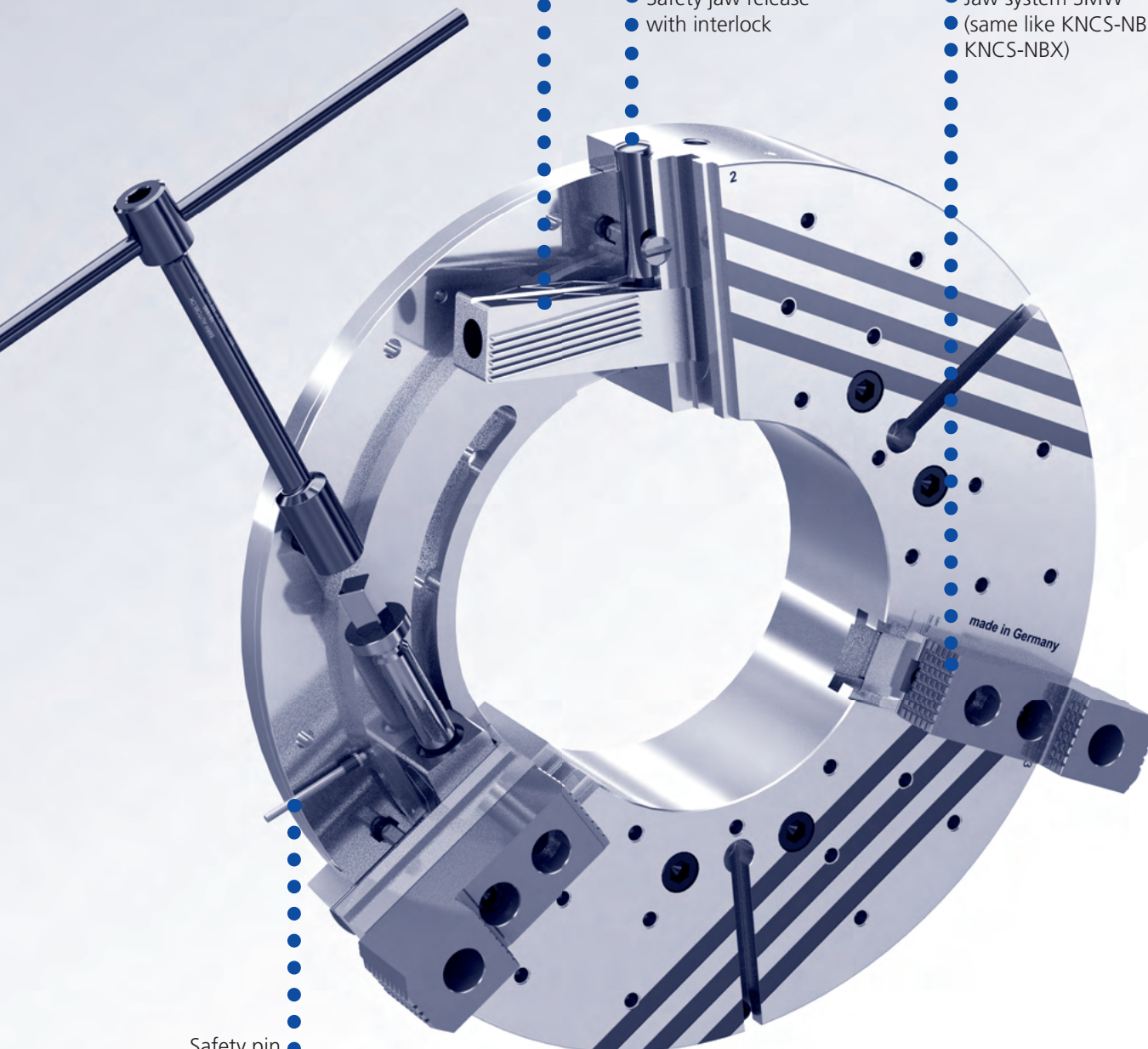
If your jaw type is not included, please contact us.



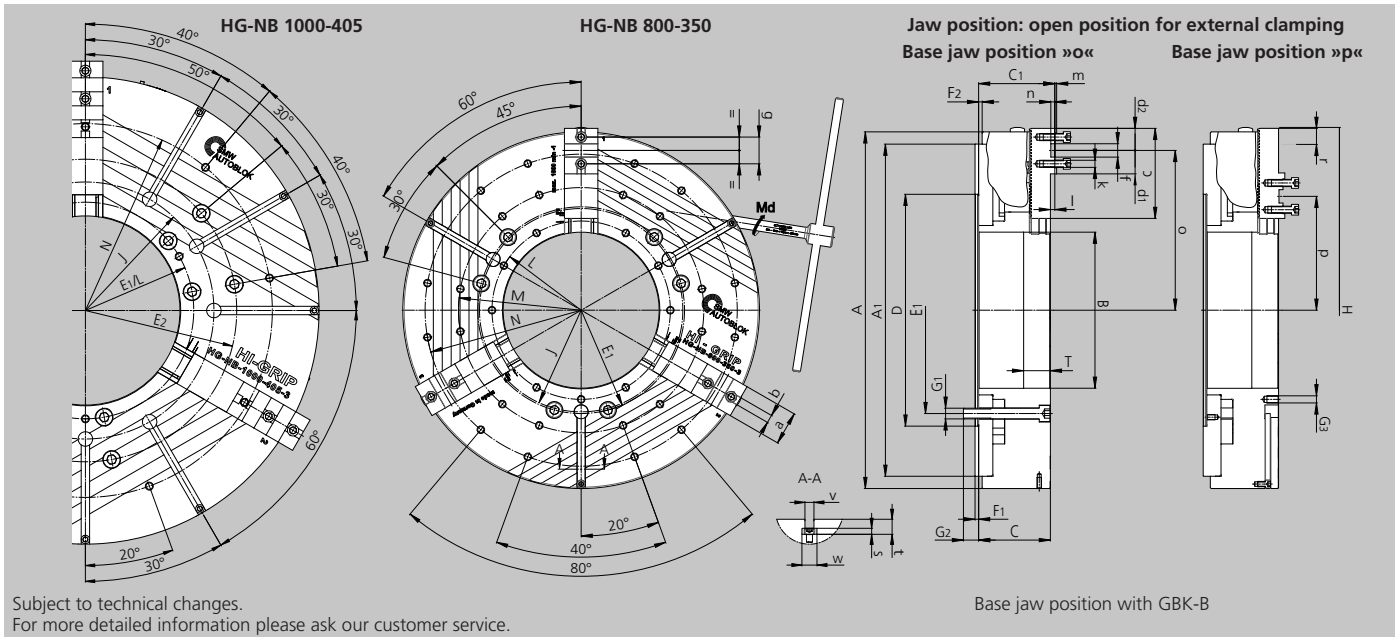
Wedge bar design
guarantees highest precision,
concentricity and repeatability
as well as highest
gripping forces

● Safety jaw release
with interlock

● Jaw system SMW
(same like KNCS-NB /
KNCS-NBX)



● Safety pin
indicates correct
jaw stroke position



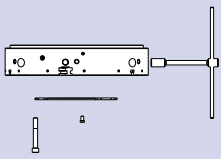
Subject to technical changes.
For more detailed information please ask our customer service.

SMW-AUTOBLOK Type		HG-NB 800-350	HG-NB 1000-405
Mounting	Size	Z520	Z720
	A	800	1000
	A1	745	880
	B	350	405
	C	161	161
	C1	171	171
	D	520	720
	E1	463.6	463.6
	E2	-	647.6
	F1	8	8
	F2	8	8
	G1	M24 (6x)	M24 (12x)
	G2	34	34
Threads front face	G3	M16 (33x) / 26	M16 (9x) / 25
Swing dia.	H	839	1070
	J	456	550
	L	400	463.6
	M	550	-
	N	700	800
	T	60	60
Base jaw	-	GBK-B 630	GBK-B 800
	a	75	75
	b	18	18
	c	202	286
	d1	52.5	113
	d2	49.5	50.5
	f	30	30
	g	60	60
	k	M16	M16
	l	10	10
	m	4	4
	n	9	9
Max. / min.	o	368.4 / 277.4	478 / 303
Max. / min.	p	265.4 / 174.4	293 / 118
Base jaw tooth pitch	-	7	7
Base jaw offset	r	91	175
Base jaw offset	teeth	13	25
	s	12	12
	t	30	30
	H8 v	18	18
	w	30	30
Usable jaw stroke	mm	13	13.2
Max. total gripping force	kN	250	250
At max. torque Md	Nm	260	260
Speed	r.p.m.	1000	900
Weight without jaws	kg	475	745
Moment of inertia	kg·m ²	45.5	109

HG-NB

QUICK JAW CHANGE
Wide master jaws

Ordering review



Spindle mounting	Size	HG-NB 800-350	HG-NB 1000-405
Centering rim		Z520 161880	Z720 161910

Supply range

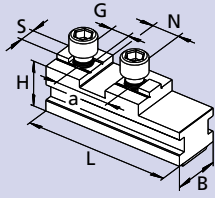
Chuck + actuation wrench + mounting bolts + 1 set of coverplates without base jaws

Base jaw type

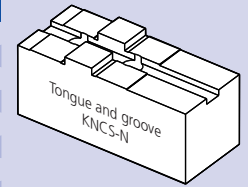
GBK-B

TONGUE & GROOVE KNCS-N standard

Existing top jaw



Chuck	HG-NB 800-350	HG-NB 1000-405
Id. No.	035902	064604
B	75	75
H	57	57
L	202	286
N	30	30 (2x)
S	18	18
G (metric)	M16	M16
a	60	2 x 60

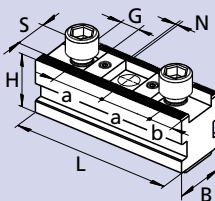


Base jaw type

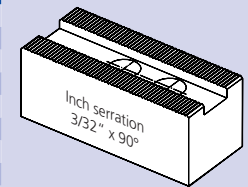
GBK-BD

INCH SERRATED (for SMW-AUTOBLOK standard jaws)

Existing top jaw



Chuck	HG-NB 800-350	HG-NB 1000-405
Id. No.	036295	036296
B	75	75
H	61	61
L	202	286
N	3/32" x 90°	3/32" x 90°
S (ridge)	25.5	25.5
G	M20	M20
a	38 / 38 / 52 / 38	3x38 / 60.7 / 2x38
b	18	17.5

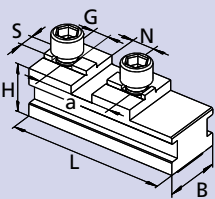


Base jaw type

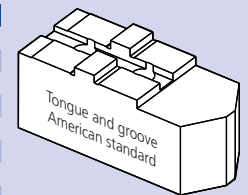
GBK-BA

TONGUE & GROOVE American standard

Existing top jaw



Chuck	HG-NB 800-350	HG-NB 1000-405
Id. No.	060562	064590
B	75	75
H	57	57
L	202	286
N	19.02	19.02 (2x)
S	12.7	12.7
G (inch)	3/4-10	3/4-10
a	76.2	2 x 76.2

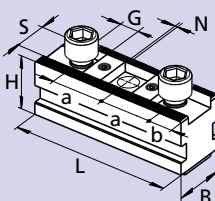


Base jaw type

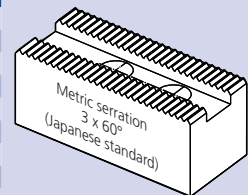
GBK-BM

METRIC SERRATION

Existing top jaw



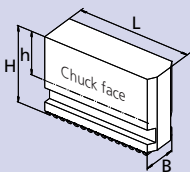
Chuck	HG-NB 800-350	HG-NB 1000-405
Id. No.	035917	036708
B	75	75
H	61	61
L	202	286
N	3 x 60°	3 x 60°
S	25	25
G (metric)	M20	M20
a	2 x 60	60 / 60 / 70.5 / 60
b	18	17.5



Jaw type

UVB-B

Soft wide monoblock jaws



Chuck	HG-NB 800/1000
Jaw type	UVB-B 630
Id. No.	5301060
B	75
H	160
h	105
L	230
kg / set	61.5

JAWS-CATALOG

Request or download:
www.smw-autoblok.de



NEW GENERATION

The sealed quick jaw change manual chuck

HG-2G

► ALL EXISTING TOP JAWS CAN BE USED

Customer Benefits

	HG-N	HG-2G
Minimized set up times due to the quick jaw change system	■	■
Highest accuracy of the jaw change	■	■
Universal applicable	■	■
Case hardened parts	■	■
Wedge bar drive	■	■
Jaw safety interlock	■	■
Ideal for vertical mounting of chuck		■
Sealed wedge bars and base jaws		■
Optimized lubrication in the jaw guides		■
Low maintenance		■

Economic and Efficiency

Example: Maintenance costs at high accumulation of dirt / coolant

	HG-N	HG-2G
Lubrication interval	every shift	every 3rd shift
Required time for lubricating	10 Min.	10 Min.
Working days / year	230	230
Required time / year	2.300 Min.	767 Min.
Machine costs / hour	€ 60.–	€ 60.–
Total costs / year	€ 2.300.–	€ 767.–
Profit / year *	at 1-shift operation	€ 1.533.–
	at 2-shift operation	€ 3.066.–
	at 3-shift operation	€ 4.599.–

* Additionally the profit is increased by reducing the down time of the machine, as the 2G-chucks also need less disassembling for cleaning.

Clamping glossary

HG-2G: Evolution of the quick jaw change power chuck HG-N. The HG-2G features additional seals and an improved lubrication system for low maintenance. **The chuck still offers all the same advantages as the HG-N.**

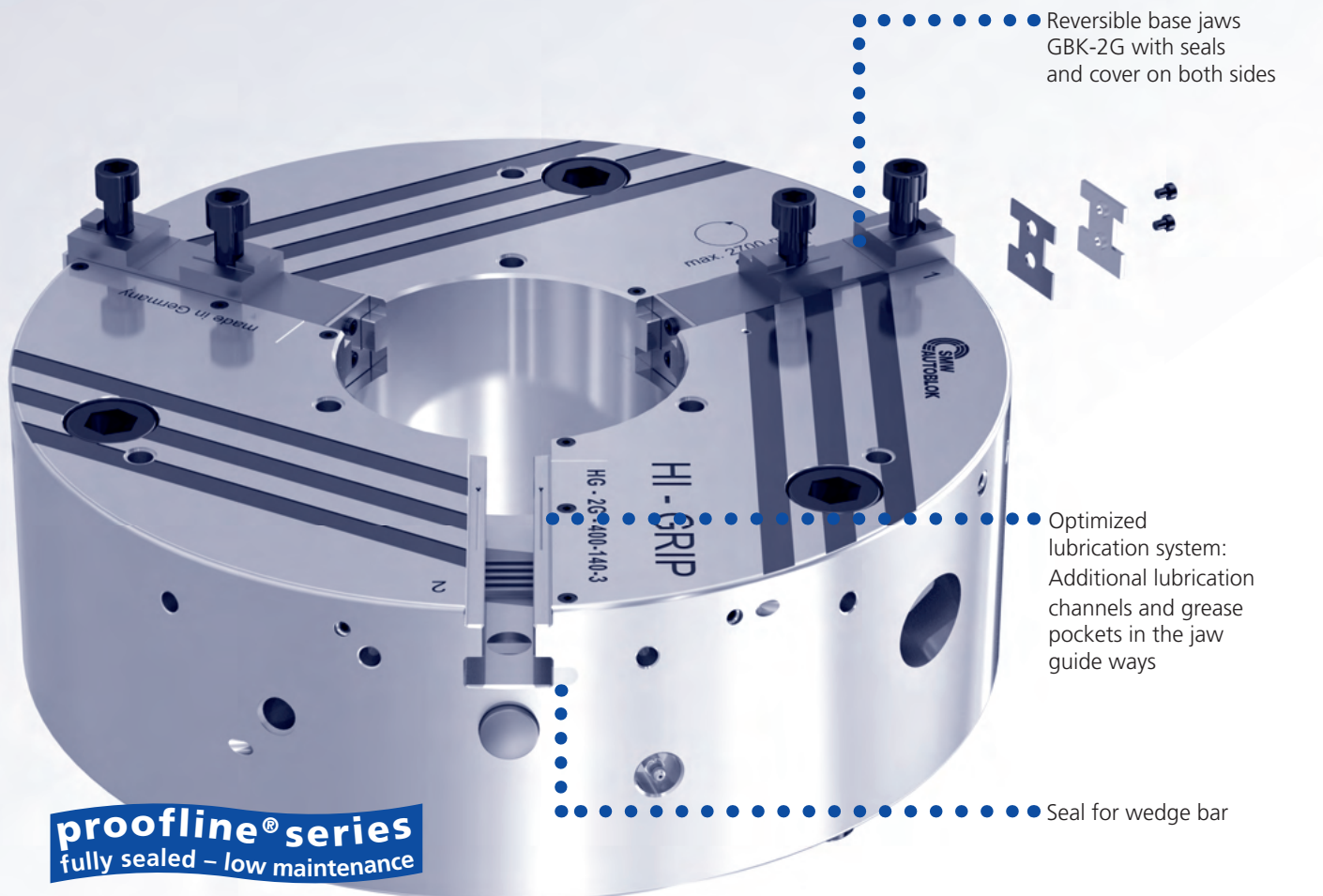
The proven wedge bar drive guarantees unmatched accuracy and rigidity. A low loss of grip force due to centrifugal force makes the chuck ideal for high speed applications.

Sealing: The HG-2G is sealed by seals attached to both faces of the base jaws. Also the wedge bars are protected by mechanical seals. The seals **protect the chuck** against penetration of dirt and swarf.

Low Maintenance: The **lubrication system of the HG-2G is optimized.** Additional lubrication channels and grease pockets integrated in the jaw guide ways ensure constant clamping force. The lubrication intervals are significantly longer reducing down times and cost for maintenance.

Mass production: The sealing and the new lubrication system make the HG-2G also suitable for use on machining centers or turning and milling centers in vertical operation.

Compatibility: The HG-2G is interchangeable with the standard series of quick jaw change chucks HG-N. Existing master jaws still can be used without sealing. A small modification made to the master jaws and a **mounting kit** can upgrade existing master jaws to become 2G master jaws.

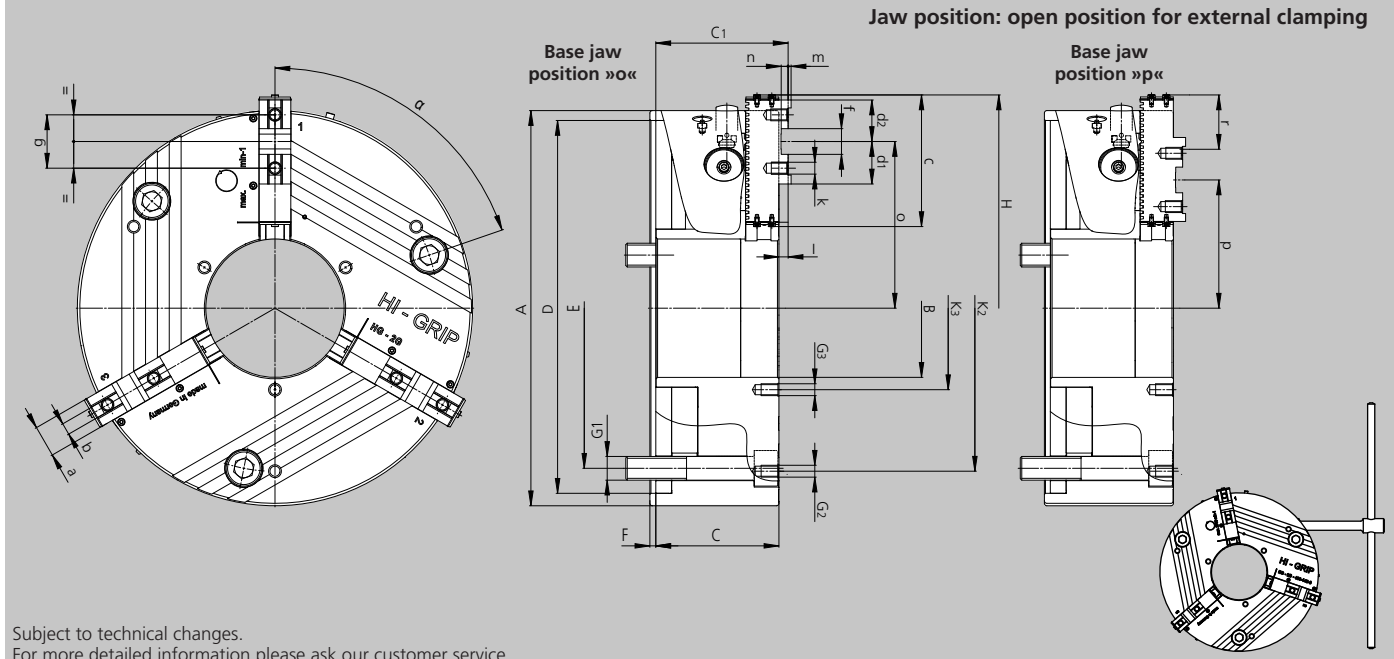


HG-2G

Manual chuck Ø 400 - 630 mm

QUICK JAW CHANGE
Jaw system original SMW

Main dimensions and technical data

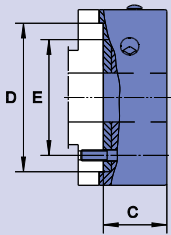


Subject to technical changes.
For more detailed information please ask our customer service.

SMW-AUTOBLOK Type		HG-2G 400-140	HG-2G 500-165	HG-2G 630-254
Mounting	Size	Z380	Z380	Z380
	A	400	500	630
	B	140	165	254
	C	124.6	136	143
	C1	133.9	146	153
	D	380	380	380
	E	330.2	330.2	330.2
	F	6	8	8
	G1	M24	M24	M24
	G2	M12 / 3 x 120°	M16 / 9 x 40°	M16 / 6 x 60°
	G3	M12 / 3 x 120°	M12 / 3 x 120°	M12 / 3 x 120°
Swing dia.	H	432	on request	on request
	K2	330	420	550
	K3	165	195	290
	α	71°	71°	74°
Master jaw		GBK-2G 400	GBK-2G 500	GBK-2G 630
	a	32	45	45
	b	12	18	18
	c	133.2	167.7	209.7
	d1	43	53	53
	d2	42	48.25	49.7
	f	26	30	30
	g	54	60	60
Thread / thread depth	k	M12 / 17	M16 / 34	M16 / 34
	l	9.3	10	10
	m	3	4	4
	n	7	9	9
Max. / min.	o	168.8 / 113.8	211 / 141	291.5 / 200.5
Max. / min.	p	129.8 / 74.8	150 / 80	191.5 / 100.5
Base jaw tooth pitch	-	5.5	7	7
Master jaw offset	r	55	70	91
Master jaw offset	teeth	10	10	13
Usable jaw stroke	mm	8.5	11.5	13
Max. total gripping force	kN	220	250	250
At max. torque Md	Nm	250	260	260
Speed	r.p.m.	2700	1500	1000
Weight without jaws	kg	99	161	270
Moment of inertia	kg·m ²	1.9	4.5	12

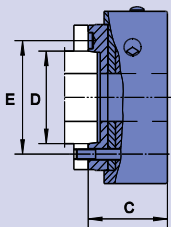
Further sizes on request.

Chuck with center mounting DIN 6350



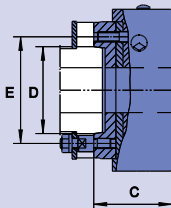
Chuck	HG-2G 400-140		HG-2G 500-165		HG-2G 630-254	
Mounting	Z380		Z380		Z380	
C	125		136		136	
D	380		380		380	
E	330.2		330.2		330.2	
Chuck with GBK-2G + WAK						
Id. No.	161729		161813		161827	
Chuck with GBK-2G + GUA						
Id. No.	161800		161814		161828	

Chuck with ISO-A mounting DIN 55026



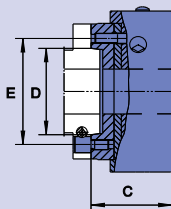
Chuck	HG-2G 400-140		HG-2G 500-165		HG-2G 630-254	
Mounting	A11	A15	A11	A15	A11	A15
C	165	161	176	172	176	172
D	196.88	285.77	196.88	285.77	196.88	285.77
E	235.0	330.2	235.0	330.2	235.0	330.2
Chuck with GBK-2G + WAK						
Id. No.	161801	161807	161815	161821	161829	161835
Chuck with GBK-2G + GUA						
Id. No.	161802	161808	161816	161822	161830	161836

Chuck with bayonet mounting DIN 55027 Type C



Chuck	HG-2G 400-140		HG-2G 500-165		HG-2G 630-254	
Mounting	C11	C15	C11	C15	C11	C15
C	161	161	172	172	172	172
D	196.88	285.77	196.88	285.77	196.88	285.77
E	235.0	330.2	235.0	330.2	235.0	330.2
Chuck with GBK-2G + WAK						
Id. No.	161803	161809	161817	161823	161831	161837
Chuck with GBK-2G + GUA						
Id. No.	161804	161810	161818	161824	161832	161838

Chuck with Camlock mounting DIN 55029 Type S



Chuck	HG-2G 400-140		HG-2G 500-165		HG-2G 630-254	
Mounting	S11	S15	S11	S15	S11	S15
C	175	175	186	186	186	186
D	196.88	285.77	196.88	285.77	196.88	285.77
E	235.0	330.2	235.0	330.2	235.0	330.2
Chuck with GBK-2G + WAK						
Id. No.	161805	161811	161819	161825	161833	161839
Chuck with GBK-2G + GUA						
Id. No.	161806	161812	161820	161826	161834	161840

Parts included: Fixing elements (screws resp. studs resp. camlock bolts).
Further sizes on request.

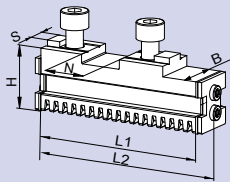
HG-2G

Jaws

QUICK JAW CHANGE

GBK-2G

Hardened base jaws

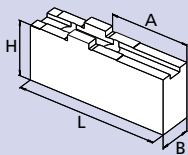


Chuck	HG-2G 400	HG-2G 500	HG-2G 630
Jaw type	GBK-2G 400	GBK-2G 500	GBK-2G 630
Id. No.	161605	161843	161846
B	32	45	45
H	43	57	57
L1	123	158	198
L2 *	133.2	168.2	208.2
N	26	30	30
S	12	18	18
kg / set	3.0	7.1	9.0

* Dimension incl. seals, cover and screws

WAK

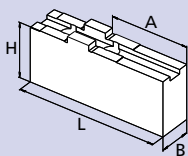
Soft top jaws



Chuck	HG-2G 400	HG-2G 500	HG-2G 630
Jaw type	WAK 400-10	WAK 500-10	WAK 500-10
Id. No.	012494	012495	012495
B	35	50	50
H	54	73	73
L	145	180	180
A	74	100	100
kg / set	5.8	13.7	13.7

WAKS

Wide soft top jaws

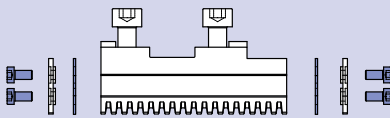


Chuck	HG-2G 400	HG-2G 500	HG-2G 630
Jaw type	WAKS 400-30	WAKS 500-30	WAKS 500-30
Id. No.	012500	012501	012501
B	80	90	90
H	64	73	73
L	100	130	130
A	44	65	65
kg / set	11.0	16.4	16.4

Seal Kit

for hardened base jaws GBK-2G

Consisting of seals (6 pcs.)
and mounting screws (12 pcs.)

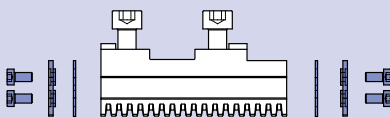


HG-2G	400	500	630
Seal kit type	GBK-2G 400	GBK-2G 500	GBK-2G 630
Id. No.	205385	206915	206915

Mounting Kit

for hardened base jaws GBK-2G

Consisting of seals (6 pcs.), covers (6 pcs.)
and mounting screws (12 pcs.)



HG-2G	400	500	630
Mounting kit type	GBK-2G 400	GBK-2G 500	GBK-2G 630
Id. No.	205389	206916	206916

Advice:

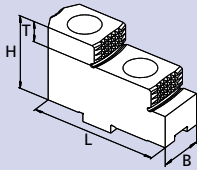
Existing master jaws still can be used without seals. A small modification made to the master jaws and a mounting kit can upgrade existing master jaws to become 2G master jaws (instruction for the rework on request).



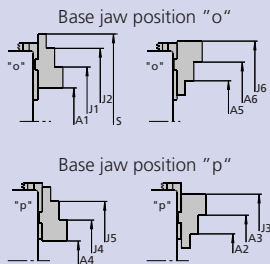
JAWS-CATALOG

Request or
download:
www.smw-autoblok.de

GUA
Hardened reversible stepped top jaws



Clamping ranges



Chuck	HG-2G 400	HG-2G 500	HG-2G 630
Jaw type	GUA 400	GUA 500	GUA 500
Id. No.	012487	012488	012488
B	36	45	45
H	56	70	70
L	105	130	130
T	15	20	20
kg / set	3.2	10.8	10.8
A1	138-258	150-308	265-469
A2	78-188	37-181	58-262
A3	186-298	144-302	179-383
A4	60-183	33-191	65-269
A5	143-268	143-301	258-462
A6	253-378	264-422	379-583
J1	218-338	259-417	374-578
J2	328-448	380-538	495-699
J3	263-380	253-411	288-492
J4	138-263	139-297	174-378
J5	248-373	260-418	295-499
J6	333-458	373-531	488-692
S	-	570	732

JAWS-CATALOG

Request or download:
www.smw-autoblok.de



Important for maintenance and safe operation, to be ordered with the chuck

Grease K05®

Special grease for manual and power chucks



Cartridge 14 Oz. (DIN 1284)
Grease content 500 g
Id. No. 016440

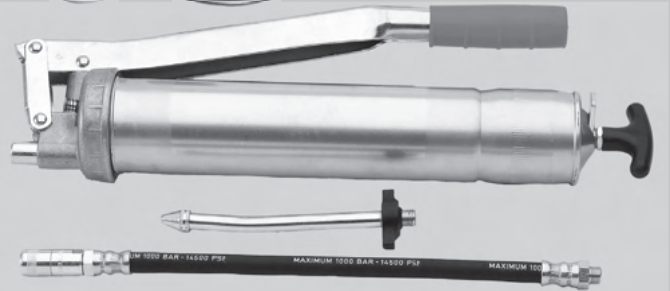
Can 1000 g
Id. No. 011881



- High adhesion
- High resistance against coolant
- High load bearing capacity
- Low friction coefficient
- Avoids tribocorrosion

Grease gun

Grease gun (DIN 1283) for cartridges 14 Oz. (DIN 1284)



Lubrication set Id. No. 083726

Supply range

- Grease gun
- 1 Adapter flexible for high pressure grease nipple
- 1 Adapter for cone grease nipple

NEW GENERATION

The sealed quick jaw change manual chuck

HG-B-2G

► ALL EXISTING TOP JAWS CAN BE USED

Customer benefits

	HG-NB	HG-B-2G
Minimized set up times due to the quick jaw change system	■	■
Highest accuracy of the jaw change	■	■
Universal applicable	■	■
Case hardened parts	■	■
Wedge bar drive	■	■
Jaw safety interlock	■	■
Ideal for vertical mounting of chuck		■
Sealed wedge bars and base jaws		■
Optimized lubrication in the jaw guides		■
Low maintenance		■

Economic and efficiency

Example: Maintenance costs at high accumulation of dirt / coolant

	HG-NB	HG-B-2G
Lubrication interval	every shift	every 3rd shift
Required time for lubricating	10 Min.	10 Min.
Working days / year	230	230
Required time / year	2.300 Min.	767 Min.
Machine costs / hour	€ 60.–	€ 60.–
Total costs / year	€ 2.300.–	€ 767.–
Profit / year *		
	at 1-shift operation	€ 1.533.–
	at 2-shift operation	€ 3.066.–
	at 3-shift operation	€ 4.599.–

* Additionally the profit is increased by reducing the down time of the machine, as the 2G-chucks also need less disassembling for cleaning.

Clamping glossary

HG-B-2G: Evolution of the quick jaw change power chuck HG-NB. The HG-B-2G features additional seals and an improved lubrication system for low maintenance. **The chuck still offers all the same advantages as the HG-NB.**

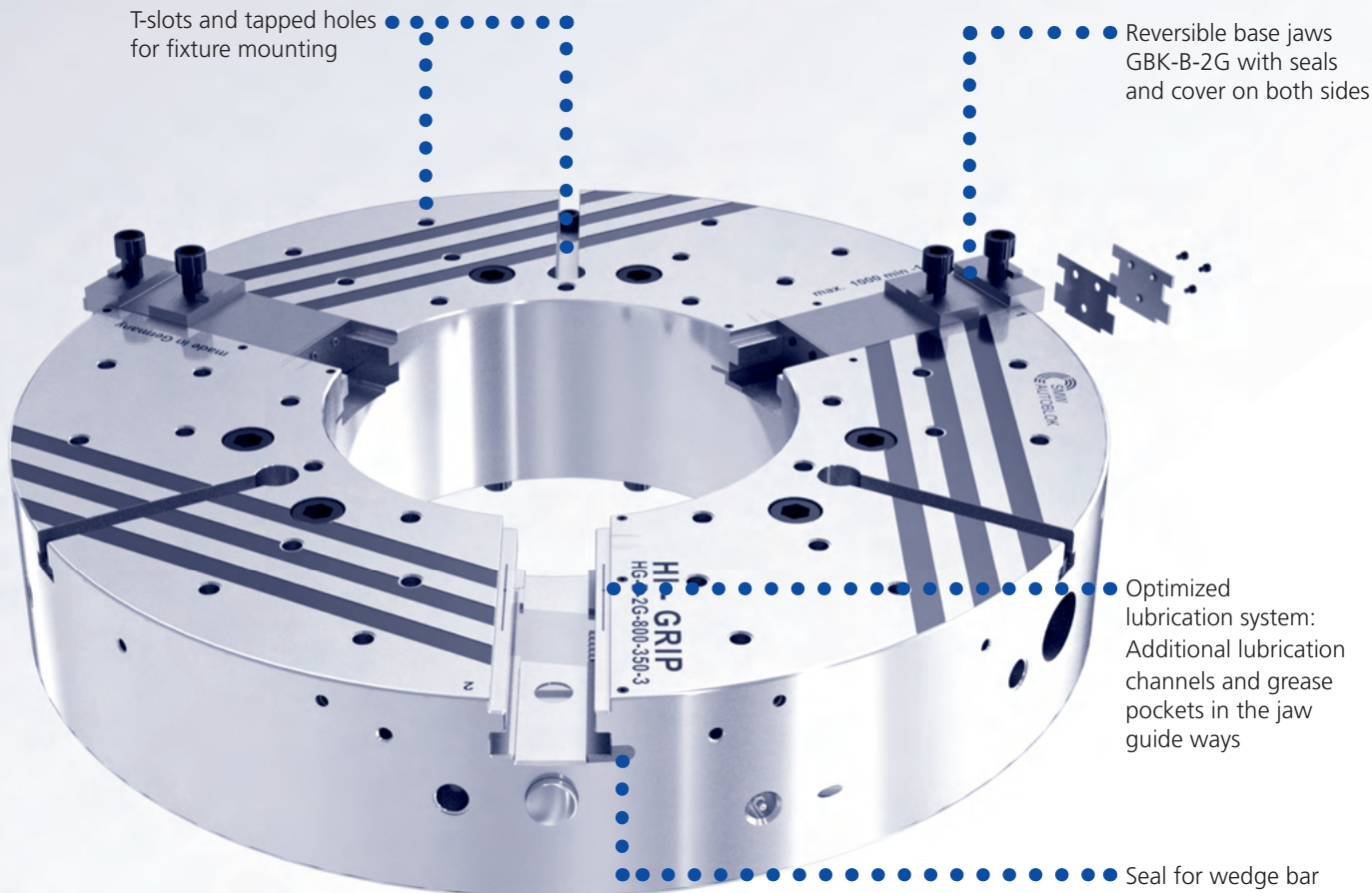
The proven wedge bar drive guarantees unmatched accuracy and rigidity. A low loss of grip force due to centrifugal force makes the chuck ideal for high speed applications.

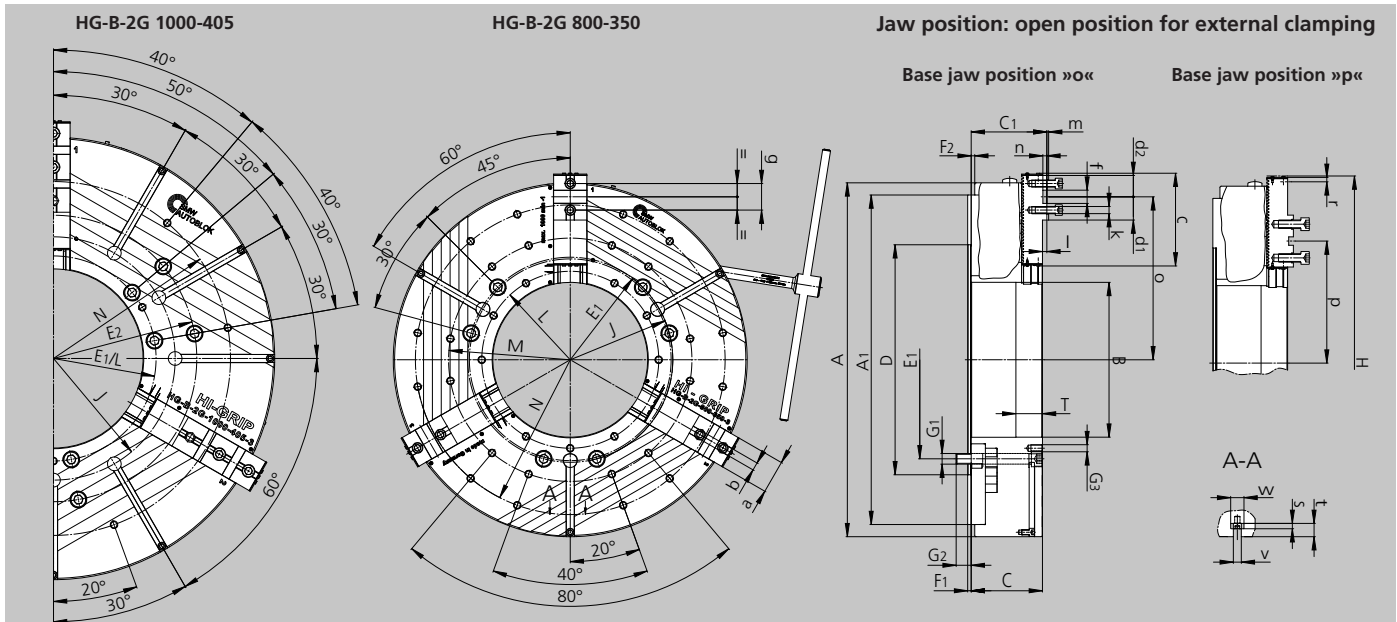
Sealing: The HG-B-2G is sealed by seals attached to both faces of the base jaws. Also the wedge bars are protected by mechanical seals. The seals **protect the chuck** against penetration of dirt and swarf.

Low Maintenance: The lubrication system of the HG-B-2G is **optimized.** Additional lubrication channels and grease pockets integrated in the jaw guide ways ensure constant clamping force. The lubrication intervals are significantly longer reducing down times and cost for maintenance.

Mass production: The sealing and the new lubrication system make the HG-B-2G also suitable for use on machining centers or turning and milling centers in vertical operation.

Compatibility: The HG-B-2G is interchangeable with the standard series of quick jaw change chucks HG-NB. Existing master jaws still can be used without sealing. A small modification made to the master jaws and a **mounting kit** can upgrade existing master jaws to become 2G master jaws.





Subject to technical changes.
For more detailed information please ask our customer service.

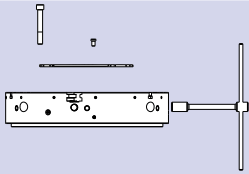
Base jaw position with GBK-B-2G

SMW-AUTOBLOK Type		HG-B-2G 800-350	HG-B-2G 1000-405
Mounting	Size	Z520	Z720
	A	800	1000
	A1	745	880
	B	350	405
	C	161	161
	C1	171	171
	D	520	720
	E1	463.6	463.6
	E2	-	647.6
	F1	8	8
	F2	8	8
	G1	M24 (6x)	M24 (12x)
	G2	34	34
Threads front face	G3	M16 (33x) / 26	M16 (9x) / 25
Swing dia.	H	845	1076
	J	456	550
	L	400	463.6
	M	550	-
	N	700	800
	T	60	60
Base jaw	-	GBK-B-2G 630	GBK-B-2G 800
	a	75	75
	b	18	18
	c	209.7	293.4
	d1	52.5	113
	d2	48.25	49
	f	30	30
	g	60	60
	k	M16	M16
	l	10	10
	m	4	4
	n	9	9
Max. / min.	o	368.4 / 277.4	478 / 303
Max. / min.	p	265.4 / 174.4	353 / 178
Base jaw tooth pitch	-	7	7
Base jaw offset	r	91	175
Base jaw offset	teeth	13	25
	s	12	12
	t	30	30
H8	v	18	18
	w	30	30
Usable jaw stroke	mm	13	13.2
Max. total gripping force	kN	250	250
At max. torque Md	Nm	260	260
Speed	r.p.m.	1000	900
Weight without jaws	kg	475	745
Moment of inertia	kg·m ²	45.5	109

HG-B-2G

QUICK JAW CHANGE
Wide master jaws

Ordering review



Spindle mounting	Size	HG-B-2G 800-350	HG-B-2G 1000-405
Centering rim		Z520 162300	Z720 162340

Supply range

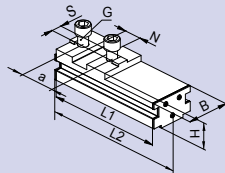
Chuck + actuation wrench + mounting bolts + set of coverplates without base jaws

Base jaw type

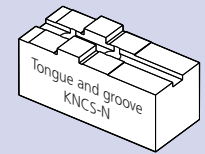
GBK-B-2G

TONGUE & GROOVE KNCS-N standard

Existing top jaw



Chuck	HG-B-2G 800-350	HG-B-2G 1000-405
Id. No.	162316	162319
B	75	75
H	57	57
L1	199.5	283.2
L2 *	209.7	293.4
N	30	30 (2x)
S	18	18
G (metric)	M16	M16
a	60	2 x 60



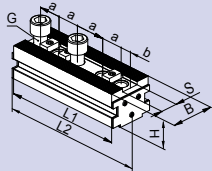
* Dimensions incl. seals, covers and mounting screws

Base jaw type

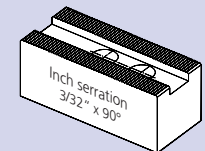
GBK-BD-2G

INCH SERRATED (for SMW-AUTOBLOK standard jaws)

Existing top jaw



Chuck	HG-B-2G 800-350	HG-B-2G 1000-405
Id. No.	162462	162463
B	75	75
H	61	61
L1	199.5	283.5
L2 *	209.7	293.7
N	3/32" x 90°	3/32" x 90°
S (ridge)	25.5	25.5
G	M20	M20
a	38 / 38 / 52 / 38	38 / 38 / 38 / 60.7 / 38 / 38
b	16.75	16.25



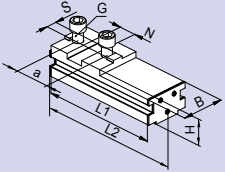
* Dimensions incl. seals, covers and mounting screws

Base jaw type

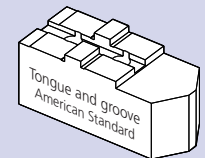
GBK-BA-2G

TONGUE & GROOVE American standard

Existing top jaw



Chuck	HG-B-2G 800-350	HG-B-2G 1000-405
Id. No.	162315	162349
B	75	75
H	57	57
L1	199.5	283.2
L2 *	209.7	293.4
N	19.02	19.02 (2x)
S	12.7	12.7
G (inch)	3/4 - 10	3/4 - 10
a	76.2	2 x 76.2



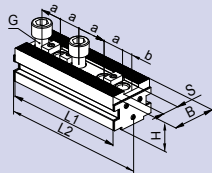
* Dimensions incl. seals, covers and mounting screws

Base jaw type

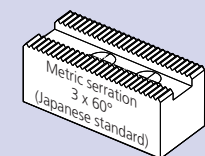
GBK-BM-2G

METRIC SERRATION

Existing top jaw



Chuck	HG-B-2G 800-350	HG-B-2G 1000-405
Id. No.	162464	162465
B	75	75
H	61	61
L1	199.5	283.5
L2 *	209.7	283.7
N	3 x 60°	3 x 60°
S	25	25
G (metric)	M20	M20
a	60 / 60	60 / 60 / 70.5 / 60
b	16.75	16.75



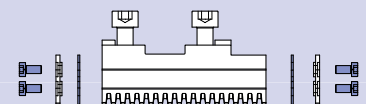
* Dimensions incl. seals, covers and mounting screws

Seal Kit

for hardened base jaws GBK-B-2G / GBK-BD-2G / GBK-BA-2G / GBK-BM-2G

Consisting of seals (6 pcs.) and mounting screws (12 pcs.)

Chuck	HG-B-2G 800-350	HG-B-2G 1000-405
Seal Kit Type	GBK-B-2G 630	GBK-B-2G 800
Id. No.	207673	207673

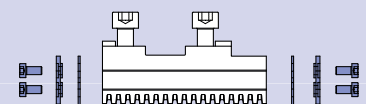


Mounting Kit

for hardened base jaws GBK-B-2G / GBK-BD-2G / GBK-BA-2G / GBK-BM-2G

Consisting of seals (6 pcs.), covers (6 pcs.) and mounting screws (12 pcs.)

Chuck	HG-B-2G 800-350	HG-B-2G 1000-405
Mounting Kit Type	GBK-B-2G 630	GBK-B-2G 800
Id. No.	207674	207674

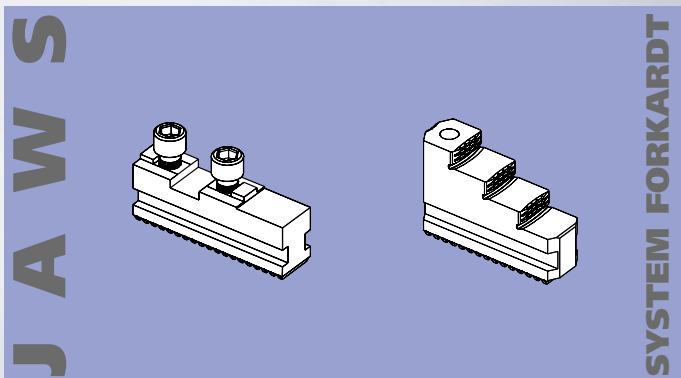


Advice:

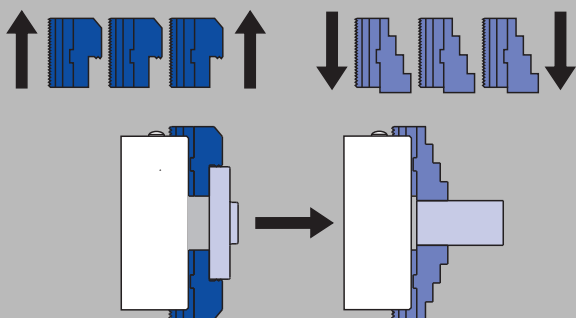
Existing master jaws still can be used without seals. A small modification made to the master jaws and a mounting kit can upgrade existing master jaws to become 2G master jaws (instruction for the rework on request).

Quick jaw change

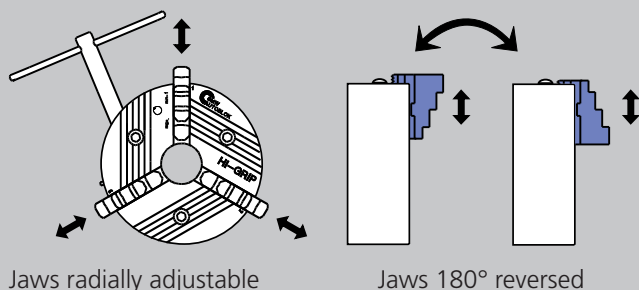
HG-F



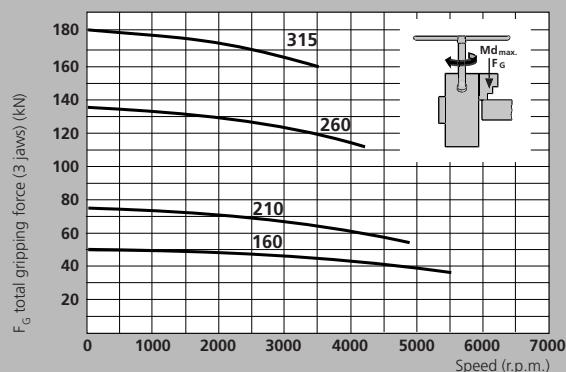
- Jaw change in less than 1 minute



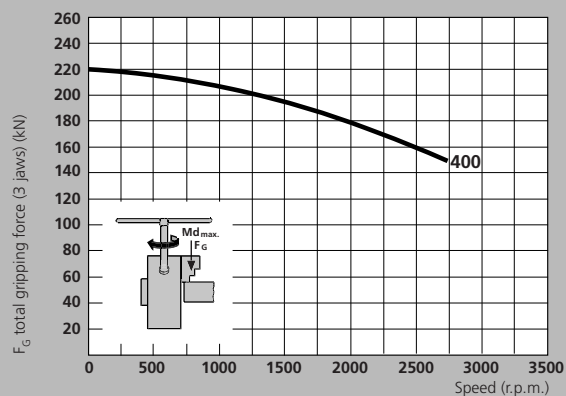
- Universal, because jaws can be radially adjusted and reversed = less jaw sets



Flat gripping force curve for highest speeds



- The max. gripping force is the total, acting on the 3 jaws, obtained by applying to the chuck the max. allowed driving torque. The data refers to a chuck newly maintained accordingly to their service manual, using SMW K05 grease.



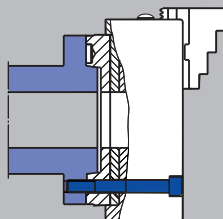
- The dynamic gripping forces have been measured using hardened standard stepped monoblock jaws type GST placed in a position not exceeding the outer diameter of the chuck.

⚠ Safety advice / danger of damage:

When using taller / heavier jaws and / or clamping on a more external position reduce driving torque / rotating speed accordingly.

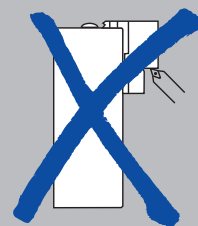
manual chuck HI-GRIP®

Direct mounting



Recess and bolt circle to
DIN 55026 / ISO-A 702/1

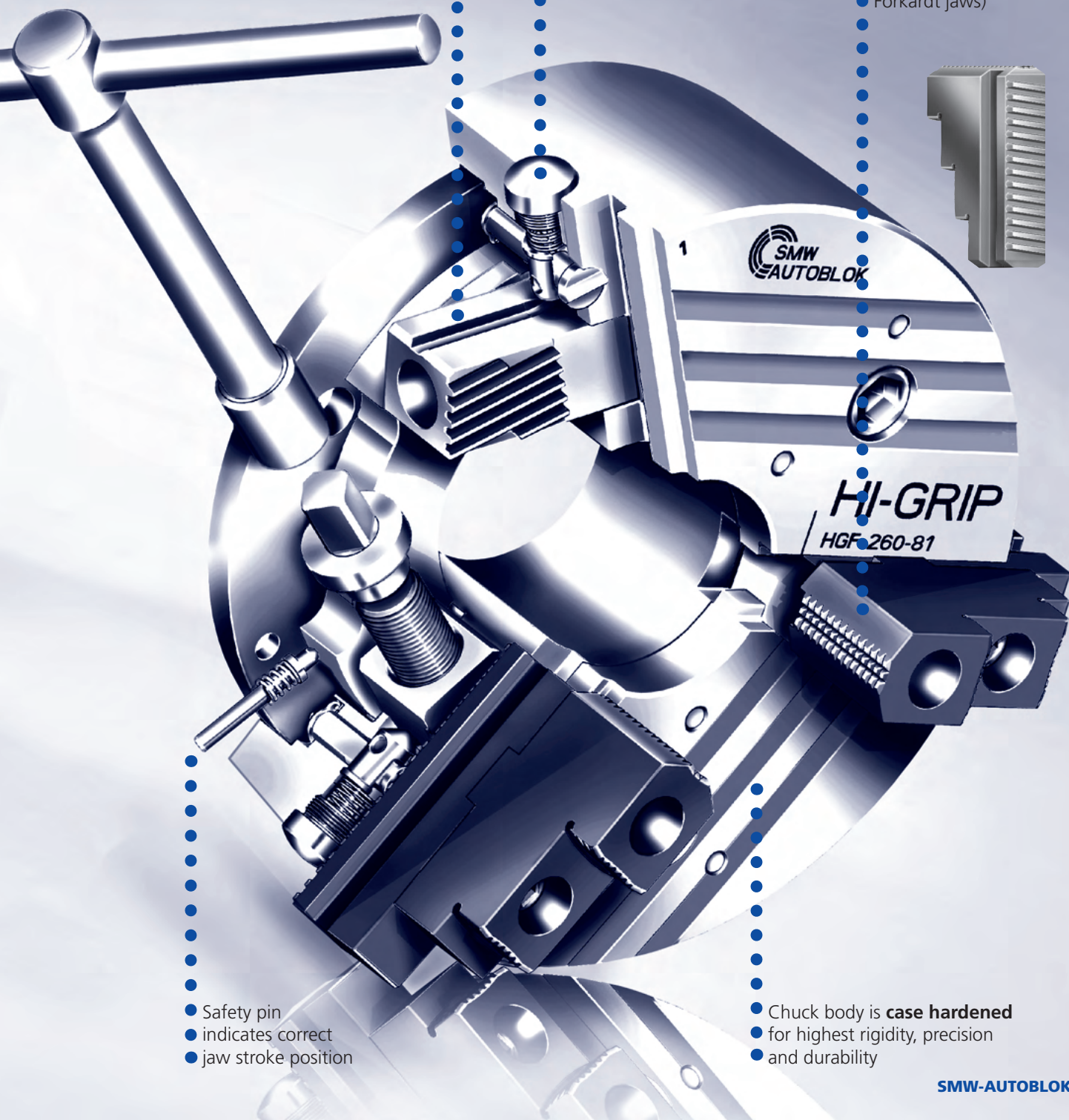
■ No re boring of already machined jaws necessary, because of runout < 0.02 (e.g. HG-F 210)



Wedge bar design guarantees highest precision, concentricity and repeatability as well as highest gripping forces

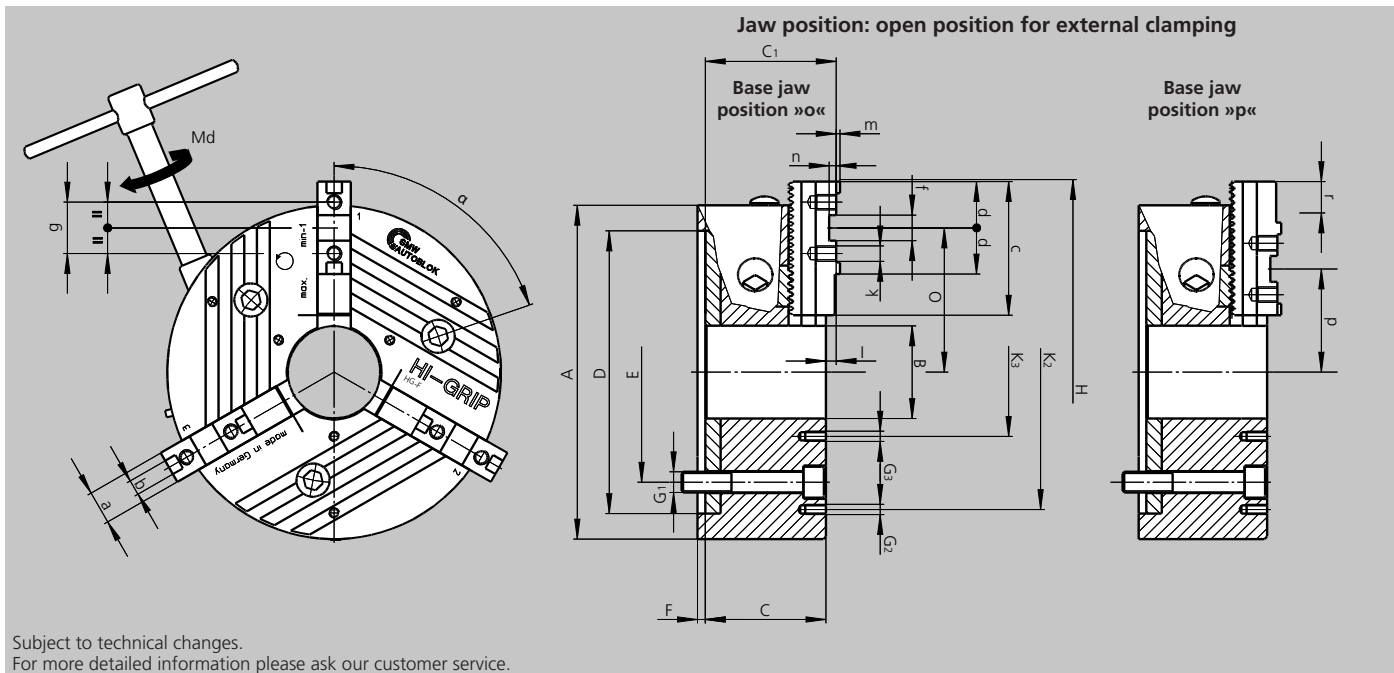
● Safety jaw release with interlock

● Jaw system "F" (compatible with Forkardt jaws)



● Safety pin indicates correct jaw stroke position

● Chuck body is **case hardened** for highest rigidity, precision and durability

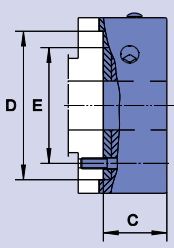


Subject to technical changes.
For more detailed information please ask our customer service.

SMW-AUTOBLOK Type		HG-F 160-46	HG-F 210-60	HG-F 260-81	HG-F 315-102	HG-F 400-128
Mounting	Size	Z140	Z170	Z220	Z300	Z380
H6	A	165	210	260	315	400
	B	46	60	81	102	128
	C	64	85.5	94	111	132
	C1	71	92.7	101.7	120.1	141.9
	D	140	170	220	300	380
	E	104.8	133.4	171.4	235	330.2
	F	5	6	6	6	6
	G1	M10	M12	M16	M20	M24
	G2	-	M10 / 3 x 120°	M10 / 3 x 120°	M10 / 3 x 120°	M12 / 3 x 120°
	G3	M5 / 3 x 120°	M6 / 3 x 120°	M8 / 3 x 120°	M10 / 3 x 120°	M12 / 3 x 120°
Swing dia.	H	195	250	300	372	492
	K2	-	168	210	268	330
	K3	75	75	95	120	160
	α°	68	64	66	65.5	64.5
	β°	-	60	60	55	45
	Master jaw		MFG 160	MFG 200	MFG 250	MFG 315
f7	a	20	22	26	32	45
	b	8	10	12	12	18
	c	74	90	110	125	160
	d	28	33	36	36	50
H7	f	18	20	20	26	30
	g	32	40	40	54	60
Thread / thread depth	k	M8 x 1 / 12	M8 x 1 / 13	M12 x 1.5 / 15	M12 x 1.5 / 17	M16 / 30
	l	6	7.2	7.7	9.3	9.9
	m	2.5	3	3	3	4
	n	5	6	6	8	9
Max. / min.	o	69.5 / 55.1	86.5 / 62	112.2 / 82.4	149 / 93	193.6 / 125.6
Max. / min.	p	51.5 / 37.1	67.3 / 42.8	74.3 / 44.3	103 / 54	134.3 / 66.3
Base jaw tooth pitch	-	4.8	4.9	6	7	8.5
Master jaw offset	r	14.4	24.5	30	56	68
Master jaw offset	teeth	3	5	5	8	8
Usable jaw stroke	mm	5.9	6.2	7.4	9.6	11.4
Max. total gripping force	kN	60	75	130	180	220
At max. torque Md	Nm	80	120	160	200	250
Speed	r.p.m.	5500	4800	4200	3500	2700
Weight without jaws	kg	8.3	19	32	53	103
Moment of inertia	kg·m ²	0.03	0.09	0.25	0.60	1.9

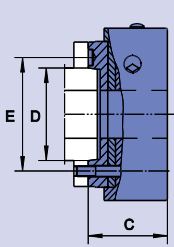
Ordering review

Chuck with center mounting DIN 6350



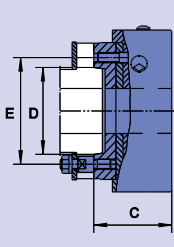
Chuck	HG-F 160-46		HG-F 210-60		HG-F 260-81		HG-F 315-102		HG-F 400-128	
Mounting	Z140		Z170		Z220		Z300		Z380	
C	64		85.5		94		111		132	
D	140		170		220		300		380	
E	104.8		133.4		171.4		235		330.2	
Chuck with MFG + WAK										
Id. No.	090521		090026		090058		090090		090122	
Chuck with FST										
Id. No.	090523		090028		090060		090092		090124	
Chuck with MFG + GUA										
Id. No.	090522		090027		090059		090091		090123	

Chuck with ISO-A mounting DIN 55026



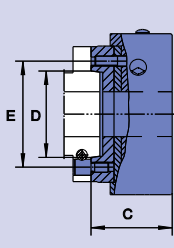
Chuck	HG-F 160-46		HG-F 210-60			HG-F 260-81		HG-F 315-102		HG-F 400-128	
Mounting	A4	A5	A5	A6	A8	A6	A8	A8	A11	A11	A15
C	84	79	109.5	107.5	125.5	118	119	141	141	168	168
D	63.51	82.56	82.56	106.39	139.73	106.39	139.73	139.73	196.88	196.88	285.77
E	82.6	104.8	104.8	133.4	171.4	133.4	171.4	171.4	235.0	235.0	330.2
Chuck with MFG + WAK											
Id. No.	090524	090527	090543	090030	090034	090062	090066	090094	090098	090126	090130
Chuck with FST											
Id. No.	090526	090529	090545	090032	090036	090064	090068	090096	090100	090128	090132
Chuck with MFG + GUA											
Id. No.	090525	090528	090544	090031	090035	090063	090067	090095	090099	090127	090131

Chuck with bayonet mounting DIN 55027 Type C



Chuck	HG-F 160-46		HG-F 210-60			HG-F 260-81		HG-F 315-102		HG-F 400-128	
Mounting	C4	C5	C5	C6	C8	C6	C8	C8	C11	C11	C15
C	84	84	107.5	107.5	125.5	119	119	141	141	168	168
D	63.51	82.56	82.56	106.39	139.73	106.39	139.73	139.73	196.88	196.88	285.77
E	85	104.8	104.8	133.4	171.4	133.4	171.4	171.4	235.0	235.0	330.2
Chuck with MFG + WAK											
Id. No.	090530	090533	090546	090038	090042	090070	090074	090102	090106	090134	090138
Chuck with FST											
Id. No.	090532	090535	090548	090040	090044	090072	090076	090104	090108	090136	090140
Chuck with MFG + GUA											
Id. No.	090531	090534	090547	090039	090043	090071	090075	090103	090107	090135	090139

Chuck with camlock mounting DIN 55029 Type S



Chuck	HG-F 160-46		HG-F 210-60			HG-F 260-81		HG-F 315-102		HG-F 400-128	
Mounting	S4	S5	S5	S6	S8	S6	S8	S8	S11	S11	S15
C	92	92	118.5	118.5	125.5	132	132	154	154	182	182
D	63.51	82.56	82.56	106.39	139.73	106.39	139.73	139.73	196.88	196.88	285.77
E	82.6	104.8	104.8	133.4	171.4	133.4	171.4	171.4	235.0	235.0	330.2
Chuck with MFG + WAK											
Id. No.	090536	090539	090549	090046	090050	090078	090082	090110	090114	090142	090146
Chuck with FST											
Id. No.	090538	090541	090551	090048	090052	090080	090084	090112	090116	090144	090148
Chuck with MFG + GUA											
Id. No.	090537	090540	090550	090047	090051	090079	090083	090111	090115	090143	090147

Parts included: Fixing elements (screws resp. studs resp. camlock bolts).

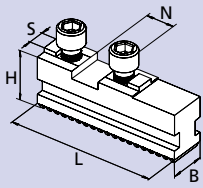
HG-F

QUICK JAW CHANGE
Jaw system Forkardt

Jaws

MFG

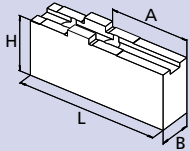
Hardened base jaws



Chuck	HG-F 160	HG-F 210	HG-F 260	HG-F 315	HG-F 400
Jaw type	MFG 160	MFG 200	MFG 250	MFG 315	MFG 400
Id. No.	081303	081304	081305	081306	081307
B	20	22	26	32	45
H	29.5	35	40	46	55
L	74	90	110	125	160
N	18	20	20	26	30
S	8	10	12	12	18
kg / set	0.8	1.2	2.0	3.3	7.3

WAK

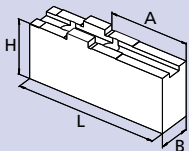
Soft top jaws



Chuck	HG-F 160	HG-F 210	HG-F 260	HG-F 315	HG-F 400
Jaw type	WAK 160-10	WAK 200-10	WAK 250-10	WAK 400-10	WAK 500-10
Id. No.	012491	012492	012493	012494	012495
B	20	22	30	35	50
H	35.5	42	50	54	73
L	85	105	125	145	180
A	42	50	70	74	100
kg / set	1.2	2.0	3.6	5.8	13.7

WAKS

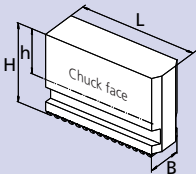
Wide soft top jaws



Chuck	HG-F 160	HG-F 210	HG-F 260	HG-F 315	HG-F 400
Jaw type	WAKS 140-10	WAKS 200-30	WAKS 250-20	WAKS 400-30	WAKS 500-30
Id. No.	012496	012497	012498	012500	012501
B	35	40	60	80	90
H	35.5	36	55	64	73
L	63	70	90	100	130
A	25	27	44	44	65
kg / set	1.5	1.9	6.2	11.0	16.4

BFR

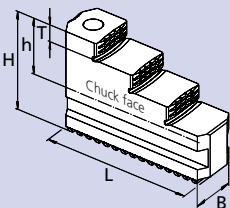
Soft monoblock jaws



Chuck	HG-F 160	HG-F 210	HG-F 260	HG-F 315	HG-F 400
Jaw type	BFR 160	BFR 200	BFR 250	BFR 315	BFR 400
Id. No.	081272	081273	081274	081275	081276
B	20	22	26	32	45
H	45	60	70	81	93
h	24	35	40	46	45
L	79	94	115	140	176
kg / set	1.4	2.6	4.4	7.4	15.4

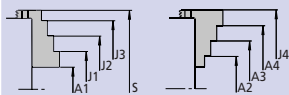
FST

Hardened stepped monoblock jaws



Chuck	HG-F 160	HG-F 210	HG-F 260	HG-F 315	HG-F 400
Jaw type	FST 170	FST 210	FST 250	FST 315	FST 400
Id. No.	081282	081283	081284	081285	081286
B	20	22	26	32	45
H	45	60	70	79	93
h	24	35	40	46	53
L	79	94	114	130	167
T	7.5	1.0	14	15	20
kg / set	1.1	1.9	3.3	5.2	10.8
A1	6-59	10-96	19-99	20-115	48-173
A2	42-89	56-130	76-142	85-180	116-238
A3	73-120	96-170	120-186	140-235	184-308
A4	104-151	136-210	164-230	195-290	252-378
J1	44-78	70-147	81-147	80-170	118-243
J2	74-110	109-187	125-191	135-225	186-310
J3	105-141	149-228	169-235	190-282	253-378
J4	135-182	186-260	211-278	255-350	328-448
S	198	244	280	350	456

Clamping ranges

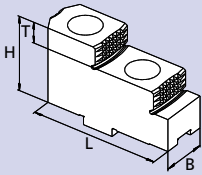


JAWS-CATALOG

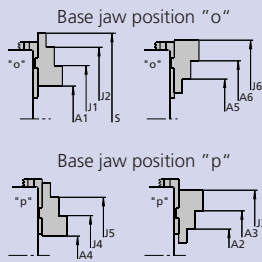
Request or
download:
www.smw-autoblok.de

Jaws ■ Grease

GUA
Hardened reversible
stepped top jaws



Clamping ranges



Chuck	HG-F 160	HG-F 210	HG-F 260	HG-F 315	HG-F 400
Jaw type	GUA 160	GUA 200	GUA 250	GUA 400	GUA 500
Id. No.	012484	012485	012486	012487	012488
B	20	22	30	36	45
H	36.5	38	50	56	70
L	63	72	90	105	130
T	7.5	10	14	15	20
kg / set	0.6	0.8	1.9	3.2	10.8
A1	32-69	55-111	73-161	64-194	108-264
A2	60-98	69-125	45-101	44-108	70-158
A3	85-123	96-152	125-181	156-220	171-259
A4	13-51	17-73	20-97	22-100	24-146
A5	78-116	104-163	76-165	72-202	121-277
A6	103-141	131-190	156-245	134-314	222-378
J1	91-129	117-174	152-240	140-270	223-379
J2	116-154	144-201	233-321	256-382	324-480
J3	144-181	158-215	204-259	323-296	286-374
J4	74-111	80-136	101-177	93-176	138-260
J5	99-136	107-163	180-257	210-288	239-361
J6	162-200	193-253	235-323	260-390	336-492
S	198	196-253/255	333	372	492



JAWS-CATALOG
Request or
download:
www.smw-autoblok.de

**Important for maintenance and safe operation,
to be ordered with the chuck**

Grease K05®

Special grease for
manual and power chucks



Cartridge 14 Oz. (DIN 1284)
Grease content 500 g
Id. No. 016440

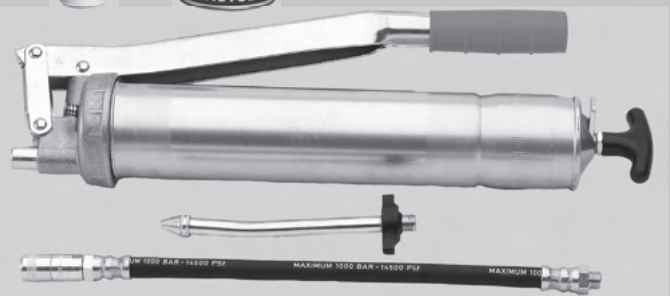
Can 1000 g
Id. No. 011881



- High adhesion
- High resistance against coolant
- High load bearing capacity
- Low friction coefficient
- Avoids tribocorrosion

Grease gun

Grease gun (DIN 1283) for
cartridges 14 Oz. (DIN 1284)



Lubrication set Id. No. 083726

- Supply range
- Grease gun
 - 1 Adapter flexible for high pressure grease nipple
 - 1 Adapter for cone grease nipple

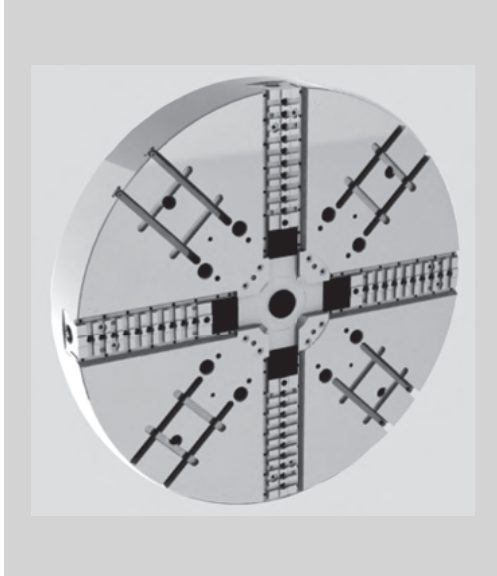
PTF

TONGUE & GROOVE

Manual clamping and radial setting of jaws

High precision 4-jaw independent manual chuck Ø 1000 - 2000 mm

- Closed center
- 4 jaws (all diameters)



Application/customer benefits

- Clamping of large round, square and irregular parts
- Manual, radial setting of component and manual clamping
- Suitable for vertical machines. Strong body and master jaws design and option to easily mount a strong center point
- High gripping force allowed by the strong design, with the option to increase it with a torque multiplier
- Tongue & groove master jaws (type "American Standard")

Technical features

- Manual gripping force applied by a strong and protected screw on a strong and rigid master jaw
- Manual and fine setting of master jaws for workpiece centering
- Protection from contamination with seals along the master jaw profiles
- Possibility to use jaw boxes for manual clamping mounted on the T-slots between the master jaws

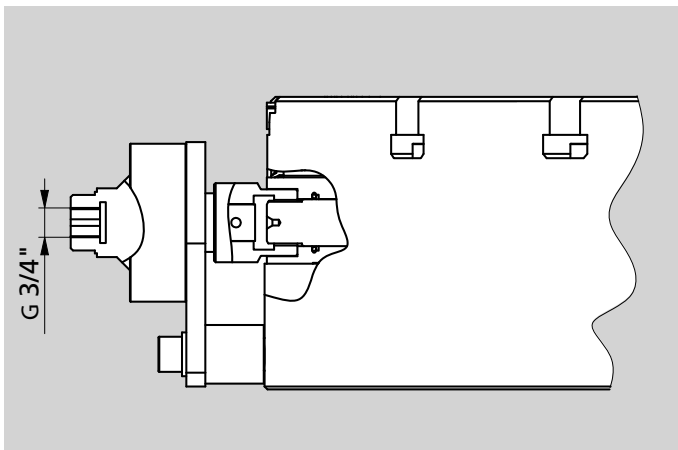
Standard equipment

- 4-jaw independent manual chuck
- 1 set of soft top jaws
- 1 regulation and actuation key
- 1 grease gun and 500g grease

Ordering example

- 4-jaw independent chuck PTF 1600 / Z720
- Id. No. 77137063
- Option: 5:1 torque multiplier
- Id. No. 13506320

Optional: 5:1 torque multiplier

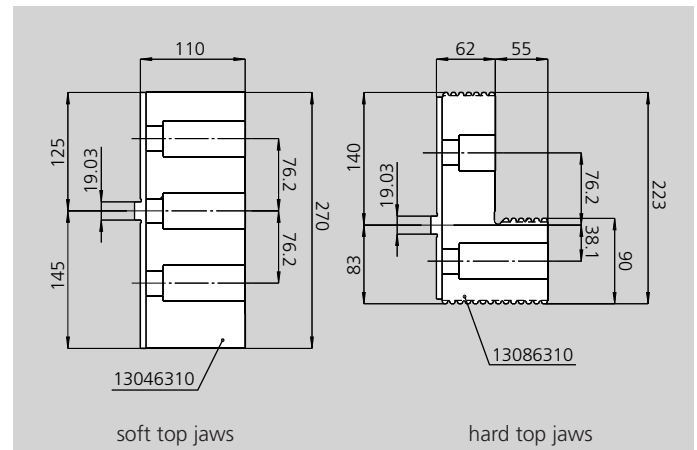


Optional 5:1 torque multiplier

To achieve the maximum gripping force and speed, the easiest and most comfortable way is to use this multiplier that will increase 5 times the input torque.

Id. No. 13506320

Soft and hard top jaws for PTF



Safety advice / danger of damage:

When using taller / heavier jaws and / or clamping on a bigger diameter reduce operating torque / rotating speed accordingly.

Technical data

SMW-AUTOBLOK Type		PTF 1000	PTF 1250	PTF 1400	PTF 1600	PTF 2000
Radial jaw stroke (manual setting)	mm	60	60	60	60	80
Max. manual operating torque	Nm	600	600	700	700	700
Max. total gripping force*	kN	360	360	360	360	360
Max. speed	r.p.m.	550	450	380	340	280
Weight (without top jaws)	kg	730	930	1435	1860	2730
Moment of inertia	kg·m ²	89	183	364	565	1380
Hard top jaw (piece)	Id. No.	13086310	13086310	13086310	13086310	13086310
Soft top jaw (piece)	Id. No.	13046310	13046310	13046310	13046310	13046310
Id. No.		77137039	77137049	77137055	77137063	77137079

* at max. torque.

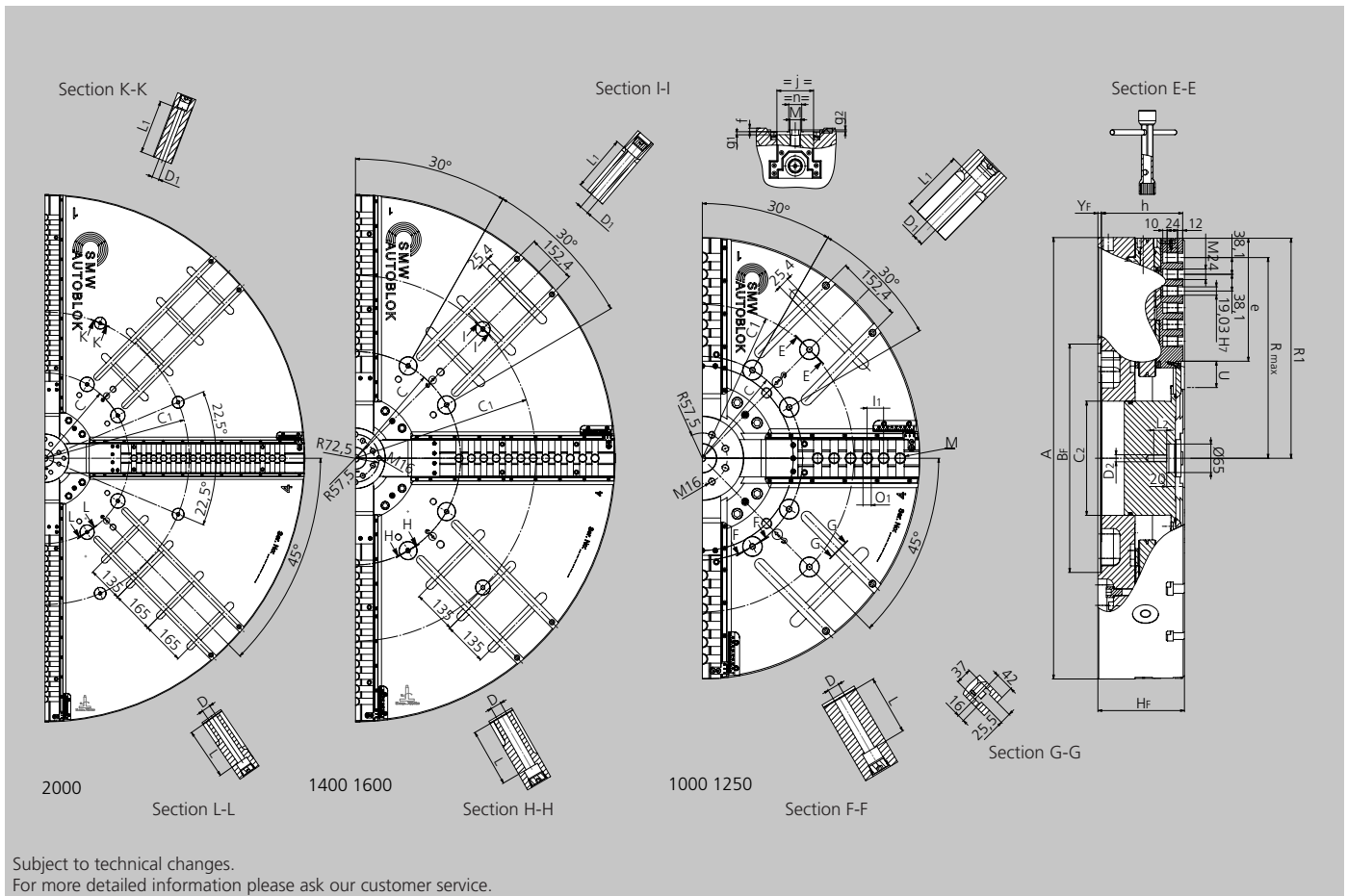
High precision 4-jaw independent manual chuck Ø 1000 - 2000 mm

- Closed center
- 4 jaws (all diameters)

PTF

TONGUE & GROOVE
Manual clamping and radial setting of jaws

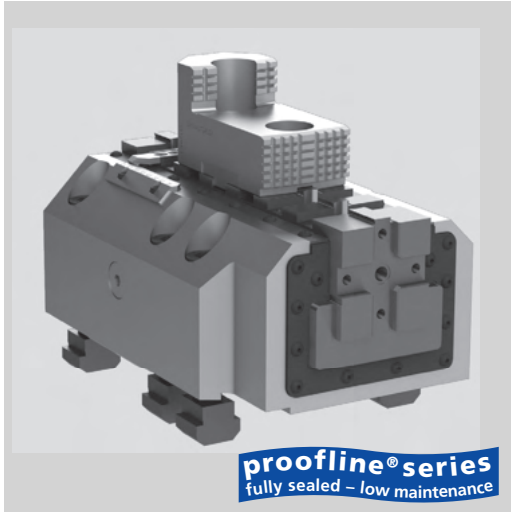
0



Subject to technical changes.
For more detailed information please ask our customer service.

SMW-AUTOBLOK Type			PTF 1000	PTF 1250	PTF 1400	PTF 1600	PTF 2000
Mounting			Z520	Z520	Z720	Z720	Z720
	A	mm	1005	1250	1400	1600	2000
	Bf	H6 mm	520	520	720	720	720
	C	mm	463.6	463.6	647.6	647.6	647.6
	C1	mm	700	700	1110	1110	1110
	C2	mm	260	260	300	300	300
	D	mm	27	27	33	33	33
	D1	mm	27	27	27	27	27
	D2	mm	M16	M16	M24	M24	M24
	Hf	mm	200	200	240	240	260
	L	mm	137	139	177	177	197
	L1	mm	145	145	177	173	205
	L2	mm	30	30	24	24	24
Chuck open	R1	mm	501	623	696	796	996
Chuck open	Rmax	mm	457	563	657	738	914
Radial jaw stroke	U	mm	60	60	60	60	80
	Yf	mm	8	8	8	8	8
	e	mm	280	402	439	536	704
	f	mm	8	8	8	8	8
	g1	mm	7	7	7	7	7
	g2	mm	4	4	4	4	4
	h	mm	188	188	228	228	248
	j	mm	85	85	110	110	110
	l1	mm	38.1	38.1	38.1	38.1	38.1
	m	mm	M24	M24	M24	M24	M24
	n	h8 mm	30	30	30	30	30
	o1	H7 mm	19.03	19.03	19.03	19.03	19.03
Number of "o1" cross grooves			6	9	10	12	16
Number of "m" threads			6	9	11	12	16

- Accessory for face plates, 4 jaws independent manual or other chucks
- Internal or external clamping



Application/customer benefits

- JBX: Standard mounting dimensions for SMW-AUTOBLOK chucks
- JBX-2G: Semifinished body and radial reference key to be adapted by customer
- Manual radial setting and clamping of large components on large plates or chuck
- Added to chucks there is more gripping force to apply a higher torque on the workpiece
- Added to chucks there are more contact points with the workpiece to better distribute the gripping force thus reducing distortion
- Very powerful and accurate clamping allowed by strong design
- Suitable for vertical machines thanks to the fully protected body
- Use of standard hard or soft jaw on top of the master jaw or special frontal jaws on the front side of the master jaw
- TONGUE & GROOVE master jaws (type "American Standard")

Technical features

- Manual gripping force applied by a strong and protected screw on a strong and rigid master jaw
- Manual and fine setting of master jaws for workpiece centering
- Protection from contamination with seals along the master jaw profiles
- Designed to work on SMW-AUTOBLOK large manual or power chucks or on special plates
- Body designed for better chip evacuation

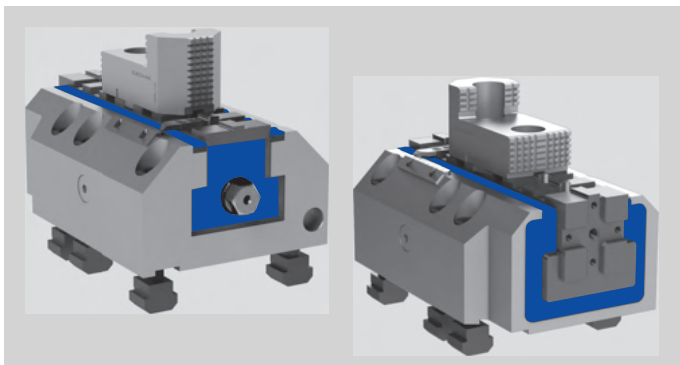
Standard equipment

- Manual jaws box
- 1 radial key
- 6 T-nuts and mounting screws (only JBX)

Ordering example

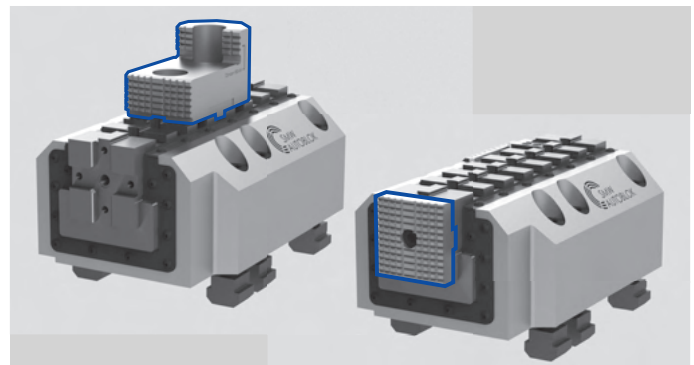
- Qty. 1 / 2 / 3 / 4 manual jaw box JBX 300
- Id. No. 77653003
- Option: Actuation key Id. No. 11122700

Maximum protection



Master jaw protected on each side by steel profiles. Maximum protection from the penetration of chips, swarf, rubber and coolant allows less maintenance, working in bad environments and for a longer operative life.

Flexibility of use



The jaw box can carry both standard or special, hard or soft jaws mounted on the upper side of the master jaw or special jaws mounted on the front side of the master jaw. The jaws on the front side allow optimal clamping in the same axis of the master jaws thus reducing deformation of the jaw and the jaw box. This allows a more rigid and accurate clamping. Also the frontal jaw option increases the flexibility allowing the customer to clamp the component in a very low area where it would be impossible to clamp with traditional jaws mounted on the upper side of the master jaw.

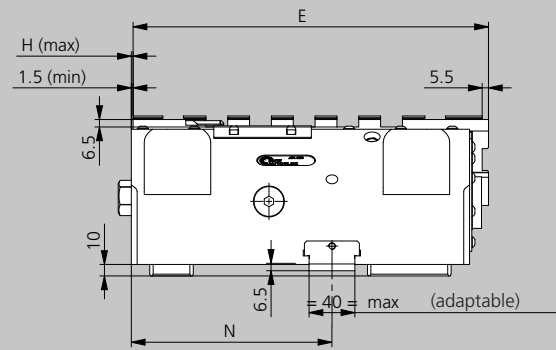
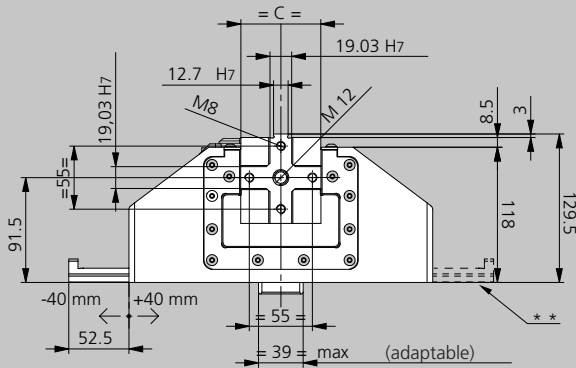
Technical data

SMW-AUTOBLOK Type		JBX 300	JBX-2G 300	JBX-2G 400
Id. No.		77653003	77653009	77654003
Jaw stroke (manual setting)	mm	50	50	100
Max. manual operating torque	Nm	200	200	400
Max. gripping force	kN	50	50	100
Weight (without top jaws)	kg	50	50	90
Hard top jaw (piece)*	Id. No.	12087111	12087111	12087111
Soft top jaw (piece)*	Id. No.	12044050	12044050	12044050
Soft top jaw long (piece)*	Id. No.	12045051	12045051	12045051
Soft top jaw for master jaw front side (piece)*	Id. No.	65653007	65653007	65653007

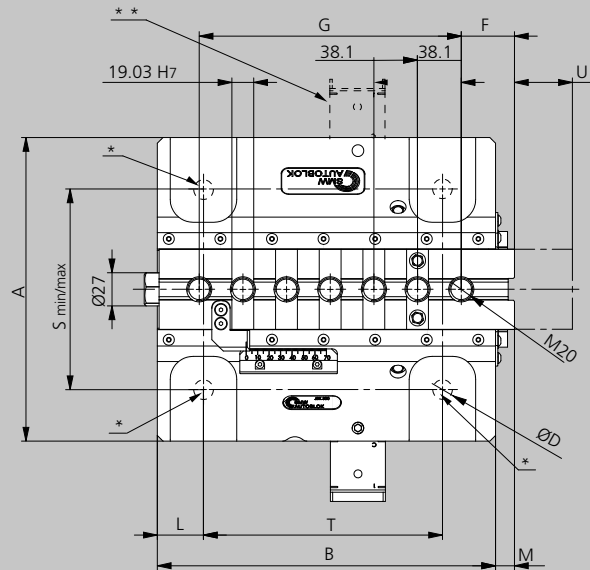
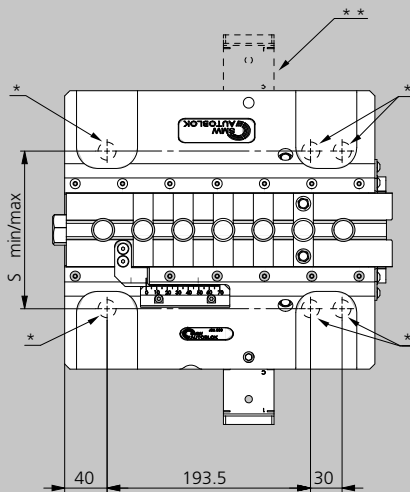
* The soft and tempered jaws are not in scope of delivery, the Id. No. are indicated in the table.

- Accessory for face plates, 4 jaws independent manual or other chucks
- Internal or external clamping

Manual jaw box with semi-finished body



JBX-2G 300



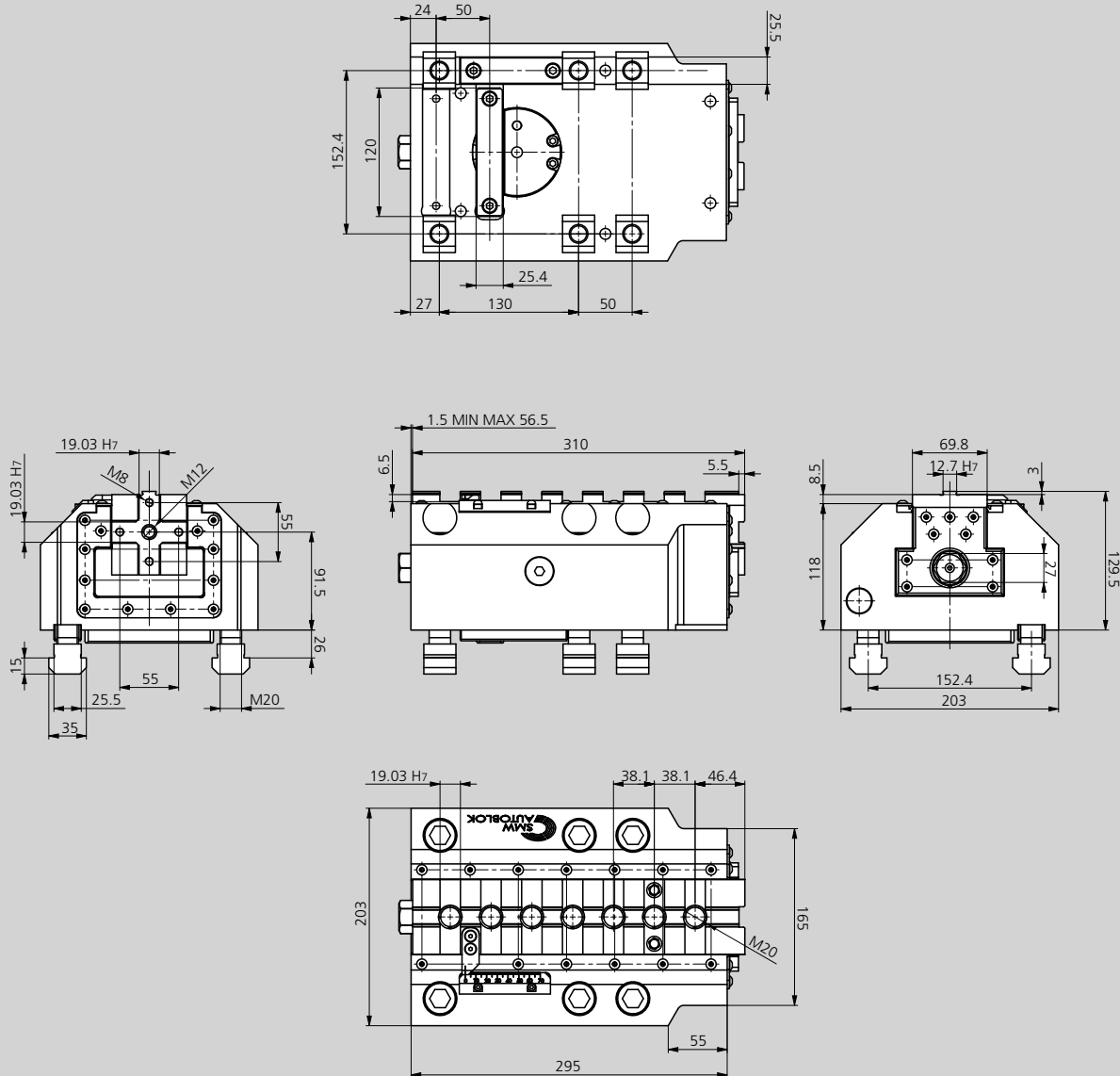
Subject to technical changes.
For more detailed information please ask our customer service.

SMW-AUTOBLOK Type		JBX-2G 300	JBX-2G 400
A	mm	265	310
B	mm	295	380
C	mm	70	80
ØD Min. / max.	mm	17-25	21-31
E	mm	310	395
F	mm	46.4	55.2
G	mm	228.6	304.8
H	mm	51.5	101.5
L	mm	40	57.5
U Stroke	mm	50	100
M	mm	16.5	16.5
N	mm	175	225
S Screws M16-M20 min. *	mm	150	-
S Screws M16-M20 max. *	mm	230	-
S M20-M24 nuts min. *	mm	175	210
S M20-M24 nuts max. *	mm	220	260
S M30 nuts min. *	mm	-	220
S M30 nuts max. *	mm	-	260
T	mm	208.5	250

* All these elements have to be worked according to the needs of the customer. If the customer will make these modifications, they must be approved by the SMW-AUTOBLOK technical office. Before making the modifications, we suggest to request the jaw box 2D or 3D drawing. Note that the minimum screws size must be M16 or M20.

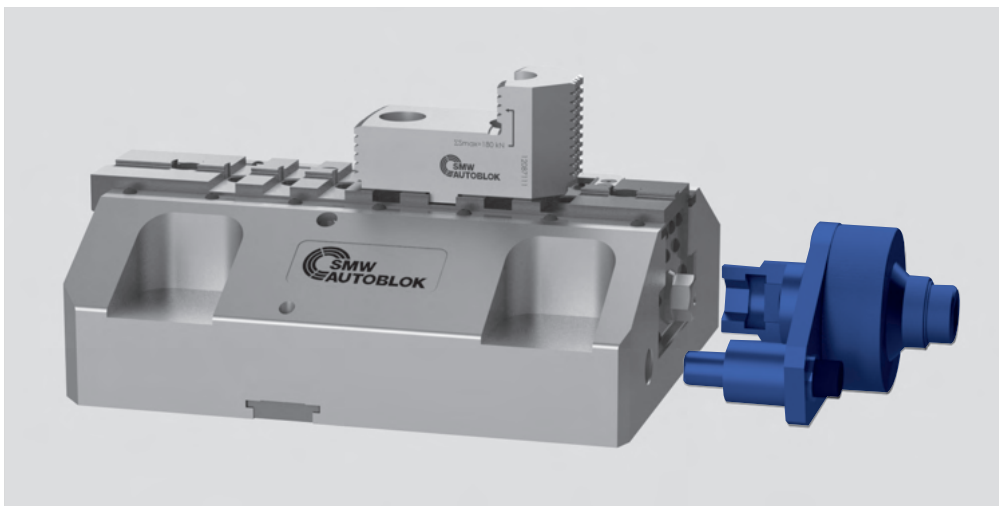
** In case of interference, the radial reference key can be mounted on the other side of the JBX-2G.

- Accessory for face plates, 4-jaw independent manual or other chucks
- Internal or external clamping

JBX 300

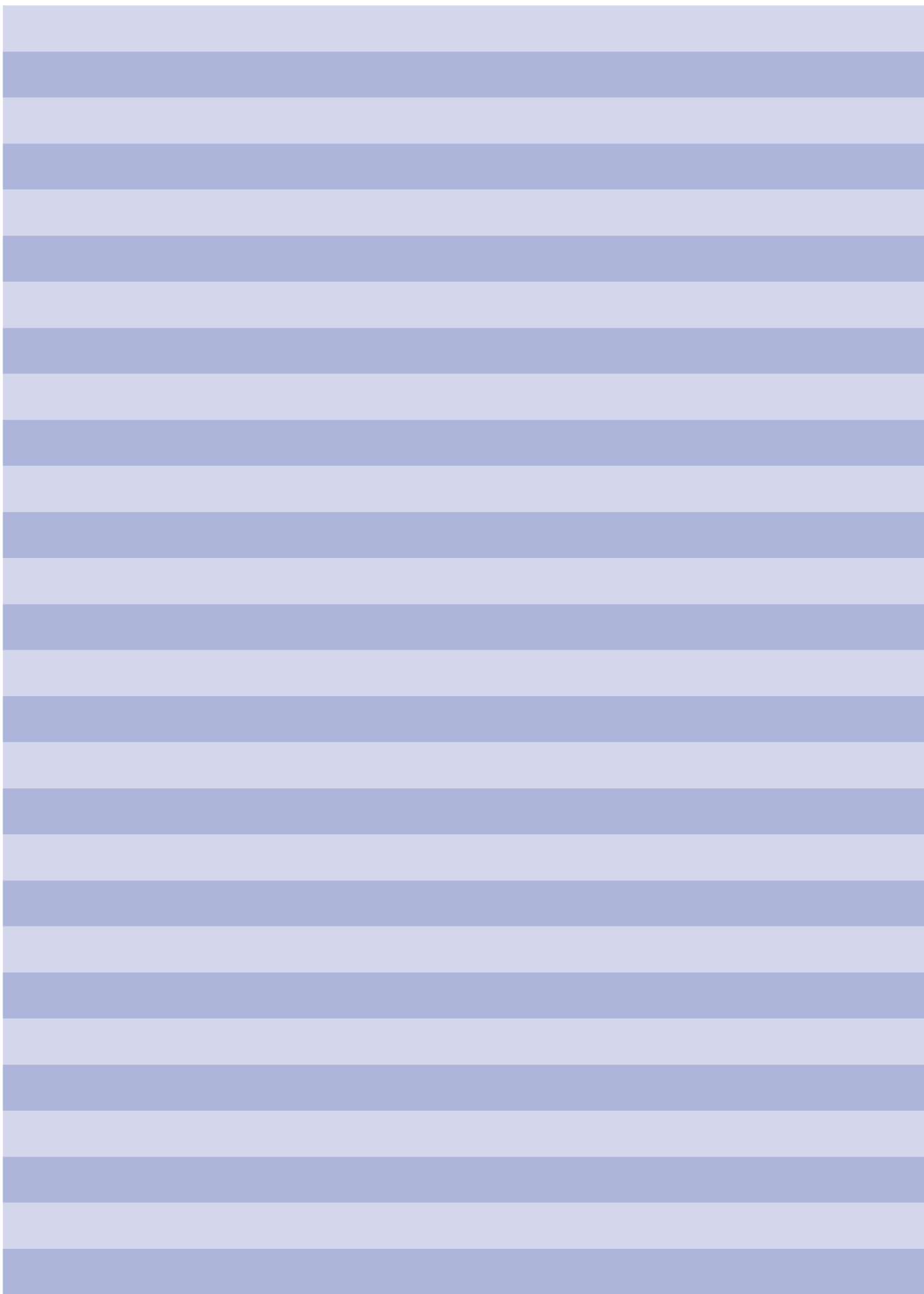
Subject to technical changes.
For more detailed information please ask our customer service.

Optional 5:1 torque multiplier for JBX and JBX-2G



Torque multiplier Id. No. 13506320

- Transmission 5:1
- Easy operation
- For fast achievement of maximum gripping force

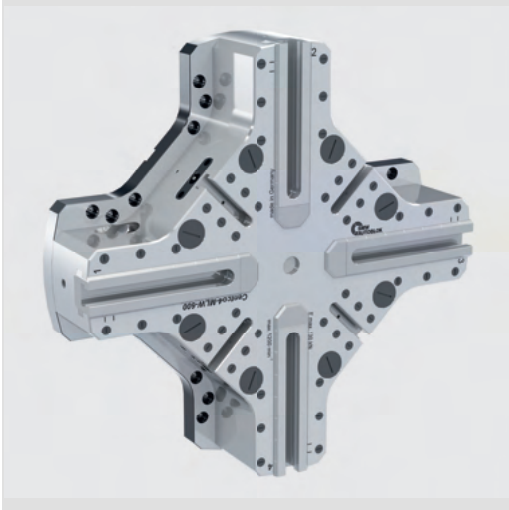


Centco4-MLW

INCH
SERRATION

4-jaw manual chuck

- 2+2 self centering
- Independent self centering clamping in 2 axis
- Weight-optimized chuck body



Application/customer benefits

- Independent self centering clamping in 2 axis via 1 central, manual actuating mechanism
- Mechanical centering of the workpiece
- Clamping of every workpiece geometry possible
- Weight-optimized chuck body
- Less workpiece deformation compared to 3-jaw chucks
- Long lifetime due to case hardened parts
- Large range of standard top jaws
- Suitable for OD and ID clamping

Technical features

- Centrifugal force compensation
- Optimized lubrication system

Standard equipment

4-jaw manual chuck,
8 pieces T-nuts and bolts
Actuation wrench

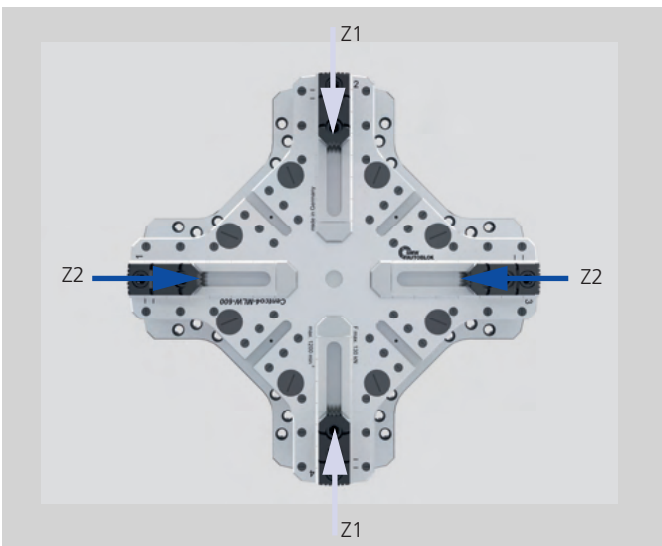
Ordering example

Centco4-MLW-D-600-4

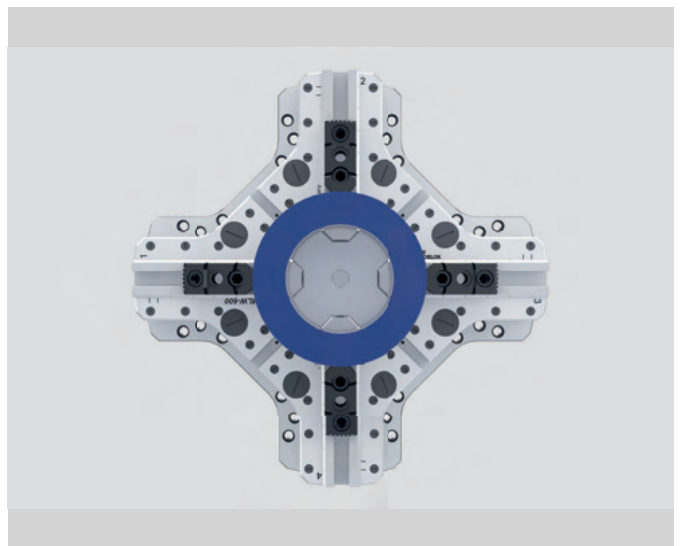
Function / Application examples

2+2 self centering and compensating clamping*

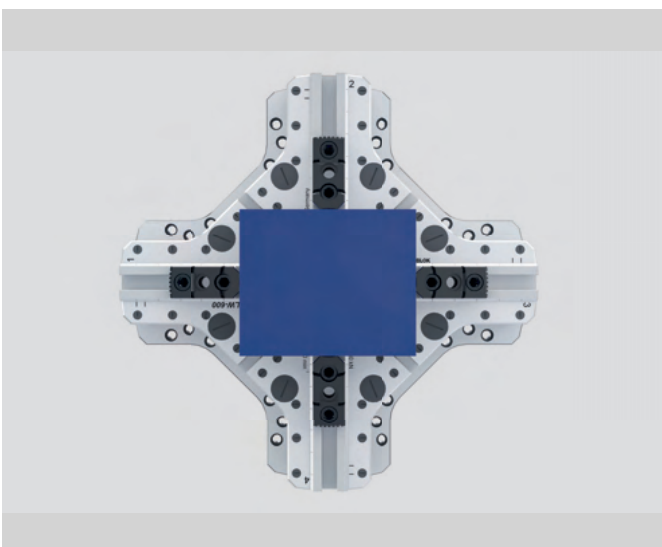
In the beginning the jaw pairs **Z1** + **Z2** only apply a centering force that is necessary to center the workpiece. Only if both jaw pairs **Z1** and **Z2** are in contact with the workpiece, the clamping force necessary for machining is applied.



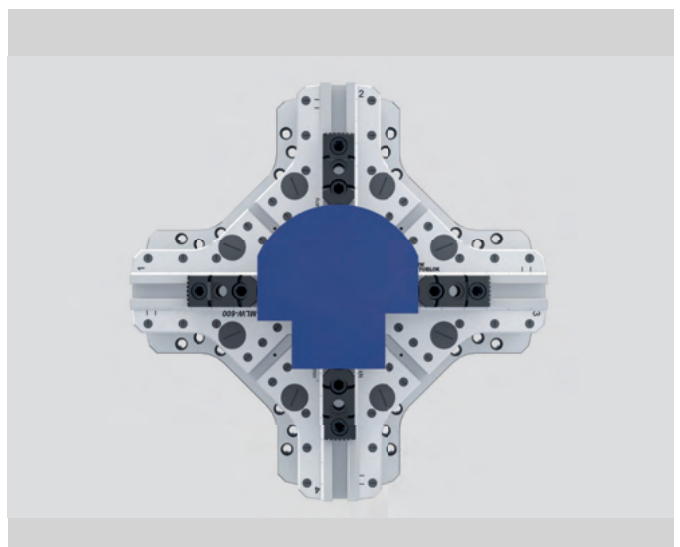
2+2 self centering clamping of round or thin-walled workpieces



2+2 self centering and compensating clamping of rectangular or square workpieces



2+2 self centering and compensating clamping of unshaped workpieces



* **Z1**: Self centering clamping axis 1 / **Z2**: self centering clamping axis 2
Z1 is compensating to **Z2**

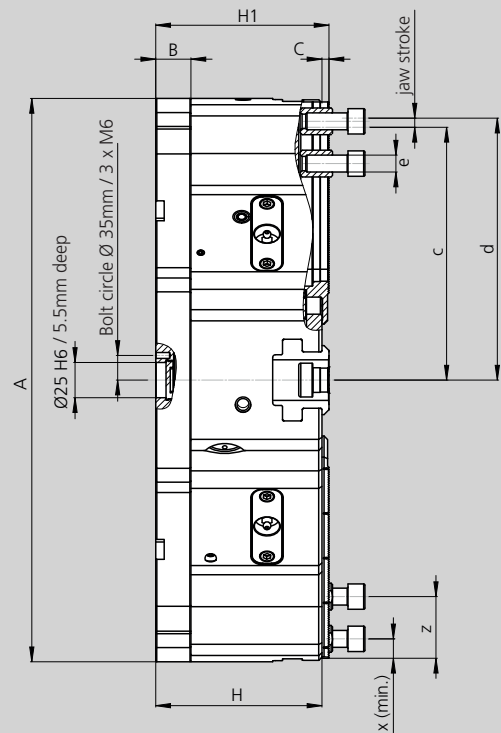
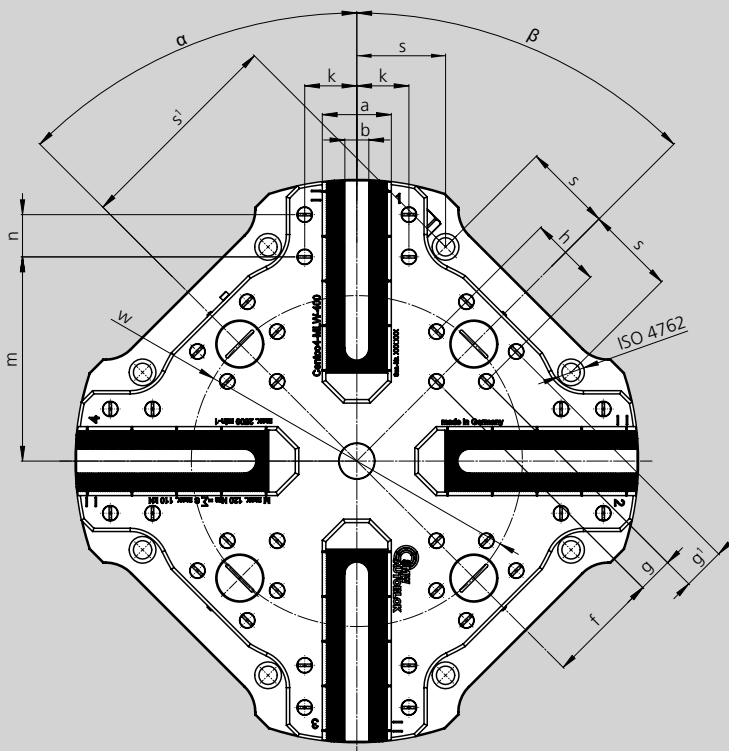
4-jaw manual chuck Ø 400 mm

Centco4-MLW-D

0

- 2+2 self centering
- Independent self centering clamping in 2 axis
- Weight-optimized chuck body

INCH
SERRATION



Subject to technical changes. For more detailed information please ask our customer service.

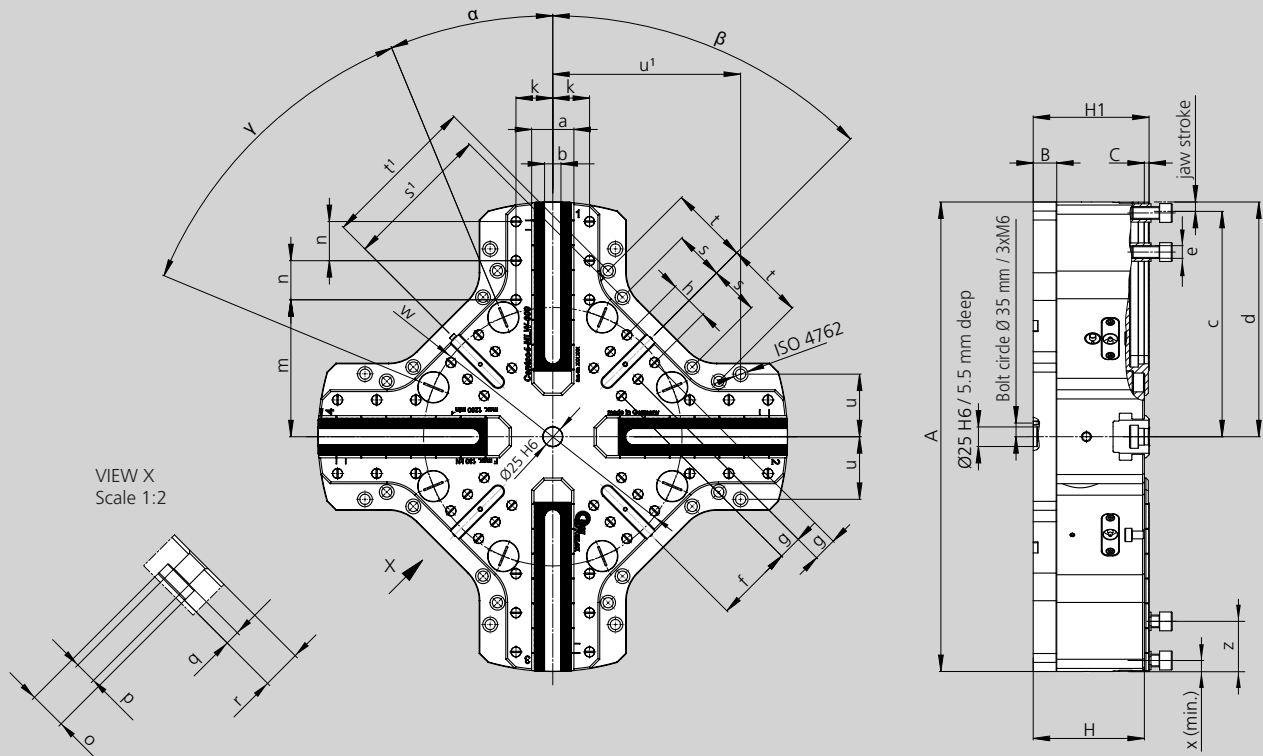
SMW-AUTOBLOK Type Centco4-MLW-D		400-4
Id. No.		163180
Outside diameter	A mm	400
Base plate height	B mm	25
Chuck height	C mm	5
	H mm	118
Jaw width	H1 mm	123
	a mm	49
Slot width	H8 b mm	17
Min.	c mm	179.5
Max.	d mm	186
Bolt ISO4762-12.9	e mm	M12
	f mm	80
	g mm	25
	g ¹ mm	30
	h mm	50
	k mm	37
	m mm	145
	n mm	30
	s/s ¹ mm	63 / 152.1
	w mm	235 / 4 x 90°
Min.	x mm	6
Min. / max.	z mm	25 / 115
	α deg.	45
	β deg.	45
Serration	inch	1/16" x 90°
Max. speed	min ⁻¹	2500
Max. total clamping force	kN	110
At max. actuating torque (Md)	Nm	120
Stroke per jaw	mm	6.5
Compensation stroke per jaw	mm	5
Weight (without jaws)	kg	77
Moment of inertia	kg·m ²	1.3

Centco4-MLW-D

4-jaw manual chuck \varnothing 600 - 750 mm

INCH
SERRATION

- 2+2 self centering
- Independent self centering clamping in 2 axis
- Weight-optimized chuck body



Subject to technical changes. For more detailed information please ask our customer service.

SMW-AUTOBLOK Type Centco4-MLW-D Id. No.		600-4 163210	750-4 163240
Outside diameter	A mm	600	750
Base plate height	B mm	30	30
	C mm	6	6
Chuck height	H mm	142	142
	H1 mm	148	148
Jaw width	a mm	54	54
Slot width	H8 b mm	21	21
Jaw position min.	c mm	288	363
Jaw position max.	d mm	300	375
Bolt ISO4762-12.9	e mm	M16	M16
	f mm	99	99
	g mm	2 x 30	2 x 30
	h mm	50	50
	k mm	47	47
	m mm	175	200
	n mm	2 x 50	3 x 50
T-slot width	o mm	24	24
T-slot width	p mm	14	14
Height of width o	q mm	9.2	9.2
Total depth T-slot	r mm	25	25
	s/s1 mm	63 / 189	63 / 189
	t/t1 mm	100 / 200	100 / 200
	u/u1 mm	80 / 240	80 / 240
	w mm	330.2	330.2
Min.	x mm	12.5	12.5
Min. / max.	z mm	25 / 177	25 / 245
	α deg.	17.5	17.5
	β deg.	45	45
	γ deg.	45	45
Serration	inch	1/16" x 90°	1/16" x 90°
Max. speed	min ⁻¹	1200	1000
Max. total clamping force	kN	130	130
at max. actuating torque (Md)	Nm	200	200
Stroke per jaw	mm	12	12
Compensation stroke per jaw	mm	10	10
Weight (without jaws)	kg	165	201
Moment of inertia	kg·m ²	5.5	9.83

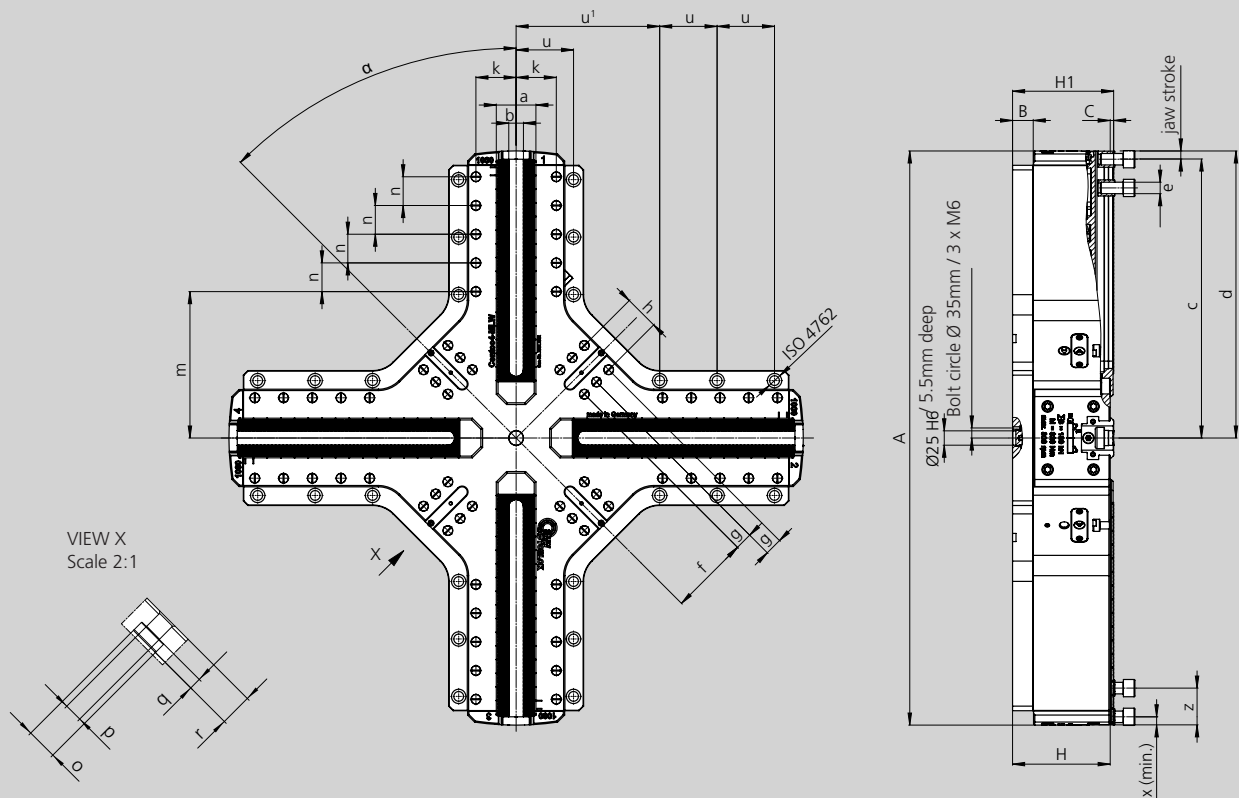
4-jaw manual chuck Ø 1000 - 1400 mm

Centco4-MLW-D

0

- 2+2 self centering
- Independent self centering clamping in 2 axis
- Weight-optimized chuck body

INCH
SERRATION



Subject to technical changes. For more detailed information please ask our customer service.

SMW-AUTOBLOK Type <i>Centco4-MLW-D</i> Id. No.		1000-4 163270	1200-4 163470	1400-4 163520
Outside diameter	A mm	1000	1200	1400
Base plate height	B mm	36	36	36
	C mm	6	6	6
Chuck height	H mm	170	170	170
	H1 mm	176	176	176
Jaw width	a mm	69	69	69
Slot width	H8 b mm	25.5	25.5	25.5
Min.	c mm	486	586	686
Max.	d mm	500	600	700
Bolt ISO4762-12.9	e mm	M20	M20	M20
	f mm	138	138	138
	g mm	2 x 30	2 x 30	2 x 30
	h mm	60	60	60
	k mm	70	70	70
	m mm	255	255	255
	n mm	4 x 50	6 x 50	8 x 50
T-slot width	o mm	30	30	30
T-slot width	p mm	18	18	18
Height of width o	q mm	12.2	12.2	12.2
Total depth T-slot	r mm	30	30	30
	u/u¹ mm	100 / 250	100 / 250	100 / 250
Min.	x mm	14	14	14
Min. / max.	z mm	50 / 350	50 / 450	50 / 550
	α deg.	45	45	45
Serration	inch	3/32" x 90°	3/32" x 90°	3/32" x 90°
Max. speed	min ⁻¹	800	700	600
Max. total clamping force	kN	180	180	180
at max. actuating torque (Md)	Nm	320	320	320
Stroke per jaw	mm	14	14	14
Compensation stroke per jaw	mm	12	12	12
Weight (without jaws)	kg	410	480	530
Moment of inertia	kg·m ²	36.4	55.6	80

Centco4-MLW-D

INCH
SERRATION

- Ordering review / equipment review
- Jaws*

Ordering review

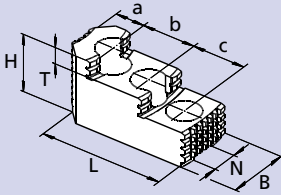
SMW-AUTOBLOK Type Centco4-MLW-D	400-4	600-4	750-4	1000-4	1200-4	1400-4
Id.-No.	163180	163210	163240	163270	163470	163520

Equipment review

SMW-AUTOBLOK - Assembling tool	400-4	600-4	750-4	1000-4	1200-4	1400-4
Id.-No.	210860			210861		

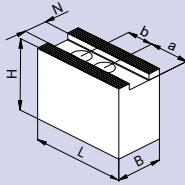
Jaws

MHB-D (INCH SERRATION) Hard, reversible stepped top jaws



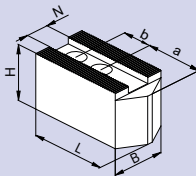
Centco4-MLW-D	400-4	600-4	750-4	1000-4	1200-4	1400-4
Jaw type	MHB-D 200	MHB-D 251	MHB-D 251	MHB-D 500	MHB-D 500	MHB-D 500
Id. No.	12082038	12083038	12083038	12084548	12084548	12084548
Serration	1/16" x 90°	1/16" x 90°	1/16" x 90°	3/32" x 90°	3/32" x 90°	3/32" x 90°
B	40	45	45	60	60	60
H	45	56	56	75	75	75
L	82	106.2	106.2	140.8	140.8	140.8
T	10.5	13.5	13.5	19	19	19
N	17	21	21	25.5	25.5	25.5
a	19	26	26	38	38	38
b	23	30	30	38	38	38
c	23	30	30	38	38	38
kg / set	2.3	2.9	2.9	9.5	9.5	9.5

MWB-D (INCH SERRATION) Soft top jaws Tall version



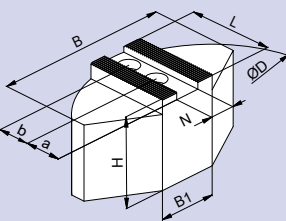
Centco4-MLW-D	400-4	600-4	750-4	1000-4	1200-4	1400-4
Jaw type	MWB-D 200	MWB-D 250	MWB-D 250	MWB-D 400	MWB-D 400	MWB-D 400
Id. No.	5318837	5319680	5319680	5319831	5319831	5319831
Serration	1/16" x 90°	1/16" x 90°	1/16" x 90°	3/32" x 90°	3/32" x 90°	3/32" x 90°
B	40	50	50	60	60	60
H	60	80	80	90	90	90
L	90	120	120	170	170	170
N	17	21	21	25.5	25.5	25.5
a	43	62	62	90	90	90
b	22	28	28	35	35	35
kg / set	4.1	9.2	9.2	21.6	21.6	21.6

AWB-D (INCH SERRATION) Soft top jaws Low version



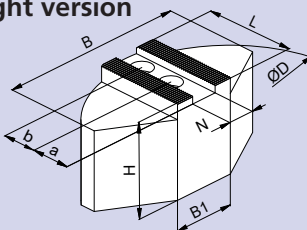
Centco4-MLW-D	400-4	600-4	750-4	1000-4	1200-4	1400-4
Jaw type	AWB-D 200	AWB-D 250	AWB-D 250	AWB-D 400	AWB-D 400	AWB-D 400
Id. No.	5318838	5319681	5319681	5319834	5319834	5319834
Serration	1/16" x 90°	1/16" x 90°	1/16" x 90°	3/32" x 90°	3/32" x 90°	3/32" x 90°
B	40	50	50	60	60	60
H	40	50	50	60	60	60
L	110	120	120	170	170	170
N	17	21	21	25.5	25.5	25.5
a	53	70	70	115	115	115
b	22	28	28	35	35	35
kg / set	2.7	5.4	5.4	14.5	14.5	14.5

SBS-D (INCH SERRATION) Soft pie jaws



Centco4-MLW-D	400-4	600-4	750-4	1000-4	1200-4	1400-4
Jaw type	SBS-D 200	SBS-D 600/4	SBS-D 600/4	SBS-D 1200/4	SBS-D 1200/4	SBS-D 1200/4
Id. No.	5318839	5322250	5322250	5322251	5322251	5322251
Serration	1/16" x 90°	1/16" x 90°	1/16" x 90°	3/32" x 90°	3/32" x 90°	3/32" x 90°
B	140	330	330	500	500	500
B1	64	50	50	60	60	60
D	200	190	190	445	445	445
H	60	85	85	85	85	85
L	70	140	140	155	155	155
N	17	21	21	25.5	25.5	25.5
a	35	75	75	85	85	85
b	22	29	29	35	35	35
kg / set	10.3	56.3	56.3	85.6	85.6	85.6

SBA-D (INCH SERRATION) Soft pie jaws aluminium light version

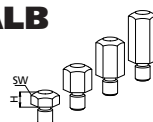


Centco4-MLW-D	400-4	600-4	750-4	1000-4	1200-4	1400-4
Jaw type	SBA-D 200	SBS-A 600/4	SBS-A 600/4	SBA-D 1200/4	SBA-D 1200/4	SBA-D 1200/4
Id. No.	5318840	5322254	5322254	5322255	5322255	5322255
Serration	1/16" x 90°	1/16" x 90°	1/16" x 90°	3/32" x 90°	3/32" x 90°	3/32" x 90°
B	120	330	330	500	500	500
B1	40	50	50	60	60	60
D	200	190	190	445	445	445
H	58	85	85	85	85	85
L	72.5	140	140	155	155	155
N	17	21	21	25.5	25.5	25.5
a	35	75	75	85	85	85
b	22	29	29	35	35	35
kg / set	3.7	20.1	20.1	30.3	30.3	30.3

* SMW-AUTOBLOK is recommending not to clamp any diameters, that are larger than the chuck O.D.

SMW-AUTOBLOK Jaws-catalog
Request or download:
www.smw-autoblok.de

ALB



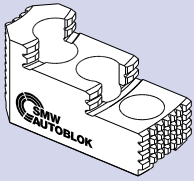
H [mm]	SW M10	SW M12	SW M16
10	210605	210058	210064
15	210606	210060	210065
20	210607	210061	210066
25	210608	210062	210067
30	210609	210063	210068

INCH
SERRATION

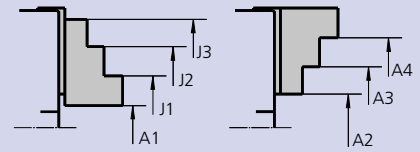
■ Clamping ranges

MHB-D (INCH SERRATION)

Hard, reversible stepped top jaws



Clamping ranges



Centco4-MLW-D	400	600	750	1000	1200	1400
Chuck Id. No.	163180	163210	163240	163270	163470	163520
MHB Id. No.	12082038	12083038	12083038	12084548	12084548	12084548
A1	74-299	87-458	101-609	96.5-814	96.5-1014	96.5-1214
A2	-	-	-	-	-	-
A3	124.5-321	178-550	236-698.5	221.5-938.5	221.5-1138.5	221.5-1338.5
A4	200-397.5	263-600	321-750*	320.5-1000*	320.5-1200*	320.5-1400*
J1	122-346	140.5-512	155-662	182.5-897	182.5-1097	182.5-1297
J2	196-400*	224.5-598	239-747.5	279.5-996	279.5-1196	279.5-1396
J3	238-400*	296.4-600*	311-750*	377-1000*	377-1200*	377-1400*

Note: min. 1 mm Residual jaw stroke
min. 1 mm Clamping stroke

* Not larger than chuck OD

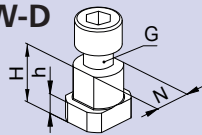


Centco4-MLW-D

INCH
SERRATION

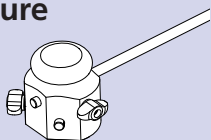
■ T-Nuts

NST
T-Nuts
suitable for Centco4-
MLW-D



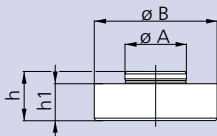
Centco4-MLW-D	400-4	600-4	750-4	1000-4	1200-4	1400-4
T-nut type	NST17	NST21	NST21	NST25	NST25	NST25
Id. No.	016021	014788	014788	014812	014812	014812
N	17	21	21	25.5	25.5	25.5
H	23	27	27	29	29	29
h	9	10	10	11	11	11
Cyl.-screw ISO 4762-12.9	G M12 x 30	M16 x 35	M16 x 35	M20 x 40	M20 x 40	M20 x 40
Torque Md max. (Nm)	70	150	150	250	250	250

**Jaw pre-positioning
fixture**



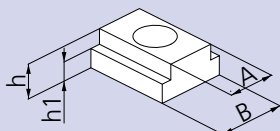
Centco4-MLW	400-4	600-4	750-4	1000-4	1200-4	1400-4
Id. No.	163518	163514	163514	163515	163516	163517

Center pin



Centco4-MLW	400-4	600-4	750-4	1000-4	1200-4	1400-4
Id. No.	163239					
Ø A	25 h6					
Ø B	50 g6					
h	20					
h1	15					

Slot-nuts



Id.-No.	209210	209194	209173
A	12	14	16
B	20	20	20
h	10	10	10
h1	5.5	5.5	5.5
Id.-No. Cyl.-screw (not included)	010166	010166	010166

**Important for maintenance and safe operation,
to be ordered with the chuck**

Grease K67

Special grease for
manual and power chucks



Cartridge 14 Oz. (DIN 1284)
Grease content 500g
Id. No. 10731223

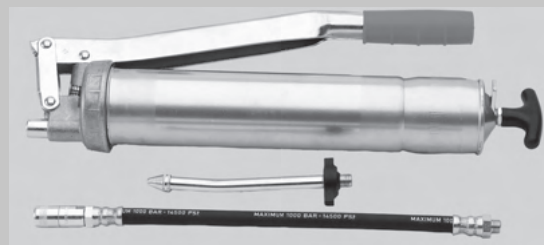
Can 1000 g
Id. No. 10731224



- High adhesion
- High resistance against coolant
- High load bearing capacity
- Low friction coefficient
- Avoids tribocorrosion

Grease gun

Grease gun (DIN 1283) for
cartridges 14 Oz. (DIN 1284)




Lubrication set Id. No. 083726

Supply range

- Grease gun
- 1 Adapter flexible for high pressure grease nipple
- 1 Adapter for cone grease nipple

Closed center power chucks (page 1 of 2)




AN-D
INCH
SERRATION

AN-M
METRIC
SERRATION

High precision power chucks
Ø 125 - 400 mm

- Closed center
- 2 and 3 jaws (4 jaws only Ø 400 mm)

Page 50




NT-C
TONGUE & GROOVE

High precision fully sealed power chucks
Ø 170 - 400 mm

- Centrifugal force compensation
- Closed center
- 3 jaws
- **proofline®** chucks = fully sealed - low maintenance

Page 66




AL-D
INCH
SERRATION

AL-M
METRIC
SERRATION

High precision power chucks
Ø 125 - 400 mm

- Closed center - Long stroke
- 2 and 3 jaws (4 jaws only Ø 400 mm)

Page 52




NT-D
INCH
SERRATION

NT-M
METRIC
SERRATION

High precision fully sealed power chucks
Ø 170 - 400 mm

- Centrifugal force compensation
- Closed center
- 3 jaws
- **proofline®** chucks = fully sealed - low maintenance

Page 68




AN-C
TONGUE & GROOVE

High precision power chucks
Ø 165 - 400 mm

- Closed center
- 2 and 3 jaws (4 jaws only Ø 400 mm)

Page 54




NTL-D
INCH
SERRATION

NTL-M
METRIC
SERRATION

High precision fully sealed power chucks
Ø 260 - 400 mm

- Centrifugal force compensation
- Closed center
- 3 jaws - Long stroke
- **proofline®** chucks = fully sealed - low maintenance

Page 70




AP[®]-D
INCH
SERRATION

AP[®]-M
METRIC
SERRATION

High precision fully sealed power chucks
Ø 170 - 400 mm

- Closed center
- 3 jaws
- **proofline®** chucks = fully sealed - low maintenance

Page 56




NTL-C
TONGUE & GROOVE

High precision fully sealed power chucks
Ø 260 - 400 mm

- Centrifugal force compensation
- Closed center
- 3 jaws - Long stroke
- **proofline®** chucks = fully sealed - low maintenance

Page 72




AP[®]-C
TONGUE & GROOVE

High precision fully sealed power chucks
Ø 170 - 400 mm

- Closed center
- 3 jaws
- **proofline®** chucks = fully sealed - low maintenance

Page 58




NTL-D
INCH
SERRATION

NTL-C
TONGUE & GROOVE

High precision fully sealed power chucks
Ø 500 - 1000 mm

- Centrifugal force compensation
- Closed center
- 3 jaws - Long stroke
- **proofline®** chucks = fully sealed - low maintenance

Page 74




APL-D
INCH
SERRATION

APL-M
METRIC
SERRATION

High precision fully sealed power chucks
Ø 215 - 400 mm

- Closed center
- 3 jaws - Long stroke
- **proofline®** chucks = fully sealed - low maintenance

Page 60




IN-D
INCH
SERRATION

IN-C
TONGUE & GROOVE

High precision power chucks
Ø 500 - 800 mm

- Closed center
- 3 and 4 jaws

Page 76




APL-D
INCH
SERRATION

APL-C
TONGUE & GROOVE

High precision fully sealed power chucks
Ø 500 - 1000 mm

- Closed center
- 3 jaws - Long stroke
- **proofline®** chucks = fully sealed - low maintenance

Page 62




IL-D
INCH
SERRATION

IL-C
TONGUE & GROOVE

High precision power chucks
Ø 500 - 800 mm

- Long stroke
- Closed center
- 3 and 4 jaws

Page 78



APL-C
TONGUE & GROOVE

High precision fully sealed power chucks
Ø 215 - 400 mm

- Closed center
- 3 jaws - Long stroke
- **proofline®** chucks = fully sealed - low maintenance

Page 64



AN-D**AN-M****High precision power chuck Ø 125 - 400 mm**INCH
SERRATIONMETRIC
SERRATION

- Closed center
- 2 and 3 jaws (4 jaws only Ø 400 mm)

**Application/customer benefits**

- For chucking parts
- Suitable for vertical machines

AN-D: Master jaws with INCH SERRATION (1/16" x 90°, 3/32" x 90°)**AN-M:** Master jaws with METRIC SERRATION (1.5 mm x 60°)
(suitable for Japanese chuck top jaws)**Technical features**

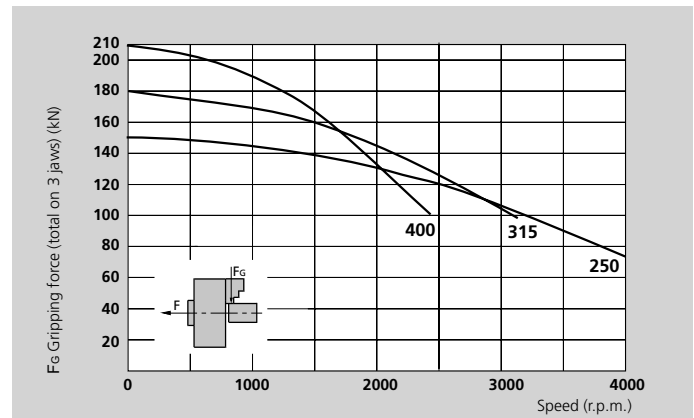
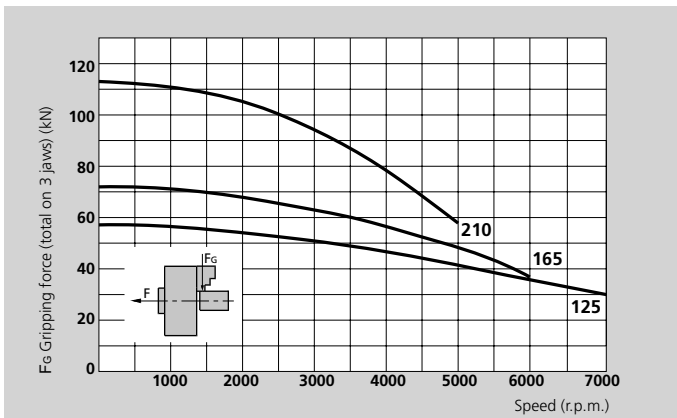
- Gripping force transmission via wedge hook
- Sealed against swarfs and chips
- Case hardened body to assure greatest precision and long chuck life

Standard equipment

- 2-, 3- or 4-jaw chuck
- 1 set T-nuts with bolts
- 1 set soft top jaws
- Mounting bolts

Ordering example

- 3-jaw chuck AN-D 210 / A6
- or
- 2-jaw chuck AN-M 250 / Z220

Actual gripping force diagrams

The data in the diagrams refer to 3-jaw chucks, newly maintained according to their service manuals using SMW-AUTOBLOK KO5 grease. The static and dynamic gripping forces have been measured using standard soft top jaws, placed in a position not exceeding the outer diameter of the chuck.

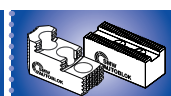
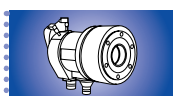
△ Safety advice / danger of damage:

When using taller / heavier jaws and / or clamping on a bigger diameter reduce draw pull / rotating speed accordingly.

Technical data

SMW-AUTOBLOK Type		AN-D 125		AN-D 165		AN-D 210		AN-D 250		AN-D 315		AN-D 400		
		AN-M 125	AN-M 165	AN-M 165	AN-M 165	AN-M 210	AN-M 210	AN-M 250	AN-M 250	AN-M 315	AN-M 315	AN-M 400	AN-M 400	AN-M 400
Number of jaws		2	3	2	3	2	3	2	3	2	3	2	3	4
Radial jaw stroke	mm	3.2		3.6		4.4		5		6.3		7		
Axial piston stroke	mm	15		17		21		24		30		33		
Max. draw pull*	kN	14	20	17	25	25	38	33	50	40	60	50	70	70
Max. gripping force*	kN	40	56	50	72	75	115	100	150	120	180	150	210	210
Max. speed	r.p.m.	7000		6000		5000		4000		3200		2400		2000
Weight (without top jaws)	kg	5.5		9.5		19		32		56		84		
Moment of inertia	kg·m ²	0.011		0.032		0.105		0.26		0.69		1.6		
Recommended actuating cylinders	Type	SIN-S 85 / 100		SIN-S 100		SIN-S 100 / 125		SIN-S 125 / 150		SIN-S 125 / 150		SIN-S 150 / 175		

* For internal clamping reduce the draw pull by 30%.

SMW-AUTOBLOK
460SMW-AUTOBLOK
462SMW-AUTOBLOK
321

High precision power chuck Ø 125 - 400 mm

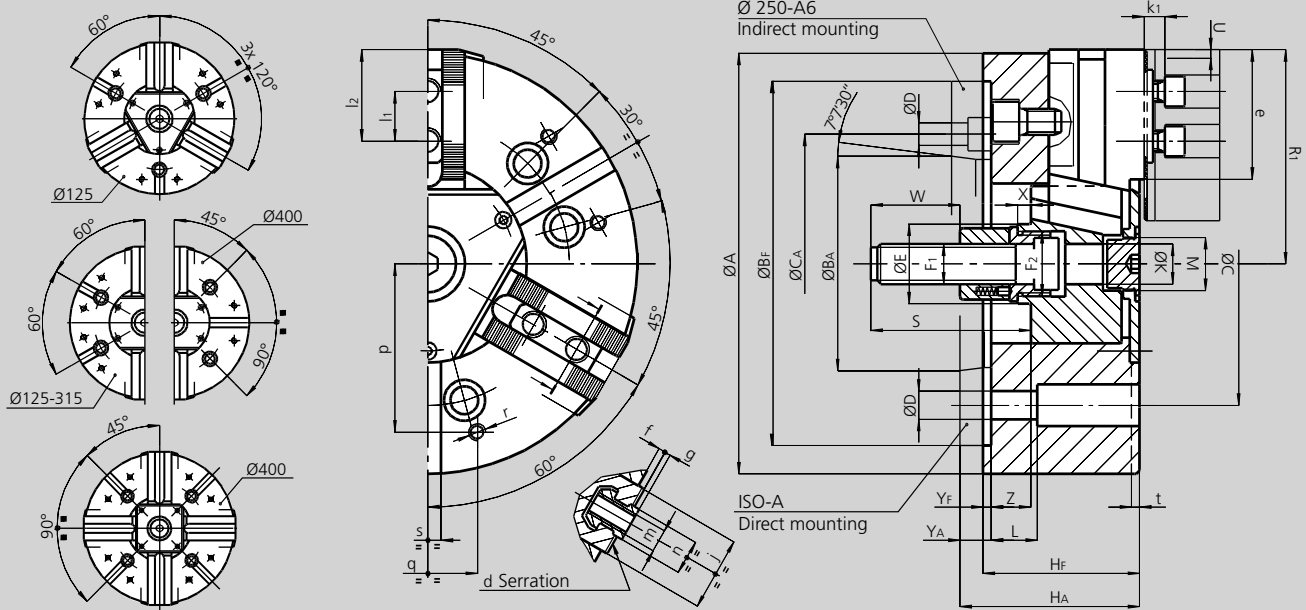
AN-D

AN-M

- Closed center
- 2 and 3 jaws (4 jaws only Ø 400 mm)

INCH
SERRATION

METRIC
SERRATION



Subject to technical changes.
For more detailed information please ask our customer service.

SMW-AUTOBLOK Type			AN-D 125 AN-M 125		AN-D 165 AN-M 165		AN-D 210 AN-M 210		AN-D 250 AN-M 250			AN-D 315 AN-M 315		AN-D 400 AN-M 400	
Mounting			Z115	A4	Z140	A5	Z170	A6	Z220	A6	A8	Z220	A8	Z300	A11
	A	mm	127		165		210		254			315		390	
	BF/BAH6	mm	115	63.513	140	82.563	170	106.375	220	106.375	139.719	220	139.719	300	196.869
	C	mm	82.6		104.8		133.4		171.4	-	171.4	171.4	-	235	
	CA	mm	-	-	-	-	-	-	-	133.4	-	-	-	-	-
	D	mm	11.5		11.5		13.5		17	13.5	17	17	-	21	
	E	mm	25		32		41		47			47		86	
	F1	mm	M12 x 1.25		M16		M20		M24			M24		M24	
	F2	mm	M18 x 1.5		M24 x 2		M32 x 1.5		M38 x 1.5			M38 x 1.5		M75 x 2	
	HF/HA	mm	59	67	71	81	85	97	95	114	109	105	119	116	131
	K	mm	9		17		20		25			25		65	
	L	mm	32		23		32		28			38		54	
	M	mm	M16 x 1.5		M24 x 1.5		M32 x 1.5		M32 x 1.5			M38 x 1.5		M68 x 2	
Chuck open	R1	mm	64		83		105		128			158		196	
	S	mm	77		104		97		103			103		105	
Jaw stroke	U	mm	3.2		3.6		4.4		5			6.3		7	
	W	mm	40		52		55		60			60		60	
	X	mm	12		17		8		8			8		8	
	YF/YA	mm	5	13	5	15	5	17	5	24	19	5	19	6	21
Max. / min.	Z	mm	15/0		17/0		21/0		24/0			30/0		33/0	
AN-D	d	inch	1/16" x 90°		1/16" x 90°		1/16" x 90°		1/16" x 90°			1/16" x 90°		3/32" x 90° ⁽¹⁾	
AN-M	d	mm	1.5 x 60°		1.5 x 60°		1.5 x 60°		1.5 x 60°			1.5 x 60°		1.5 x 60°	
	e	mm	37		48		60		77			99		116	
	f	mm	3		4		3		4			4		6	
	g	mm	2.5		2.5		3		3.5			3.5		3.5	
	j	mm	26		30		36		45			45		62	
	k1	mm	10		10		11		12			12		14	
AN-D	l1	mm	16		16.5		23		30			30		38	
AN-M	l1	mm	16		20		25		30			30		38	
Max. / min.	l2	mm	30 / 23		40 / 24		50 / 33		62 / 43			84 / 43		90 / 49	
AN-D	m	mm	M8		M10		M12		M16			M16		M20	
AN-M	m	mm	M8		M10		M12		M12			M16		M20	
AN-D	n h8	mm	12		14		17		21			21		25.5	
AN-M	n h8	mm	12		12		14		16			21		22	
	p	mm	52		65		80		102			120		150	
	q	mm	30		36		45		60			60		80	
	r	mm	M6		M8		M8		M10			M10		M12	
	s	mm	12		16		16		16			16		20	
	t	mm	4		5		5		5			5		5	

⁽¹⁾ Serration 1/16 x 90° on request.

AL-DINCH
SERRATION**AL-M**METRIC
SERRATION**High precision power chuck Ø 125 - 400 mm**

- Closed center
- Long stroke
- 2 and 3 jaws (4 jaws only Ø 400 mm)

**Application/customer benefits**

- For chucking parts
- Suitable for vertical machines
- Long clamping stroke (possibility to clamp 1st and 2nd operation with the same jaws)

AL-D: Master jaws with INCH SERRATION (1/16" x 90°, 3/32" x 90°)**AL-M:** Master jaws with METRIC SERRATION (1.5 mm x 60°)
(suitable for japanese chuck top jaws)**Technical features**

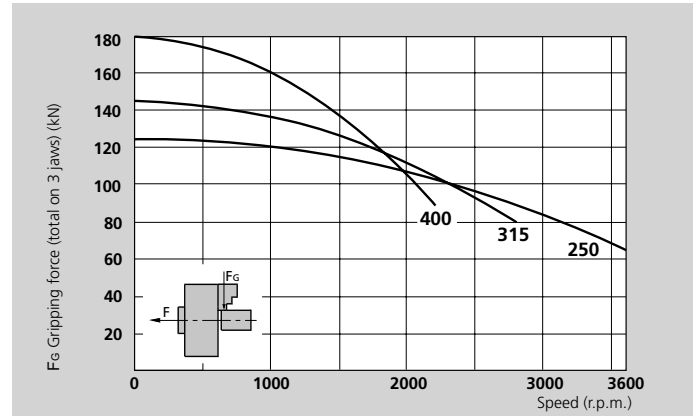
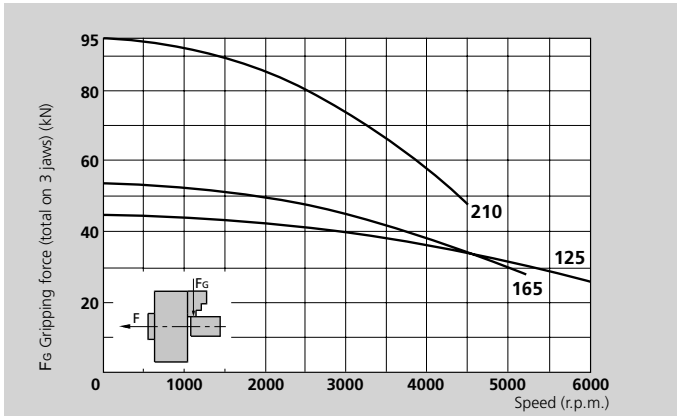
- EXTRA long jaw stroke
- Gripping force transmission via wedge hook
- Case hardened body to assure greatest precision and long chuck life

Standard equipment

- 2-, 3- or 4-jaw chuck
- 1 set T-nuts with bolts
- 1 set soft top jaws
- Mounting bolts

Ordering example

- 3-jaw chuck AL-D 210 / A6
- or
- 2-jaw chuck AL-M 250 / Z220

Actual gripping force diagrams

The data in the diagrams refer to 3-jaw chucks, newly maintained according to their service manuals using SMW-AUTOBLOK K05 grease. The static and dynamic gripping forces have been measured using standard soft top jaws, placed in a position not exceeding the outer diameter of the chuck.

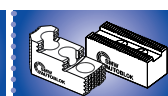
△ Safety advice / danger of damage:

When using taller / heavier jaws and / or clamping on a bigger diameter reduce draw pull / rotating speed accordingly.

Technical data

SMW-AUTOBLOK Type		AL-D 125 AL-M 125		AL-D 165 AL-M 165		AL-D 210 AL-M 210		AL-D 250 AL-M 250		AL-D 315 AL-M 315		AL-D 400 AL-M 400		
Number of jaws		2	3	2	3	2	3	2	3	2	3	2	3	4
Radial jaw stroke	mm	6		7		8.5		10		12		13		
Axial piston stroke	mm	15		17		21		25		30		33		
Max. draw pull*	kN	17	25	20	30	35	53	45	68	54	80	67	100	100
Max. gripping force*	kN	30	45	36	54	63	95	83	125	97	145	120	180	180
Max. speed	r.p.m.	6000		5200		4500		3600		2800		2000		
Weight (without top jaws)	kg	5.5		9.5		19		32		56		84		
Moment of inertia	kg·m ²	0.011		0.032		0.105		0.26		0.69		1.6		
Recommended actuating cylinders	Type	SIN-S 85 / 100		SIN-S 100		SIN-S 100 / 125		SIN-S 125 / 150		SIN-S 125 / 150		SIN-S 150 / 175		

* For internal clamping reduce the draw pull by 30%.

SMW-AUTOBLOK
460SMW-AUTOBLOK
462SMW-AUTOBLOK
321

High precision power chuck Ø 125 - 400 mm

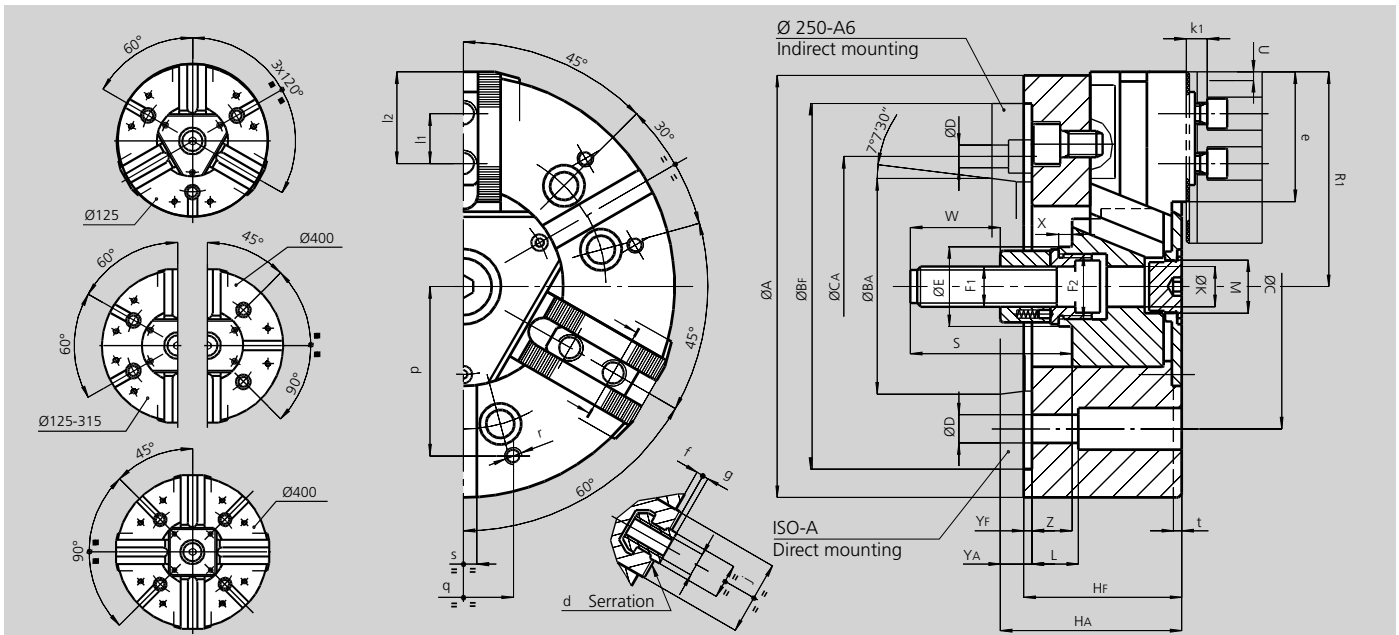
- Closed center
- Long stroke
- 2 and 3 jaws (4 jaws only Ø 400 mm)

AL-D

INCH
SERRATION

AL-M

METRIC
SERRATION

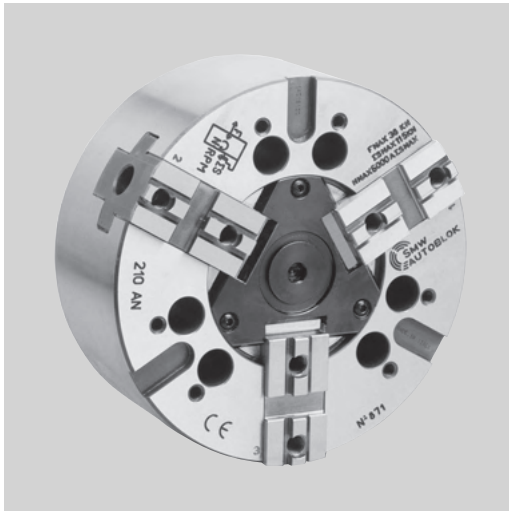


Subject to technical changes.
For more detailed information please ask our customer service.

SMW-AUTOBLOK Type			AL-D 125 AL-M 125		AL-D 165 AL-M 165		AL-D 210 AL-M 210		AL-D 250 AL-M 250			AL-D 315 AL-M 315		AL-D 400 AL-M 400	
Mounting			Z115	A4	Z140	A5	Z170	A6	Z220	A6	A8	Z220	A8	Z300	A11
	A	mm	127		165		210		254			315		390	
	BF/BAH6	mm	115	63.513	140	82.563	170	106.375	220	106.375	139.719	220	139.719	300	196.869
	C	mm	82.6		104.8		133.4		171.4	-	171.4	171.4	-	235	
	CA	mm	-	-	-	-	-	-	-	133.4	-	-	-	-	-
	D	mm	11.5		11.5		13.5		17	13.5	17	17	-	21	
	E	mm	25		32		41		47			47		86	
	F1	mm	M12 x 1.25		M16		M20		M24			M24		M24	
	F2	mm	M18 x 1.5		M24 x 2		M32 x 1.5		M38 x 1.5			M38 x 1.5		M75 x 2	
	HF/HA	mm	59	67	71	81	85	97	95	114	109	105	119	116	131
	K	mm	9		17		20		25			25		65	
	L	mm	32		23		32		28			38		54	
	M	mm	M16 x 1.5		M24 x 1.5		M32 x 1.5		M32 x 1.5			M38 x 1.5		M68 x 2	
Chuck open	R1	mm	67		86		109		133			164		202	
	S	mm	77		104		97		103			103		105	
Jaw stroke	U	mm	6		7		8.5		10			12		13	
	W	mm	40		52		55		60			60		60	
	X	mm	12		17		8		8			8		8	
	YF/YA	mm	5	13	5	15	5	17	5	24	19	5	19	6	21
Max. / min.	Z	mm	15 / 0		17 / 0		21 / 0		24 / -1			30 / 0		33 / 0	
AL-D	d	inch	1/16" x 90°		1/16" x 90°		1/16" x 90°		1/16" x 90°			1/16" x 90°		3/32" x 90° ⁽¹⁾	
AL-M	d	mm	1.5 x 60°		1.5 x 60°		1.5 x 60°		1.5 x 60°			1.5 x 60°		1.5 x 60°	
	e	mm	37		49		61		77			99		116	
	f	mm	3		4		3		4			4		6	
	g	mm	2.5		2.5		3		3.5			3.5		3.5	
	j	mm	26		30		36		45			45		62	
	k1	mm	10		10		11		12			12		14	
AL-D	l1	mm	16		16.5		23		30			30		38	
AL-M	l1	mm	16		20		25		30			30		38	
Max. / min.	l2	mm	30 / 23		40 / 24		50 / 33		62 / 43			84 / 43		90 / 49	
AL-D	m	mm	M8		M10		M12		M16			M16		M20	
AL-M	m	mm	M8		M10		M12		M12			M16		M20	
AL-D	n h8	mm	12		14		17		21			21		25.5	
AL-M	n h8	mm	12		12		14		16			21		22	
	p	mm	52		65		80		102			120		150	
	q	mm	30		36		45		60			60		80	
	r	mm	M6		M8		M8		M10			M10		M12	
	s	mm	12		16		16		16			16		20	
	t	mm	5		5		5		5			5		5	

⁽¹⁾ Serration 1/16 x 90° on request.

- Closed center
- 2 and 3 jaws (4 jaws only Ø 400 mm)



Application/customer benefits

- For chucking parts
- Suitable for vertical machines
- Tongue & groove master jaws for heavy or very high profile special top jaws

AN-C: TONGUE & GROOVE master jaws (American Standard)

Technical features

- Gripping force transmission via wedge hook
- Case hardened body to assure greatest precision and long chuck life

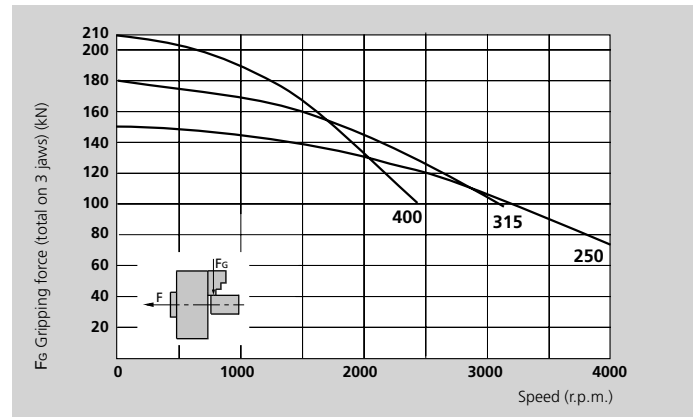
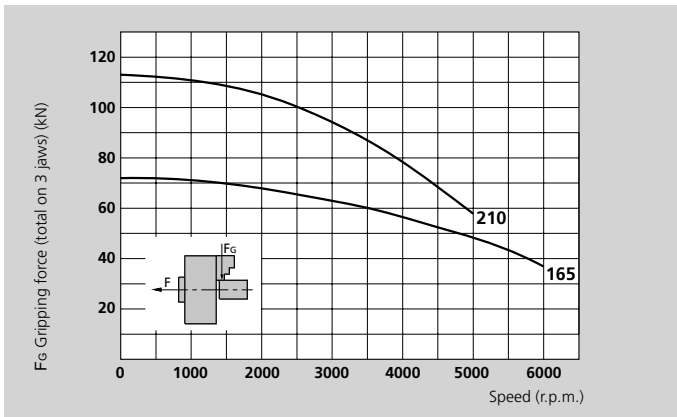
Standard equipment

2-, 3- or 4-jaw chuck
Mounting bolts

Ordering example

3-jaw chuck AN-C 250 / Z220
or
2-jaw chuck AN-C 315 / A8

Actual gripping force diagrams



The data in the diagrams refer to 3-jaw chucks, newly maintained according to their service manuals using SMW-AUTOBLOK K05 grease. The static and dynamic gripping forces have been measured using standard soft top jaws, placed in a position not exceeding the outer diameter of the chuck.

⚠ Safety advice / danger of damage:

When using taller / heavier jaws and / or clamping on a bigger diameter reduce draw pull / rotating speed accordingly.

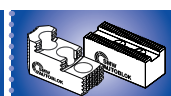
Technical data

SMW-AUTOBLOK Type		AN-C 165		AN-C 210		AN-C 250		AN-C 315		AN-C 400		
Number of jaws		2	3	2	3	2	3	2	3	2	3	4
Radial jaw stroke	mm	3.6		4.4		5		6.3		7		
Axial piston stroke	mm	17		21		24		30		33		
Max. draw pull*	kN	17	25	25	38	33	50	40	60	50	70	70
Max. gripping force*	kN	50	72	75	115	100	150	120	180	150	210	210
Max. speed	r.p.m.	6000		5000		4000		3200		2400		
Weight (without top jaws)	kg	10		19.5		33		57		84		
Moment of inertia	kg·m ²	0.034		0.11		0.27		0.70		1.6		
Recommended actuating cylinders	Type	SIN-S 100		SIN-S 100 / 125		SIN-S 125 / 150		SIN-S 125 / 150		SIN-S 150 / 175		

* For internal clamping reduce the draw pull by 30%.



SMW-AUTOBLOK
460



SMW-AUTOBLOK
462



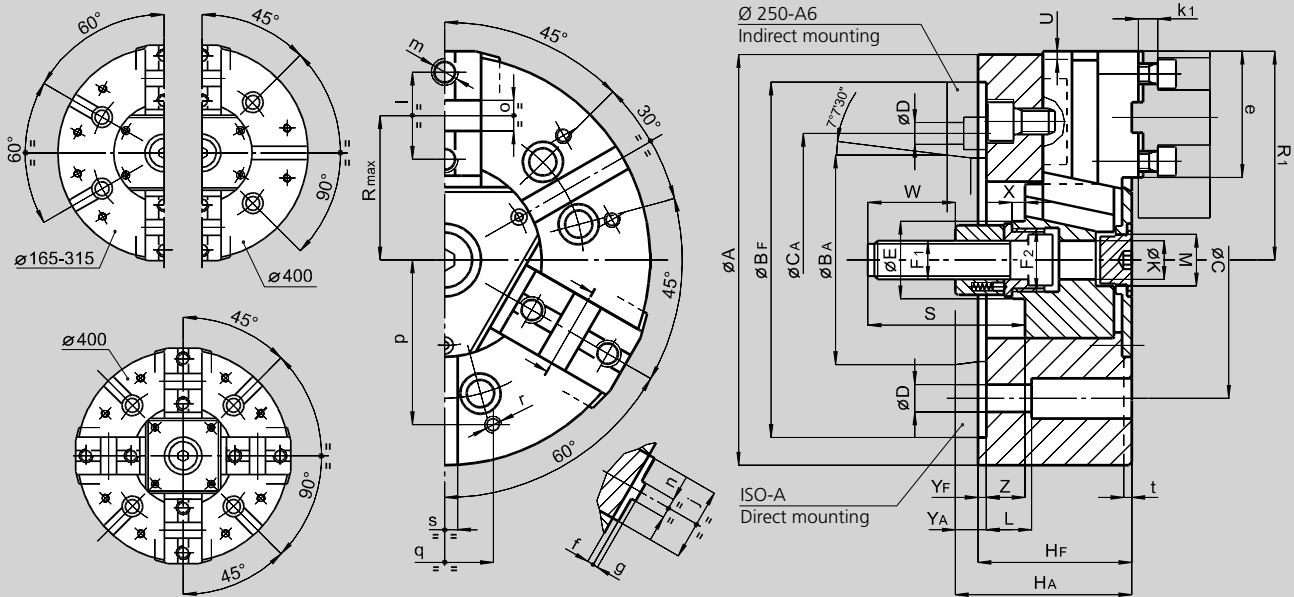
SMW-AUTOBLOK
321

High precision power chuck \varnothing 165 - 400 mm

AN-C

- Closed center
- 2 and 3 jaws (4 jaws only \varnothing 400 mm)

TONGUE & GROOVE



Subject to technical changes.
For more detailed information please ask our customer service.

SMW-AUTOBLOK Type			AN-C 165		AN-C 210		AN-C 250			AN-C 315		AN-C 400	
Mounting			Z140	A5	Z170	A6	Z220	A6	A8	Z220	A8	Z300	A11
	A	mm	165		210		254			315		390	
	BF/BAH6	mm	140	82.563	170	106.375	220	106.375	139.719	220	139.719	300	196.869
	C	mm	104.8		133.4		171.4	-	171.4	171.4		235	
	CA	mm	-	-	-	-	-	133.4	-	-	-	-	-
	D	mm	11.5		13.5		17	13.5	17	17		21	
	E	mm	32		41		47			47		86	
	F1	mm	M16		M20		M24			M24		M24	
	F2	mm	M24 x 2		M32 x 1.5		M38 x 1.5			M38 x 1.5		M75 x 2	
	HF/HA	mm	71	81	85	97	95	114	109	105	119	116	131
	K	mm	17		20		25			25		65	
	L	mm	23		32		28			38		54	
	M	mm	M24 x 1.5		M32 x 1.5		M32 x 1.5			M38 x 1.5		M68 x 2	
Chuck open	R1	mm	83		105		128			158		196	
Max.	R	mm	56		72		88			105		133.5	
	S	mm	104		97		103			103		105	
Jaw stroke	U	mm	3.6		4.4		5			6.3		7	
	W	mm	52		55		60			60		60	
	X	mm	17		8		8			8		8	
	YF/YA	mm	5	15	5	17	5	24	19	5	19	6	21
Max. / min.	Z	mm	17 / 0		21 / 0		24 / 0			30 / 0		33 / 0	
	e	mm	54		71		77			99		116	
	f	mm	4		4		4			4		7	
	g	mm	3		3		3			3		3	
	j	mm	30		36		45			45		62	
	k1	mm	10		11		12			12		14	
	l	mm	38		44.4		54			63.5		76.2	
	m	mm	M10		M12		M16			M16		M20	
	n h8	mm	7.94		7.94		12.70			12.70		12.70	
	o H7	mm	12.68		12.68		19.03			19.03		19.03	
	p	mm	65		80		102			120		150	
	q	mm	36		45		60			60		80	
	r	mm	M8		M8		M10			M10		M12	
	s	mm	16		16		16			16		20	
	t	mm	5		5		5			5		5	

AP[®]-DINCH
SERRATION**AP[®]-M**METRIC
SERRATION**High precision power chuck Ø 170 - 400 mm**

- Closed center
- 3 jaws
- proofline[®] chucks = fully sealed - low maintenance

**Application/customer benefits**

- For mid to large batch production
- Fully sealed, ideal for dry machining of castings and forgings or if high pressure coolant is used

AP-D: Master jaws with INCH SERRATION (1/16" x 90°, 3/32" x 90°)**AP-M:** Master jaws with METRIC SERRATION (1.5 mm x 60°)
(suitable for japanese chuck top jaws)**Technical features**

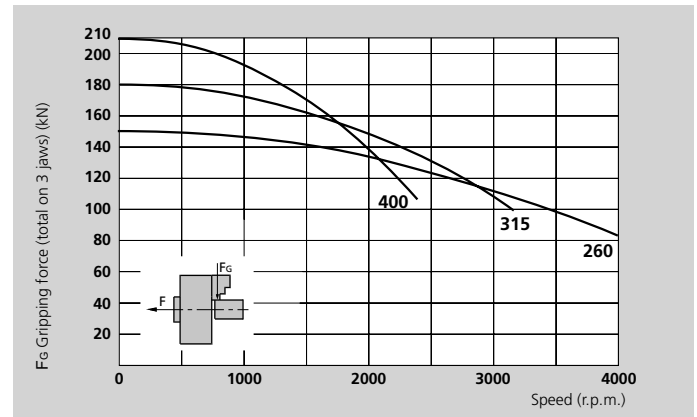
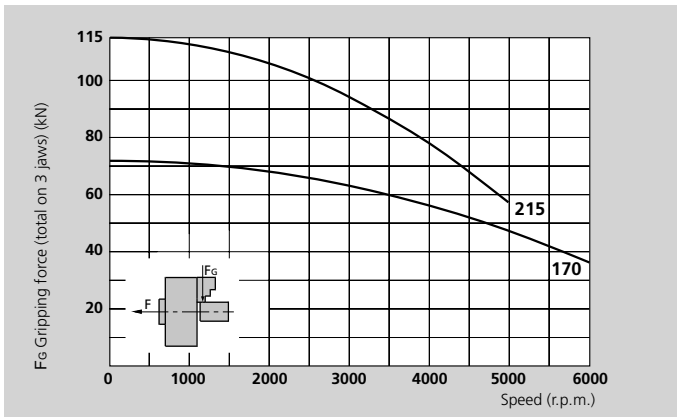
- Constant gripping force with permanent grease lubrication
- Central bore for coolant and / or air
- Chuck body and internal parts case hardened
- **proofline[®] chucks** = fully sealed - low maintenance

Standard equipment

- 3-jaw chuck
- 1 set T-nuts and bolts
- 1 set soft top jaws
- Mounting bolts

Ordering example

- 3-jaw chuck AP-D 215 / A6
- or
- 3-jaw chuck AP-M 260 / Z220

Actual gripping force diagrams

The data in the diagrams refer to 3-jaw chucks, newly maintained according to their service manuals using SMW-AUTOBLOK K67 grease. The static and dynamic gripping forces have been measured using standard soft top jaws, placed in a position not exceeding the outer diameter of the chuck.

△ Safety advice / danger of damage:

When using taller / heavier jaws and / or clamping on a bigger diameter reduce draw pull / rotating speed accordingly.

Technical data

SMW-AUTOBLOK Type		AP-D 170 AP-M 170	AP-D 215 AP-M 215	AP-D 260 AP-M 260	AP-D 315 AP-M 315	AP-D 400 AP-M 400
Number of jaws		3	3	3	3	3
Radial jaw stroke	mm	3.6	4.6	5	6.3	7
Axial piston stroke	mm	17	22	24	30	33
Max. draw pull*	kN	30	42	55	65	75
Max. gripping force*	kN	72	112	150	180	210
Max. speed	r.p.m.	6000	5000	4000	3200	2400
Weight (without top jaws)	kg	10	19.5	32.5	56	90
Moment of inertia	kg·m ²	0.037	0.113	0.28	0.69	1.7
Recommended actuating cylinders	Type	SIN-S 100	SIN-S 100 / 125	SIN-S 125 / 150	SIN-S 125 / 150	SIN-S 150 / 175

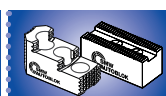
* For internal clamping reduce the draw pull by 30%.



on request:
Tooling Standard
Parts Catalog



SMW-AUTOBLOK
460



SMW-AUTOBLOK
462



SMW-AUTOBLOK
321

High precision power chuck Ø 170 - 400 mm

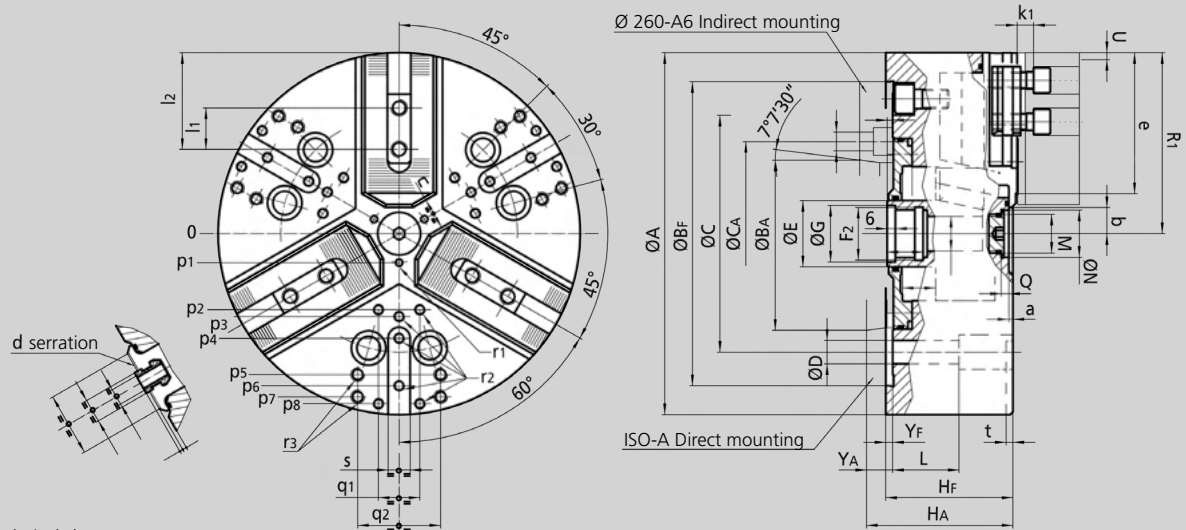
AP[®]-D

AP[®]-M

- Closed center
- 3 jaws
- proofline[®] chucks = fully sealed - low maintenance

INCH
SERRATION

METRIC
SERRATION

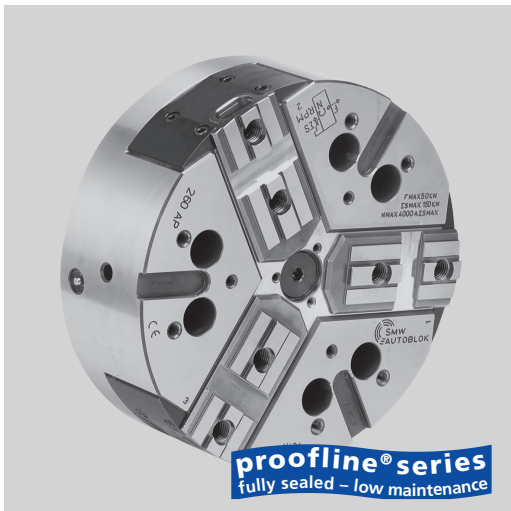


Subject to technical changes.
For more detailed information please ask our customer service.

SMW-AUTOBLOK Type			AP-D 170 AP-M 170		AP-D 215 AP-M 215		AP-D 260 AP-M 260			AP-D 315 AP-M 315		AP-D 400 AP-M 400	
Mounting			Z140	A5	Z170	A6	Z220	A6	A8	Z220	A8	Z300	A11
	A	mm	172		216		262			315		390	
	BF/BAH6	mm	140	82.563	170	106.375	220	106.375	139.719	220	139.719	300	196.869
	C	mm	104.8		133.4		171.4			171.4		235	
	CA	mm	-	-	-	-	-	133.4	-	-	-	-	-
	D	mm	11.5		13.5		17			17		21	
	E	mm	32		42		48			48		75	
	F2	mm	M24 x 2		M32 x 1.5		M38 x 1.5			M38 x 1.5		M60 x 1.5	
	G H8	mm	25		33		39			39		61	
	HF/HA	mm	68	78	81	93	92	111	106	101	115	112	127
	K	mm	18.5		20		25			25		48	
	L	mm	23		32		38			38		54	
	M	mm	M10 x 1.0		M22 x 1.5		M28 x 1.5			M28 x 1.5		M52 x 1.5	
	N H9	mm	15		24		34			34		60	
	Q	mm	4.5		5.5		5.5			5.5		9	
Chuck open	R1	mm	86.5		108		131			157.5		195	
Max. / min.	S	mm	21 / 4		26 / 4		28 / 4			34 / 4		37 / 4	
Jaw stroke	U	mm	3.6		4.6		5			6.3		7	
	W	mm	22		26		26			26		38	
	YF/YA	mm	5	15	5	17	5	24	19	5	19	6	21
Max. / min.	Z	mm	17 / 0		22 / 0		24 / 0			30 / 0		33 / 0	
	a	mm	3		3		3			3		3	
Min.	b	mm	8.5		12		14			16.5		31	
Min.	c	mm	9		13		14			16		38	
AP-D	d	inch	1/16" x 90°		1/16" x 90°		1/16" x 90°			1/16" x 90°		3/32" x 90° ⁽¹⁾	
AP-M	d	mm	1.5 x 60°		1.5 x 60°		1.5 x 60°			1.5 x 60°		1.5 x 60°	
	e	mm	67		82		102			123		144	
	f	mm	3		3		3			3		6	
	g	mm	2.5		2.5		2.5			3.5		3.5	
	j	mm	34		46		48			58		63	
	k1	mm	10		11		12			12		14	
AP-D	l1	mm	16.5		23		30			30		38	
AP-M	l1	mm	20		25		30			30		38	
Max. / min.	l2	mm	43 / 24		53 / 33		70 / 41			84 / 43		98 / 54	
AP-D	m	mm	M10		M12		M12			M16		M20	
AP-M	m	mm	M10		M12		M12			M16		M20	
AP-D	n g6	mm	14		17		17			21		25.5	
AP-M	n g6	mm	12		14		16			21		22	
	p1	mm	16		16		21			21		37.5	
	p2	mm	-		-		-			60		80	
	p3	mm	38		49		55			62.5		83	
	p4	mm	-		80		70			80		110	
	p5	mm	65		80		102			102		140	
	p6	mm	70		-		102			120		155	
	p7	mm	-		-		-			135		170	
	p8	mm	-		-		-			-		170	
	q1	mm	-		-		-			30		36	
	q2	mm	36		45		60			60		80	
	r1	mm	M5 / 7		M5 / 8		M6 / 10			M6 / 10		M6 / 12	
	r2	mm	M6 / 14		M8 / 17		M8 / 17			M8 / 17		M10 / 19	
	r3	mm	M8 / 17		M8 / 17		M10 / 19			M10 / 19		M12 / 22	
	s	mm	16		16		16			16		20	
	t	mm	5		5		5			5		5	

⁽¹⁾ Serration 1/16 x 90° on request.

- Closed center
- 3 jaws
- proofline[®] chucks = fully sealed - low maintenance



Application/customer benefits

- For large batch production
- Fully sealed, ideal for dry machining of castings and forgings or if high pressure coolant is used

AP-C: TONGUE & GROOVE master jaws (American Standard)

Technical features

- Constant gripping force with permanent grease lubrication
- Central bore for coolant and / or air
- Chuck body and internal parts case hardened
- **proofline[®] chucks** = fully sealed - low maintenance

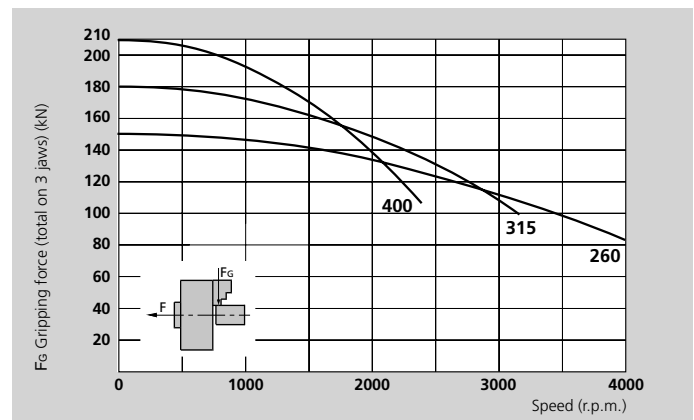
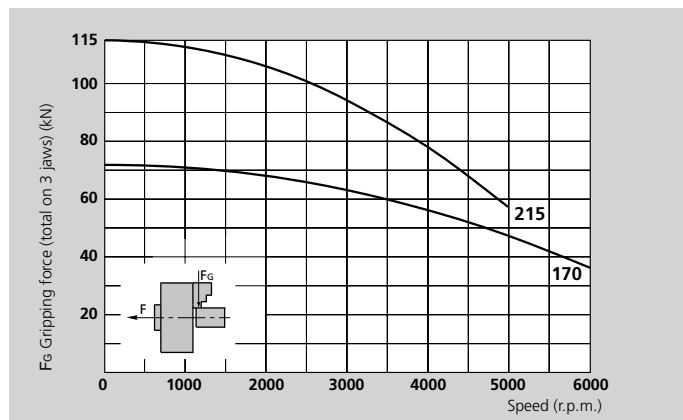
Standard equipment

3-jaw chuck
Mounting bolts

Ordering example

3-jaw chuck AP-C 215 / A6

Actual gripping force diagrams



The data in the diagrams refer to 3-jaw chucks, newly maintained according to their service manuals using SMW-AUTOBLOK K67 grease. The static and dynamic gripping forces have been measured using standard soft top jaws, placed in a position not exceeding the outer diameter of the chuck.

△ Safety advice / danger of damage:

When using taller / heavier jaws and / or clamping on a bigger diameter reduce draw pull / rotating speed accordingly.

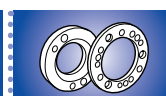
Technical data

SMW-AUTOBLOK Type		AP-C 170	AP-C 215	AP-C 260	AP-C 315	AP-C 400
Number of jaws		3	3	3	3	3
Radial jaw stroke	mm	3.6	4.6	5	6.3	7
Axial piston stroke	mm	17	22	24	30	33
Max. draw pull*	kN	30	42	55	65	75
Max. gripping force*	kN	72	112	150	180	210
Max. speed	r.p.m.	6000	5000	4000	3200	2400
Weight (without top jaws)	kg	10	19.5	32.5	56	90
Moment of inertia	kg·m ²	0.037	0.113	0.28	0.69	1.7
Recommended actuating cylinders	Type	SIN-S 100	SIN-S 100 / 125	SIN-S 125 / 150	SIN-S 125 / 150	SIN-S 150 / 175

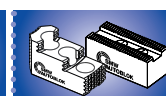
* For internal clamping reduce the draw pull by 30%.



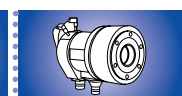
on request:
Tooling Standard
Parts Catalog



SMW-AUTOBLOK
460



SMW-AUTOBLOK
462



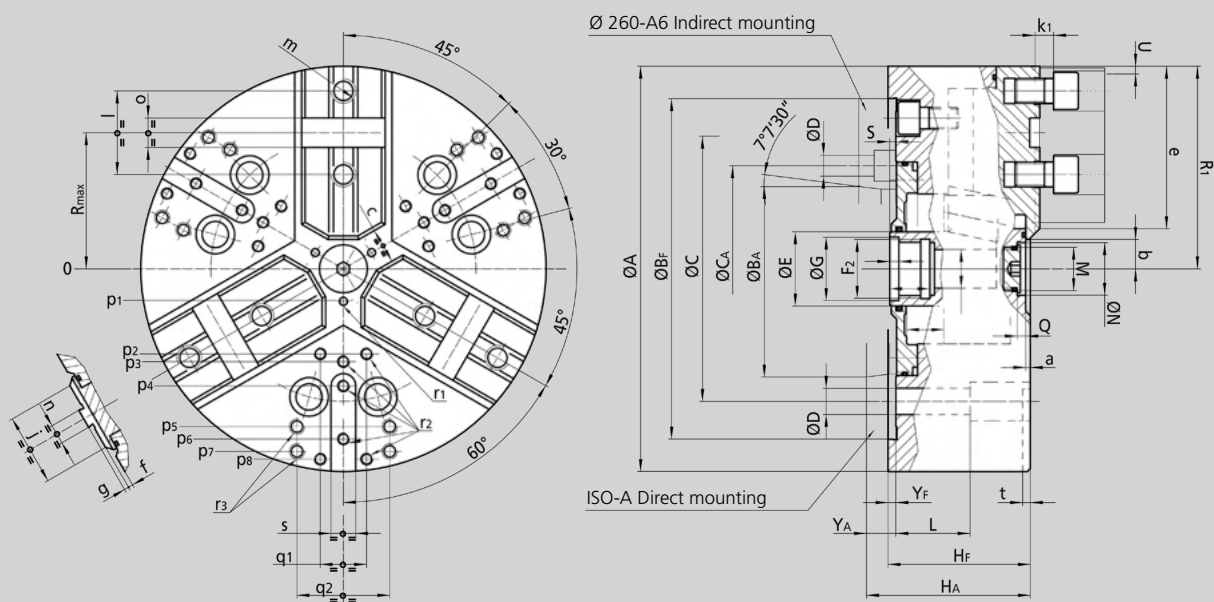
SMW-AUTOBLOK
321

High precision power chuck Ø 170 - 400 mm

AP[®]-C

- Closed center
- 3 jaws
- proofline[®] chucks = fully sealed - low maintenance

TONGUE & GROOVE



Subject to technical changes.
For more detailed information please ask our customer service.

SMW-AUTOBLOK Type			AP-C 170		AP-C 215		AP-C 260			AP-C 315		AP-C 400	
Mounting			Z140	A5	Z170	A6	Z220	A6	A8	Z220	A8	Z300	A11
	A	mm	172		216		262			315		390	
	BF/BAH6	mm	140	82.563	170	106.375	220	106.375	139.719	220	139.719	300	196.869
	C	mm	104.8		133.4		171.4			171.4		235	
	CA	mm	-	-	-	-	-	133.4	-	-	-	-	-
	D	mm	11.5		13.5		17			17		21	
	E	mm	32		42		48			48		75	
	F2	mm	M24 x 2		M32 x 1.5		M38 x 1.5			M38 x 1.5		M60 x 1.5	
	G H8	mm	25		33		39			39		61	
	HF/HA	mm	68	78	81	93	92	111	106	101	115	112	127
	K	mm	18.5		20		25			25		48	
	L	mm	23		32		38			38		54	
	M	mm	M10 x 1		M22 x 1.5		M28 x 1.5			M28 x 1.5		M52 x 1.5	
	N H9	mm	15		24		34			34		60	
	Q	mm	4.5		5.5		5.5			5.5		9	
Chuck open	R1	mm	86.5		108		131			157.5		195	
Max.	R	mm	56		72		88			105		133.5	
Max. / min.	S	mm	21 / 4		26 / 4		28 / 4			34 / 4		37 / 4	
Radial jaw stroke	U	mm	3.6		4.6		5			6.3		7	
	W	mm	22		26		26			26		38	
	YF/YA	mm	5	15	5	17	5	24	19	5	19	6	21
Max. / min.	Z	mm	17 / 0		22 / 0		24 / 0			30 / 0		33 / 0	
	a	mm	3		3		3			3		3	
Min.	b	mm	8.5		12		14			16.5		31	
Min.	c	mm	9		13		14			16		38	
	e	mm	70		87		107			129		150	
	f	mm	3		3		3			3		6	
	g	mm	3		3		3			3		3	
	j	mm	34		46		48			58		63	
	k1	mm	10		11		12			12		14	
	l	mm	38		44.4		54			63.5		76.2	
	m	mm	M10		M12		M16			M16		M20	
	n h8	mm	7.94		7.94		12.70			12.70		12.70	
	o H7	mm	12.68		12.68		19.03			19.03		19.03	
	p1	mm	16		16		21			21		37.5	
	p2	mm	-		-		-			60		80	
	p3	mm	38		49		55			62.5		83	
	p4	mm	-		80		70			80		110	
	p5	mm	65		80		102			102		140	
	p6	mm	70		-		102			120		155	
	p7	mm	-		-		-			135		170	
	p8	mm	-		-		-			-		170	
	q1	mm	-		-		-			30		36	
	q2	mm	36		45		60			60		80	
	r1	mm	M5 / 7		M5 / 8		M6 / 10			M6 / 10		M6 / 12	
	r2	mm	M6 / 14		M8 / 17		M8 / 17			M8 / 17		M10 / 19	
	r3	mm	M8 / 17		M8 / 17		M10 / 19			M10 / 19		M12 / 22	
	s	mm	16		16		16			16		20	
	t	mm	5		5		5			5		5	

APL-D

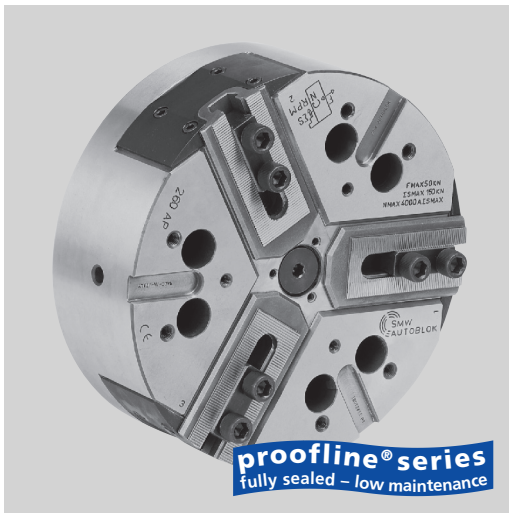
INCH
SERRATION

APL-M

METRIC
SERRATION

High precision power chuck Ø 215 - 400 mm

- Closed center
- Long stroke
- 3 jaws
- proofline® chucks = fully sealed - low maintenance



Application/customer benefits

- For mid to large batch production
- Fully sealed, ideal for dry machining of castings and forgings or if high pressure coolant is used
- Large clamping range

APL-D: Master jaws with INCH SERRATION (1/16" x 90°, 3/32" x 90°)

APL-M: Master jaws with METRIC SERRATION (1.5 mm x 60°)
(suitable for japanese chuck top jaws)

Technical features

- EXTRA long jaw stroke
- Constant gripping force with permanent grease lubrication
- Central bore for coolant and / or air
- Chuck body and internal parts case hardened
- **proofline® chucks** = fully sealed - low maintenance

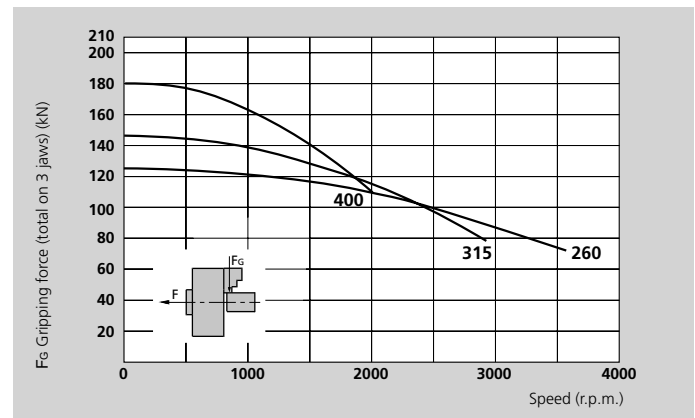
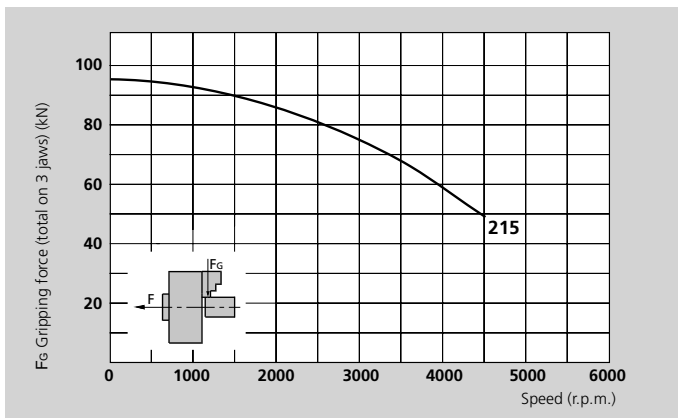
Standard equipment

- 3-jaw chuck
- 1 set T-nuts and bolts
- 1 set soft top jaws
- Mounting bolts

Ordering example

- 3-jaw chuck APL-D 215 / A6
- or
- 3-jaw chuck APL-M 260 / Z220

Actual gripping force diagrams



The data in the diagrams refer to 3-jaw chucks, newly maintained according to their service manuals using SMW-AUTOBLOK K67 grease. The static and dynamic gripping forces have been measured using standard soft top jaws, placed in a position not exceeding the outer diameter of the chuck.

△ Safety advice / danger of damage:

When using taller / heavier jaws and / or clamping on a bigger diameter reduce draw pull / rotating speed accordingly.

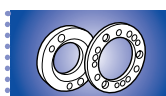
Technical data

SMW-AUTOBLOK Type		APL-D 215 APL-M 215	APL-D 260 APL-M 260	APL-D 315 APL-M 315	APL-D 400 APL-M 400
Radial jaw stroke	mm	8.5	9.7	12.1	13.3
Axial piston stroke	mm	21	24	30	33
Max. draw pull*	kN	53	68	80	100
Max. gripping force*	kN	95	125	145	180
Max. speed	r.p.m.	4500	3600	2800	2000
Weight (without top jaws)	kg	19.5	32.5	56	90
Moment of inertia	kg·m ²	0.113	0.28	0.69	1.7
Recommended actuating cylinders	Type	SIN-S 100 / 125	SIN-S 125 / 150	SIN-S 125 / 150	SIN-S 150 / 175

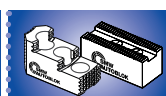
* For internal clamping reduce the draw pull by 30%.



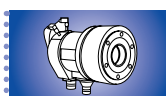
on request:
Tooling Standard
Parts Catalog



SMW-AUTOBLOK
460



SMW-AUTOBLOK
462



SMW-AUTOBLOK
321

High precision power chuck Ø 215 - 400 mm

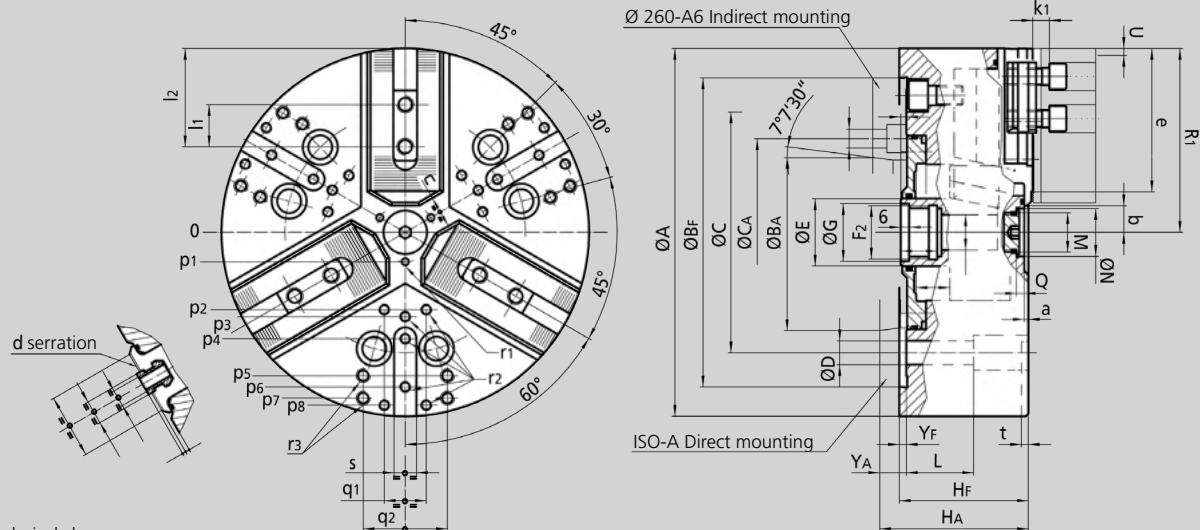
- Closed center
- Long stroke
- 3 jaws
- proofline® chucks = fully sealed – low maintenance

APL-D

INCH
SERRATION

APL-M

METRIC
SERRATION



Subject to technical changes.
For more detailed information please ask our customer service.

SMW-AUTOBLOK Type			APL-D 215 APL-M 215		APL-D 260 APL-M 260			APL-D 315 APL-M 315		APL-D 400 APL-M 400	
Mounting			Z170	A6	Z220	A6	A8	Z220	A8	Z300	A11
	A	mm	216		262			315		390	
	Bf/BA H6	mm	170	106.375	220	106.375	139.719	220	139.719	300	196.869
	C	mm	133.4		171.4			171.4		235	
	CA	mm	-	-	-	133.4	-	-	-	-	-
	D	mm	13.5		17			17		21	
	E	mm	42		48			48		75	
	F2	mm	M32 x 1.5		M38 x 1.5			M38 x 1.5		M60 x 1.5	
	G H8	mm	33		39			39		61	
	Hf/HA	mm	81	93	92	111	106	101	115	112	127
	K	mm	20		25			25		48	
	L	mm	32		38			38		54	
	M	mm	M22 x 1.5		M28 x 1.5			M28 x 1.5		M52 x 1.5	
	N H9	mm	24		34			34		60	
	Q	mm	5.5		5.5			5.5		9	
Chuck open	R1	mm	112.5		136			163.5		202	
Max. / min.	S	mm	25 / 4		28 / 4			34 / 4		37 / 4	
Radial jaw stroke	U	mm	8.5		9.7			12.1		13.3	
	W	mm	26		26			26		38	
	Yf/YA	mm	5	17	5	24	19	5	19	6	21
Max. / min.	Z	mm	21 / 0		24 / 0			30 / 0		33 / 0	
Min.	a	mm	3		3			3		3	
Min.	b	mm	8.5		9			11		24.5	
Min.	c	mm	6.2		6			6		28	
APL-D	d	inch	1/16" x 90°		1/16" x 90°			1/16" x 90°		3/32" x 90° ⁽¹⁾	
APL-M	d	mm	1.5 x 60°		1.5 x 60°			1.5 x 60°		1.5 x 60°	
	e	mm	82.5		102			123.5		145.5	
	f	mm	3		3			3		6	
	g	mm	2.5		2.5			3.5		3.5	
	j	mm	46		48			58		63	
	k1	mm	11		12			12		14	
APL-D	l1	mm	23		30			30		38	
APL-M	l1	mm	25		30			30		38	
Max. / min.	l2	mm	53 / 33		73 / 41			88 / 43		102 / 54	
APL-D	m	mm	M12		M12			M16		M20	
APL-M	m	mm	M12		M12			M16		M20	
APL-D	n h8	mm	17		17			21		25.5	
APL-M	n h8	mm	14		16			21		22	
	p1	mm	16		21			21		37.5	
	p2	mm	-		-			60		80	
	p3	mm	49		55			62.5		83	
	p4	mm	80		70			80		110	
	p5	mm	80		102			102		140	
	p6	mm	-		102			120		155	
	p7	mm	-		-			135		170	
	p8	mm	-		-			-		170	
	q1	mm	-		-			30		36	
	q2	mm	45		60			60		80	
	r1	mm	M5 / 8		M6 / 10			M6 / 10		M6 / 12	
	r2	mm	M8 / 17		M8 / 17			M8 / 17		M10 / 19	
	r3	mm	M8 / 17		M10 / 19			M10 / 19		M12 / 22	
	s	mm	16		16			16		20	
	t	mm	5		5			5		5	

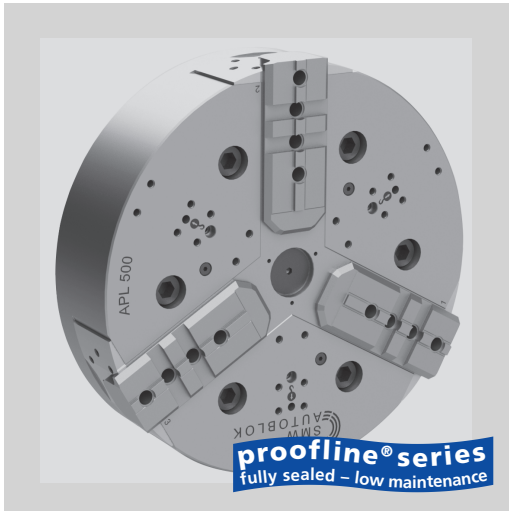
⁽¹⁾ Serration 1/16 x 90° on request.

APL-DINCH
SERRATION**APL-C**

TONGUE & GROOVE

High precision power chuck Ø 500 - 1000 mm

- Closed center
- Long stroke
- 3 jaws
- proofline® chucks = fully sealed - low maintenance

**Application/customer benefits**

- For large batch production
- Fully sealed, ideal for dry machining of castings and forgings or if high pressure coolant is used
- Large clamping range

APL-D: INCH SERRATION master jaws**APL-C:** TONGUE & GROOVE master jaws (American Standard)**Technical features**

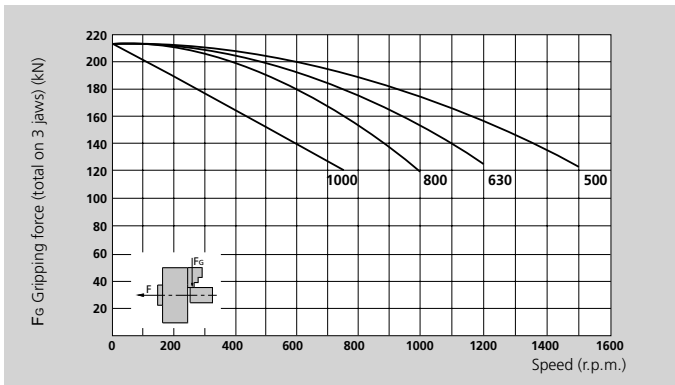
- EXTRA long jaw stroke
- Constant gripping force with permanent grease lubrication
- Center bore for coolant and / or air
- Chuck body and internal parts case hardened
- **proofline® chucks** = fully sealed - low maintenance

Standard equipment

- 3-jaw chuck
- 1 set T-nuts and bolts (no APL-C)
- 1 set soft top jaws (no APL-C)
- Mounting bolts

Ordering example

3-jaw chuck APL-C 630 Z380

Actual gripping force diagram

The data in the diagrams refer to 3-jaw chucks, newly maintained according to their service manuals using SMW-AUTOBLOK K67 grease. The static and dynamic gripping forces have been measured using standard soft top jaws, placed in a position not exceeding the outer diameter of the chuck.

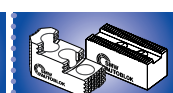
△ Safety advice / danger of damage:

When using taller / heavier jaws and / or clamping on a bigger diameter reduce draw pull/rotating speed accordingly.

Technical data

SMW-AUTOBLOK Type		APL-D 500 APL-C 500	APL-D 630 APL-C 630	APL-D 800 APL-C 800	APL-D 1000 APL-C 1000
Radial jaw stroke	mm	13.3	13.3	13.3	13.3
Axial piston stroke	mm	33	33	33	33
Max. draw pull*	kN	120	120	120	120
Max. gripping force*	kN	215	215	215	215
Max. speed	r.p.m.	1400	1000	800	750
Weight (without top jaws)	kg	170	297	535	840
Moment of inertia	kg·m ²	5.5	14.6	44	105
Recommended actuating cylinders	Type	SIN-S 175 / 200	SIN-S 175 / 200	SIN-S 175 / 200	SIN-S 175 / 200

* For internal clamping reduce the draw pull by 30%.

SMW-AUTOBLOK
460SMW-AUTOBLOK
462SMW-AUTOBLOK
321

High precision power chuck Ø 500 - 1000 mm

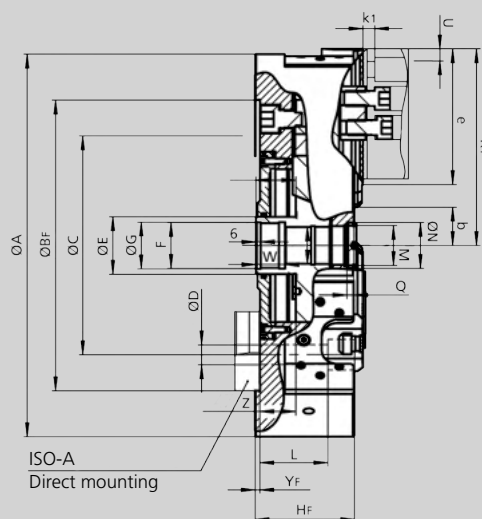
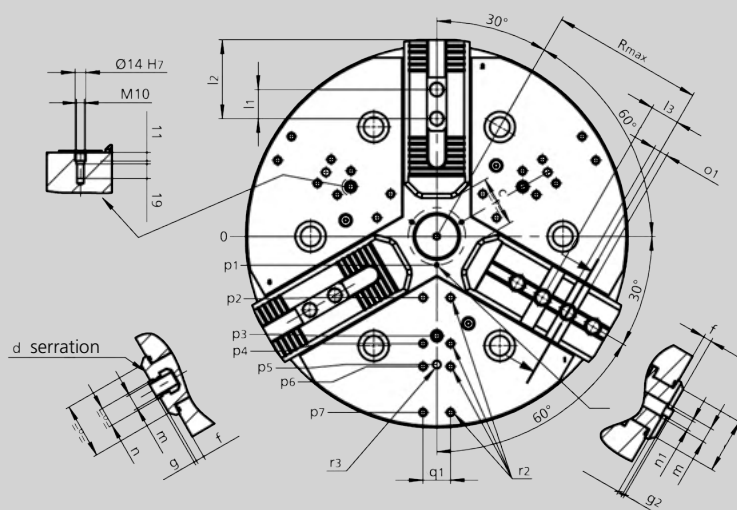
- Closed center
- Long stroke
- 3 jaws
- proofline® chucks = fully sealed - low maintenance

APL-D

INCH
SERRATION

APL-C

TONGUE & GROOVE



Subject to technical changes.
For more detailed information please ask our customer service.

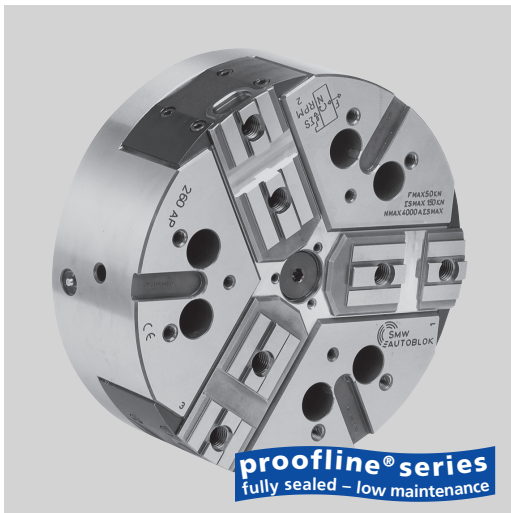
SMW-AUTOBLOK Type			APL-D 500 APL-C 500	APL-D 630 APL-C 630	APL-D 800 APL-C 800	APL-D 1000 APL-C 1000
Mounting			Z380	Z380	Z520	Z520
	A	mm	500	630	800	1000
	Bf H6	mm	380	380	520	520
	C	mm	330.2	330.2	463.6	463.6
	D	mm	26	26	26	26
	E	mm	75	75	75	75
	F	mm	M60 x 1.5	M60 x 1.5	M60 x 1.5	M60 x 1.5
	G H8	mm	61	61	61	61
	Hf	mm	130	140	150	150
	K	mm	48	48	48	48
	L	mm	89	89	89	89
	M	mm	M52 x 1.5	M52 x 1.5	M52 x 1.5	M52 x 1.5
	N H8	mm	60	60	60	60
	Q	mm	7.5	7.5	7.5	7.5
Chuck open	R1	mm	257	322	407	507
Max.	R	mm	198	250	351	465
	S	mm	52	52	52	52
Jaw stroke	U	mm	13.3	13.3	13.3	13.3
	W	mm	38	38	38	38
Max. / min.	Z	mm	47 / 14	57 / 24	57 / 24	67 / 34
Min.	b	mm	36.5	36.5	36.5	36.5
Min.	c	mm	42	42	42	42
	d	mm	3 / 32 x 90°	3 / 32 x 90°	3 / 32 x 90°	3 / 32 x 90°
	e	mm	177	242	327	457
	f	mm	11	11	11	11
	g	mm	3.5	3.5	3.5	3.5
	g2	mm	3	3	3	3
	g3	mm	6.5	6.5	6.5	6.5
	j	mm	72	72	72	72
	k1	mm	16	16	16	16
	l1	mm	38	38	38	38
Max. / min.	l2	mm	145 / 54	210 / 54	295 / 54	393 / 54
	l3	mm	38.1	38.1	38.1	38.1
	m	mm	M20	M20	M20	M20
	n H8	mm	25.5	25.5	25.5	25.5
	n1 H8	mm	12.7	12.7	12.7	12.7
	o1	mm	19.03	19.03	19.03	19.03
	p1	mm	37.5	37.5	37.5	37.5
	p2	mm	80	80	-	80
	p3	mm	130	130	130	130
	p4	mm	140	170	200	170
	p5	mm	167.5	280	280	280
	p6	mm	170	-	290	260
	p7	mm	230	260	380	350
	q1	mm	36	36	36	36
	r1	mm	M6	M6	M6	M6
	r2	mm	M10	M10	M10	M10
	r3	mm	M12	M16	M16	M16
	Yf	mm	6	6	6	6
Number of „o1“ cross grooves (only for APL-C)			2	3	6	9
Number of „m“ threads (only for APL-C)			4	5	8	10

APL-C

TONGUE & GROOVE

High precision power chuck Ø 215 - 400 mm

- Long stroke
- Closed center
- 3 jaws
- proofline® chucks = fully sealed - low maintenance



Application/customer benefits

- For large batch production
- Fully sealed, ideal for dry machining of castings and forgings or if high pressure coolant is used
- Extra long jaw stroke for clamping / reaching over different diameters on workpieces

APL-C: TONGUE & GROOVE master jaws (American Standard)

Technical features

- EXTRA long jaw stroke
- Constant gripping force with permanent grease lubrication
- Center bore for coolant and / or air
- Chuck body and internal parts case hardened
- **proofline® chucks** = fully sealed - low maintenance

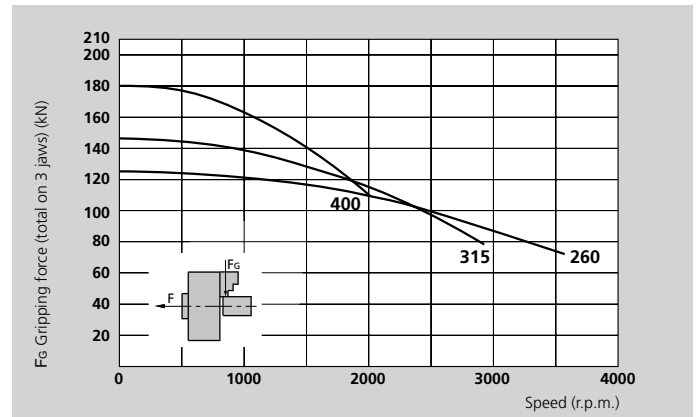
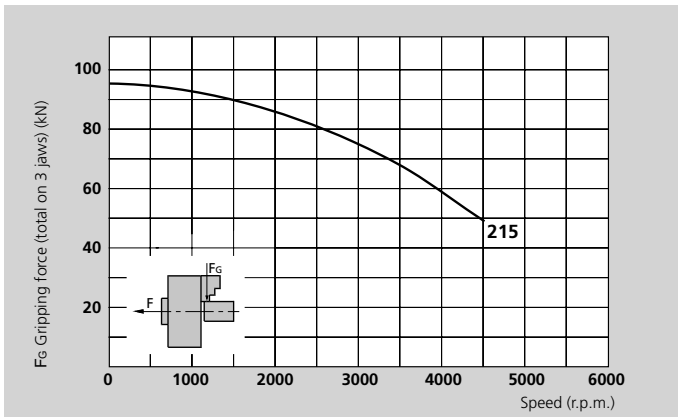
Standard equipment

3-jaw chuck
Mounting bolts

Ordering example

3-jaw chuck APL-C 215 / A6

Actual gripping force diagrams



The data in the diagrams refer to 3-jaw chucks, newly maintained according to their service manuals using SMW-AUTOBLOK K67 grease. The static and dynamic gripping forces have been measured using standard soft top jaws, placed in a position not exceeding the outer diameter of the chuck.

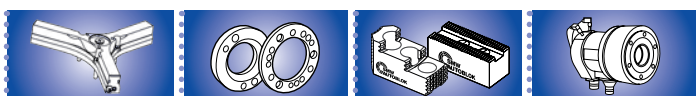
⚠ Safety advice / danger of damage:

When using taller / heavier jaws and / or clamping on a bigger diameter reduce draw pull / rotating speed accordingly.

Technical data

SMW-AUTOBLOK Type		APL-C 215	APL-C 260	APL-C 315	APL-C 400
Radial jaw stroke	mm	8.5	9.7	12.1	13.3
Axial piston stroke	mm	21	24	30	33
Max. draw pull*	kN	53	68	80	100
Max. gripping force*	kN	95	125	145	180
Max. speed	r.p.m.	4500	3600	2800	2000
Weight (without top jaws)	kg	19.5	32.5	56	90
Moment of inertia	kg·m ²	0.113	0.28	0.69	1.7
Recommended actuating cylinders	Type	SIN-S 100 / 125	SIN-S 125 / 150	SIN-S 125 / 150	SIN-S 150 / 175

* For internal clamping reduce the draw pull by 30%.



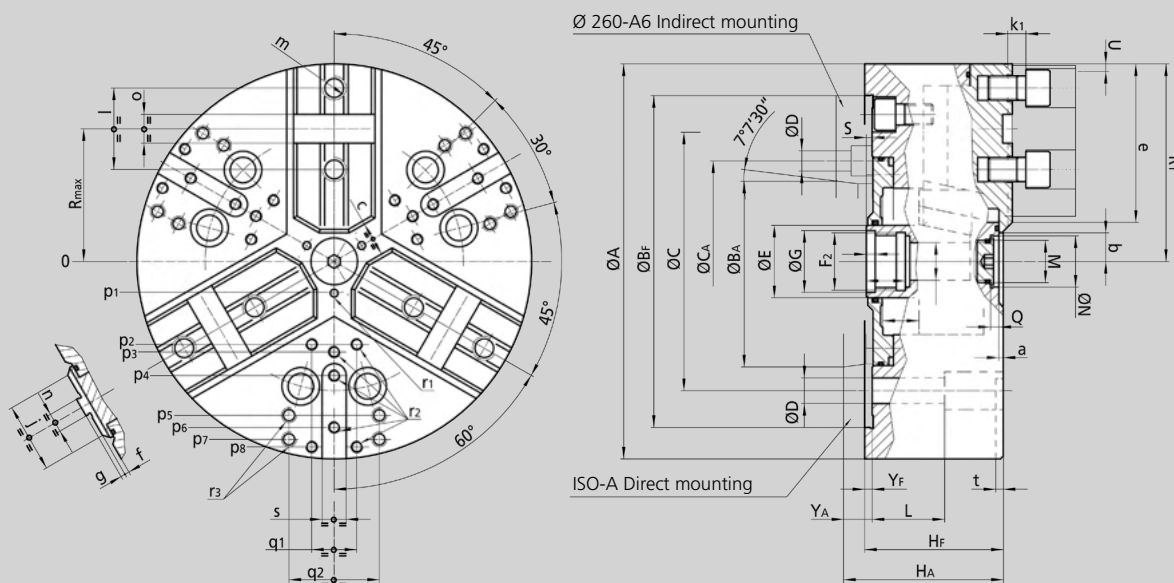
- on request:
• Tooling Standard
• Parts Catalog
- SMW-AUTOBLOK
• 460
- SMW-AUTOBLOK
• 462
- SMW-AUTOBLOK
• 321

High precision power chuck Ø 215 - 400 mm

- Long stroke
- Closed center
- 3 jaws
- proofline® chucks = fully sealed - low maintenance

APL-C

TONGUE & GROOVE



Subject to technical changes.
For more detailed information please ask our customer service.

SMW-AUTOBLOK Type			APL-C 215		APL-C 260			APL-C 315		APL-C 400	
Mounting			Z170	A6	Z220	A6	A8	Z220	A8	Z300	A11
	A	mm	216		262			315		390	
	Bf/BA H6	mm	170	106.375	220	106.375	139.719	220	139.719	300	196.869
	C	mm	133.4		171.4	171.4		171.4		235	
	CA	mm	-	-	-	133.4	-	-	-	-	-
	D	mm	13.5		17	13.5	17	17		21	
	E	mm	42		48			48		75	
	F2	mm	M32 x 1.5		M38 x 1.5			M38 x 1.5		M60 x 1.5	
	G H8	mm	33		39			39		61	
	Hf/HA	mm	81	93	92	111	106	101	115	112	127
	K	mm	20		25			25		48	
	L	mm	32		38			38		54	
	M	mm	M22 x 1.5		M28 x 1.5			M28 x 1.5		M52 x 1.5	
	N H9	mm	24		34			34		60	
	Q	mm	5.5		5.5			5.5		9	
Chuck open	R1	mm	112.5		136			163.5		202	
Max.	R	mm	76		92.5			111		139	
Max. / min.	S	mm	25 / 4		28 / 4			34 / 4		37 / 4	
Radial jaw stroke	U	mm	8.5		9.7			12.1		13.3	
	W	mm	26		26			26		38	
	Yf/YA	mm	5	17	5	24	19	5	19	6	21
Max. / min.	Z	mm	21 / 0		24 / 0			30 / 0		33 / 0	
	a	mm	3		3			3		3	
Min.	b	mm	8.5		9			11		24.5	
Min.	c	mm	6.2		6			6		28	
	e	mm	87		107			129		150	
	f	mm	3		3			3		6	
	g	mm	3		3			3		3	
	j	mm	46		48			58		63	
	k1	mm	11		12			12		14	
	l	mm	44.4		54			63.5		76.2	
	m	mm	M12		M16			M16		M20	
	n h8	mm	7.94		12.70			12.70		12.70	
	o H7	mm	12.68		19.03			19.03		19.03	
	p1	mm	16		21			21		37.5	
	p2	mm	-		-			60		80	
	p3	mm	49		55			62.5		83	
	p4	mm	80		70			80		110	
	p5	mm	80		102			102		140	
	p6	mm	-		102			120		155	
	p7	mm	-		-			135		170	
	p8	mm	-		-			-		170	
	q1	mm	-		-			30		36	
	q2	mm	45		60			60		80	
	r1	mm	M5 / 8		M6 / 10			M6 / 10		M6 / 12	
	r2	mm	M8 / 17		M8 / 17			M8 / 17		M10 / 19	
	r3	mm	M8 / 17		M10 / 19			M10 / 19		M12 / 22	
	s	mm	16		16			16		20	
	t	mm	5		5			5		5	

NT-C

TONGUE & GROOVE

High precision power chuck \varnothing 170 - 400 mm

- Centrifugal force compensation
- Closed center
- 3 jaws
- proofline® chucks = fully sealed - low maintenance



Application/customer benefits

- For large batch production
- Safe clamping due to centrifugal force compensation, for high speed machining and for fragile parts
- Fully sealed, ideal for dry machining of castings and forgings or if high pressure coolant is used

NT-C: TONGUE & GROOVE master jaws (American Standard)

Technical features

- Centrifugal force compensation
- Constant gripping force with permanent grease lubrication
- Center bore for coolant and / or air
- Chuck body and internal parts case hardened
- **proofline® chucks** = fully sealed - low maintenance

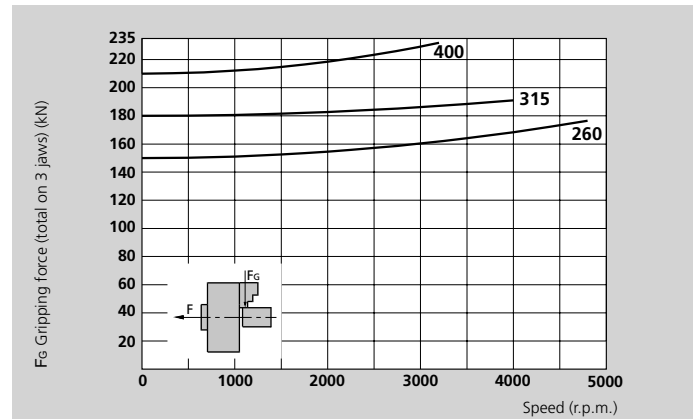
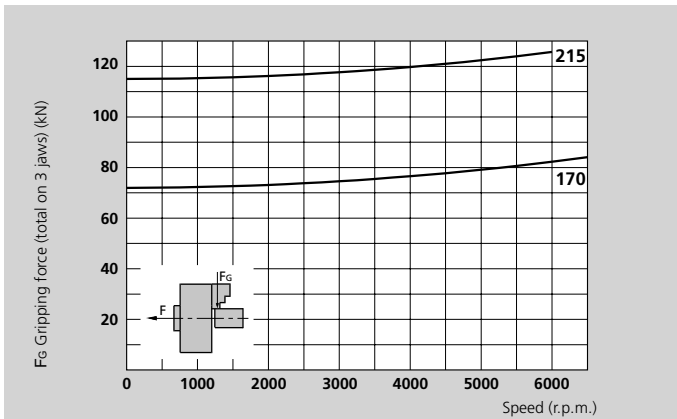
Standard equipment

3-jaw chuck
Mounting bolts

Ordering example

3-jaw chuck NT-C 215 / A6

Actual gripping force diagrams



The data in the diagrams refer to 3-jaw chucks, newly maintained according to their service manuals using SMW-AUTOBLOK K67 grease. The static and dynamic gripping forces have been measured using standard soft top jaws, placed in a position not exceeding the outer diameter of the chuck.

⚠ Safety advice / danger of damage:

When using taller / heavier jaws and / or clamping on a bigger diameter reduce draw pull / rotating speed accordingly.

Technical data

SMW-AUTOBLOK Type		NT-C 170	NT-C 215	NT-C 260	NT-C 315	NT-C 400
Number of jaws		3	3	3	3	3
Radial jaw stroke	mm	3.6	4.6	5	6.3	7
Axial piston stroke	mm	17	22	24	30	33
Max. draw pull*	kN	30	42	55	65	75
Max. gripping force*	kN	72	112	150	180	210
Max. speed	r.p.m.	6500	6000	4800	4000	3200
Weight (without top jaws)	kg	13	25	40	68	112
Moment of inertia	kg·m ²	0.048	0.146	0.34	0.84	2.15
Recommended actuating cylinders	Type	SIN-S 100	SIN-S 100 / 125	SIN-S 125 / 150	SIN-S 125 / 150	SIN-S 150 / 175

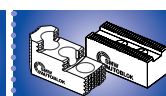
* For internal clamping reduce the draw pull by 30%.



• on request:
• Tooling Standard
• Parts Catalog



• SMW-AUTOBLOK
• 460



• SMW-AUTOBLOK
• 462



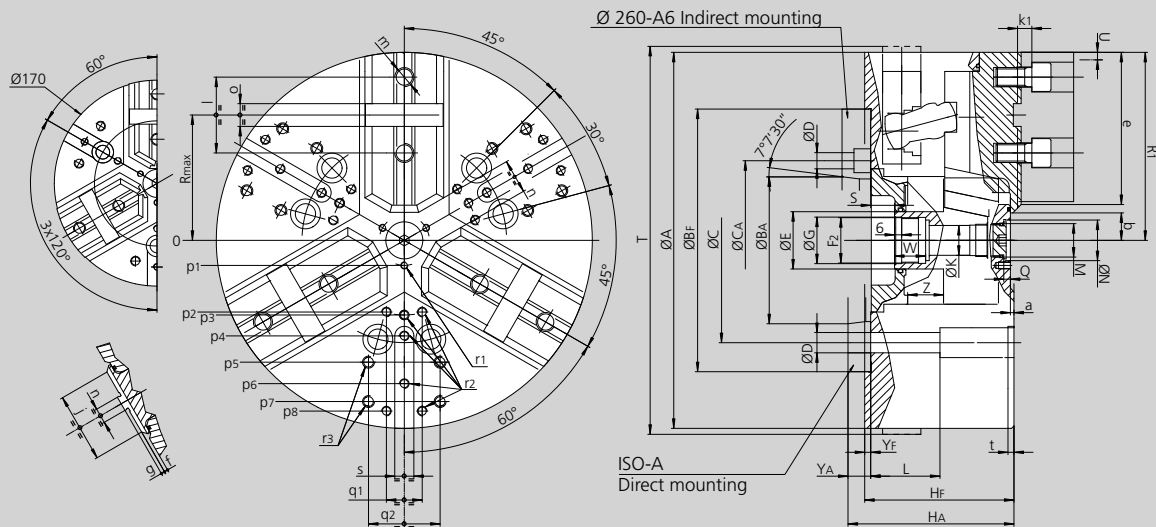
• SMW-AUTOBLOK
• 321

High precision power chuck Ø 170 - 400 mm

- Centrifugal force compensation
- Closed center
- 3 jaws
- proofline® chucks = fully sealed - low maintenance

NT-C

TONGUE & GROOVE



Subject to technical changes.
For more detailed information please ask our customer service.

SMW-AUTOBLOK Type			NT-C 170		NT-C 215		NT-C 260			NT-C 315		NT-C 400	
Mounting			Z140	A5	Z170	A6	Z220	A6	A8	Z220	A8	Z300	A11
	A	mm	172		216		262			315		390	
	Bf/BAH6	mm	140	82.563	170	106.375	220	106.375	139.719	220	139.719	300	196.869
	C	mm	104.8		133.4		171.4	-	171.4	171.4		-	235
	CA	mm	-	-	-	-	-	133.4	-	-	-	-	-
	D	mm	11.5		13.5		17	13.5	17	17		21	
	E	mm	32		42		48			48		75	
	F2	mm	M24 x 2		M32 x 1.5		M38 x 1.5			M38 x 1.5		M60 x 1.5	
	G H8	mm	25		33		39			39		61	
	Hf/HA	mm	92	102	104	116	118	137	132	125	139	149	164
	K	mm	18.5		20		25			25		48	
	L	mm	43		52		58			58		74	
	M	mm	M10 x 1		M22 x 1.5		M28 x 1.5			M28 x 1.5		M52 x 1.5	
	N H9	mm	15		24		34			34		60	
	Q	mm	4.5		5.5		5.5			5.5		9	
Max.	R	mm	56		72		88			105		133.5	
Chuck open	R1	mm	86.5		108		131			157.5		195	
Max. / min.	S	mm	20 / 3		19 / -3		22 / -2			20 / -10		33 / 0	
Chuck fully closed	T	mm	175		220		-			-		-	
Radial jaw stroke	U	mm	3.6		4.6		5			6.3		7	
	W	mm	22		26		26			26		38	
	Yf/YA	mm	5	15	5	17	5	24	19	5	19	6	21
Max. / min.	Z	mm	17 / 0		22 / 0		24 / 0			30 / 0		33 / 0	
Min.	a	mm	3		3		3			3		3	
Min.	b	mm	8.5		12		14			16.5		31	
	c	mm	9		13		14			16		38	
	e	mm	70		87		107			129		150	
	f	mm	3		3		3			3		6	
	g	mm	3		3		3			3		3	
	j	mm	34		46		48			58		63	
	k1	mm	10		11		12			12		14	
	l	mm	38		44.4		54			63.5		76.2	
	m	mm	M10		M12		M16			M16		M20	
	n	mm	7.94		7.94		12.7			12.7		12.7	
	o	mm	12.68		12.68		19.03			19.03		19.03	
	p1	mm	16		16		21			21		37.5	
	p2	mm	-		-		-			60		80	
	p3	mm	38		49		55			62.5		83	
	p4	mm	-		80		70			80		110	
	p5	mm	65		80		102			102		140	
	p6	mm	70		-		102			120		155	
	p7	mm	-		-		-			135		170	
	p8	mm	-		-		-			-		170	
	q1	mm	-		-		-			30		36	
	q2	mm	36		45		60			60		80	
	r1	mm	M5 / 7		M5 / 8		M6 / 10			M6 / 10		M6 / 12	
	r2	mm	M6 / 14		M8 / 17		M8 / 17			M8 / 17		M10 / 19	
	r3	mm	M8 / 17		M8 / 17		M10 / 19			M10 / 19		M12 / 22	
	s	mm	16		16		16			16		20	
	t	mm	5		5		5			5		5	

NT-DINCH
SERRATION**NT-M**METRIC
SERRATION**High precision power chuck Ø 170 - 400 mm**

- Centrifugal force compensation
- Closed center
- 3 jaws
- proofline® chucks = fully sealed - low maintenance

**Application/customer benefits**

- For mid to large batch production
- Fully sealed, ideal for dry machining of castings and forgings or if high pressure coolant is used
- Safe clamping due to centrifugal force compensation, for high speed machining and for fragile parts

NT-D: Master jaws with INCH SERRATION (1/16" x 90°, 3/32" x 90°)**NT-M:** Master jaws with METRIC SERRATION (1.5 mm x 60°) (suitable for japanese chuck top jaws)**Technical features**

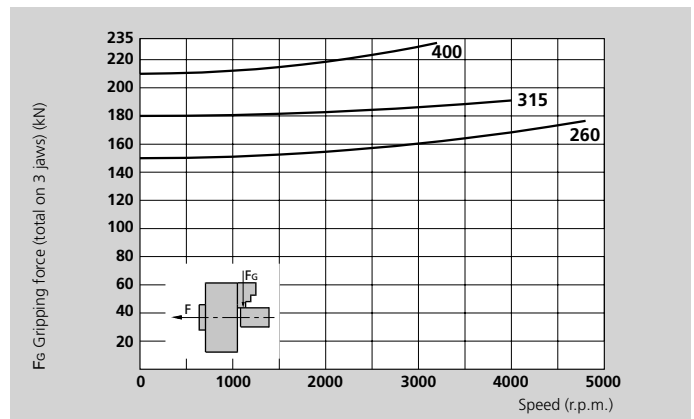
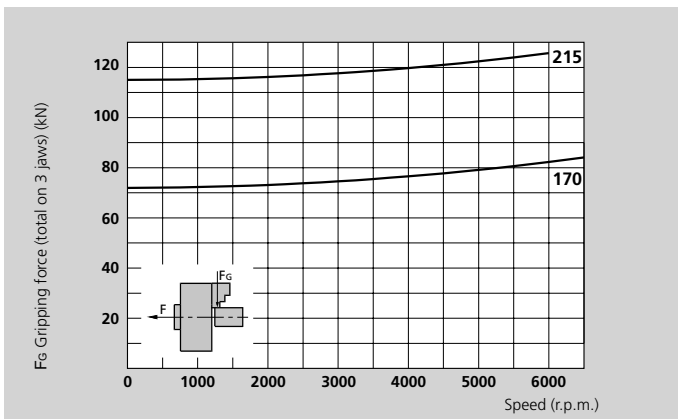
- Centrifugal force compensation via counterweights
- Constant gripping force with permanent grease lubrication
- Center bore for coolant and / or air
- Chuck body and internal parts case hardened
- **proofline® chucks** = fully sealed - low maintenance

Standard equipment

- 3-jaw chuck
- 1 set T-nuts and bolts
- 1 set soft top jaws

Ordering example

- 3-jaw chuck NT-D 215 / A6
- or
- 3-jaw chuck NT-M 260 / Z220

Actual gripping force diagrams

The data in the diagrams refer to 3-jaw chucks, newly maintained according to their service manuals using SMW-AUTOBLOK K67 grease. The static and dynamic gripping forces have been measured using standard soft top jaws, placed in a position not exceeding the outer diameter of the chuck.

⚠ Safety advice / danger of damage:

When using taller / heavier jaws and / or clamping on a bigger diameter reduce draw pull / rotating speed accordingly.

Technical data

SMW-AUTOBLOK Type		NT-D 170 NT-M 170	NT-D 215 NT-M 215	NT-D 260 NT-M 260	NT-D 315 NT-M 315	NT-D 400 NT-M 400
Number of jaws		3	3	3	3	3
Radial jaw stroke	mm	3.6	4.6	5	6.3	7
Axial piston stroke	mm	17	22	24	30	33
Max. draw pull*	kN	30	42	55	65	75
Max. gripping force*	kN	72	112	150	180	210
Max. speed	r.p.m.	6500	6000	4800	4000	3200
Weight (without top jaws)	kg	13	25	40	68	112
Moment of inertia	kg·m ²	0.048	0.146	0.34	0.84	2.15
Recommended actuating cylinders	Type	SIN-S 100	SIN-S 100 / 125	SIN-S 125 / 150	SIN-S 125 / 150	SIN-S 150 / 175

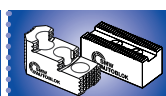
* For internal clamping reduce the draw pull by 30%.



on request:
Tooling Standard
Parts Catalog



SMW-AUTOBLOK
460



SMW-AUTOBLOK
462



SMW-AUTOBLOK
321

High precision power chuck Ø 170 - 400 mm

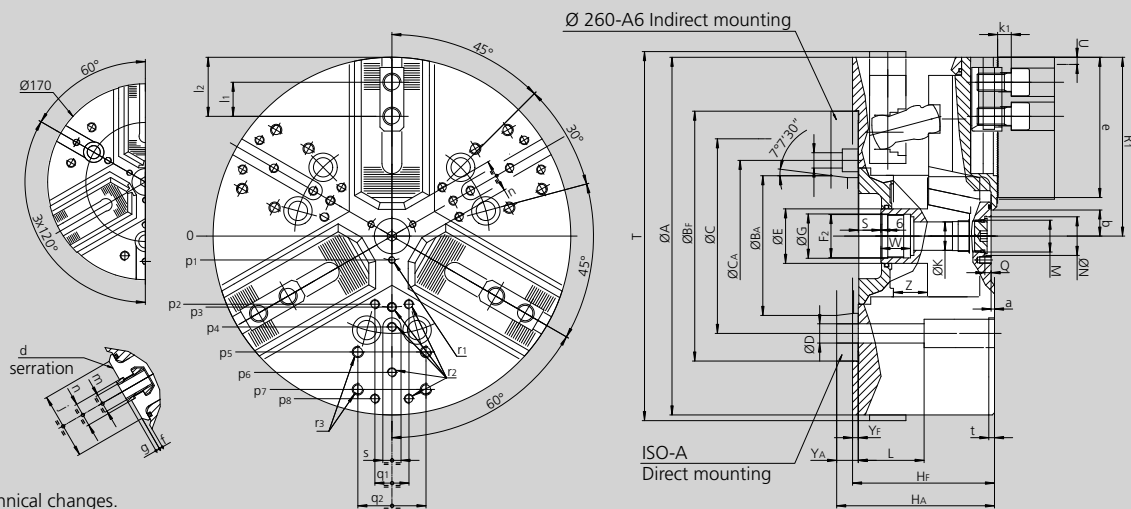
- Centrifugal force compensation
- Closed center
- 3 jaws
- proofline® chucks = fully sealed - low maintenance

NT-D

INCH
SERRATION

NT-M

METRIC
SERRATION



Subject to technical changes.
For more detailed information please ask our customer service.

SMW-AUTOBLOK Type			NT-D 170 NT-M 170		NT-D 215 NT-M 215		NT-D 260 NT-M 260			NT-D 315 NT-M 315		NT-D 400 NT-M 400	
Mounting			Z140	A5	Z170	A6	Z220	A6	A8	Z220	A8	Z300	A11
	A	mm	172		216		262			315		390	
	Bf/BAH6	mm	140	82.563	170	106.375	220	106.375	139.719	220	139.719	300	196.869
	C	mm	104.8		133.4		171.4	-	171.4	171.4		235	
	CA	mm	-	-	-	-	-	133.4	-	-	-	-	-
	D	mm	11.5		13.5		17	13.5	17	17		21	
	E	mm	32		42		48			48		75	
	F2	mm	M24 x 2		M32 x 1.5		M38 x 1.5			M38 x 1.5		M60 x 1.5	
	G H8	mm	25		33		39			39		61	
	Hf/HA	mm	92	102	104	116	118	137	132	125	139	149	164
	K	mm	18.5		20		25			25		48	
	L	mm	43		52		58			58		74	
	M	mm	M10 x 1		M22 x 1.5		M28 x 1.5			M28 x 1.5		M52 x 1.5	
	N H9	mm	15		24		34			34		60	
	Q	mm	4.5		5.5		5.5			5.5		9	
Chuck open	R1	mm	86.5		108		131			157.5		195	
Max. / min.	S	mm	20 / 3		19 / -3		22 / -2			20 / -10		33 / 0	
Chuck fully closed	T	mm	175		220		-			-		-	
Radial jaw stroke	U	mm	3.6		4.6		5			6.3		7	
	W	mm	22		26		26			26		38	
	Yf/YA	mm	5	15	5	17	5	24	19	5	19	6	21
Max. / min.	Z	mm	17 / 0		22 / 0		24 / 0			30 / 0		33 / 0	
	a	mm	3		3		3			3		3	
Min.	b	mm	8.5		12		14			16.5		31	
Min.	c	mm	9		13		14			16		38	
NT-D serration	d	inch	1/16" x 90°		1/16" x 90°		1/16" x 90°			1/16" x 90°		3/32" x 90° ⁽¹⁾	
NT-M serration	d	mm	1.5 x 60°		1.5 x 60°		1.5 x 60°			1.5 x 60°		1.5 x 60°	
	e	mm	67		82		102			123		144	
	f	mm	3		3		3			3		6	
	g	mm	2.5		2.5		2.5			3.5		3.5	
	j	mm	34		46		48			58		63	
	k1	mm	10		11		12			12		14	
NT-D	l1	mm	16.5		23		30			30		38	
NT-M	l1	mm	20		25		30			30		38	
	l2	mm	43 / 24		53 / 33		70 / 41			84 / 43		98 / 54	
NT-D	m	mm	M10		M12		M12			M16		M20	
NT-M	m	mm	M10		M12		M12			M16		M20	
NT-D	n	mm	14		17		17			21		25.5	
NT-M	n	mm	12		14		16			21		22	
	p1	mm	16		16		21			21		37.5	
	p2	mm	-		-		-			60		80	
	p3	mm	38		49		55			62.5		83	
	p4	mm	-		80		70			80		110	
	p5	mm	65		80		102			102		140	
	p6	mm	70		-		102			120		155	
	p7	mm	-		-		-			135		170	
	p8	mm	-		-		-			-		170	
	q1	mm	-		-		-			30		36	
	q2	mm	36		45		60			60		80	
	r1	mm	M5 / 7		M5 / 8		M6 / 10			M6 / 10		M6 / 12	
	r2	mm	M6 / 14		M8 / 17		M8 / 17			M8 / 17		M10 / 19	
	r3	mm	M8 / 17		M8 / 17		M10 / 19			M10 / 19		M12 / 22	
	s	mm	16		16		16			16		20	
	t	mm	5		5		5			5		5	

⁽¹⁾ Serration 1/16 x 90° on request.

NTL-D

INCH
SERRATION

NTL-M

METRIC
SERRATION

High precision power chuck Ø 260 - 400 mm

- Centrifugal force compensation
- Closed center - 3 jaws
- Long stroke
- proofline® chucks = fully sealed - low maintenance



Application/customer benefits

- For mid to large batch production
- Fully sealed, ideal for dry machining of castings and forgings or if high pressure coolant is used
- Safe clamping due to centrifugal force compensation, for high speed machining and for fragile parts

NTL-D: Master jaws with INCH SERRATION (1/16" x 90°, 3/32" x 90°)

NTL-M: Master jaws with METRIC SERRATION (1.5 mm x 60°)
(suitable for japanese chuck top jaws)

Technical features

- EXTRA long jaw stroke
- Centrifugal force compensation via counterweights
- Constant gripping force with permanent grease lubrication
- Center bore for coolant and / or air
- Chuck body and internal parts case hardened
- **proofline® chucks** = fully sealed - low maintenance

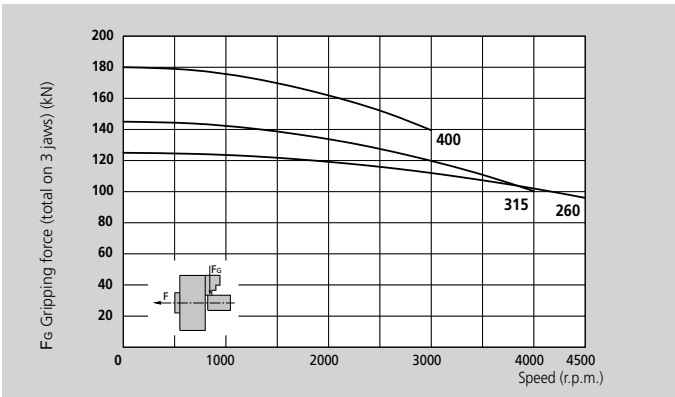
Standard equipment

- 3-jaw chuck
- 1 set T-nuts and bolts
- 1 set soft top jaws

Ordering example

- 3-jaw chuck NTL-D 260 / A6
- or
- 3-jaw chuck NTL-M 260 / Z220

Actual gripping force diagram



The data in the diagram refer to 3-jaw chucks, newly maintained according to their service manuals using SMW-AUTOBLOK K67 grease. The static and dynamic gripping forces have been measured using standard soft top jaws, placed in a position not exceeding the outer diameter of the chuck.

⚠ Safety advice / danger of damage:

When using taller / heavier jaws and / or clamping on a bigger diameter reduce draw pull / rotating speed accordingly.

Technical data

SMW-AUTOBLOK Type		NTL-D 260 NTL-M 260	NTL-D 315 NTL-M 315	NTL-D 400 NTL-M 400
Number of jaws		3	3	3
Radial jaw stroke	mm	9	11	12
Axial piston stroke	mm	22.3	27.3	30
Max. draw pull*	kN	68	80	100
Max. gripping force*	kN	125	145	180
Max. speed	r.p.m.	4400	3700	3000
Weight (without top jaws)	kg	44	69	114
Moment of inertia	kg·m²	0.35	0.85	2.15
Recommended actuating cylinders	Type	SIN-S 125 / 150	SIN-S 125 / 150	SIN-S 150 / 175

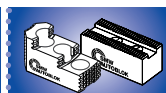
* For internal clamping reduce the draw pull by 30%.



on request:
Tooling Standard
Parts Catalog



SMW-AUTOBLOK
460



SMW-AUTOBLOK
462



SMW-AUTOBLOK
321

High precision power chuck Ø 260 - 400 mm

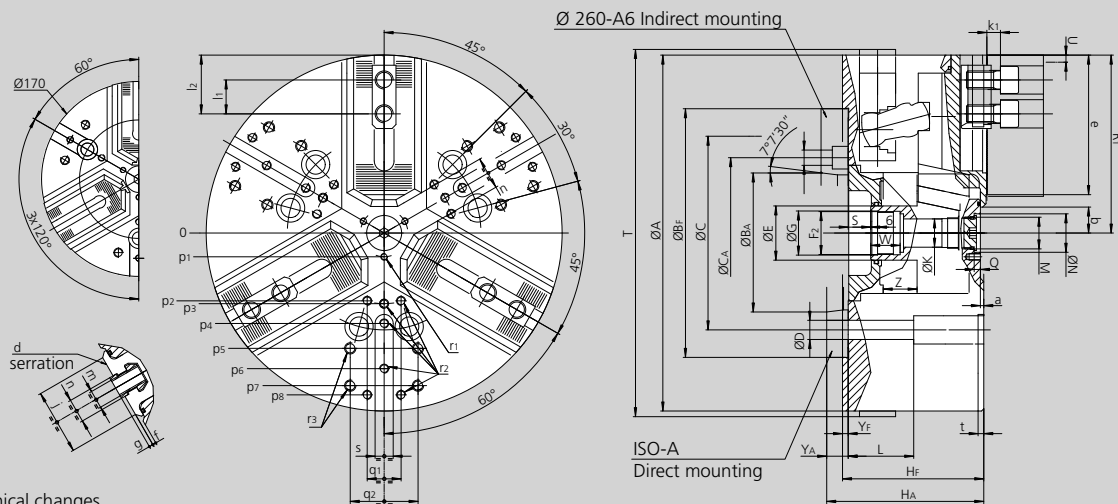
- Centrifugal force compensation
- Closed center - 3 jaws
- Long stroke
- proofline® chucks = fully sealed - low maintenance

NTL-D

INCH
SERRATION

NTL-M

METRIC
SERRATION



Subject to technical changes.
For more detailed information please ask our customer service.

SMW-AUTOBLOK Type			NTL-D 260 NTL-M 260			NTL-D 315 NTL-M 315		NTL-D 400 NTL-M 400	
Mounting			Z220	A6	A8	Z220	A8	Z300	A11
	A	mm		262		315		390	
	Bf/BA H6	mm	220	106.375	139.719	220	139.719	300	196.869
	C	mm	171.4	-	171.4	171.4	-	235	-
	CA	mm	-	133.4	-	-	-	-	-
	D	mm	17	13.5	17	17	17	21	21
	E	mm		48		48		75	
	F2	mm		M38 x 1.5		M38 x 1.5		M60 x 1.5	
	G H8	mm		39		39		61	
	Hf/HA	mm	118	137	132	125	139	149	164
	K	mm		25		25		48	
	L	mm		58		58		74	
	M	mm		M28 x 1.5		M28 x 1.5		M52 x 1.5	
	N H9	mm		34		34		60	
	Q	mm		5.5		5.5		9	
Chuck open	R1	mm		136		163.6		202	
Max. / min.	S	mm		22 / -0.3		20 / -7.3		33 / 3	
Chuck fully closed	T	mm		275		328		412	
Radial jaw stroke	U	mm		9		11		12	
	W	mm		26		26		38	
	Yf/YA	mm	5	24	19	5	19	6	21
Max. / min.	Z	mm		22.3 / 0		27.3 / 0		30 / 0	
	a	mm		3		3		3	
Min.	b	mm		10		12		26	
Min.	c	mm		7.4		7.9		30	
NTL-D serration	d	inch		1/16" x 90°		1/16" x 90°		3/32" x 90° (1)	
NTL-M serration	d	mm		1.5 x 60°		1.5 x 60°		1.5 x 60°	
	e	mm		102		123		144	
	f	mm		3		3		6	
	g	mm		2.5		3.5		3.5	
	j	mm		48		58		63	
	k1	mm		12		12		14	
NTL-D	l1	mm		30		30		38	
NTL-M	l1	mm		30		30		38	
	l2	mm		70 / 41		88 / 43		102 / 54	
NTL-D	m	mm		M12		M16		M20	
NTL-M	m	mm		M12		M16		M20	
NTL-D	n	mm		17		21		25.5	
NTL-M	n	mm		16		21		22	
	p1	mm		21		21		37.5	
	p2	mm		-		60		80	
	p3	mm		55		62.5		83	
	p4	mm		70		80		110	
	p5	mm		102		102		140	
	p6	mm		102		120		155	
	p7	mm		-		135		170	
	p8	mm		-		-		170	
	q1	mm		-		30		36	
	q2	mm		60		60		80	
	r1	mm		M6 / 10		M6 / 10		M6 / 12	
	r2	mm		M8 / 17		M8 / 17		M10 / 19	
	r3	mm		M10 / 19		M10 / 19		M12 / 22	
	s	mm		16		16		20	
	t	mm		5		5		5	

(1) Serration 1/16 x 90° on request.

NTL-C

LONG STROKE
TONGUE & GROOVE

High precision power chuck Ø 260 - 400 mm

- Centrifugal force compensation
- Closed center - 3 jaws
- Long stroke
- proofline® chucks = fully sealed - low maintenance



Application/customer benefits

- For large batch production / high speed machining and for fragile parts
- Fully sealed, ideal for dry machining of castings and forgings or if high pressure coolant is used

NTL-C: TONGUE & GROOVE master jaws (American Standard)

Technical features

- EXTRA long jaw stroke
- Centrifugal force compensation via counterweights
- Constant gripping force with permanent grease lubrication
- Center bore for coolant and / or air
- Chuck body and internal parts case hardened
- **proofline® chucks** = fully sealed - low maintenance

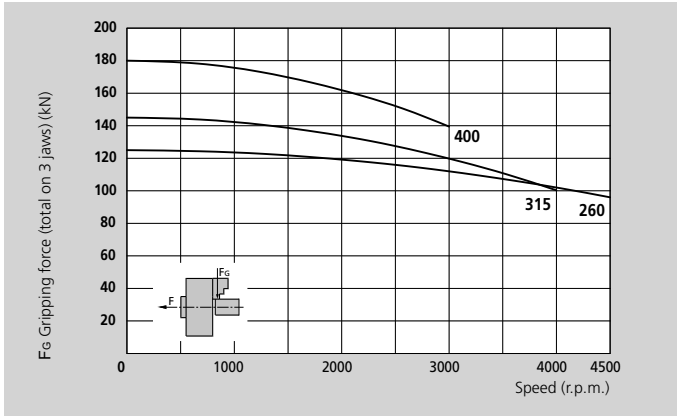
Standard equipment

3-jaw chuck
Mounting bolts

Ordering example

3-jaw chuck NTL-C 260 / A6

Actual gripping force diagram



The data in the diagram refer to 3-jaw chucks, newly maintained according to their service manuals using SMW-AUTOBLOK K67 grease. The static and dynamic gripping forces have been measured using standard soft top jaws, placed in a position not exceeding the outer diameter of the chuck.

⚠ Safety advice / danger of damage:

When using taller / heavier jaws and / or clamping on a bigger diameter reduce draw pull / rotating speed accordingly.

Technical data

SMW-AUTOBLOK Type		NTL-C 260	NTL-C 315	NTL-C 400
Number of jaws		3	3	3
Radial jaw stroke	mm	9	11	12
Axial piston stroke	mm	22.3	27.3	30
Max. draw pull*	kN	68	80	100
Max. gripping force*	kN	125	145	180
Max. speed	r.p.m.	4400	3700	3000
Weight (without top jaws)	kg	44	69	114
Moment of inertia	kg·m ²	0.35	0.85	2.15
Recommended actuating cylinders	Type	SIN-S 125 / 150	SIN-S 125 / 150	SIN-S 150 / 175

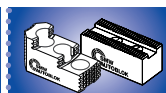
* For internal clamping reduce the draw pull by 30%.



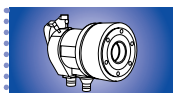
• on request:
• Tooling Standard
• Parts Catalog



• SMW-AUTOBLOK
• 460



• SMW-AUTOBLOK
• 462



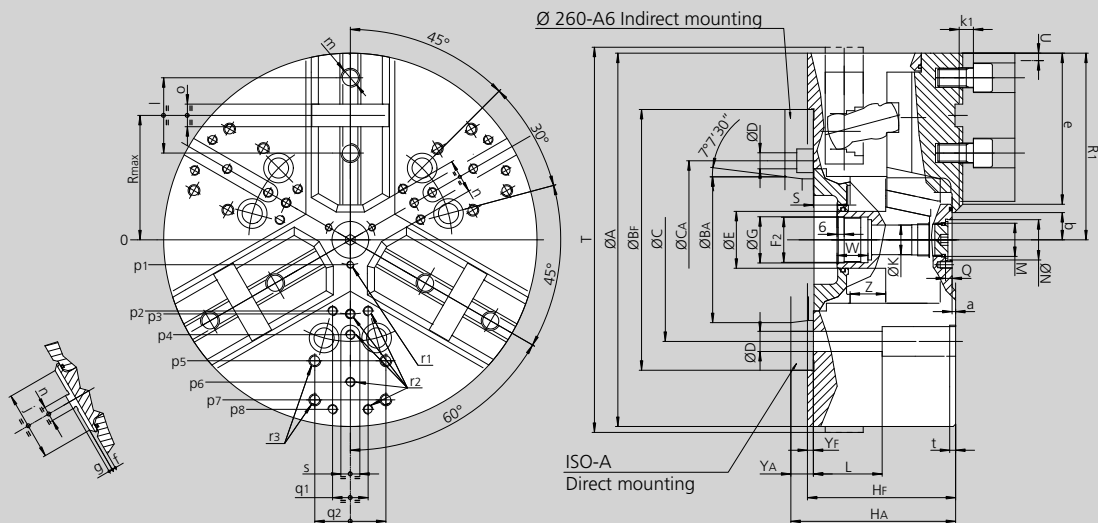
• SMW-AUTOBLOK
• 321

High precision power chuck Ø 260 - 400 mm

- Centrifugal force compensation
- Closed center - 3 jaws
- Long stroke
- proofline® chucks = fully sealed - low maintenance

NTL-C

LONG STROKE
TONGUE & GROOVE



Subject to technical changes.
For more detailed information please ask our customer service.

SMW-AUTOBLOK Type			NTL-C 260			NTL-C 315		NTL-C 400	
Mounting			Z220	A6	A8	Z220	A8	Z300	A11
	A	mm		262			315		390
	Bf/BA H6	mm	220	106.375	139.719	220	139.719	300	196.869
	C	mm	171.4	-	171.4		171.4		235
	CA	mm	-	133.4	-	-	-	-	-
	D	mm	17	13.5	17		17		21
	E	mm		48			48		75
	F2	mm		M38 x 1.5			M38 x 1.5		M60 x 1.5
	G H8	mm		39			39		61
	Hf/HA	mm	118	137	132	125	139	149	164
	K	mm		25			25		48
	L	mm		58			58		74
	M	mm		M28 x 1.5			M28 x 1.5		M52 x 1.5
	N H9	mm		34			34		60
	Q	mm		5.5			5.5		9
	R	mm		92.5			111		139
Chuck open	R1	mm		136			163.6		202
Max. / min.	S	mm		22 / -0.3			20 / -7.3		33 / 3
Chuck fully closed	T	mm		275			328		412
Radial jaw stroke	U	mm		9			11		12
	W	mm		26			26		38
	Yf/YA	mm	5	24	19	5	19	6	21
Max. / min.	Z	mm		22.3 / 0			27.3 / 0		30 / 0
	a	mm		3			3		3
Min.	b	mm		10			12		26
Min.	c	mm		7.4			7.9		30
	e	mm		110			134		154
	f	mm		3			3		6
	g	mm		3			3		3
	j	mm		48			58		63
	k1	mm		12			12		14
	l	mm		54			63.5		76.2
	m	mm		M16			M16		M20
	n	mm		12.7			12.7		12.7
	o	mm		19.03			19.03		19.03
	p1	mm		21			21		37.5
	p2	mm		-			60		80
	p3	mm		55			62.5		83
	p4	mm		70			80		110
	p5	mm		102			102		140
	p6	mm		102			120		155
	p7	mm		-			135		170
	p8	mm		-			-		170
	q1	mm		-			30		36
	q2	mm		60			60		80
	r1	mm		M6 / 10			M6 / 10		M6 / 12
	r2	mm		M8 / 17			M8 / 17		M10 / 19
	r3	mm		M10 / 19			M10 / 19		M12 / 22
	s	mm		16			16		20
	t	mm		5			5		5

NTL-D

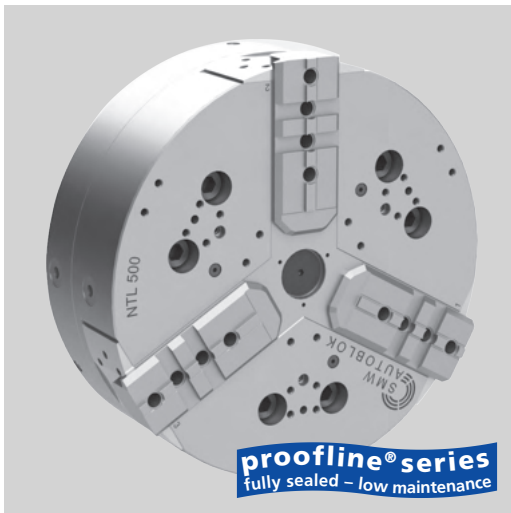
INCH
SERRATION

NTL-C

TONGUE & GROOVE

High precision power chuck Ø 500 - 1000 mm

- Centrifugal force compensation
- Closed center - 3 jaws
- Long stroke
- proofline® chucks = fully sealed - low maintenance



Application/customer benefits

- For mid to large batch production
- Safe clamping through centrifugal force compensation, even of deformation-sensitive parts at highest speeds
- Fully sealed, ideal for dry machining of castings and forgings or if high pressure coolant is used

NTL-D: Master jaws with INCH SERRATION (3/32" x 90°)

NTL-C: Master jaws with TONGUE & GROOVE

Technical features

- EXTRA long jaw stroke
- Centrifugal force compensation via counterweights
- Constant gripping force with permanent grease lubrication
- Center bore for coolant and / or air
- Chuck body and internal parts case hardened
- **proofline® chucks** = fully sealed - low maintenance

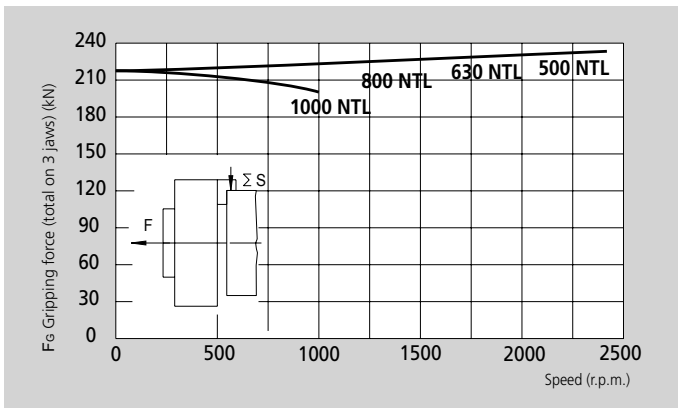
Standard equipment

3-jaw chuck
1 set soft top jaws
Mounting bolts

Ordering example

3-jaw chuck NTL-D 500 / Z380
or
3-jaw chuck NTL-C 800 / Z520

Actual gripping force diagram



The data in the diagram refer to 3-jaw chucks, newly maintained according to their service manuals using SMW-AUTOBLOK K67 grease. The static and dynamic gripping forces have been measured using standard soft top jaws, placed in a position not exceeding the outer diameter of the chuck.

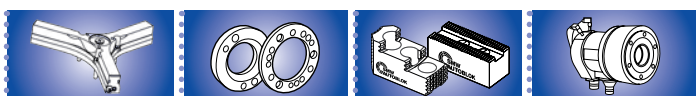
⚠ Safety advice / danger of damage:

When using taller / heavier jaws and / or clamping on a bigger diameter reduce draw pull / rotating speed accordingly.

Technical data

SMW-AUTOBLOK Type		NTL-D 500 NTL-C 500	NTL-D 630 NTL-C 630	NTL-D 800 NTL-C 800	NTL-D 1000 NTL-C 1000
Radial jaw stroke	mm	12.1	12.1	12.1	12.1
Axial piston stroke	mm	30	30	30	30
Max. draw pull*	kN	120	120	120	120
Max. gripping force*	kN	240	240	240	240
Max. speed	r.p.m.	2400	2000	1500	1000
Weight (without top jaws)	kg	255	420	680	970
Moment of inertia	kg·m ²	8.2	21.2	55.7	110
Recommended actuating cylinders	Type	SIN-S 175 / 200	SIN-S 175 / 200	SIN-S 175 / 200	SIN-S 175 / 200

* For internal clamping reduce the draw pull by 30%.



• on request:
• Tooling Standard
• Parts Catalog

• SMW-AUTOBLOK
• 460

• SMW-AUTOBLOK
• 462

• SMW-AUTOBLOK
• 321

High precision power chuck Ø 500 - 1000 mm

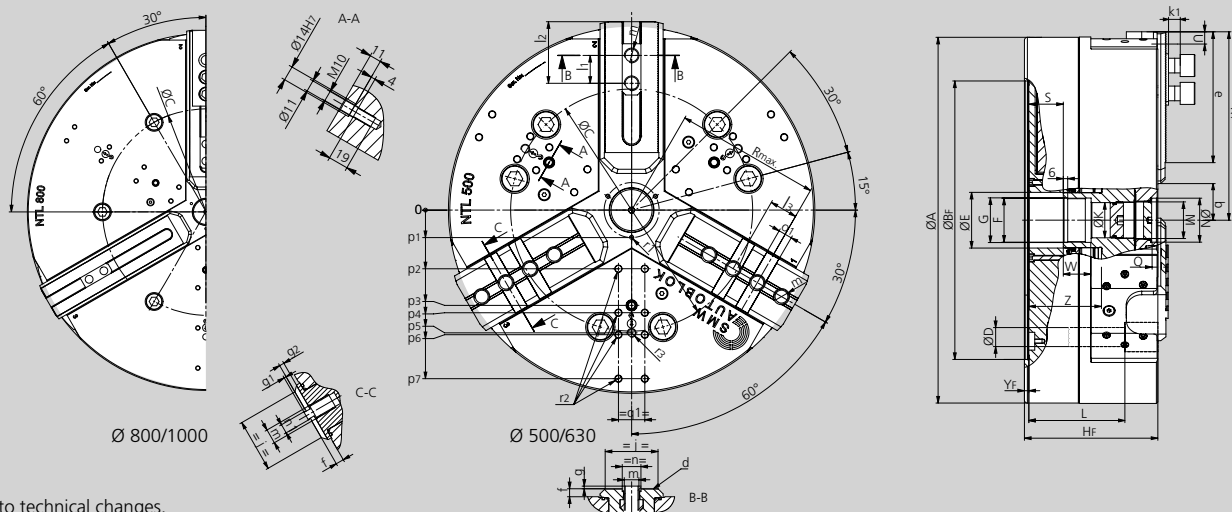
- Centrifugal force compensation
- Closed center - 3 jaws
- Long stroke
- proofline® chucks = fully sealed - low maintenance

NTL-D

INCH
SERRATION

NTL-C

TONGUE & GROOVE



Subject to technical changes.
For more detailed information please ask our customer service.

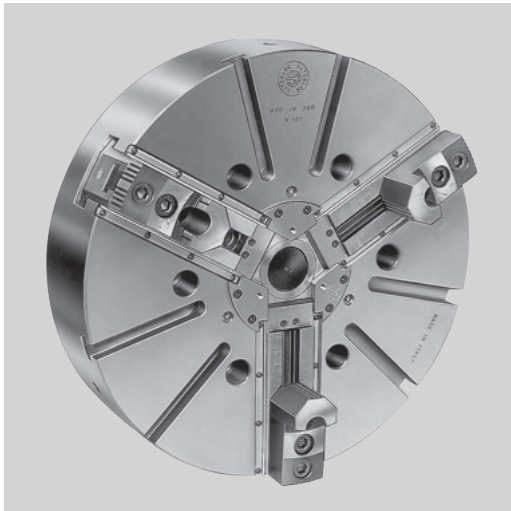
SMW-AUTOBLOK Type			NTL-D 500 NTL-C 500	NTL-D 630 NTL-C 630	NTL-D 800 NTL-C 800	NTL-D 1000 NTL-C 1000
Mounting			Z380	Z380	Z520	Z520
	A	mm	500	630	800	1000
	BF	H6 mm	380	380	520	520
	C	mm	330.2	330.2	463.6	463.6
	D	mm	26	26	26	26
	E	mm	75	75	75	75
	F	mm	M60 x 1.5	M60 x 1.5	M60 x 1.5	M60 x 1.5
	G	H8 mm	61	61	61	61
	HF	mm	182	182	182	187
	K	mm	48	48	48	48
	L	mm	131	131	131	146
	M	mm	M52 x 1.5	M52 x 1.5	M52 x 1.5	M52 x 1.5
	N	H8 mm	60	60	60	60
	Q	mm	7.5	7.5	7.5	7.5
Chuck open	R1	mm	257	322	407	507
	R max.	mm	198	250	351	465
	S	mm	47	47	47	52
Jaw stroke	U	mm	12.1	12.1	12.1	12.1
	W	mm	38	38	38	38
Max. / min.	Z	mm	99.5 / 69.5	99.5 / 69.5	99.5 / 69.5	99.5 / 69.5
Min.	b	mm	38	38	38	38
	d	mm	3 / 32 x 90°	3 / 32 x 90°	3 / 32 x 90°	3 / 32 x 90°
	e	mm	177	242	327	457
	f	mm	11	11	11	11
	g	mm	3.5	3.5	3.5	3.5
	g1	mm	3	3	3	3
	g2	mm	6.5	6.5	6.5	6.5
	j	mm	72	72	72	72
	k1	mm	16	16	16	16
	l1	mm	38	38	38	38
Max. / min.	l2	mm	145 / 54	210 / 54	295 / 54	393 / 54
	l3	mm	38.1	38.1	38.1	38.1
	m	mm	M20	M20	M20	M20
	n	h8 mm	25.5	25.5	25.5	25.5
	n1	h8 mm	12.7	12.7	12.7	12.7
	o1	H8 mm	19.03	19.03	19.03	19.03
	p1	mm	37.5	37.5	37.5	37.5
	p2	mm	80	80	80	80
	p3	mm	130	130	130	130
	p4	mm	140	170	170	170
	p5	mm	167.5	280	280	280
	p6	mm	170	-	260	260
	p7	mm	230	260	350	350
	q1	mm	36	36	36	36
	r1	mm	M6	M6	M6	M6
	r2	mm	M10	M10	M10	M10
	r3	mm	M12	M16	M16	M16
	YF	mm	6	6	6	6
Number of 01 cross grooves (only for NTL-C)			2	3	6	9
Number of "m" threads (only for NTL-C)			4	5	8	10

IN-DINCH
SERRATION**IN-C**

TONGUE & GROOVE

High precision power chuck Ø 500 - 800 mm

- Closed center
- 3 and 4 jaws

**Application/customer benefits**

- For large parts
- Suitable for vertical machines

IN-D: Master jaws with INCH SERRATION (3/32" x 90°)**IN-C:** Master jaws with TONGUE & GROOVE**Technical features**

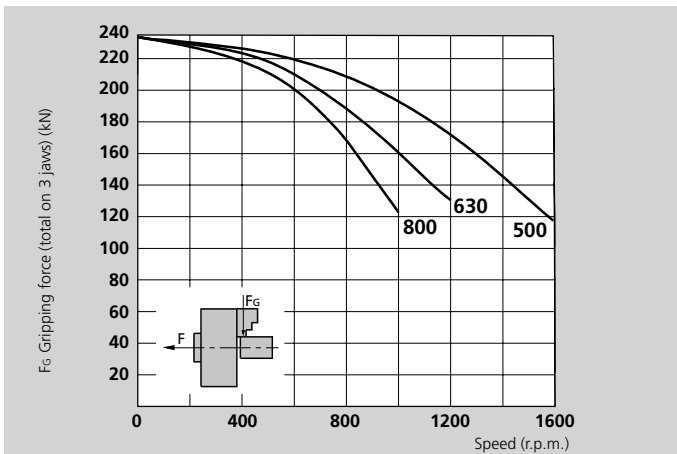
- Gripping force transmission via wedge hook
- Sealed against swarf and chips

Standard equipment

- 3- or 4-jaw chuck
- 1 set T-nuts with bolts
- 1 set soft top jaws (not IN-C)
- Mounting bolts

Ordering example

- 3-jaw chuck IN-D 500 / A15
- or
- 4-jaw chuck IN-C 630 / Z380

Actual gripping force diagram

The data in the diagram refer to 3-jaw chucks, newly maintained according to their service manuals using SMW-AUTOBLOK K05 grease. The static and dynamic gripping forces have been measured using standard soft top jaws, placed in a position not exceeding the outer diameter of the chuck.

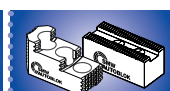
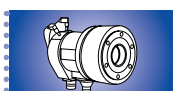
⚠ Safety advice / danger of damage:

When using taller / heavier jaws and / or clamping on a bigger diameter reduce draw pull / rotating speed accordingly.

Technical data

SMW-AUTOBLOK Type		IN-D 500 IN-C 500		IN-D 630 IN-C 630		IN-D 800 IN-C 800	
Number of jaws		3	4	3	4	3	4
Radial jaw stroke	mm	8.5	8.5	10	10	10	10
Axial piston stroke	mm	32	32	38	38	38	38
Max. draw pull*	kN	100	100	100	100	100	100
Max. gripping force*	kN	240	240	240	240	240	240
Max. speed	r.p.m.	1500	1200	1100	850	900	750
Weight (without top jaws)	kg	130	180	220	325	320	550
Moment of inertia	kg·m ²	4.2	5.9	10.8	16	23.8	44
Recommended actuating cylinders	Type	SIN-S 150 / 175 / 200		SIN-S 150 / 175 / 200		SIN-S 150 / 175 / 200	

* For internal clamping reduce the draw pull by 30%.

SMW-AUTOBLOK
460SMW-AUTOBLOK
462SMW-AUTOBLOK
321

High precision power chuck Ø 500 - 800 mm

IN-D

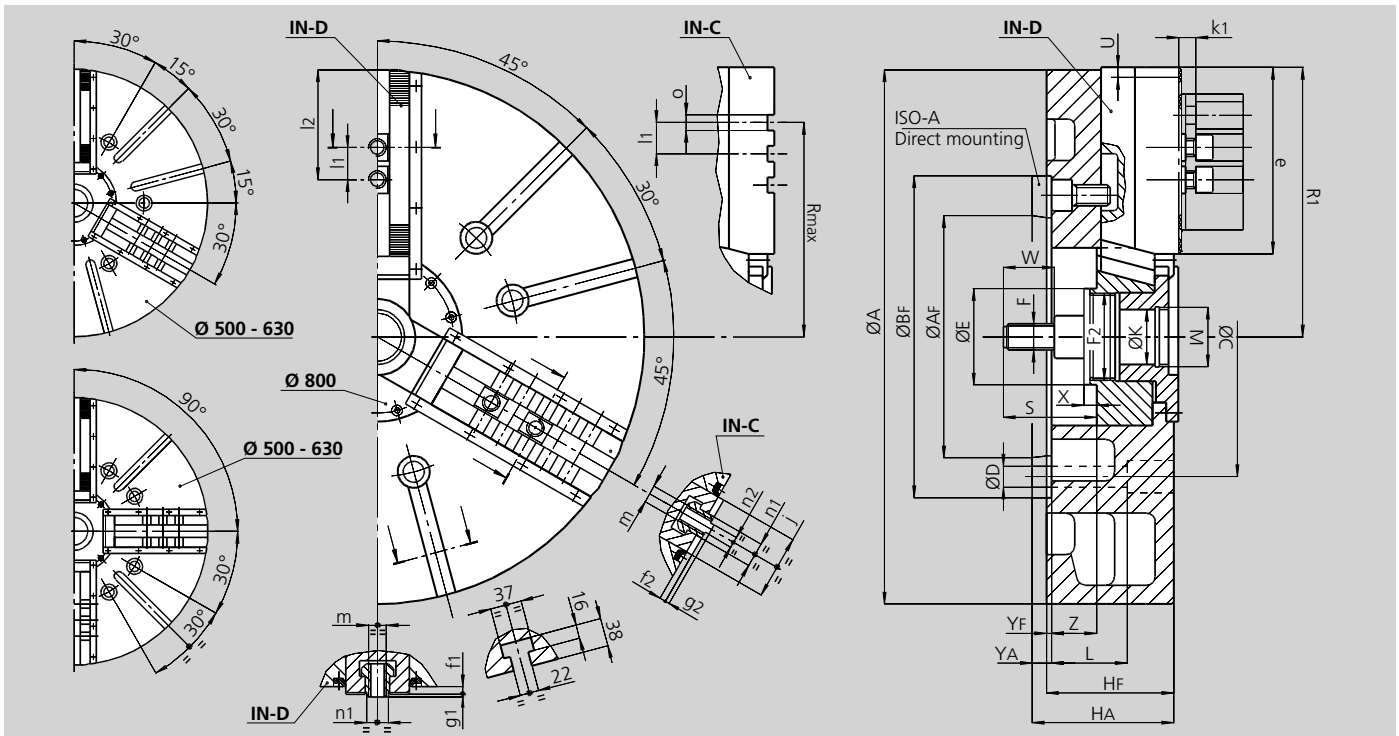
IN-C

- Closed center
- 3 and 4 jaws

INCH
SERRATION

TONGUE & GROOVE

1



Subject to technical changes.
For more detailed information please ask our customer service.

SMW-AUTOBLOK Type			IN-D 500 IN-C 500		IN-D 630 IN-C 630		IN-D 800 IN-C 800	
Mounting			Z380	A15	Z380	A15	Z380	A15
	A	mm	510		630		800	
	Bf/BAH6	mm	380	285.775	380	285.775	380	285.775
	C	mm	330.2		330.2		330.2	
	D	mm	25		25		25	
	E	mm	114		114		114	
	F	mm	M30		M30		M30	
	F2	mm	M102 x 2		M102 x 2		M102 x 2	
	Hf/HA	mm	130	147	150	167	150	167
	K	mm	65		65		65	
	L	mm	89		89		89	
	M	mm	M68 x 2		M68 x 2		M68 x 2	
Chuck open	R1	mm	263		318		405	
	Rmax	mm	209.5		247.5		349	
Jaw stroke	S	mm	110		110		110	
	U	mm	8.5		10		10	
	W	mm	60		60		60	
	X	mm	15		15		15	
	Yf/YA	mm	6	23	6	23	6	23
Max. / min.	Z	mm	33 / 1		53 / 15		53 / 15	
	e	mm	165		220		307	
	f1	mm	9		9		9	
	f2	mm	8		8		8	
	g1	mm	4		4		4	
	g2	mm	3		3		3	
	j	mm	75		75		75	
	k1	mm	16		16		16	
	l1	mm	38.1		38.1		38.1	
Max. / min.	l2	mm	135 / 48		190 / 48		277 / 48	
	m	mm	M20		M20		M20	
	n1 h8	mm	25.5		25.5		25.5	
	n2 h8	mm	12.7		12.7		12.7	
	o H7	mm	19.03		19.03		19.03	

IL-DINCH
SERRATION**IL-C**

TONGUE & GROOVE

High precision power chuck Ø 500 - 800 mm

- Closed center
- Long stroke
- 3 and 4 jaws

**Application/customer benefits**

- For large parts
- Suitable for vertical machines
- Extra long clamping stroke
(possibility to clamp 1st and 2nd operation with the same jaws)

IL-D: Master jaws with INCH SERRATION (3/32" x 90°)**IL-C:** Master jaws with TONGUE & GROOVE**Technical features**

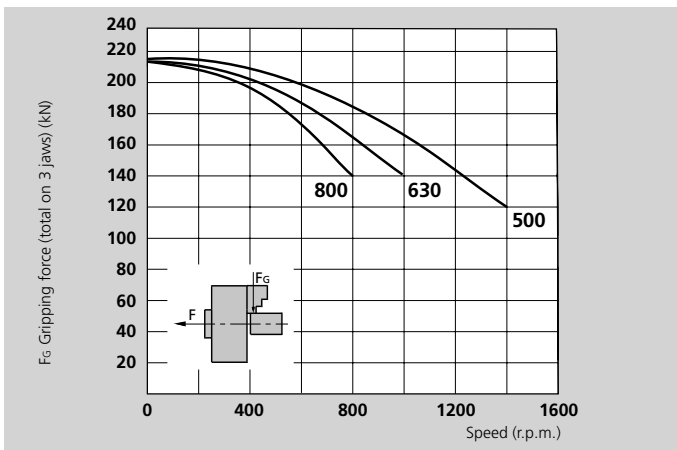
- EXTRA long jaw stroke
- Gripping force transmission via wedge hook
- Sealed against swarf and chips

Standard equipment

- 3- or 4-jaws chuck
- 1 set T-nuts with bolts
- 1 set soft top jaws (not in IL-C)
- Mounting bolts

Ordering example

- 3-jaw chuck IL-D 500 / A15
- or
- 4-jaw chuck IL-C 630 / Z380

Actual gripping force diagram

The data in the diagram refer to 3-jaw chucks, newly maintained according to their service manuals using SMW-AUTOBLOK K05 grease. The static and dynamic gripping forces have been measured using standard soft top jaws, placed in a position not exceeding the outer diameter of the chuck.

△ Safety advice / danger of damage:

When using taller / heavier jaws and / or clamping on a bigger diameter reduce draw pull / rotating speed accordingly.

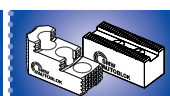
Technical data

SMW-AUTOBLOK Type		IL-D 500 IL-C 500		IL-D 630 IL-C 630		IL-D 800 IL-C 800	
Number of jaws		3	4	3	4	3	4
Radial jaw stroke	mm	13	13	15	15	15	15
Axial piston stroke	mm	33	33	38	38	38	38
Max. draw pull*	kN	120	120	120	120	120	120
Max. gripping force*	kN	215	215	215	215	215	215
Max. speed	r.p.m.	1400	1100	1000	800	800	650
Weight (without top jaws)	kg	130	180	220	325	320	550
Moment of inertia	kg·m ²	4.2	5.9	10.8	16	23.8	44
Recommended actuating cylinders	Type	SIN-S 150 / 175 / 200		SIN-S 150 / 175 / 200		SIN-S 150 / 175 / 200	

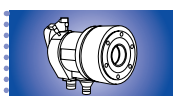
* For internal clamping reduce the draw pull by 30%.



SMW-AUTOBLOK
460



SMW-AUTOBLOK
462



SMW-AUTOBLOK
321

High precision power chuck \varnothing 500 - 800 mm

IL-D

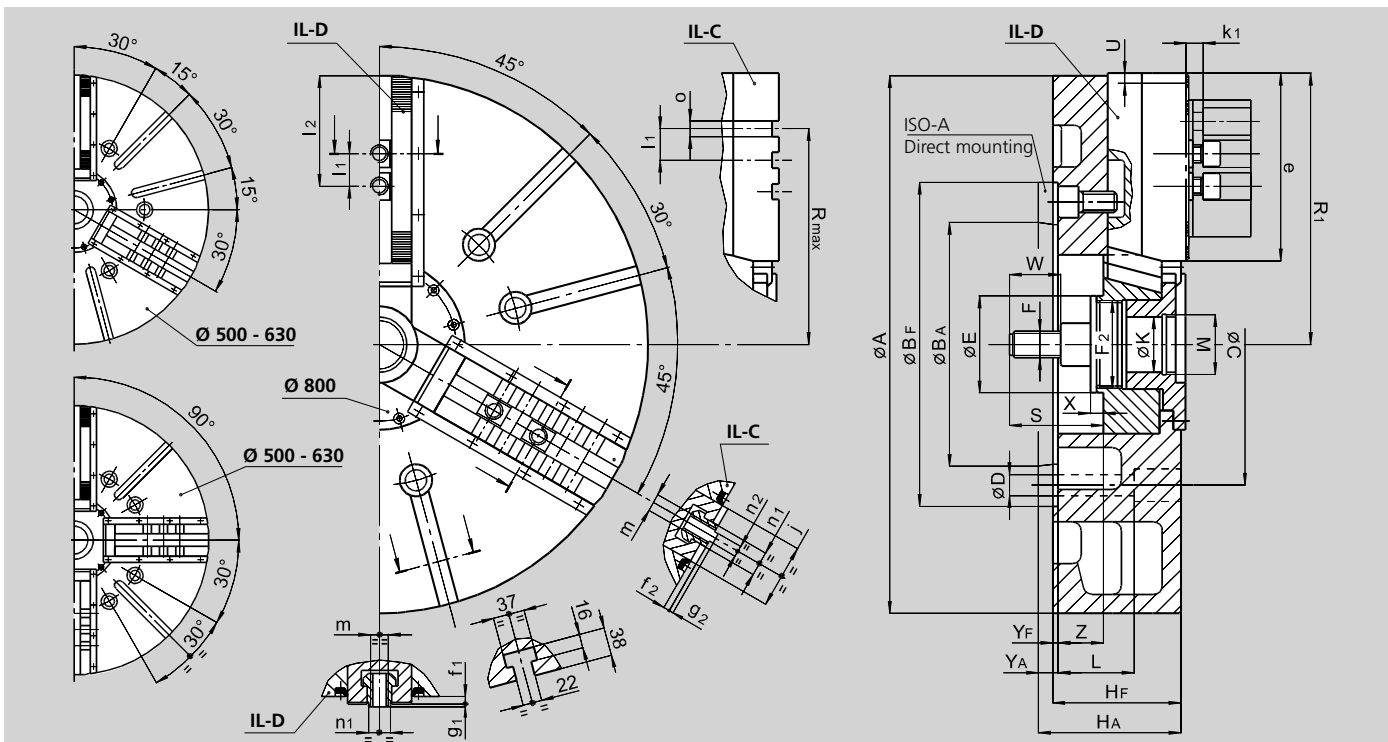
INCH
SERRATION

IL-C

TONGUE & GROOVE

- Closed center
- Long stroke
- 3 and 4 jaws

1



Subject to technical changes.
For more detailed information please ask our customer service.

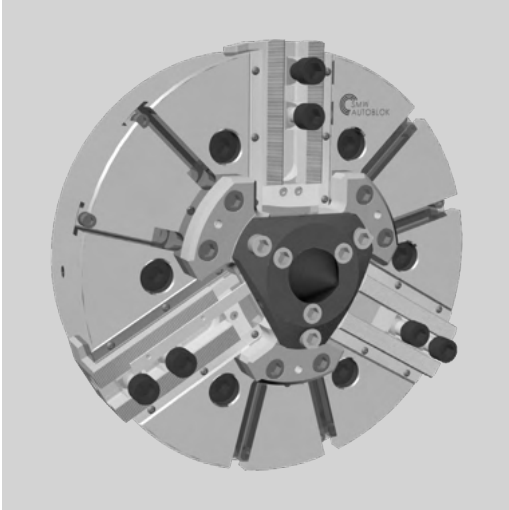
SMW-AUTOBLOK Type			IL-D 500 IL-C 500		IL-D 630 IL-C 630		IL-D 800 IL-C 800	
Mounting			Z380	A15	Z380	A15	Z380	A15
	A	mm	510		630		800	
	Bf/BA H6	mm	380	285.775	380	285.775	380	285.775
	C	mm	330.2		330.2		330.2	
	D	mm	25		25		25	
	E	mm	114		114		114	
	F	mm	M30		M30		M30	
	F2	mm	M102 x 2		M102 x 2		M102 x 2	
	Hf/HA	mm	130	147	150	167	150	167
	K	mm	65		65		65	
	L	mm	89		89		89	
	M	mm	M68 x 2		M68 x 2		M68 x 2	
Chuck open	R1	mm	265		321		408	
	Rmax.	mm	212		250		352	
	S	mm	110		110		110	
Jaw stroke	U	mm	13		15		15	
	W	mm	60		60		60	
	X	mm	15		15		15	
	Yf/YA	mm	6	23	6	23	6	23
Max. / min.	Z	mm	33 / 0		53 / 15		53 / 15	
	e	mm	164		220		307	
	f1	mm	9		9		9	
	f2	mm	8		8		8	
	g1	mm	4		4		4	
	g2	mm	3		3		3	
	j	mm	75		75		75	
	k1	mm	16		16		16	
	l1	mm	38.1		38.1		38.1	
Max. / min.	l2	mm	135 / 48		190 / 48		277 / 48	
	m	mm	M20		M20		M20	
	n1 h8	mm	25.5		25.5		25.5	
	n2 h8	mm	12.7		12.7		12.7	
	o H7	mm	19.03		19.03		19.03	

IND-CP

INCH SERRATION
AND MODULE 2

High precision self centering and compensating power chuck Ø 500 - 1000 mm

- Closed center
- 3 jaws



Application/customer benefits

- Clamping of large parts
- Self centering clamping of workpieces that need to be centered by the jaws
- Compensating clamping of shafts held between centers or centered by other means like collet, mandrel or self centering chucks

IND-CP Ø 500-800: Master jaws with INCH SERRATION (3/32" x 90°)

IND-CP Ø 1000: Master jaws with MODULE 2
TONGUE & GROOVE master jaws on request

Technical features

- Gripping force transmission via wedge hook
- Sealed against swarf and chips
- Conversion self centering / compensating with an easy rotation of internal ring
- Rotation of the conversion ring with chuck mounted on machine

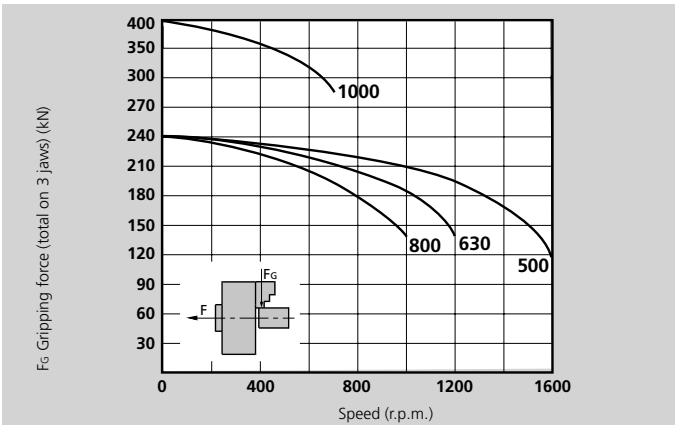
Standard equipment

3-jaw chuck / 1 set T-nuts with screws
1 set soft top jaws with bolts
Center point on request

Ordering example

3-jaw chuck IND-CP 630 / A15

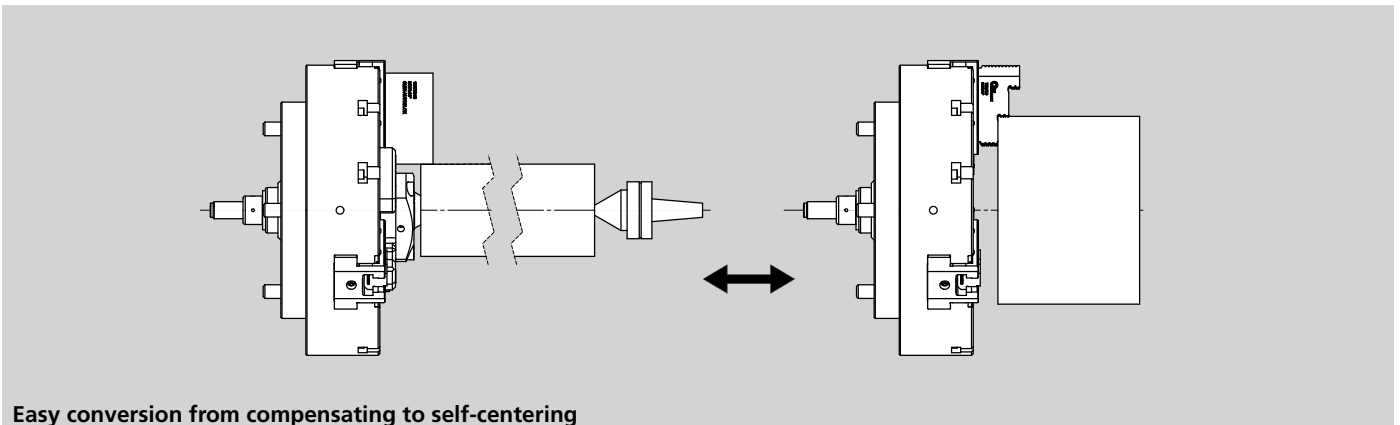
Actual gripping force diagram



The data in the diagram refer to 3-jaw chucks, newly maintained according to their service manuals using SMW-AUTOBLOK K67 grease. The static and dynamic gripping forces have been measured using standard soft top jaws, placed in a position not exceeding the outer diameter of the chuck.

⚠ Safety advice / danger of damage:

When using taller / heavier jaws and / or clamping on a bigger diameter reduce draw pull / rotating speed accordingly.



Easy conversion from compensating to self-centering

Technical data

SMW-AUTOBLOK Type		IND-CP 500	IND-CP 630	IND-CP 800	IND-CP 1000
Number of jaws		3	3	3	3
Radial jaw stroke	mm	7.5	10	10	15
Axial piston stroke	mm	28	38	38	57
Compensation	mm	2.5	2.5	2.5	3
Max. draw pull*	kN	100	100	100	150
Max. gripping force*	kN	240	240	240	320
Max. speed	r.p.m.	1500	1000	900	630
Weight (without top jaws)	kg	130	240	320	710
Moment of inertia	kg·m ²	4.5	11	24	50
Recommended actuating cylinders	Type	SIN-S 150 / 175 / 200			

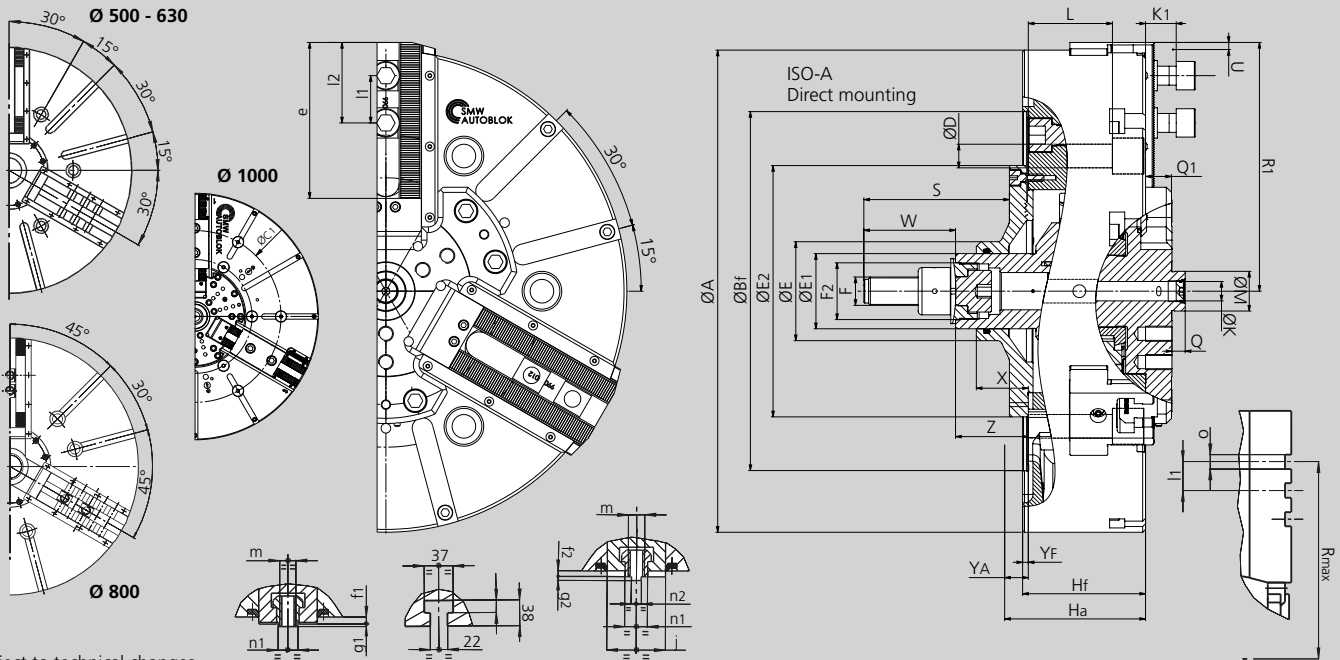
* For internal clamping reduce the draw pull by 30%.

High precision self centering and compensating power chuck \varnothing 500 - 1000 mm

- Closed center
- 3 jaws

IND-CP

INCH SERRATION
AND MODULE 2

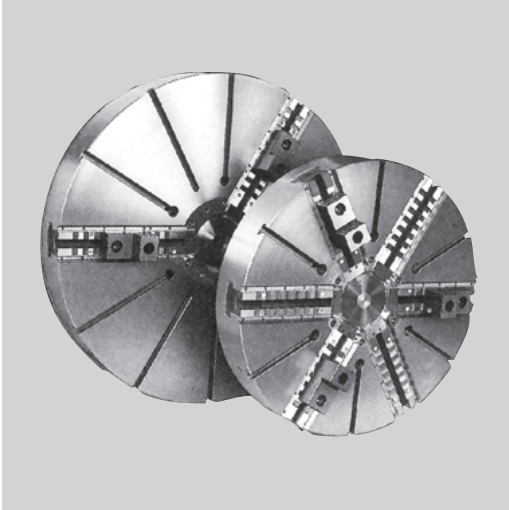


Subject to technical changes.
For more detailed information please ask our customer service.

SMW-AUTOBLOK Type			IND-CP 500		IND-CP 630		IND-CP 800		IND-CP 1000	
Mounting			Z380	A15	Z380	A15	Z380	A15	Z520	
	A	mm	510		630		800		1005	
	Bf/BAH6	mm	380	285.775	380	285.775	380	285.775	520	
	C	mm	330.2		330.2		330.2		463.6	
	C1	mm	-		-		-		700	
	D	mm	25		25		25		25	
	E	mm	105		105		105		115	
	E1	mm	80		80		80		90	
	E2	mm	266		266		266		325	
	F	mm	M30		M30		M30		M36	
	F2	mm	M60 x 1,5		M60 x 1,5		M60 x 1,5		M78X2	
	Hf/HA	mm	130	174	150	194	150	194	184	
	K	mm	20.5		20.5		20.5		34.5	
	L	mm	89		89		89		108	
	M	mm	42		42		42		100	
	M1	mm	280		280		280		405	
	Q	mm	14		14		14		20	
	Q1	mm	32		32		32		30	
Chuck open	R1	mm	263		318		405		498	
	Rmax	mm	209.5		247.5		349		-	
Max. / min.	S	mm	154 / 182		134 / 172		134 / 172		143 / 200	
Jaw stroke	U	mm	7.5		10		10		15	
	W	mm	97		97		97		105	
	X	mm	55		55		55		60	
	Yf/YA	mm	6	50	6	50	6	50	8	
Max. / min.	Z	mm	77 / 105		57 / 95		57 / 95		65 / 122	
	e	mm	165		220		307		353	
	f1	mm	9		9		9		8	
	f2	mm	8		8		8		-	
	g1	mm	4		4		4		4	
	g2	mm	3		3		3		-	
	j	mm	75		75		75		-	
	k1	mm	16		16		16		16	
	l1	mm	38.1		38.1		38.1		100	
Max. / min.	l2	mm	135 / 48		190 / 48		277 / 48		320 / 36	
	m	mm	M20		M20		M20		M24	
	n1 h8	mm	25.5		25.5		25.5		30	
	n2 h8	mm	12.7		12.7		12.7		-	
	o H7	mm	19.03		19.03		19.03		-	

IN-DMODULE 2
SERRATION**IL-D**LONG JAW STROKE
MODULE 2
SERRATION**High precision power chuck Ø 1000 - 1600 mm**

- Closed center
- Long jaw stroke
- 3 and 6 jaws (all diameters)

**Application/customer benefits**

- Chucking operations of very large components
- Suitable for vertical machines thanks to the front protection of the slide ways

IN-D/ IL-D: MODULE 2 serrated master jaws (pitch 6.28 mm)
(Ø 1000 - 1600 mm)

Technical features

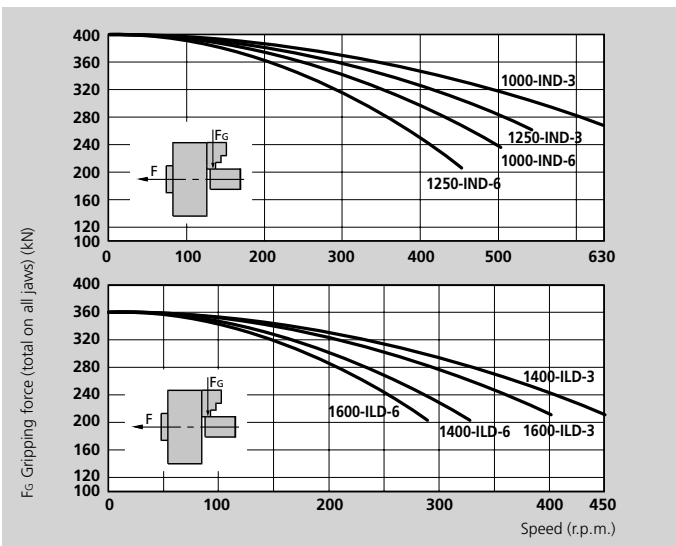
- Gripping force transmission via wedge hook
- Front protection of the slide ways against swarf and chips penetration

Standard equipment

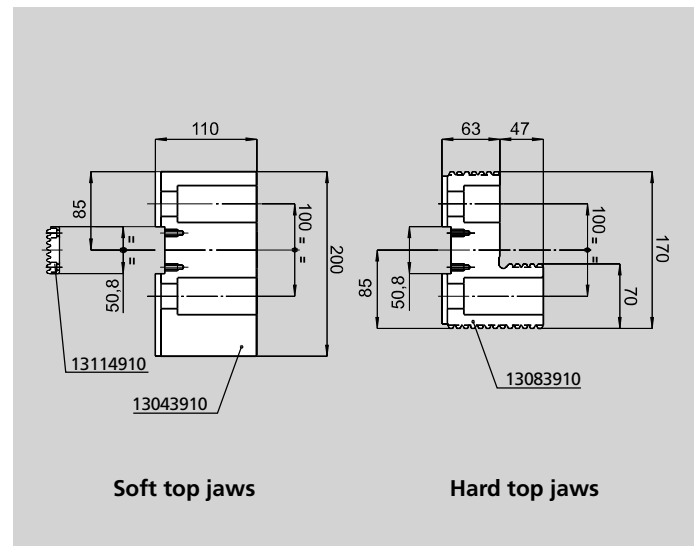
3- or 6-jaw chuck
1 set T-nuts with bolts
1 set soft top jaws with cross keys
Mounting bolts
Grease gun

Ordering example

3-jaw chuck IL-D 1600 / Z720
or
6-jaw chuck IL-D 1600 / Z720

Actual gripping force diagrams

The data in the diagrams refer to 3-6 jaw chucks, newly maintained according to their service manuals using SMW-AUTOBLOK K05 grease. The static and dynamic gripping forces have been measured using standard soft top jaws, placed in a position not exceeding the outer diameter of the chuck.

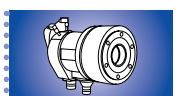
Soft and hard top jaws for IN-D and IL-D**△ Safety advice / danger of damage:**

When using taller / heavier jaws and / or clamping on a bigger diameter reduce draw pull / rotating speed accordingly.

Technical data

SMW-AUTOBLOK Type		IN-D 1000		IN-D 1250		IL-D 1400		IL-D 1600	
Number of jaws		3	6	3	6	3	6	3	6
Radial jaw stroke	mm	15	15	15	15	24	24	24	24
Axial piston stroke	mm	57	57	57	57	60	60	60	60
Max. draw pull*	kN	180	180	180	180	200	200	200	200
Max. gripping force*	kN	400	400	400	400	360	360	360	360
Max. speed	r.p.m.	630	500	500	450	450	320	400	280
Weight (without top jaws)	kg	600	800	800	1200	1600			
Moment of inertia	kg·m ²	68	145	145	347	562			
Hard top jaw (piece)	Id. No.	13083910	13083910	13083910	13083910	13083910	13083910	13083910	13083910
Soft top jaw (piece)	Id. No.	13043910	13043910	13043910	13043910	13043910	13043910	13043910	13043910
Recommended actuating cylinders	Type	SIN-S 250		SIN-S 250		SIN-S 250		SIN-S 250	

* For internal clamping reduce the draw pull by 30%



SMW-AUTOBLOK
321

High precision power chuck \varnothing 1000 - 1600 mm

- Closed center
- Long jaw stroke
- 3 and 6 jaws (all diameters)

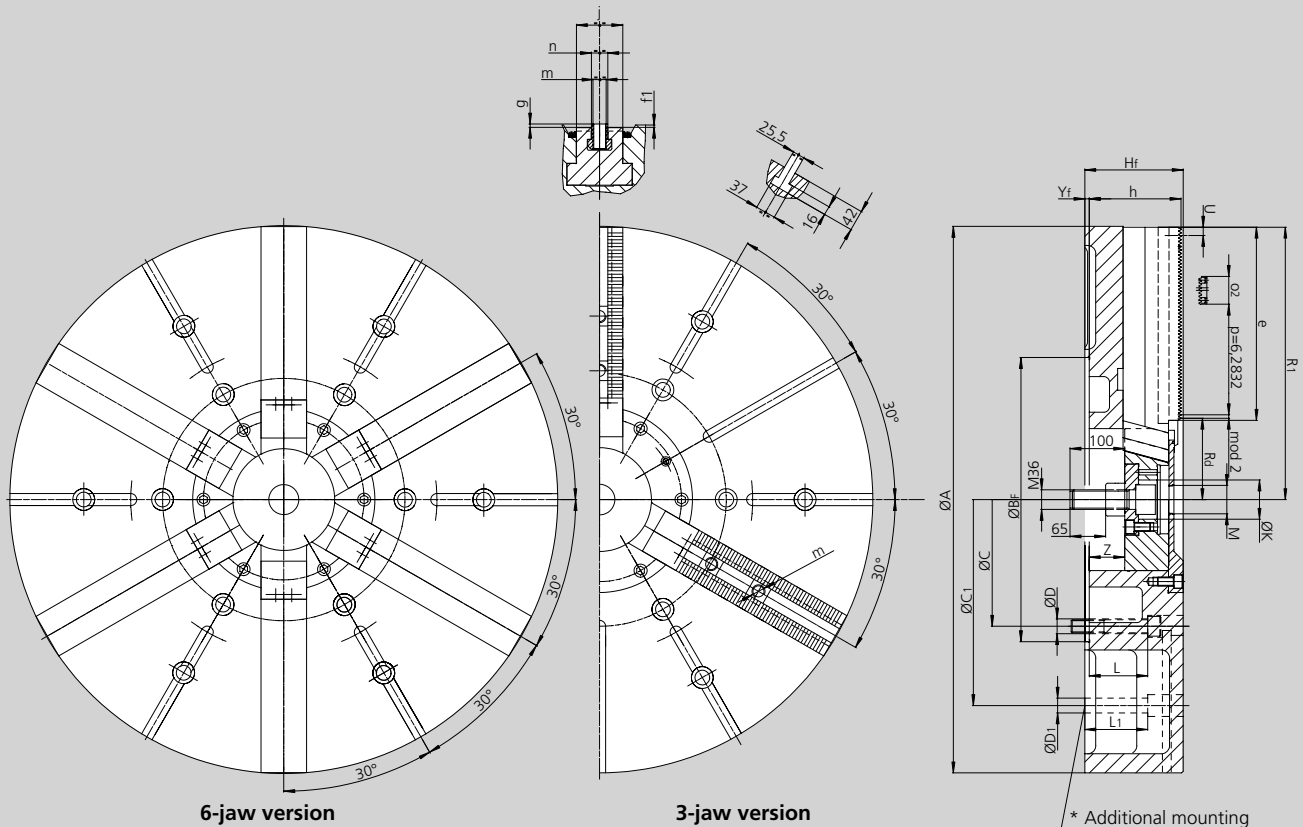
IN-D

MODULE 2
SERRATION

IL-D

LONG JAW STROKE
MODULE 2
SERRATION

1

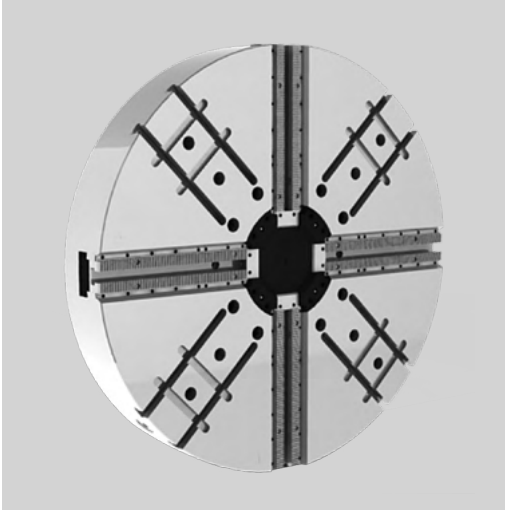


Subject to technical changes.
For more detailed information please ask our customer service.

SMW-AUTOBLOK Type			IN-D 1000		IN-D 1250		IL-D 1400	IL-D 1600
Mounting			Z520	A20	Z520	A20	Z720	Z720
	A	mm	1005		1250		1400	1600
	Bf H6	mm	520		520		720	720
	C	mm	463.6		463.6		647.6	647.6
	C1	mm	700*		700*		1110	1110
	D	mm	27		27		33	33
	D1	mm	27*		27*		27	27
	Hf	mm	184		184		222	222
	K	mm	72		72		72	72
	L	mm	108		108		179	179
	L1	mm	116*		116*		154	154
	M	mm	M52 x 1.5		M52 x 1.5		M52 x 1.5	M52 x 1.5
Chuck open	R1	mm	498		623		696	796
Chuck open	Rd	mm	148.5		148.5		179.5	179.5
Jaw stroke	U	mm	15		15		24	24
	S	mm	100		100		100	100
	Yf	mm	8		8		8	8
Max.	Z	mm	65		65		82	82
Min.	Z	mm	8		8		22	22
	e	mm	353		478		519	619
	f	mm	8		8		8	8
	g	mm	4		4		4	4
	h	mm	168		168		206	206
	j	mm	85		85		110	110
	m	mm	M24		M24		M24	M24
	n h8	mm	30		30		30	30
	o2 h6	mm	50.8		50.8		50.8	50.8

IN-DMODULE 2
SERRATION**IL-D**LONG JAW STROKE
MODULE 2
SERRATION**High precision power chuck Ø 1000 - 1600 mm**

- Closed center
- Long jaw stroke
- 4 jaws (all diameters)

**Application/customer benefits**

- Clamping of large square and irregular shaped parts, using 2 or 4 jaws self centering
- Suitable for vertical machines thanks to the front protection of the slide ways

IN-D/IL-D: MODULE 2 SERRATED master jaws (pitch 6.28 mm)
(Ø 1000 and 1600 mm)

Technical features

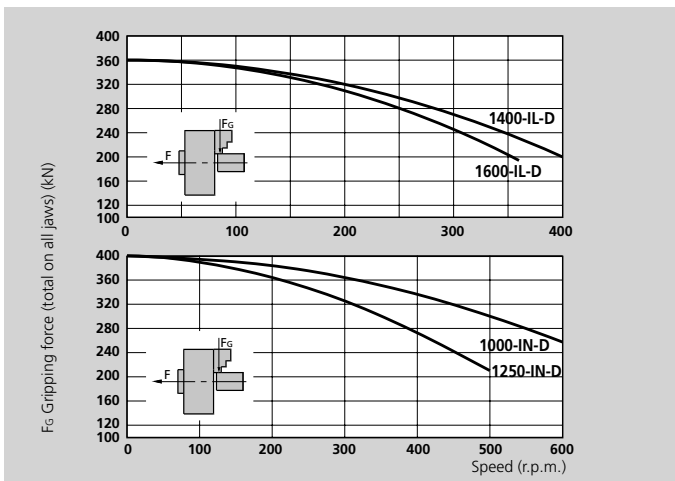
- Gripping force transmission via wedge hook
- Protection from contamination with seals along the master jaw profiles
- Possibility to use jaw boxes for manual clamping mounted on the T-slots between the master jaws

Standard equipment

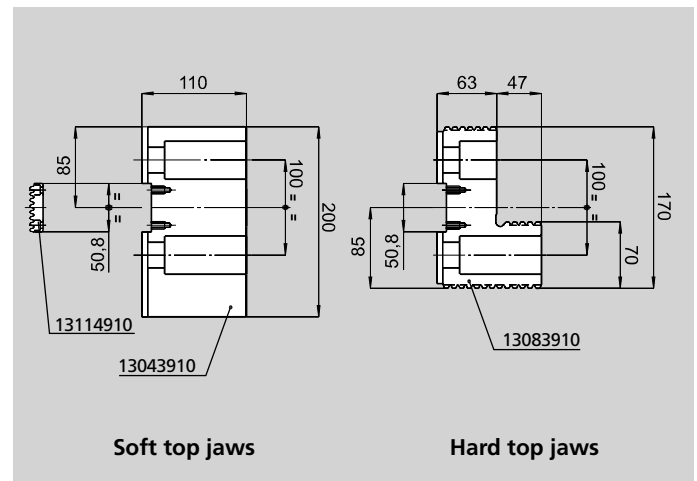
4-jaw chuck
1 set T-nuts with bolts
1 set soft top jaws with cross keys
Mounting bolts
Grease gun

Ordering example

4-jaw chuck IN-D 1600 / Z720

Actual gripping force diagrams

The data in the diagrams refer to 4-jaw chucks, newly maintained according to their service manuals using SMW-AUTOBLOK K05 grease. The static and dynamic gripping forces have been measured using standard soft top jaws, placed in a position not exceeding the outer diameter of the chuck.

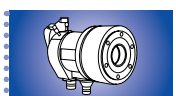
Soft and hard top jaws for IN-D and IL-D**△ Safety advice / danger of damage:**

When using taller / heavier jaws and / or clamping on a bigger diameter reduce draw pull / rotating speed accordingly.

Technical data

SMW-AUTOBLOK Type		IN-D 1000	IN-D 1250	IL-D 1400	IL-D 1600
Radial jaw stroke	mm	15	15	24	24
Axial piston stroke	mm	57	57	60	60
Max. draw pull*	kN	180	180	200	200
Max. gripping force*	kN	400	400	360	360
Max. speed	r.p.m.	600	500	400	360
Weight (without top jaws)	kg	660	900	1425	1765
Moment of inertia	kg·m ²	84	178	347	562
Hard top jaw (piece)	Id. No.	13083910	13083910	13083910	13083910
Soft top jaw (piece)	Id. No.	13043910	13043910	13043910	13043910
Recommended actuating cylinders	Type	SIN-S 250	SIN-S 250	SIN-S 250	SIN-S 250

* For internal clamping reduce the draw pull by 30%.



SMW-AUTOBLOK
321

High precision power chuck Ø 1000 - 1600 mm

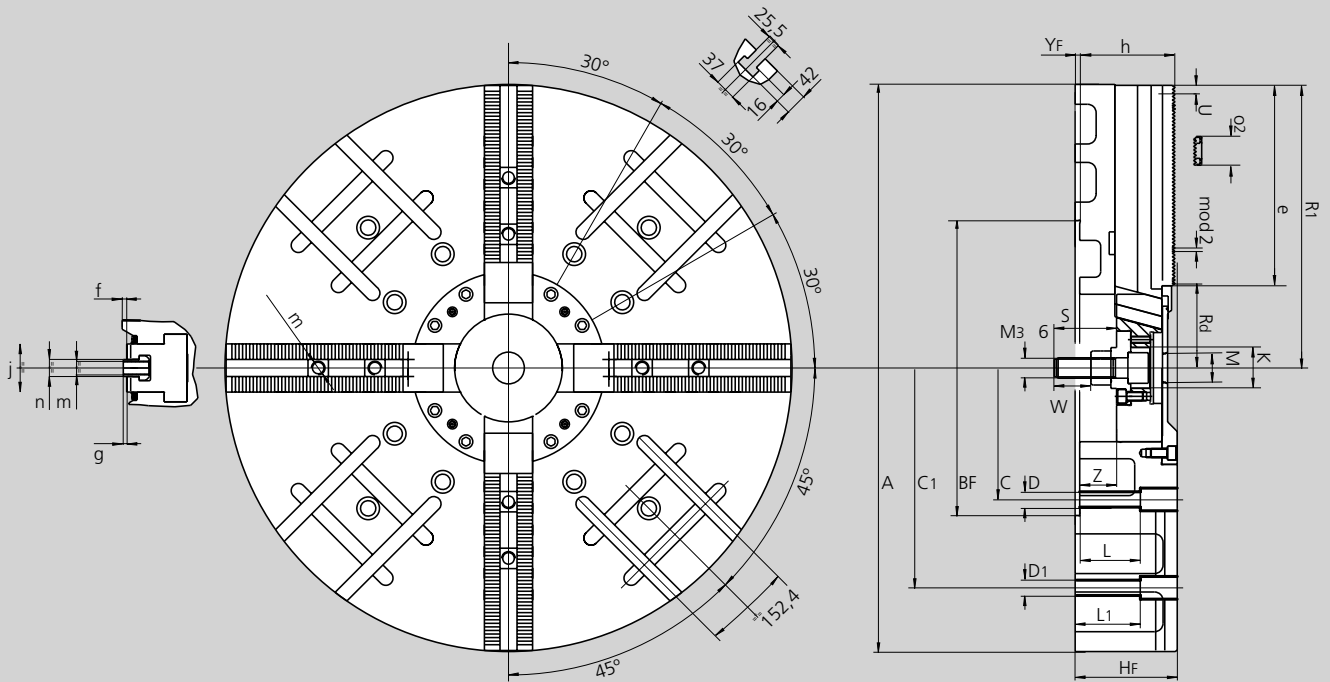
- Closed center
- Long jaw stroke
- 4 jaws (all diameters)

IN-D

MODULE 2
SERRATION

IL-D

LONG JAW STROKE
MODULE 2
SERRATION



Subject to technical changes.
For more detailed information please ask our customer service.

SMW-AUTOBLOK Type			IN-D 1000		IN-D 1250		IL-D 1400	IL-D 1600
Mounting			Z520	A20	Z520	A20	Z720	Z720
	A	mm	1005		1250		1400	1600
	BF H6	mm	520		520		720	720
	C	mm	463.6		463.6		647.6	647.6
	C1	mm	700		700		1110	1110
	D	mm	27		27		33	33
	D1	mm	27		27		27	27
	HF	mm	200		200		240	240
	K	mm	72		72		72.5	72.5
	L	mm	137		137		177	177
	L1	mm	145		145		177	177
	M	mm	M52 x 1.5		M52 x 1.5		M52 x 1.5	M52 x 1.5
Chuck open	R1	mm	498		623		696	796
Chuck open	Rd	mm	148.5		148.5		179.5	179.5
Jaw stroke	U	mm	15		15		24	24
	S	mm	118		118		118	118
	YF	mm	8		8		8	8
Max.	Z	mm	75		75		100	100
Min.	Z	mm	18		18		40	40
	e	mm	353		478		519	619
	f	mm	8		8		8	8
	g	mm	4		4		4	4
	h	mm	184		184		224	224
	j	mm	85		85		110	110
	m	mm	M24		M24		M24	M24
	n h8	mm	30		30		30	30
	o2 h6	mm	50.8		50.8		50.8	50.8

- Radial setting of jaws
- Closed center
- 3 and 6 jaws (660 - 800: 3 jaws / 1000 - 2500: 3 and 6 jaws)



Application/customer benefits

- Chucking operations of very large components
- Suitable for vertical machines thanks to the front protection of the slide ways

IR-C: Manual radial setting of master jaws, TONGUE & GROOVE (type "American Standard") (all diameters)

Technical features

- Gripping force transmission via wedge hook
- Front protection of the slide ways against swarf and chips penetration
- IR-C chucks with manual radial setting of master jaws for the workpiece centering

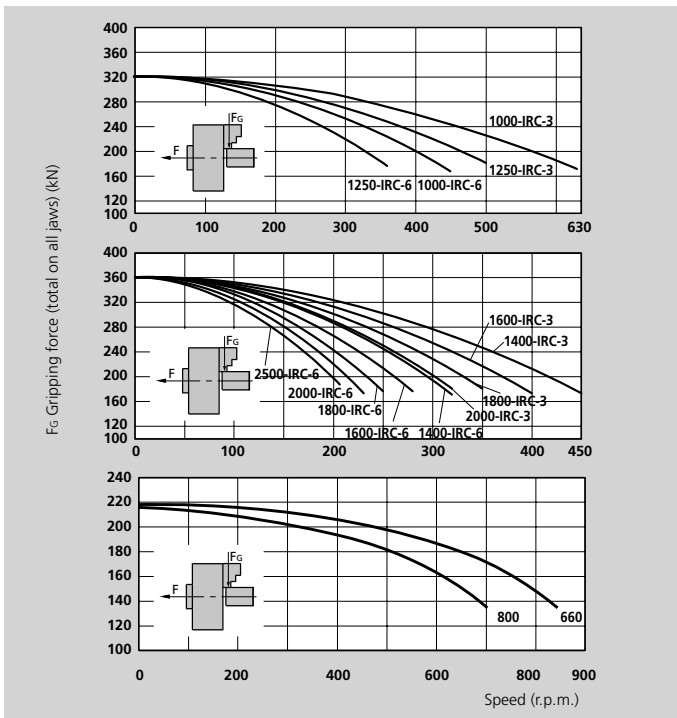
Standard equipment

- 3- or 6-jaw chuck
- 1 set soft top jaws
- Mounting bolts
- Grease gun

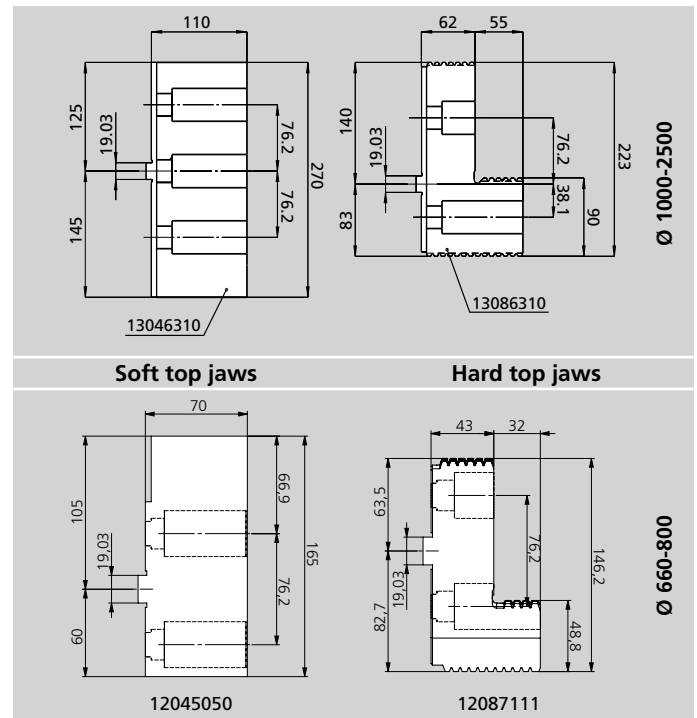
Ordering example

6-jaw chuck IR-C 1600 / Z720

Actual gripping force diagrams



Soft and hard top jaws for IR-C



The data in the diagrams refer to 3-6 jaw chucks, newly maintained according to their service manuals using SMW-AUTOBLOK K67 grease. The static and dynamic gripping forces have been measured using standard soft top jaws, placed in a position not exceeding the outer diameter of the chuck.

⚠ Safety advice / danger of damage:

When using taller / heavier jaws and / or clamping on a bigger diameter reduce draw pull / rotating speed accordingly.

Technical data

SMW-AUTOBLOK Type	IR-C 660	IR-C 800	IR-C 1000	IR-C 1250	IR-C 1400	IR-C 1600	IR-C 1800	IR-C 2000	IR-C 2500
Number of jaws	3	3	3 6	3 6	3 6	3 6	3 6	3 6	6
Radial jaw stroke (+ manual setting)	mm 20 + (20)	mm 20 + (30)	mm 23 + (30)	mm 23 + (30)	mm 24 + (40)	mm 24 + (40)	mm 24 + (40)	mm 24 + (40)	mm 30 + (40)
Axial piston stroke	mm 50	mm 50	mm 57	mm 57	mm 60	mm 60	mm 60	mm 60	mm 60
Max. draw pull*	kN 120	kN 120	kN 180	kN 180	kN 200	kN 200	kN 200	kN 200	kN 270
Max. gripping force*	kN 215	kN 215	kN 320	kN 320	kN 360	kN 360	kN 360	kN 360	kN 380
Max. speed	r.p.m. 850	r.p.m. 700	r.p.m. 630 450	r.p.m. 500 360	r.p.m. 450 320	r.p.m. 400 280	r.p.m. 350 250	r.p.m. 320 230	r.p.m. 200
Weight (without top jaws)	kg 390	kg 520	kg 600	kg 800	kg 1200	kg 1600	kg 1800	kg 2500	kg 5100
Moment of inertia	kg·m ² 15.5	kg·m ² 25	kg·m ² 68	kg·m ² 145	kg·m ² 280	kg·m ² 500	kg·m ² 750	kg·m ² 1250	kg·m ² 3860
Hard, reversible top jaw (piece)	Id. No. 12087111	Id. No. 12087111	Id. No. 13086310	Id. No. 13086310	Id. No. 13086310	Id. No. 13086310	Id. No. 13086310	Id. No. 13086310	Id. No. 13086310
Soft top jaw (piece)	Id. No. 12045050	Id. No. 12045050	Id. No. 13046310	Id. No. 13046310	Id. No. 13046310	Id. No. 13046310	Id. No. 13046310	Id. No. 13046310	Id. No. 13046310
Recommended actuating cylinders	Type SIN-S 150-175-200	Type SIN-S 150-175-200	Type SIN-S 250	Type SIN-S 250	Type SIN-S 250	Type SIN-S 250	Type SIN-S 250	Type SIN-S 250	Type SIN-S 250

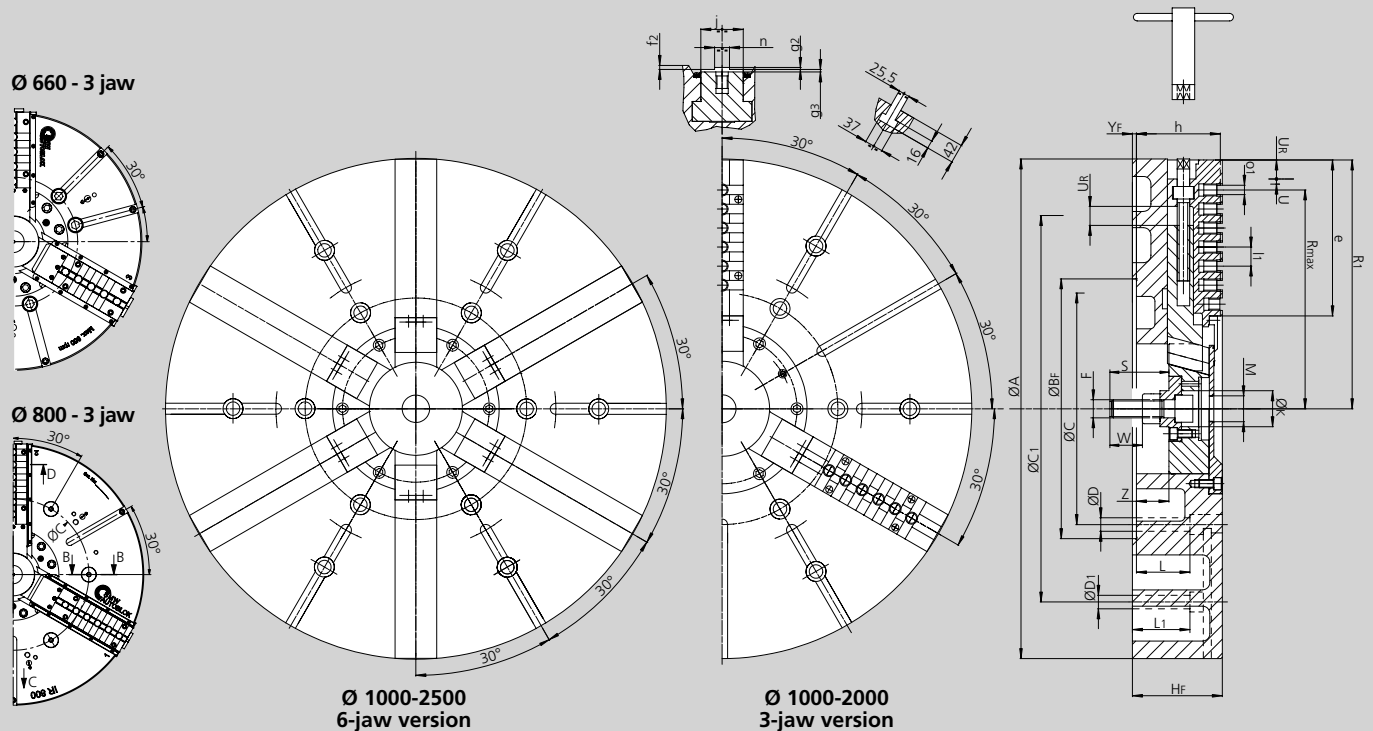
* For internal clamping reduce the draw pull by 30%.

High precision power chuck Ø 660 - 2500 mm

IR-C

- Radial setting of jaws
- Closed center
- 3 and 6 jaws (660 - 800: 3 jaws / 1000 - 2500: 3 and 6 jaws)

TONGUE & GROOVE



Subject to technical changes.
For more detailed information please ask our customer service.

SMW-AUTOBLOK Type		IR-C 660		IR-C 800		IR-C 1000		IR-C 1250		IR-C 1400	IR-C 1600	IR-C 1800	IR-C 2000	IR-C 2500
Mounting		Z380	A15	Z520	A20	Z520	A20	Z520	A20	Z720	Z720	Z720	Z720	Z720
	A	mm	660	800		1005		1250		1400	1600	1800	2000	2500
	BF H6	mm	380	285.775	520	412.775	520	520	520	720	720	720	720	720
	C	mm	330.2		463.6		463.6		647.6		647.6		647.6	
	C1	mm	-		-		700		700		1110		1110	
	D	mm	27		27		27		33		33		33	
	D1	mm	-		-		27		27		27		27	
	F	mm	M30		M30		M36		M36		M36		M36	
	HF	mm	154		150		184		222		222		240	
	K	mm	50		105		72		72		72		72	
	L	mm	75		87		121		121		159		177	
	L1	mm	-		-		97		97		130		205	
	M	mm	M52 x 1.5		M52 x 1.5		M52 x 1.5		M52 x 1.5		M52 x 1.5		M52 x 1.5	
Chuck open	R1	mm	340.5		400		502		623		696		1248	
Chuck open	Rmax	mm	307		375		457		563		657		1176	
	S	mm	97		95		100		100		100		30	
Radial stroke	U	mm	20		20		23		23		24		40	
Setting stroke	UR	mm	20		30		30		40		40		15	
	W	mm	57,5		60		65		65		65		54	
	YF	mm	8		8		8		8		8		8	
Max.	Z	mm	56		66		59		82		82		-	
Min.	Z	mm	6		16		2		22		22		-	
	e	mm	194		246		295		416		546		959	
	f2	mm	7		13		8		8		8		8	
	g2	mm	3		3		4		4		4		4	
	g3	mm	7		7		7		7		7		7	
	h	mm	156		158		168		206		206		261	
	j	mm	85		85		85		110		110		110	
	l1	mm	38.1		38.1		38.1		38.1		38.1		38.1	
	m	mm	M20		M20		M24		M24		M24		M24	
	n h8	mm	12.7		12.7		30		30		30		30	
	o1 H7	mm	19.03		19.03		19.03		19.03		19.03		19.03	
Number of „o1“ cross grooves			3		5		6		9		10		21	
Number of „m“ threads			5		6		7		10		11		21	

- Radial setting of jaws
- Closed center
- 4 jaws (all diameters)

Application/customer benefits

- Clamping of large square and irregular parts using 2 or 4 jaws self centering
- Suitable for vertical machines thanks to the front protection of the slide ways
- Manual radial setting of master jaws
- TONGUE & GROOVE (type "American Standard")

Technical features

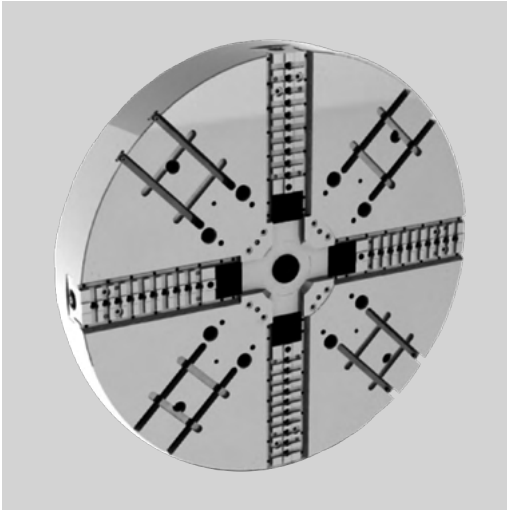
- Gripping force transmission via wedge hook
- Manual radial setting of master jaws for workpiece centering
- Protection from contamination with seals along the master jaw profiles
- Possibility to use jaw boxes for manual clamping mounted on the T-slots between the master jaws

Standard equipment

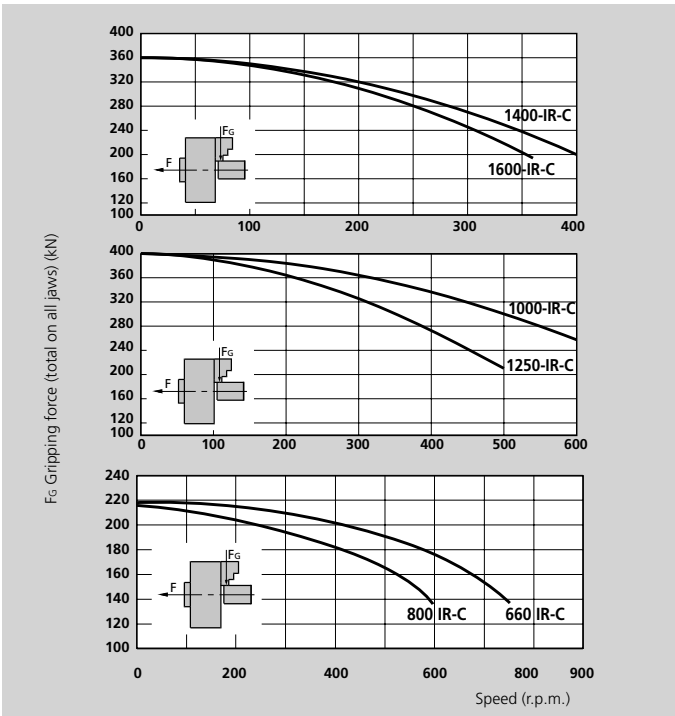
- 4-jaw chuck
- 1 set of soft top jaws
- Mounting bolts
- Grease gun

Ordering example

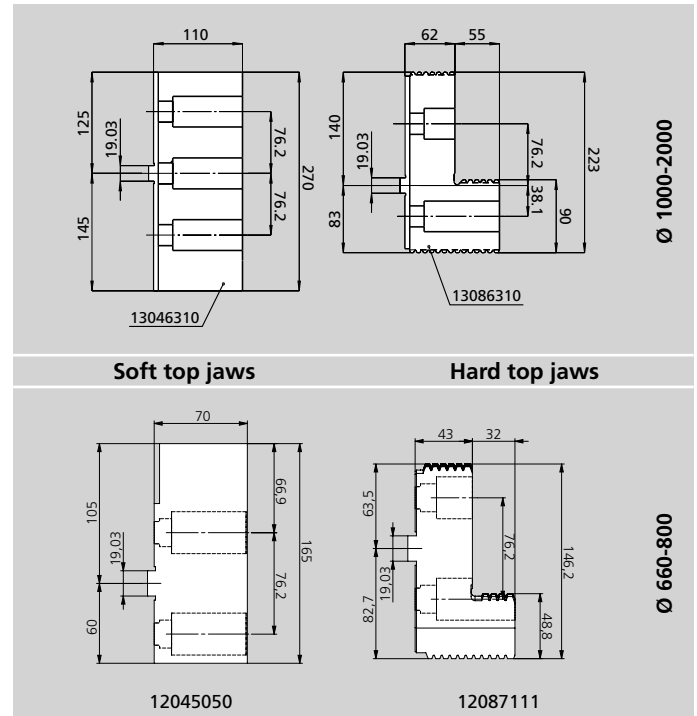
4-jaw chuck IR-C 1600 / Z720



Actual gripping force diagrams



Soft and hard top jaws for IR-C



The data in the diagram refer to 4-jaw chucks, newly maintained according to their service manuals using SMW-AUTOBLOK K67 grease. The static and dynamic gripping forces have been measured using standard soft top jaws, placed in a position not exceeding the outer diameter of the chuck.

⚠ Safety advice / danger of damage:

When using taller / heavier jaws and / or clamping on a bigger diameter reduce draw pull / rotating speed accordingly.

Technical data

SMW-AUTOBLOK Type		IR-C 660	IR-C 800	IR-C 1000	IR-C 1250	IR-C 1400	IR-C 1600	IR-C 2000
Radial jaw stroke (+ manual setting)	mm	20 + (20)	20 + (20)	23 + (30)	23 + (30)	24 + (40)	24 + (40)	24 + (40)
Axial piston stroke	mm	50	50	57	57	60	60	60
Max. draw pull*	kN	120	120	180	180	200	200	200
Max. gripping force*	kN	215	215	320	320	360	360	360
Max. speed	r.p.m.	750	600	550	450	380	340	280
Weight (without top jaws)	kg	390	490	660	900	1425	1765	2730
Moment of inertia	kg·m ²	16	40	84	178	347	562	1360
Hard, reversible top jaw (piece)	Id. No.	12087111	12087111	13086310	13086310	13086310	13086310	13086310
Soft top jaw (piece)	Id. No.	12045050	12045050	13046310	13046310	13046310	13046310	13046310
Recommended actuating cylinders	Type	SIN-S 150-175-200	SIN-S 150-175-200	SIN-S 250	SIN-S 250	SIN-S 250	SIN-S 250	SIN-S 250

* For internal clamping reduce the draw pull by 30%.

High precision power chuck Ø 660 - 2000 mm

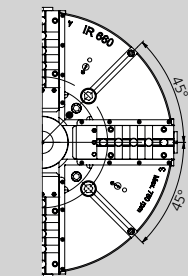
IR-C

- Radial setting of jaws
- Closed center
- 4 jaws (all diameters)

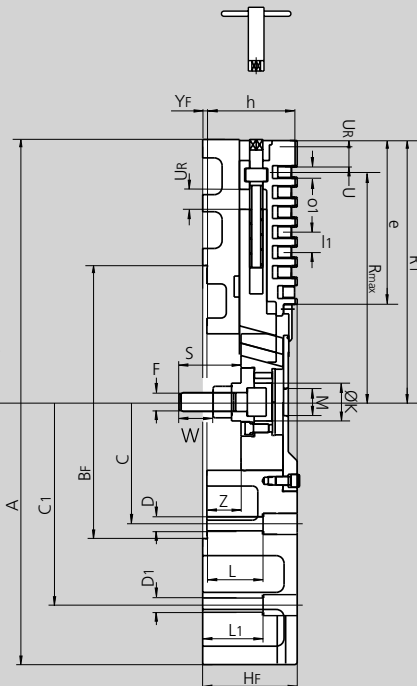
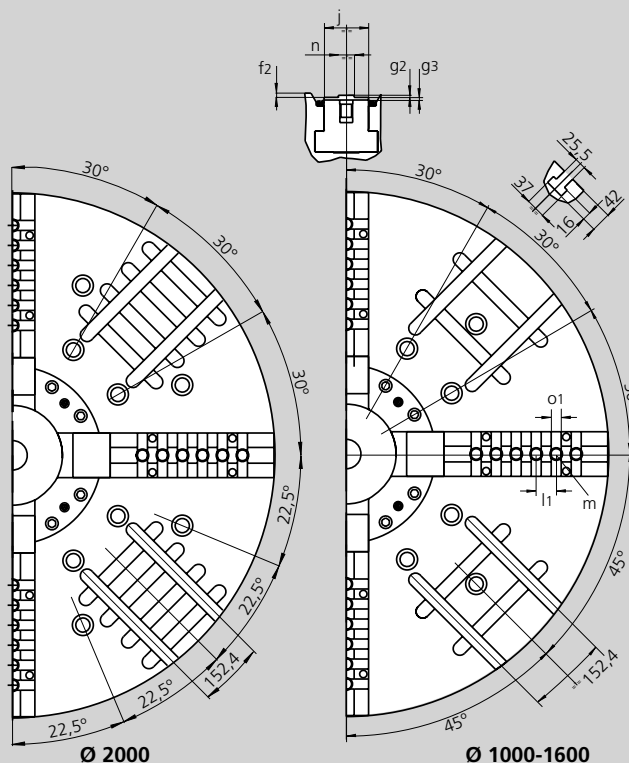
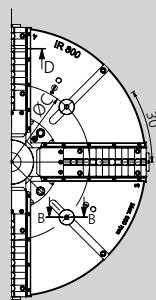
TONGUE & GROOVE

1

Ø 660



Ø 800



Subject to technical changes.
For more detailed information please ask our customer service.

SMW-AUTOBLOK Type			IR-C 660		IR-C 800		IR-C 1000		IR-C 1250		IR-C 1400		IR-C 1600		IR-C 2000	
Mounting			Z380	A15	Z520	A20	Z520	A20	Z520	A20	Z720	Z720	Z720	Z720	Z720	Z720
	A	mm	660		800		1005		1250		1400		1600		2000	
	B_F H6	mm	380	285.775	520	417.775	520	520	520	520	720	720	720	720	720	720
	C	mm	330.2		463.6		463.6		463.6		647.6		647.6		647.6	
	C₁	mm	-		-		700		700		1110		1110		1110	
	D	mm	27		27		27		27		33		33		33	
	D₁	mm	-		-		27		27		27		27		27	
	F	mm	M30		M30		M36		M36		M36		M36		M36	
	H_F	mm	154		150		200		200		240		240		260	
	K	mm	50		105		72.5		72.5		72.5		72.5		72.5	
	L	mm	75		55		137		137		177		177		197	
	L₁	mm	-		-		145		145		177		177		205	
	M	mm	M52 x 1.5		M52 x 1.5		M52 x 1.5		M52 x 1.5		M52 x 1.5		M52 x 1.5		M52 x 1.5	
Chuck open	R₁	mm	340.5		400		502		623		696		796		996	
Chuck open	R_{max}	mm	307		375		457		563		651		738		914	
Radial stroke	U	mm	20		20		23		23		24		24		24	
Setting stroke	U_R	mm	20		20		30		30		40		40		40	
	W	mm	57,5		60		65		65		65		65		65	
	S	mm	97		95		118		118		118		118		118	
	Y_F	mm	8		8		8		8		8		8		8	
Max.	Z	mm	56		66		75		75		100		100		120	
Min.	Z	mm	6		16		18		18		40		40		40	
	e	mm	194		246		295		416		446		539		739	
	f₁	mm	-		-		-		-		-		-		-	
	f₂	mm	7		13		8		8		8		8		8	
	g₂	mm	3		3		4		4		4		4		4	
	g₃	mm	7		7		7		7		7		7		7	
	h	mm	156		158		184		184		224		224		244	
	j	mm	85		85		85		85		110		110		110	
	l₁	mm	38.1		38.1		38.1		38.1		38.1		38.1		38.1	
	m	mm	M20		50		M24		M24		M24		M24		M24	
	n h8	mm	12.7		50		30		30		30		30		30	
	o₁ H7	mm	19.03		19.03		19.03		19.03		19.03		19.03		19.03	
Number of „o ₁ “ cross grooves			3		5		6		9		10		12		16	
Number of „m“ threads			5		6		7		9		11		13		17	

- Pull-down effect of inclined master jaws
- Tongue & groove master jaws
- 3 jaws



Application/customer benefits

- 1st or 2nd operation of parts requesting close squareness and parallelism tolerances
- For chucking parts
- External clamping only

RAN: Inclined master jaws with pull-down effect and TONGUE & GROOVE

Technical features

- Chuck only available with 3 tongue & groove master jaws
- Clamping on raw diameters with carbide inserts, increases the pull-down effect thanks to the penetration into the workpiece
- Central bore for coolant and / or air
- Chuck body and internal parts case hardened

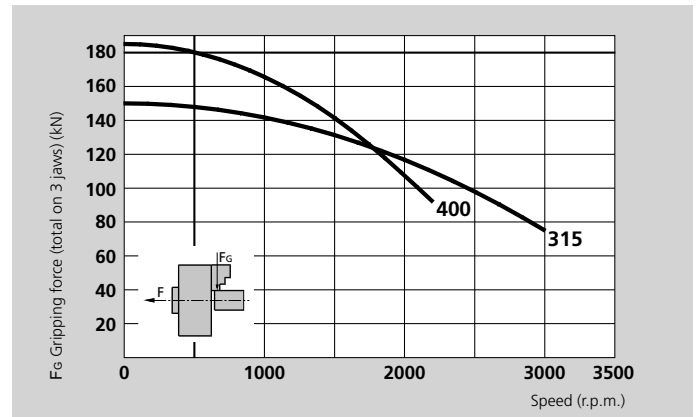
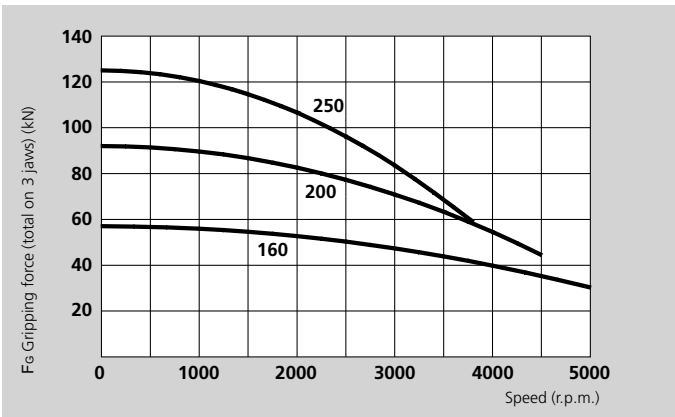
Standard equipment

3-jaw chuck
Mounting bolts

Ordering example

3-jaw chuck RAN 200 / A6
or
3-jaw chuck RAN 315 / A8

Actual gripping force diagrams



The data in the diagrams refer to 3-jaw chucks, newly maintained according to their service manuals using SMW-AUTOBLOK K05 grease. The static and dynamic gripping forces have been measured using standard soft top jaws, placed in a position not exceeding the outer diameter of the chuck.

⚠ Safety advice / danger of damage:

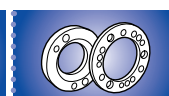
When using taller / heavier jaws and / or clamping on a bigger diameter reduce draw pull / rotating speed accordingly.

Technical data

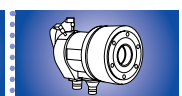
SMW-AUTOBLOK Type		RAN 160	RAN 200	RAN 250	RAN 315	RAN 400
Number of jaws		3	3	3	3	3
Radial jaw stroke	mm	5	5	6	8	8
Axial jaw stroke (pull-down)	mm	1.25	1.25	1.5	2	2
Axial piston stroke	mm	20	20	25	32	32
Max. draw pull	kN	25	40	55	65	80
Max. gripping force	kN	57	92	125	150	185
Max. speed	r.p.m.	5000	4500	3800	3000	2200
Weight (without top jaws)	kg	10	17	31	54	95
Moment of inertia	kg·m ²	0.034	0.10	0.26	0.65	1.85
Top jaw reference mass	kg	0.58	0.92	1.25	2.15	3.6
Recommended actuating cylinders	Type	SIN-S 85 / 100	SIN-S 100 / 125	SIN-S 125 / 150	SIN-S 125 / 150	SIN-S 150 / 175



SMW-AUTOBLOK
466



SMW-AUTOBLOK
460



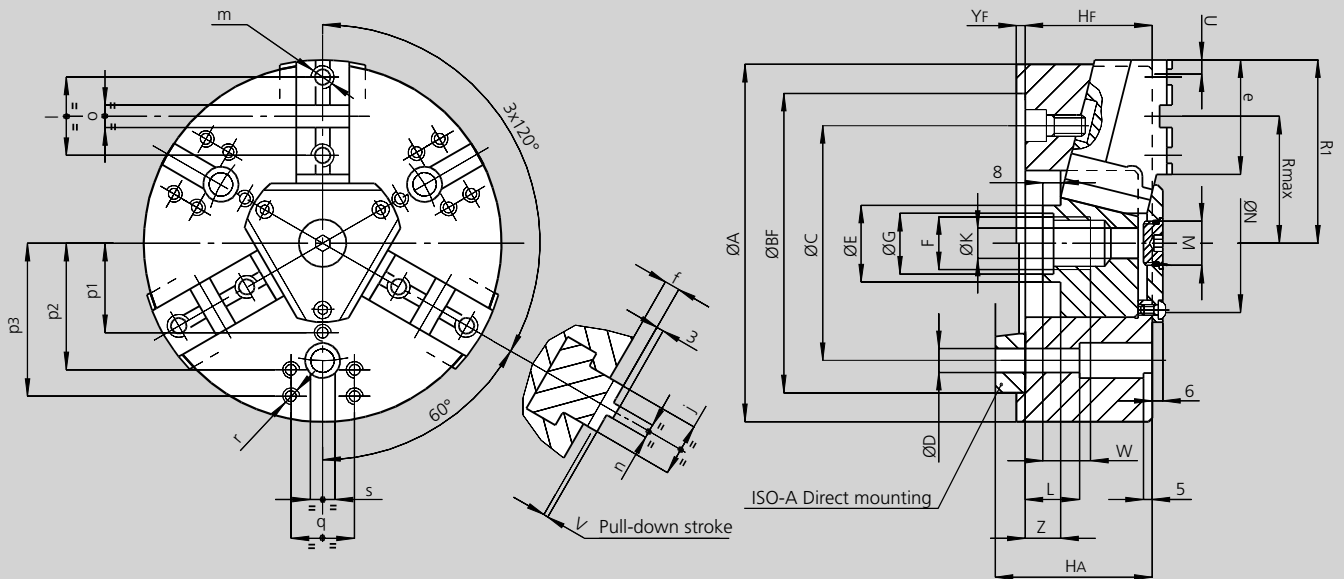
SMW-AUTOBLOK
321

High precision pull-down chuck \varnothing 160 - 400 mm

RAN

- Pull-down effect of inclined master jaws
- Tongue & groove master jaws
- 3 jaws

TONGUE & GROOVE



Subject to technical changes.
For more detailed information please ask our customer service.

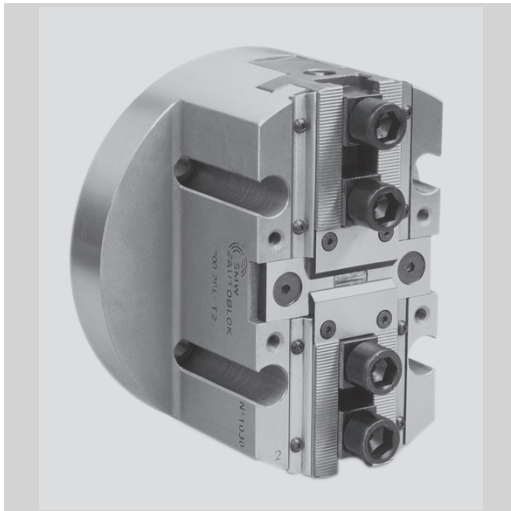
SMW-AUTOBLOK Type			RAN 160		RAN 200		RAN 250		RAN 315		RAN 400	
Mounting			Z140	A5	Z170	A6	Z220	A8	Z220	A8	Z300	A11
	A	mm	165		203		250		305		390	
	BF H6	mm	140		170		220		220		300	
Fixing holes circle	C	mm	104.8		133.4		171.4		171.4		235	
Fixing holes diameter	D	mm	11.5		13.5		17		17		21	
	E	mm	32		41		47		47		66	
	F	mm	M24 x 2		M32 x 1.5		M38 x 1.5		M38 x 1.5		M56 x 2	
	G	mm	25		33		39		39		57	
	HF/HA	mm	66	81	72	89	87	106	95	114	104	125
Central through-hole	K	mm	16		18		25		25		36	
	L	mm	13		22		18		18		54	
	M	mm	M20 x 1		M24 x 1		M28 x 1.5		M28 x 1.5		M52 x 1.5	
Chuck open	N	mm	75		90		105		112		145	
Chuck open	R1	mm	85		104		128		155		198	
Chuck open	Rmax	mm	56		72		88		105		133	
Radial clamp. stroke	U	mm	5		5		6		8		8	
Pull-down clamp. stroke	V	mm	1.25		1.25		1.5		2		2	
	W	mm	20		25		25		25		35	
	YF	mm	5		5		5		5		6	
Axial wedge stroke	Z	mm	20		20		25		32		32	
	e	mm	57		65		84		103		130	
Chuck open	f	mm	8.25		8.25		8.5		9		11	
	j	mm	24		30		36		36		45	
	l	mm	38		44.4		54		63.5		76.2	
	m	mm	M10		M12		M16		M16		M20	
	n h8	mm	7.94		7.94		12.7		12.7		12.7	
	o H7	mm	12.68		12.68		19.03		19.03		19.03	
	p1	mm	-		-		60		65		85	
	p2	mm	65		72		100		90		120	
	p3	mm	-		87		-		120		150	
	q	mm	36		36		60		60		80	
	r	mm	M8		M8		M10		M10		M12	
	s	mm	16		14		16		20		20	

CL-C

TONGUE & GROOVE

CL-DINCH
SERRATION**High precision power chuck Ø 80 - 315 mm**

- Long stroke
- Closed center
- 2 jaws

**Application/customer benefits**

- Gripping or handling of irregular shaped pieces, for example on special machines
- Suitable for vertical machines

CL-C: Master jaws with TONGUE & GROOVE (Ø 80 - 160 mm)**CL-D:** Master jaws with INCH SERRATION (1/16" x 90°) (Ø 200 - 315 mm)**Technical features**

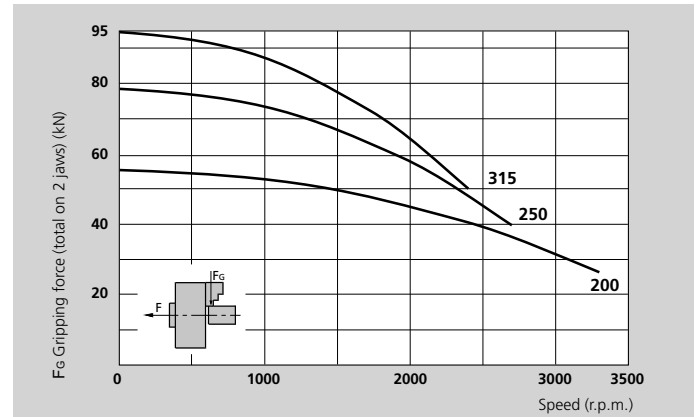
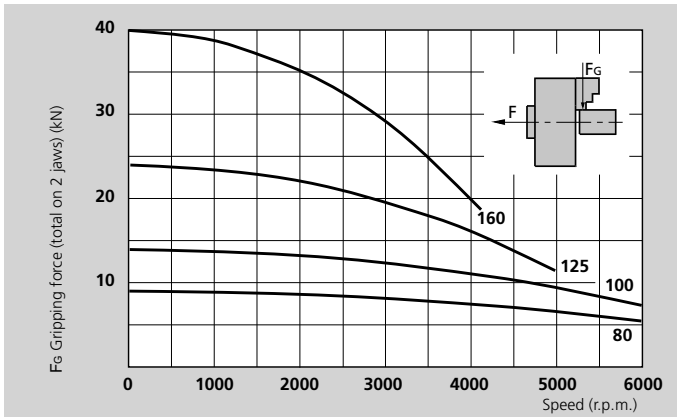
- EXTRA long stroke per jaw
- Gripping force transmission via wedge hook
- Sealed against swarf and chips

Standard equipment

2-jaw chuck
4 T-nuts with bolts (Ø 200 - 315 mm)
Without top jaws

Ordering example

2-jaw chuck CL-D 250 / A8
or
2-jaw chuck CL-C 100 / Z92

Actual gripping force diagrams

The data in the diagrams refer to 2-jaw chucks, newly maintained according to their service manuals using SMW-AUTOBLOK K05 grease. The static and dynamic gripping forces have been measured using standard soft top jaws, placed in a position not exceeding the outer diameter of the chuck.

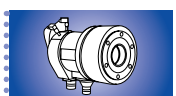
△ Safety advice / danger of damage:

When using taller / heavier jaws and / or clamping on a bigger diameter reduce draw pull / rotating speed accordingly.

Technical data

SMW-AUTOBLOK Type		CL-C 80	CL-C 100	CL-C 125	CL-C 160	CL-D 200	CL-D 250	CL-D 315
Number of jaws		2	2	2	2	2	2	2
Radial jaw stroke	mm	4.4	5.5	8	10	12	13	14
Axial piston stroke	mm	11	14	20	25	30	32	35
Max. draw pull*	kN	6	9	15	25	35	50	60
Max. gripping force*	kN	9	14	24	40	55	78	95
Max. speed	r.p.m.	6000	6000	5000	4100	3300	2700	2400
Weight (without top jaws)	kg	1.5	2.5	5	10	14	24	38
Moment of inertia	kg·m ²	0.0012	0.003	0.010	0.03	0.065	0.18	0.41

* For internal clamping reduce the draw pull by 30%.

SMW-AUTOBLOK
460SMW-AUTOBLOK
462SMW-AUTOBLOK
321

High precision power chuck \varnothing 80 - 315 mm

- Long stroke
- Closed center
- 2 jaws

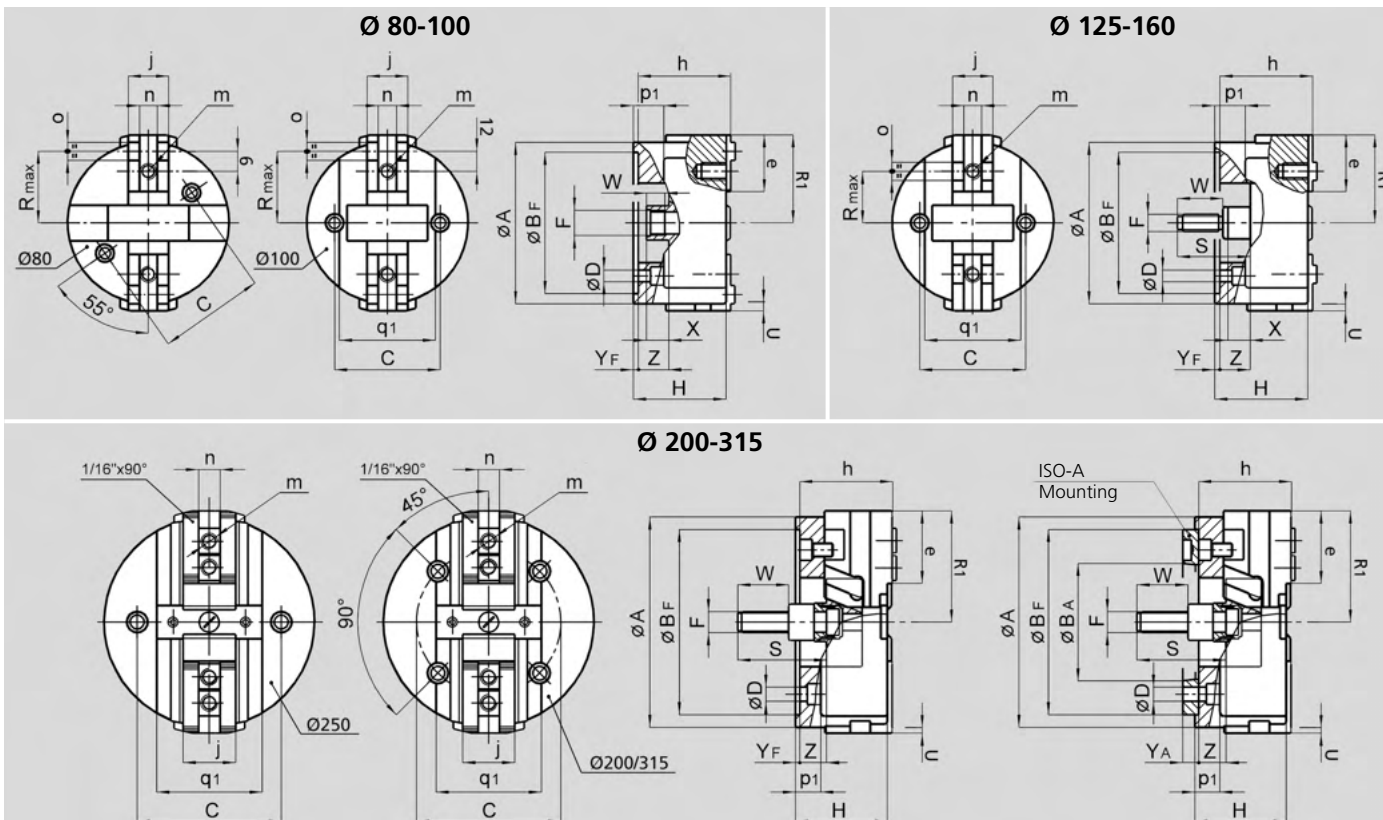
CL-C

TONGUE & GROOVE

CL-D

INCH
SERRATION

1



Subject to technical changes.
For more detailed information please ask our customer service.

SMW-AUTOBLOK Type			CL-C 80		CL-C 100		CL-C 125		CL-C 160		CL-D 200		CL-D 250		CL-D 315	
			TONGUE & GROOVE						INCH SERRATION							
Mounting			Z74	-	Z92	-	Z115	-	Z140	A5	Z170	A6	Z220	A8	Z220	A8
	A	mm	80		100		125		160		200		250		315	
	BF H6	mm	74	-	92	-	115	-	140		170		220		220	
	BA	mm	-	-	-	-	-	-	82.563		-	106.375	-	139.719	-	139.719
	C	mm	60		75		92		104.8		133.4		171.4		171.4	
	D	mm	9	-	11	-	13.5	-	12	12	13.5	13.5	17	17	17	17
	F	mm	M16 x 1.5		M18 x 1.5		M16		M16		M20		M24		M24	
	HF/HA	mm	45	-	54	-	76	-	92	102	103	115	109	123	114	128
Chuck open	R1	mm	40		50		68		87		108		132		165	
	Rmax	mm	32.4		43		38		51		-		-		-	
	S	mm	-		-		49		109		97		105		105	
Jaw stroke	U	mm	4.4		5.5		8		10		12		13		14	
	W	mm	12		16		40		52		55		60		60	
	X	mm	14		11		6		22		8		10		10	
	YF/YA	mm	4	-	4	-	4	-	5	15	5	17	5	19	5	19
Min. / max.	Z	mm	11 / 0		14 / 0		26 / 6		30 / 5		30 / 0		32 / 0		37 / 2	
	e	mm	24.5		32		46		56		70		86		120	
	h	mm	45		54		76		91		104		110		115	
	j	mm	20		22		30		40		50		62		62	
	m	mm	M8		M10		M12		M16		M16		M20		M20	
	n h8	mm	8		8		14		18		21		25.5		25.5	
	o	mm	8		8		16		18		-		-		-	
	p1	mm	-		22		30		30		31		33		36	
	q1	mm	-		60		75		95		110		125		140	

Notes

A large rectangular area filled with horizontal stripes in two shades of blue: a medium blue and a light blue. The stripes are evenly spaced and cover the majority of the page, providing a template for writing notes.

Open center power chucks



BH-D
INCH
SERRATION
High precision power chucks
Ø 130 - 450 mm

- Large through-hole
- 2, 3 and 4 jaws

Page 96



BH-M
METRIC
SERRATION
High precision power chucks
Ø 130 - 450 mm

- Large through-hole
- 2, 3 and 4 jaws

Page 98



BH-D Big diameters
INCH
SERRATION
High precision power chucks
Ø 500 - 800 mm

- Large through-hole
- 3 jaws

Page 100

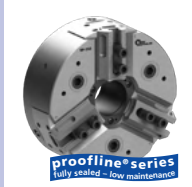


BHD-FC
INCH
SERRATION
High precision power chucks
Ø 165 - 630 mm

- Large through-hole
- Centrifugal force compensation
- 3 jaws

Page 102

BHM-FC
METRIC
SERRATION



BP-D
INCH
SERRATION
High precision power chucks
Ø 220 - 320 mm

- Large through-hole
- 3 jaws
- **proofline®** chucks = fully sealed - low maintenance

Page 104

BP-M
METRIC
SERRATION



BP-C
TONGUE & GROOVE
High precision power chucks
Ø 220 - 320 mm

- Large through-hole
- 3 jaws
- **proofline®** chucks = fully sealed - low maintenance

Page 106



BB-D
INCH
SERRATION
High precision power chucks
Ø 140 - 315 mm

- EXTRA large through-hole
- 3 jaws

Page 108

BB-M
METRIC
SERRATION



HFKN-D / -M
INCH / METRIC
SERRATION
High precision power chucks
Ø 110 - 500 mm

- Wedge-bar design
- Large through-hole
- 3 jaws

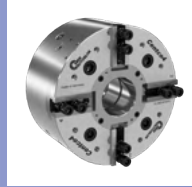
Page 110



HFKS-2G
INCH / METRIC
SERRATION
High precision power chucks
Ø 210 - 320 mm

- Wedge-hook design with centrifugal force compensation
- Large through-hole
- 3 jaws
- Reduced weight

Page 116



Centco4
INCH / METRIC
SERRATION
4-jaw chucks
Ø 210 - 400 mm

- Independent self centering clamping in 2 axis
- Centrifugal force compensation
- 4 jaws
- Large through-hole

Page 124

BH-D

INCH
SERRATION

High precision power chuck Ø 130 - 450 mm

- Large through-hole
- 2, 3 and 4 jaws

Application/customer benefits

- For open center or partial open center clamping
- Large through-hole

BH-D: Master jaws with INCH SERRATION (1/16" x 90°) (400 and 450 3/32" x 90°)

Technical features

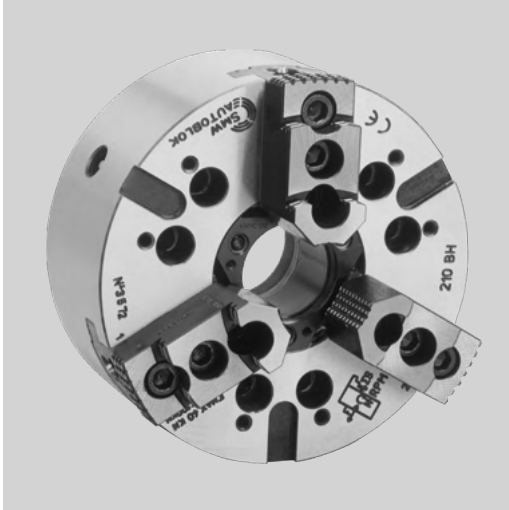
- Gripping force transmission via wedge hook
- Case hardened body to assure greatest precision and long chuck life
- 2-jaw version from diameter 130 to 315
- 3-jaw version available in all diameters
- 4-jaw chuck available starting from diameter 165 mm

Standard equipment

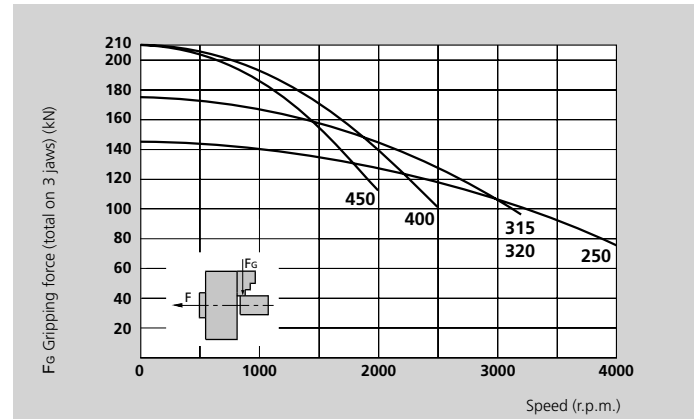
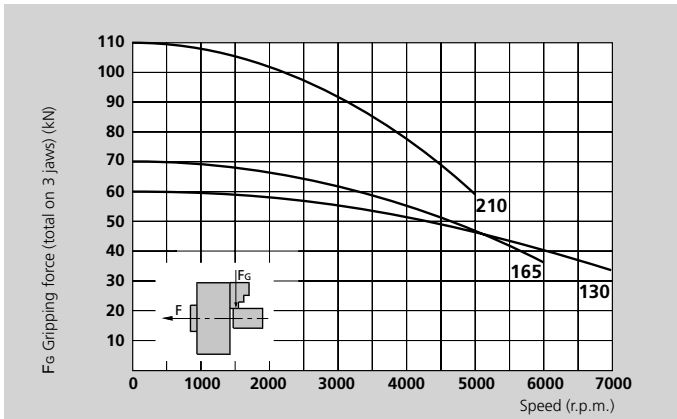
- 2-, 3- or 4-jaw chuck
- 1 set T-nuts with bolts
- 1 set soft top jaws
- Mounting bolts

Ordering example

- 2-jaw chuck BH-D 210 / A6
- or
- 3-jaw chuck BH-D 250 / A8



Actual gripping force diagrams



The data in the diagrams refer to 3-jaw chucks, newly maintained according to their service manuals using SMW-AUTOBLOK K05 grease. The static and dynamic gripping forces have been measured using standard soft top jaws, placed in a position not exceeding the outer diameter of the chuck.

△ Safety advice / danger of damage:

When using taller / heavier jaws and / or clamping on a bigger diameter reduce draw pull / rotating speed accordingly.

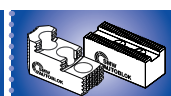
Technical data

SMW-AUTOBLOK Type		BH-D 130		BH-D 165			BH-D 210			BH-D 250			BH-D 315			BH-D 320		BH-D 400		BH-D 450	
Number of jaws		2	3	2	3	4	2	3	4	2	3	4	2	3	4	3	3	4	3	4	
Through-hole	mm	32		46			52			66			95			103		118		118	
Radial jaw stroke	mm	3.2		3.2			4			5			5			5		6.5		6.5	
Axial piston stroke	mm	15		15			19			24			24			24		31		31	
Max. draw pull*	kN	15	22	17	25	25	25	38	38	34	50	50	40	60	60	60	70	70	70	70	
Max. gripping force*	kN	42	60	48	70	70	72	110	110	98	145	145	115	175	175	175	210	210	210	210	
Max. speed	r.p.m.	7000	7000	6000	6000	5000	5000	5000	4300	4000	4000	3400	3200	3200	2700	3200	2500	2000	2000	1700	
Weight (without top jaws)	kg	5		9.5			19			30			46			52		86		135	
Moment of inertia	kg·m ²	0.012		0.036			0.12			0.27			0.62			0.72		2		3.5	
Recommended actuating cylinders		SIN-S 85 / 100		SIN-S 100			SIN-S 100 / 125			SIN-S 125 / 150			SIN-S 125 / 150			SIN-S 125 / 150		SIN-S 150 / 175			
		VNK-T2 70-37		VNK-T2 102-46			VNK-T2 130-52			VNK-T2 150-67			VNK-T2 225-95			VNK-T2 250-110		VNK-T2 320-127			

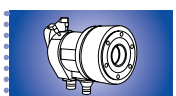
* For internal clamping reduce the draw pull by 30%.



SMW-AUTOBLOK
460



SMW-AUTOBLOK
462



SMW-AUTOBLOK
321

BH-M

METRIC
SERRATION

High precision power chuck Ø 130 - 450 mm

- Large through-hole
- 2, 3 and 4 jaws

Application/customer benefits

- For open center or partial open center clamping
- Large through-hole

BH-M: Master jaws with METRIC SERRATION (1.5 mm x 60°)
(Suitable for Japanese chucks top jaws)

Technical features

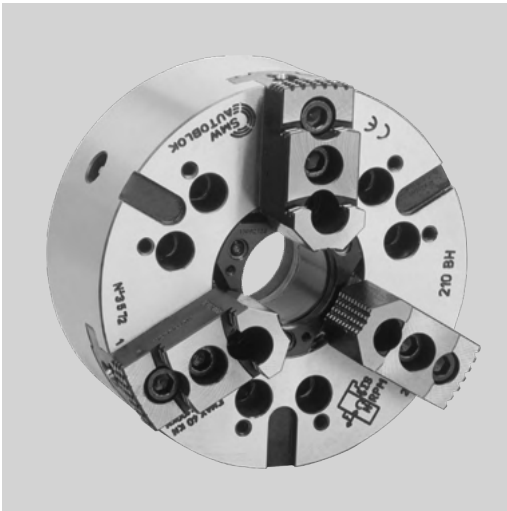
- Gripping force transmission via wedge hook
- Case hardened body to assure greatest precision and long chuck life
- 2 jaw version from diameter 130 to 315
- 3 jaw version available in all diameters
- 4 jaw chuck available starting from diameter 165 mm

Standard equipment

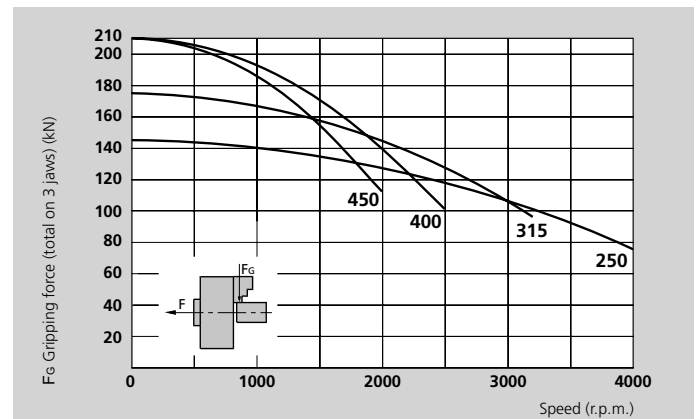
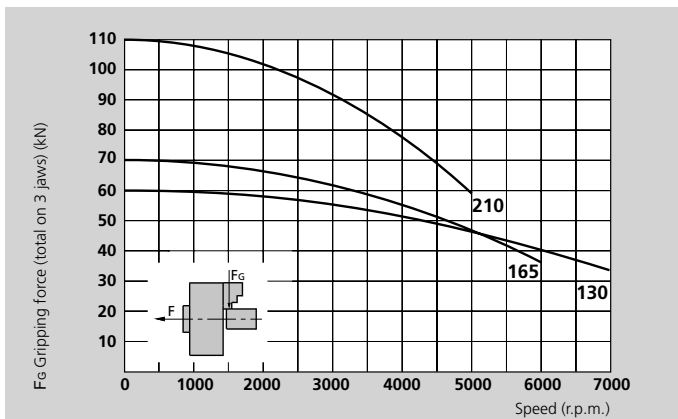
- 2-, 3- or 4-jaw chuck
- 1 set T-nuts with bolts
- 1 set soft top jaws
- Mounting bolts

Ordering example

- 2-jaw chuck BH-M 210 / A6
- or
- 3-jaw chuck BH-M 250 / A8



Actual gripping force diagrams



The data in the diagrams refer to 3-jaw chucks, newly maintained according to their service manuals using SMW-AUTOBLOK K05 grease. The static and dynamic gripping forces have been measured using standard soft top jaws, placed in a position not exceeding the outer diameter of the chuck.

△ Safety advice / danger of damage:

When using taller / heavier jaws and / or clamping on a bigger diameter reduce draw pull / rotating speed accordingly.

Technical data

SMW-AUTOBLOK Type		BH-M 130			BH-M 165			BH-M 210			BH-M 250			BH-M 315			BH-M 320			BH-M 400			BH-M 450		
Number of jaws		2	3	2	3	4	2	3	4	2	3	4	2	3	4	3	3	4	3	3	4	3	4		
Through-hole	mm	32			46			52			66			95			103			118			118		
Radial jaw stroke	mm	3.2			3.2			4			5			5			5			6.5			6.5		
Axial piston stroke	mm	15			15			19			24			24			24			31			31		
Max. draw pull*	kN	15	22	17	25	25	25	38	38	34	50	50	40	60	60	60	70	70	70	70	70	70	70		
Max. gripping force*	kN	42	60	48	70	70	72	110	110	98	145	145	115	175	175	175	210	210	210	210	210	210	210		
Max. speed	r.p.m.	7000	7000	6000	6000	5000	5000	5000	4300	4000	4000	3400	3200	3200	2700	3200	2500	2000	2000	2000	1700	1700	1700		
Weight (without top jaws)	kg	5			9.5			19			30			46			52			86			135		
Moment of inertia	kg·m ²	0.012			0.036			0.12			0.27			0.62			0.72			2			3.5		
Recommended actuating cylinders		SIN-S 85 / 100 VNK-T2 70-37			SIN-S 100 VNK-T2 102-46			SIN-S 100 / 125 VNK-T2 130-52			SIN-S 125 / 150 VNK-T2 150-67			SIN-S 125 / 150 VNK-T2 225-95			SIN-S 125 / 150 VNK-T2 250-110			SIN-S 150 / 175 VNK-T2 320-127					

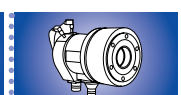
* For internal clamping reduce the draw pull by 30%.



SMW-AUTOBLOK
460



SMW-AUTOBLOK
462



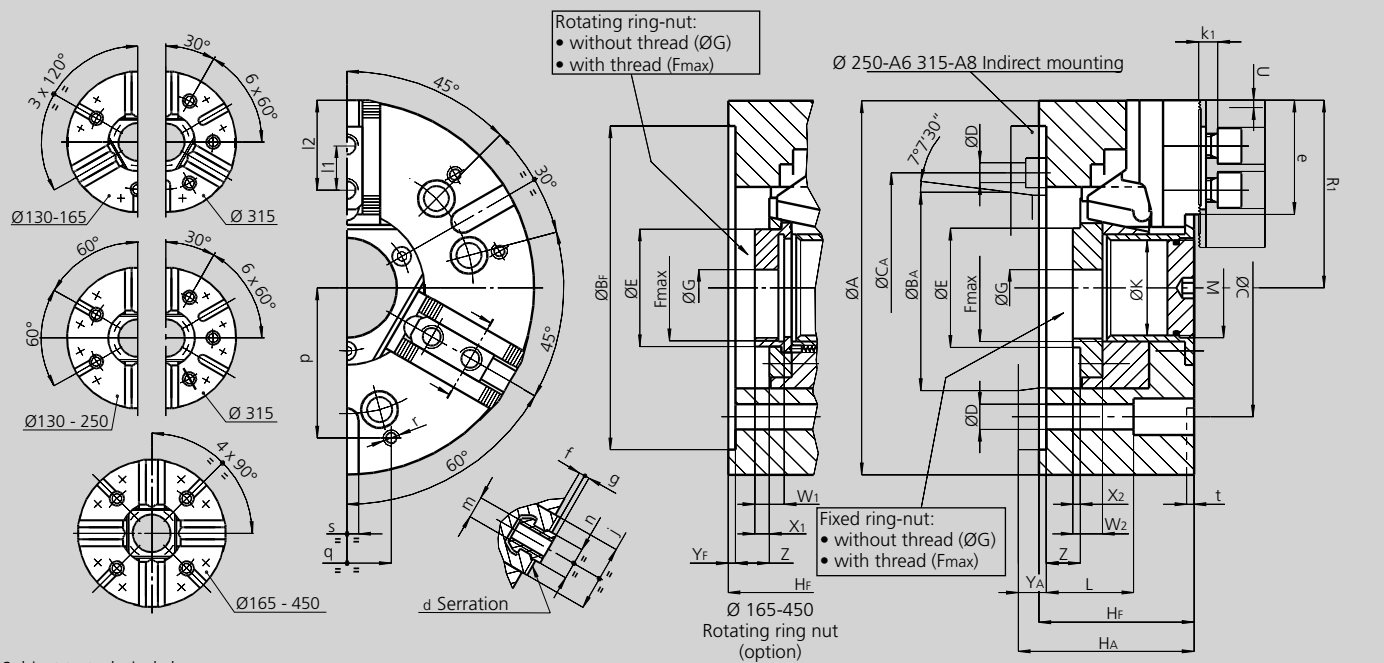
SMW-AUTOBLOK
321

High precision power chuck Ø 130 - 450 mm

BH-M

- Large through-hole
- 2, 3 and 4 jaws

METRIC
SERRATION



Subject to technical changes.
For more detailed information please ask our customer service.

SMW-AUTOBLOK Type			BH-M 130		BH-M 165		BH-M 210		BH-M 250			BH-M 315			BH-M 320			BH-M 400		BH-M 450	
Mounting			Z115	A4	Z140	A5	Z170	A6	Z220	A6	A8	Z300	A8	A11	Z300	A8	A11	Z300	A11	Z300	A11
	A	mm	130		165		210		254			315			325			390		450	
	Bf/BA H6	mm	115	63.513	140	82.563	170	106.375	220	106.375	139.719	300	139.719	196.869	300	139.719	196.869	300	196.869	300	196.869
	C	mm	82.6		104.8		133.4		171.4	-	171.4	235	-	235	235	-	235	235	-	235	235
	CA	mm	-	-	-	-	-	-	-	133.4	-	-	171.4	-	-	171.4	-	-	-	-	-
	D	mm	11.5		11.5		13.5		17	13.5	17	21	17	21	21	17	21	21	17	21	21
	E	mm	43.5		(*)		67		81			111			119			143		143	
	Fmax	mm	M38 x 1.5		(**)		M60 x 2		M75 x 2			M100 x 2			M110 x 2			M130 x 2		M130 x 2	
	G	mm	12.5		20		20		25			25			32			70		70	
	Hf/HA	mm	67	75	77	87	92	104	105	124	119	111	136	127	111	136	127	128	143	128	143
	K	mm	32		46		52		66			95			103			118		118	
	L	mm	51		61		66		59			33			33			101		101	
	M	mm	M35 x 1.5		M48 x 1.5		M54 x 1.5		M68 x 2			M98 x 2			M106 x 2			M120 x 2		M120 x 2	
Chuck open	R1	mm	66.5		84.5		105.5		127.5			158			162			195		225	
Jaw stroke	U	mm	3.2		3.2		4		5			5			5			6.5		6.5	
	W1/W2	mm	- / 14		18 / 16		20 / 18		33 / 38			33 / 40			23 / 40			33 / 35		33 / 35	
	X1/X2	mm	- / 6		11 / 5		11 / 5		24 / 24			24 / 24			12 / 24			19 / 17		19 / 17	
	Yf/YA	mm	5	13	5	15	5	17	5	24	19	5	30	21	5	30	21	6	21	6	21
Max. / min.	Z	mm	15 / 0		15 / 0		19 / 0		24 / 0			24 / 0			0 / -24			31 / 0		31 / 0	
Serration	d	mm	1.5 x 60°		1.5 x 60°		1.5 x 60°		1.5 x 60°			1.5 x 60°			1.5 x 60°			1.5 x 60°		1.5 x 60°	
	e	mm	39		49.5		66		77.5			93			93			116.5		146.5	
	f	mm	2		3		3		4			4			4			5		5	
	g	mm	2.5		2.5		2.5		3.5			3.5			3.5			3.5		3.5	
	j	mm	30		33		38		45			45			45			62		62	
	k1	mm	10		10		11		12			12			12			14		14	
	l1	mm	16		20		25		30			30			30			34		34	
Max. / min.	lz	mm	32 / 23		41 / 24		56 / 33		62 / 43			78 / 43			78 / 43			90 / 49		120 / 49	
	m	mm	M8		M10		M12		M12			M16			M16			M20		M20	
	n h8	mm	12		12		14		16			21			21			22		22	
	p	mm	52		65		80		102			100			100			150		150	
	q	mm	30		36		45		60			60			60			80		80	
	r	mm	M6		M8		M8		M10			M10			M10			M12		M12	
	s H12	mm	12		16		16		16			20			20			20		20	
	t	mm	5		5		5		5			5			5			5		5	

* E fixed ring nut Ø 60
E rotating ring nut Ø 56
** F_{max} fixed ring nut M55 x 2
F_{max} rotating ring nut M50 x 1.5

BH-D

Big diameters

INCH
SERRATION

High precision power chuck Ø 500 - 800 mm

- Large through-hole
- 3 jaws



Application/customer benefits

- For open center or partial open center clamping
- Large through-hole

BH-D: Master jaws with INCH SERRATION 3/32" x 90°

Technical features

- Gripping force transmission via wedge hook

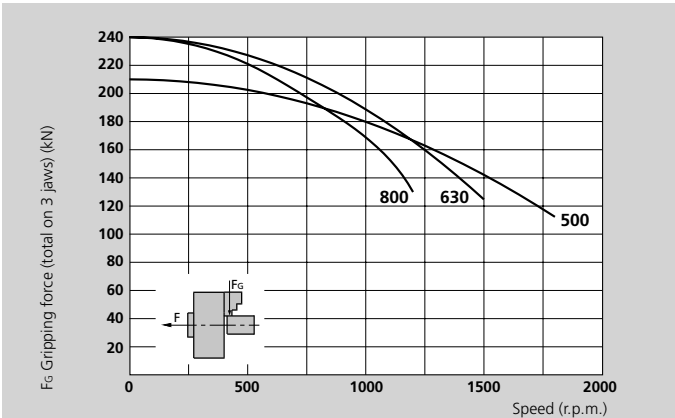
Standard equipment

- 3-jaw chuck
- 1 set T-nuts with bolts
- 1 set soft top jaws
- Blank ring-nut
- Mounting bolts

Ordering example

- 3-jaw chuck BH-D 500 / A15
- or
- 3-jaw chuck BH-D 800 / Z520

Actual gripping force diagram



The data in the diagram refers to 3-jaw chucks, newly maintained according to their service manuals using SMW-AUTOBLOK K05 grease. The static and dynamic gripping forces have been measured using standard soft top jaws, placed in a position not exceeding the outer diameter of the chuck.

△ Safety advice / danger of damage:

When using taller / heavier jaws and / or clamping on a bigger diameter reduce draw pull / rotating speed accordingly.

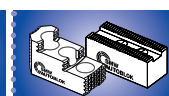
Technical data

SMW-AUTOBLOK Type		BH-D 500	BH-D 630	BH-D 800
Number of jaws		3	3	3
Through-hole	mm	180	230	230
Radial jaw stroke	mm	6.5	9	9
Axial piston stroke	mm	31	34	34
Max. draw pull*	kN	70	100	100
Max. gripping force*	kN	210	240	240
Max. speed	r.p.m.	1800	1500	1200
Weight (without top jaws)	kg	140	280	530
Moment of inertia	kg·m ²	5	16	47
Recommended actuating cylinders		SIN-S 150 / 200 VSG 450-165	SIN-S 150 / 200 VSG 550-205	SIN-S 150 / 200 VSG 550-205

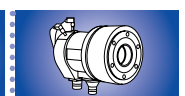
* For internal clamping reduce the draw pull by 30%.



SMW-AUTOBLOK
460



SMW-AUTOBLOK
462



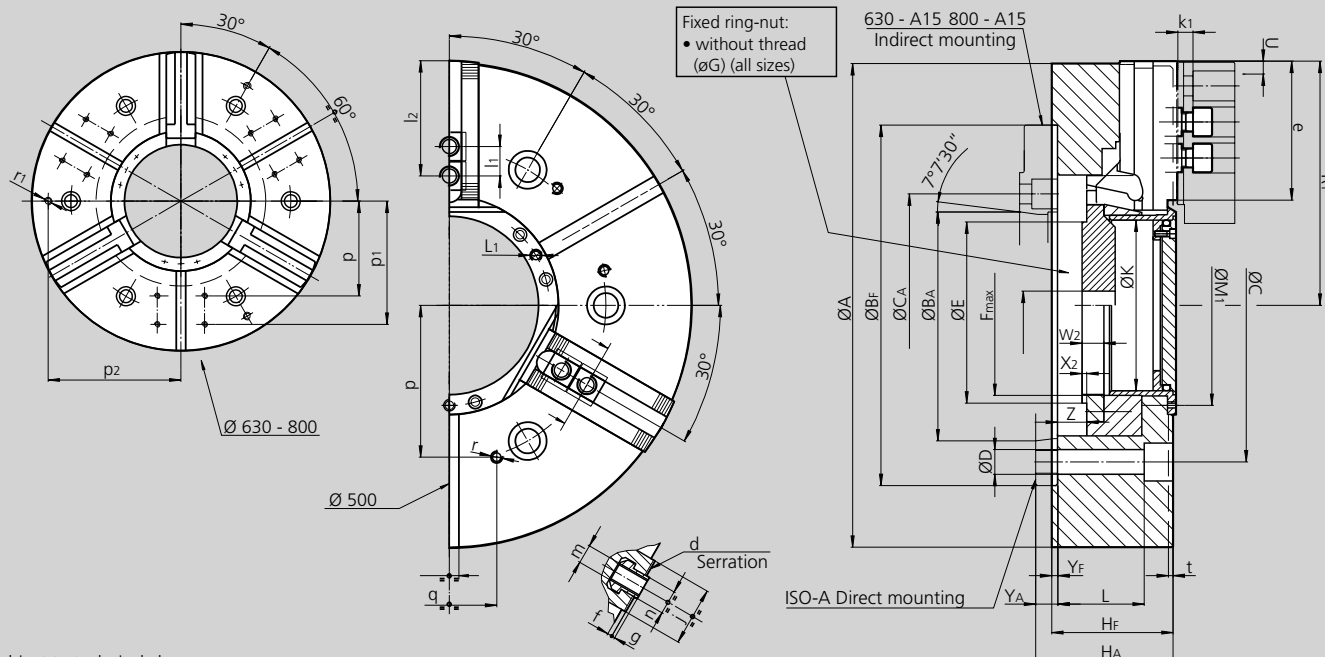
SMW-AUTOBLOK
321

High precision power chuck Ø 500 - 800 mm

BH-D

Big diameters
INCH
SERRATION

- Large through-hole
- 3 jaws



Subject to technical changes.
For more detailed information please ask our customer service.

SMW-AUTOBLOK Type			BH-D 500		BH-D 630			BH-D 800		
Mounting			Z380	A15	Z520	A15	A20	Z520	A15	A20
	A	mm	510		630		800			
	Bf/BA H6	mm	380	285.775	520	285.775	412.775	520	285.775	412.775
	C	mm	330.2		463.6	-	463.6	463.6	-	463.6
	CA	mm	-	-	-	330.2	-	-	330.2	-
	D	mm	26		26		26			
	E	mm	206		260		260			
	Fmax	mm	M190 x 3 (*)		M250 x 3 (*)			M250 x 3 (*)		
	G	mm	30		30		30			
	Hf/HA	mm	128	145	150	184	169	150	184	169
	K	mm	180		230		230			
	L	mm	91		99		99			
	L1	mm	M8 / 9		M8 / 16		M8 / 16			
	M1	mm	211		270		270			
Chuck open	R1	mm	257.5		314		399			
Jaw stroke	U	mm	6.5		9		9			
	W2	mm	23		23		23			
	X2	mm	5		5		5			
	Yf/YA	mm	6	23	6	40	25	6	40	25
Max. / min.	Z	mm	31 / 0		34 / 0		34 / 0			
BH-D serration	d	inch	3/32" x 90°		3/32" x 90°		3/32" x 90°			
	e	mm	146.5		152		237			
	f	mm	5		10		10			
	g	mm	3.5		3.5		3.5			
	j	mm	62		62		62			
	k1	mm	16		16		16			
	l1	mm	38		38		38			
Max. / min.	l2	mm	121 / 53		127 / 53		212 / 53			
	m	mm	M20		M20		M20			
	n h8	mm	25.5		25.5		25.5			
	p	mm	160		200		200			
	p1	mm	-		260		260			
	p2	mm	-		280		280			
	q	mm	100		100		100			
	r	mm	M12 / 22		M12 / 22		M12 / 22			
	r1	mm	-		M16 / 28		M16 / 28			
	s H12	mm	20		20		20			
	t	mm	5		5		5			

* Max. possible thread on blank ring-nut.

BHD-FC

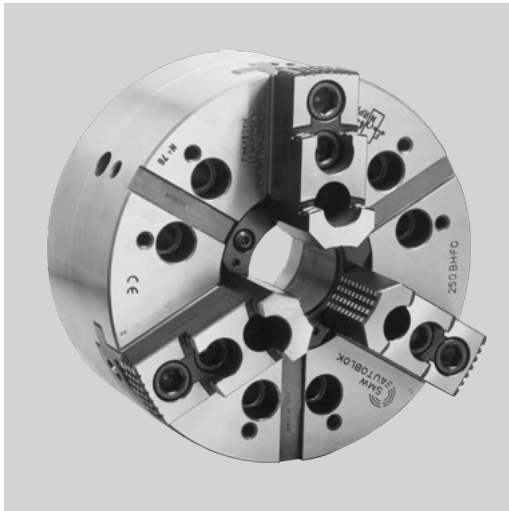
BHM-FC

High precision power chuck Ø 165 - 630 mm

INCH
SERRATION

METRIC
SERRATION

- Centrifugal force compensation
- Large through-hole
- 3 jaws



Application/customer benefits

- For open center or partial open center clamping
- Large through-hole
- Compensation of centrifugal force for high speed
- Clamping of easily deformed parts with low gripping force, maintained to high speed

BHD-FC: Master jaws with INCH SERRATION (1/16" x 90°, 3/32" x 90°)

BHM-FC: Master jaws with METRIC SERRATION (1.5 mm x 60°) (Ø 165 to 400 mm) (suitable for Japanese jaws)

Technical features

- Gripping force transmission via wedge hook
- Centrifugal force compensation by means of counter balance weights for minimum loss of gripping force at high speed
- Case hardened body (up to Ø 315) to assure greatest precision and long chuck life

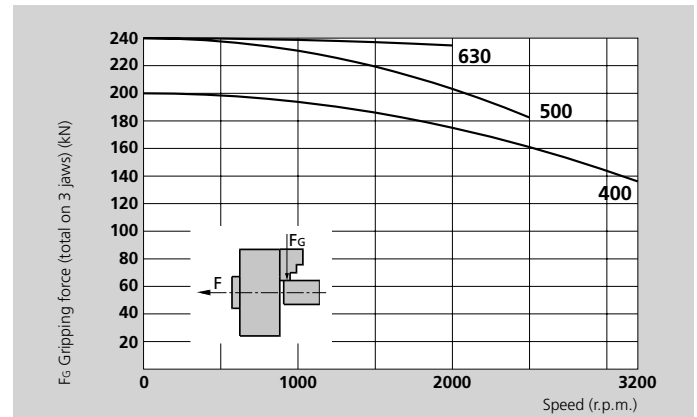
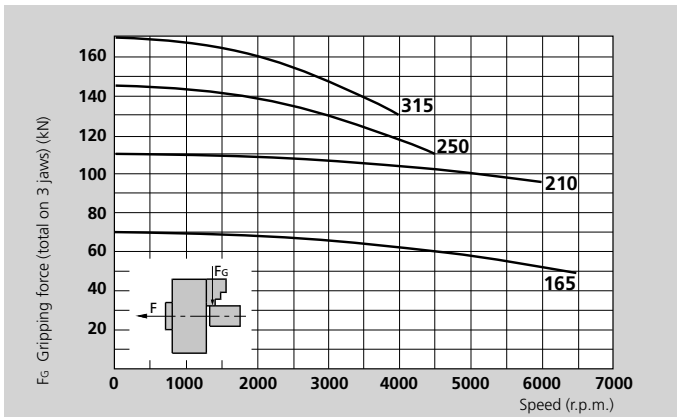
Standard equipment

- 3-jaw chuck
- 1 set T-nuts with bolts
- 1 set soft top jaws
- Mounting bolts

Ordering example

- 3-jaw chuck BHD-FC 210 / A6
- or
- 3-jaw chuck BHM-FC 250 / Z220

Actual gripping force diagrams



The data in the diagrams refer to 3-jaw chucks, newly maintained according to their service manuals using SMW-AUTOBLOK K05 grease. The static and dynamic gripping forces have been measured using standard soft top jaws, placed in a position not exceeding the outer diameter of the chuck.

⚠ Safety advice / danger of damage:

When using taller / heavier jaws and / or clamping on a bigger diameter reduce draw pull / rotating speed accordingly.

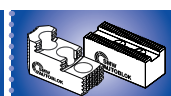
Technical data

SMW-AUTOBLOK Type		BHD-FC 165 BHM-FC 165	BHD-FC 210 BHM-FC 210	BHD-FC 250 BHM-FC 250	BHD-FC 315 BHM-FC 315	BHD-FC 400 BHM-FC 400	BHD-FC 500 -	BHD-FC 630 -
Number of jaws		3	3	3	3	3	3	3
Through-hole	mm	45	52	66	95	118	125	165
Radial jaw stroke	mm	3.2	4	5	5	6.5	9	9
Axial piston stroke	mm	15	19	24	24	31	34	34
Max. draw pull*	kN	25	38	50	60	70	100	100
Max. gripping force*	kN	70	110	145	170	200	240	240
Max. speed	r.p.m.	6500	6000	4500	4000	3200	2500	2000
Weight (without top jaws)	kg	11	21	32	50	95	160	335
Moment of inertia	kg·m ²	0.042	0.13	0.29	0.67	2	5.2	18
Recommended actuating cylinders	SIN-S	100	100 / 125	125 / 150	125 / 150	150 / 175	150 / 175 / 200	175 / 200
	VNK-T2 / VSG	102-46	130-52	150-67	225-95	320-127	320-127	450 / 165

* For internal clamping reduce the draw pull by 30%.



SMW-AUTOBLOK
460



SMW-AUTOBLOK
462



SMW-AUTOBLOK
321

High precision power chuck Ø 165 - 630 mm

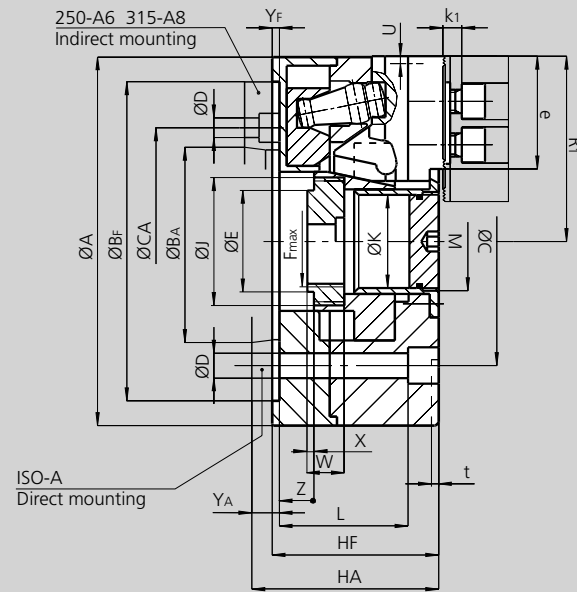
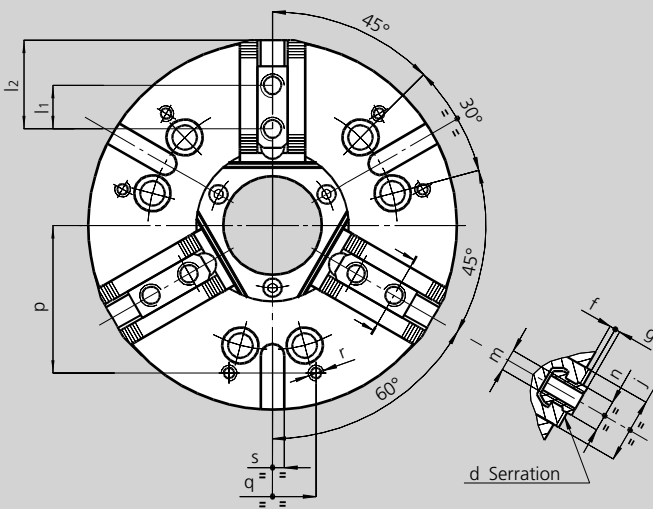
- Centrifugal force compensation
- Large through-hole
- 3 jaws

BHD-FC

INCH
SERRATION

BHM-FC

METRIC
SERRATION

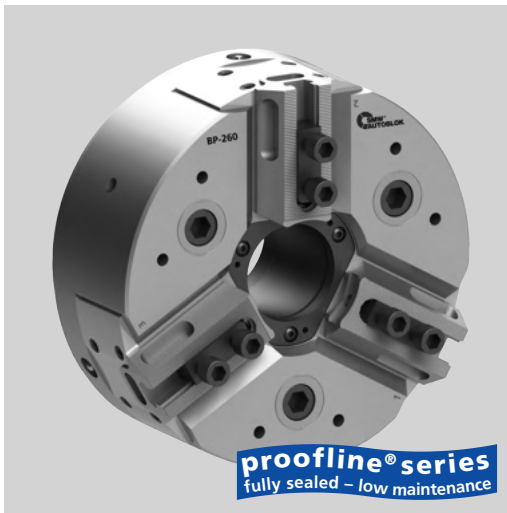


Subject to technical changes.
For more detailed information please ask our customer service.

SMW-AUTOBLOK Type		BHD-FC 165 BHM-FC 165		BHD-FC 210 BHM-FC 210		BHD-FC 250 BHM-FC 250			BHD-FC 315 BHM-FC 315			BHD-FC 400 BHM-FC 400		BHD-FC 500 -		BHD-FC 630 -	
Mounting		Z140	A5	Z170	A6	Z220	A6	A8	Z300	A8	A11	Z300	A11	Z380	A15	Z380	A15
	A	mm 168		210		250			315			390		510		630	
	Bf/BA H6	mm 140	82.563	170	106.375	220	106.375	139.719	300	139.719	196.869	300	196.869	380	285.775	380	285.775
	C	mm 104.8		133.4		171.4	-	171.4	235	-	235	235		330.2		330.2	
	CA	mm -		-		-	133.4	-	-	171.4	-	-		-		-	
	D	mm 11.5		13.5		17	13.5	17	21	17	21	21		25		25	
	E	mm 58		67		78			111			140		148		198	
	F/Fmax	mm M52 x 1.5		M60 x 1.5		M72 x 1.5			M105 x 2			M130 x 2		M135 x 2		M175 x 2	
	J	mm M60 x 1.5		M72 x 1.5		M88 x 1.5			M120 x 2			M145 x 2		M160 x 2		M195 x 2	
	Hf/HA	mm 90	100	100	112	115	134	129	120	145	136	143	158	160	177	160	177
	K	mm 45		52		66			95			118		125		165	
	L	mm 72		83		89			72			115		129		129	
	M	mm M47 x 1.5		M54 x 1.5		M68 x 2			M98 x 2			M120 x 2		-		-	
Chuck open	R1	mm 84		105.5		127.5			158			195		255		315	
Jaw stroke	U	mm 3.2		4		5			5			6.5		9		9	
	W	mm 23		24		26			28			46		25		30	
	X	mm 5		4		6			6			17		3		5	
	Yf/YA	mm 5	15	5	17	5	24	19	5	30	21	6	21	6	23	6	23
Max. / min.	Z	mm 15 / 0		19 / 0		24 / 0			24 / 0			31 / 0		37 / 3		37 / 3	
BHD-FC ser.	d	inch 1/16" x 90°		1/16" x 90°		1/16" x 90°			1/16" x 90°			3/32" x 90°		3/32" x 90°		3/32" x 90°	
BHM-FC ser.	d	mm 1.5 x 60°		1.5 x 60°		1.5 x 60°			1.5 x 60°			1.5 x 60°		-		-	
	e	mm 49.5		66		77.5			93			116.5		152		192	
	f	mm 5		4		4			4			5		10		10	
	g	mm 2.5		2.5		3.5			3.5			3.5		3.5		3.5	
	j	mm 30		36		45			45			62		62		62	
	k1	mm 10		11		12			12			14		16		16	
BHD-FC	l1	mm 16.5		23		30			30			34		38		38	
BHM-FC	l1	mm 20		25		30			30			34		-		-	
Max. / min.	l2	mm 41 / 23		56 / 33		62 / 43			78 / 43			90 / 49		129 / 53		167 / 53	
BHD-FC	m	mm M10		M12		M16			M16			M20		M20		M20	
BHM-FC	m	mm M10		M12		M12			M16			M20		-		-	
BHD-FC	n h8	mm 14		17		21			21			25.5		25.5		25.5	
BHM-FC	n h8	mm 12		14		16			21			22		-		-	
	p	mm 65		80		102			125			150		160		200	
	q	mm 36		45		60			100			80		100		100	
	r	mm M8		M8		M10			M10			M12		M12		M12	
	s H9	mm 16		16		16			20			20		20		20	
	t	mm 4.5		5		5			5			5		5		5	

BP-DINCH
SERRATION**BP-M**METRIC
SERRATION**High precision power chuck Ø 220 - 320 mm**

- Large through-hole
- 3 jaws
- proofline® chucks = fully sealed - low maintenance

**Application/customer benefits**

- General use on standard lathes due to the through-hole, but with advantage of minimum maintenance and use also in extreme environments
- Longer life at high precision due to less wear
- Fully sealed, ideal for dry machining of castings and forgings or if high pressure coolant is used

BP-D: Master jaws with INCH SERRATION (1/16" x 90°)**BP-M:** Master jaws with METRIC SERRATION (1.5 mm x 60°)
(suitable for Japanese jaws)**Technical features**

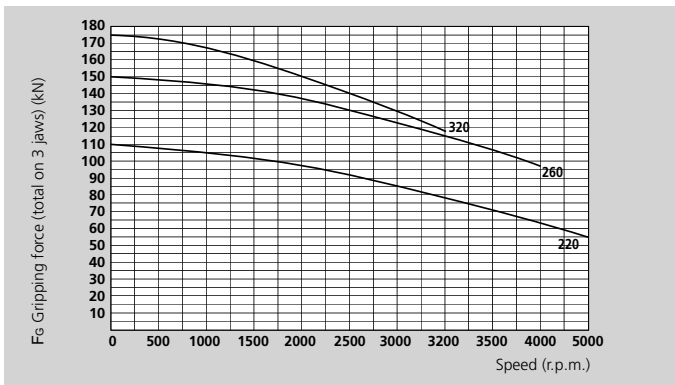
- Constant gripping force with permanent grease lubrication
- Large through-hole compatible with the standard machines
- Chuck body and internal parts case hardened
- **Proofline® chucks** = fully sealed - low maintenance

Standard equipment

3-jaw chuck
1 set T-nuts and bolts
1 set soft top jaws
Mounting bolts

Ordering example

3-jaw chuck BP-D 220 / Z170
or
3-jaw chuck BP-M 220 / A6

Actual gripping force diagram

The data in the diagram refers to 3-jaw chucks, newly maintained according to their service manuals using SMW-AUTOBLOK K67 grease. The static and dynamic gripping forces have been measured using standard soft top jaws, placed in a position not exceeding the outer diameter of the chuck.

△ Safety advice / danger of damage:

When using taller / heavier jaws and / or clamping on a bigger diameter reduce draw pull / rotating speed accordingly.

Technical data

SMW-AUTOBLOK Type		BP-D 220 BP-M 220	BP-D 260 BP-M 260	BP-D 320 BP-M 320
Number of jaws		3	3	3
Through-hole	mm	52	66	95
Radial jaw stroke	mm	4	5	5
Axial piston stroke	mm	16	19	19
Max. actuating force*	kN	44	60	68
Max. gripping force*	kN	110	150	175
Max. speed	r.p.m.	5000	4000	3200
Weight (without top jaws)	kg	23	36	60
Moment of inertia	kg-m ²	0.14	0.34	0.85
Recommended actuating cylinders		SIN-S 100 / 125 VNK-T2 130-52	SIN-S 125 / 150 VNK-T2 150-67	SIN-S 125 / 150 VNK-T2 225-95

* For internal clamping reduce the draw pull by 30%.

SMW-AUTOBLOK
460SMW-AUTOBLOK
462SMW-AUTOBLOK
321

High precision power chuck Ø 220 - 320 mm

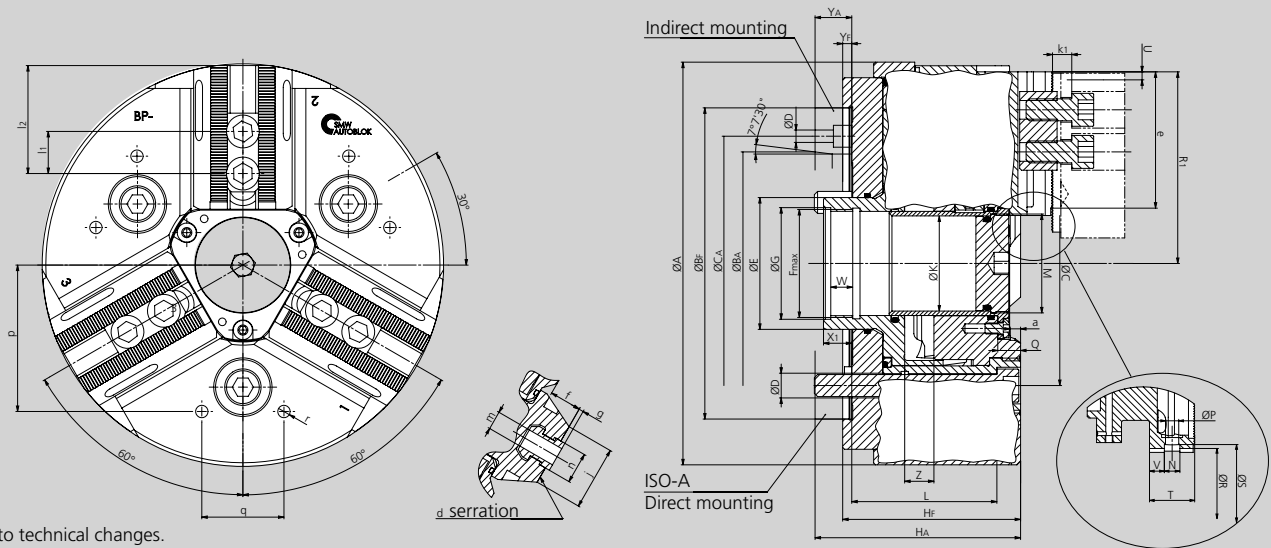
BP-D

BP-M

- Large through-hole
- 3 jaws
- proofline® chucks = fully sealed - low maintenance

INCH
SERRATION

METRIC
SERRATION



Subject to technical changes.
For more detailed information please ask our customer service.

2

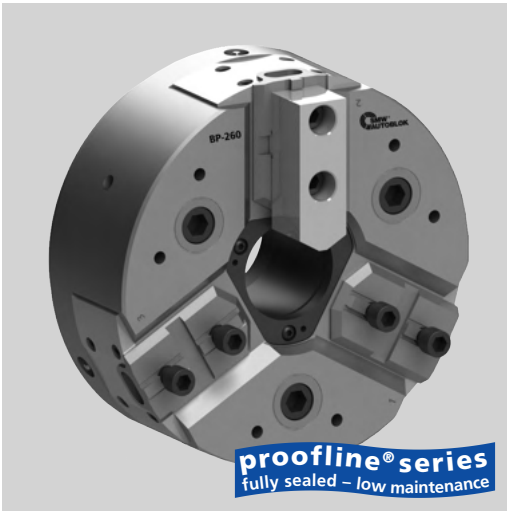
SMW-AUTOBLOK Type			BP-D 220 BP-M 220		BP-D 260 BP-M 260			BP-D 320 BP-M 320		
Mounting			Z170	A6	Z220	A6	A8	Z300	A8	A11
	A	mm	220		262			320		
	BF/BA H6	mm	170	106.375	220	106.375	139.719	300	139.719	196.869
	C	mm	133.4		171.4			235		
	CA	mm	-	-	-	133.4	-	-	171.4	-
	D	mm	13.5		17	13.5	17	21		
	E	mm	72		88			115		
	Fmax	mm	M60 x 1.5		M75 x 2			M102 x 2		
	G	mm	61		76			102.5		
	HF/HA	mm	97.5	109.5	114	149	128	114	149	130
	K	mm	52		66			95		
	L	mm	79.5		92			88		
	M	mm	M54 x 1.5		M68 x 2			M98 x 2		
	N H8	mm	8		10			10		
	P	mm	6.5		8.5			8.5		
	Q	mm	12.5		16.5			16.5		
	R H7	mm	59		76			108		
Chuck open	R1	mm	109		131			159		
	S	mm	63		81			113		
	T	mm	23.5		22			29		
Jaw stroke	U	mm	4.3		5			5		
	V	mm	7.75		6			9.5		
	W	mm	12		14			16.5		
	X1	mm	15.5		22			21		
	Yf/YA	mm	5	17	5	40	19	5	40	21
Max. / min.	Z	mm	16 / 0		19 / 0			19 / 0		
	a	mm	5.7		9.7			9.7		
BP-D Serration	d	inch	1/16" x 90°		1/16" x 90°			1/16" x 90°		
BP-M Serration	d	mm	1.5 x 60°		1.5 x 60°			1.5 x 60°		
	e	mm	74.5		89			100.5		
	f	mm	17.5		12			19		
	g	mm	2.5		2.5			3.5		
	j	mm	34		35.22			35		
	k1	mm	10.5		12			12		
BP-D/BP-M	l1	mm	23 / 25		30			30		
Max. / min.	l2	mm	55.5 / 33		67 / 43			78 / 43		
BP-D/ BP-M	m	mm	M12		M12			M16		
BP-D	n h8	mm	17		17			21		
BP-M	n h8	mm	14		16			21		
	p	mm	80		102			100		
	q	mm	45		60			60		
	r	mm	M8		M10			M10		

BP-C

TONGUE & GROOVE

High precision power chuck Ø 220 - 320 mm

- Large through-hole
- 3 jaws
- proofline® chucks = fully sealed - low maintenance



Application/customer benefits

- General use on standard lathes due to the through-hole, but with advantage of minimum maintenance and use also in extreme environments
- Longer life at high precision due to less wear
- Fully sealed, ideal for dry machining of castings and forgings or if high pressure coolant is used

BP-C: TONGUE & GROOVE master jaws (American Standard)

Technical features

- Constant gripping force with permanent grease lubrication
- Large through-hole compatible with the standard machines
- 3-jaw version available in all diameters
- Proofline chucks = fully sealed - low maintenance

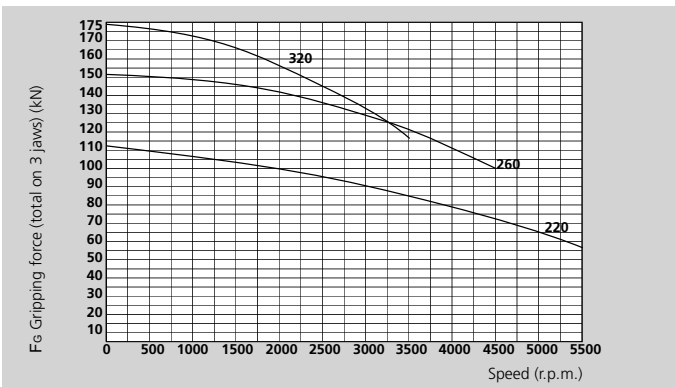
Standard equipment

3-jaw chuck
Mounting bolts

Ordering example

3-jaw chuck BP-C 220 / Z170

Actual gripping force diagram



The data in the diagram refers to 3-jaw chucks, newly maintained according to their service manuals using SMW-AUTOBLOK K67 grease. The static and dynamic gripping forces have been measured using standard soft top jaws, placed in a position not exceeding the outer diameter of the chuck.

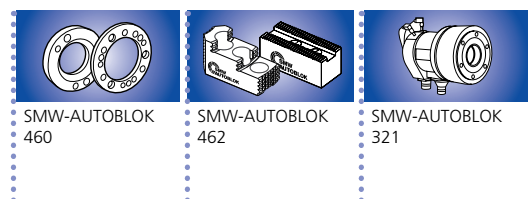
⚠ Safety advice / danger of damage:

When using taller / heavier jaws and / or clamping on a bigger diameter reduce draw pull / rotating speed accordingly.

Technical data

SMW-AUTOBLOK Type		BP-C 220	BP-C 260	BP-C 320
Number of jaws		3	3	3
Through-hole	mm	52	66	95
Radial jaw stroke	mm	4	5	5
Axial piston stroke	mm	16	19	19
Max. actuation force*	kN	44	60	68
Max. gripping force*	kN	110	150	175
Max. speed	r.p.m.	5500	4500	3500
Weight (without top jaws)	kg	22	35	59
Moment of inertia	kg·m ²	0.14	0.34	0.85
Recommended actuating cylinders		SIN-S 100 / 125 VNK-T2 130-52	SIN-S 125 / 150 VNK-T2 150-67	SIN-S 125 / 150 VNK-T2 225-95

* For internal clamping reduce the draw pull by 30%.

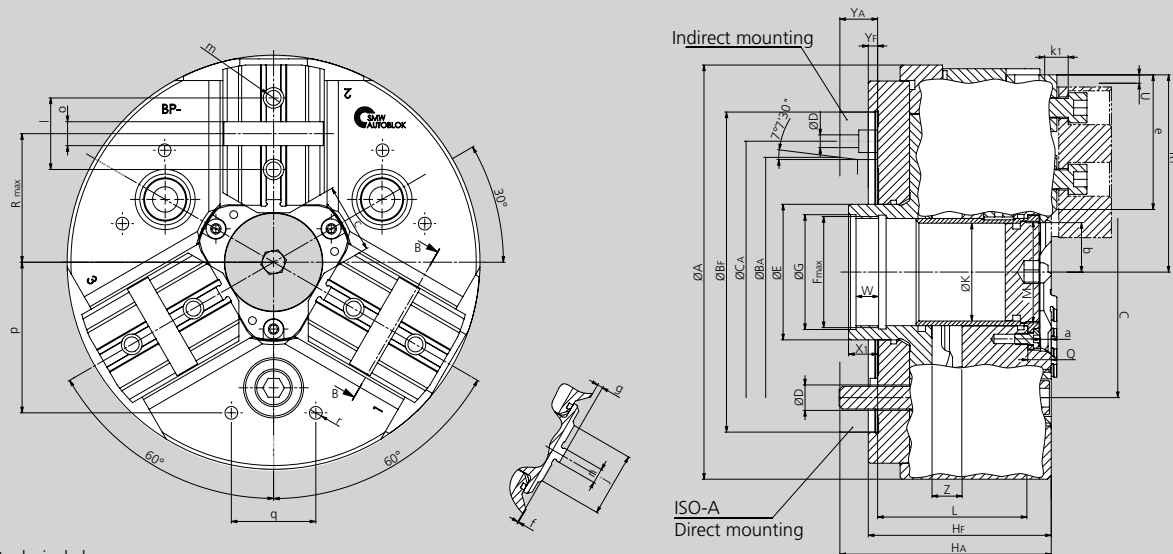


High precision power chuck Ø 220 - 320 mm

BP-C

- Large through-hole
- 3 jaws
- proofline® chucks = fully sealed - low maintenance

TONGUE & GROOVE



Subject to technical changes.
For more detailed information please ask our customer service.

SMW-AUTOBLOK Type			BP-C 220		BP-C 260			BP-C 320		
Mounting			Z170	A6	Z220	A6	A8	Z300	A8	A11
	A	mm	220		262			320		
	BF/BA	H6 mm	170	106.375	220	106.375	139.719	300	139.719	196.869
	C	mm	133.4		171.4			235		
	CA	mm	-	-	-	133.4	-	-	171.4	-
	D	mm	13.5		17	13.5	17	21		
	E	mm	72		88			115		
	Fmax	mm	M60 x 1.5		M75 x 2			M102 x 2		
	G	mm	61		76			102.5		
	HF/HA	mm	97.5	109.5	114	149	128	114	149	130
	K	mm	52		66			95		
	L	mm	79.5		92			88		
	M	mm	M54 x 1.5		M68 x 2			M98 x 2		
	Q	mm	12.5		16.5			16.5		
Chuck open	R1	mm	109		131			159		
Max.	R	mm	72.5		89			115		
Jaw stroke	U	mm	4.3		5			5		
	W	mm	12		14			16.5		
	X1	mm	15.5		22			25		
	YF/YA	mm	5	17	5	40	19	5	40	21
Max. / min.	Z	mm	16 / 0		19 / 0			19 / 0		
	a	mm	5.7		9.7			9.7		
Min.	b	mm	26.5		36			48		
Min.	c	mm	37		52			70		
	e	mm	74.5		82			98		
	f	mm	0		3			4		
	g	mm	3		0			-1		
	j	mm	34		46			58		
	k1	mm	9		13.5			15.5		
	l	mm	38		44.4			54		
	m	mm	M10		M12			M16		
	n	h7 mm	7.94		7.94			12.7		
	o	H7 mm	12.68		12.68			19.03		
	p	mm	80		102			100		
	q	mm	45		60			60		
	r	mm	M8		M10			M10		

BB-D

INCH
SERRATION

BB-M

METRIC
SERRATION

High precision power chuck Ø 140 - 315 mm

- EXTRA large through-hole
- 3 jaws



Application/customer benefits

- For open center or partial open center clamping
- For machines with very large spindle bore

BB-D: Master jaws with INCH SERRATION (1/16" x 90°)

BB-M: Master jaws with METRIC SERRATION (1.5 mm x 60°)
(Suitable for Japanese chucks top jaws)

Technical features

- EXTRA large through-hole
- Gripping force transmission via wedge hook
- Case hardened body to assure greatest precision and long chuck life

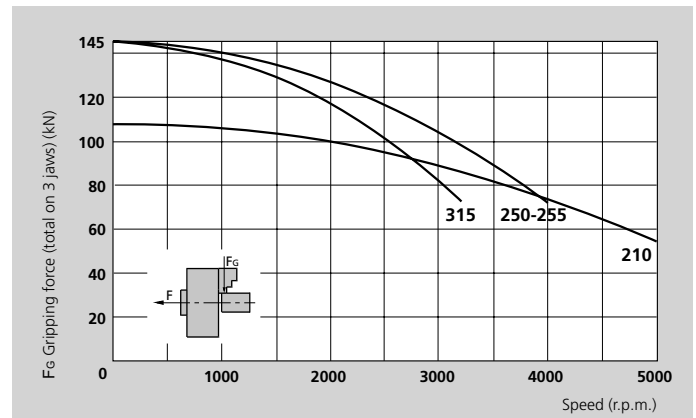
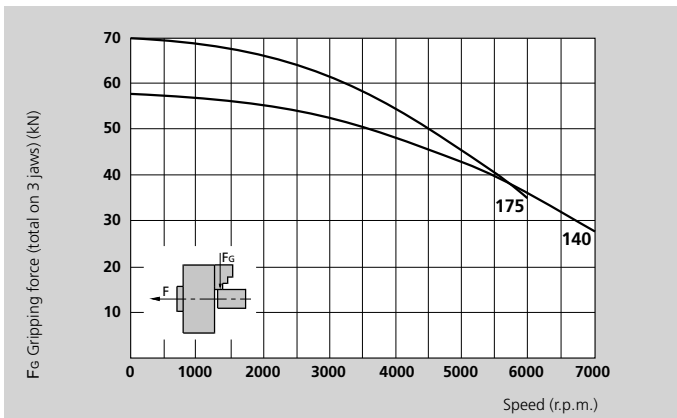
Standard equipment

- 3-jaw chuck
- 1 set T-nuts with bolts
- 1 set soft top jaws
- Mounting bolts

Ordering example

- 3-jaw chuck BB-D 175 / A6
- or
- 3-jaw chuck BB-M 250 / Z220

Actual gripping force diagrams



The data in the diagrams refer to 3-jaw chucks, newly maintained according to their service manuals using SMW-AUTOBLOK K05 grease. The static and dynamic gripping forces have been measured using standard soft top jaws, placed in a position not exceeding the outer diameter of the chuck.

⚠ Safety advice / danger of damage:

When using taller / heavier jaws and / or clamping on a bigger diameter reduce draw pull / rotating speed accordingly.

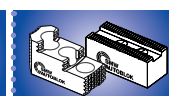
Technical data

SMW-AUTOBLOK Type		BB-D 140 BB-M 140	BB-D 175 BB-M 175	BB-D 210 BB-M 210	BB-D 250 BB-M 250	BB-D 255 BB-M 255	BB-D 315 BB-M 315
Number of jaws		3	3	3	3	3	3
Through-hole	mm	39	56	66	78	82	122
Radial jaw stroke	mm	3.2	3.2	4	5	5	5
Axial piston stroke	mm	15	15	19	24	24	24
Max. draw pull*	kN	22	25	38	50	50	50
Max. gripping force*	kN	58	70	108	145	145	145
Max. speed	r.p.m.	7000	6000	5000	4000	4000	3200
Weight (without top jaws)	kg	6	11.5	19.5	30	33	44
Moment of inertia	kg·m ²	0.016	0.05	0.12	0.27	0.32	0.62
Recommended actuating cylinders		SIN-S 85 / 100 VNK-T2 70-37	SIN-S 100 VNK-T2 130-52	SIN-S 100 / 125 VNK-T2 150-67	SIN-S 125 / 150 VNK-T2 170-77	SIN-S 125 / 150 VNK-T2 176-82	SIN-S 125 / 150 VNK-T2 320-127

* For internal clamping reduce the draw pull by 30%.



SMW-AUTOBLOK
460



SMW-AUTOBLOK
462



SMW-AUTOBLOK
321

High precision power chuck Ø 140 - 315 mm

BB-D

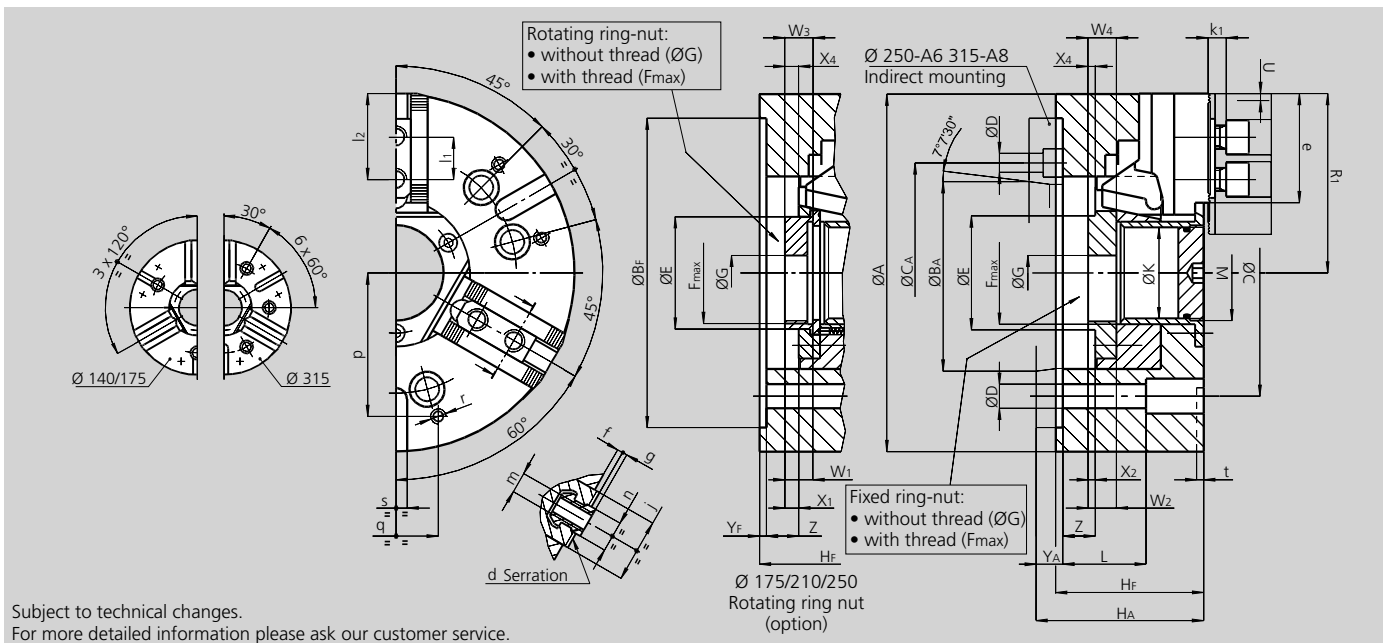
BB-M

- EXTRA large through-hole
- 3 jaws

INCH
SERRATION

METRIC
SERRATION

2



Subject to technical changes.
For more detailed information please ask our customer service.

SMW-AUTOBLOK Type			BB-D 140 BB-M 140		BB-D 175 BB-M 175		BB-D 210 BB-M 210		BB-D 250 BB-M 250			BB-D 255 BB-M 255			BB-D 315 BB-M 315		
Mounting			Z130	A5	Z160	A6	Z170	A6	Z220	A6	A8	Z220	A6	A8	Z300	A8	A11
	A	mm	140		175		210		254			255			315		
	BF/BA H6	mm	130	82.563	160	106.375	170	106.375	220	106.375	139.719	220	106.375	139.719	300	139.719	196.869
	C	mm	104.8		133.4		133.4		171.4			171.4			235		
	CA	mm	-	-	-	-	-	-	133.4			-	-	171.4			
	D	mm	11.5		13.5		13.5		13.5			17			17		
	E	mm	53		71		78		92			95			143		
	Fmax	mm	M45 x 1.5		M62 x 1.5		M72 x 1.5		M85 x 2			M90 x 2			M135 x 2		
	G	mm	16		20		20		25			20			70		
	HF/HA	mm	67	77	82	94	92	104	105	124	119	105	124	119	118	143	134
	K	mm	39		56		66		78			82			122		
	L	mm	46		54		66		79			79			72		
	M	mm	M42 x 1.5		M58 x 1.5		M68 x 2		M80 x 2			M84 x 2			M125 x 2		
Chuck open	R1	mm	70		89		106		128			130.5			157.5		
Jaw stroke	U	mm	3.2		3.2		4		5			5			5		
	(1) W1/W2	mm	- / 14		18 / 16		20 / 18		20 / 20			20 / 20			- / 23		
	(2) W3/W4	mm	- / 14		28 / 35		30 / 35		33 / 38			33 / 38			- / 23		
BB-D	X1/X2	mm	- / 6		11 / 5		12 / 5		11 / 6			9 / 4			- / 5		
BB-M	X1/X2 (X4)	mm	- / 6 (6)		11 / 5 (22)		12 / 5 (22)		11 / 11 (23)			9 / 4 (23)			- / 5 (5)		
	YF/YA	mm	5	15	5	17	5	17	5	24	19	5	24	19	5	30	21
Max. / min.	Z	mm	15 / 0		15 / 0		19 / 0		24 / 0			24 / 0			24 / 0		
BB-D serration	d	inch	1/16" x 90°		1/16" x 90°		1/16" x 90°		1/16" x 90°			1/16" x 90°			1/16" x 90°		
BB-M serration	d	mm	1.5 x 60°		1.5 x 60°		1.5 x 60°		1.5 x 60°			1.5 x 60°			1.5 x 60°		
	e	mm	39		49.5		59		73			72.5			77.5		
	f	mm	2		3		3		4			4			4		
	g	mm	2.5		2.5		2.5		3.5			3.5			3.5		
	j	mm	30		33		38		45			45			45		
	k1	mm	10		10		11		12			12			12		
BB-D	l1	mm	16		16.5		23		30			30			30		
BB-M	l1	mm	16		20		25		30			30			30		
Max. / min.	l2	mm	32 / 23		41 / 24		49 / 33		57 / 43			57 / 43			62 / 43		
BB-D	m	mm	M8		M10		M12		M16			M16			M16		
BB-D	n h8	mm	12		14		17		21			21			21		
BB-M	m	mm	M8		M10		M12		M12			M12			M16		
BB-M	n h8	mm	12		12		14		16			16			21		
	p	mm	52		65		80		102			102			100		
	q	mm	30		36		45		60			60			60		
	r	mm	M6		M8		M8		M10			M10			M10		
	s H12	mm	12		16		16		16			16			20		
	t	mm	5		5		5		5			5			5		

(1) Rotating ring-nut with thread
Fixed ring-nut with thread

W₁=BBD-BBM
W₂=BBD-BBM

(2) Blank rotating ring-nut without thread
Fixed ring-nut blank without thread

W₃ = BBD-BBM
W₄ = BBD-BBM

Technology at the highest level: The SMW-AUTOBLOK HFKN

Easy lubrication
even on vertical machines
with 3 radial built-in
grease fittings

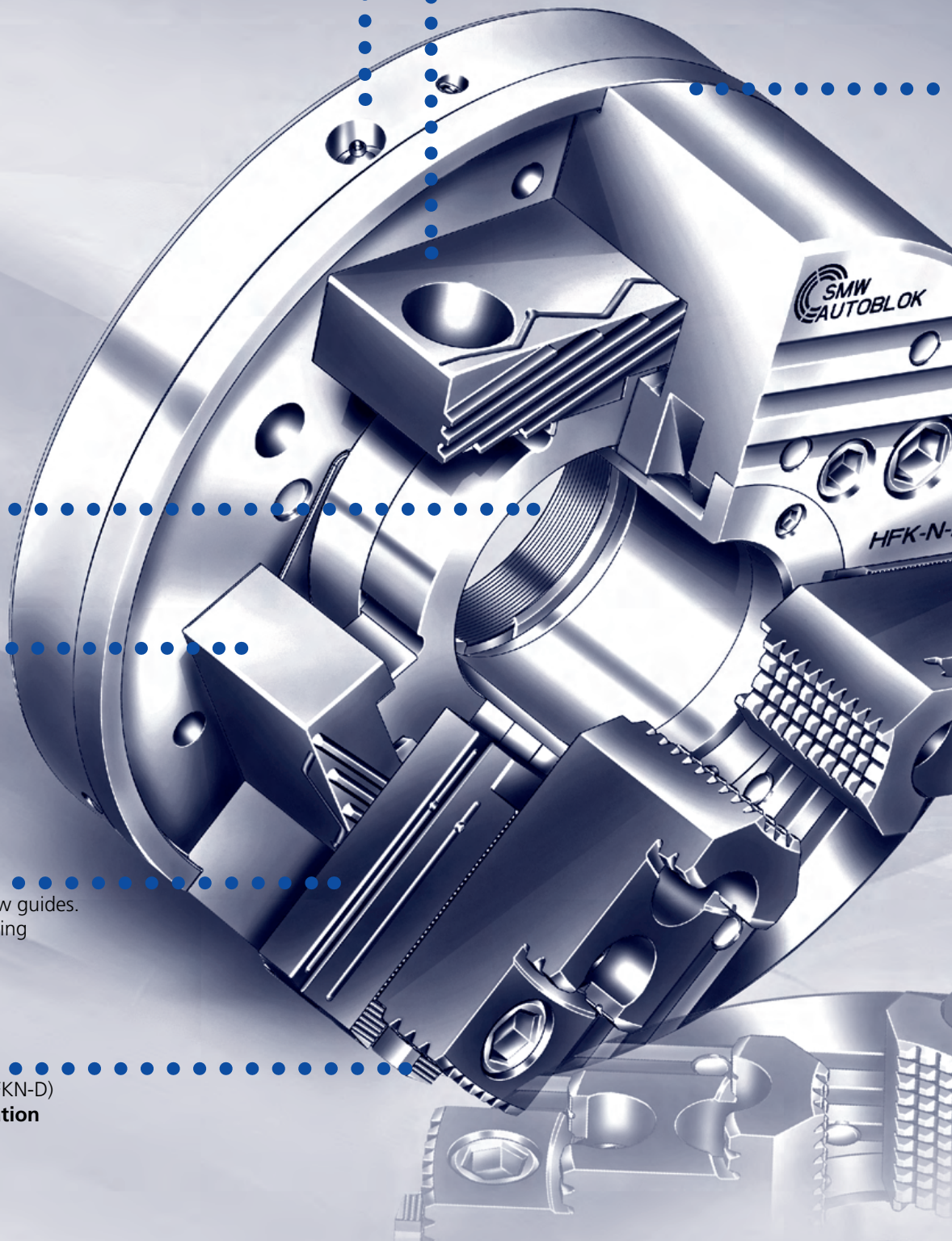
- **Wedge bar drive,**
- minimum loss in gripping force
- even at high speeds because of
- tangentially supported wedge bars.
- Minimum increase of gripping force
- (**hysteresis**) after quick spindle stop

Large through-hole
for full use of
spindle bore

High **efficiency** of
the wedge bar drive
ensures highest
concentricity and
repeatability

Extra long, symmetrical jaw guides.
Ideal for O.D. or I.D. gripping

Master jaws with **inch** (HFKN-D)
or **metric** (HFKN-M) **serration**

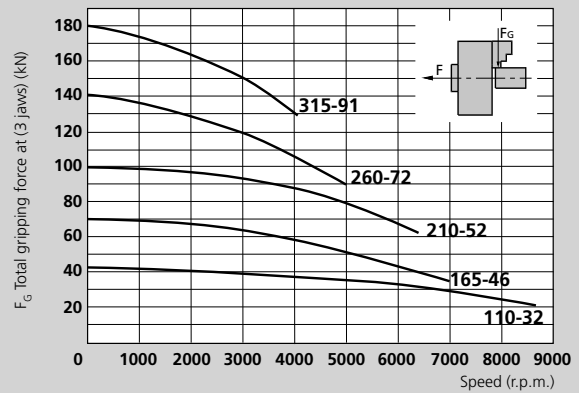


wedge bar drive

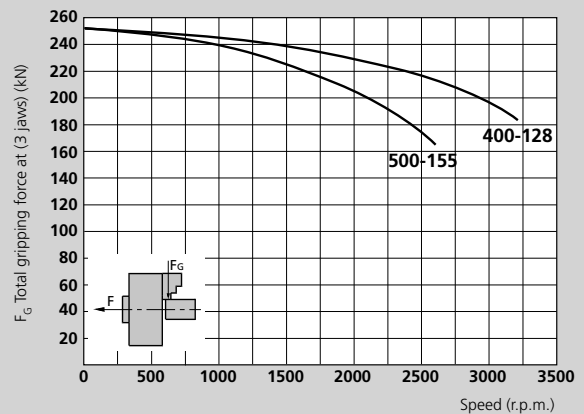
Chuck body and internal parts are **case hardened and polished** for highest rigidity, durability and precision



Flat gripping force curve for high speeds



The data in the diagrams refer to 3 jaw chucks, newly maintained according to their service manuals using SMW-AUTOBLOK K05 grease. The static and dynamic gripping forces have been measured using standard soft top jaws, placed in a position not exceeding the outer diameter of the chuck.



△ Safety advice / danger of damage:

When using taller / heavier jaws and / or clamping on a bigger diameter reduce draw pull / rotating speed accordingly.

Clamping glossary

Case hardening: The surface of the components is hardened (60 HRC) to a depth of about 1 mm (0.04"). The core shows a high tensile strength and toughness. Compared to partial inductive hardened and nitrided parts the rigidity and the resistance against wear is greatly increased.

Hysteresis: At high speeds the chuck body "grows" due to centrifugal force. The draw pull of the clamping cylinder causes an increase in gripping force which cannot be decreased at a quick spindle stop (or change in speed). This can cause deformation at easily deformed parts. SMW-AUTOBLOK chucks with wedge bar drive have a very low hysteresis.

Wedge bar drive: The chuck is driven by tangentially mounted wedge bars. This design allows highest repeatability and rigidity. These chucks have very low loss in gripping force due to centrifugal force. The design does not require counterbalance weights which allows highest speeds without vibration.

INCH SERRATION: The connection between top jaws and master jaws is done through serration, T-nuts and bolts according to DIN 6353 (serration 90°, pitch in inches). This is standard on European chucks. HFKN chucks can be supplied either with inch serration or metric serration.

METRIC SERRATION: The connection between top jaws and master jaws is done through serration, T-nuts and bolts according to ISO 9401 (serration 60°, pitch in mm). This is standard on Japanese chucks.

Efficiency: Efficiency is the ratio between the calculated theoretical gripping force (disregarding friction) and the actual (measured) gripping force.

HFKN-C

HFKN-D

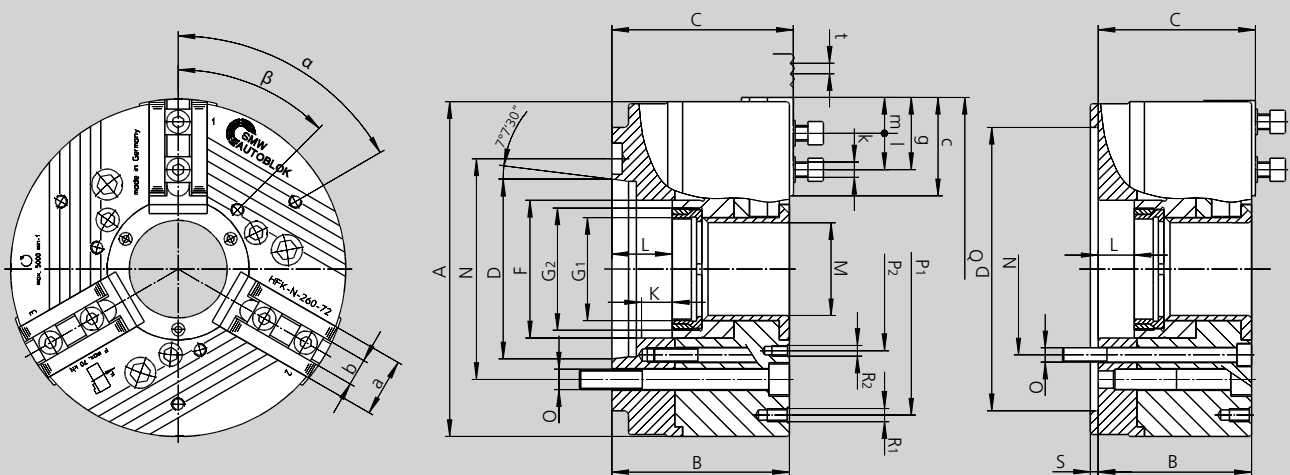
HFKN-M

TONGUE & GROOVE

INCH
SERRATION

METRIC
SERRATION

Main dimensions and technical data



Subject to technical changes.
For more detailed information please ask our customer service.

Type HFKN-D	110-32	165-46			210-52			260-72				315-91				400-128				500-155						
Type HFKN-M	-	165-46			210-52			260-72				315-91				400-128				500-155						
Type HFKN-C	110-32	-			-			-				-				-				-						
Mounting	Z100	A4	Z140	A5	A6	Z170	A6	A8	Z170	Z220	A6	A8	Z220	Z300	A8	A11	Z300	Z380	A11	A15	Z380	A11	A15			
A	115	165			215			260				315				400				500						
B	64	75	90	105	107	102	119	121	119	119	136	138	127	127	146	148	143	143	164	166	157	178	180			
C	68.1	77.5	92.5	107.5	109.5	105	122	124	122	122	139	141	130	130	149	151	148	148	169	171	162	183	185			
D H6	100	63.51	140	82.57	106.39	170	106.39	139.73	170	220	106.39	139.73	220	300	139.73	196.88	300	380	196.88	285.77	380	196.88	285.77			
F	46	67			85			107				134				180				207						
Threaded ring / depth	G1	*			M60 x 1.5 / 16			M80 x 2 / 20				M100 x 2 / 22				M138 x 2 / 22				M165 x 2 / 25						
Piston thread / depth	G2	M38 x 1.5 / 15			M60 x 1.5 / 18			M75 x 2 / 19				M95 x 2 / 23				M120 x 2 / 25				M160 x 2 / 25			M185 x 2 / 28			
Piston stroke	K	9			15			19				23				23				30				32		
Max.	L	10.5	21.5	15	30	32	19	36	38	23	23	40	42	23	23	42	44	32	32	53	55	33	54	56		
	M	32			46			52				72				91				128			155			
Fixing bolt circle	N	82.6	104.8	104.8	133.4	133.4	133.4	171.4	133.4	171.4	133.4	171.4	171.4	235	171.4	235	235	330.2	235	330.2	330.2	235	330.2			
Fixing bolt	O	M10	M10	M10	M12	M12	M12	M16	M12	M16	M12	M16	M16	M20	M16	M20	M20	M20	M24	M20	M24	M24	M20	M24		
	P1	100			120			168			210				268				330				430			
	P2	65			90			110			130				155				200				220			
	Q	118			167			219			264				319				408				508			
Thread / thread depth	R1	M6 / 12			M8 / 16			M10 / 20				M10 / 20				M10 / 20				M12 / 18				M16 / 25		
Thread / thread depth	R2	M6 / 12			M8 / 16			M10 / 20				M10 / 20				M10 / 20				M12 / 18				M12 / 18		
	S	6			6			6				6				6				8				8		
	a	20			32			40				45				50				60				60		
	b f7	8 (g6)			14			17				21				21				25.5				25.5		
	c	34			47.5			69				75				92.5				115				150		
	g	25			39			58.5				65.5				74				100				136		
Bolt ISO 4762 12.9	k	M6			M10			M12				M16				M16				M20				M20		
	l	12			16			22				28				30				35				35		
	m	2			5			6				8				8				10				10		
HFKN-D inch serration	t	1/16" 90°			1/16" 90°			1/16" 90°				1/16" 90°				1/16" 90°				3/32" 90°				3/32" 90°		
HFKN-M metric serration	t				1.5 x 60°			1.5 x 60°				1.5 x 60°				1.5 x 60°				3 x 60°				3 x 60°		
HFKN-C tongue & groove		S08 N08																								
	α	60°			40°			60°				60°				60°				60°				60°		
	β	60°			60°			60°				45°				45°				60°				60°		
Stroke per jaw	mm	2.4			4			5.0				6.1				6.1				8.0				8.0		
Max. actuating force	kN	20			35			53				70				95				125				125		
Max. total gripping force	kN	40			70			100				140				190				250				250		
Max. speed	r.p.m.	8500**			7000**			6300				5000				4400				3200				2600		
Weight (without jaws)	kg	4.4	4.7	14	15	15	24	26	26	40	40	43	43	63	63	66	66	111	111	116	116	225	231	231		
Moment of inertia	kg·m ²	0.007			0.06			0.11				0.38				0.85				2.5				6.5		

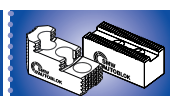
Rec. closed center cylinder	Type	SIN-S 85	SIN-S 100 / 125	SIN-S 125 / 150	SIN-S 150 / 175	SIN-S 150 / 175 / 200	SIN-S 175 / 200	SIN-S 175 / 200
Rec. open center cylinder	Type	VNK-T2 70-37	VNK-T2 102-46	VNK-T2 130-52	VNK-T2 170-77	VNK-T2 225-95	VNK-T2 320-127	VSG 450-165

* HFKN 110-32 and HFKN 165-46 available with fixed piston thread only.

** Higher speed with special top jaws only.



SMW-AUTOBLOK
460



SMW-AUTOBLOK
114



SMW-AUTOBLOK
321

HFKN-C

HFKN-D

HFKN-M

Ordering review

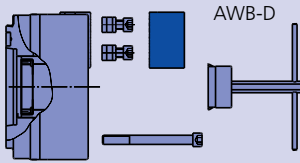
TONGUE & GROOVE

INCH
SERRATION

METRIC
SERRATION

Ordering review HFKN-D (inch serration)

HFKN-D with soft top jaws AWB-D

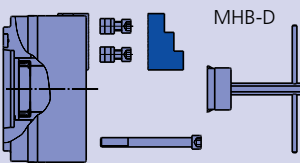


Spindle mounting \ Size	HFKN-D 110-32	HFKN-D 165-46	HFKN-D 210-52	HFKN-D 260-72	HFKN-D 315-91	HFKN-D 400-128	HFKN-D 500-155
Centering rim small	-	-	-	Z 170 090316	Z 220 090320	Z 300 090324	Z 300 090328
Centering rim large	Z 100 065354	Z 140 090310	Z 170 090313	Z 220 090317	Z 300 090321	Z 380 090325	Z 380 090329
A 04	065355	-	-	-	-	-	-
A 05	-	090311	-	-	-	-	-
A 06	-	090312	090314	090318	-	-	-
A 08	-	-	090315	090319	090322	-	-
A 11	-	-	-	-	090323	090326	090330
A 15	-	-	-	-	-	090327	090331

Supply range:

- Chuck + mounting bolts
- Soft top jaws AWB-D
- 1 set (= 6 pieces) T-nuts with bolts
- Key

HFKN-D with hardened reversible top jaws MHB-D



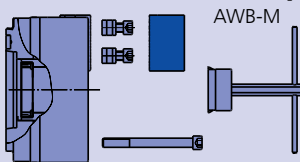
Spindle mounting \ Size	HFKN-D 110-32	HFKN-D 165-46	HFKN-D 210-52	HFKN-D 260-72	HFKN-D 315-91	HFKN-D 400-128	HFKN-D 500-155
Centering rim small	-	-	-	Z 170 090338	Z 220 090342	Z 300 090346	Z 300 090350
Centering rim large	Z 100 065356	Z 140 090332	Z 170 090335	Z 220 090339	Z 300 090343	Z 380 090347	Z 380 090351
A 04	065357	-	-	-	-	-	-
A 05	-	090333	-	-	-	-	-
A 06	-	090334	090336	090340	-	-	-
A 08	-	-	090337	090341	090344	-	-
A 11	-	-	-	-	090345	090348	090352
A 15	-	-	-	-	-	090349	090353

Supply range:

- Chuck + mounting bolts
- Hardened ground reversible top jaws MHB-D
- 1 set (= 6 pieces) T-nuts with bolts
- Key

Ordering review HFKN-M / -C (metric serration) / size 110 with tongue and groove

HFKN-M with soft top jaws AWB-M + HFKN-C

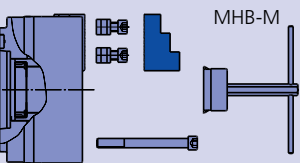


Spindle mounting \ Size	HFKN-C 110-32	HFKN-M 165-46	HFKN-M 210-52	HFKN-M 260-72	HFKN-M 315-91	HFKN-M 400-128	HFKN-M 500-155
Centering rim small	-	-	-	Z 170 090360	Z 220 090364	Z 300 090368	Z 300 090372
Centering rim large	Z 100 065466	Z 140 090354	Z 170 090357	Z 220 090361	Z 300 090365	Z 380 090369	Z 380 090373
A 04	065467	-	-	-	-	-	-
A 05	-	090355	-	-	-	-	-
A 06	-	090356	090358	090362	-	-	-
A 08	-	-	090359	090363	090366	-	-
A 11	-	-	-	-	090367	090370	090374
A 15	-	-	-	-	-	090371	090375

Supply range:

- Chuck + mounting bolts
- Soft top jaws AWB-M
- 1 set (= 6 pieces) T-nuts with bolts
- Key

HFKN-M with hardened reversible top jaws MHB-M



Spindle mounting \ Size	HFKN-M 165-46	HFKN-M 210-52	HFKN-M 260-72	HFKN-M 315-91	HFKN-M 400-128	HFKN-M 500-155
Centering rim small	-	-	Z 170 090382	Z 220 090386	Z 300 090390	Z 300 090394
Centering rim large	Z 140 090376	Z 170 090379	Z 220 090383	Z 300 090387	Z 380 090391	Z 380 090395
A 04	-	-	-	-	-	-
A 05	090377	-	-	-	-	-
A 06	090378	090380	090384	-	-	-
A 08	-	090381	090385	090388	-	-
A 11	-	-	-	090389	090392	090396
A 15	-	-	-	-	090393	090397

Supply range:

- Chuck + mounting bolts
- Hardened ground reversible top jaws MHB-M
- 1 set (= 6 pieces) T-nuts with bolts
- Key

HFKN-D

HFKN-M

HFKN-C

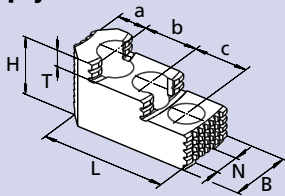
INCH
SERRATION

METRIC
SERRATION

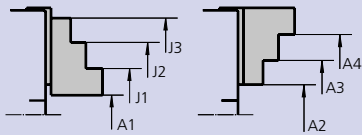
TONGUE & GROOVE

Jaws

MHB-D (INCH SERRATION) Hardened reversible top jaws

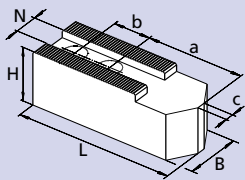


Clamping ranges



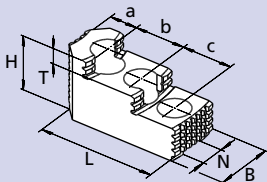
Chuck	HFKN-D 110	HFKN-D 165	HFKN-D 210	HFKN-D 260	HFKN-D 315	HFKN-D 400	HFKN-D 500
Jaw type	MHB-D	MHB-D	MHB-D	MHB-D	MHB-D	MHB-D	MHB-D
Id. No.	007076	12081636	12082036	12083036	12083036	12084546	12084546
Serration	1/16" x 90°	1/16" x 90°	1/16" x 90°	1/16" x 90°	1/16" x 90°	3/32" x 90°	3/32" x 90°
B	20	34	40	45	45	60	60
H	31	39	45	56	56	75	75
L	48	65	82	105	105	140	140
T	7	10	10.5	13.5	13.5	32	19
N	8	14	17	21	21	25.5	25.5
a	9.5	18	19	26	26	38	38
b	12	16	23	30	30	38	38
c	12	16	23	30	30	38	38
kg / set	0.35	0.9	1.71	2.85	2.85	7.5	7.5
A1	5-59	15-75	10-100	15-115	50-170	40-205	80-320
A2	15-70	-	-	-	-	-	-
A3	46-100	62-120	62-150	100-205	115-265	160-330	220-450
A4	70-125	110-175	140-230	185-285	200-350	260-420	320-560
J1	49-102	65-125	65-150	75-165	90-225	120-285	180-410
J2	72-126	115-175	135-230	150-250	160-310	220-385	280-510
J3	101-155	145-210	180-265	225-325	235-380	330-480	370-670

AWB-D (INCH SERRATION) Soft top jaws

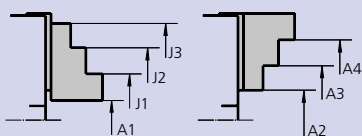


Chuck	HFKN-D 110	HFKN-D 165	HFKN-D 210	HFKN-D 260	HFKN-D 315	HFKN-D 400	HFKN-D 500
Jaw type	AWB-D	AWB-D	AWB-D	AWB-D	AWB-D	AWB-D	AWB-D
Id. No.	038258	035954	081616	081618	081618	081620	081620
Serration	1/16" x 90°	1/16" x 90°	1/16" x 90°	1/16" x 90°	1/16" x 90°	3/32" x 90°	3/32" x 90°
B	20	40	40	50	50	60	60
H	30	40	40	50	50	60	60
L	55	80	90	120	120	140	140
N	8	14	17	21	21	25.5	25.5
a	30	43	53	70	70	80	80
b	12	22	22	28	28	35	35
c	0	4	4	6	6	-	-
kg / set	0.55	2.0	2.7	5.1	5.1	9.65	9.65

MHB-M (METRIC SERRATION) Hardened reversible top jaws

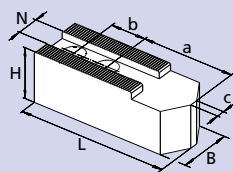


Clamping ranges



Chuck	HFKN-M 165	HFKN-M 210	HFKN-M 260	HFKN-M 315	HFKN-M 400	HFKN-M 500
Jaw type	MHB-M	MHB-M	MHB-M	MHB-M	MHB-M	MHB-M
Id. No.	12081627	12082127	12082627	12083037	on request	on request
Serration	1.5 x 60°	1.5 x 60°	1.5 x 60°	1.5 x 60°	3 x 60°	3 x 60°
B	34	40	45	45	55	55
H	39	45	56	56	73	73
L	67	86	100	105	145	145
T	10	10.5	15.5	13.5	32	32
N	12	14	16	21	25.5	25.5
a	14	19	23	26	46	46
b	20	25	30	30	38	38
c	20	25	30	30	38	38
kg / set	0.9	1.8	2.55	2.85	6.7	6.7
A1	15-75	10-100	15-115	50-170	40-190	80-320
A2	-	-	-	-	85-235	125-365
A3	62-120	62-150	100-205	115-265	-	-
A4	110-175	140-230	185-285	200-350	270-420	320-560
J1	65-125	65-150	75-165	90-225	150-300	180-420
J2	115-175	135-230	150-250	160-310	-	-
J3	145-210	180-265	225-325	235-380	330-480	370-610

AWB-M (METRIC SERRATION) Soft top jaws



Chuck	HFKN-C 110*	HFKN-M 165	HFKN-M 210	HFKN-M 260	HFKN-M 315	HFKN-M 400	HFKN-M 500
Jaw type	WBR	AWB-M	AWB-M	AWB-M	AWB-M	AWB-M	AWB-M
Id. No.	013843	081719	081720	081722	035957	036791	036791
Serration	S08 N08	1.5 x 60°	1.5 x 60°	1.5 x 60°	1.5 x 60°	3 x 60°	3 x 60°
B	20	30	35	40	50	60	60
H	25	32	40	40	50	60	60
L	53	82	102	125	120	140	140
N	S08 N08	12	14	16	21	25.5	25.5
a	30.5	47	57	65	70	80	80
b	15	20	25	30	30	35	35
c	0	4	4	6	6	-	-
kg / set	0.45	1.4	2.5	3.95	5.1	9.65	-

* Size 110 with TONGUE & GROOVE.

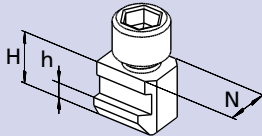


JAWS-CATALOG

Request or
download:
www.smw-autoblok.de

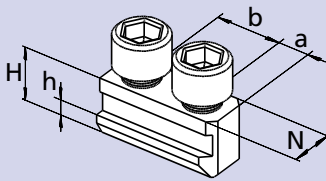
■ T-Nuts ■ Grease	HFKN-C	HFKN-D			HFKN-M		
	TONGUE & GROOVE	INCH SERRATION			METRIC SERRATION		

NST
T-nuts
suitable for HFKN-D



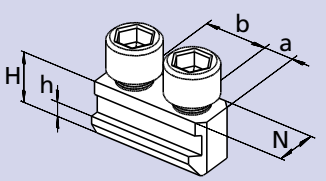
Chuck	HFKN-D 110	HFKN-D 165	HFKN-D 210	HFKN-D 260	HFKN-D 315	HFKN-D 400	HFKN-D 500
T-nut type		NST	NST	NST	NST	NST	NST
Id. No.		035958	034245	034197	034197	014812	014812
N		14	17	21	21	25.5	25.5
H		18.5	20.5	26.5	26.5	29	29
h		6.5	7.5	10	10	11	11
Cyl.-screw ISO 4762-12.9		M10 x 20	M12 x 25	M16 x 35	M16 x 35	M20 x 40	M20 x 40
Torque Md max. (Nm)		50	70	150	150	300	300

NSTE
T-nuts
suitable for HFKN-D



Chuck	HFKN-D 110	HFKN-D 165	HFKN-D 210	HFKN-D 260	HFKN-D 315	HFKN-D 400	HFKN-D 500
T-nut type		NSTE	NSTE	NSTE	NSTE	NSTE	NSTE
Id. No.	038265	73061650	73062150	73063050	73063050	081817	081817
N	8	14	17	21	21	25.5	25.5
H	13.5	18.5	20.5	26.5	26.5	29	29
h	5.0	6.5	7.5	10	10	11	11
a	5	8	10	13	13	16	16
b	12	16	23	30	30	35	35
Cyl.-screw ISO 4762-12.9	M6 x 20	M10 x 20	M12 x 25	M16 x 35	M16 x 35	M20 x 40	M20 x 40
Torque Md max. (Nm)	16	50	70	150	150	300	300

NSTE
T-nuts
suitable for HFKN-M



Chuck	HFKN-M 110	HFKN-M 165	HFKN-M 210	HFKN-M 260	HFKN-M 315	HFKN-M 400	HFKN-M 500
T-nut type		NSTE-M	NSTE-M	NSTE-M	NSTE-M	NSTE-M	NSTE-M
Id. No.		73061602	73062101	73062501	73063050	081817	081817
N		12	14	16	21	25.5	25.5
H		18.5	20.5	26.5	26.5	29	29
h		6.5	7.5	10	10	11	11
a		8	10	13	13	16	16
b		20	25	30	30	35	35
Cyl.-screw ISO 4762-12.9		M10 x 20	M12 x 25	M12 x 35	M16 x 35	M20 x 40	M20 x 40
Torque Md max. (Nm)		50	70	70	150	300	300

Important for maintenance and safe operation, to be ordered with the chuck

Grease KO5®

Special grease for manual and power chucks



Cartridge 14 Oz. (DIN 1284)
Grease content 500 g
Id. No. 016440



Can 1000 g
Id. No. 011881

- High adhesion
- High resistance against coolant
- High load bearing capacity
- Low friction coefficient
- Avoids tribocorrosion

Grease gun

Grease gun (DIN 1283) for cartridges 14 Oz. (DIN 1284)



Lubrication set Id. No. 083726

- Supply range
- Grease gun
 - 1 Adapter flexible for high pressure grease nipple
 - 1 Adapter for cone grease nipple

High precision power chuck from SMW-AUTOBLOK HFKS-2G

- **Wedge bar drive,**
- minimum loss in gripping force
- even at high speeds because of
- tangentially supported wedge bars.
- Minimum increase of gripping force
- (**hysteresis**) after quick spindle stop

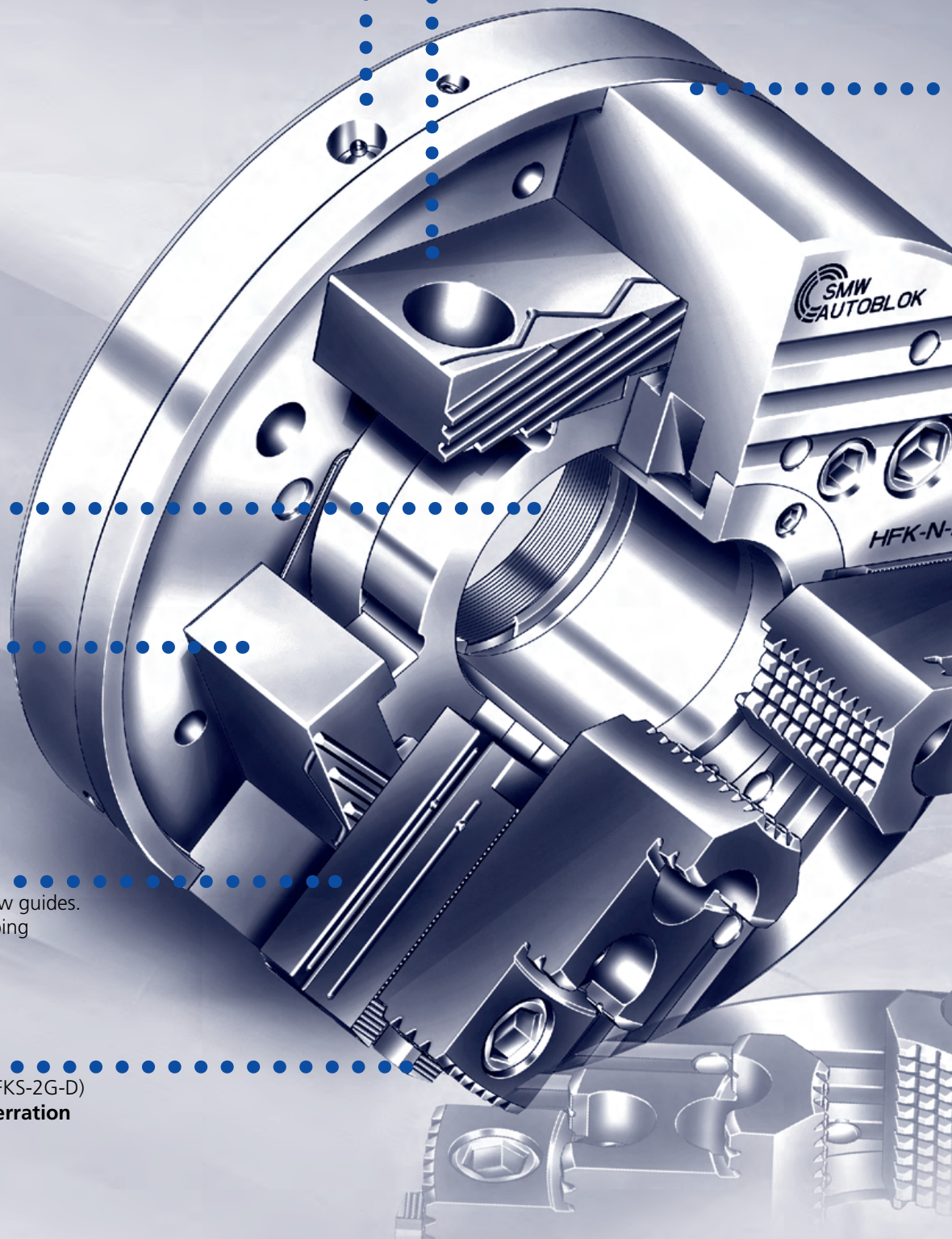
Easy lubrication even
on vertical machines
with 3 radial built-in
grease fittings

Large through-hole
for full use of
spindle bore

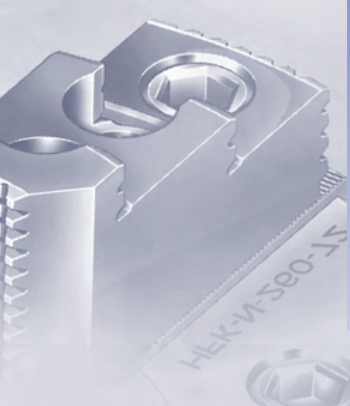
High **efficiency** of
the wedge bar drive
ensures highest
concentricity and
repeatability

Extra long, symmetrical jaw guides.
Ideal for O.D. or I.D. gripping

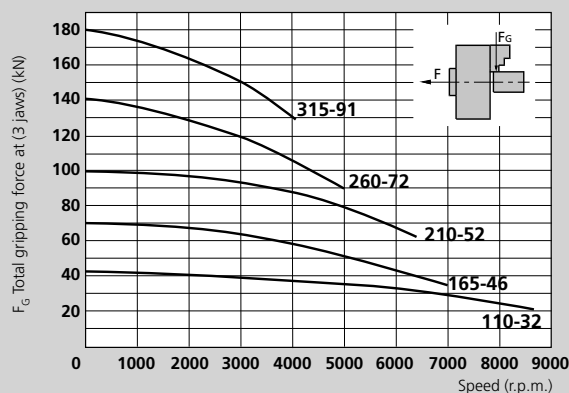
Master jaws with **inch** (HFKS-2G-D)
or **metric** (HFKS-2G-M) **serration**



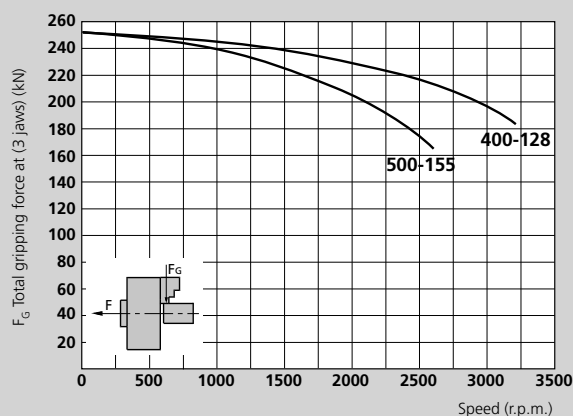
Chuck body and internal parts are **case hardened and polished** for highest rigidity, durability and precision



Flat gripping force curve for high speeds



The data in the diagrams refer to 3 jaw chucks, newly maintained according to their service manuals using SMW-AUTOBLOK K05 grease. The static and dynamic gripping forces have been measured using standard soft top jaws, placed in a position not exceeding the outer diameter of the chuck.



△ Safety advice / danger of damage:

When using taller / heavier jaws and / or clamping on a bigger diameter reduce draw pull / rotating speed accordingly.

Clamping glossary

Case hardening: The surface of the components is hardened (60 HRC) to a depth of about 1 mm (0.04"). The core shows a high tensile strength and toughness. Compared to partial inductive hardened and nitrided parts the rigidity and the resistance against wear is greatly increased.

Hysteresis: At high speeds the chuck body "grows" due to centrifugal force. The draw pull of the clamping cylinder causes an increase in gripping force which cannot be decreased at a quick spindle stop (or change in speed). This can cause deformation at easily deformed parts. SMW-AUTOBLOK chucks with wedge bar drive have a very low hysteresis.

Wedge bar drive: The chuck is driven by tangentially mounted wedge bars. This design allows highest repeatability and rigidity. These chucks have very low loss in gripping force due to centrifugal force. The design does not require counterbalance weights which allows highest speeds without vibration.

INCH SERRATION: The connection between top jaws and master jaws is done through serration, T-nuts and bolts according to DIN 6353 (serration 90°, pitch in inches). This is standard on European chucks. HFKN chucks can be supplied either with inch serration or metric serration.

METRIC SERRATION: The connection between top jaws and master jaws is done through serration, T-nuts and bolts according to ISO 9401 (serration 60°, pitch in mm). This is standard on Japanese chucks.

Efficiency: Efficiency is the ratio between the calculated theoretical gripping force (disregarding friction) and the actual (measured) gripping force.

HFKS-2G

INCH / METRIC
SERRATION

High precision power chuck

- Weight reduced chuck body and large through-hole
- Centrifugal force compensation
- Direct lubrication system



Application/customer benefits

- Universal use for turning and milling
- Flats on the chuck body for best accessibility with live tools and to reduce weight and inertia
- Wedge hook mechanism combined with a multi jaw guide guarantee maximum precision and sensitivity for the workpiece clamping
- Also suitable for large batch production, with heavy duty cutting or clamping of easy deformed workpieces
- Centrifugal force compensation for highest speed
- Constant clamping forces due to the direct lubrication system
- Maximum durability due to case hardened chuck components
- Wide range of standard top jaws

Technical features

- Centrifugal force compensation
- Multi jaw guides
- Direct lubrication system
- Large through-hole
- Wedge hook mechanism

Standard equipment

- 3-jaw chuck,
- 6 pcs. T-nuts and screws,
- 1 set of soft top jaws

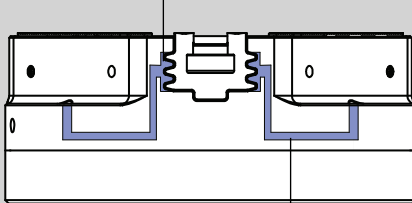
Ordering example

3-jaw chuck HFKS-2G-D-210-58-3-Z170

Product features

Direct lubrication system

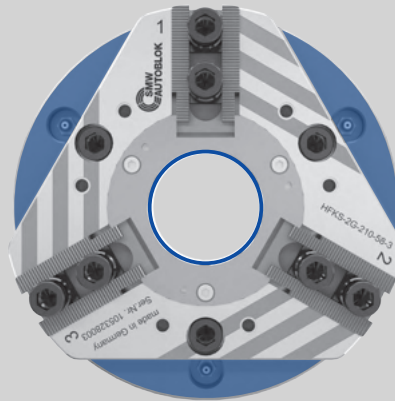
Grease reservoirs in the jaw guide ways



Direct lubrication channels

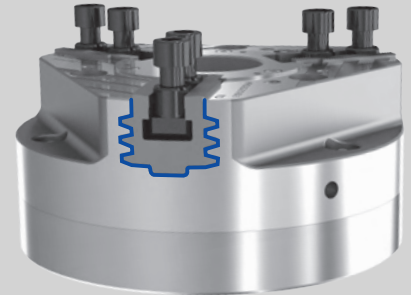
Direct lubrication system: Additional lubrication channels and grease reservoirs integrated in the jaw guide ways ensure constant clamping force.

Weight optimized chuck body with large through-hole



Flats on the chuck body for best accessibility with live tools and weight reduction. Large through-hole.

Multi jaw guide



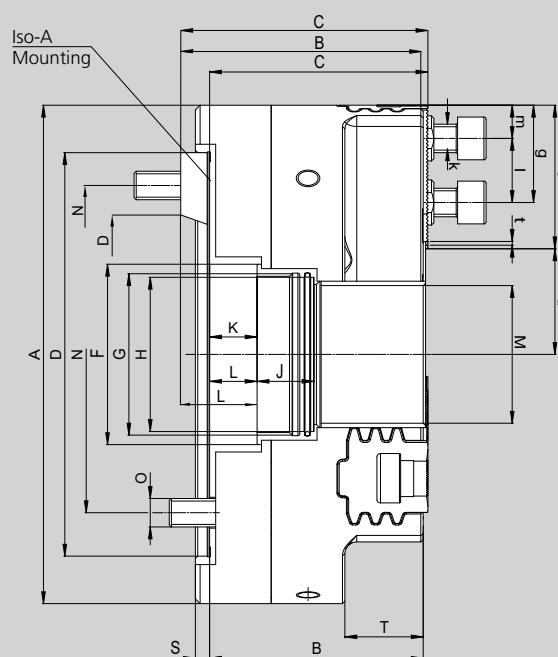
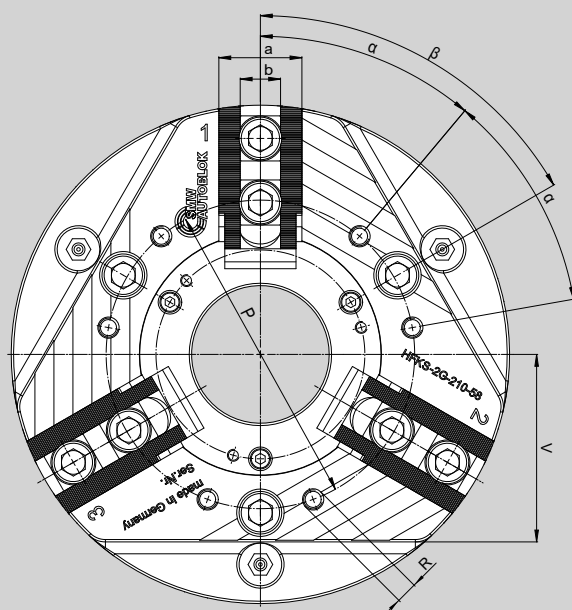
Wedge hook mechanism combined with a multi jaw guide and centrifugal force compensation for maximum precision and sensitivity (also for easy deformed workpieces). Ideal also for I. D. gripping and for milling.

High precision power chuck

- Weight reduced chuck body and large through-hole
- Centrifugal force compensation
- Direct lubrication system

HFKS-2G

INCH / METRIC
SERRATION



Subject to technical changes.
For more detailed information please ask our customer service.

SMW-AUTOBLOK Type HFKS-2G		165-46		210-58		255-72		320-88		320-88	
Mounting		Z140	A05	Z170	A06	Z220	A08	Z220	A08	Z300	A11
Outside diameter	A	165		210		255		320		320	
	B	90	105	90	107	98	117	98	117	98	119
	C	92.5	107.5	92	109	100	119	100	119	100	121
	D H6	140	82.57	170	106.39	220	139.73	220	139.73	300	196.88
	F	60		76		90		110		110	
Piston thread / depth	G	M54 x 1.5 / 18		M68 x 2 / 18		M82 x 2 / 24		M100 x 2 / 24		M100 x 2 / 24	
	H H6	52		65		77		93		93	
	J	24		24		34		34		34	
Piston stroke	K	17		20		20		20		20	
Max.	L	17	32	20	37	20	39	20	39	20	41
Through-hole	M	46		58		72		88		88	
Bolt circle	N	104.8		133.4		171.4		171.4		235	
Fixing bolt	O	M10		M12		M16		M16		M20	
	P	115		130		150		170		170	
Thread / thread depth	R	M6 / 11		M8 / 15		M8 / 15		M8 / 15		M8 / 15	
	S	6		6		6		6		6	
	T	33		33		42		42		42	
	V	65		79		100		100*		100*	
	a	35		35		45		45		45	
Groove width inch serration	b H7	14**		17		21		21		21	
Groove width metric serration	b H7	12		14		16		21		21	
	c	46.5		59.5		72.5		99.5		99.5	
Max.	d	37		45.5		53.5		60.5		60.5	
Max. / min.	g	21 / 34		50 / 25		62 / 35		82 / 35		82 / 35	
Bolt ISO 4762 12.9 inch serration	k	M10		M12		M16		M16		M16	
Bolt ISO 4762 12.9 metric serration	k	M10		M12		M12		M16		M16	
Min.	l	16****		19		19		25		25	
Min.	m	5		6		10		10		10	
Inch serration	t	1/16" x 90°		1/16" x 90°		1/16" x 90°		1/16" x 90°		1/16" x 90°	
Metric serration	t	1.5 x 60°		1.5 x 60°		1.5 x 60°		1.5 x 60°		1.5 x 60°	
	α	42.5****		40°		40°		30° / 60°		30° / 60°	
	β	60°		60°		60°		60°		60°	
Stroke per jaw	mm	4.5		5.25		5.25		5.25		5.25	
Max. actuating force	kN	27		45		70		70		70	
Max. total gripping force	kN	60		100		150		150		150	
Max. speed	r.p.m.	7000		6300		4500		4000		4000	
Weight (without jaws)	kg	11		18.1		29.5		44.5		43.5	
Moment of inertia	kg·m ²	0.04		0.12		0.26		0.60		0.58	

* Attention: Flat on distance V = 70 mm wide, then under 11.5°

** Optionally available with groove 17

*** Only 1 thread between each 2 jaws

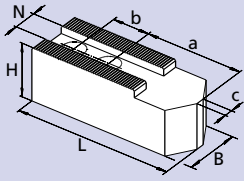
**** Fix 20 (double T-nut) used in metric serration

HFKS-2G

INCH / METRIC
SERRATION

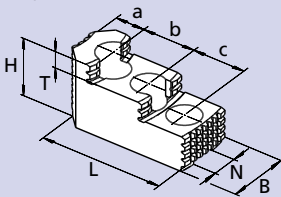
Jaws

AWB-D (INCH SERRATION) Soft top jaws



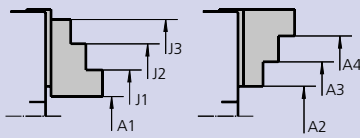
Chuck	HFKS-2G-D 165	HFKS-2G-D 210	HFKS-2G-D 255	HFKS-2G-D 320
Jaw type	AWB-D	AWB-D	AWB-D	AWB-D
Id. No.	035954	081616	081618	081618
Serration	1/16" x 90°	1/16" x 90°	1/16" x 90°	1/16" x 90°
B	40	40	50	50
H	40	40	50	50
L	80	90	120	120
N	14	17	21	21
a	43	53	70	70
b	22	22	28	28
c	4	4	6	6
kg / set	2.0	2.7	5.1	5.1

MHB-D* (INCH SERRATION) Hard, reversible top jaws

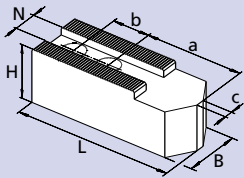


Chuck	HFKS-2G-D 165	HFKS-2G-D 210	HFKS-2G-D 255	HFKS-2G-D 320
Jaw type	MHB-D	MHB-D	MHB-D	MHB-D
Id. No.	12081636	12082036	12083036	12083036
Serration	1/16" x 90°	1/16" x 90°	1/16" x 90°	1/16" x 90°
B	34	40	45	45
H	39	45	56	56
L	65	82	105	105
T	10	10.5	13.5	13.5
N	14	17	21	21
a	18	19	26	26
b	16	23	30	30
c	16	23	30	30
kg / set	0.9	1.71	2.85	2.85
A1	23-83	26-105	16-110	35-162
A2	-	-	-	-
A3	70-128	78-155	93-193	85-257
A4	118-183	156-235	178-273	170-342
J1	73-133	81-155	68-153	75-217
J2	123-183	151-235	149-237	130-302
J3	153-219	196-270	218-313	205-372

Clamping ranges

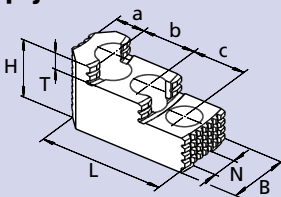


AWB-M (METRIC SERRATION) Soft top jaws



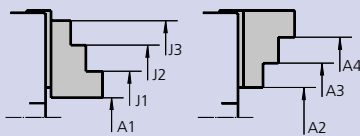
Chuck	HFKS-2G-M 165	HFKS-2G-M 210	HFKS-2G-M 255	HFKS-2G-M 320
Jaw type	AWB-M	AWB-M	AWB-M	AWB-M
Id. No.	081719	081720	081722	236517
Serration	1.5 x 60°	1.5 x 60°	1.5 x 60°	1.5 x 90°
B	30	35	40	50
H	32	40	42	50
L	82	102	125	145
N	12	14	16	21
a	47	57	65	85
b	20	25	30	30
c	4	4	6	10
kg / set	1.4	2.7	3.95	6.83

MHB-M* (METRIC SERRATION) Hard, reversible top jaws



Chuck	HFKS-2G-M 165	HFKS-2G-M 210	HFKS-2G-M 255	HFKS-2G-M 320
Jaw type	MHB-M	MHB-M	MHB-M	MHB-M
Id. No.	12081627	12082127	12082627	12083037
Serration	1.5 x 60°	1.5 x 60°	1.5 x 60°	1.5 x 60°
B	34	40	45	45
H	39	45	56	56
L	67	86	100	105
T	10	10.5	15.5	13.5
N	12	14	16	21
a	14	19	23	26
b	20	25	30	30
c	20	25	30	30
kg / set	0.9	1.8	2.55	2.85
A1	23-83	26-105	16-110	35-162
A2	-	-	-	-
A3	70-128	78-155	93-193	85-257
A4	118-183	156-235	178-273	170-342
J1	73-133	81-155	68-153	75-217
J2	123-183	151-235	149-237	130-302
J3	153-219	196-270	218-313	205-372

Clamping ranges



*Attention: The values are calculated theoretical values only. SMW-AUTOBLOK is recommending not to clamp any diameters, that are larger than the chuck O.D.

JAWS-CATALOG

Request or
download:
www.smw-autoblok.de

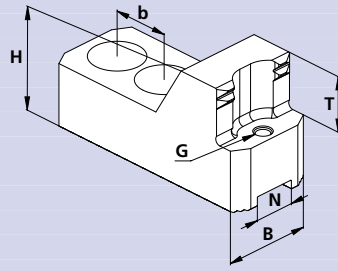


HFKS-2G

INCH / METRIC
SERRATION

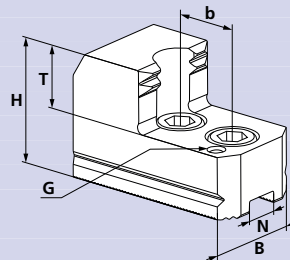
■ Jaws*

GG-D (INCH SERRATION) Hard roughing jaws



Type	Id. No.	External clamping	Internal clamping	B	H	T	G	N	Serration	b	kg / Set	SMW-AUTOBLOK Chuck				
GG-D 010	090732	30-56	-	35	45	20	M6	14	1/16" x 90°	16.5	1.77	HFKS-2G-D 165				
GG-D 011	090733	64-90	167-193								1.26					
GG-D 012	090734	102-128	129-155								1.13					
GG-D 013	090735	137-163	94-120	35	50	25	M6	17	1/16" x 90°	22	1.08	HFKS-2G-D 210				
GG-D 030	081057	27-77	-								1.87					
GG-D 031	081058	53-103	212-262								1.55					
GG-D 032	081059	88-138	177-227	40	45	20	40	50	25	21	1.24	HFKS-2G-D 255				
GG-D 033	081060	112-162	133-183	1.29												
GG-D 034	090811	143-193	102-152	1.73												
GG-D 035	090812	-	82-132	40	50	25	40	50	25	29**	2.06	HFKS-2G-D 320				
GG-D 050	081065	30-84	-	45	59	28					M8		21	1/16" x 90°	29**	3.38
GG-D 051	081066	77-131	237-291	45	46	15					M8		21	1/16" x 90°	29**	2.57
GG-D 052	081067	105-159	209-263	60			3.14									
GG-D 053	081068	148-202	166-220	60			2.75									
GG-D 054	090817	189-243	125-179	60	45	15	M8	21	1/16" x 90°	29**	3.85	HFKS-2G-D 320				
GG-D 055	090818	-	85-139	60							4.74					
GG-D 056	090819	-	75-129	45							3.06					
GG-D 060	081069	41-135	-	45	59	28	M8	21	1/16" x 90°	29**	3.76	HFKS-2G-D 320				
GG-D 061	081070	93-187	277-371	60	51	20	M8	21	1/16" x 90°	29**	4.61					
GG-D 062	080552	139-233	231-325	60							3.65					
GG-D 063	081071	201-295	169-263	60							3.80					
GG-D 064	090820	262-356	108-202	60	51	20	M8	21	1/16" x 90°	29**	4.48					

GG-M (METRIC SERRATION) Hard roughing jaws



Type	Id. No.	External clamping	Internal clamping	B	H	T	G	N	Serration	b	kg / Set	SMW-AUTOBLOK Chuck	
GG-M 010	5317818	36-62	-	35	45	20	M5	12	1.5 x 60°	20	1.63	HFKS-2G-M 165	
GG-M 020	5317819	56-82	-				M6				4.16		
GG-M 030	5317820	82-108	154-180				M6				1.29		
GG-M 040	5317821	108-134	128-154	40	42	25	M6	14	1.5 x 60°	25	1.42	HFKS-2G-M 210	
GG-M 050	5317822	132-158	104-130				M6				1.29		
GG-M 060	5318113	154-180	114-140				M6				1.39		
GG-M 070	5317971	-	65-91	M6	1.34								
GG-M 080	5317464	42-92	-	35	50	25	M5	16	1.5 x 60°	30	2.00	HFKS-2G-M 255	
GG-M 090	5317465	81-131	189-239	40	40	50	M6				1.86		
GG-M 100	5317466	120-170	150-200	M6			1.74						
GG-M 110	5317467	162-212	108-158	40			2.34						
GG-M 120	5317468	200-250	70-120	40	45	59	28	M8	16	1.5 x 60°	30	2.34	HFKS-2G-M 320
GG-M 130	5317469	31-85	-	45								4.02	
GG-M 140	5317470	66-120	-	60								3.27	
GG-M 150	5317471	104-158	213-267	60	59	28	M8	21	1.5 x 60°	30	3.65	HFKS-2G-M 320	
GG-M 160	5317472	140-194	176-230	60							2.55		
GG-M 170	5317473	172-226	112-166	50							3.61		
GG-M 180	5317474	207-261	109-163	50	45	59	28	M5	21	1.5 x 60°	30	3.71	HFKS-2G-M 320
GG-M 200	5317476	25-119	-	45								4.73	
GG-M 210	5317477	95-189	-	M8								3.70	
GG-M 220	5317478	163-257	223-317	50	20	22	M8	21	1.5 x 60°	30	3.32	HFKS-2G-M 320	
GG-M 230	5317479	227-321	145-239				M8				4.67		
GG-M 240	5317480	-	92-186				50				5.24		

* Attention: The values are calculated theoretical values only. SMW-AUTOBLOK is recommending not to clamp any diameters, that are larger than the chuck O.D.

** Can be used with double T-nuts hole spacing 28 mm and 30 mm

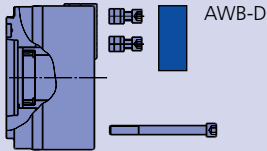
HFKS-2G-D

INCH
SERRATION

Ordering review

Order review HFKS-2G-D (inch serration)

HFKS-2G-D with soft top jaws AWB-D

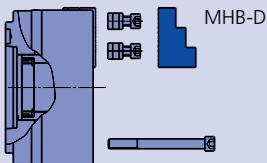


Size Spindle mounting	HFKS-2G-D 165-46	HFKS-2G-D 210-58	HFKS-2G-D 255-72	HFKS-2G-D 320-88
Centering rim small	-	-	-	Z 220 163749
Centering rim large	Z140 163741	Z 170 163745	Z 220 163747	Z 300 163750
A 05	163744	-	-	-
A 06	-	163746	-	-
A 08	-	-	163748	163751
A 11	-	-	-	163752

Supply range:

- Chuck + mounting bolts
- Soft top jaws AWB-D
- 1 set (= 6 pcs.) T-nuts with bolts

HFKS-2G-D with hardened reversible top jaws MHB-D



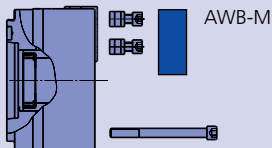
Size Spindle mounting	HFKS-2G-D 165-46	HFKS-2G-D 210-58	HFKS-2G-D 255-72	HFKS-2G-D 320-88
Centering rim small	-	-	-	Z220 162884
Centering rim large	Z140 163740	Z170 162880	Z220 162882	Z300 162885
A 05	163743	-	-	-
A 06	-	162881	-	-
A 08	-	-	162883	162886
A 11	-	-	-	162887

Supply range:

- Chuck + mounting bolts
- Hardened ground reversible top jaws MHB-D
- 1 set (= 6 pcs.) T-nuts with bolts

Order review HFKS-2G-M (metric serration)

HFKS-2G-M with soft top jaws AWB-M

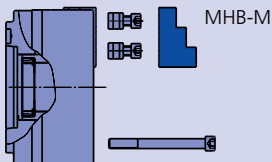


Size Spindle mounting	HFKS-2G-M 165-46	HFKS-2G-M 210-58	HFKS-2G-M 255-72	HFKS-2G-M 320-88
Centering rim small	-	-	-	Z 220 162749
Centering rim large	Z140 163755	Z 170 162734	Z 220 162739	Z 300 162763
A 05	163758	-	-	-
A 06	-	162737	-	-
A 08	-	-	162748	162598
A 11	-	-	-	162776

Supply range:

- Chuck + mounting bolts
- Soft top jaws AWB-M
- 1 set (= 6 pcs.) T-nuts with bolts

HFKS-2G-M with hardened reversible top jaws MHB-M



Size Spindle mounting	HFKS-2G-M 165-46	HFKS-2G-M 210-58	HFKS-2G-M 255-72	HFKS-2G-M 320-88
Centering rim small	-	-	-	Z220 162762
Centering rim large	Z140 163754	Z170 162735	Z220 162747	Z300 162764
A 05	163757	-	-	-
A 06	-	162788	-	-
A 08	-	-	162746	162599
A 11	-	-	-	162777

Supply range:

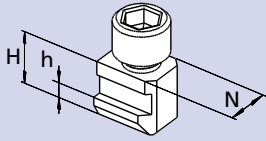
- Chuck + mounting bolts
- Hardened ground reversible top jaws MHB-M
- 1 set (= 6 pcs.) T-nuts with bolts

HFKS-2G

INCH / METRIC
SERRATION

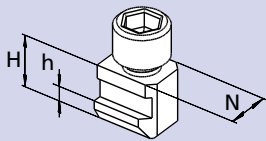
■ T-Nuts

NST T-nuts suitable for HFKS-2G-D



Chuck	HFKS-2G-D 165	HFKS-2G-D 210	HFKS-2G-D 255	HFKS-2G-D 320
T-nut type	NST14-3	NST17	NST21	NST21
Id. No.	163134	016021	014788	014788
	N 14	17	21	21
	H 20	23	27	27
	h 7.5	7.5	10	10
Cyl.-screw ISO 4762-12.9	M10 x 25	M12 x 30	M16 x 35	M16 x 35
Torque Md max. (Nm)	50	70	150	150

NST / NSTE-M T-nuts suitable for HFKS-2G-M



Chuck	HFKS-2G-M 165	HFKS-2G-M 210	HFKS-2G-M 255	HFKS-2G-M 320
T-nut type	NSTE-M120	NST17/14	NST21/16	NST21-6
Id. No.	73061602*	036976	162744	034197
	N 12	14	16	21
	H 18.5	20.5	26.5	26.5
	h 6.5	-	10	10
Cyl.-screw ISO 4762-12.9	M10 x 20	M12 x 25	M12 x 30	M16 x 30
Torque Md max. (Nm)	50	70	70	150

* Double T-nut thread spacing 20 mm

**Important for maintenance and safe operation,
to be ordered with the chuck**

Interflon Grease 2 / 3

Special grease for
manual and power chucks

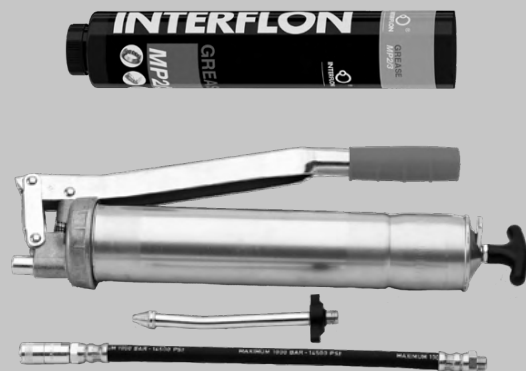


Cartridge 14 Oz. (DIN 1284)
Grease content 400ml
Id. No. 205087

- Ideal for high speed applications
- High adhesion
- High resistance against coolant
- High load bearing capacity
- Low friction coefficient
- Avoids tribocorrosion

Grease gun

Grease gun (DIN 1283) for
cartridges 14 Oz. (DIN 1284)

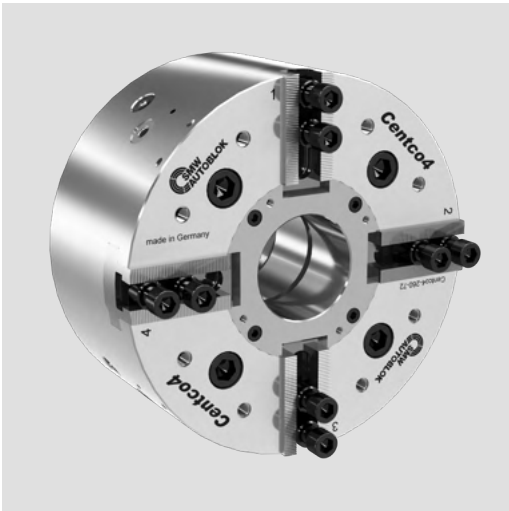


Lubrication set Id. No. 083726

Supply range

- Grease gun
- 1 Adapter flexible for high pressure grease fitting
- 1 Adapter for cone grease fitting

- 2+2 self centering
- Independent self centering clamping in 2 axis
- Centrifugal force compensation



Application/customer benefits

- Independent self centering clamping in 2 axis via 1 central actuating mechanism
- Mechanical centering of the workpiece
- Standard cylinder can be used for actuating
- Clamping of every workpiece geometry possible
- Less workpiece deformation compared to 3-jaw chucks
- Long lifetime due to case hardened parts
- Large range of standard top jaws
- Suitable für OD and ID clamping

Technical features

- Centrifugal force compensation
- Optimized lubrication system
- Large through-hole
- Jaw interface 1/16" x 90°

Standard equipment

- 4-jaw chuck,
- 8 pieces T-nuts and bolts

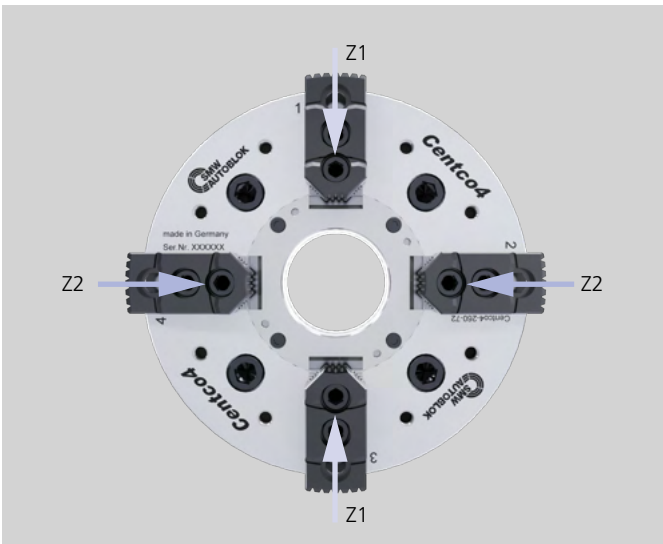
Ordering example

- 4-jaw chuck
- Centco4-260-7-Z-220

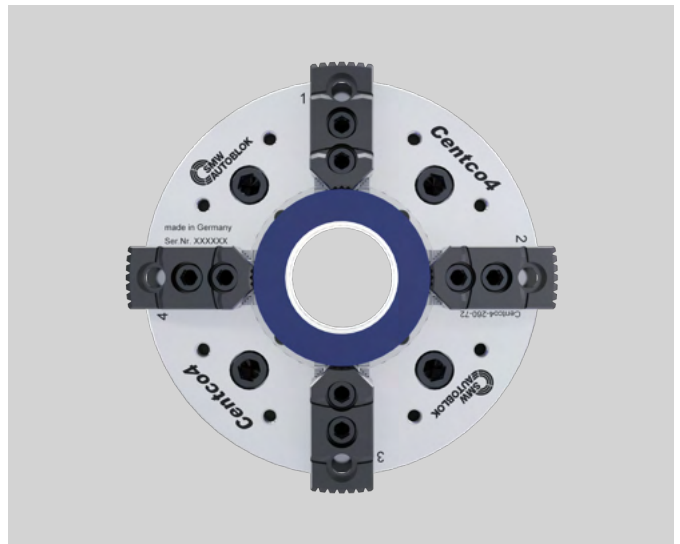
Function / Application examples

2+2 self centering and compensating clamping*

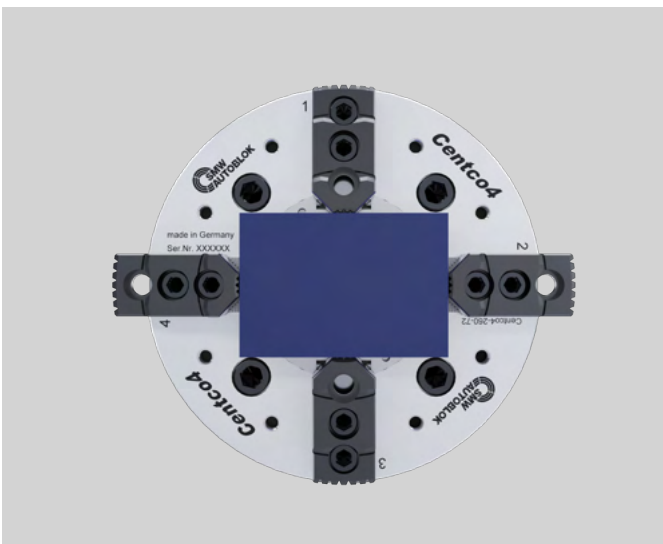
In the beginning the jaw pairs **Z1** + **Z2** only apply a force that is necessary to center the workpiece. Only if both jaw pairs **Z1** and **Z2** are in contact with the workpiece, the grip force necessary for machining is applied.



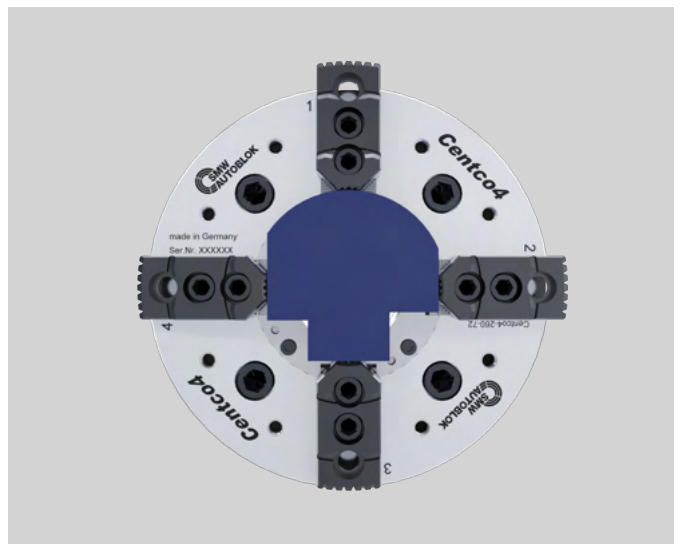
2+2 self centering clamping of round or thinwalled workpieces



2+2 self centering and compensating clamping of rectangular or square workpieces



2+2 self centering and compensating clamping of unshaped workpieces



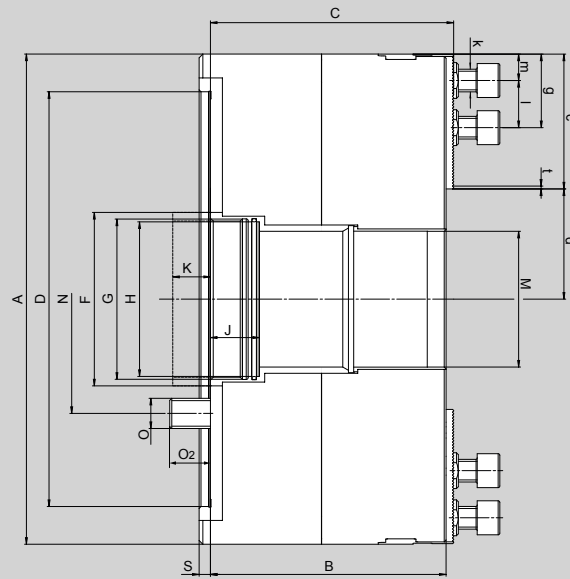
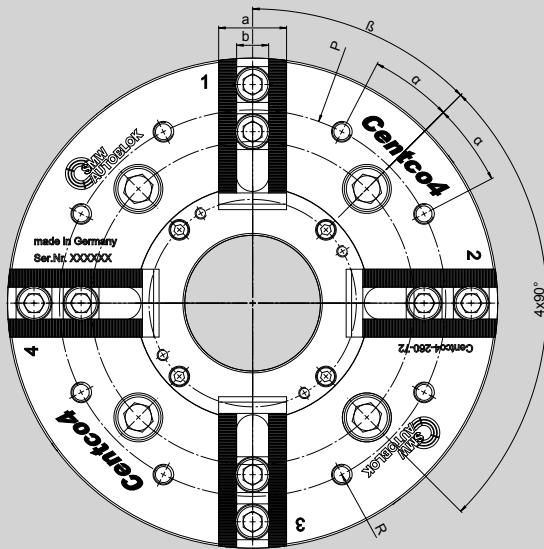
* **Z1**: Self centering clamping axis 1 / **Z2**: self centering clamping axis 2.
Z1 is compensating to Z2.

4-jaw chuck

- 2+2 self centering
- Independent self centering clamping in 2 axis
- Centrifugal force compensation

Centco4

INCH / METRIC
SERRATION



Subject to technical changes.
For more detailed information please ask our customer service.

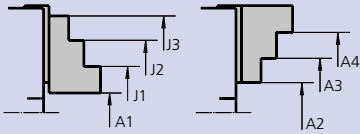
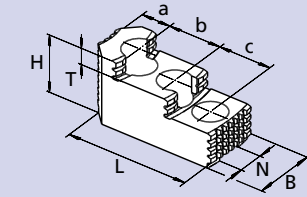
SMW-AUTOBLOK Type		Centco4 210-52	Centco4 260-72	Centco4 315-92	Centco4 400-112	Centco4 400-112	Centco4 500-155	Centco4 630-165
Mounting		Z170	Z220	Z300	Z300	Z380	Z380	Z380
Outside diameter	A	210	260	315	400	400	500	630
	B	108.5	125	134	146	146	156	156
	C	110.5	129	138	148	148	159	159
Diameter Mounting	D H6	170	220	300	300	380	380	380
	F	68	92	115	142	142	178	188
Piston thread / depth	G	M60 x 2 / 20	M85 x 2 / 20	M105 x 2 / 20	M125 x 2 / 28	M125 x 2 / 28	M165 x 2 / 28	M175 x 2 / 28
Centering draw tube	H H7	57	82	102	122	122	162	172
Face contact draw tube	J	30	30	30	38	38	38	38
Piston stroke	K	17	20	23	25	25	30.5	30.5
Through-hole	M H7	52	72	92	112	112	155	165
Bolt circle	N	133.4	171.4	235.0	235.0	330.2	330.2	330.2
Fixing bolt	O	M12	M16	M20	M20	M24	M24	M24
	O2	19.5	22	29	25	29	34.5	34.5
	P	170	205	260	280	280	410 / 280	585 / 420 / 300
Thread / depth	R	M8 / 12	M10 / 21	M10 / 15	M10 / 15	M10 / 15	M10 / 15	2xM16/24-M12/18
	S	5	6	6	6	6	6	6
Base jaw width	a	35	36	40	45	45	60	60
Groove width inch serration	b H7	14	17	17	21	21	25.5	25.5
Groove width metric serration	b H7	14	14	14	-	-	-	-
	c	60	71.5	91	117.5	117.5	142.5	202.5
Jaw position max.	d	45	58.5	66.5	82.5	82.5	107.5	112.5
Spacing max. / min.	g	47 / 22	58 / 25	78 / 25	104 / 35	104 / 35	115 / 44	175 / 44
Bolt ISO 4762 12.9 inch serration	k	M10	M12	M12	M16	M16	M20	M20
Bolt ISO 4762 12.9 metric serration	k	M12	M12	M12	-	-	-	-
Spacing min.	l	16	19	19	25	25	30	30
Spacing min.	m	6	6	6	10	10	14	14
Inch serration	t	1/16" x 90°	1/16" x 90°	1/16" x 90°	1/16" x 90°	1/16" x 90°	3/32" x 90°	3/32" x 90°
Metric serration	t	1.5 x 60°	1.5 x 60°	1.5 x 60°	-	-	-	-
	α	17.5°	17.5°	17.5°	17.5°	17.5°	15°	15°
	β	45°	45°	45°	45°	45°	45°	45°
Stroke per jaw	mm	4.5	5.25	6	6.5	6.5	8	8
Equalising per jaw	mm	3.4	4	5	5	5	6	6
Max. actuating force	kN	40	50	60	85	85	90	90
Max. total gripping force	kN	100	125	150	210	210	230	230
Max. speed	min-1	5000	4500	4000	3200	3200	2300	1800
Weight (without jaws)	kg	24.5	42	66	123	121.5	200	330
Moment of inertia	kg·m ²	0.15	0.4	0.92	2.75	2.7	7.12	18.1
Recommended actuating cylinder		SIN-S 100 / 125	SIN-S 125 / 150	SIN-S 125 / 150	SIN-S 150 / 175	SIN-S 150 / 175	SIN-S 150 / 175	SIN-S 150 / 175
Recommended actuating cylinder		VNK-T2 130-52	VNK-T2 170-77	VNK-T2 225-95	VNK-T2 250-110	VNK-T2 250-110	VSG 450-165	VSG 450-165

Centco4-D

INCH SERRATION

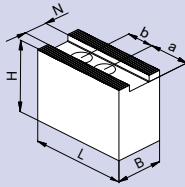
■ Jaws*

MHB-D (INCH SERRATION) Hard, reversible stepped top jaws



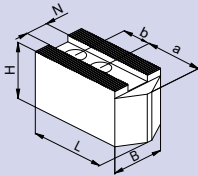
Centco4	210-52	260-72	315-92	400-112	500-115	630-165
Jaw type	MHB-D 160	MHB-D 200	MHB-D 200	MHB-D 251	MHB-D 500	MHB-D 500
Id. No.	12081638	12082038	12082038	12083038	12084548	12084548
Serration	1/16" x 90°	1/16" x 90°	1/16" x 90°	1/16" x 90°	3/32" x 90°	3/32" x 90°
B	34	40	40	45	60	60
H	39	45	45	56	75	75
L	65.2	82	82	106.2	140.8	140.8
T	10	10.5	10.5	13.5	19	19
N	14	17	17	21	25.5	25.5
a	18	19	19	26	38	38
b	16.5	23	23	30	38	38
c	16.5	23	23	30	38	38
kg / set	0.9	2.3	2.3	2.9	9.5	9.5
A1	41 - 127	52 - 161	66 - 216	69 - 263	109.5 - 320	119 - 448.5
A2	-	-	-	-	-	-
A3	90 - 173.5	102.5 - 211.5	116.5 - 265.5	160 - 355	229 - 440	239 - 573
A4	138 - 210**	177.5 - 260**	192 - 315**	245 - 400**	328 - 500**	338 - 630**
J1	87 - 172	100 - 208	114 - 263	124 - 316.5	193.5 - 403	204 - 531.5
J2	135 - 210**	174 - 260**	188 - 315**	207 - 400**	291.5 - 500**	301.5 - 630**
J3	197.5 - 210**	216 - 260**	230 - 315**	279 - 400**	389.5 - 500**	399 - 630**

MWB-D (INCH SERRATION) Soft top jaws Tall version



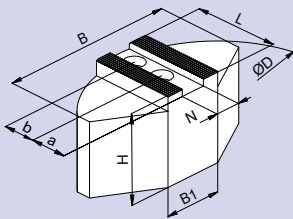
Centco4	210-52	260-72	315-92	400-112	500-115	630-165
Jaw type	MWB-D 165	MWB-D 200	MWB-D 200	MWB-D 250	MWB-D 400	MWB-D 400
Id. No.	5318607	5318837	5318837	5319680	5319831	5319831
Serration	1/16" x 90°	1/16" x 90°	1/16" x 90°	1/16" x 90°	3/32" x 90°	3/32" x 90°
B	35	40	40	50	60	60
H	60	60	60	80	90	90
L	70	90	90	120	170	170
N	14	17	17	21	25.5	25.5
a	33	43	43	62	90	90
b	16.5	22	22	28	35	35
kg / set	2.8	4.1	4.1	9.2	21.6	21.6

AWB-D (INCH SERRATION) Soft top jaws Low / pointed version



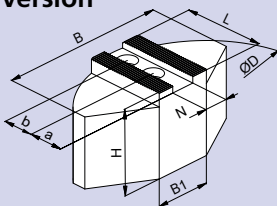
Centco4	210-52	260-72	315-92	400-112	500-115	630-165
Jaw type	AWB-D 165	AWB-D 200	AWB-D 200	AWB-D 250	AWB-D 400	AWB-D 400
Id. No.	5318608	5318838	5318838	5319681	5319834	5319834
Serration	1/16" x 90°	1/16" x 90°	1/16" x 90°	1/16" x 90°	3/32" x 90°	3/32" x 90°
B	40	40	40	50	60	60
H	40	40	40	50	60	60
L	100	110	110	120	170	170
N	14	17	17	21	25.5	25.5
a	43	53	53	70	115	115
b	22	22	22	28	35	35
kg / set	2.4	2.7	2.7	5.4	14.5	14.5

SBS-D (INCH SERRATION) Soft pie jaws



Centco4	210-52	260-72	315-92	400-112	500-115	630-165
Jaw type	SBS-D 165	SBS-D 200	SBS-D 200	SBS-D 200	SBS-D 400	SBS-D 400
Id. No.	5318610	5318839	5318839	5319684	5319832	5319832
Serration	1/16" x 90°	1/16" x 90°	1/16" x 90°	1/16" x 90°	3/32" x 90°	3/32" x 90°
B	120	140	140	180	330	330
B1	40	64	64	50	190	190
D	165	200	200	250	440	440
H	60	60	60	70	85	85
L	60	70	70	80	155	155
N	14	17	17	21	25.5	25.5
a	25	35	35	30	85	85
b	22	22	22	29	35	35
kg / set	7.1	10.3	10.3	18.3	71	71

SBA-D (INCH SERRATION) Soft pie jaws aluminium light version



Centco4	210-52	260-72	315-92	400-112	500-115	630-165
Jaw type	SBA-D 165	SBA-D 200	SBA-D 200	SBA-D 250	SBA-D 400	SBA-D 400
Id. No.	5318609	5318840	5318840	5319685	5319833	5319833
Serration	1/16" x 90°	1/16" x 90°	1/16" x 90°	1/16" x 90°	3/32" x 90°	3/32" x 90°
B	110	120	120	160	330	330
B1	40	40	40	50	190	190
D	165	200	200	250	440	440
H	58	58	58	78	98	98
L	58	72.5	72.5	87.5	160	160
N	14	17	17	21	25.5	25.5
a	25	35	35	40	85	85
b	20	22	22	29	35	35
kg / set	2.4	3.7	3.7	7.2	32	32

* Attention: The values are calculated theoretical values only at 1 mm clamping stroke and 1 mm residual jaw stroke. SMW-AUTOBLOK is recommending not to clamp any diameters, that are larger than the chuck O.D.

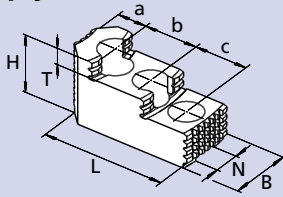
If you have any questions, please do not hesitate to contact our customer service.

** Not larger than Chuck O.D.

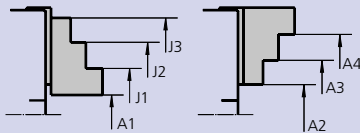
■ Jaws*

METRIC SERRATION

MHB-M (METRIC SERRATION)
Hardened reversible
top jaws

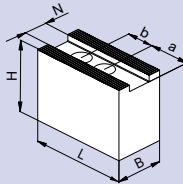


Clamping ranges



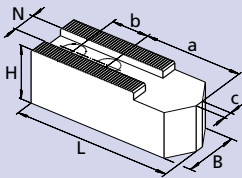
Centco4	210-52	260-72	315-92
Jaw type	MHB-M 140/4	MHB-M 140/4	MHB-M 140/4
Id. No.	12082129	12082129	12082129
Serration	1.5 x 60°	1.5 x 60°	1.5 x 60°
B	40	40	40
H	45	45	45
L	86	86	86
T	10.5	10.5	10.5
N	14	14	14
a	19	19	19
b	25	25	25
c	25	25	25
kg / set	2.4	2.4	2.4
A1	23.5 - 61.5	55 - 112	60.5 - 167
A2	-	-	-
A3	78.5 - 116	109.5 - 166	115 - 220
A4	153.5 - 191	185 - 242	191 - 296
J1	79 - 113.5	108 - 163	113 - 218
J2	150.5 - 187.5	181.5 - 238	186.5 - 293
J3	196 - 210**	227 - 260**	232.5 - 315**

WBJ-M (METRIC SERRATION)
Soft top jaws
Tall version



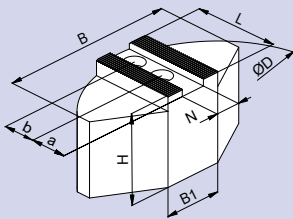
Centco4	210-52	260-72	315-92
Jaw type	WBJ-M 1403/4	WBJ-M 1403/4	WBJ-M 1403/4
Id. No.	5311479	5311479	5311479
Serration	1.5 x 60°	1.5 x 60°	1.5 x 60°
B	40	40	40
H	60	60	60
L	90	90	90
N	14	14	14
a	45	45	45
b	25	25	25
kg / set	3.6	3.6	3.6

AWB-M (METRIC SERRATION)
Soft top jaws



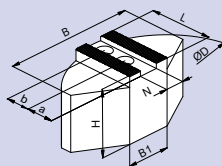
Centco4	210-52	260-72	315-92
Jaw type	AWB-M 1401/4	AWB-M 1401/4	AWB-M 1401/4
Id. No.	5311476	5311476	5311476
Serration	1.5 x 60°	1.5 x 60°	1.5 x 60°
B	35	35	35
H	40	40	40
L	102	102	102
N	14	14	14
a	57	57	57
b	25	25	25
c	4	4	4
kg / set	3.5	3.5	3.5

SBJ-M (METRIC SERRATION)
Soft pie jaws



Centco4	210-52	260-72	315-92
Jaw type	SBJ-M 200/4	SBJ-M 200/4	SBJ-M 200/4
Id. No.	5311478	5311478	5311478
Serration	1.5 x 60°	1.5 x 60°	1.5 x 60°
B	140	140	140
B1	70	70	70
D	200	200	200
H	60	60	60
L	70	70	70
N	14	14	14
a	30	30	30
b	25	25	25
kg / set	12	12	12

SBJ-MA (METRIC SERRATION)
Soft pie jaws
aluminium
Light version



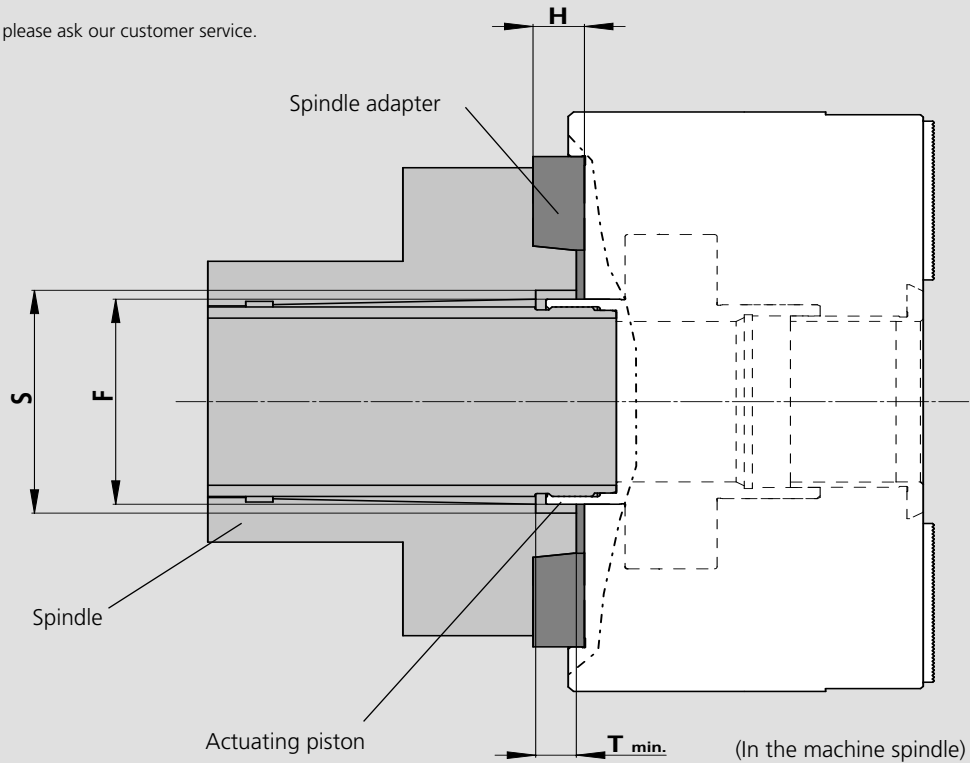
Centco4	210-52	260-72	315-92
Jaw type	SBJ-MA 200/4	SBJ-MA 200/4	SBJ-MA 200/4
Id. No.	5311477	5311477	5311477
Serration	1.5 x 60°	1.5 x 60°	1.5 x 60°
B	140	140	140
B1	50	50	50
D	200	200	200
H	58	58	58
L	75	75	75
N	14	14	14
a	35	35	35
b	25	25	25
kg / set	4.1	4.1	4.1

* Attention: The values are calculated theoretical values only at 1 mm clamping stroke and 1 mm residual jaw stroke. SMW-AUTOBLOK is recommending not to clamp any diameters, that are larger than the chuck O.D.

If you have any questions, please do not hesitate to contact our customer service.

** Not larger than Chuck O.D.

Subject to technical changes.
For more detailed information please ask our customer service.

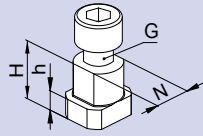


Base chuck type Centco4 D / M	Spindle mounting	Actuating piston dia. F [mm]	Clearance - dia. S [mm]	Clearance - depth T min. [mm]*	Id. No. Spindle adapter	Spindle adapter height H [mm]	Order review ASA	
							Id. No. cpl. Chuck + Spindle adapter inch serration D	Id. No. cpl. Chuck + Spindle adapter metric serration M
210-52-Z170	A06	68	> 68	14	24162000	17	163842	163844
			< 68	-	24162110	40	163843	163845
260-72-Z220	A06	92	< 92	-	24162532	50	163874	163877
	A08	92	> 92	17	24182500	19	163875	163878
< 92			-	24182520	43	163876	163879	
315-92-Z300	A08	115	> 115	10	24183100	30	163880	163885
			< 115	-	24184000	40	163881	163886
	A11	115	> 115	20	24113100	21	163882	163887
			< 115	-	2704390	44	163883	163888
400-112-Z300	A11	142	< 142	-	2704390	44	163890	-
400-112-Z380	A11	142	> 142	2	24115000	40	163891	-
			< 142	-	2704391	44	163892	-
	A15	142	> 142	23	24125000	23	163893	-
			< 142	-	2704392	47	163894	-
500-155-Z380	A11	178	> 178	8	24115000	40	163895	-
			< 178	-	2704606	50	163896	-
	A15	178	> 178	26.5	24125000	23	163897	-
			< 178	-	273765	50	163898	-
630-165-Z380	A11	188	> 188	8	24115000	40	163899	-
			< 188	-	2704606	50	163900	-
	A15	188	> 188	26.5	24125000	23	163901	-
			< 188	-	273765	50	163902	-

* to clear the axial stroke of the actuating piston (see „technical details piston stroke“ K)

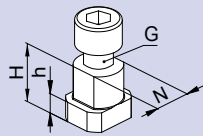
- T-Nuts
- Covers for through-hole

NST T-nuts suitable for Centco4-D



Centco4	210-52	260-72	315-92	400-112	500-155	630-165	
T-nut type	NST14	NST17	NST17	NST21	NST25	NST25	
Id. No.	163134	016021	016021	014788	014812	014812	
N	14	17	17	21	25.5	25.5	
H	20	23	23	27	29	29	
h	7.5	9	9	10	11	11	
Cyl.-screw ISO 4762-12.9	G	M10 x 25	M12 x 30	M12 x 30	M16 x 35	M20 x 40	M20 x 40
Torque Md max. (Nm)	50	70	70	150	250	250	

NST T-nuts suitable for Centco4-M



Centco4	210-52	260-72	315-92	
T-nut type	NST17/14	NST17/14	NST17/14	
Id. No.	036976	036976	036976	
N	14	14	14	
H	20.5	20.5	20.5	
h	-	-	-	
Cyl.-screw ISO 4762-12.9	G	M12 x 25	M12 x 25	M12 x 25
Torque Md max. (Nm)	70	70	70	

cover for through-hole



Centco4	210-52	260-72	315-92	400-112	500-155	630-165
Id. No.	163135	163136	163137	163138	163584	163585

**Important for maintenance and safe operation,
to be ordered with the chuck**

Grease K67

Special grease for
manual and power chucks



Cartridge 14 Oz. (DIN 1284)
Grease content 500 g
Id. No. 10731223

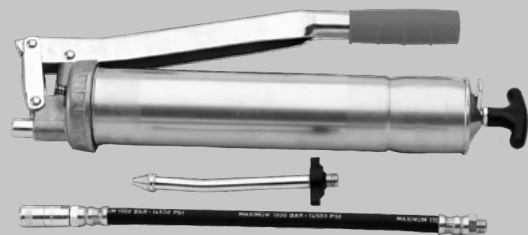
Can 1000 g
Id. No. 10731224



- High adhesion
- High resistance against coolant
- High load bearing capacity
- Low friction coefficient
- Avoids tribocorrosion

Grease gun

Grease gun (DIN 1283) for
cartridges 14 Oz. (DIN 1284)



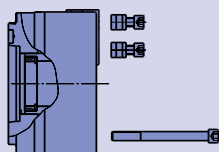
Lubrication set Id. No. 083726

Supply range

- Grease gun
- 1 Adapter flexible for high pressure grease nipple
- 1 Adapter for cone grease nipple

Ordering review Centco4-D (inch serration)

Centco4-D



Supply range:

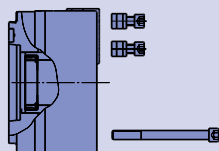
- Chuck + mounting bolts
- 8 pieces T-nuts with bolts

Spindle mounting / Flange height (*)	Size					
	Centco4-D 210-52	Centco4-D 260-72	Centco4-D 315-92	Centco4-D 400-112	Centco4-D 500-155	Centco4-D 630-165
Centering rim small	-	-	-	Z 300 163175	-	-
Centering rim large	Z 170 163120	Z 220 162780	Z 300 163140	Z 380 163160	Z 380 163580	Z 380 163770
A 06 (17**)	163842	-	-	-	-	-
A 06 (40**)	163843	-	-	-	-	-
A 06 (50**)	-	163874	-	-	-	-
A 08 (19**)	-	163875	-	-	-	-
A 08 (30**)	-	-	163880	-	-	-
A 08 (40**)	-	-	163881	-	-	-
A 08 (43**)	-	163876	-	-	-	-
A 11 (21**)	-	-	163882	-	-	-
A 11 (30**)	-	-	163883	-	-	-
A 11 (40**)	-	-	-	163891	163895	163899
A 11 (44**)	-	-	163884	163890	-	-
A 11 (44**)	-	-	-	163892*	-	-
A 11 (50**)	-	-	-	-	163896	163900
A 15 (23**)	-	-	-	163893	163897	163901
A 15 (47**)	-	-	-	163894	-	-
A 15 (50**)	-	-	-	-	163898	163902

* With base chuck Centco4-400-112-Z380

Ordering review Centco4-M (metric serration)

Centco4-M



Supply range:

- Chuck + mounting bolts
- 8 pieces T-nuts with bolts

Spindle mounting / Flange height (*)	Size		
	Centco4-M 210-52	Centco4-M 260-72	Centco4-M 315-92
Centering rim small	-	-	-
Centering rim large	Z 170 163795	Z 220 162795	Z 300 163797
A 06 (17**)	163844	-	-
A 06 (40**)	163845	-	-
A 06 (50**)	-	163877	-
A 08 (19**)	-	163878	-
A 08 (30**)	-	-	163885
A 08 (40**)	-	-	163886
A 08 (43**)	-	163879	-
A 11 (21**)	-	-	163887
A 11 (30**)	-	-	163888
A 11 (44**)	-	-	163889

** Refers to height of spindle flange see page „flanges“

Quick jaw change power chucks



KNCS®-N

QUICK JAW CHANGE

Quick jaw change power chucks
Ø 140 - 630 mm

- Large through-hole
- High speed
- High flexibility: Jaws radially adjustable / reversible
- 3 jaws

Page 132



KNCS®-N

QUICK JAW CHANGE

Quick jaw change power chucks
Ø 210 - 325 mm

- Large through-hole
- High speed
- High flexibility: Jaws radially adjustable / reversible
- 2 jaws

Page 142



KNCS®-NB

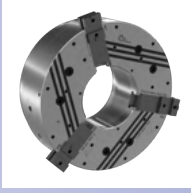
QUICK JAW CHANGE

Wide master jaws

Quick jaw change power chucks
Ø 210 - 800 mm

- Large through-hole
- High flexibility: Jaws radially adjustable / reversible
- 3 jaws
- Suitable to take any type of existing top jaws

Page 146



KNCS®-NBX

QUICK JAW CHANGE

Wide master jaws - EXTRA LARGE through-hole

Quick jaw change power chucks
Ø 425 - 1000 mm

- EXTRA large through-hole
- EXTRA long piston guide
- High flexibility: Jaws radially adjustable / reversible
- 3 jaws
- Suitable to take any type of existing top jaws

Page 146



KNCS-2G

QUICK JAW CHANGE

Fully sealed

Quick jaw change power chucks
Ø 170 - 630 mm

- Large through-hole
- Protection against dust and swarf
- High flexibility: Jaws radially adjustable / reversible
- 3 Jaws

Page 154



KNCS-NB-CL

QUICK JAW CHANGE

Wide master jaws - Radial fine adjustment

Quick jaw change power chucks
Ø 630 mm

- Large through-hole
- High flexibility: Jaws radially adjustable / reversible
- Integrated fine adjustment
- Suitable to take any type of existing top jaws

Page 160



AP-RC

QUICK JAW CHANGE TONGUE & GROOVE

AP-RD

QUICK JAW CHANGE SERRATION

High precision fully sealed power chucks
Ø 170 - 400 mm

- Closed center
- 3 jaws
- **proofline® chucks** = fully sealed – low maintenance

Page 162



NT-RC

QUICK JAW CHANGE TONGUE & GROOVE

NT-RD

QUICK JAW CHANGE SERRATION

High precision fully sealed power chucks
Ø 170 - 400 mm

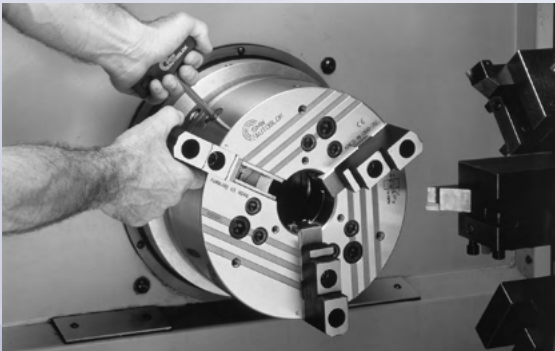
- Centrifugal force compensation
- Closed center
- 3 jaws
- **proofline® chucks** = fully sealed – low maintenance

Page 164

Fast changeover, fast payback:

The original quick jaw change power chuck

KNCS®-N



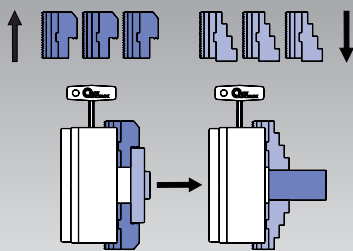
Easy lubrication even on vertical machines with 3 radial built-in grease fittings

Extra long, symmetrical jaw guides. Ideal for O.D. or I.D. clamping

Unique **wedge bar drive for high speed**. Minimum loss in gripping force because of tangentially supported wedge bars. Minimum increase of gripping force (**hysteresis**) after quick spindle stop. **High efficiency** of the wedge bar drive ensures highest concentricity and **repeatability**. Suitable for **high-low clamping**

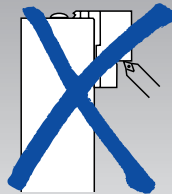
Minimal set-up times

Jaw change in less than 1 minute

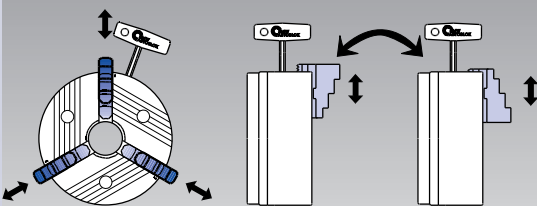


High repeatability when changing jaws

No reboring of already machined jaws necessary, because runout < 0.02 mm (KNCS-N 210)



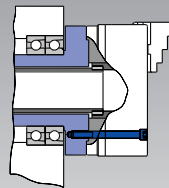
Flexibility jaws can be radially adjusted and are reversible = **less jaw sets**



Jaws radially adjustable

Jaws 180° reversed

Direct mounting



Recess and bolt circle to DIN 55026

Original SMW-AUTOBLOK quick **jaw change**. **Jaw change accuracy** with patented **jaw safety interlock**

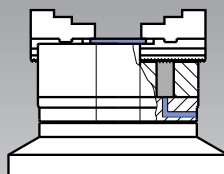
Profitability

Example set-up times / costs

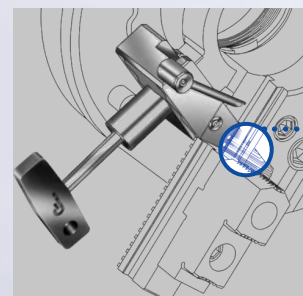
	Conventional chuck	KNCS®-N
Jaw change	10 Min.	1 Min.
Reboring of jaws	20 Min.	0 Min.
Ø jaw changes / day	2	2
Working days / year	230	230
Machine costs / hour	\$ 60.-	\$ 60.-
Total costs / year	\$ 13 800.-	\$ 460.-
Profit*		\$ 13 340.-

* If jaws are changed more often, the profitability is increased accordingly

Vertical application



Version for vertical application with cover and drain holes for coolant available.



If serration is not fully engaged – jaw safety interlock is active

Clamping glossary

Case hardening: The surface of the components is hardened (60 HRC) to a depth of about 1 mm (0.04"). The core shows a high tensile strength and toughness. Compared to partial inductive hardened and nitrided parts the rigidity and the resistance against wear is greatly increased.

Efficiency: The ratio between the calculated theoretical gripping force (disregarding friction) and the actual (measured) gripping force.

High-low clamping: For easily deformable components. High gripping forces for the rough cut are reduced to low gripping forces for the finish cut without unchucking. This means less deformation on the finished components. Contrarily to wedge hook chucks the **KNCS-N** wedge bar drive is suitable for high-low clamping.

Hysteresis: At high speeds the chuck body "grows" due to centrifugal force. The draw-pull of the clamping cylinder causes an increase in gripping force which cannot be decreased at a quick spindle stop (or change in speed). This can cause deformation at easily deformed parts. **KNCS-N** chucks with wedge bar drive have a very low hysteresis.

Jaw change accuracy: The centering accuracy after a jaw change with once already bored / ground jaws on the chuck. The clamping force on the **KNCS-N** is transmitted via the wedge bar drive.

The engaging / disengaging of the jaws is done by an additional tangential movement of the wedge bars. This proven and patented design with

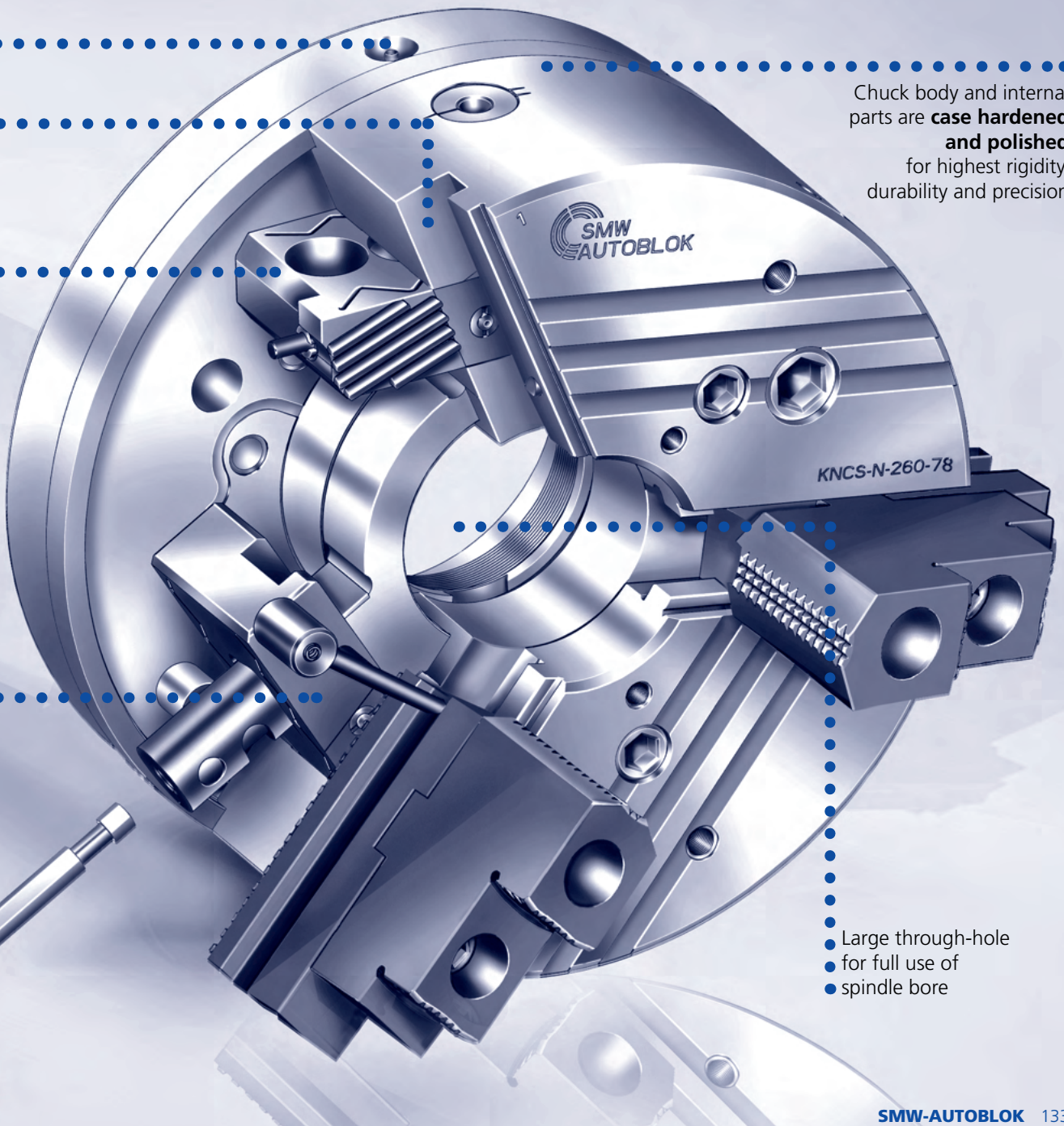
self-acting cleaning of the serration offers a constant high jaw change accuracy after jaw changing.

Jaw safety interlock: At quick jaw change chucks the transmission of the gripping force to the interchangeable clamping jaws is done via a serration. With existing chuck designs misoperation by the operator can cause danger to man and machine if the jaw is not inserted correctly i.e. the serration is not fully engaged.

The **KNCS-N** is equipped with a unique safety interlock: The built-in safety interlock eliminates misoperation.

Repeatability: The centering accuracy of the chuck equipped with one set of jaws starting from the first up to the last component of a batch. Due to the wedge bar drive **KNCS-N** chucks offer a much higher repeatability compared to wedge hook chucks.

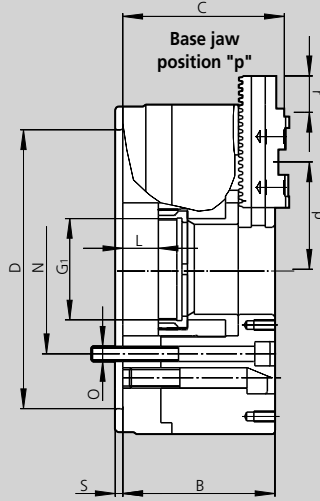
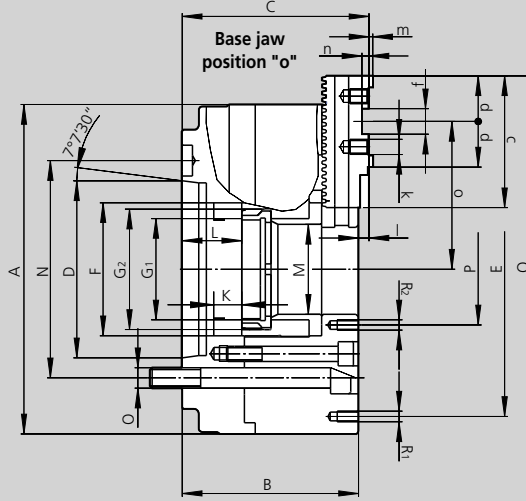
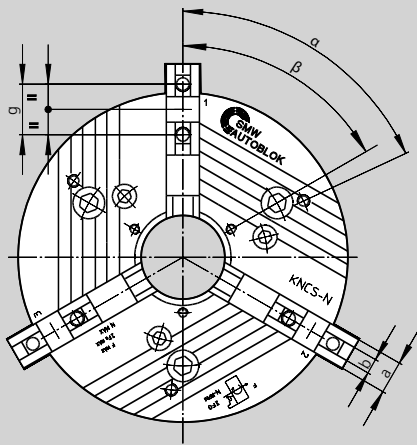
Wedge bar drive: The chuck is driven by tangentially mounted wedge bars. This design allows highest repeatability and rigidity. These chucks have very low loss in gripping force due to centrifugal force. The design does not require counter balance weights which allows highest speeds without vibration.



Chuck body and internal parts are **case hardened and polished** for highest rigidity, durability and precision

- Large through-hole
- for full use of spindle bore

Jaw position: open position for external clamping



Subject to technical changes.
For more detailed information please ask our customer service.

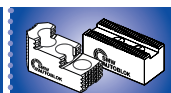
SMW-AUTOBLOK Type	140-35			170-43			210-52			225-66			260-78				275-86			
Mounting	Size	Z120	A5	Z140	A5	A6	Z170	A6	A8	Z170	A6	A8	Z170	Z220	A6	A8	Z220	A6*	A8	
	A	145			175			215			225			260				275		
	B	87	103	98	113	115	105	122	124	105	122	124	120	120	137	139	120	144	139	
	C	93.9	109.9	104.9	119.9	121.9	109.9	126.9	128.9	109.9	126.9	128.9	128.3	128.3	145.3	147.3	128.3	152.3	147.3	
	D H6	120	82.57	140	82.57	106.39	170	106.39	139.73	170	106.39	139.73	170	220	106.39	139.73	220	106.39	139.73	
	E	122			152			168			180			210				210		
	F	52			67			85			95			111				122		
Rotating ring nut / depth	G1	- **			M50 x 1.5 / 18**			M60 x 1.5 / 16			M75 x 1.5 / 16			M90 x 2 / 20				M95 x 2 / 20		
Piston thread / depth	G2	M45 x 1.5 / 18			M60 x 1.5 / 18			M75 x 2 / 19			M85 x 2 / 19			M102 x 2 / 23				M110 x 2 / 23		
Piston stroke	K	20			20 / 25			22 / 25			22 / 25			25 / 28				25 / 28		
Max.	L	20	36	25	40	42	25	42	44	25	42	44	28	28	45	47	28	52	47	
	M	35			43			52			66			78				86		
Fixing bolt circle	N	104.8	104.8	104.8	104.8	133.4	133.4	133.4	171.4	133.4	133.4	171.4	133.4	171.4	133.4	171.4	171.4	133.4	171.4	
Fixing bolt	O	M10	M10	M10	M10	M12	M12	M12	M16	M12	M12	M16	M12	M16	M12	M16	M16	M12	M16	
	P	65			75			72			82			95				105		
	Q	166			195			261			271			307				321		
Thread / thread depth	R1	M8 / 12			M8 / 12			M10 / 12			M10 / 12			M10 / 12				M10 / 18		
Thread / thread depth	R2	M5 / 10			M5 / 10			M6 / 10			M6 / 10			M8 / 16				M8 / 14		
	S	6			6			6			6			6				6		
	a	20			20			22			22			26				26		
	b f7	8			8			10			10			12				12		
	c	56			65			85			85			104				104		
	d	28			28			33			33			36				36		
	f H7	18			18			20			20			20				20		
	g	32			32			40			40			40				40		
Thread / thread depth	k	M8 / 12			M8 / 12			M8 / 13			M8 / 13			M12 / 15				M12 / 15		
	l	6.9			6.9			4.9			4.9			8.3				8.3		
	m	2.5			2.5			2.5			2.5			3				3		
	n	5			5			4.5			4.5			5.5				5.5		
Max. / min.	o	54/39.9			69 / 50.2			96.6 / 68.3			102 / 69			116.6 / 83.6				124 / 85.5		
Max. / min.	p	54/39.9			60 / 41.2			77.6 / 49.3			83 / 50			84.6 / 51.6				92 / 53.5		
Base jaw tooth pitch	-	4.7			4.7			4.7			4.7			5.5				5.5		
Base jaw offset	r	14.1			18.8			28.3			33			33				38.5		
Number of teeth	teeth	3			4			6			7			6				7		
α	deg.	95			90			60			60			60				60		
β	deg.	60			60			60			60			60				60		
Stroke per jaw at piston stroke K	mm	5.1			6.0			6.0			6.0			7.0				7.0		
Stroke per jaw at piston stroke K max.	mm	5.1	20	6.8	25	7.0	25	7.0	25	7.0	25	8.0	28	8.0	28	8.0	28	8.0	28	
Max. actuating force 3-jaw chuck	kN	25			32			53			53			70				70		
Max. total gripping force 3-jaw chuck	kN	47			60			100			100			135				135		
Max. speed 3-jaw chuck	r.p.m.	6500			6300			6000			5500			4700				4700		
Weight without jaws	kg	9	9.6	14	15	15	24	26	26	26	29	29	40	40	43	43	48	53	50.7	
Moment of inertia	kg·m ²	0.024			0.06			0.11			0.2			0.38				0.41		
Rec. closed center cyl.	Type	SIN-S 100			SIN-S 100 / 125			SIN-S 125 / 150			SIN-S 125 / 150			SIN-S 150 / 175				SIN-S 150 / 175		
Rec. open center cyl.	Type	VNK-T2 70-32			VNK-T2 102-46			VNK-T2 130-52			VNK-T2 150-67			VNK-T2 170-77				VNK-T2 225-95		

* Indirect mounting.

** KNCS-N 140-35 and KNCS-N 170-43 are available with fixed ring nut only.



SMW-AUTOBLOK
460



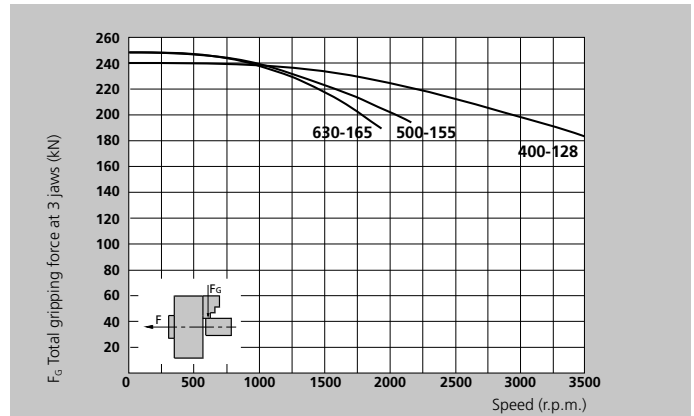
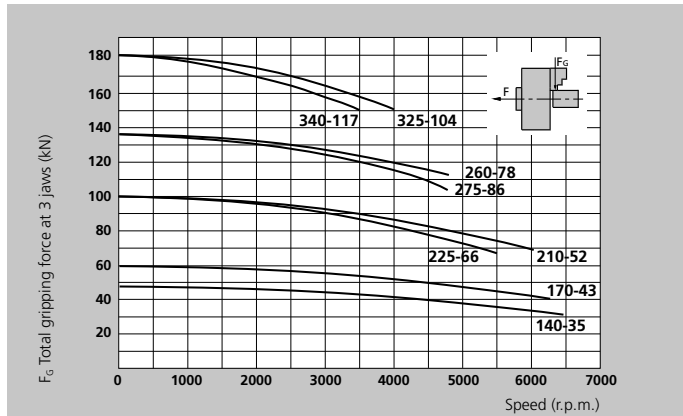
SMW-AUTOBLOK
137



SMW-AUTOBLOK
321

Main dimensions and technical data

Actual gripping force diagrams



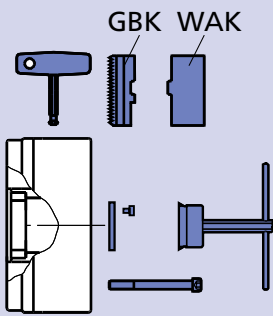
The data in the diagrams refer to 3-jaw chucks, newly maintained according to their service manuals using SMW-AUTOBLOK K05 grease. The static and dynamic gripping forces have been measured using standard soft top jaws, placed in a position not exceeding the outer diameter of the chuck.

⚠ Safety advice / danger of damage:

When using taller / heavier jaws and / or clamping on a bigger diameter reduce draw pull / rotating speed accordingly.

SMW-AUTOBLOK Type		325-104				340-117			400-128				500-155				630-165	
Mounting	Size	Z220	Z300	A8	A11	Z300	A8*	A11	Z300	Z380	A11	A15	Z300	Z380	A11	A15	Z380	A15
	A	324				340			400				500				630	
	B	130	130	149	151	130	160	151	140	140	161	163	174	174	195	197	174	197
	C	139.2	139.2	158.2	160.2	139.3	169.3	160.4	149.2	149.2	170.2	172.2	184	184	205	207	184	207
	D H6	220	300	139.73	196.88	300	139.73	196.88	300	380	196.88	285.77	300	380	196.88	285.77	380	285.77
	E	268				270			330				420				585	
	F	144				160			180				207				217	
Rotating ring nut / depth	G1	M115 x 2 / 22				M125 x 2 / 22			M138 x 2 / 22				M165 x 2 / 25				M175 x 2 / 25	
Piston thread / depth	G2	M132 x 2 / 25				M146 x 2 / 25			M160 x 2 / 25				M185 x 2 / 28				M195 x 2 / 28	
Piston stroke	K	25/28				25/28			32				42				42	
Max.	L	28	28	47	49	28	58	49	32	32	53	55	42	42	63	65	42	65
	M	104				117			128				155				165	
Fixing bolt circle	N	171.4	235	171.4	235	235	171.4	235	235	330.2	235	330.2	235	330.2	235	330.2	330.2	330.2
Fixing bolt	O	M16	M20	M16	M20	M20	M16	M20	M20	M24	M20	M24	M20	M24	M20	M24	M24	M24
	P	130				140			152				180				195	
	Q	385				400			452				552				643	
Thread / thread depth	R1	M10 / 16				M10 / 16			M12 / 18				M16 / 25				M16 / 25	
Thread / thread depth	R2	M10 / 16				M10 / 16			M12 / 18				M12 / 18				M12 / 18	
	S	6				6			8				8				8	
	a	32				32			32				45				45	
	b f7	12				12			12				18				18	
	c	115				115			125				160				200	
	d	36				36			43				50				50	
	f H7	20				20			26				30				30	
	g	40				40			54				60				60	
Thread / thread depth	k	M12 / 17				M12 / 17			M12 / 17				M16 / 34				M16 / 34	
	l	9.3				9.3			9.3				10				10	
	m	3				3			3				4				4	
	n	6				6			7				9				9	
Max. / min.	o	155.7 / 106.2				163.2 / 113.7			182.3 / 121.8				225 / 141				270.5 / 179.5	
Max. / min.	p	111.7 / 62.2				119.2 / 69.7			143.3 / 82.2				164 / 80				170.5 / 79.5	
Base jaw tooth pitch	-	5.5				5.5			5.5				7				7	
Base jaw offset	r	49.5				49.5			60.5				84				91	
Number of teeth	teeth	9				9			11				12				13	
α	deg.	60 / 35				60 / 35			20 / 9 x 40				20 / 9 x 40				20 / 9 x 40	
β	deg.	60 / 35				60 / 35			20 / 9 x 40				20 / 9 x 40				20 / 9 x 40	
Stroke per jaw at piston stroke K	mm	7.0				7.0												
Stroke per jaw at piston stroke K max.	mm	8.0				8.0			8.0				10.0				10.0	
Max. actuating force 3-jaw chuck	kN	95				95			115				120				120	
Max. total gripping force 3-jaw chuck	kN	180				180			240				250				250	
Max. speed 3-jaw chuck	r.p.m.	4000				3500			3500				2200				1700	
Weight without jaws	kg	65	65	68	68	77	88.5	82.5	111	111	116	116	225	225	231	231	390	398
Moment of inertia	kg·m ²	1.2				1.24			2.5				6.5				18	
Rec. closed center cyl.	Type	SIN-S 150 / 175 / 200				SIN-S 150 / 175 / 200			SIN-S 175 / 200				SIN-S 175 / 200				SIN-S 175 / 200	
Rec. open center cyl.	Type	VNK-T2 250-110				VNK-T2 320-127			VNK-T2 320-127				VSG 450-165				VSG 450-165	

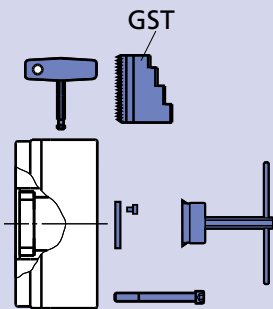
* Indirect mounting.



Supply range:

Chuck + key + mounting bolts + mounting key (from diameter 210)
+ 1 set hardened base jaws type GBK + 1 set soft top jaws type WAK
+ 1 set of coverplates

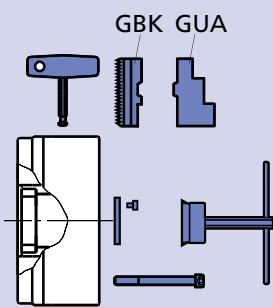
Spindle mounting	Size	KNCS-N 140-35	KNCS-N 170-43	KNCS-N 210-52	KNCS-N 225-66	KNCS-N 260-78	KNCS-N 275-86	KNCS-N 325-104	KNCS-N 340-117	KNCS-N 400-128	KNCS-N 500-155	KNCS-N 630-165
Centering rim small						Z 170 088900		Z 220 088912		Z 300 088822	Z 300 088889	
Centering rim large		Z 120 088800	Z 140 088802	Z 170 088806	Z 170 088809	Z 220 088901	Z 220 067910	Z 300 088913	Z 300 067920	Z 380 088823	Z 380 088826	Z 380 088829
A 05		088801	088803									
A 06			088804	088807	088810	088902	067911					
A 08				088808	088811	088903	067912	088914	067921			
A 11								088915	067922	088824	088827	
A 15										088825	088828	088830



Supply range:

Chuck + key + mounting bolts + mounting key (from diameter 210)
+ 1 set hardened, reversible stepped monoblock jaws type GST, fine machined on chuck
+ 1 set of coverplates

Spindle mounting	Size	KNCS-N 140-35	KNCS-N 170-43	KNCS-N 210-52	KNCS-N 225-66	KNCS-N 260-78	KNCS-N 275-86	KNCS-N 325-104	KNCS-N 340-117	KNCS-N 400-128	KNCS-N 500-155	KNCS-N 630-165
Centering rim small						Z 170 088904		Z 220 088916		Z 300 088850	Z 300 088859	
Centering rim large		Z 120 088831	Z 140 088833	Z 170 088836	Z 170 088839	Z 220 088905	Z 220 067913	Z 300 088917	Z 300 067923	Z 380 088851	Z 380 088854	Z 380 088857
A 05		088832	088834									
A 06			088835	088837	088840	088906	067914					
A 08				088838	088841	088907	067915	088918	067924			
A 11								088919	067925	088852	088855	
A 15										088853	088856	088858



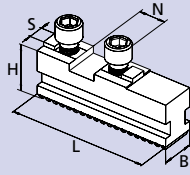
Supply range:

Chuck + key + mounting bolts + mounting key (from diameter 210)
+ 1 set hardened base jaws type GBK
+ 1 set hardened, reversible top jaws type GUA fine machined on chuck
+ 1 set of coverplates

Spindle mounting	Size	KNCS-N 140-35	KNCS-N 170-43	KNCS-N 210-52	KNCS-N 225-66	KNCS-N 260-78	KNCS-N 275-86	KNCS-N 325-104	KNCS-N 340-117	KNCS-N 400-128	KNCS-N 500-155	KNCS-N 630-165
Centering rim small						Z 170 088908		Z 220 088920		Z 300 088879	Z 300 088888	
Centering rim large		Z 120 088860	Z 140 088862	Z 170 088865	Z 170 088868	Z 220 088909	Z 220 067916	Z 300 088921	Z 300 067926	Z 380 088880	Z 380 088883	Z 380 088886
A 05		088861	088863									
A 06			088864	088866	088869	088910	067917					
A 08				088867	088870	088911	067918	088922	067927			
A 11								088923	067928	088881	088884	
A 15										088882	088885	088887

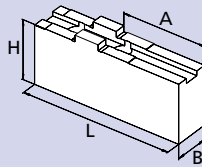
Base jaws and top jaws

GBK Hardened base jaws



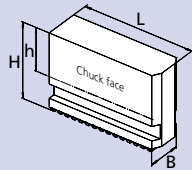
KNCS-N	140	170	210	225	260	275	325	340	400	500	630
Jaw type	GBK 140	GBK 160	GBK 200	GBK 200	GBK 250	GBK 250	GBK 315	GBK 315	GBK 400	GBK 500	GBK 630
Id. No.	012438	012439	012440	012440	012441	012441	012442	012442	012443	012444	012445
B	20	20	22	22	26	26	32	32	32	45	45
H	27.5	27.5	29.5	29.5	37	37	43	43	43	57	57
L	56	65	85	85	104	104	115	115	125	160	200
N	18	18	20	20	20	20	20	20	26	30	30
S	8	8	10	10	12	12	12	12	12	18	18
kg / set	0.6	0.7	1.0	1.0	1.8	1.8	2.7	2.7	3.0	7.1	9.0

WAK Soft top jaws



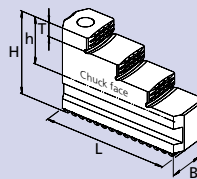
KNCS-N	140	170	210	225	260	275	325	340	400	500	630
Jaw type	WAK 140-10	WAK 160-10	WAK 200-10	WAK 200-10	WAK 250-10	WAK 250-10	WAK 250-10	WAK 250-10	WAK 400-10	WAK 500-10	WAK 500-10
Id. No.	012490	012491	012492	012492	012493	012493	012493	012493	012494	012495	012495
B	20	20	22	22	30	30	30	30	35	50	50
H	35.5	35.5	42	42	50	50	50	50	54	73	73
L	69	85	105	105	125	125	125	125	145	180	180
A	26	42	50	50	70	70	70	70	74	100	100
kg / set	0.9	1.2	2.0	2.0	3.6	3.6	3.6	3.6	5.8	13.7	13.7

UVB Soft monoblock jaws

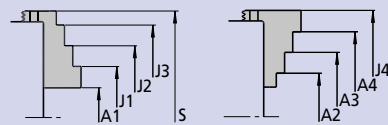


KNCS-N	140	170	210	225	260	275	325	340	400	500	630
Jaw type	UVB 140	UVB 160	UVB 200	UVB 200	UVB 250	UVB 250	UVB 315	UVB 315	UVB 400	UVB 500	UVB 630
Id. No.	012446	012447	012448	012448	012449	012449	012450	012450	012451	012452	012453
B	20	20	22	22	26	26	32	32	32	45	45
H	60	60	70	70	90	90	100	100	100	134	134
h	39.4	39.4	45	45	61	61	66	66	66	87	87
L	59.5	69	83	83	108	108	119	119	146.5	175	230
kg / set	1.5	1.8	2.8	2.8	5.5	5.5	8.2	8.2	10	23	30

GST Hardened stepped monoblock jaws



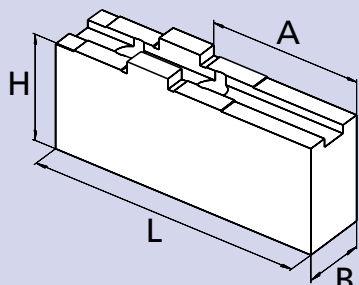
Gripping ranges



KNCS-N	140	170	210	225	260	275	325	340	400	500	630
Jaw type	GST 160-2	GST 170	GST 210	GST 210	GST 260	GST 260	GST 315	GST 315	GST 400	GST 500	GST 500
Id. No.	012454	035867	035863	035863	037623	037623	012457	012457	012458	012459	012459
B	20	20	22	22	26	26	32	32	32	45	45
H	43.5	43.5	51	51	60	60	66	66	70	93	93
h	22	22	26	26	31.3	31	32	32	36	46	46
L	58	67	84	84	100	100	116.2	116.2	136.4	175	175
T	7	7	8	8	10	10	10	10	11	20	20
kg / set	0.71	0.82	1.4	1.4	2.23	2.23	3.48	3.48	4.4	11.47	11.47
A1	5-40	6-59	10-85	12-96	10-98	14-113	37-148	46-141	48-173	70-225	38-220
A2	35-70	42-89	56-121	57-132	62-150	66-165	104-215	111-206	116-238	170-320	133-328
A3	66-101	73-120	96-161	97-172	111-200	115-215	160-271	166-261	184-308	315-470	276-458
A4	97-132	104-151	136-201	137-212	161-250	165-265	217-328	221-316	252-378	-	-
J1	39-72	44-78	60-134	62-144	63-149	67-164	91-202	106-196	118-243	-	-
J2	69-103	74-110	100-174	101-185	112-199	116-214	148-259	161-251	186-310	180-330	149-342
J3	99-134	105-141	140-214	141-225	161-249	165-264	205-316	216-308	253-378	325-475	297-492
J4	131-163	135-182	185-250	186-261	212-300	216-315	272-383	281-376	328-448	425-560	385-581
S	166	198	255	266	303	318	385	376	456	585	-

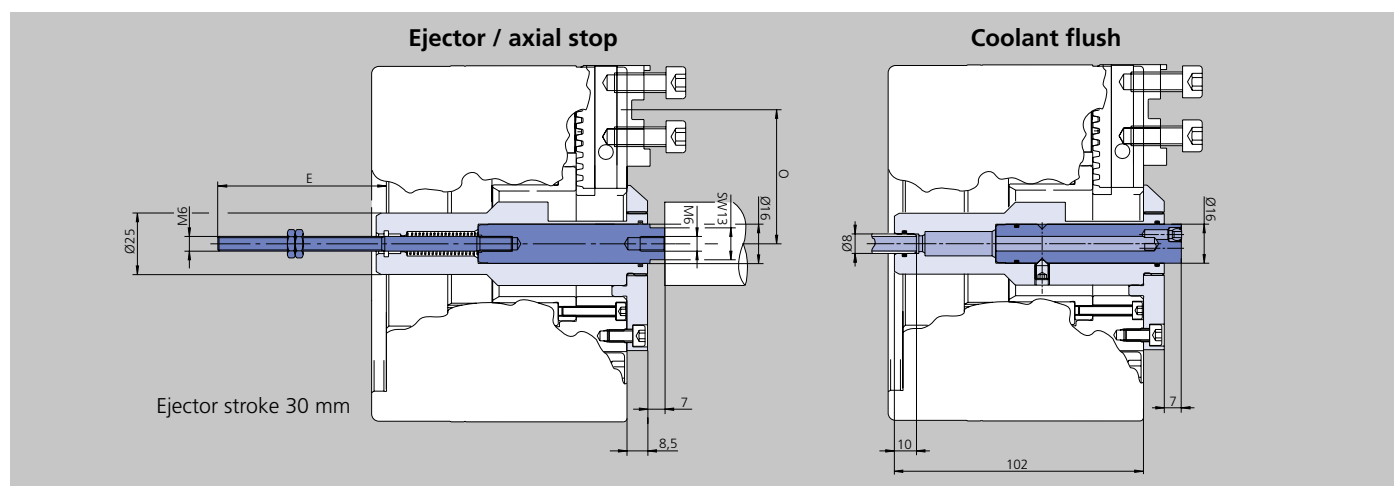
WAKS

Soft top jaws
Wide version



Type	Id. No.	B	H	L	A	kg / set	SMW-AUTOBLOK Chuck type
WAKS 140-10	012496	35	35.5	63	25	1.5	KNCS-N 140
WAKS 160-10	080931	25	45.5	85	42	1.8	KNCS-N 170
WAKS 160-20	080932	30	50.5	75	35	2.2	
WAKS 160-30	080933	35	75.5	70	26	3.4	
WAKS 200-10	080934	30	51	100	57	2.9	KNCS-N 210
WAKS 200-20	080935	30	66	100	45	3.4	KNCS-N 225
WAKS 200-30	012497	40	36	70	27	1.9	
WAKS 200-31	080936	40	56	85	43	3.9	KNCS-N 260 KNCS-N 275 KNCS-N 325 KNCS-N 340
WAKS 200-32	036733	40	76	95	52	5.8	
WAKS 250-10	080937	40	55	125	70	3.9	
WAKS 250-11	080938	40	75	125	70	7.5	
WAKS 250-12	080939	40	95	125	70	9.6	
WAKS 250-13	080940	40	115	125	70	11.5	
WAKS 250-20	012498	60	55	90	44	6.2	
WAKS 250-21	080942	60	55	110	60	7.6	
WAKS 250-22	080943	60	75	90	44	9.4	
WAKS 250-23	080944	60	75	110	60	11.5	
WAKS 250-30	012499	80	55	90	44	8.5	KNCS-N 400
WAKS 250-31	080945	80	75	110	60	14.1	
WAKS 400-10	080946	40	54	110	54	4.9	
WAKS 400-11	080947	40	54	145	89	6.7	
WAKS 400-12	080948	40	94	145	89	11.1	
WAKS 400-13	080949	40	114	145	89	13.5	
WAKS 400-14	080950	40	146	145	89	16.9	
WAKS 400-20	080951	60	54	110	54	7.6	
WAKS 400-21	080952	60	74	110	54	10.3	
WAKS 400-22	080953	60	94	110	54	14.1	
WAKS 400-30	012500	80	64	100	44	11.0	KNCS-N 500 KNCS-N 630
WAKS 500-10	080954	60	73	155	90	13.8	
WAKS 500-12	080956	60	113	155	90	19.5	
WAKS 500-20	080957	80	73	155	90	15.5	
WAKS 500-21	080958	80	93	155	90	26.3	
WAKS 500-30	012501	90	73	130	65	16.4	
WAKS 500-31	012502	100	73	150	85	20.0	

Accessories for KNCS-N / KNCS-NB chucks



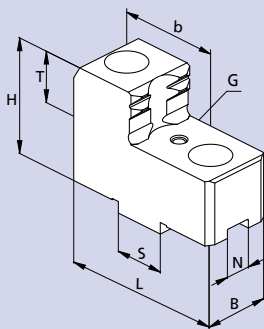
Technical data

SMW-AUTOBLOK Type		E	mm	KNCS-N 170-43	KNCS-N 210-52	KNCS-N 225-66	KNCS-N 260-78	KNCS-N 275-86
					KNCS-NB 210-52	KNCS-NB 225-66	KNCS-NB 260-78	KNCS-NB 275-86
Ejector		E	mm	68.5	61.5	61.5	46.5	46.5
Ejector	min. / max.	O	mm	69	68.3 / 77.8	73.7 / 83.1	88.6 / 105.1	91 / 113
Ejector / axial stop			Id. No.	174140	174142	273530	274140	175000
Coolant flush basic kit	min. / max.	O	mm	69	68.3 / 77.8	73.7 / 83.1	88.6 / 105.1	91 / 113
Coolant flush basic kit			Id. No.	175001	175002	273531	274141	175005
Coolant flush premium kit	min. / max.	O	mm	59.6 / 69	68.3 / 96.6	73.8 / 120	89.1 / 116.6	91 / 124
Coolant flush premium kit			Id. No.	176021	176022	273532	274142	176025

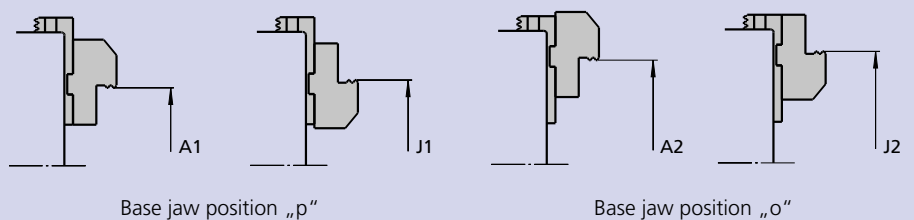
- Hard, reversible roughing top jaws
- Stop pins

Type	Id. No.	B	H	T	G	N	S	b	L	kg / set	SMW-AUTOBLOK Chuck type	Clamping range Ø		Clamping range Ø		
												external A ₁	internal J ₁	external A ₂	internal J ₂	
GGK 1751	012464	25	40	16	M5	8	18	32	64	0.91	KNCS-N 140	25-53	125-162	-	-	
GGK 1752	012465									68		0.92	36-56	128-168	-	-
GGK 1753	012466									60		0.88	55-81	101-135	-	-
GGK 1754	012467									56		0.80	80-105	75-109	-	-
GGK 1751	012464	25	40	16	M5	8	18	32	64	0.91	KNCS-N 170	25-62	133-171	33-80	155-190	
GGK 1752	012465									68		0.92	32-61	134-172	42-79	153-181
GGK 1753	012466									60		0.88	52-89	107-145	70-107	125-163
GGK 1754	012467									56		0.80	77-115	81-118	95-133	99-137
GGK 2001	012469	28	45	20	M5	10	20	40	88	1.52	KNCS-N 210	29-59	187-252	36-87	-	
GGK 2002	012470									66		1.28	57-122	121-186	94-150	158-215
GGK 2003	012471									66		1.19	93-149	85-140	131-187	122-178
GGK 2004	012472									87		1.39	152-208	62-100	189-246	72-137
GGK 2001	012469	28	45	20	M5	10	20	40	88	1.52	KNCS-N 225	30-69	-	45-106	-	
GGK 2002	012470									66		1.28	67-132	131-197	105-170	169-235
GGK 2003	012471									66		1.19	104-169	95-160	141-207	134-199
GGK 2004	012472									87		1.39	150-216	68-110	190-255	74-148
GGK 2501	012473	40	50	22	M6	12	20	40	94	2.38	KNCS-N 260	45-85	197-274	61-148	254-342	
GGK 2502	012474									72		2.08	78-154	132-208	141-218	195-272
GGK 2503	012475									78		2.19	107-184	109-175	159-247	152-238
GGK 2504	012476									110		2.88	-	-	-	80-156
GGK 2501	012473	40	50	22	M6	12	20	40	94	2.38	KNCS-N 275	49-100	201-289	65-163	258-357	
GGK 2502	012474									72		2.08	82-169	136-223	145-233	199-287
GGK 2503	012475									78		2.19	111-199	113-190	163-262	156-253
GGK 2504	012476									110		2.88	-	-	-	84-171
GGK 2501	012473	40	50	22	M6	12	20	40	94	2.38	KNCS-N 325	40-126	207-320	104-214	295-406	
GGK 2502	012474									72		2.08	86-196	138-248	173-284	225-336
GGK 2503	012475									78		2.19	115-226	109-218	203-314	196-306
GGK 2505	012477									98		2.49	197-285	78-164	261-371	139-249
GGK 2501	012473	40	50	22	M6	12	20	40	94	2.38	KNCS-N 340	60-126	236-326	-	326-396	
GGK 2502	012474									72		2.08	116-201	-	196-288	-
GGK 2503	012475									78		2.19	-	136-236	232-318	-
GGK 2504	012476									110		2.88	-	108-186	-	-
GGK 4001	012478	50	55	25	M8	12	26	54	104	KNCS-N 400	78-188	258-378	143-263	333-453		
GGK 4002	012479								91		3.58	-	140-263	258-378	-	
GGK 4003	012480								147		5.50	-	118-243	-	-	
GGK 5001	012481	60	74	35	M8	18	30	60	125	KNCS-N 500	100-210	280-420	210-350	415-560		
GGK 5002	012482								108		6.67	-	155-295	330-470	-	
GGK 5003	012483								136		4.96	-	100-240	-	-	
GGK 5001	012481	60	74	35	M8	18	30	60	125	KNCS-N 630	80-240	265-450	240-440	460-650		
GGK 5002	012482								108		6.67	-	140-320	380-560	-	

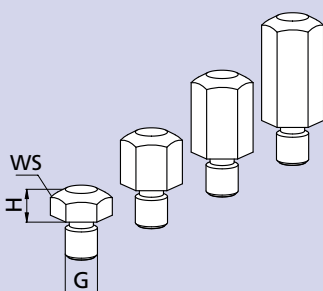
GGK Hard roughing jaw



GGK Clamping ranges



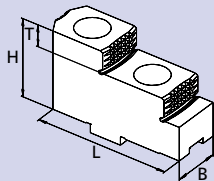
ALB Stop pins



SMW-AUTOBLOK Type	Id. No.	G	H	WS
ALB 505	016510	M5	5	10
ALB 510	016508		10	
ALB 515	016509		15	
ALB 605	016513	M6	5	10
ALB 610	016511		10	
ALB 615	016512		15	
ALB 620	017602		20	
ALB 805	017603	M8	5	13
ALB 810	016514		10	
ALB 815	016515		15	
ALB 820	016516		20	
ALB 825	081191		25	

GUA

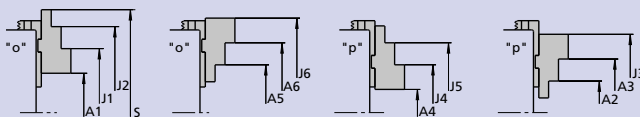
Hard reversible top jaws



Gripping ranges

Base jaw position "o"

Base jaw position "p"



KNCS-N	140	170	210	225	260	275	325	340	400	500	630
Jaw type	GUA 160	GUA 160	GUA 200	GUA 200	GUA 250	GUA 250	GUA 250	GUA 250	GUA 400	GUA 500	GUA 500
Id. No.	012484	012484	012485	012485	012486	012486	012486	012486	012487	012488	012488
B	20	20	22	22	30	30	30	30	36	45	45
H	32.5	32.5	39	38	50	50	50	50	56	73	70
L	63	63	72	72	90	90	90	90	105	130	130
T	7.5	7.5	10	10	14	14	14	14	15	20	20
kg / set	0.6	0.6	0.8	0.8	1.9	1.9	1.9	1.9	3.2	10.8	10.8
A1	17-42	32-69	55-111	65-131	73-150	77-165	118-228	146-231	138-258	153-339	232-430
A2	63-89	60-98	69-125	79-145	45-90	49-105	43-143	74-146	78-188	65-209	68-224
A3	88-115	85-123	96-152	106-172	125-170	129-185	124-223	156-226	186-298	185-329	188-344
A4	17-42	13-51	17-73	27-93	20-86	24-161	30-141	62-214	60-183	31-217	34-323
A5	63-89	78-116	104-163	117-183	76-154	80-169	120-230	146-231	143-268	145-331	224-422
A6	88-115	103-141	131-190	144-210	156-234	160-249	200-310	231-311	253-378	265-451	344-542
J1	77-101	91-129	117-174	128-194	152-229	156-244	198-308	228-311	218-338	258-444	337-535
J2	101-126	116-154	144-201	155-221	233-310	237-325	278-388	306-391	328-448	378-564	457-655
J3	146-172	144-181	158-215	169-235	204-249	208-264	202-302	234-306	263-380	290-434	293-449
J4	77-101	74-111	80-136	90-156	101-166	105-181	111-221	136-226	138-263	136-322	139-337
J5	101-126	99-136	107-163	117-183	180-246	184-261	191-301	224-306	248-373	256-442	259-457
J6	146-172	162-200	193-253	207-273	235-312	239-327	279-389	302-391	333-458	370-556	449-647
S	167	197	264	275	331	347	409	424	481	552	643

JAWS-CATALOG

Request or
download:
www.smw-autoblok.de



**Important for maintenance and safe operation,
to be ordered with the chuck**

Grease K05®

Special grease for
manual and power chucks



Cartridge 14 Oz. (DIN 1284)
Grease content 500 g
Id. No. 016440

Can 1000 g
Id. No. 011881



- High adhesion
- High resistance against coolant
- High load bearing capacity
- Low friction coefficient
- Avoids tribocorrosion

Grease gun

Grease gun (DIN 1283) for
cartridges 14 Oz. (DIN 1284)

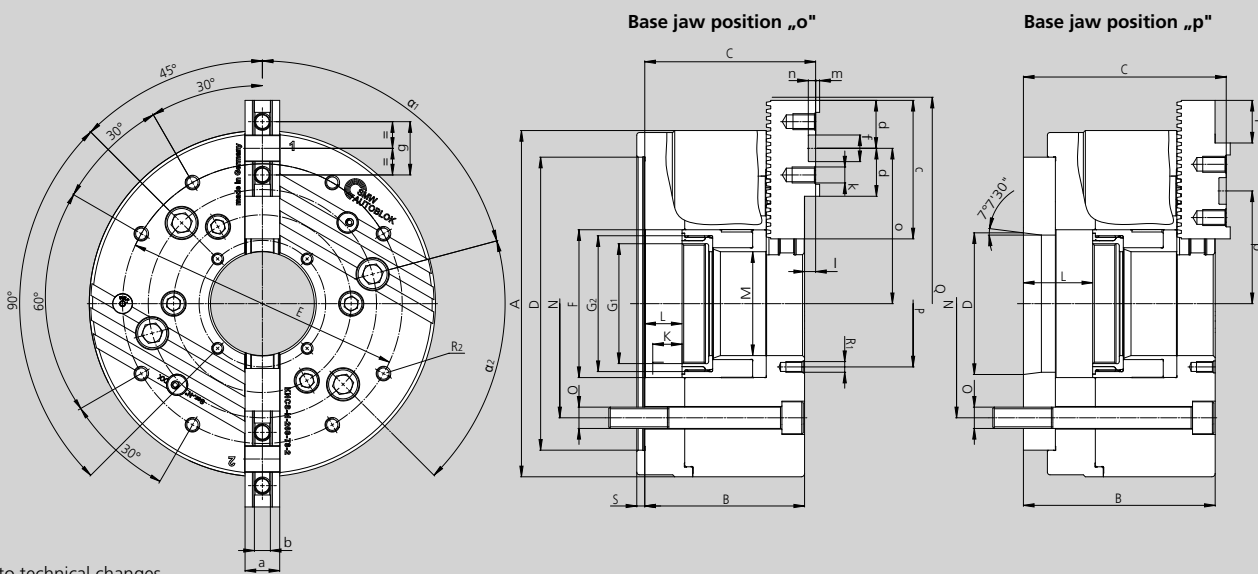


Lubrication set Id. No. 083726

Supply range

- Grease gun
- 1 Adapter flexible for high pressure grease nipple
- 1 Adapter for cone grease nipple

Jaw position: open position for external clamping

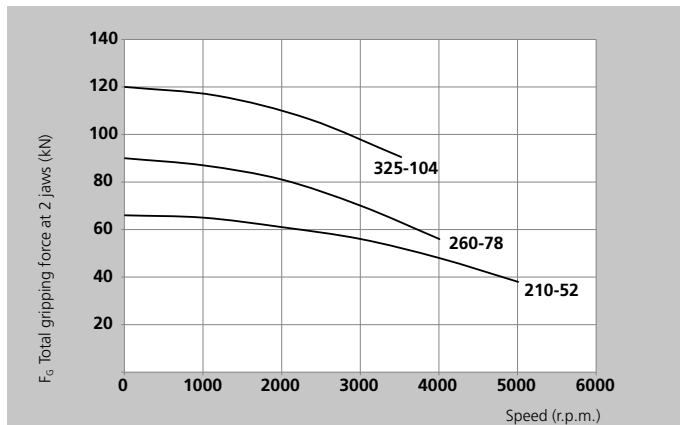


Subject to technical changes.
For more detailed information please ask our customer service.

SMW-AUTOBLOK Type		KNCS-N 210-52-2			KNCS-N 260-78-2				KNCS-N 325-104-2			
Mounting		Z170	A06	A08	Z170	Z220	A06	A08	Z220	Z300	A08	A11
	A	215			260				324			
	B	105	122	124	120	120	137	139	129.9	129.9	148.9	150.9
	C	109.9	126.9	128.9	128.3	128.3	145.3	147.3	139.2	139.2	158.2	160.2
	D H6	170	106.375	139.719	170	220	106.375	139.719	220	300	139.719	196.869
	E	168			210				268			
	F	85			111				144			
Rotating ring nut / depth	G1	M60 x 1.5 / 16			M90 x 2.0 / 20				M115 x 2.0 / 22			
Piston thread / depth	G2	M75 x 2.0 / 19			M102 x 2.0 / 23				M132 x 2.0 / 25			
Piston stroke	K	25			28				28			
Max.	L	25	42	44	28	28	45	47	28.1	28.1	47.1	49.1
	M	52			78				104			
Fixing bolt circle	N	133.4		171.4	133.4	171.4	133.4	171.4	171.4	235.0	171.4	235.0
Fixing bolt	O	M12		M16	M12	M16	M12	M16	M16	M20	M16	M20
	P	72			95				130			
Max. Ø	Q	261			307				385			
Thread / thread depth	R1	M6 / 10			M8 / 14				M10 / 16			
Thread / thread depth	R2	M10 / 12			M10 / 18				M10 / 16			
	S	6			6				6			
	a	22			26				32			
	b f7	10			12				12			
	c	85			104				115			
	d	33			36				36			
	f H7	20			20				20			
	g	40			40				40			
Thread / thread depth	k	M8 / 13			M12 / 17				M12 / 17			
	l	4.9			8.3				9.3			
	m	2.5			3				3			
	n	4.5			5.5				6			
Max. / min.	o	96.72 / 68.45			116.65 / 83.65				155.783 / 106.301			
Max. / min.	p	77.74 / 49.47			84.66 / 51.66				111.781 / 62.299			
Base jaw tooth pitch	-	4.7			5.5				5.5			
Base jaw offset	r	28.27			32.988				49.482			
Number of teeth	teeth	6			6				9			
α_1 / α_2 (for fixing bolts)	deg.	73.5 / 60			75 / 60				75 / 60			
Stroke per jaw at piston stroke K	mm	7 / 25			8 / 28				8 / 28			
Max. actuating force	kN	35			47				63			
Max. total gripping	kN	66			90				120			
Max. speed	r.p.m.	5000			4000				3500			
Weight without jaws	kg	27.8	29.3	30.0	45.1	44.5	46.6	47.3	72.3	77.3	75.2	82.8
Moment of inertia	kg·m ²	0.17	0.18	0.19	0.41	0.41	0.43	0.44	1.09	1.17	1.11	1.26
Rec. closed center cylinder	Type	SIN-S 125 / 150			SIN-S 150 / 175				SIN-S 150 / 175 / 200			
Rec. open center cylinder	Type	VNK-T2 130-52			VNK-T2 170-77				VNK-T2 250-110			

Ordering review

Actual gripping force diagram



The data in the diagrams refer to 2-jaw chucks, newly maintained according to their service manuals using SMW-AUTOBLOK K05 grease. The static and dynamic gripping forces have been measured using standard soft top jaws, placed in a position not exceeding the outer diameter of the chuck.

⚠ Safety advice / danger of damage:

When using taller / heavier jaws and / or clamping on a bigger diameter reduce draw pull / rotating speed accordingly.

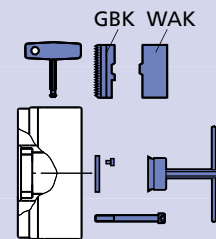
Ordering review

KNCS-N + GBK + WAK

Supply range:

Chuck + key + mounting bolts + mounting key + 1 set hardened base jaws type GBK
+ 1 set soft top jaws type WAK + 1 set of coverplates

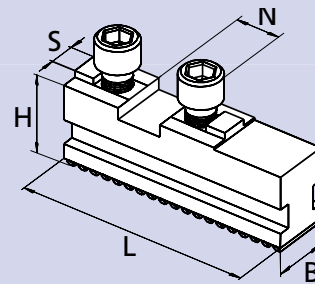
spindle mounting	size	KNCS-N	KNCS-N	KNCS-N
		210-52	260-78	325-104
Centering rim small		-	Z 170 162014	Z 220 161859
Centering rim large		Z 170 162034	Z 220 162015	Z 300 161860
A 06		162037	162020	-
A 08		162040	162021	161861
A 11		-	-	161862



GBK

Hardened base jaws

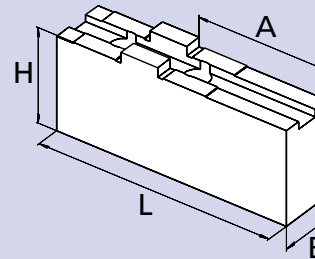
KNCS-N	210	260	325
Jaw type	GBK 200	GBK 250	GBK 315
Id. No.	012440-2	012441-2	012442-2
B	22	26	32
H	29.5	37	43
L	85	104	115
N	20	20	20
S	10	12	12
kg / set	0.7	1.3	1.9



WAK

Soft top jaws

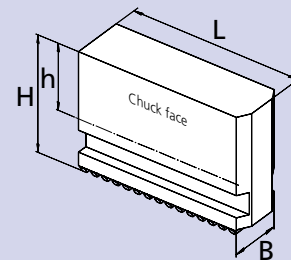
KNCS-N	210	260	325
Jaw type	WAK 200-10	WAK 250-10	WAK 250-10
Id. No.	012492-2	012493-2	012493-2
B	22	30	30
H	42	50	50
L	105	125	125
A	50	70	70
kg / set	1.3	2.5	2.5



UVB

Soft monoblock jaws

KNCS-N	210	260	325
Jaw type	UVB 200	UVB 250	UVB 315
Id. No.	012448-2	012449-2	012450-2
B	22	26	32
H	70	90	100
h	45	61	66
L	83	108	119
kg / set	1.8	3.7	5.5



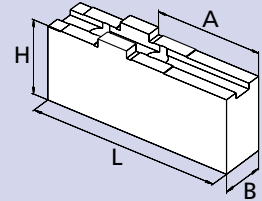
■ Soft top jaws wide version

Soft top jaws wide version

WAKS

Soft top jaws
Wide version

Type	Id. No.	B	H	L	A	kg / set	SMW-AUTOBLOK Chuck type
WAKS 200-10	080934-2	30	51	100	57	2.1	KNCS-N 210
WAKS 200-20	080935-2	30	66	100	45	2.7	
WAKS 200-30	012497-2	40	36	70	27	1.4	
WAKS 200-31	080936-2	40	56	85	43	2.7	
WAKS 200-32	036733-2	40	76	95	52	4.1	
WAKS 250-10	080937-2	40	55	125	70	3.8	KNCS-N 260 KNCS-N 325
WAKS 250-11	080938-2	40	75	125	70	5.1	
WAKS 250-12	080939-2	40	95	125	70	6.5	
WAKS 250-13	080940-2	40	115	125	70	7.9	
WAKS 250-20	012498-2	60	55	90	44	4.2	
WAKS 250-21	080942-2	60	55	110	60	3.2	
WAKS 250-22	080943-2	60	75	90	44	5.7	
WAKS 250-23	080944-2	60	75	110	60	7.0	
WAKS 250-30	012499-2	80	55	90	44	5.8	
WAKS 250-31	080945-2	80	75	110	60	9.7	

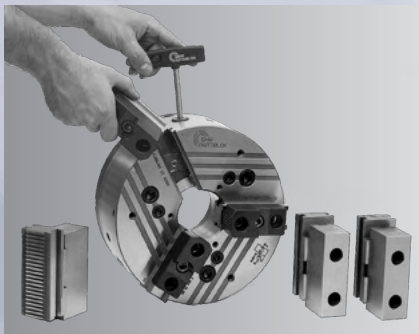


JAWS-CATALOG

Request or
download:
www.smw-autoblok.de

Fast changeover, fast payback:

The original quick jaw change power chuck



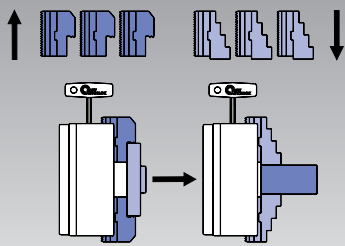
KNCS®-NB LARGE THROUGH-HOLE

KNCS®-NBX EXTRA LARGE THROUGH-HOLE

▶ ALL EXISTING TOP JAWS CAN BE USED

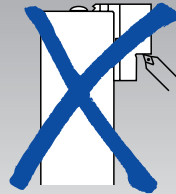
Minimal set-up times

Jaw change in less than 1 minute

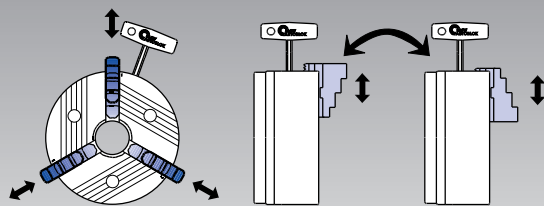


High repeatability when changing jaws

No reboring of already machined jaws necessary, because runout < 0.02 mm (KNCS-NB 210)



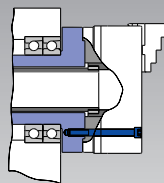
Flexibility jaws can be radially adjusted and are reversible = **less jaw sets**



Jaws radially adjustable

Jaws 180° reversed

Direct mounting



Recess and bolt circle to DIN 55026

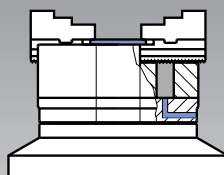
Profitability

Example set-up times / costs

	Conventional chuck	KNCS®-NB
Jaw change	10 Min.	1 Min.
Reboring of jaws	20 Min.	0 Min.
∅ jaw changes / day	2	2
Working days / year	230	230
Machine costs / hour	\$ 60.-	\$ 60.-
Total costs / year	\$ 13800.-	\$ 460.-
Profit*		\$ 13340.-

* If jaws are changed more often, the profitability is increased accordingly.

Vertical application



Version for vertical application with cover and drain holes for coolant available

Extra long, symmetrical and wide jaw guides.
Ideal for O.D. or I.D. gripping

Unique **wedge bar drive for high speed.**

Minimum loss of gripping force because of tangentially supported wedge bars.

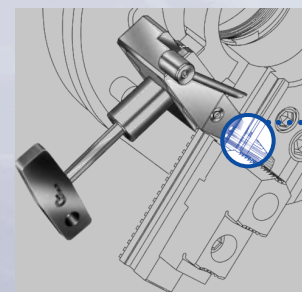
Minimum increase of gripping force (**hysteresis**) after quick spindle stop.

High efficiency of the wedge bar drive ensures highest concentricity and **repeatability.**

Suitable for **high-low clamping**

Original SMW-AUTOBLOK quick **jaw change.**

Jaw change accuracy with patented **jaw safety interlock**

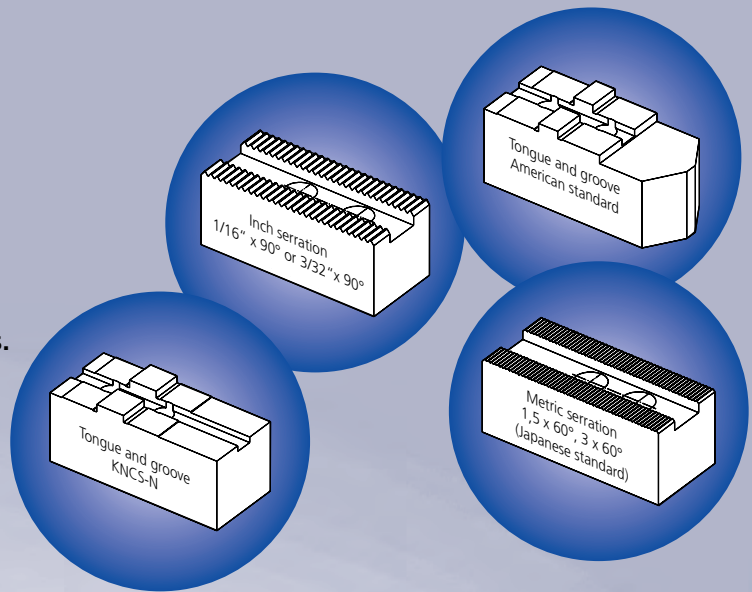


If the serration is not fully engaged – the jaw safety interlock is active

Less costs by using all existing top jaws from:

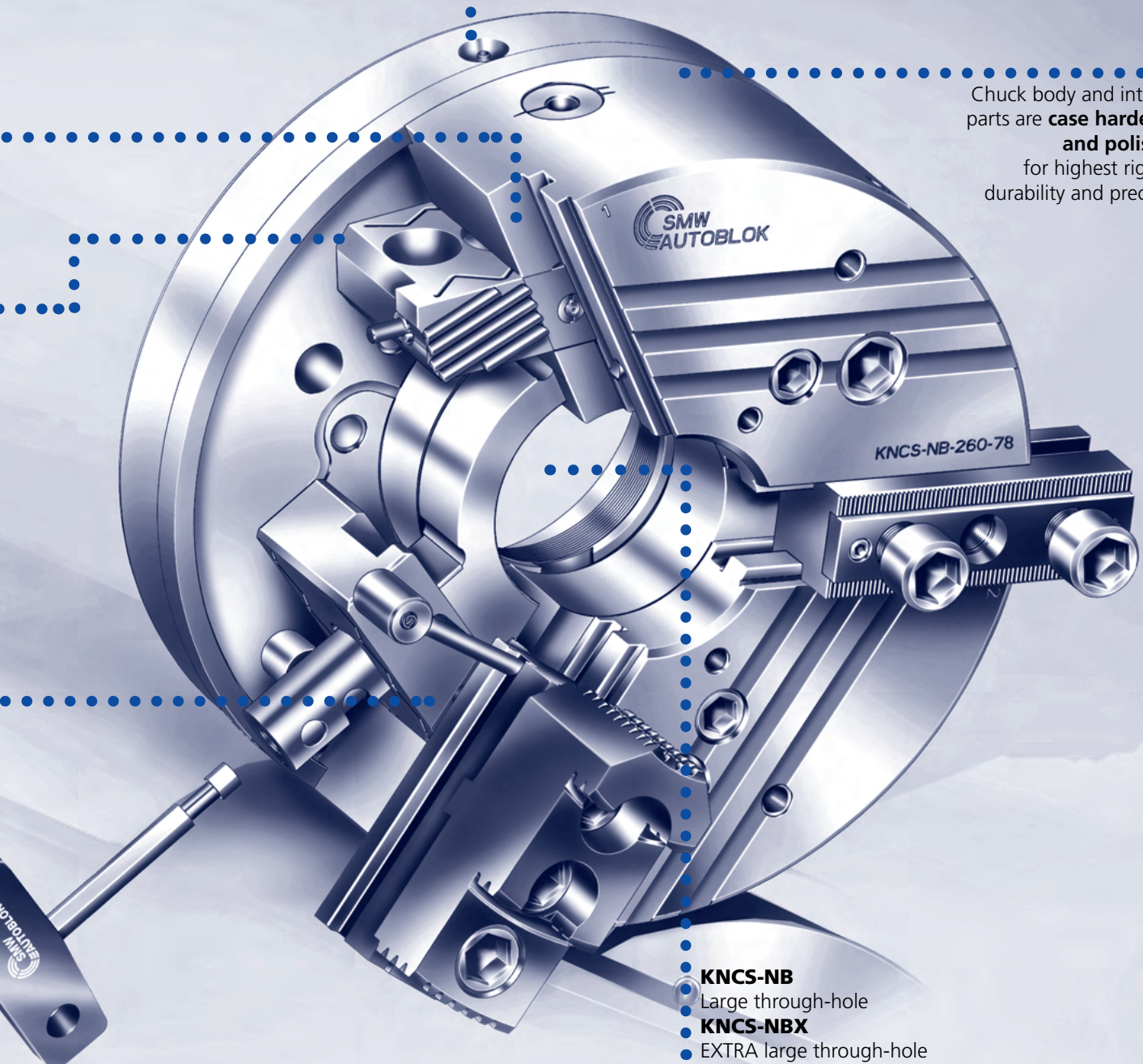
- SMW-AUTOBLOK
- Autoblok
- Buck
- Forkardt
- Gamet
- Howa
- Kitagawa
- Logansport
- Mario Pinto
- Matsumoto
- Pratt Burnerd
- Röhms
- Rotomors
- Schunk
- Berg
- Woodworth

If your jaw type is not included, please contact us.

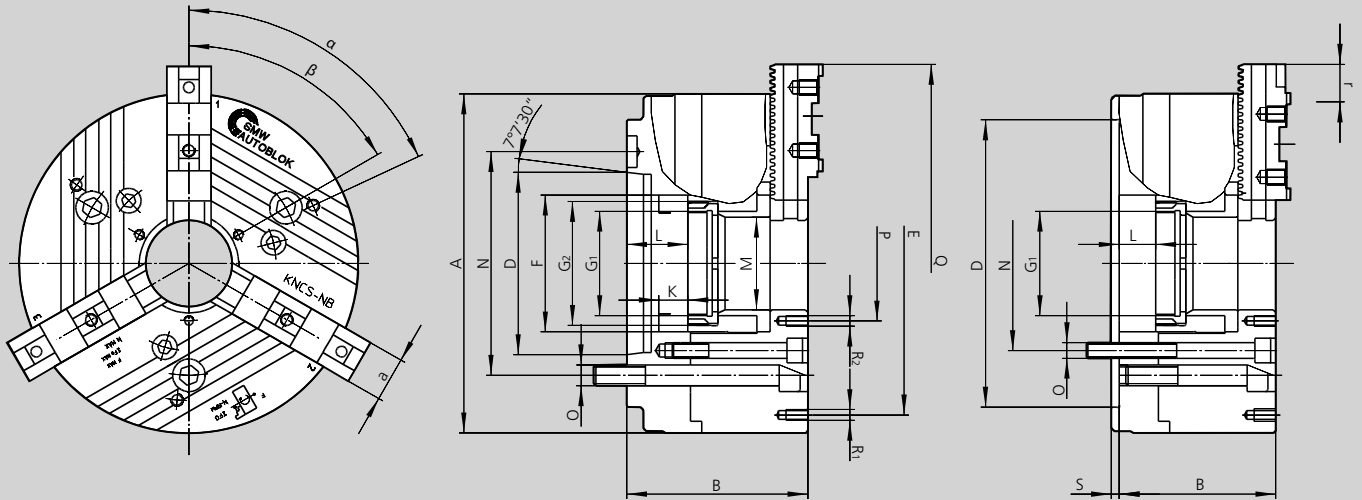


Easy lubrication even on vertical machines with 3 radial built-in grease fittings

Chuck body and internal parts are **case hardened and polished** for highest rigidity, durability and precision



- **KNCS-NB**
- Large through-hole
- **KNCS-NBX**
- EXTRA large through-hole

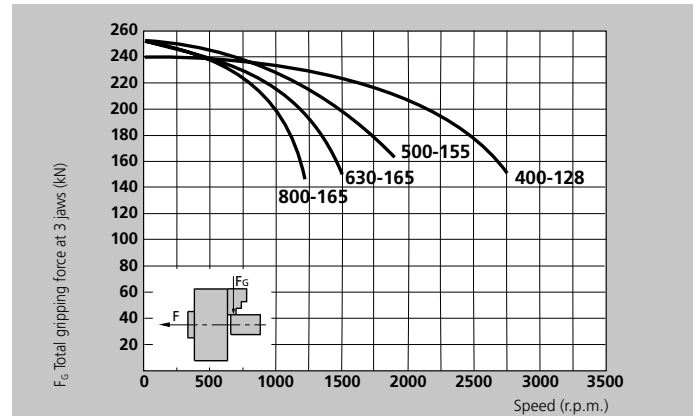
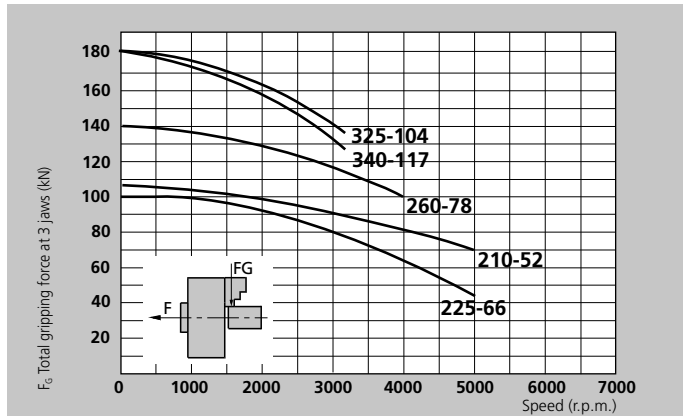


Subject to technical changes.
Dimensions and position of base jaws are depending on top jaw type.
For more detailed information please ask our customer service

SMW-AUTOBLOK Type		KNCS-NB 210-52			KNCS-NB 225-66			KNCS-NB 260-78				KNCS-NB 275-86			KNCS-NB 325-104			
Mounting	Size	Z170	A6	A8	Z170	A6	A8	Z170	Z220	A6	A8	Z220	A6*	A8	Z220	Z300	A8	A11
	A	215			225			260				275			324			
	B	105	122	124	105	122	124	120	120	137	139	120	144	139	130	130	149	151
	D H6	170	106.39	139.73	170	106.39	139.73	170	220	106.39	139.73	220	106.39	139.73	220	300	139.73	196.88
	E	168			180			210				210			268			
	F	85			95			111				122			144			
Threaded ring / depth	G1	M60 x 1.5 / 16			M75 x 1.5 / 16			M90 x 2 / 20				M95 x 2 / 20			M115 x 2 / 22			
Piston thread / depth	G2	M75 x 2 / 19			M85 x 2 / 19			M102 x 2 / 23				M110 x 2 / 23			M132 x 2 / 25			
Piston stroke	K	22			22			25				25			25			
Max.	L	25	42	44	25	42	44	28	28	45	47	28	52	47	28	28	47	49
	M	52			66			78				86			104			
Fixing bolt circle	N	133.4	133.4	171.4	133.4	133.4	171.4	133.4	171.4	133.4	171.4	171.4	133.4	171.4	171.4	235	171.4	235
Fixing bolt	O	M12	M12	M16	M12	M12	M16	M12	M16	M12	M16	M16	M12	M16	M16	M20	M16	M20
	P	72			82			95				105			130			
	Q	261			271			318				322			376			
Thread / thread depth	R1	M10 / 12			M10 / 12			M10 / 12				M10 / 18			M10 / 12			
Thread / thread depth	R2	M6 / 10			M6 / 10			M8 / 14				M8 / 14			M10 / 12			
	S	6			6			6				6			6			
	a	28			28			35				35			50			
Base jaw tooth pitch	-	4.7			4.7			5.5				5.5			5.5			
Base jaw offset	r	28.3			33			33				38.5			49.5			
Number of teeth	teeth	6			7			6				7			9			
α	deg.	60			60			60				60			60			
β	deg.	60			60			60				60			60			
Stroke per jaw at piston stroke K max.	mm	6.0			6.0			7.0				7.0			7.0			
Max. actuating force 3-jaw chuck	kN	53			53			70				70			95			
Max. total gripping force 3-jaw chuck	kN	100			100			135				135			180			
Max. speed 3-jaw chuck	r.p.m.	5000			5000			4000				4000			3300			
Weight without jaws	kg	24	26	26	26	29	29	40	40	43	43	48	53	50.7	65	65	68	68
Moment of inertia	kg·m ²	0.11			0.21			0.38				0.41			0.85			
Rec. closed center cylinder	Type	SIN-S 125 / 150			SIN-S 125 / 150			SIN-S 150 / 175				SIN-S 150 / 175			SIN-S 150 / 175 / 200			
Rec. open center cylinder	Type	VNK-T2 130-52			VNK-T2 150-67			VNK-T2 170-77				VNK-T2 225-95			VNK-T2 250-110			

* Indirect mounting by reducing flange.

Actual gripping force diagrams



The data in the diagrams refer to 3-jaw chucks, newly maintained according to their service manuals using SMW-AUTOBLOK K05 grease. The static and dynamic gripping forces have been measured using standard soft top jaws, placed in a position not exceeding the outer diameter of the chuck.

⚠ Safety advice / danger of damage:

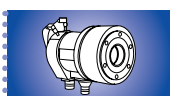
When using taller / heavier jaws and / or clamping on a bigger diameter reduce draw pull / rotating speed accordingly.

SMW-AUTOBLOK Type	KNCS-NB 340-117			KNCS-NB 400-128				KNCS-NB 500-155				KNCS-NB 630-165			KNCS-NB 800-165			
Mounting	Size	Z300	A8*	A11	Z300	Z380	A11	A15	Z300	Z380	A11	A15	Z380	A11*	A15	Z520	A15*	A20
	A	340			400				500				630			800		
	B	130	160	151	140	140	161	163	174	174	195	197	174	214	197	174	214	199
	D H6	300	139.73	196.88	300	380	196.88	285.77	300	380	196.88	285.77	380	196.88	285.77	520	285.77	412.8
	E	270			330				420				420 / 585			420 / 585 / 750		
	F	160			180				207				217			217		
Threaded ring / depth	G1	M125 x 2 / 22			M138 x 2 / 22				M165 x 2 / 25				M175 x 2 / 25			M175 x 2 / 25		
Piston thread / depth	G2	M146 x 2 / 25			M160 x 2 / 25				M185 x 2 / 28				M195 x 2 / 28			M195 x 2 / 28		
Piston stroke	K	25			32				42				42			42		
Max.	L	28	58	49	32	32	53	55	42	42	63	65	42	82	65	42	82	67
	M	117			128				155				165			165		
Fixing bolt circle	N	235	171.4	235	235	330.2	235	330.2	235	330.2	235	330.2	330.2	235*	330.2	463.6	330.2*	463.6
Fixing bolt	O	M20	M16	M20	M20	M24	M20	M24	M20	M24	M20	M24	M24	M20*	M24	M24	M24*	M24
	P	140			152				180				195			195		
	Q	380			455				554				650			817		
Thread / thread depth	R1	M10 / 16			M12 / 18				M16 / 25				M16 / 25			M16 / 25		
Thread / thread depth	R2	M10 / 16			M12 / 18				M12 / 18				M12 / 18			M12 / 18		
	S	6			8				8				8			8		
	a	50			50				62				75			75		
Base jaw tooth pitch	-	5.5			5.5				7				7			7		
Base jaw offset	r	49.5			60.5				77				91			91		
Number of teeth	teeth	9			11				11				13			13		
α	deg.	60 / 35			60 / 35				20 / 9 x 40				20 / 9 x 40			20 / 9 x 40		
β	deg.	60 / 35			60 / 35				20 / 9 x 40				20 / 9 x 40			20 / 9 x 40		
Stroke per jaw at piston stroke K max.	mm	7.0			8.0				10.0				10.0			10.0		
Max. actuating force 3-jaw chuck	kN	95			115				120				120			120		
Max. total gripping force 3-jaw chuck	kN	180			240				250				250			250		
Max. speed 3-jaw chuck	r.p.m.	3300			2750				1800				1500			1200		
Weight without jaws	kg	77	88.5	82.5	111	111	116	116	225	225	231	231	390	411	398	620	660	635
Moment of inertia	kg·m ²	1.24			2.5				6.5				18			27		
Rec. closed center cylinder	Type	SIN-S 150 / 175 / 200			SIN-S 175 / 200				SIN-S 175 / 200				SIN-S 175 / 200			SIN-S 175 / 200		
Rec. open center cylinder	Type	VNK-T2 320-127			VNK-T2 320-127				VSG 450-165				VSG 450-165			VSG 450-165		

* Indirect mounting by reducing flange.



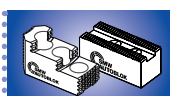
SMW-AUTOBLOK 460



SMW-AUTOBLOK 321



SMW-AUTOBLOK 150



SMW-AUTOBLOK 462

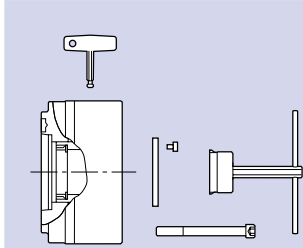
JAWS-CATALOG

Request or download:
www.smw-autoblok.de

KNCS®-NB

QUICK JAW CHANGE
Wide master jaws

Ordering review



Spindle mounting	Size	KNCS-NB 210-52	KNCS-NB 225-66	KNCS-NB 260-78	KNCS-NB 275-86	KNCS-NB 325-104	KNCS-NB 340-117	KNCS-NB 400-128	KNCS-NB 500-155	KNCS-NB 630-165	KNCS-NB 800-165
Centering rim small				Z170 064645		Z220 064695		Z300 064303	Z300 064306		
Centering rim large		Z170 064334	Z170 069790	Z220 064646	Z220 069660	Z300 064715	Z300 069665	Z380 063950	Z380 064307	Z380 064548	Z520 064579
A 05											
A 06		064610	069791	064669	069661						
A 08		064611	069792	064670	069662	064716	069666				
A 11						064723	069667	064304	064308	064577	
A 15								064305	064309	064549	064615
A 20											064616

Supply range

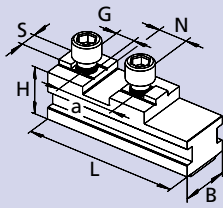
Chuck + disengaging key + mounting bolts + mounting key + 1 set of coverplates without base jaws, without top jaws

Base jaw type

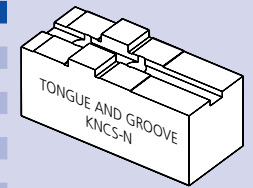
GBK-B

TONGUE & GROOVE KNCS-N standard

Existing top jaw



KNCS-NB	210-52/225-66	260-78/275-86	325-104/340-117	400-128	500-155	630-165	800-165
Id. No.	138494	039624	039626	039629	035565	035902	064604
B	28	35	50	50	62	75	75
H	32	40	45.8	45.8	57	57	57
L	85	104	115	125	160	200	287
N	20	20	20	26	30	30	30 (2x)
S	10	12	12	12	18	18	18
G (metric)	M8	M12	M12	M12	M16	M16	M16
a	40	40	40	54	60	60	2 x 60

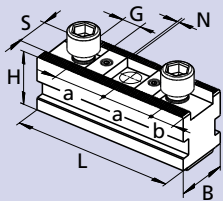


Base jaw type

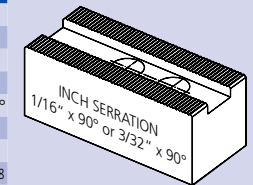
GBK-BD

INCH SERRATED (for SMW-AUTOBLOK standard jaws)

Existing top jaw



KNCS-NB	210-52/225-66	260-78/275-86	325-104/340-117	400-128	500-155	630-165	800-165
Id. No.	036292	035704	036167	036293	036294	036295	036296
B	28	35	50	50	62	75	75
H	32	40	45.8	45.8	61	61	61
L	85	104	115	125	160	200	287
N	1/16" x 90°	1/16" x 90°	1/16" x 90°	3/32" x 90°	3/32" x 90°	3/32" x 90°	3/32" x 90°
S (ridge)	17	21	21	25.5	25.5	25.5	25.5
G	M12	M16	M16	M20	M20	M20	M20
a	2 x 23	30 / 28*	30 / 28*	2 x 38	38 / 49 / 38	38/38/52/38	3x38/60.7/2x38
b	11	14	14	17	17	18	17.5



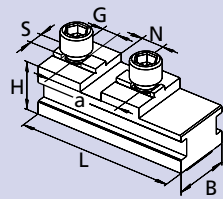
* 30 / 30 on request.

Base jaw type

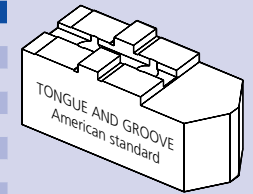
GBK-BA

TONGUE & GROOVE American standard

Existing top jaw



KNCS-NB	210-52/225-66	260-78/275-86	325-104/340-117	400-128	500-155	630-165	800-165
Id. No.	-	-	039628	039631	060561	060562	064590
B	-	-	50	50	62	75	75
H	-	-	45.8	45.8	57	57	57
L	-	-	120	146	168	203	287
N	-	-	19.02	19.02	19.02	19.02	19.02 (2x)
S	-	-	12.7	12.7	12.7	12.7	12.7
G (inch)	-	-	5/8-11	3/4-10	3/4-10	3/4-10	3 / 4-10
a	-	-	63.5	76.2	76.2	76.2	2 x 76.2

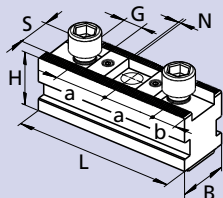


Base jaw type

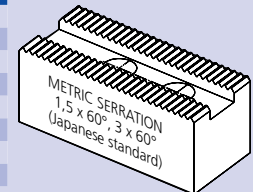
GBK-BM

METRIC SERRATION

Existing top jaw



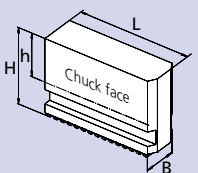
KNCS-NB	210-52/225-66	260-78/275-86	325-104/340-117	400-128	500-155	630-165	800-165
Id. No.	035566	035567	035568	035569	035570	035917	036708
B	28	35	50	50	62	75	75
H	32	40	45.8	45.8	61	61	61
L	85	104	115	125	160	200	287
N	1.5 x 60°	1.5 x 60°	1.5 x 60°	1.5 x 60°	3 x 60°	3 x 60°	3 x 60°
S	14	16	21	22	25	25	25
G (metric)	M12	M12	M16	M20	M20	M20	M20
a	2 x 25	2 x 30	2 x 30	2 x 43	50 / 60	60/60/70.5/60	4 x 60
b	11	11	14	17	17	17	17.5



Jaw type

UVB-B

Soft wide monoblock jaws



KNCS-NB	210/225	260/275	325/340	400	500	630/800
Jaw type	UVB-B 210	UVB-B 250	UVB-B 315	UVB-B 400	UVB-B 500	UVB-B 630
Id. No.	534337	238910	238911	238740	238912	5301060
B	28	35	50	50	62	75
H	80	110	115	125	160	160
h	55	81	60	60	105	105
L	85	109.5	120.5	148	175	230
kg / set	4.2	9.4	18.5	20.7	38.8	61.5

JAWS-CATALOG

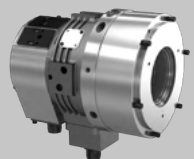
Request or download:
www.smw-autoblok.de



- Recommended actuating cylinders
- Examples for assembly
- High-low clamping for thin-walled components

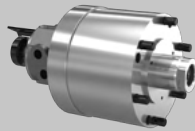
Actuating cylinders with and without through-hole

VNK-T2



Hydraulic open center cylinder with built-in safety valves, piston stroke control and coolant collector (pmax. = 45 bar)

SIN-S



Hydraulic closed center cylinder with built-in safety valves and piston stroke control. Central through-hole for air or coolant (pmax. = 70 bar)

SIN-HL



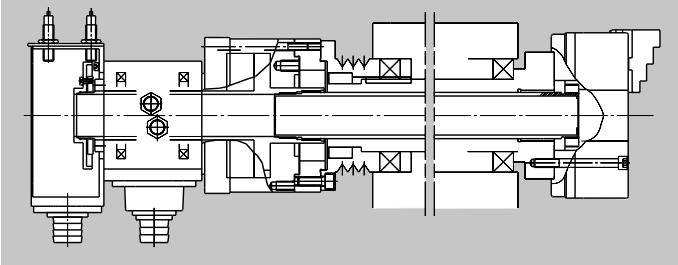
Hydraulic closed center cylinder for high-low clamping with built-in safety valves and piston stroke control. Central through-hole for air, oil or coolant (pmax. = 70 bar)

SMW-AUTOBLOK Type	VNK-T2 130/52	VNK-T2 170/77	VNK-T2 225/95	VNK-T2 320/127	VSG 450/165	SIN-S 125	SIN-S 150	SIN-S 175	SIN-S 200	SIN-HL 100	SIN-HL 125	SIN-HL 150	SIN-HL 175	
Draw pull max.	kN	58	76	100	123	138	71	108	150	196	49	77	108	154
n _{max.}	r.p.m.	6300	5000	4000	3200	2000	6000	6000	5000	4000	7000	6000	6000	5000
Through-hole	mm	52.5	77	95.5	127.5	165	-	-	-	-	-	-	-	-

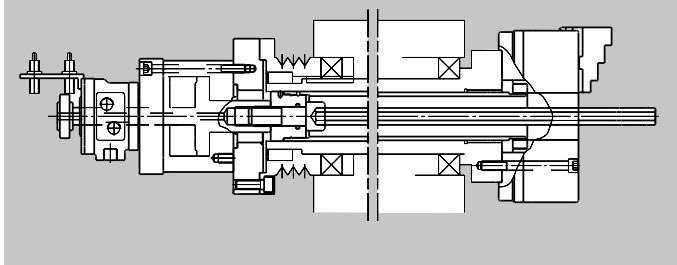
For more technical information see general catalog page 313.

Examples for assembly

Open center with VNK-T2

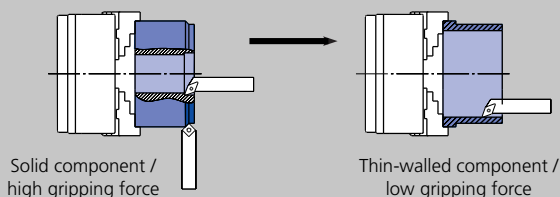


Partial open center with SIN-S / SIN-HL



High-low clamping for thin-walled components

Principle

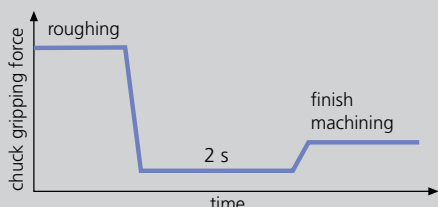


For easily deformable components SMW-AUTOBLOK offers "high-low" clamping.

The gripping force of the chuck can be reduced from a large amount of gripping force used in roughing, to a smaller amount of gripping force for a finishing cut without unclamping the component.

The SMW-AUTOBLOK closed center cylinder type SIN-HL and a modification of the machine hydraulic are necessary.

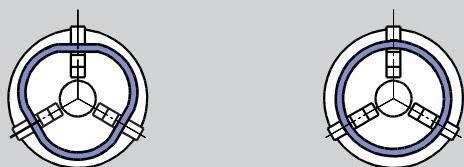
Function



In combination with a SMW-AUTOBLOK "high-low" hydraulic cylinder SIN-HL and suitable machine hydraulics, the KNCS-NB / KNCS-NBX wedge bar system allows a monitored reduction of gripping force.

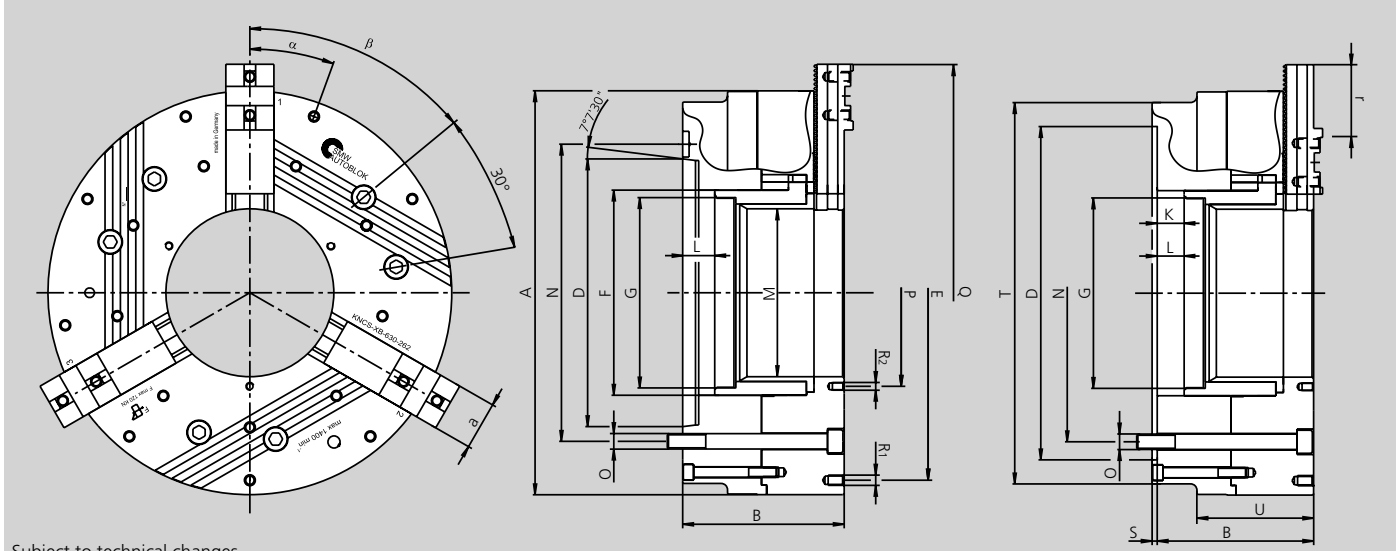
The component remains clamped in the chuck, however, the stress of the component can be released. The "high-low" cycle is programmable and is finished completely within 2 - 4 sec.

Result



The result are round components with a minimum of deformation.

For additional information please ask our engineers.



Subject to technical changes.
Dimensions and position of base jaws are depending on top jaw type.
For more detailed information please ask our customer service.

SMW-AUTOBLOK Type	KNCS-NBX 425-170			KNCS-NBX 530-210			KNCS-NBX 630-262			KNCS-NBX 800-262			KNCS-NBX 1000-262				
Mounting	Size	Z380	A11	A15	Z380	A11	A15	Z520	A15	A20	Z520	A15	A20	Z520	A15*	A20	
	A		425			530			630			800			1000		
	B	197	237	220	244	284	267	244	284*	269	244	284*	269	244	284*	269	
	D H6	380	196.88	285.77	380	196.88	285.77	520	285.77	412.77	520	285.77	412.77	520	285.77	412.77	
	E		330.2			420			420 / 585			420 / 585 / 750			420 / 585 / 750 / 915		
	F		222			262			320			320			320		
Piston thread / depth	G		M202 x 2 / 25			M240 x 2 / 28			M297 x 2 / 33			M297 x 2 / 33			M297 x 2 / 33		
Piston stroke	K		32			42			42			42			42		
Max.	L	32	72	55	42	82	55	42	82	67	42	82	67	42	82	67	
	M		170			210			262			262			262		
Fixing bolt circle	N	330.2	235.0	330.2	330.2	235.0	30.2	463.6	330.2*	463.6	463.6	330.2*	463.6	463.6	330.2*	463.6	
Fixing bolt	O	M24	M20	M24	M24	M20	M24	M24	M24*	M24	M24	M24*	M24	M24	M24*	M24	
	P		195			235			292			292			292		
	Q		487			598			745			915			1107		
Thread / thread depth	R1		M12 / 16			M16 / 25			M16 / 25			M16 / 25			M16 / 25		
Thread / thread depth	R2		M12 / 16			M16 / 25			M12 / 18			M12 / 18			M12 / 18		
	S		8			8			8			8			8		
	T		412			490			595			600			600		
	U		137			167			182			182			182		
	a		50			62			75			75			75		
Base jaw tooth pitch	-		5.5			7			7			7			7		
Base jaw offset	r		49.5			70			119			133			133		
Number of jaws	teeth		9			10			17			19			19		
α	deg.		15° / 12 x 30°			20° / 9 x 40°			20° / 9 x 40°			20° / 9 x 40°			20° / 9 x 40°		
β	deg.		60			60			60			60			60		
Stroke per jaw at piston stroke K max.	mm	8		32	10		42	10		42	10		42	10		42	
Max. actuating force 3-jaw chuck	kN		115			120			120			120			120		
Max. total gripping force 3-jaw chuck	kN		240			250			250			250			250		
Max. speed 3-jaw chuck	r.p.m.		2500			1500			1400			1000			850		
Weight without jaws	kg		164			320			395			635			985		
Moment of inertia	kg·m ²		4.3			13			23			54			125		
Rec. closed center cylinder	Type		SIN-S 175 / 200			SIN-S 175 / 200			SIN-S 175 / 200			SIN-S 175 / 200			SIN-S 175 / 200		
Rec. open center cylinder	Type		VSG 450-165			VSG 550-205			VSG 550-205			VSG 550-205			VSG 550-205		

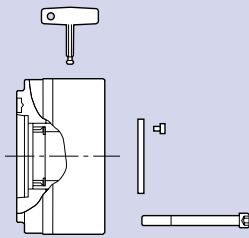
* Indirect mounting by reducing flange.



JAWS-CATALOG

Request or download:
www.smw-autoblok.de

Ordering review



Spindle mounting	Size	KNCS-NBX 425-170	KNCS-NBX 530-210	KNCS-NBX 630-262	KNCS-NBX 800-262	KNCS-NBX 1000-262
Centering rim large		Z380	Z380	Z520	Z520	Z520
A 11		160080	160090	069760	069770	069780
A 15		160081	160091			
A 20		160082	160092	069768	069778	069788
				069769	069779	069789

Supply range

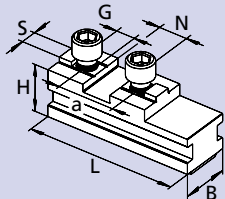
Chuck + disengaging key + mounting bolts + mounting key + set of coverplates, without base jaws, without top jaws

Base jaw type

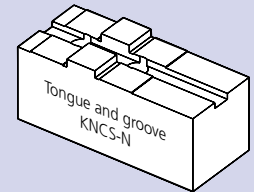
GBK-B

TONGUE & GROOVE KNCS-N standard

Existing top jaw



KNCS-NBX	425-170	530-210	630-262	800-262	1000-262
Id. No.	039629	035565	035902	064604	069806
B	50	62	75	75	75
H	45.8	57	57	57	57
L	125	160	200	286	384
N	26	30	30	30 (2x)	30 (3x)
S	12	18	18	18	18
G (metric)	M12	M16	M16	M16	M16
a	54	60	60	2 x 60	60

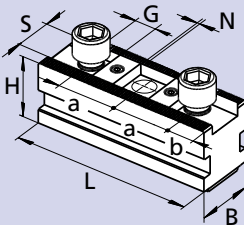


Base jaw type

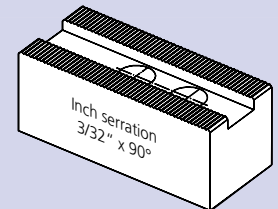
GBK-BD

INCH SERRATED (for SMW-AUTOBLOK standard jaws)

Existing top jaw



KNCS-NBX	425-170	530-210	630-262	800-262	1000-262
Id. No.	036293	036294	036295	036296	-
B	50	62	75	75	-
H	45.8	61	61	61	-
L	125	160	200	287	-
N	3/32" x 90°	3/32" x 90°	3/32" x 90°	3/32" x 90°	-
S (ridge)	25.5	25.5	25.5	25.5	-
G	M20	M20	M20	M20	-
a	2 x 38	38 / 49 / 38	38 / 38 / 52 / 38	3 x 38/60.7/2 x 38	-
b	17	17	18	17.5	-

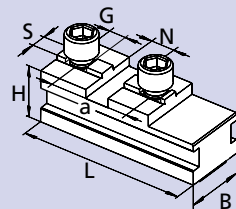


Base jaw type

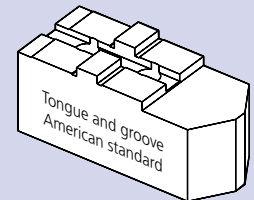
GBK-BA

TONGUE & GROOVE American standard

Existing top jaw



KNCS-NBX	425-170	530-210	630-262	800-262	1000-262
Id. No.	039631	060561	060562	064590	069807
B	50	62	75	75	75
H	45.8	57	57	57	57
L	146	168	203	286	384
N	19.02	19.02	19.02	19.02 / (2x)	19.02 / (3x)
S	12.7	12.7	12.7	12.7	12.7
G (inch)	3/4-10	3/4-10	3/4-10	3/4-10	3/4-10 / (4x)
a	76.2	76.2	76.2	2 x 76.2	76.2 / (3x)

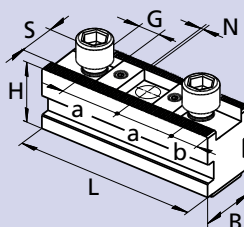


Base jaw type

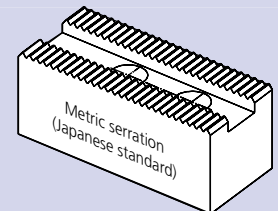
GBK-BM

METRIC SERRATION

Existing top jaw



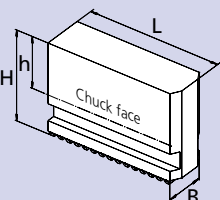
KNCS-NBX	425-170	530-210	630-262	800-262	1000-262
Id. No.	035569	035570	035917	036708	-
B	50	62	75	75	-
H	45.8	61	61	61	-
L	125	160	200	287	-
N	1.5 x 60°	3 x 60°	3 x 60°	3 x 60°	-
S	22	25	25	25	-
G (metric)	M20	M20	M20	M20	-
a	2 x 43	50 / 60	60/60/70.5/60	4 x 60	-
b	17	17	17	17.5	-



Jaw type

UVB-B

Soft wide monoblock jaws



KNCS-NBX	425	530	630 / 800 / 1000
Jaw type	UVB-B 400	UVB-B 500	UVB-B 630
Id. No.	238740	238912	5301060
B	50	62	75
H	125	160	160
h	60	105	105
L	148	175	230
kg / set	20.7	38.8	61.5

JAWS-CATALOG

Request or download:
www.smw-autoblok.de



NEW GENERATION

The most flexible production chuck in the world

KNCS-2G

Customer Benefits

	KNCS-N	KNCS-2G
Minimized set up times due to the quick jaw change system	■	■
Highest accuracy of the jaw change	■	■
Universal applicable	■	■
Vertical mounting of chuck possible	■	■
Case hardened parts	■	■
Wedge bar drive	■	■
Jaw safety interlock	■	■
Sealed wedge bars and base jaws		■
Optimized lubrication in the jaw guides		■
Low maintenance		■

Economic and Efficiency

Example: Maintenance costs at high accumulation of dirt / coolant

	KNCS-N	KNCS-2G
Lubrication interval	every shift	every 3rd shift
Required time for lubricating	10 Min.	10 Min.
Working days / year	230	230
Required time / year	2.300 Min.	767 Min.
Machine costs / hour	€ 60.–	€ 60.–
Total costs / year	€ 2.300.–	€ 767.–
Profit / year	at 1-shift operation	€ 1.533.–
	at 2-shift operation	€ 3.066.–
	at 3-shift operation	€ 4.599.–

Clamping glossary

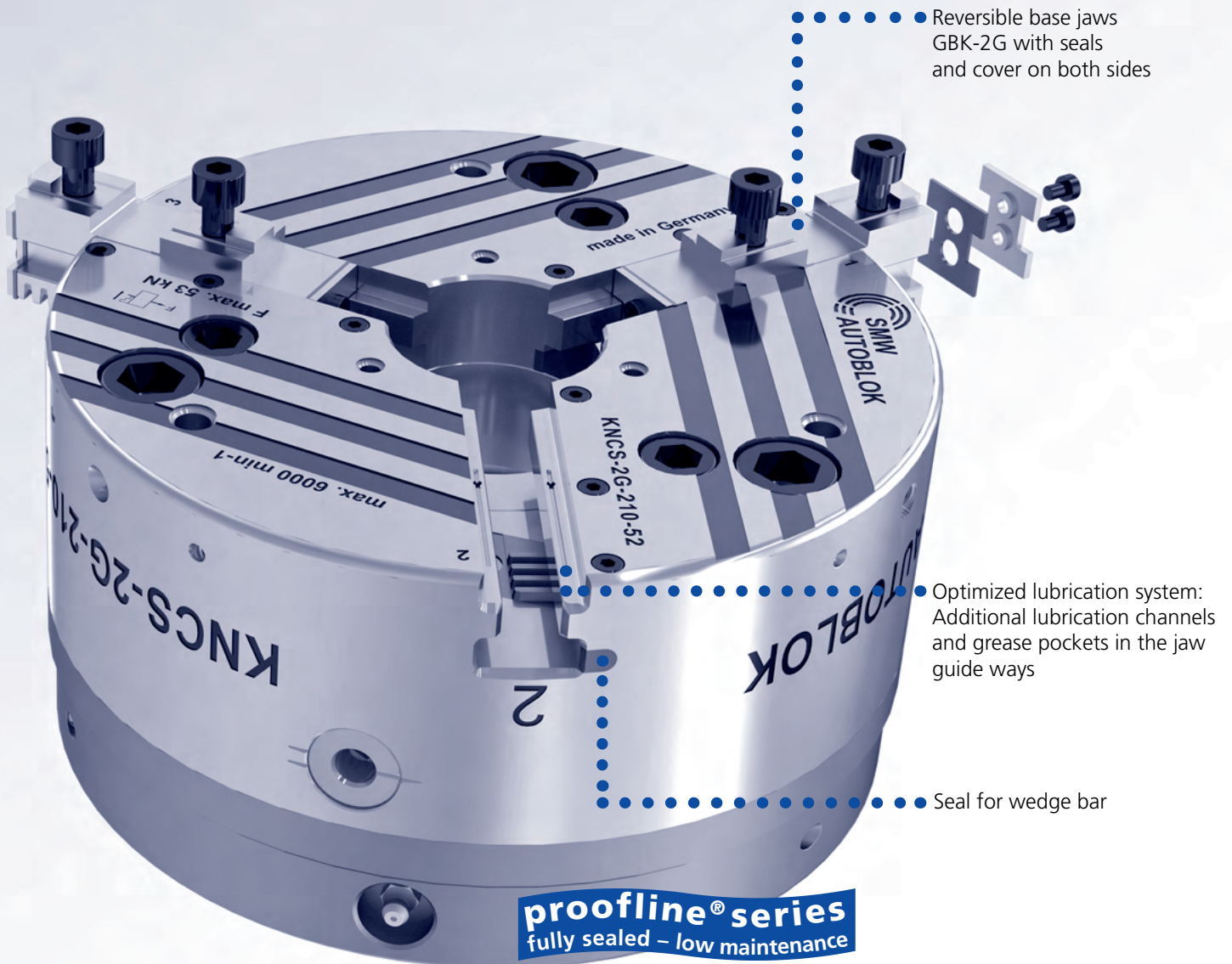
KNCS-2G: Evolution of the quick jaw change power chuck KNCS-N. The KNCS-2G features additional seals and an improved lubrication system for low maintenance. **The chuck still offers all the advantages same as the KNCS-N.** The proven wedge bar drive guarantees unmatched accuracy and rigidity. A low loss of grip force due to centrifugal force makes the chuck ideal for high speed applications. This design does not require any counter balance weights which allows highest speeds without vibration.

Sealing: The KNCS-2G is sealed by seals attached to both faces of the base jaws. Also the wedge bars are protected by mechanical seals. The seals protect the chuck against **penetration of dirt and swarf.**

Low Maintenance: **The lubrication system of the KNCS-2G is optimized.** Additional lubrication channels and grease pockets integrated in the jaw guide ways ensure constant clamping force. The lubrication intervals are significantly longer reducing down times and cost for maintenance.

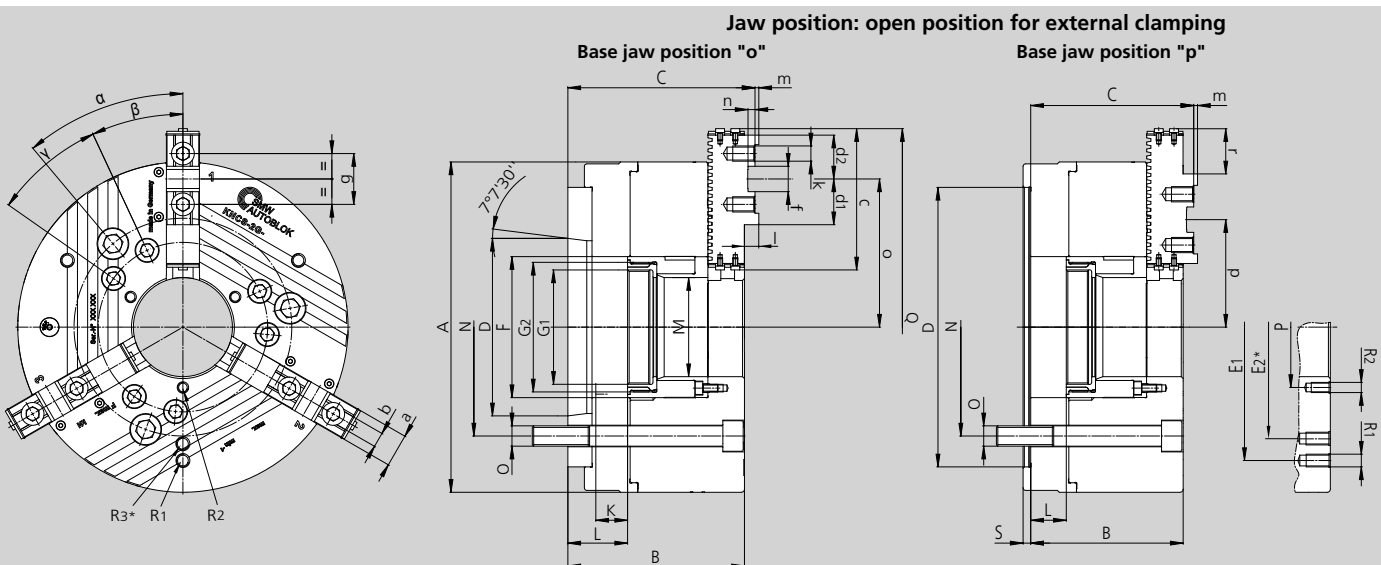
Mass production: The sealing and the new lubrication system make the KNCS-2G also suitable for mass production.

Compatibility: The KNCS-2G is interchangeable with the standard series of quick jaw change chucks KNCS-N. Existing master jaws still can be used without sealing. A small modification made to the master jaws and a **mounting kit** can upgrade existing master jaws to become 2G master jaws.



QUICK JAW CHANGE

- Sealed
- Quick jaw change



Subject to technical changes.
For more detailed information please ask our customer service.

* only KNCS-2G-630.

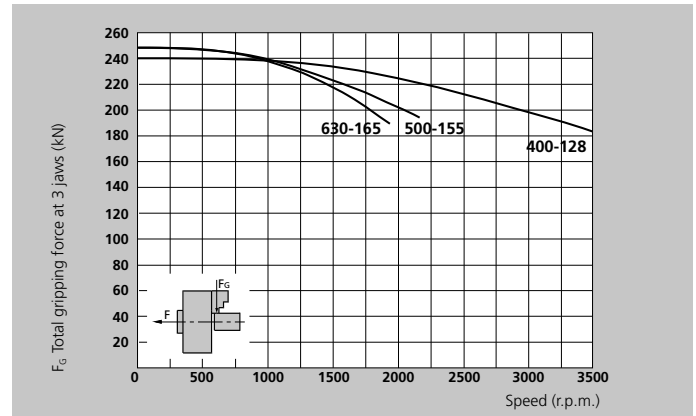
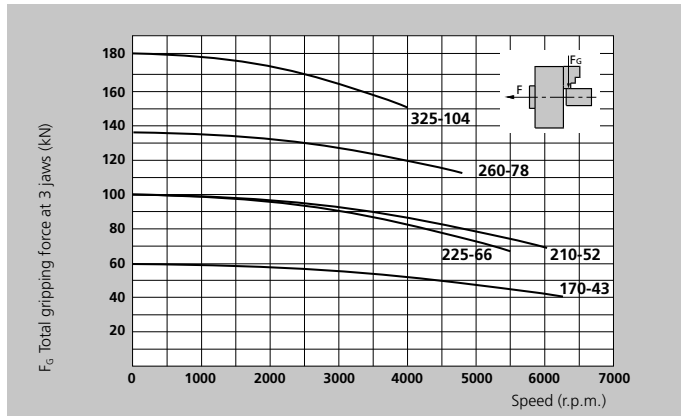
SMW-AUTOBLOK Type		170-43			210-52			225-66			260-78			
Mounting	Size	Z140	A5	A6	Z170	A6	A8	Z170	A6	A8	Z170	Z220	A6	A8
	A		175			215			225			260		
	B	98	113	115	105	122	124	105	122	124	120	120	137	139
	C	104.9	119.9	121.9	109.9	126.9	128.9	109.9	126.9	128.9	128.3	128.3	145.3	147.3
	D_{H6}	140	82.57	106.39	170	106.39	139.73	170	106.39	139.73	170	220	106.39	139.73
	E1/E2		152			168			180			210		
	F		67			85			95			111		
Rotating ring nut / depth	G1	M50 x 1.5 / 18*			M60 x 1.5 / 16			M75 x 1.5 / 16			M90 x 2 / 20			
Piston thread / depth	G2	M60 x 1.5 / 18			M75 x 2 / 19			M85 x 2 / 19			M102 x 2 / 23			
Piston stroke	K	20 / 25			22 / 25			22 / 25			25 / 28			
Max.	L	25	40	42	25	42	44	25	42	44	28	28	45	47
	M		43			52			66			78		
Fixing bolt circle	N	104.8	104.8	133.4	133.4	133.4	171.4	133.4	133.4	171.4	133.4	171.4	133.4	171.4
Fixing bolt	O	M10	M10	M12	M12	M12	M16	M12	M12	M16	M12	M16	M12	M16
	P		75			72			82			95		
	Q		203			268			278			313		
Thread / thread depth	R1	M8 / 12			M10 / 12			M10 / 12			M10 / 12			
Thread / thread depth	R2	M5 / 8			M6 / 10			M6 / 10			M8 / 16			
	S		6			6			6			6		
	a		20			22			22			26		
	b_{f7}		8			10			10			12		
	c		73.8			92.2			92.2			111.2		
	d1		28			33			33			36		
	d2		27.25			31.5			31.5			34.5		
	f_{H7}		18			20			20			20		
	g		32			40			40			40		
Thread / thread depth	k	M8 / 13			M8 / 13			M8 / 13			M12 / 15			
	l		6.9			4.9			4.9			8.3		
	m		2.5			2.5			2.5			3		
	n		5			4.5			4.5			5.5		
Max. / min.	o	69 / 50.2			96.6 / 68.3			102 / 69			116.6 / 83.6			
Max. / min.	p	60 / 41.2			77.6 / 49.3			83 / 50			84.6 / 51.6			
Base jaw tooth pitch	-	4.7			4.7			4.7			5.5			
Base jaw offset	r	18.8			28.3			33			33			
Number of teeth	teeth	4			6			7			6			
α	deg.	53			46			46			40			
β	deg.	39			34			34			25			
γ	deg.	-			-			-			30			
Stroke per jaw at piston stroke K	mm	5.1		20	6.0		22	6.0		22	7.0			25
Stroke per jaw at piston stroke K max.	mm	6.8		25	7.0		25	7.0		25	8.0			28
Max. actuating force 3-jaw chuck	kN	32			53			53			70			
Max. total gripping force 3-jaw chuck	kN	60			100			100			135			
Max. speed 3-jaw chuck	r.p.m.	6300			6000			5500			4700			
Weight without jaws	kg	14	15	15	24	26	26	26	29	29	40	40	43	43
Moment of inertia	kg-m ²	0.06			0.11			0.2			0.38			
Rec. closed center cyl.	Type	SIN-S 100 / 125			SIN-S 125 / 150			SIN-S 125 / 150			SIN-S 150 / 175			
Rec. open center cyl.	Type	VNK-T2 102-46			VNK-T2 130-52			VNK-T2 150-67			VNK-T2 170-77			

* KNCS-2G-170-43 are available with fixed ring nut only.

- Sealed
- Quick jaw change

QUICK JAW CHANGE

Actual gripping force diagrams



The data in the diagrams refer to 3-jaw chucks, newly maintained according to their service manuals using SMW-AUTOBLOK K05 grease. The static and dynamic gripping forces have been measured using standard soft top jaws, placed in a position not exceeding the outer diameter of the chuck.

⚠ Safety advice / danger of damage:

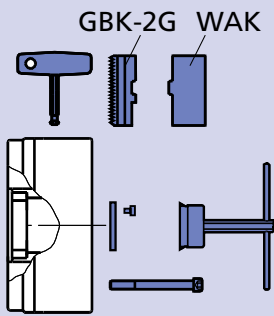
When using taller / heavier jaws and / or clamping on a bigger diameter reduce draw pull / rotating speed accordingly.

SMW-AUTOBLOK Type		325-104				400-128				500-155				630-165	
Mounting	Size	Z220	Z300	A8	A11	Z300	Z380	A11	A15	Z300	Z380	A11	A15	Z380	A15
	A	324				400				500				630	
	B	130	130	149	151	140	140	161	163	174	174	195	197	174	197
	C	139.2	139.2	158.2	160.2	149.2	149.2	170.2	172.2	184	184	205	207	184	207
	D H6	220	300	139.73	196.88	300	380	196.88	285.77	300	380	196.88	285.77	380	285.77
	E1/E2	268				330				420				585	420
	F	144				180				207				217	
Rotating ring nut / depth	G1	M115 x 2 / 22				M138 x 2 / 22				M165 x 2 / 25				M175 x 2 / 25	
Piston thread / depth	G2	M132 x 2 / 25				M160 x 2 / 25				M185 x 2 / 28				M195 x 2 / 28	
Piston stroke	K	25/28				32				42				42	
Max.	L	28	28	47	49	32	32	53	55	42	42	63	65	42	65
	M	104				128				155				165	
Fixing bolt circle	N	171.4	235	171.4	235	235	330.2	235	330.2	235	330.2	235	330.2	330.2	330.2
Fixing bolt	O	M16	M20	M16	M20	M20	M24	M20	M24	M20	M24	M20	M24	M24	M24
	P	130				152				180				195	
	Q	391				461				552				650	
Thread / thread depth	R1/R3	M10 / 16				M12 / 18				M16 / 25				M16 / 25	
Thread / thread depth	R2	M10 / 16				M12 / 18				M12 / 18				M12 / 18	
	S	6				8				8				8	
	a	32				32				45				45	
	b f7	12				12				18				18	
	c	122.2				133.2				167.1				209.7	
	d1	36				43				53				53	
	d2	34				42				48.2				49.75	
	f H7	20				26				30				30	
	g	40				54				60				60	
Thread / thread depth	k	M12 / 17				M12 / 17				M16 / 34				M16 / 34	
	l	9.3				9.3				10				10	
	m	3				3				4				4	
	n	6				7				9				9	
Max. / min.	o	155.7 / 106.2				182.3 / 121.8				225 / 141				270.5 / 179.5	
Max. / min.	p	111.7 / 62.2				143.3 / 82.2				164 / 80				170.5 / 79.5	
Base jaw tooth pitch	-	5.5				5.5				7				7	
Base jaw offset	r	49.5				60.5				84				91	
Number of teeth	teeth	9				11				12				13	
α	deg.	40				40				40				40	
β	deg.	25				25				25				-	
γ	deg.	30				30				30				-	
Stroke per jaw at piston stroke K	mm	7.0				25				10.0				10.0	
Stroke per jaw at piston stroke K max.	mm	8.0				28				32				42	
Max. actuating force 3-jaw chuck	kN	95				115				120				125	
Max. total gripping force 3-jaw chuck	kN	180				240				250				250	
Max. speed 3-jaw chuck	r.p.m.	4000				3500				2200				1700	
Weight without jaws	kg	65	65	68	68	111	111	116	116	225	225	231	231	390	398
Moment of inertia	kg·m ²	1.2				2.5				6.5				18	
Rec. closed center cyl.	Type	SIN-S 150 / 175 / 200				SIN-S 175 / 200				SIN-S 175 / 200				SIN-S 175 / 200	
Rec. open center cyl.	Type	VNK-T2 250-110				VNK-T2 320-127				VSG 450-165				VSG 450-165	

KNCS-2G

QUICK JAW CHANGE

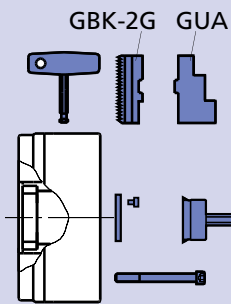
■ Ordering review



Supply range:

- Chuck + key + mounting bolts + mounting key (from diameter 210)
- + 1 set hardened base jaws type GBK-2G
- + 1 set soft top jaws type WAK
- + 1 set of coverplates

Spindle mounting	Size	KNCS-2G 170-43	KNCS-2G 210-52	KNCS-2G 225-66	KNCS-2G 260-78	KNCS-2G 325-104	KNCS-2G 400-128	KNCS-2G 500-155	KNCS-2G 630-165
Centering rim small					Z 170 161551	Z 220 161571	Z 300 161591	Z 300 162106	
Centering rim large	Z 140 162400	Z 170 161180	Z 170 161582	Z 220 161550	Z 300 161500	Z 380 161592	Z 380 161980	Z 380 162120	
A 05	162401								
A 06	162402		161563	161583	161553				
A 08			161564	161584	161554	161572			
A 11						161573	161593	162107	
A 15							161594	162108	162121

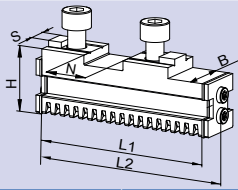


Supply range:

- Chuck + key + mounting bolts + mounting key (from diameter 210)
- + 1 set hardened base jaws type GBK-2G
- + 1 set hardened, reversible top jaws type GUA fine machined on chuck
- + 1 set of coverplates

Spindle mounting	Size	KNCS-2G 170-43	KNCS-2G 210-52	KNCS-2G 225-66	KNCS-2G 260-78	KNCS-2G 325-104	KNCS-2G 400-128	KNCS-2G 500-155	KNCS-2G 630-165
Centering rim small					Z 170 161559	Z 220 161578	Z 300 161599	Z 300 162109	
Centering rim large	Z 140 162403	Z 170 161568	Z 170 161588	Z 220 161560	Z 300 161579	Z 380 161600	Z 380 162110	Z 380 162122	
A 05	162404								
A 06	162405		161569	161589	161561				
A 08			161570	161590	161562	161580			
A 11						161581	161601	162111	
A 15							161602	162112	162123

■ Base jaws



GBK-2G

Hardened base jaws

Consisting of 1 set (3 pcs.) base jaws GBK-2G with seals and mounting screws (6 pcs.) for top jaws.

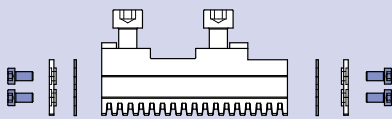
KNCS-2G	170	210	225	260	325	400	500	630
Jaw type	GBK-2G 170	GBK-2G 200	GBK-2G 200	GBK-2G 250	GBK-2G 315	GBK-2G 400	GBK-2G 500	GBK-2G 630
Id. No.	162390	161520	161520	161540	161329	161605	161843	161846
B	20	22	22	26	32	32	45	45
H	27.5	29.5	29.5	37	43	43	57	57
L1	63.5	82	82	101	112	123	157.5	199.5
L2 *	73.6	92.2	92.2	111.2	122.2	133.2	167.1	209.7
N	20	20	20	20	20	26	30	30
S	10	10	10	12	12	12	18	18
kg / set	0.7	1.0	1.0	1.8	2.7	3.0	7.7	9.5

* Dimension incl. seals, cover and screws.

Seal Kit

for hardened base jaws GBK-2G

Consisting of seals (6 pcs.) and mounting screws (12 pcs.)

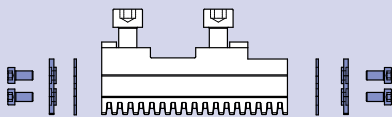


KNCS-2G	170	210	225	260	325	400	500	600
Jaw type	GBK-2G 170	GBK-2G 200	GBK-2G 200	GBK-2G 250	GBK-2G 315 / 400	GBK-2G 315 / 400	GBK-2G 500	GBK-2G 630
Id. No.	207495	205382	205382	205383	205384	205384	206915	206915

Mounting Kit

for hardened base jaws GBK-2G

Consisting of seals (6 pcs.), covers (6 pcs.) and mounting screws (12 pcs.)



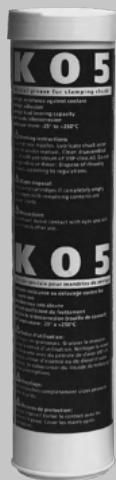
KNCS-2G	170	210	225	260	325	400	500	630
Jaw type	GBK-2G 170	GBK-2G 200	GBK-2G 200	GBK-2G 250	GBK-2G 315/400	GBK-2G 315/400	GBK-2G 500	GBK-2G 630
Id. No.	207496	205386	205386	205387	205388	205388	206916	206916

Advice:

Existing master jaws still can be used without seals. A small modification made to the master jaws and a mounting kit can upgrade existing master jaws to become 2G master jaws (instruction for the rework on request).

Grease KO5®

Special grease for manual and power chucks



Cartridge 14 Oz. (DIN 1284)
Grease content 500 g
Id. No. 016440

Can 1000 g
Id. No. 011881



- High adhesion
- High resistance against coolant
- High load bearing capacity
- Low friction coefficient
- Avoids tribocorrosion

Grease gun

Grease gun (DIN 1283) for cartridges 14 Oz. (DIN 1284)



Lubrication set Id. No. 083726

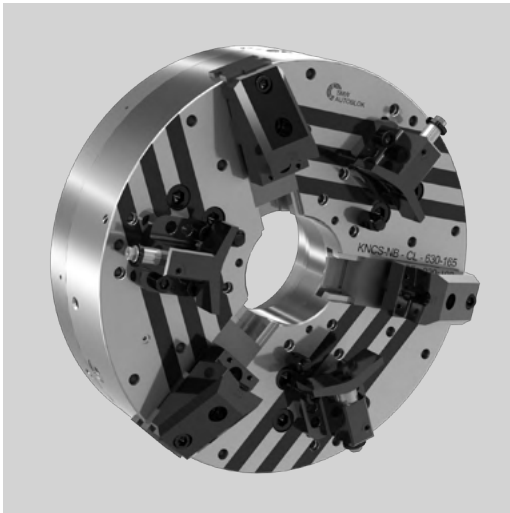
- Supply range
- Grease gun
 - 1 Adapter flexible for high pressure grease nipple
 - 1 Adapter for cone grease nipple

KNCS-NB-CL

CENTER LINE

High precision power chuck Ø 630 mm

- Quick jaw change
- Large through-hole
- Wide master jaws – Radial fine adjustment
- High flexibility: jaws radially adjustable / reversible



Application/customer benefits

- For workpieces with high concentricity callout
- For radial readjustment of workpieces with big changes in weight during machining
- To apply additional grip force to the workpiece by the adjustment screws
- Readjustment of the centerline of the workpiece in process

Technical features

- Integrated fine adjustment to center the workpiece
- Fine adjustment is radially displaceable for different workpiece diameters
- Concentricities higher than the repeatability of the chuck can be reached

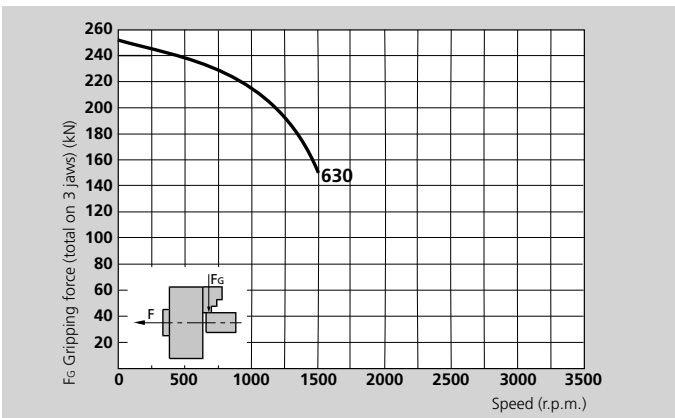
Standard equipment

- 3-jaw chuck with disengaging key
- Mounting key
- Set of coverplates
- Fine adjustment

Ordering example

3-jaw chuck KNCS-NB-CL 630

Actual gripping force diagram

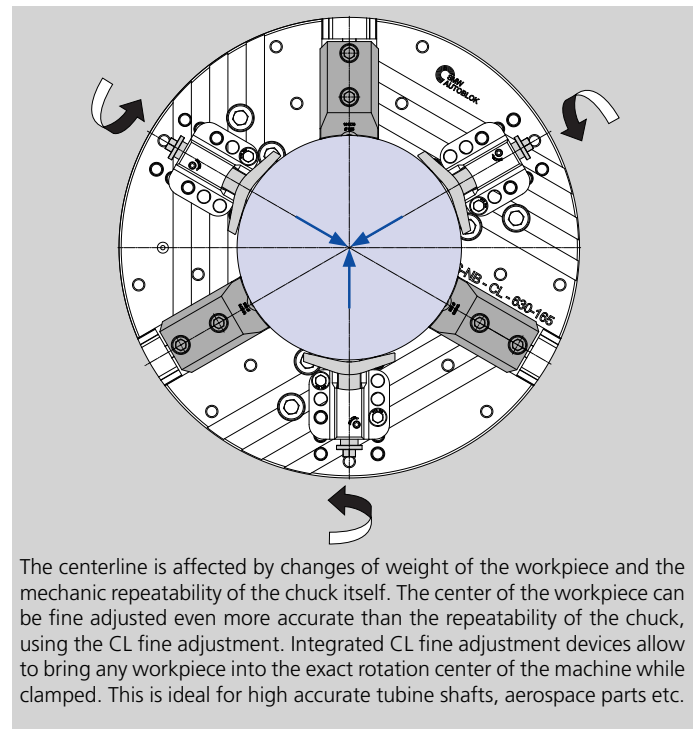


The data in the diagram refers to 3-jaw chucks, newly maintained according to their service manuals using SMW-AUTOBLOK K05 grease. The static and dynamic gripping forces have been measured using standard soft top jaws, placed in a position not exceeding the outer diameter of the chuck.

⚠ Safety advice / danger of damage:

When using taller / heavier jaws and / or clamping on a bigger diameter reduce draw pull / rotating speed accordingly.

Radial fine adjustment CL



The centerline is affected by changes of weight of the workpiece and the mechanic repeatability of the chuck itself. The center of the workpiece can be fine adjusted even more accurate than the repeatability of the chuck, using the CL fine adjustment. Integrated CL fine adjustment devices allow to bring any workpiece into the exact rotation center of the machine while clamped. This is ideal for high accurate turbine shafts, aerospace parts etc.

Technical data

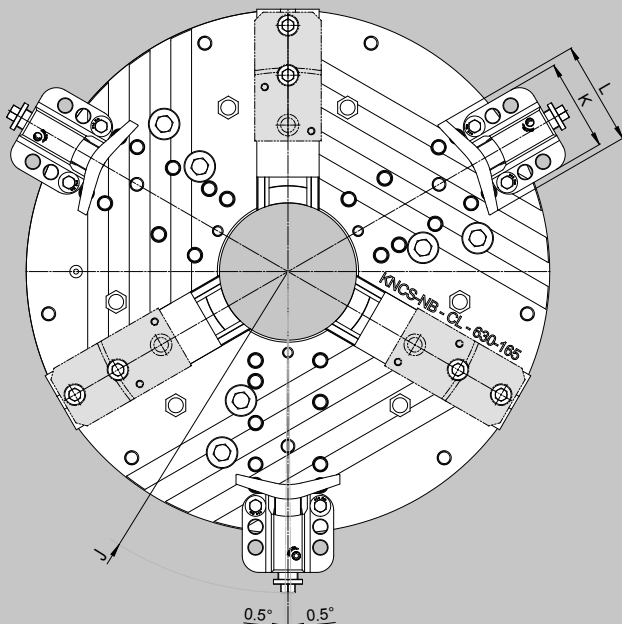
SMW-AUTOBLOK Type		KNCS-NB-CL 630
Id. No.		161250
Number of jaws		3
Radial jaw stroke	mm	10
Axial piston stroke	mm	42
Max. draw-pull	kN	120
Max. gripping force	kN	250
Max. speed	r.p.m.	1500
Weight (without top jaws)	kg	390
Moment of inertia	kg·m ²	18
Recommended closed center cylinder		SIN-S 175 / 200
Recommended open center cylinder		VSG 450-165

High precision power chuck Ø 630 mm

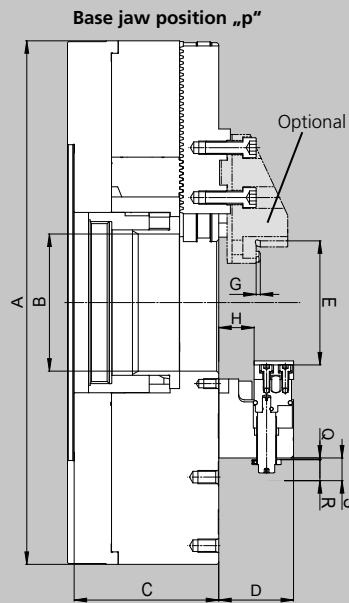
- Quick jaw change
- Large through-hole
- Wide master jaws - Radial fine adjustment
- High flexibility: Jaws radially adjustable / reversible

KNCS-NB-CL

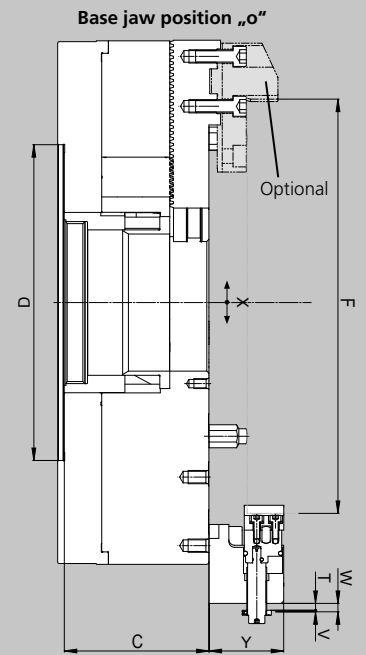
CENTER LINE



Max. radial swivelling
~±0.5° = ±0.5 mm



Min. position of adjustment
(CL)



Max. position of adjustment
(CL)

Subject to technical changes.
For more detailed information please ask our customer service or see the technical data of KNCS-NB.

SMW-AUTOBLOK Type			KNCS-NB-CL 630
Id. No.			161250
Chuck bore diameter	A	mm	630
	B	mm	165
Min. clamping diameter	C	mm	174
	D	mm	380
Max. clamping diameter	E	mm	150
	F	mm	540
Swing diameter max.	G	mm	5
	H	mm	42.6
Residual stroke CL (min. position)	J	mm	812
	K	mm	110
Approach stroke CL (min. position)	L	mm	125
	M	mm	60
Total stroke CL (min. position)	Q	mm	2
	R	mm	27
Residual stroke CL (max. position)	S	mm	29
	T	mm	1.8
Approach stroke CL (max. position)	V	mm	27.2
	W	mm	29
Total stroke CL (max. position)	X	mm	~±0.05
	Y	mm	90

AP-RC

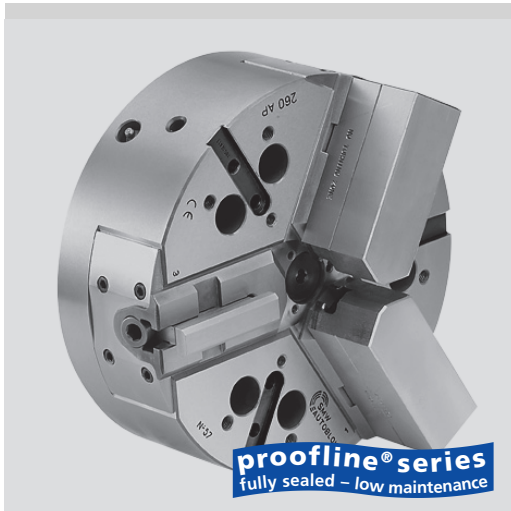
Quick jaw change
TONGUE & GROOVE

AP-RD

Quick jaw change
SERRATION

Quick jaw change high precision power chuck Ø 170 - 400 mm

- Closed center
- 3 jaws
- proofline® chucks = fully sealed – low maintenance



Application/customer benefits

- For mid to large batch flexible production
- Quick jaw change = short set up time
- Fully sealed, ideal for dry machining of castings and forgings or if high pressure coolant is used
- Ideal for vertical, pick up and horizontal machines

AP-RC: Quick jaw change with TONGUE & GROOVE master jaws

AP-RD: Quick jaw change with SERRATED master jaws (2.5 mm x 60°) (radially adjustable)

Technical features

- High accuracy patented quick jaw change
- Constant gripping force with permanent grease lubrication
- Central bore for coolant and / or air
- Chuck body and internal parts case hardened
- **proofline® chucks** = fully sealed – low maintenance

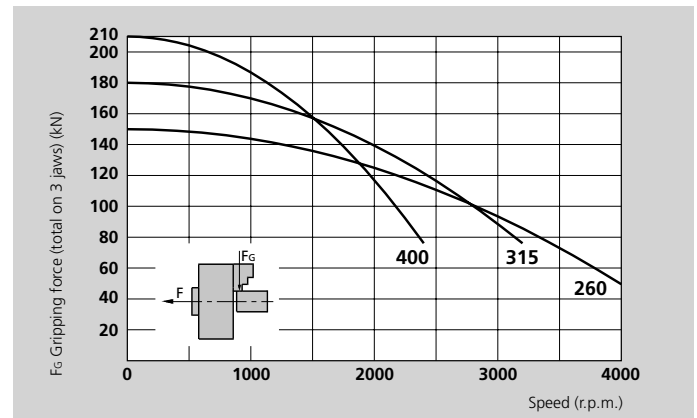
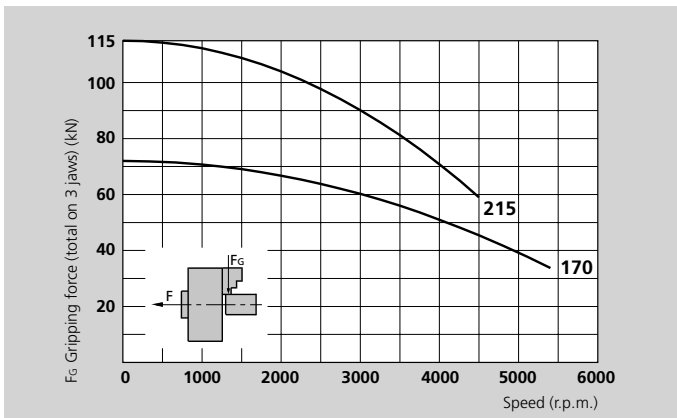
Standard equipment

- 3-jaw chuck
- 1 set soft top jaws (no AP-RC)
- 1 quick jaw change T wrench
- Mounting bolts

Ordering example

- 3-jaw chuck AP-RC 215 / A6
- or
- 3-jaw chuck AP-RD 260 / Z220

Actual gripping force diagrams



The data in the diagrams refer to 3-jaw chucks, newly maintained according to their service manuals using SMW-AUTOBLOK K67 grease. The static and dynamic gripping forces have been measured using standard soft top jaws, placed in a position not exceeding the outer diameter of the chuck.

△ Safety advice / danger of damage:

When using taller / heavier jaws and / or clamping on a bigger diameter reduce draw pull / rotating speed accordingly.

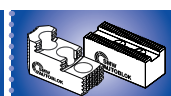
Technical data

SMW-AUTOBLOK Type		AP-RC 170 AP-RD 170	AP-RC 215 AP-RD 215	AP-RC 260 AP-RD 260	AP-RC 315 AP-RD 315	AP-RC 400 AP-RD 400
Number of jaws		3	3	3	3	3
Radial jaw stroke	mm	3.6	4.6	5	6.3	7
Axial piston stroke	mm	17	22	24	30	33
Max. draw-pull*	kN	30	42	55	65	75
Max. gripping force*	kN	72	112	150	180	210
Max. speed	r.p.m.	5400	4600	4000	3200	2400
Weight (without top jaws)	kg	10	19.5	32.5	56	90
Moment of inertia	kg·m ²	0.037	0.113	0.28	0.69	1.7
Recommended actuating cylinders		SIN-S 100	SIN-S 100 / 125	SIN-S 125 / 150	SIN-S 125 / 150	SIN-S 150 / 175

* For internal clamping reduce the draw pull by 30%.



SMW-AUTOBLOK
460



SMW-AUTOBLOK
166



SMW-AUTOBLOK
321

Quick jaw change high precision power chuck Ø 170 - 400 mm

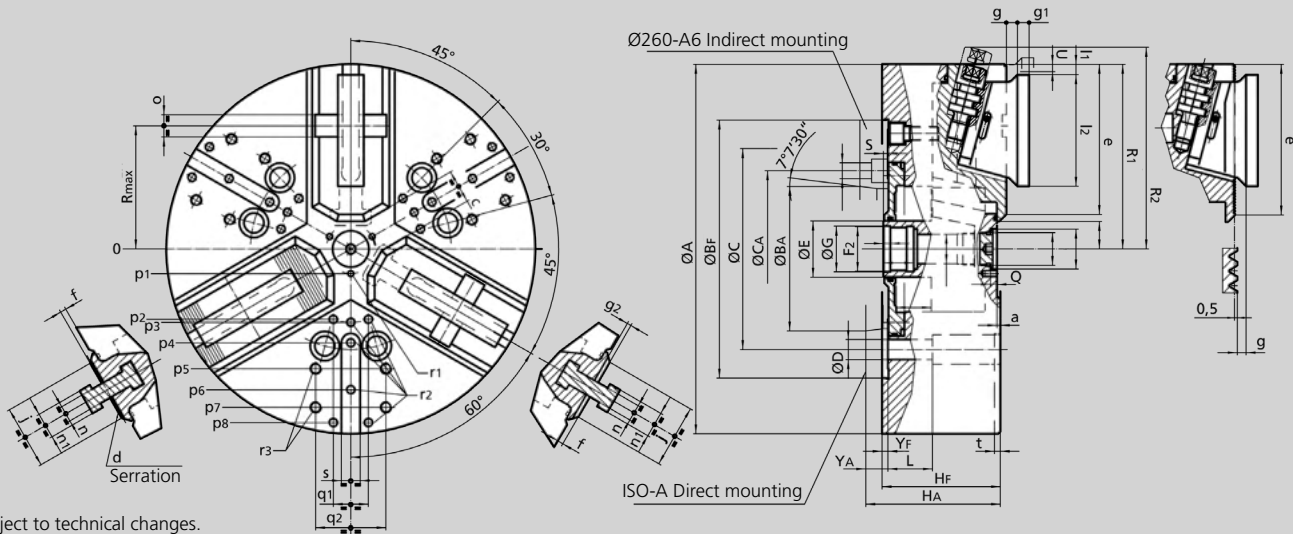
- Closed center
- 3 jaws
- proofline® chucks = fully sealed – low maintenance

AP-RC

Quick jaw change
TONGUE & GROOVE

AP-RD

Quick jaw change
SERRATION



Subject to technical changes.
For more detailed information please ask our customer service.

SMW-AUTOBLOK Type			AP-RC 170 AP-RD 170		AP-RC 215 AP-RD 215		AP-RC 260 AP-RD 260			AP-RC 315 AP-RD 315		AP-RC 400 AP-RD 400	
Mounting			Z140	A5	Z170	A6	Z220	A6	A8	Z220	A8	Z300	A11
	A	mm	172		216		262			315		390	
	BF/BAH6	mm	140	82.563	170	106.375	220	106.375	139.719	220	139.719	300	196.869
	C	mm	104.8		133.4		171.4			171.4		235	
	CA	mm	-	-	-	-	-	133.4	-	-	-	-	-
	D	mm	11.5		13.5		17			17		21	
	E	mm	32		42		48			48		75	
	F2	mm	M24 x 2		M32 x 1.5		M38 x 1.5			M38 x 1.5		M60 x 1.5	
	G H8	mm	25		33		39			39		61	
	HF/HA	mm	68	78	81	93	92	111	106	101	115	112	127
	K	mm	18.5		20		25			25		48	
	L	mm	23		32		38			38		54	
	M	mm	M10 x 1		M22 x 1.5		M28 x 1.5			M28 x 1.5		M52 x 1.5	
	N H9	mm	15		24		34			34		60	
	Q	mm	4.5		5.5		5.5			5.5		9	
Max.	R	mm	56		72		88			105		133.5	
Chuck open	R1	mm	86.5		108		131			157.5		195	
	R2 *	mm	99		122.5		145.5			172		217.5	
Max. / min.	S	mm	21 / 4		26 / 4		28 / 4			34 / 4		37 / 4	
Radial jaw stroke	U	mm	3.6		4.6		5			6.3		7	
	W	mm	22		26		26			26		38	
	YF/YA	mm	5	15	5	17	5	24	19	5	19	6	21
Max. / min.	Z	mm	17 / 0		22 / 0		24 / 0			30 / 0		33 / 0	
	a	mm	3		3		3			3		3	
Min.	b	mm	8.5		12		14			16.5		31	
Min.	c	mm	9		13		14			16		38	
Serration AP-RD	d	mm	2.5 x 60°		2.5 x 60°		2.5 x 60°			2.5 x 60°		2.5 x 60°	
	e	mm	68		85		106			128.5		150	
	f	mm	5		5		5			5		7	
	g	mm	7.5		7.5		8.5			9.5		11.5	
	g1	mm	8		8		9			10		12	
	g2	mm	3.5		3.5		3.5			3.5		5.5	
	j	mm	30		38		44			54		63	
	l1	mm	2.5		2.5		9			9		8.5	
	l2	mm	52		66		78			95		118	
	n h8	mm	10		10		12			14		18	
	n1	mm	16		16		19			22		28	
	o H7	mm	12.68		12.68		19.03			19.03		19.03	
	p1	mm	16		16		21			21		37.5	
	p2	mm	-		-		-			60		80	
	p3	mm	38		49		55			62.5		83	
	p4	mm	-		80		70			80		110	
	p5	mm	65		80		102			102		140	
	p6	mm	70		-		102			120		155	
	p7	mm	-		-		-			135		170	
	p8	mm	-		-		-			-		170	
	q1	mm	-		-		-			30		36	
	q2	mm	36		45		60			60		80	
	r1	mm	M5 / 7		M5 / 8		M6 / 10			M6 / 10		M6 / 12	
	r2	mm	M6 / 14		M8 / 17		M8 / 17			M8 / 17		M10 / 19	
	r3	mm	M8 / 17		M8 / 17		M10 / 19			M10 / 19		M12 / 22	
	s	mm	16		16		16			16		20	
	t	mm	5		5		5			5		5	

* Quick jaw change position.

NT-RC

Quick jaw change
TONGUE & GROOVE

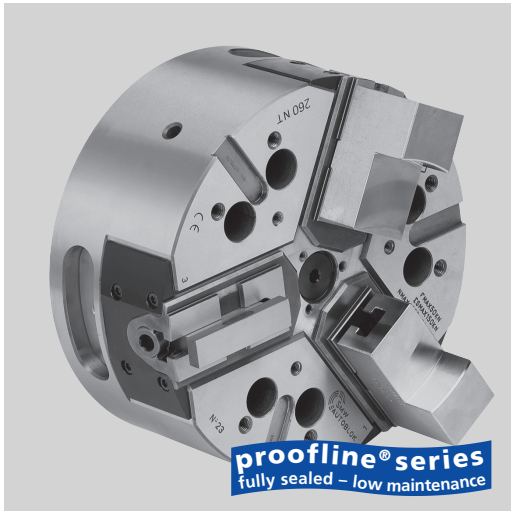
NT-RD

Quick jaw change
SERRATION

Quick jaw change high precision power chuck

Ø 170 - 400 mm

- Centrifugal force compensation
- 3 jaws, closed center
- proofline® chucks = fully sealed – low maintenance



Application/customer benefits

- For mid to large batches flexible production / high speed machining and for fragile parts
- Quick jaw change = short set up time
- Fully sealed, ideal for dry machining of castings and forgings or if high pressure coolant is used
- Ideal for vertical, pick up and horizontal machines

NT-RC: Quick jaw change with TONGUE & GROOVE master jaws

NT-RD: Quick jaw change with serrated master jaws (2.5 mm x 60°)
(radially adjustable)

Technical features

- High accuracy patented quick jaw change
- Centrifugal force compensation
- Constant gripping force with permanent grease lubrication
- Central bore for coolant and / or air
- Chuck body and internal parts case hardened
- **proofline® chucks** = fully sealed – low maintenance

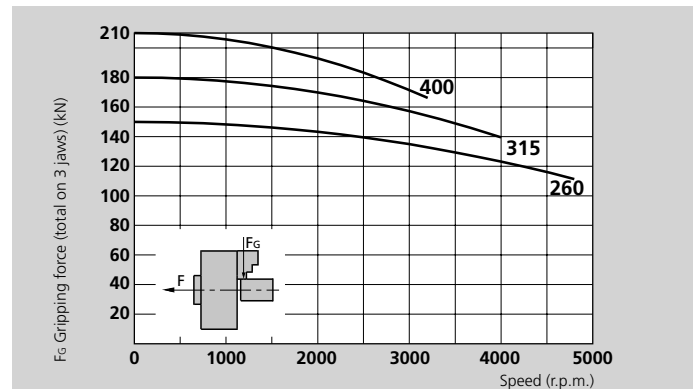
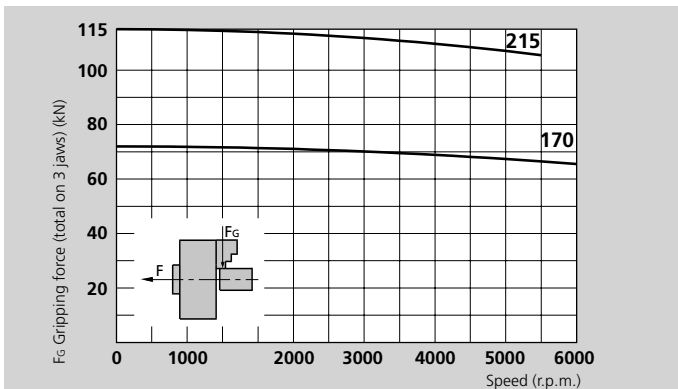
Standard equipment

- 3-jaw chuck
- 1 set soft top jaws
- 1 quick jaw change wrench
- Mounting bolts

Ordering example

- 3-jaw chuck NT-RC 215 / A6
- or
- 3-jaw chuck NT-RD 260 / Z220

Actual gripping force diagrams



The data in the diagrams refer to 3-jaw chucks, newly maintained according to their service manuals using SMW-AUTOBLOK K67 grease. The static and dynamic gripping forces have been measured using standard soft top jaws, placed in a position not exceeding the outer diameter of the chuck.

△ Safety advice / danger of damage:

When using taller / heavier jaws and / or clamping on a bigger diameter reduce draw pull / rotating speed accordingly.

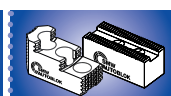
Technical data

SMW-AUTOBLOK Type		NT-RD 170 NT-RC 170	NT-RD 215 NT-RC 215	NT-RD 260 NT-RC 260	NT-RD 315 NT-RC 315	NT-RD 400 NT-RC 400
Number of jaws		3	3	3	3	3
Radial jaw stroke	mm	3.6	4.6	5	6.3	7
Axial piston stroke	mm	17	22	24	30	33
Max. draw-pull*	kN	30	42	55	65	75
Max. gripping force*	kN	72	112	150	180	210
Max. speed	r.p.m.	6500	6000	4800	4000	3200
Weight (without top jaws)	kg	13	25	40	68	112
Moment of inertia	kg·m ²	0.048	0.146	0.34	0.84	2.15
Recommended actuating cylinders		SIN-S 100	SIN-S 100 / 125	SIN-S 125 / 150	SIN-S 125 / 150	SIN-S 150 / 175

* For internal clamping reduce the draw pull by 30%.



SMW-AUTOBLOK
460



SMW-AUTOBLOK
166



SMW-AUTOBLOK
321

Quick jaw change high precision power chuck

Ø 170 - 400 mm

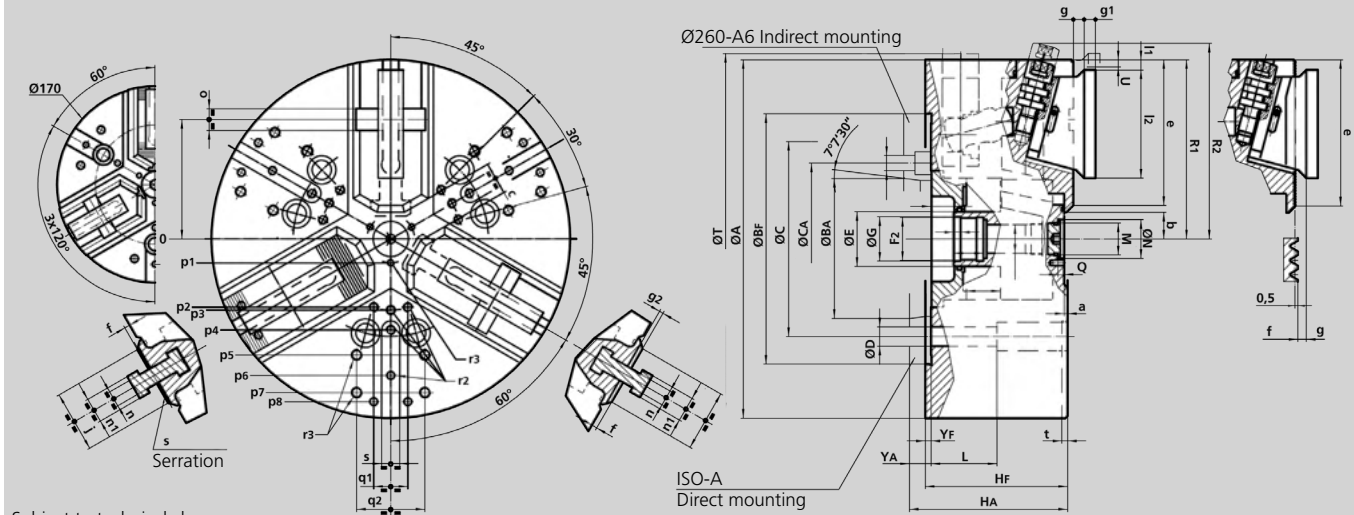
- Centrifugal force compensation
- 3 jaws, closed center
- proofline® chucks = fully sealed – low maintenance

NT-RC

Quick jaw change
TONGUE & GROOVE

NT-RD

Quick jaw change
SERRATION



Subject to technical changes.
For more detailed information please ask our customer service.

SMW-AUTOBLOK Type			NT-RD 170 NT-RC 170		NT-RD 215 NT-RC 215		NT-RD 260 NT-RC 260			NT-RD 315 NT-RC 315		NT-RD 400 NT-RC 400	
Mounting			Z140	A5	Z170	A6	Z220	A6	A8	Z220	A8	Z300	A11
	A	mm	172		216		262			315		390	
	BF/BAH6	mm	140	82.563	170	106.375	220	106.375	139.719	220	139.719	300	196.869
	C	mm	104.8		133.4		171.4	-	171.4	171.4		235	
	CA	mm	-	-	-	-	133.4	-	-	-	-	-	-
	D	mm	11.5		13.5		17	13.5	17	17		21	
	E	mm	32		42		48			48		75	
	F2	mm	M24 x 2		M32 x 1.5		M38 x 1.5			M38 x 1.5		M60 x 1.5	
	G H8	mm	25		33		39			39		61	
	HF/HA	mm	92	102	104	116	118	137	132	125	139	149	164
	K	mm	18.5		20		25			25		48	
	L	mm	43		52		58			58		74	
	M	mm	M10 x 1		M22 x 1.5		M28 x 1.5			M28 x 1.5		M52 x 1.5	
	N H9	mm	15		24		34			34		60	
	Q	mm	4.5		5.5		5.5			5.5		9	
Max.	R	mm	56		72		88			105		133.5	
Chuck open	R1	mm	86.5		108		131			157.5		195	
	R2 *	mm	99		122.5		145.5			172		217.5	
Max. / min.	S	mm	20 / 3		19 / -3		22 / -2			20 / -10		33 / 0	
Chuck fully closed	T	mm	175		220		-			-		-	
Radial jaw stroke	U	mm	3.6		4.6		5			6.3		7	
	W	mm	22		26		26			26		38	
Max. / min.	YF/YA	mm	5	15	5	17	5	24	19	5	19	6	21
	Z	mm	17 / 0		22 / 0		24 / 0			30 / 0		33 / 0	
	a	mm	3		3		3			3		3	
Min.	b	mm	8.5		12		14			16.5		31	
Min.	c	mm	9		13		14			16		38	
	d	mm	2.5 x 60°		2.5 x 60°		2.5 x 60°			2.5 x 60°		2.5 x 60°	
	e	mm	68		85		106			128.5		150	
	f	mm	5		5		5			5		7	
	g	mm	7.5		7.5		8.5			9.5		11.5	
	g1	mm	8		8		9			10		12	
	g2	mm	3.5		3.5		3.5			3.5		5.5	
	j	mm	30		38		44			54		63	
	l1	mm	2.5		2.5		9			9		8.5	
	l2	mm	52		66		78			95		118	
	n h8	mm	10		10		12			14		18	
	n1	mm	16		16		19			22		28	
	o H7	mm	12.68		12.68		19.03			19.03		19.03	
	p1	mm	16		16		21			21		37.5	
	p2	mm	-		-		-			60		80	
	p3	mm	38		49		55			62.5		83	
	p4	mm	-		80		70			80		110	
	p5	mm	65		80		102			102		140	
	p6	mm	70		-		102			120		155	
	p7	mm	-		-		-			135		170	
	p8	mm	-		-		-			-		170	
	q1	mm	-		-		-			30		36	
	q2	mm	36		45		60			60		80	
	r1	mm	M5 / 7		M5 / 8		M6 / 10			M6 / 10		M6 / 12	
	r2	mm	M6 / 14		M8 / 17		M8 / 17			M8 / 17		M10 / 19	
	r3	mm	M8 / 17		M8 / 17		M10 / 19			M10 / 19		M12 / 22	
	s	mm	16		16		16			16		20	
	t	mm	5		5		5			5		5	

* Quick jaw change position.

AP-R

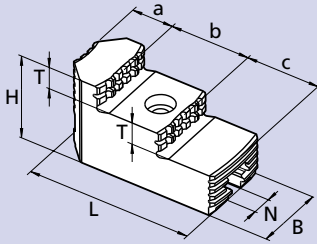
Quick jaw change

NT-R

Quick jaw change

Quick change soft and hard top jaws

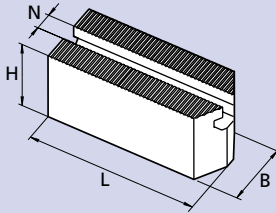
- Only for AP-RD, AP-RC, NT-RD, NT-RC
- Soft and hard jaws for chucks with serration (2.5 mm x 60°)
- Soft jaws for chucks with tongue & groove
- Torque wrench for quick jaw change

MHB-D**Hard top jaws with 2.5 x 60° serration for AP-RD and NT-RD chucks**

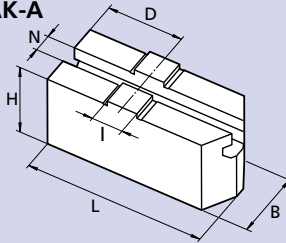
First operation jaws, if high concentricity is required jaws have to be ground on chuck.

Chuck Ø	Id. No.*	Serration mm	B mm	H mm	L mm	N mm	T mm	a mm	b mm	c mm	Weight kg / each
170	18081736	2.5 x 60°	30	45	65	10	10	23	24	18	0.36
215	18082136	2.5 x 60°	35	46	82	10	10.5	24	36	22	0.57
260	18082636	2.5 x 60°	45	56	100	12	14.5	27	39	34	1.04
315	18083136	2.5 x 60°	45	57	105	14	14	27	42	36	1.09
400	18084036	2.5 x 60°	55	73	140	18	18.5	42	49	49	2.27

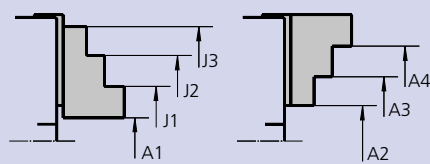
* the number refers to a set of 3 jaws

WBSA-D**Soft top jaws with 2.5 x 60° serration for AP-RD and NT-RD chucks**

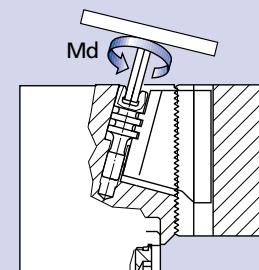
Chuck Ø	Id. No.	Serration mm	B mm	H mm	L mm	N mm	Weight kg / each
170	18071730	2.5 x 60°	30	40	70	10	0.48
215	18072130	2.5 x 60°	35	45	90	10	0.87
260	18072630	2.5 x 60°	45	60	100	12	1.70
315	18073130	2.5 x 60°	45	60	120	14	2.05
400	18074030	2.5 x 60°	55	75	140	18	3.87

WAK-A**Soft top jaws with tongue & groove "C" for AP-RC and NT-RC chucks**

Chuck Ø	Id. No.	B mm	H mm	L mm	N mm	D mm	I mm	Weight kg / each
170	18041730	30	37	80	10	30	12.70	0.52
215	18042130	35	44	100	10	35	12.70	0.97
260	18042630	45	57	120	12	42	19.03	2.02
315	18043130	45	57	140	14	50	19.03	2.30
400	18044030	55	70	165	18	60	19.03	4.20

Gripping ranges using standard hard top jaws on AP-RD and NT-RD chucks

Chuck Ø	Id. No.	A1 mm	A2 mm	A3 mm	A4 mm	J1 mm	J2 mm	J3 mm
170	18081736	15-75	-	55-115	105-155	65-120	110-170	145-205
215	18082136	20-95	-	65-145	140-200	75-150	140-215	185-260
260	18082636	20-105	-	95-175	170-245	80-160	150-235	220-305
315	18083136	35-130	-	105-205	190-290	110-195	190-280	265-350
400	18084036	45-170	-	145-275	245-370	135-255	230-350	325-450

Spare quick jaw change T-wrenches

- Normal T-wrenches
- Torque wrenches for correct tightening of the quick jaw change bolt (option)

Chuck Ø	Hexagon mm	Correct torque Md Nm	"T" wrench Id. No.
170	6	23	51500812
215	8	45	51500816
260	10	70	51500820
315	12	110	51500822
400	14	200	51500824

Special grease for fully sealed chucks

- Resistant against high surface pressure
- For long lubrication intervals
- For proofline® chucks

Grease Grease Gun

**Important for maintenance and safe operation,
to be ordered with the chuck**

Grease K67®

Special grease for fully sealed chucks
included in proofline® series



Cartridge 14 Oz. (DIN 1284)
Grease content 500 g
Id. No. 10731223

Can 1000 g
Id. No. 10731224



- For proofline chucks with permanent grease lubrication
- Basic components: mineral oils and lithium
- Without solvents

Grease gun

Grease gun (DIN 1283) for
cartridges 14 Oz. (DIN 1284)

- Also refillable from grease can 1000 g.



Lubrication set Id. No. 083726

Supply range

- Grease gun
- 1 Adapter flexible for high pressure grease nipple
- 1 Adapter for cone grease nipple

Notes

A large rectangular area filled with horizontal stripes in two shades of blue: a medium blue and a light blue. The stripes alternate in a repeating pattern, creating a template for writing notes.

Pull-down chucks ■ Compensating chucks ■ Indexing chucks Shaft chucks ■ Column chucks ■ 6-jaw 2+2+2 chucks (page 1 of 2)



proofline® series
fully sealed - low maintenance


Page 172

TSF-C
Self centering
Floating jaws

TSR-C
Self centering
Rigid jaws

Pull-down chucks Ø 135 - 650 mm

- Active pull-down
- Tongue & groove
- 3 jaws
- **proofline® chucks** = fully sealed - low maintenance




proofline® series
fully sealed - low maintenance

Page 190

FRS
Self centering
Rigid jaws

Lever chucks Ø 215 - 365 mm

- Large through-hole
- Tongue & groove
- Pull-down
- **proofline® chucks** = fully sealed - low maintenance



proofline® series
fully sealed - low maintenance

Page 174

TSF-C
Self centering
Floating jaws

Pull-down chucks Ø 170 - 315 mm

- Active pull-down
- Tongue & groove
- 2 jaws
- **proofline® chucks** = fully sealed - low maintenance



proofline® series
fully sealed - low maintenance

Page 192

TPT-C
2+2 independent jaw movement,
TONGUE & GROOVE

High precision power chucks Ø 210 - 400 mm

- Closed center
- Tongue & groove



proofline® series
fully sealed - low maintenance

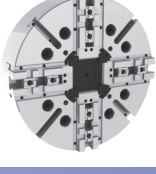
Page 176

TSF-RM
Self centering
Floating jaws

TSR-RM
Self centering
Rigid jaws

Quick jaw change pull-down chucks Ø 170 - 530 mm

- Quick jaw change with pallets
- Active pull-down
- Tongue & groove pallets
- 3 jaws
- **proofline® chucks** = fully sealed - low maintenance



proofline® series
fully sealed - low maintenance

Page 194

TPT-C
2+2 independent jaw movement,
TONGUE & GROOVE

High precision power chucks Ø 500 - 800 mm

- Closed center
- Tongue & groove



proofline® series
fully sealed - low maintenance

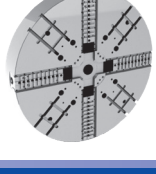
Page 178

TSF-CP
Compensating
Floating jaws

TSR-CP
Compensating
Rigid jaws

Compensating pull-down chucks Ø 135 - 650 mm

- Active pull-down
- Tongue & groove
- 3 jaws
- **proofline® chucks** = fully sealed - low maintenance



proofline® series
fully sealed - low maintenance

Page 196

TPT-RC
2+2 independent jaw movement,
TONGUE & GROOVE

High precision power chucks Ø 1000 - 2000 mm

- Individual jaw regulation
- Closed center
- Tongue & groove



proofline® series
fully sealed - low maintenance

Page 180

TSF-CP
Compensating
Floating jaws

Compensating pull-down chucks Ø 170 - 315 mm

- Active pull-down
- Tongue & groove
- 2 jaws
- **proofline® chucks** = fully sealed - low maintenance



proofline® series
fully sealed - low maintenance

Page 198

TX-C
Self centering
Rigid jaws

Pull-down chucks Ø 170 - 530 mm

- Active pull-down
- Tongue & groove
- 3 jaws
- **proofline® chucks** = fully sealed - low maintenance



proofline® series
fully sealed - low maintenance

Page 182

TSBF-C
Self centering
Floating jaws

TSBR-C
Self centering
Rigid jaws

Pull-down chucks Ø 220 - 330 mm

- Active pull-down
- Large through-hole
- Tongue & groove
- 3 jaws
- **proofline® chucks** = fully sealed - low maintenance



proofline® series
fully sealed - low maintenance

Page 200

TX-RV
Self centering
Rigid jaws

Pull-down chucks Ø 170 - 530 mm

- Active pull-down
- Quick jaw change (internal / external)
- 3 jaws
- **proofline® chucks** = fully sealed - low maintenance



proofline® series
fully sealed - low maintenance

Page 184

TSBF-CP
Compensating
Floating jaws

TSBR-CP
Compensating
Rigid jaws

Compensating pull-down chucks Ø 220 - 330 mm

- Active pull-down
- Large through-hole
- Tongue & groove
- 3 jaws
- **proofline® chucks** = fully sealed - low maintenance



proofline® series
fully sealed - low maintenance

Page 202

TSX-C
Pull down chuck
4 jaws 2+2

High precision pull-down chucks Ø 265 - 315 mm

- Active pull-down
- Tongue & groove
- 2+2 jaws
- **proofline® chucks** = fully sealed - low maintenance



proofline® series
fully sealed - low maintenance

Page 188

FRC-N
Compensating
Rigid jaws

Lever chucks Ø 215 - 365 mm

- Large compensating stroke
- Pull-down
- Center point adjustable
- Tongue & groove
- **proofline® chucks** = fully sealed - low maintenance



Pull-down chucks ■ Compensating chucks ■ Indexing chucks Shaft chucks ■ Column chucks ■ 6-jaw 2+2+2 chucks (page 2 of 2)



TEF-C
2+2+2 equalising
Self centering
floating jaws
Pull-down chucks Ø 260 - 850 mm

- Active pull-down
- Tongue & groove
- 6 jaws (2+2+2) all sizes
- **proofline® chucks** = fully sealed - low maintenance

Page 204



GSA
Shaft chuck
with face driver
Shaft turning chucks Ø 200 - 480 mm

- Compensating clamping of master jaws
- Retractable jaws
- Complete machining of shafts in one setup
- **proofline® chucks** = fully sealed - low maintenance

232



SJL
6-jaw (2+2+2) equalising
Self centering
High precision power chucks Ø 225 - 800 mm

- For thin walled or deformation sensitive components
- Tongue & groove / metric serration
- Centrifugal force compensation
- Jaws equalising as a pair / mechanism lockable
- **proofline® chucks** = fully sealed - low maintenance

Page 206



SCG
4 jaw (2+2)
compensating chucks
Compensating chucks Ø 206 mm

- For grinding
- Centerpoint quick change or adjustable centers
- Hydraulic actuation
- 2+2 jaw independently operated in pairs
- Fully sealed, oil bath lubricated and low maintenance

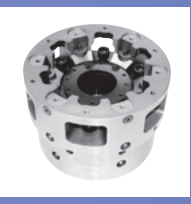
234



SJLS
6-jaw (2+2+2) equalising
Self centering
High precision power chucks Ø 225 - 400 mm

- For thin walled or deformation sensitive components
- Tongue & groove / metric serration
- Low height
- Jaws equalising as a pair / mechanism lockable
- **proofline® chucks** = fully sealed - low maintenance

Page 212



ACS
Self centering
column chucks
Pull-down chucks Ø 110 - 520 mm

- ACS-E: for external clamping
- ACS-I: for internal clamping
- 3 and 6 jaws
- 5 jaws (ACS-E 5-520 only)

236



IEP-D
2+2+2 equalising
INCH SERRATION
High precision 6 jaw chucks Ø 400 - 800 mm

- Closed center
- 6 jaws (2+2+2) all sizes
- Centrifugal force compensation
- **proofline® chucks** = fully sealed - low maintenance

Page 214



IEP-D
2+2+2 equalising
MODULE 2 SERRATION
High precision 6 jaw chucks Ø 1000 - 1600 mm

- Closed center
- 6 jaws (2+2+2) all sizes
- Centrifugal force compensation
- **proofline® chucks** = fully sealed - low maintenance

Page 216



AXN®
Automatic
indexing chuck
Automatic indexing chucks Ø 210 - 1250 mm

- Hydraulic clamping and indexing
- Divisions: 4 x 90°/ 8 x 45°/ 3 x 120°/ 6 x 60° or specials
- 2 jaws
- **proofline® chucks** = fully sealed - low maintenance

Page 218



W
Shaft chuck
with face driver
Shaft turning chucks Ø 215 - 460 mm

- Compensating or self centering clamping
- Quick change for jaws and face driver
- Retractable jaws via retractable jaw carrier
- Complete machining of shafts in one setup
- **proofline® chucks** = fully sealed - low maintenance

Page 222



CSC
Crank shaft chuck with retractable jaws
Crank shaft chuck Ø 260 - 325 mm

- Axially movable and lockable center point
- Retractable jaws via retractable jaw carrier
- Balancing chambers for fine balancing on the machine
- **proofline® chucks** = fully sealed - low maintenance

Page 228

TSF-C

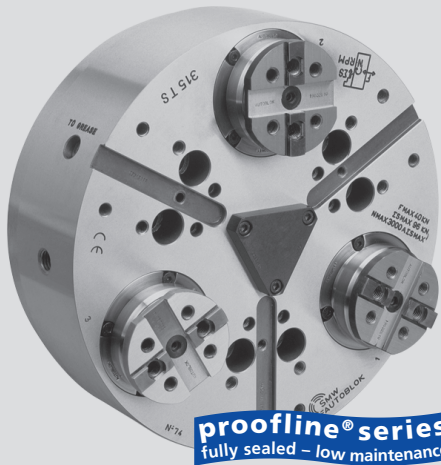
Self centering
Floating jaws

TSR-C

Self centering
Rigid jaws

High precision pull-down chuck \varnothing 135 - 650 mm

- Active pull-down
- Tongue & groove
- 3 jaws



Application/customer benefits

- Clamping of workpieces with highest demand for **parallelism**
- **Highest productivity** with long maintenance intervals
- Constant gripping force and long lifetime ensure constant **quality of workpieces**

TSF-C: Floating base jaws to clamp raw and easy deformed workpieces (6-point-contact)

TSR-C: Rigid base jaws for precise clamping on pre machined diameters

Technical features

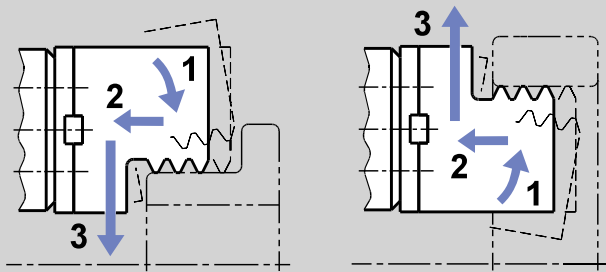
- Active pull-down
- Centrifugal force compensation
- TONGUE & GROOVE base jaws
- Central bore for coolant and / or air
- Permanent grease lubrication
- **proofline® chucks** = fully sealed - low maintenance

Standard equipment

3-jaw chuck
Mounting bolts

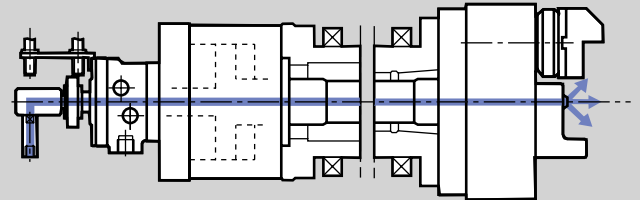
Ordering example

3-jaw chuck TSF-C 210 / A6
or
3-jaw chuck TSR-C 315 / Z220



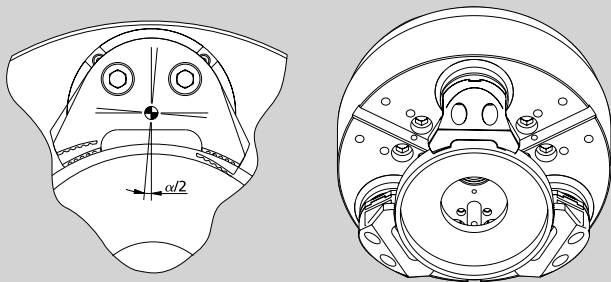
Principle of function:

- 1 pre-clamping - 2 active pull-down - 3 clamping
- For O.D. and I.D. clamping.



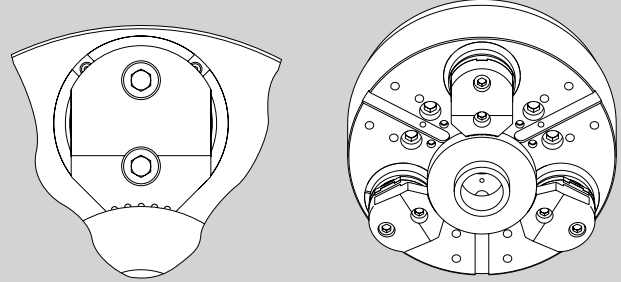
- TSF-C and TSR-C chucks operated with a SIN-S cylinder with central bore for air sensing / coolant flush.

TSF-C



TSF-C: Floating jaws for clamping raw / easy deformed workpieces with 6-point-contact.

TSR-C



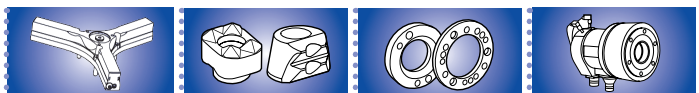
TSR-C: Rigid jaws for precise clamping on premachined diameters with 3-point-contact.

Technical data

SMW-AUTOBLOK Type		TSF-C 135 TSR-C 135	TSF-C 170 TSR-C 170	TSF-C 210 TSR-C 210	TSF-C 250 TSR-C 250	TSF-C 315 TSR-C 315	TSF-C 400 TSR-C 400	TSF-C 530 TSR-C 530	TSF-C 650 TSR-C 650
Angular jaw stroke U°	deg.	5°	5.2°	5.2°	4.9°	4.9°	4.7°	4.7°	5°
Radial jaw stroke at distance h	mm	3.4	5.3	6.3	7	7	7.5	7.5	9.8
Pull down movement (standard)	mm	0.1	0.1	0.1	0.1	0.1	0.2	0.2	0.4
Axial piston stroke	mm	16	21	25	25	25	30	30	32
Max. draw pull**	kN	12	18	25	40	40	50	60	100
Max. gripping force at distance h**	kN	29	44	60	96	96	120	150	180
Max. speed*	r.p.m.	8000	5000	4500	3800	3000	2200	1800	1600
Weight (without top jaws)	kg	4.5	15	27	41	66	115	196	386
Moment of inertia	kg·m ²	0.015	0.06	0.16	0.34	0.83	2.3	7	21
Recommended actuating cylinders	SIN-S	70	85	100	125	125	150	150-175	150-175-200

* The above maximum speed is allowed with standard weight / height top jaws and applying the full draw pull only. For more information please contact SMW-AUTOBLOK.

** For internal clamping reduce the draw pull by 30%.



- on request:
• Tooling Standard
• Parts Catalog
- SMW-AUTOBLOK
• 466
- SMW-AUTOBLOK
• 460
- SMW-AUTOBLOK
• 321

High precision pull-down chuck Ø 135 - 650 mm

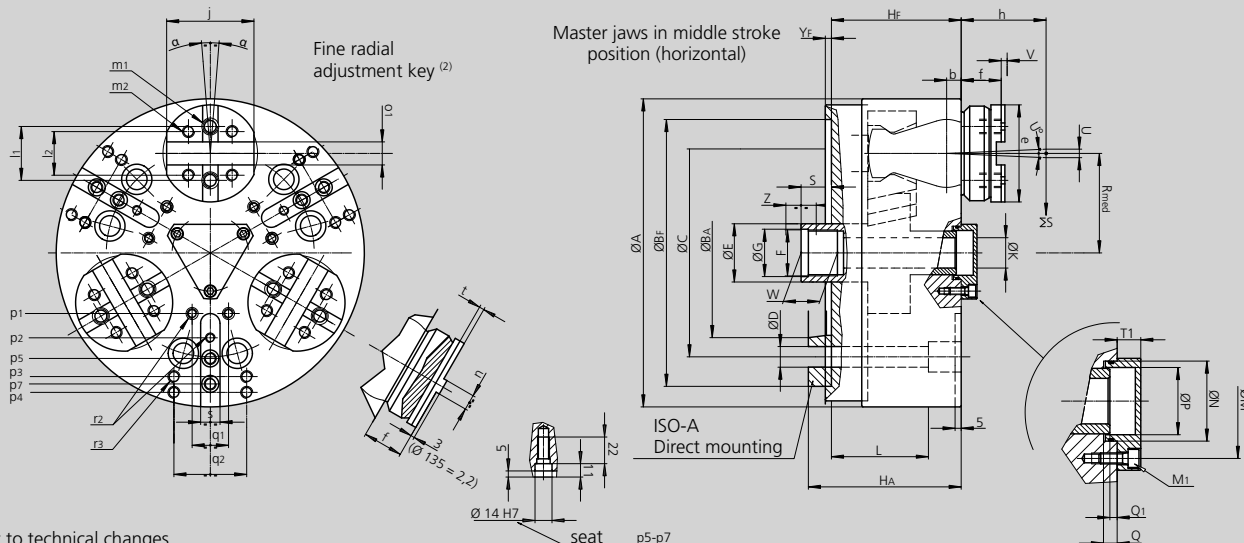
TSF-C

TSR-C

- Active pull-down
- Tongue & groove
- 3 jaws

Self centering
Floating jaws

Self centering
Rigid jaws



Subject to technical changes.
For more detailed information please ask our customer service.

4

SMW-AUTOBLOK Type			TSF-C 135 TSR-C 135		TSF-C 170 TSR-C 170			TSF-C 210 TSR-C 210		TSF-C 250 TSR-C 250		TSF-C 315 TSR-C 315		TSF-C 400 TSR-C 400		TSF-C 530 TSR-C 530		TSF-C 650 TSR-C 650		
Mounting			Z115	A4	Z140	A5	Z160	A6	Z170	A6	Z220	A8	Z220	A8	Z300	A11	Z380	A15	Z380	A15
	A	mm	135		173			212		254		315		390		535		650		
	Bf/BA H6	mm	115	65.513	140	82.563	160	106.375	170	106.375	220	139.719	220	139.719	300	196.869	380	285.775	380	285.775
	C	mm	82.6		104.8			133.4		171.4		171.4		235		330.2		330.2		
	D	mm	11		11.5			13.5		13.5		17		21		25		25		
	E	mm	25		36			38		48		48		75		75		100		
	F	mm	M20 x 1.5		M28 x 1.5			M32 x 1.5		M38 x 1.5		M38 x 1.5		M60 x 1.5		M60 x 1.5		M80 x 2		
	G H8	mm	20.5		29			33		39		39		61		61		81		
	Hf/HA	mm	64.5	72.5	83	98	83	100	100	117	107	126	107	126	127	148	132	155	155	178
Through-hole	K	mm	8.3		14			18		25		25		52		52		75		
	L	mm	52.5		56			82		80		80		74		77		97		
	M	mm	41		36			42		63		63		90		90		128		
Thread / depth	M1	mm	M4 / 9		M5 / 13			M6 / 11		M6 / 12		M6 / 12		M8 / 17		M8 / 17		M8 / 17		
	N H8	mm	28		28			34		44		44		75		75		150		
	P	mm	16		23			28.5		37		37		66		66		101		
	Q	mm	6		6			5.5		7.5		7.5		9		9		19		
At middle stroke	Q1	mm	0.5		3			2		4		4		4		4		21		
At middle stroke	Rmed	mm	42		55			64		82		107		130		190		245		
At middle stroke	S	mm	8		18			20		25		25		25		20		20		
Radial stroke	T1	mm	10		10			13		13		13		15		15		15		
Radial stroke	U°	deg.	5°		5.2°			5.2°		4.9°		4.9°		4.7°		4.7°		5°		
Radial stroke ⁽¹⁾ @ h	U	mm	3.4		5.3			6.3		7		7		7.5		7.5		9.8		
Pull-down s/d (option)	V	mm	0.1		0.1 (0.6)			0.1 (0.6)		0.1 (0.6)		0.1 (0.6)		0.2 (0.8)		0.2 (0.8)		0.4		
	W	mm	17		25			25		25		25		25		25		36		
Axial wedge stroke	Z	mm	16		21			25		25		25		30		30		32		
Only TSF-C	α	deg.	±2°		±2°			±2°		±1.5°		±1.5°		±1.5°		±1.5°		±1.3°		
	b	mm	8		9			10		12		12		12		12		12		
	e	mm	38		60			75		80		80		105		105		127		
	f	mm	13.8		27			33		33		33		32		32		46		
Reference height	h	mm	39		50			60		70		70		80		80		100		
	j	mm	42		55			65		72		72		100		100		116		
	l1	mm	19		32			38		44.4		44.4		63.5		63.5		63.5		
	l2	mm	15		24			32		36		36		48		48		54		
Thread / depth	m1	mm	M6 / 10		M10 / 16			M12 / 18		M12 / 18		M12 / 18		M16 / 22		M16 / 22		M20 / 26		
Thread / depth	m2	mm	M5 / 12		M8 / 14			M10 / 14		M10 / 14		M10 / 14		M12 / 22		M12 / 22		M16 / 24		
	n h8	mm	6.35		7.94			7.94		12.7		12.7		12.7		12.7		12.7		
	o1 H7	mm	7.94		12.68			12.68		19.03		19.03		19.03		19.03		19.03		
	p1	mm	-		-			30		50		60		80		(*)		(*)		
	p2	mm	-		35			-		70		80		110		(*)		(*)		
	p3	mm	-		65			80		102		102		140		(*)		(*)		
	p4	mm	-		-			-		-		135		170		(*)		(*)		
	p5	mm	-		-			87		87		-		-		(*)		(*)		
	p7	mm	57.5		-			-		108		108		-		(*)		(*)		
Thread / depth	q1	mm	-		-			8		30		30		36		(*)		(*)		
Thread / depth	q2	mm	18		36			45		60		60		80		(*)		(*)		
	r2	mm	-		M6 / 12			M6 / 12		M8 / 15		M8 / 15		M10 / 19		(*)		(*)		
	r3	mm	M6 / 14		M8 / 17			M8 / 17		M10 / 19		M10 / 19		M12 / 22		(*)		(*)		
	s	mm	-		16			16		16		16		20		(*)		(*)		
	t	mm	3.2		4			4		4		4		7		7		7		
	yf	mm	5		5			5		5		5		5		5		6		

(1) Calculated at h distance from the chuck's face (where normally the clamping takes place).

* For chuck Ø 135, Ø 530-650 please ask for customer drawing.

(2) SMW-AUTOBLOK 186: General catalog.

TSF-C

Self centering
Floating jaws

High precision pull-down chuck Ø 170 - 315 mm

- Active pull-down
- Tongue & groove
- 2 jaws

Application/customer benefits

- Clamping of workpieces with highest demand for **parallelism**
- Clamping of prismatic or asymmetrical parts with two jaws
- **Highest productivity** with long maintenance intervals
- Constant gripping force and long lifetime ensure **constant quality of workpieces**

Technical features

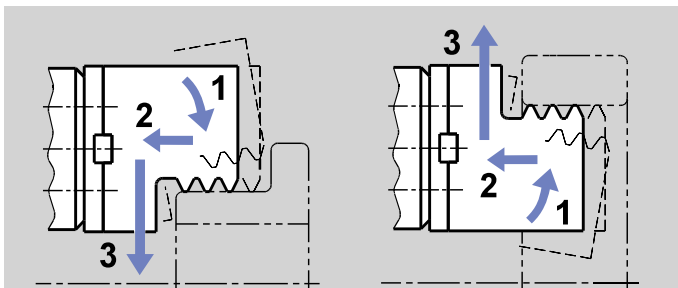
- 2-jaw design
- Active pull-down
- Floating base jaws for 4 point contact
- Centrifugal force compensation
- TONGUE & GROOVE base jaws
- Central bore for coolant and / or air
- Permanent grease lubrication
- **proofline® chucks** = fully sealed - low maintenance

Standard equipment

2-jaw chuck
Mounting bolts

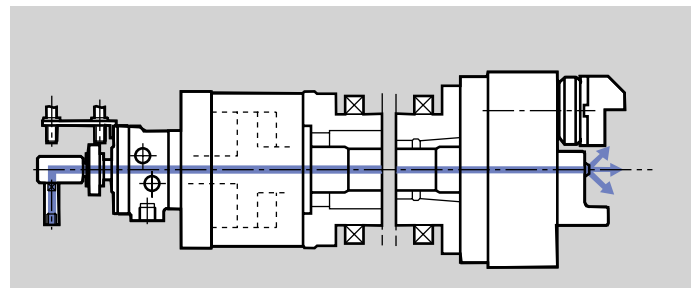
Ordering example

2-jaw chuck TSF-C 210 / A6



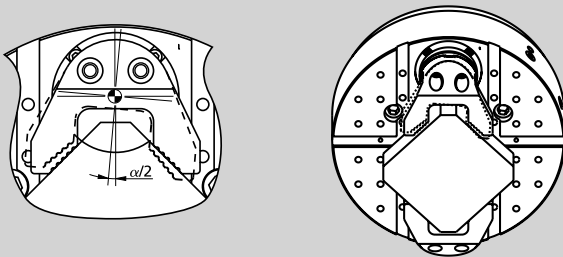
Principle of function:

- 1 pre-clamping - 2 active pull-down - 3 clamping
- For O.D. and I.D. clamping.



- TSF-C chucks operated with a SIN-S cylinder with central bore for air sensing and / or coolant flush.

TSF-C



TSF-C: Floating jaws for clamping raw / asymmetric workpieces with 4-point-contact.

Technical data

SMW-AUTOBLOK Type		TSF-C 170	TSF-C 210	TSF-C 250	TSF-C 315
Angular jaw stroke U°	deg.	5.2°	5.2°	4.9°	4.9°
Radial jaw stroke at distance h	mm	5.3	6.3	7	7
Pull down movement (standard)	mm	0.1	0.1	0.1	0.1
Axial piston stroke	mm	21	25	25	25
Max. draw pull**	kN	12	17	27	27
Max. gripping force at distance h**	kN	30	40	64	64
Max. speed*	r.p.m.	5000	4500	3800	3000
Weight (plain back without top jaws)	kg	15	27	41	66
Moment of inertia	kg·m ²	0.06	0.16	0.34	0.83
Recommended actuating cylinders	Type	SIN-S 70	SIN-S 85	SIN-S 100	SIN-S 100

* The above maximum speed is allowed with standard weight / height top jaws and applying the full draw pull only. For more information please contact SMW-AUTOBLOK.

**For internal clamping reduce the draw pull by 30%.



SMW-AUTOBLOK
466

SMW-AUTOBLOK
460

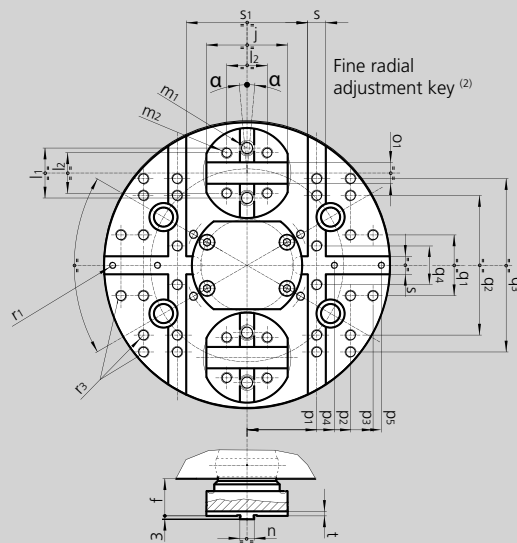
SMW-AUTOBLOK
321

High precision pull-down chuck Ø 170 - 315 mm

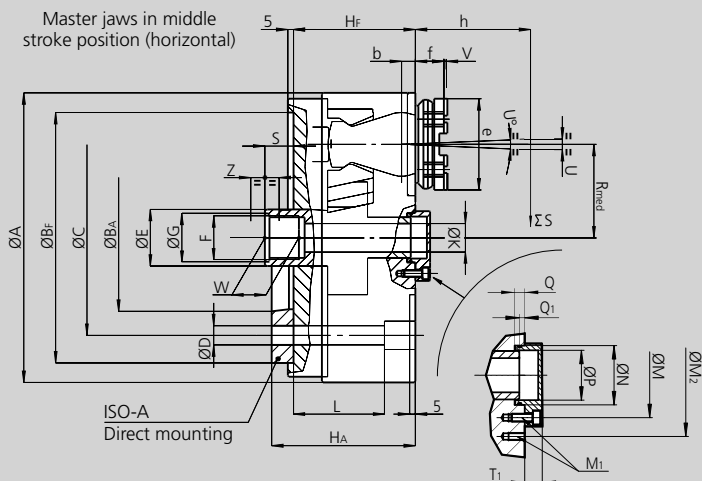
TSF-C

- Active pull-down
- Tongue & groove
- 2 jaws

Self centering
Floating jaws



Master jaws in middle stroke position (horizontal)



Subject to technical changes.
For more detailed information please ask our customer service.

SMW-AUTOBLOK Type			TSF-C 170		TSF-C 210		TSF-C 250		TSF-C 315	
Mounting			Z140	A5	Z170	A6	Z220	A8	Z220	A8
	A	mm	173		212		254		315	
	BF/BAH6	mm	140	82.563	170	106.375	220	139.719	220	139.719
	C	mm	104.8		133.4		171.4		171.4	
	D	mm	11.5		13.5		17		17	
	E	mm	36		38		48		48	
	F	mm	M28 x 1.5		M32 x 1.5		M38 x 1.5		M38 x 1.5	
	G H8	mm	29		33		39		39	
	HF/HA	mm	83	98	100	117	107	126	107	126
Through-hole	K	mm	14		18		25		25	
	L	mm	56		82		80		80	
	M	mm	54		63		82		82	
Thread / depth	M1	mm	M8 / 16		M8 / 16		M8 / 16		M8 / 16	
	M2	mm	-		90		110		110	
	N H5	mm	35		42		70		70	
	P	mm	30.2		36.5		56		56	
At middle stroke	Q	mm	6		7.5		7.5		7.5	
	Q1	mm	3.2		2.5		4.5		4.5	
	Rmed	mm	55		64		82		107	
Radial stroke	S	mm	18.2		20.5		25.5		25.5	
	T1	mm	11.5		14.5		14		14	
	U°	deg.	5.2°		5.2°		4.9°		4.9°	
Radial stroke at distance h ⁽¹⁾	U	mm	5.3		6.3		7		7	
	V	mm	0.1		0.1		0.1		0.1	
	W	mm	25		25		30		30	
Axial piston stroke	Z	mm	21		25		25		25	
	α	deg.	±2°		±2°		±1.5°		±1.5°	
	b	mm	9		10		12		12	
Reference height	e	mm	60		75		80		80	
	f	mm	27		33		33		33	
	h	mm	50		60		70		70	
	j	mm	55		65		72		72	
	l1	mm	32		38		44.4		44.4	
	l2	mm	24		32		36		36	
	m1	mm	M10 / 16		M12 / 18		M12 / 18		M12 / 18	
Thread / depth	m2	mm	M8 / 14		M10 / 14		M10 / 14		M10 / 14	
	n h8	mm	7.94		7.94		12.7		12.7	
	o1 H7	mm	12.68		12.68		19.03		19.03	
	p1	mm	50		55		62		62	
	p2	mm	66		80		92		92	
	p3	mm	78		95		112		122	
	p4	mm	60		55		62		62	
	p5	mm	80		80		92		92	
	q1	mm	30		30		54		54	
	q2	mm	84		110		128		128	
	q3	mm	-		-		-		202	
	q4	mm	20		30		54		54	
	r1	mm	M6 / 14		M6 / 14		M6 / 14		M6 / 14	
	r3	mm	M8 / 16		M8 / 17		M10 / 18		M10 / 18	
	s H6	mm	16		16		16		16	
s1 k5	mm	84		94		108		108		
t	mm	4		4		4		4		

⁽¹⁾ Calculated at **h** distance from the chuck's face (where normally the clamping takes place).

⁽²⁾ SMW-AUTOBLOK 186: General catalog.

TSF-RM

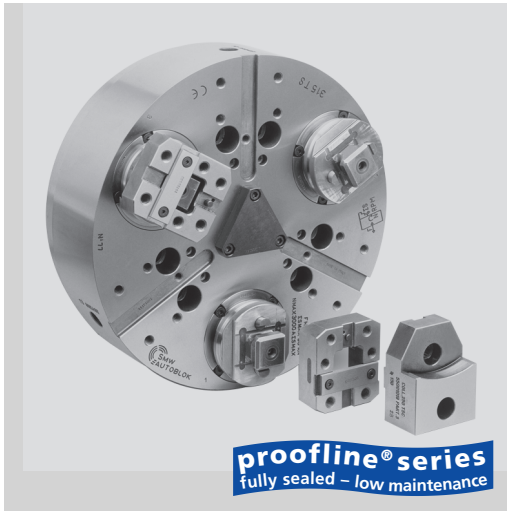
TSR-RM

Quick jaw change pull-down chuck Ø 170 - 530 mm

Self centering
Floating jaws

Self centering
Rigid jaws

- Active pull-down
- Quick jaw change with pallets
- Tongue & groove pallets - 3 jaws



Application/customer benefits

- Quick jaw change via pallets for quick setup
- Clamping of workpieces with highest demand for **parallelism**
- Highest productivity with long maintenance intervals
- Constant gripping force and long lifetime ensure **constant quality of workpieces**

TSF-RM: Floating base jaws to clamp raw and / or easy deformed workpieces (6-point-contact)

TSR-RM: Rigid base jaws for precise clamping on premachined diameters

Technical features

- For O.D. clamping only
- Active pull-down
- Precise quick jaw change via pallets
- Centrifugal force compensation
- Central bore for coolant and / or air
- Permanent grease lubrication
- **proofline® chucks** = fully sealed - low maintenance

Standard equipment

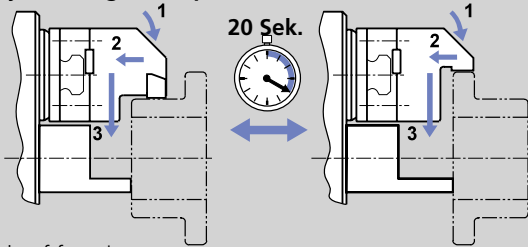
3-jaw chuck
Key
Mounting bolts

Ordering example

3-jaw chuck TSF-RM 210/A6
or
3-jaw chuck TSR-RM 315/Z220

TSF-RM / TSR-RM

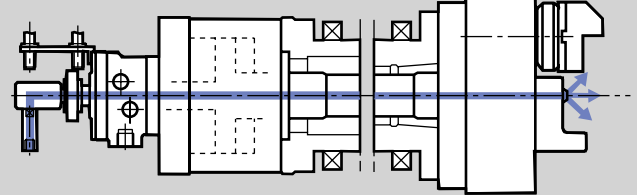
Quick jaw change with pallets



Principle of function:

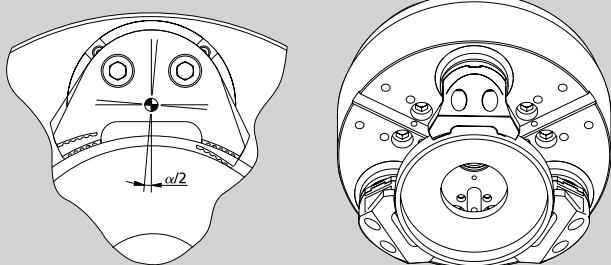
- 1 pre-clamping - 2 active pull-down - 3 clamping
- For O.D. clamping only.

TSF-RM / TSR-RM



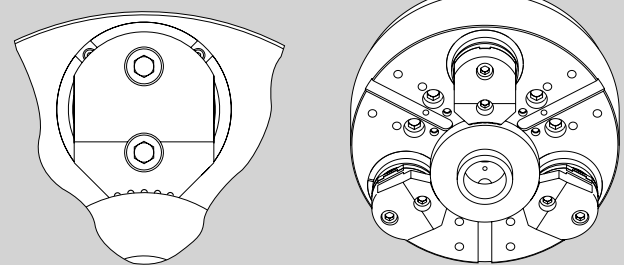
- TSF-RM and TSR-RM chucks operated with a SIN-S cylinder with central bore for air sensing and / or coolant flush.

TSF-RM



TSF-RM: Floating jaws to clamp raw / easy deformed workpieces quick jaw change with pallets with 6-point-contact.

TSR-RM



TSR-RM: Rigid jaws for precise clamping on premachined diameters with 3-point-contact, quick jaw change with pallets.

Technical data

SMW-AUTOBLOK Type		TSF-RM 170 TSR-RM 170	TSF-RM 210 TSR-RM 210	TSF-RM 250 TSR-RM 250	TSF-RM 315 TSR-RM 315	TSF-RM 400 TSR-RM 400	TSF-RM 530 TSR-RM 530
Angular jaw stroke U°	deg.	5.2°	5.2°	4.9°	4.9°	4.7°	4.7°
Radial jaw stroke at distance h	mm	5.3	6.3	7	7	7.5	7.5
Pull down movement (standard)	mm	0.1	0.1	0.1	0.1	0.2	0.2
Axial piston stroke	mm	21	25	25	25	30	30
Max. draw pull**	kN	18	25	40	40	50	60
Max. gripping force at distance h **	kN	44	60	96	96	120	150
Max. speed*	r.p.m.	5000	4500	3800	3000	2200	1800
Weight (plain back without top jaws)	kg	15	27	41	66	115	196
Moment of inertia	kg-m ²	0.06	0.16	0.34	0.83	2.3	7

Recommended actuating cylinders	Type	SIN-S 85	SIN-S 100	SIN-S 125	SIN-S 125	SIN-S 150	SIN-S 150-175
---------------------------------	------	----------	-----------	-----------	-----------	-----------	---------------

* The above maximum speed is allowed with standard weight / height top jaws and applying the full draw pull only. For more information please contact SMW-AUTOBLOK.

**For internal clamping reduce the draw pull by 30%.

	QUICK CHANGE PALLETS				
on request: Tooling Standard Parts Catalog	SMW-AUTOBLOK 186	SMW-AUTOBLOK 466	SMW-AUTOBLOK 460	SMW-AUTOBLOK 321	SMW-AUTOBLOK 321

Quick jaw change pull-down chuck Ø 170 - 530 mm

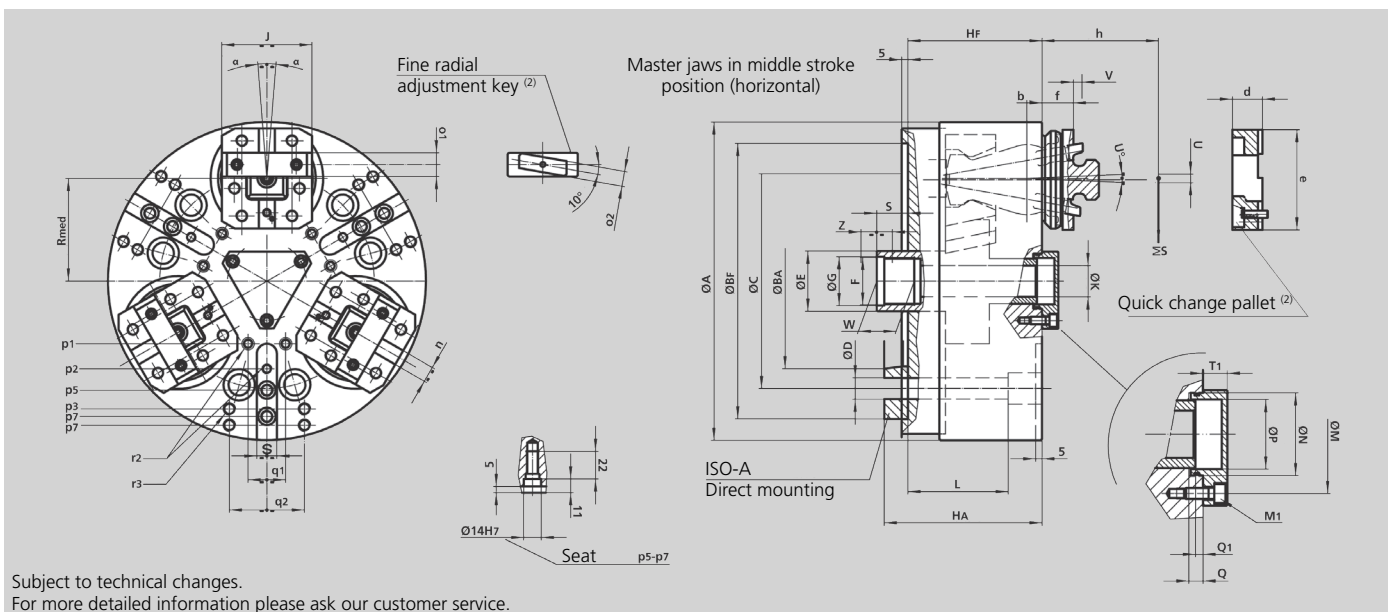
TSF-RM

TSR-RM

- Active pull-down
- Quick jaw change with pallets
- Tongue & groove pallets - 3 jaws

Self centering
Floating jaws

Self centering
Rigid jaws



Subject to technical changes.
For more detailed information please ask our customer service.

4

SMW-AUTOBLOK Type			TSF-RM 170 TSR-RM 170				TSF-RM 210 TSR-RM 210		TSF-RM 250 TSR-RM 250		TSF-RM 315 TSR-RM 315		TSF-RM 400 TSR-RM 400		TSF-RM 530 TSR-RM 530	
Mounting			Z140	A5	Z160	A6	Z170	A6	Z220	A8	Z220	A8	Z300	A11	Z380	A15
	A	mm	173				212		254		315		390		535	
	Bf/BA H6	mm	140	82.563	160	106.375	170	106.375	220	139.719	220	139.719	300	196.869	380	285.775
	C	mm	104.8		133.4		133.4		171.4		171.4		235		330.2	
	D	mm	11.5		13.5		13.5		17		17		21		25	
	E	mm	36				38		48		48		75		75	
	F	mm	M28 x 1.5				M32 x 1.5		M38 x 1.5		M38 x 1.5		M60 x 1.5		M60 x 1.5	
	G H8	mm	29				33		39		39		61		61	
	Hf/HA	mm	83	98	83	100	100	117	107	126	107	126	127	148	132	155
Through-hole	K	mm	14				18		25		25		52		52	
	L	mm	56				82		80		80		74		77	
	M	mm	36				42		63		63		90		90	
Thread / depth	M1	mm	M5 / 13				M6 / 11		M6 / 12		M6 / 12		M8 / 17		M8 / 17	
	N H8	mm	28				34		44		44		75		75	
	P	mm	23				28.5		37		37		66		66	
	Q	mm	6				5.5		7.5		7.5		9		9	
At middle stroke	Q1	mm	3				2		4		4		4		4	
At middle stroke	Rmed	mm	55				64		82		107		130		190	
At middle stroke	S	mm	18				20		25		25		25		20	
Radial stroke	T1	mm	10				13		13		13		15		15	
Radial stroke	U°	deg.	5.2°				5.2°		4.9°		4.9°		4.7°		4.7°	
Radial stroke ⁽¹⁾ @ h	U	mm	5.3				6.3		7		7		7.5		7.5	
Pull-down s/d (option)	V	mm	0.1				0.1		0.1		0.1		0.2		0.2	
	W	mm	25				25		25		25		25		25	
Axial piston stroke	Z	mm	21				25		25		25		30		30	
Only TSF-RM max.	α	deg.	±2°				±2°		±1.5°		±1.5°		±1.5°		±1.5°	
	b	mm	9				10		12		12		12		12	
	d	mm	18				22		24		24		30		30	
	e	mm	60				75		80		80		105		105	
	f	mm	24				25		25		25		28.5		28.5	
Reference height	h	mm	50				60		70		70		80		80	
	j	mm	55				65		72		72		100		100	
	n h8	mm	7.94				7.94		12.7		12.7		12.7		12.7	
	o1 H7	mm	12.68				12.68		19.03		19.03		19.03		19.03	
	o2 h7	mm	9				9		12		12		12		12	
	p1	mm	-				30		50		60		(*)		(*)	
	p2	mm	35				-		70		80		(*)		(*)	
	p3	mm	65				80		102		102		(*)		(*)	
	p4	mm	-				-		-		135		(*)		(*)	
	p5	mm	-				87		87		-		(*)		(*)	
	p7	mm	-				-		108		108		(*)		(*)	
	q1	mm	-				8		30		30		(*)		(*)	
	q2	mm	36				45		60		60		(*)		(*)	
Thread / depth	r2	mm	M6 / 12				M6 / 12		M8 / 15		M8 / 15		(*)		(*)	
Thread / depth	r3	mm	M8 / 17				M8 / 17		M10 / 19		M10 / 19		(*)		(*)	
	s	mm	16				16		16		16		20		20	

(1) Calculated at h distance from the chuck's face (where normally the clamping takes place).

* For chuck Ø 400-530 please ask for customer drawing.

(2) SMW-AUTOBLOK 186: General catalog.

TSF-CP

Compensating
Floating jaws

TSR-CP

Compensating
Rigid jaws

Compensating pull-down chuck \varnothing 135 - 650 mm

- Active pull-down
- Tongue & groove
- 3 jaws



Application/customer benefits

- Clamping of shafts or chuck parts where the reference is not the O.D. but a center or a centering diameter
- A center point or a centering insert will center the workpieces and the jaws will clamp compensating and actively pull the workpiece down to the datum

TSF-CP: Compensating clamping with active pull down and floating base jaws

TSR-CP: Compensating clamping with active pull down and rigid base jaws

Technical features

- Active pull-down
- Compensating clamping
- Centrifugal force compensation
- TONGUE & GROOVE base jaws
- Central bore for coolant and / or air
- Permanent grease lubrication
- **proofline® chucks** = fully sealed - low maintenance

Standard equipment

3-jaw chuck
Mounting bolts

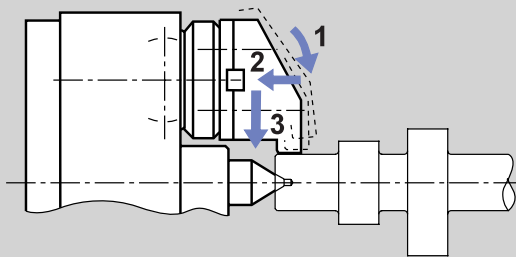
Ordering example

3-jaw chuck TSF-CP 210 / A6

or

3-jaw chuck TSR-CP 315 / Z220

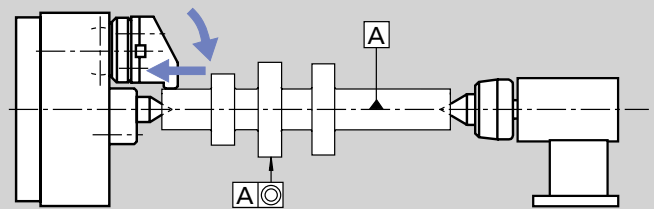
TSF-CP/TSR-CP



Principle of function:

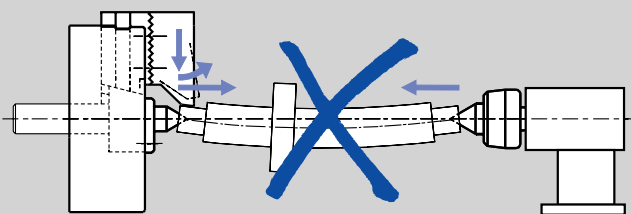
- 1 compensating pre-clamping - 2 active pull-down - 3 clamping

TSF-CP/TSR-CP



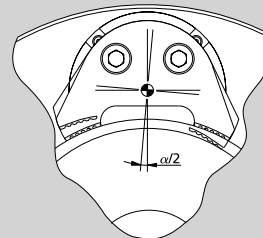
- The workpiece is actively pulled down to the center point. The tailstock just supplies the necessary force to support the workpiece. The result is an exact cylindrical and straight workpiece.

Non active pull down compensating chuck



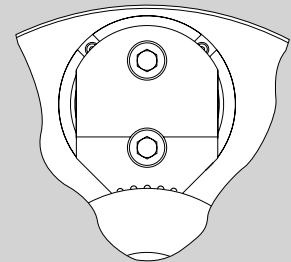
- The workpiece is lifted by the jaws from the center point. When a higher tailstock force is applied for compensation, the workpiece will be bent.

TSF-CP



Floating jaws

TSR-CP



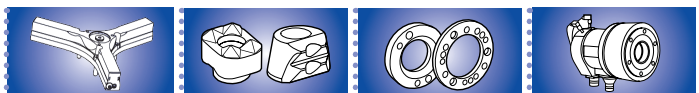
Rigid jaws

Technical data

SMW-AUTOBLOK Type		TSF-CP 135 TSR-CP 135	TSF-CP 170 TSR-CP 170	TSF-CP 210 TSR-CP 210	TSF-CP 250 TSR-CP 250	TSF-CP 315 TSR-CP 315	TSF-CP 400 TSR-CP 400	TSF-CP 530 TSR-CP 530	TSF-CP 650 TSR-CP 650
Angular jaw stroke U°	deg.	5°	5.2°	5.2°	4.9°	4.9°	4.7°	4.7°	5°
Radial jaw stroke at distance h	mm	3.4	5.3	6.3	7	7	7.5	7.5	9.8
Pull down movement (standard)	mm	0.1	0.1	0.1	0.1	0.1	0.2	0.2	0.4
Axial piston stroke	mm	16	21	25	25	25	30	30	32
Compensation (on the dia.) at distance h	mm	± 0.7	± 1	± 1.5	± 2.5	± 2.5	± 2.5	± 2.5	± 3
Max. draw pull**	kN	12	18	25	40	40	50	60	100
Max. gripping force at distance h**	kN	29	44	60	96	96	120	150	180
Max. speed*	r.p.m.	8000	5000	4500	3800	3000	2200	1800	1600
Weight (plain back without top jaws)	kg	4.5	15	27	41	66	115	196	386
Moment of inertia	kg·m ²	0.015	0.06	0.16	0.34	0.83	2.3	7	21
Recommended actuating cylinders	SIN-S	70	85	100	125	125	150	150-175	150-175-200

* The above maximum speed is allowed with standard weight / height top jaws and applying the full draw pull only. For more information please contact SMW-AUTOBLOK.

**For internal clamping reduce the draw pull by 30%.



on request:
Tooling Standard
Parts Catalog

SMW-AUTOBLOK
466

SMW-AUTOBLOK
460

SMW-AUTOBLOK
321

Compensating pull-down chuck \varnothing 135 - 650 mm

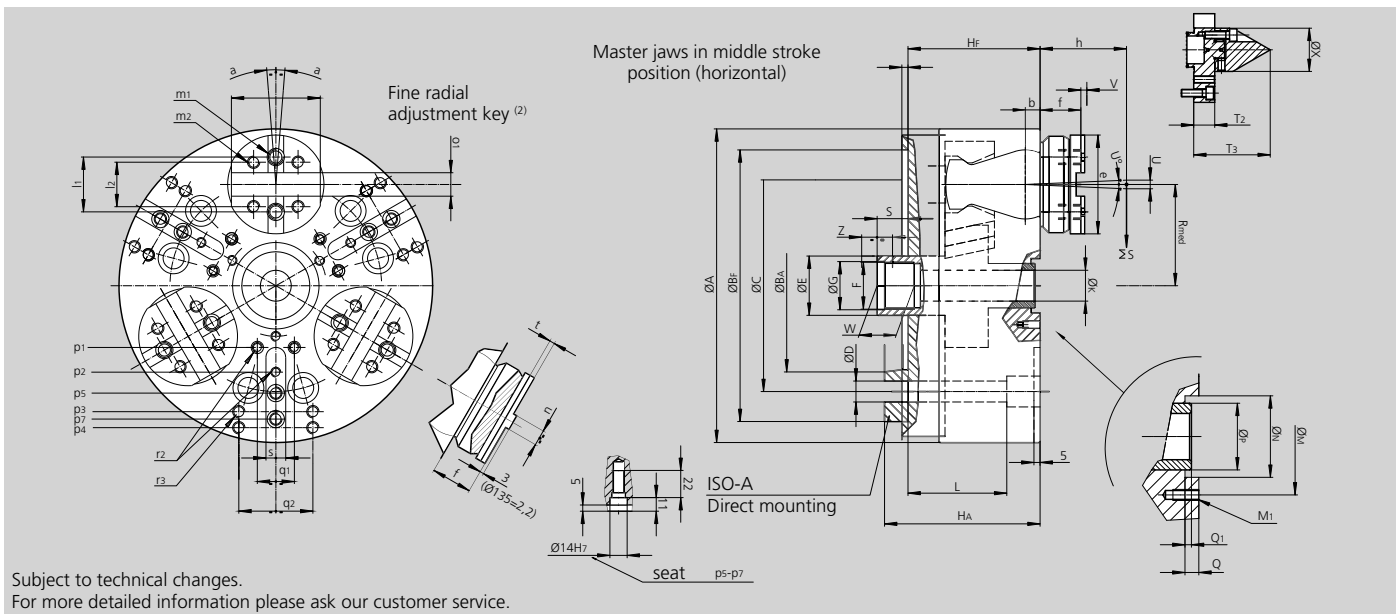
TSF-CP

TSR-CP

- Active pull-down
- Tongue & groove
- 3 jaws

Compensating
Floating jaws

Compensating
Rigid jaws



Subject to technical changes.
For more detailed information please ask our customer service.

4

SMW-AUTOBLOK Type		TSF-CP 135 TSR-CP 135		TSF-CP 170 TSR-CP 170			TSF-CP 210 TSR-CP 210		TSF-CP 250 TSR-CP 250		TSF-CP 315 TSR-CP 315		TSF-CP 400 TSR-CP 400		TSF-CP 530 TSR-CP 530		TSF-CP 650 TSR-CP 650		
Mounting		Z115	A4	Z140	A5	Z160	A6	Z170	A6	Z220	A8	Z220	A8	Z300	A11	Z380	A15	Z380	A15
	A	mm 135		173			212		254		315		390		535		650		
	BF/BAH6	mm 115	63.513	140	82.563	160	106.375	170	106.375	220	139.719	220	139.719	300	196.869	380	285.775	380	285.775
	C	mm 82.6		104.8			133.4		171.4		171.4		235		330.2		330.2		
	D	mm 11		11.5			13.5		17		17		21		25		25		
	E	mm 25		36			38		48		48		75		75		100		
	F	mm M20 x 1.5		M28 x 1.5			M32 x 1.5		M38 x 1.5		M38 x 1.5		M60 x 1.5		M60 x 1.5		M80 x 2		
	G H8	mm 20.5		29			33		39		39		61		61		81		
	HF/HA	mm 64.5	72.5	83	98	83	100	100	117	107	126	107	126	127	148	132	155	155	178
Through-hole	K	mm 8.3		4			12.5		25		25		52		52		75		
	L	mm 52.5		56			82		80		80		74		77		97		
	M	mm 41		36			42		82		-		90		90		128		
Thread / depth	M1	mm M4 / 9		M5 / 10			M6 / 11		M8 / 17		-		M8 / 17		M8 / 17		M8 / 17		
	N H8	mm 28		28			34		70		85		75		75		150		
	P	mm 25		20			28		55		55		66		66		101		
	Q	mm 6		6			5.5		7.5		7.5		9		9		19		
At middle stroke	Q1	mm 0.5		3			2		4		4		4		4		21		
At middle stroke	Rmed	mm 42		55			64		82		107		130		190		245		
At middle stroke	S	mm 8		18			20		25		25		25		20		20		
	T2	mm 3.5		17			11		22		26		28		28		-		
	T3	mm 22.5		62			67		68		72		95		95		-		
Radial stroke	U°	deg. 5°		5.2°			5.2°		4.9°		4.9°		4.7°		4.7°		5°		
Radial stroke ⁽¹⁾ @ h	U	mm 3.4		5.3			6.3		7		7		7.5		7.5		9.8		
Pull-down s/d (option)	V	mm 0.1		0.1			0.1		0.1		0.1		0.2		0.2		0.4		
	W	mm 17		25			25		25		25		25		25		36		
	X	mm 12		35			46		60		60		116		116		-		
Axial piston stroke	Z	mm 16		21			25		25		25		30		30		32		
Only TSF-CP max.	α	deg. ±2°		±2°			±2°		±1.5°		±1.5°		±1.5°		±1.5°		±1.3°		
	b	mm 8		9			10		12		12		12		12		12		
	e	mm 38		60			75		80		80		105		105		127		
	f	mm 13.8		27			33		33		33		32		32		46		
Reference height	h	mm 39		50			60		70		70		80		80		100		
	j	mm 42		55			65		72		72		100		100		116		
	l1	mm 19		32			38		44.4		44.4		63.5		63.5		63.5		
	l2	mm 15		24			32		36		36		48		48		54		
Thread / depth	m1	mm M6 / 10		M10 / 16			M12 / 18		M12 / 18		M12 / 18		M16 / 22		M16 / 22		M20 / 26		
Thread / depth	m2	mm M5 / 12		M8 / 14			M10 / 14		M10 / 14		M10 / 14		M12 / 22		M12 / 22		M16 / 24		
	n h8	mm 6.35		7.94			7.94		12.7		12.7		12.7		12.7		12.7		
	o1 H7	mm 7.94		12.68			12.68		19.03		19.03		19.03		19.03		19.03		
	p1	mm -		-			30		50		60		80		80		(*)		
	p2	mm -		35			-		70		80		110		(*)		(*)		
	p3	mm -		65			80		102		102		140		(*)		(*)		
	p4	mm -		-			-		-		135		170		(*)		(*)		
	p5	mm -		-			87		87		-		-		(*)		(*)		
	p7	mm 57.5		-			-		108		108		-		(*)		(*)		
	q1	mm -		-			8		30		30		36		(*)		(*)		
	q2	mm 18		36			45		60		60		80		(*)		(*)		
Thread / depth	r2	mm -		M6 / 12			M6 / 12		M8 / 15		M8 / 15		M10 / 19		(*)		(*)		
Thread / depth	r3	mm M6 / 14		M8 / 17			M8 / 17		M10 / 19		M10 / 19		M12 / 22		(*)		(*)		
	s	mm -		16			16		16		16		20		(*)		(*)		
	t	mm 3.2		4			4		4		4		7		7		7		
	yF	mm 5		5			5		5		5		5		5		6		

⁽¹⁾ Calculated at h distance from the chuck's face (where normally the clamping takes place).

* For chuck \varnothing 135, \varnothing 530-650 please ask for customer drawing.

⁽²⁾ SMW-AUTOBLOK 186: General catalog.

TSF-CP

Compensating
Floating jaws

Compensating pull-down chuck \varnothing 170 - 315 mm

- Active pull-down
- Tongue & groove
- 2 jaws

Application/customer benefits

- Clamping of rectangular or irregular shaped shafts or clamping of shafts or chuck parts where the reference is not the O.D. but a center or a centering diameter
- A center point or a centering insert will center the workpieces and the jaws will clamp compensating and actively pull the workpiece down to the datum

Technical features

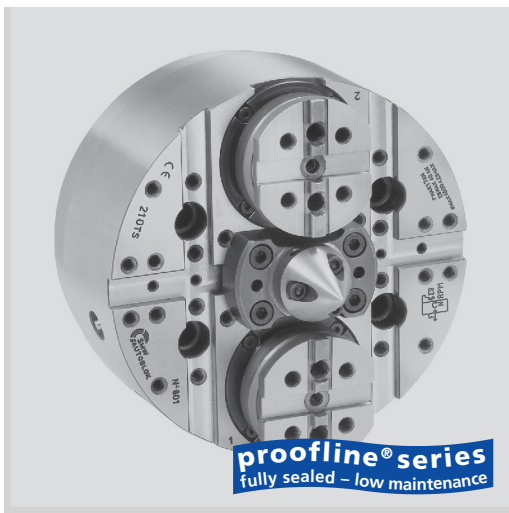
- 2-jaw design
- Active pull-down
- Compensating clamping
- Floating base jaws for 4 point contact
- Centrifugal force compensation
- TONGUE & GROOVE base jaws
- Permanent grease lubrication
- **proofline® chucks** = fully sealed - low maintenance

Standard equipment

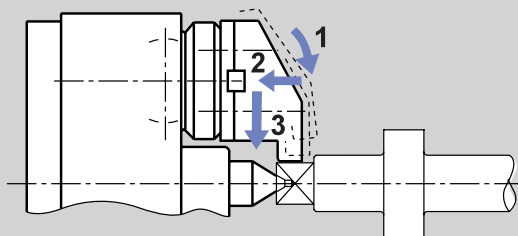
2-jaw chuck
Mounting bolt

Ordering example

2-jaw chuck TSF-CP 210 / A6



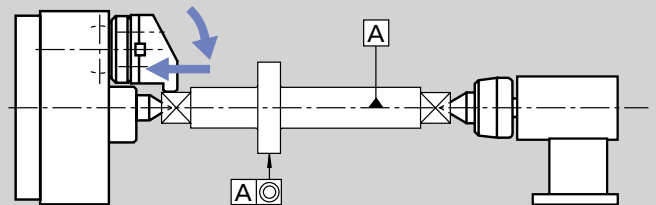
TSF-CP



Principle of function:

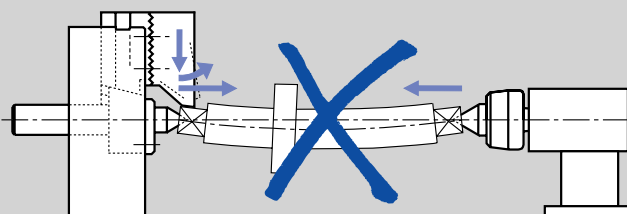
- 1 compensating pre-clamping - 2 active pull-down - 3 clamping

TSF-CP



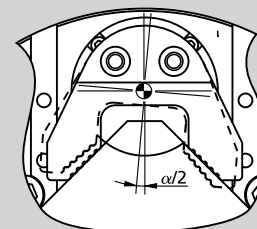
- The workpiece is actively pulled down to the center point. The tailstock just supplies the necessary force to support the workpiece. The result is an exact cylindrical and straight workpiece.

Non active pull down compensating chuck



- The workpiece is lifted by the jaws from the center point. When a higher tailstock force is applied for compensation, the workpiece will be bent.

TSF-CP



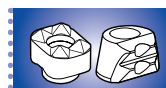
Floating jaws

Technical data

SMW-AUTOBLOK Type		TSF-CP 170	TSF-CP 210	TSF-CP 250	TSF-CP 315
Angular jaw stroke U°	deg.	5.2°	5.2°	4.9°	4.9°
Radial jaw stroke at distance h	mm	5.3	6.3	7	7
Pull down movement (standard)	mm	0.1	0.1	0.1	0.1
Axial piston stroke	mm	21	25	25	25
Compensation (on the dia.) at distance h	mm	± 1.5	± 1.5	± 2.5	± 2.5
Max. draw pull**	kN	12	17	27	27
Max. gripping force at distance h^{**}	kN	30	40	64	64
Max. speed*	r.p.m.	5000	4500	3800	3000
Weight (plain back without top jaws)	kg	15	27	41	66
Moment of inertia	kg·m ²	0.06	0.16	0.34	0.83
Recommended actuating cylinders	Type	SIN-S 70	SIN-S 85	SIN-S 100	SIN-S 100

* The above maximum speed is allowed with standard weight / height top jaws and applying the full draw pull only. For more information please contact SMW-AUTOBLOK.

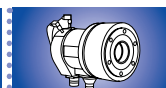
**For internal clamping reduce the draw pull by 30%.



SMW-AUTOBLOK
466



SMW-AUTOBLOK
460



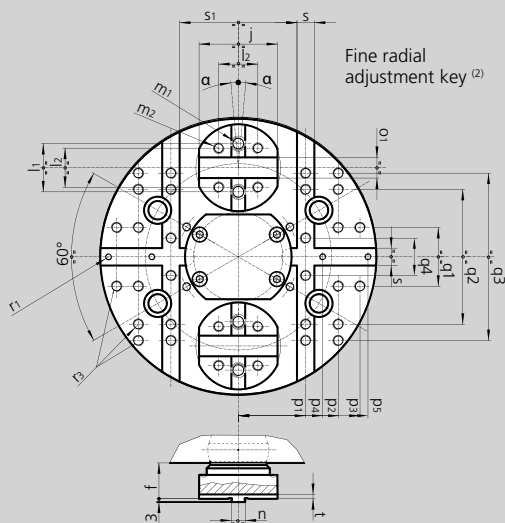
SMW-AUTOBLOK
321

Compensating pull-down chuck Ø 170 - 315 mm

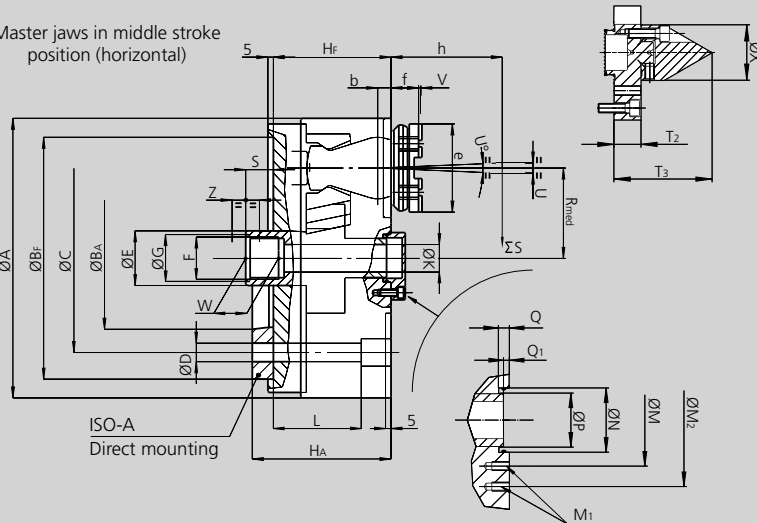
TSF-CP

- Active pull-down
- Tongue & groove
- 2 jaws

Compensating
Floating jaws



Master jaws in middle stroke position (horizontal)



Subject to technical changes.
For more detailed information please ask our customer service.

SMW-AUTOBLOK Type			TSF-CP 170		TSF-CP 210		TSF-CP 250		TSF-CP 315	
Mounting			Z140	A5	Z170	A6	Z220	A8	Z220	A8
	A	mm		173		212		254		315
	BF/BAH6	mm	140	82.563	170	106.375	220	139.719	220	139.719
	C	mm		104.8		133.4		171.4		171.4
	D	mm		11.5		13.5		17		17
	E	mm		36		38		48		48
	F	mm		M28 x 1.5		M32 x 1.5		M38 x 1.5		M38 x 1.5
	G H8	mm		29		33		39		39
	HF/HA	mm	83	98	100	117	107	126	107	126
Through-hole	K	mm		14		18		25		25
	L	mm		56		82		80		80
	M	mm		54		63		82		82
Thread / depth	M1	mm		M8 / 16		M8 / 16		M8 / 16		M8 / 16
	M2	mm		-		90		110		110
	N H5	mm		35		42		70		70
	P	mm		30.2		36.5		56		56
	Q	mm		6		7.5		7.5		7.5
At middle stroke	Q1	mm		3.2		2.5		4.5		4.5
At middle stroke	Rmed	mm		55		64		82		107
At middle stroke	S	mm		18.2		20.5		25.5		25.5
	T2	mm		17		21		22		22
	T3	mm		62		67		68		68
Radial stroke	U°	deg.		5.2°		5.2°		4.9°		4.9°
Radial stroke ⁽¹⁾ @ h	U	mm		5.3		6.3		7		7
Pull-down s/d (option)	V	mm		0.1		0.1		0.1		0.1
	W	mm		25		25		30		30
	X	mm		35		42		60		60
Axial piston stroke	Z	mm		21		25		25		25
	α	deg.		±2°		±2°		±1.5°		±1.5°
	b	mm		9		10		12		12
	e	mm		60		75		80		80
	f	mm		27		33		33		33
Reference height	h	mm		50		60		70		70
	j	mm		55		65		72		72
	l1	mm		32		38		44.4		44.4
	l2	mm		24		32		36		36
Thread / depth	m1	mm		M10 / 16		M12 / 18		M12 / 18		M12 / 18
Thread / depth	m2	mm		M8 / 14		M10 / 14		M10 / 14		M10 / 14
	n h8	mm		7.94		7.94		12.7		12.7
	o1 H7	mm		12.68		12.68		19.03		19.03
	p1	mm		50		55		62		62
	p2	mm		66		80		92		92
	p3	mm		78		95		112		122
	p4	mm		60		55		62		62
	p5	mm		80		80		92		92
	q1	mm		30		30		54		54
	q2	mm		84		110		128		128
	q3	mm		-		-		-		202
	q4	mm		20		30		54		54
Thread / depth	r1	mm		M6 / 14		M6 / 14		M6 / 14		M6 / 14
Thread / depth	r3	mm		M8 / 16		M8 / 17		M10 / 18		M10 / 18
	s H6	mm		16		16		16		16
	s1 k5	mm		84		94		108		108
	t	mm		4		4		4		4

(1) Calculated at h distance from the chuck's face (where normally the clamping takes place).

(2) SMW-AUTOBLOK 186: General catalog.

TSBF-C

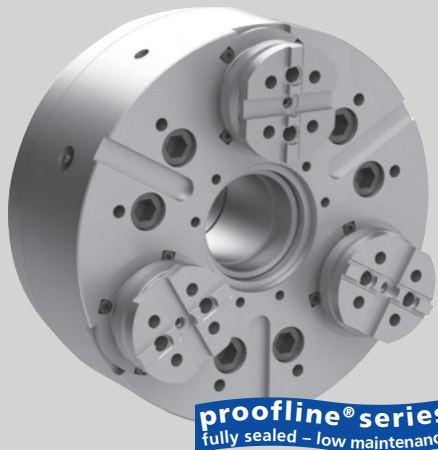
Self centering
Floating jaws

TSBR-C

Self centering
Rigid jaws

High precision pull-down chuck \varnothing 220 - 330 mm

- Active pull-down
- Tongue & groove
- Large through-hole
- 3 jaws



Application/customer benefits

- Clamping of workpieces with highest demand for **parallelism**
- **Highest productivity** with long maintenance intervals
- Constant gripping force and long lifetime ensure **constant quality of workpieces**
- Through-hole to insert long workpieces or for special clamping applications

TSBF-C: Floating base jaws to clamp raw and easy deformed workpieces (6-point-contact)

TSBR-C: Rigid base jaws for precise clamping on pre machined diameters

Technical features

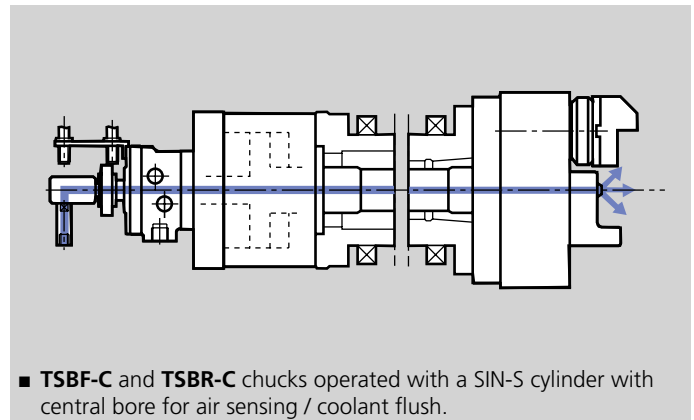
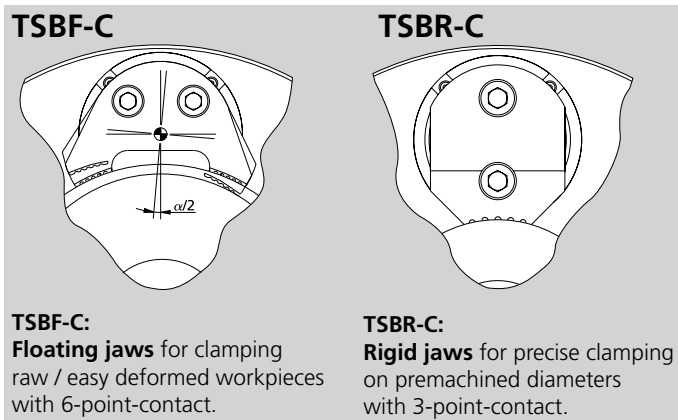
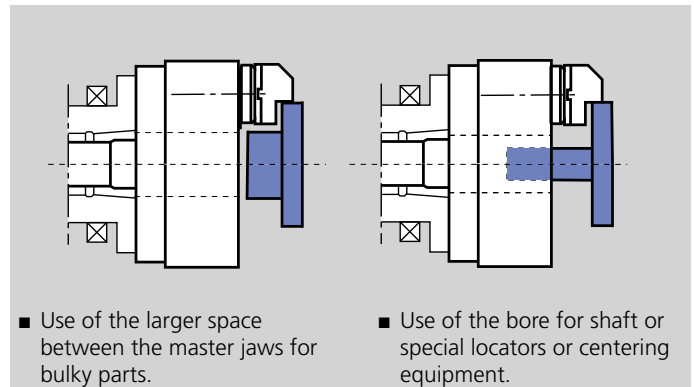
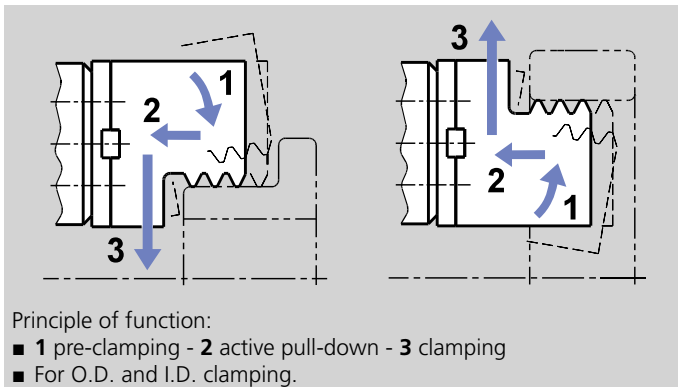
- Active pull-down
- Centrifugal force compensation
- TONGUE & GROOVE base jaws
- **proofline® chucks** = fully sealed - low maintenance
- Permanent grease lubrication
- Large through-hole

Standard equipment

3-jaw chuck
Mounting bolts

Ordering example

3-jaw chuck TSBF-C 220 / A6
or 3-jaw chuck TSBR-C 330 / Z300



Technical data

SMW-AUTOBLOK Type		TSBF-C 220 TSBR-C 220	TSBF-C 260 TSBR-C 260	TSBF-C 330 TSBR-C 330
Angular jaw stroke U°	deg.	5.2°	5.2°	5°
Radial jaw stroke at distance h	mm	5.3	6.3	7
Pull down movement (standard)	mm	0.1	0.1	0.1
Axial piston stroke	mm	21	25	25
Max. draw pull**	kN	18	25	40
Max. gripping force at distance h^{**}	kN	44	60	96
Max. speed*	r.p.m.	4250	3750	3000
Weight (without top jaws)	kg	25	40	67
Moment of inertia	kg·m ²	0.165	0.34	0.97
Recommended actuating cylinders	Type	SIN-S 85	SIN-S 100	SIN-S 125

* The above maximum speed is allowed with standard weight / height top jaws and applying the full draw pull only. For more information please contact SMW-AUTOBLOK.

**For internal clamping reduce the draw pull by 30%.



High precision pull-down chuck \varnothing 220 - 330 mm

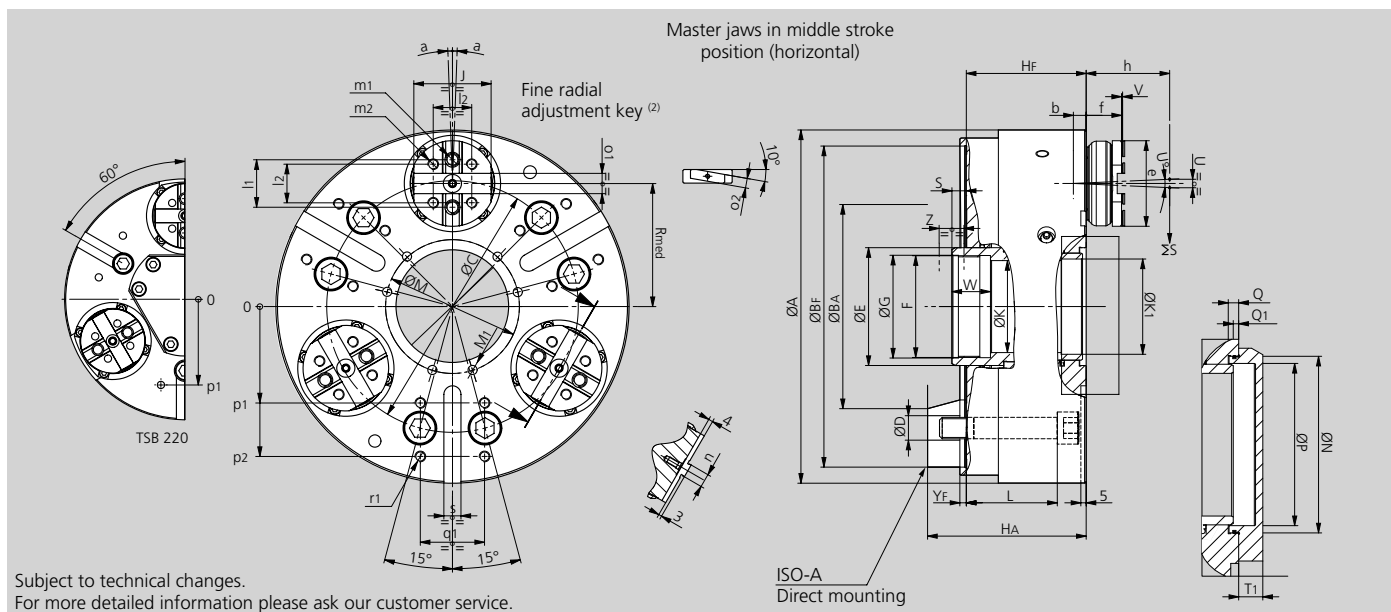
- Active pull-down
- Tongue & groove
- Large through-hole
- 3 jaws

TSBF-C

Self centering
Floating jaws

TSBR-C

Self centering
Rigid jaws



SMW-AUTOBLOK Type			TSBF-C 220 TSBR-C 220		TSBF-C 260 TSBR-C 260		TSBF-C 330 TSBR-C 330	
Mounting			Z170	A6	Z220	A8	Z300	A11
	A	mm	225		265		330	
	BF/BA H6	mm	170	106.375	220	139.719	300	196.869
	C	mm	133.4		171.4		235	
	D	mm	13.5		17		21	
	E	mm	75		85		110	
	F	mm	M65 x 2		M75 x 2		M95 x 2	
	G H8	mm	66		76		96	
	Hf/HA	mm	86	103	100	119	112	133
Through-hole	K	mm	55		62		86	
	K1	mm	-		65		89	
	L	mm	66		80		85	
	M	mm	88		100		125	
Thread / depth	M1	mm	M8 / 20		M8 / 20		M10 / 20	
	N H8	mm	74		85		110	
	P	mm	65		75		100	
	Q	mm	6.5		6.5		6.5	
At middle stroke	Q1	mm	2		1		3	
At middle stroke	Rmed	mm	78		90		115	
At middle stroke	S	mm	15		13		14	
	T1	mm	13		16		15	
Radial stroke	U°	deg.	5.2°		5.2°		5°	
Radial stroke ⁽¹⁾	U	mm	5.3		6.3		7	
Pull-down s/d (option)	V	mm	0.1 (0.6)		0.1 (0.6)		0.1 (0.6)	
	W	mm	30		34		36	
Axial wedge stroke	Z	mm	21		25		25	
Only TSBF-C max.	α	deg.	±2°		±2°		±1.5°	
	b	mm	9		10		12	
	e	mm	60		75		80	
	f	mm	27		33		33	
Reference height	h	mm	50		60		70	
	j	mm	55		65		72	
	l1	mm	32		38		44.4	
	l2	mm	24		32		36	
Thread / depth	m1	mm	M10 / 16		M12 / 18		M12 / 18	
Thread / depth	m2	mm	M8 / 14		M10 / 14		M10 / 14	
	n h8	mm	7.94		7.94		12.7	
	o1 H7	mm	12.68		12.68		19.03	
	o2 h7	mm	9		9		12	
	p1	mm	80		102		90	
	p2	mm	-		-		140	
	q1	mm	45		60		60	
Thread / depth	r1	mm	M8 / 15		M10 / 20		M10 / 20	
	s	mm	16		16		16	
	yF	mm	5		5		5	

⁽¹⁾ Calculated at **h** distance from the chuck's face (where normally the clamping takes place).

⁽²⁾ SMW-AUTOBLOK 186: General catalog.

TSBF-CP

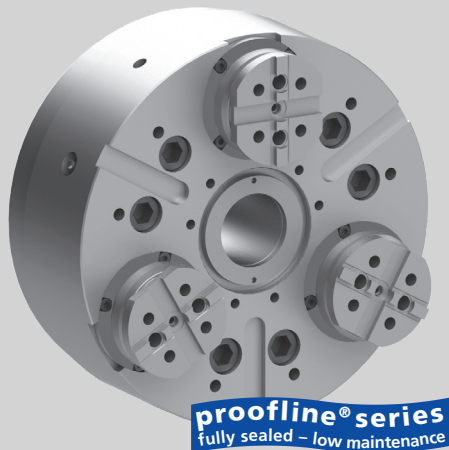
TSBR-CP

Compensating pull-down chuck \varnothing 220 - 330 mm

Compensating
Floating jaws

Compensating
Rigid jaws

- Active pull-down
- Tongue & groove
- Large through-hole
- 3 jaws



Application/customer benefits

- Clamping of shafts or chuck parts where the reference is not the O.D. but a center or a centering diameter
- A center point or a centering insert will center the workpieces and the jaws will clamp compensating and actively pull the workpiece down to the datum
- Through-hole to insert long workpieces or for special clamping applications

TSBF-CP: Compensating clamping with active pull down and floating base jaws

TSBR-CP: Compensating clamping with active pull down and rigid base jaws

Technical features

- Active pull-down
- Compensating clamping
- Centrifugal force compensation
- Large through-hole
- TONGUE & GROOVE base jaws
- Permanent grease lubrication
- **proofline® chucks** = fully sealed - low maintenance

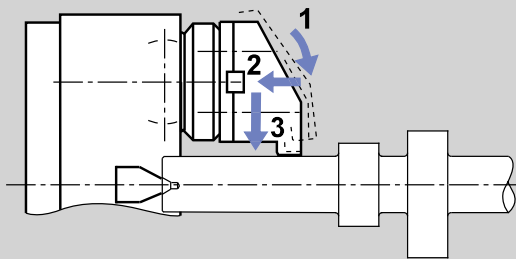
Standard equipment

3-jaw chuck
Mounting bolts

Ordering example

3-jaw chuck TSBF-CP 220 / A6
or 3-jaw chuck TSBR-CP 330 / Z300

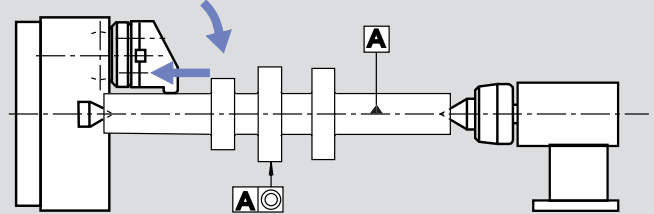
TSBF-CP/TSBR-CP



Principle of function:

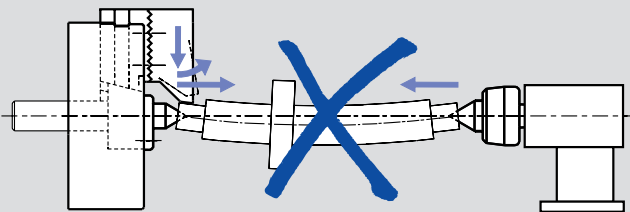
- 1 compensating pre-clamping - 2 active pull-down - 3 clamping

TSBF-CP/TSBR-CP



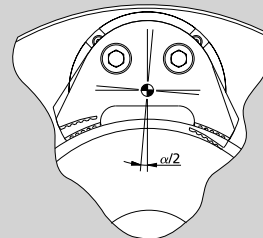
- The workpiece is actively pulled down to the center point. The tailstock just supplies the necessary force to support the workpiece. The result is an exact cylindrical and straight workpiece.

Non active pull down compensating chuck



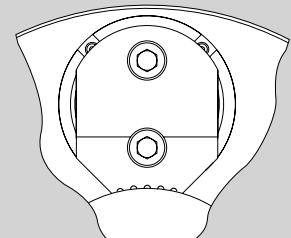
- The workpiece is lifted by the jaws from the center point. When a higher tailstock force is applied for compensation, the workpiece will be bent.

TSBF-CP



Floating jaws

TSBR-CP



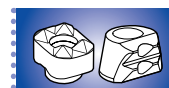
Rigid jaws

Technical data

SMW-AUTOBLOK Type		TSBF-CP 220 TSBR-CP 220	TSBF-CP 260 TSBR-CP 260	TSBF-CP 330 TSBR-CP 330
Angular jaw stroke U°	deg.	5.2°	5.2°	5°
Radial jaw stroke at distance h	mm	5.3	6.3	7
Pull down movement (standard)	mm	0.1	0.1	0.1
Axial piston stroke	mm	21	25	25
Compensation (on the dia.) at distance h	mm	±1.5	±1.5	±2.5
Max. draw pull**	kN	18	25	40
Max. gripping force at distance h**	kN	44	60	96
Max. speed*	r.p.m.	4250	3750	3000
Weight (plain back without top jaws)	kg	25	40	67
Moment of inertia	kg·m ²	0.165	0.34	0.97
Recommended actuating cylinders	Type	SIN-S 85	SIN-S 100	SIN-S 125

* The above maximum speed is allowed with standard weight / height top jaws and applying the full draw pull only. For more information please contact SMW-AUTOBLOK.

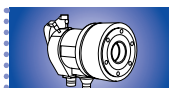
**For internal clamping reduce the draw pull by 30%.



SMW-AUTOBLOK
466



SMW-AUTOBLOK
460



SMW-AUTOBLOK
321

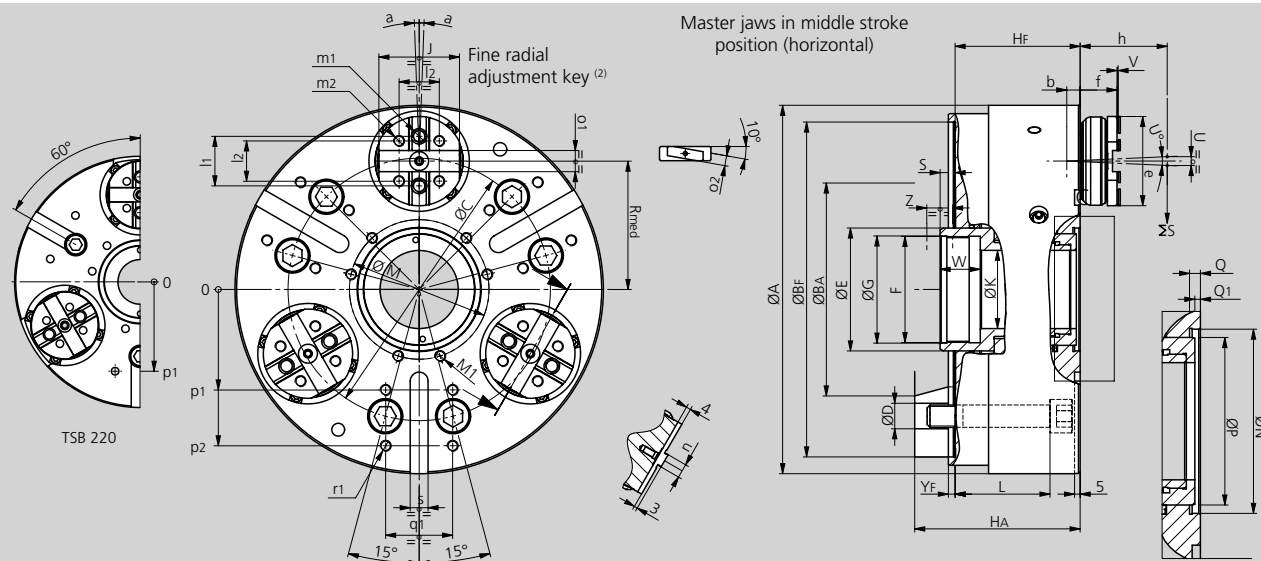
Compensating pull-down chuck \varnothing 220 - 330 mm

- Active pull-down
- Tongue & groove
- Large through-hole
- 3 jaws

TSBF-CP TSBR-CP

Compensating
Floating jaws

Compensating
Rigid jaws



Subject to technical changes.
For more detailed information please ask our customer service.

SMW-AUTOBLOK Type			TSBF-CP 220 TSBR-CP 220		TSBF-CP 260 TSBR-CP 260		TSBF-CP 330 TSBR-CP 330	
Mounting			Z170	A6	Z220	A8	Z300	A11
	A	mm	225		265		330	
	BF/BA H6	mm	170	106.375	220	139.719	300	196.869
	C	mm	133.4		171.4		235	
	D	mm	13.5		17		21	
	E	mm	75		85		110	
	F	mm	M65 x 2		M75 x 2		M95 x 2	
	G H8	mm	66		76		96	
	HF/HA	mm	86	103	100	119	112	133
Through-hole	K	mm	40		50		70	
	L	mm	66		80		85	
	M	mm	88		100		125	
Thread / depth	M1	mm	M8 / 20		M8 / 20		M10 / 20	
	N H8	mm	74		85		110	
	P	mm	65		75		100	
	Q	mm	6.5		6.5		6.5	
At middle stroke	Q1	mm	2		1		3	
At middle stroke	Rmed	mm	78		90		115	
At middle stroke	S	mm	15		13		14	
Radial stroke	U°	deg.	5.2°		5.2°		5°	
Radial stroke ⁽¹⁾	U	mm	5.3		6.3		7	
Pull-down s/d (opt.)	V	mm	0.1 (0.6)		0.1 (0.6)		0.1 (0.6)	
	W	mm	30		34		36	
Axial piston stroke	Z	mm	21		25		25	
Only TSBF-CP max.	α	deg.	±2°		±2°		±1.5°	
	b	mm	9		10		12	
	e	mm	60		75		80	
	f	mm	27		33		33	
Reference height	h	mm	50		60		70	
	j	mm	55		65		72	
	l1	mm	32		38		44.4	
	l2	mm	24		32		36	
Thread / depth	m1	mm	M10 / 16		M12 / 18		M12 / 18	
Thread / depth	m2	mm	M8 / 14		M10 / 14		M10 / 14	
	n h8	mm	7.94		7.94		12.7	
	o1 H7	mm	12.68		12.68		19.03	
	o2 h7	mm	9		9		12	
	p1	mm	80		102		90	
	p2	mm	-		-		140	
	q1	mm	45		60		60	
Thread / depth	r1	mm	M8 / 15		M10 / 20		M10 / 20	
	s	mm	16		16		16	
	YF	mm	5		5		5	

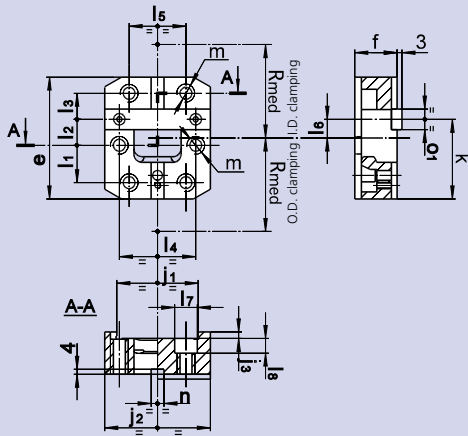
⁽¹⁾ Calculated at **h** distance from the chuck's face (where normally the clamping takes place).

⁽²⁾ SMW-AUTOBLOK 186: General catalog.

Accessories for TS chucks

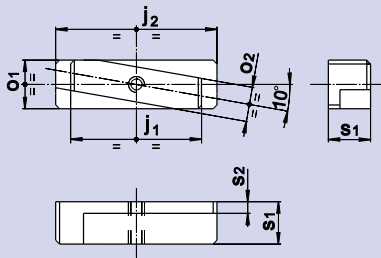
- Quick jaw change pallets
- Cross keys for top jaws fine adjustment

Quick change pallets for TSF-RM and TSR-RM chucks



Chuck type		TSF-RM 170 TSR-RM 170	TSF-RM 210 TSR-RM 210	TSF-RM 250 TSR-RM 250	TSF-RM 315 TSR-RM 315	TSF-RM 400 / 530 TSR-RM 400 / 530
Id. No.		19701716	19702116	19702516	19702516	19704016
e	mm	60	75	80	80	105
f	mm	21.5	26	28	28	34
j1	mm	44	50	55	55	80
j2	mm	55	65	72	72	100
j3	mm	3.5	4	4	4	4
k	mm	39.5	49	51	51	66.5
l1	mm	19	23	22	22	28
l2	mm	12.5	16	19	19	25
l3	mm	12.5	16	19	19	25
l4	mm	42	47	52	52	74
l5	mm	32	35	40	40	62
l6	mm	9.5	11.5	11	11	14
l7	mm	11	14	14	14	17
l8	mm	7	9	9	9	11
m	mm	M8	M10	M10	M10	M12
n (H7)	mm	7.94	7.94	12.7	12.7	12.7
o1 (h7)	mm	12.68	12.68	19.03	19.03	19.03
Rmed	mm	55	64	82	107	130

Cross keys for jaw radial fine adjustment

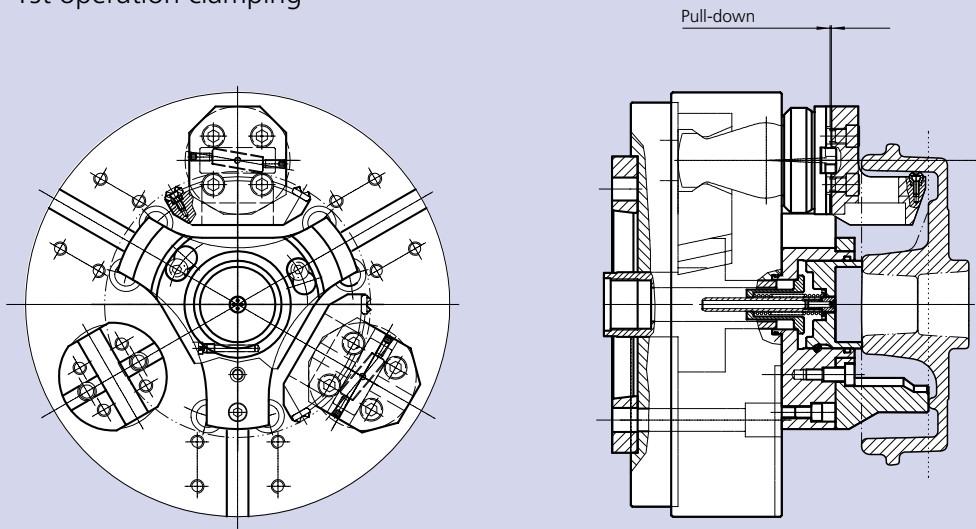


- Inclined key for radial fine adjustment of the top jaws, used when high concentricity for second operations is required.
- Used in second operation and sometimes in first or unique operations.

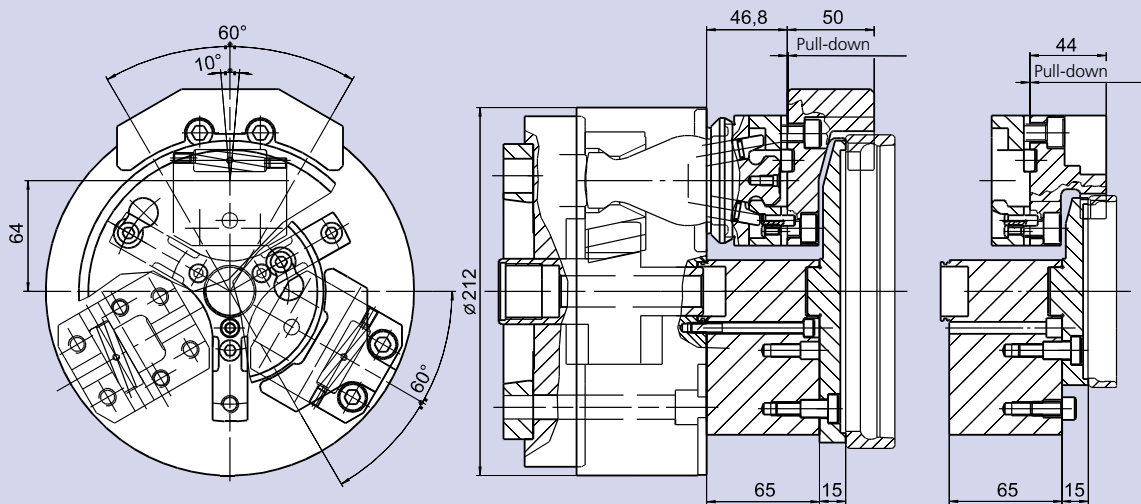
Chuck Ø		170	210	250	315	400 / 530 / 650
Id. No.		15711633	15712133	15712533	15712533	15714033
j1	mm	24	32	38	38	46
j2	mm	38	46	56	56	70
o1 (h7)	mm	12.68	12.68	19.03	19.03	19.03
o2 (h7)	mm	9	9	12	12	12
s1	mm	11	11	11	11	14.5
s2	mm	3	3	3	3	4.5

Application examples

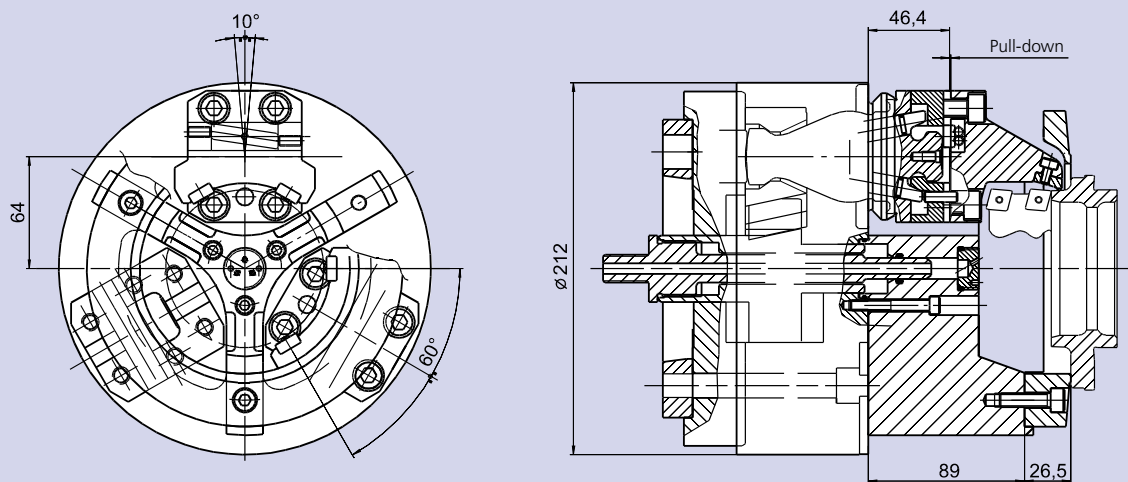
Brake drum – 1st operation clamping



Bearing ring – 2nd operation clamping



Bearing flange – Complete machining in one set-up



FRC-N

Compensating clamping
TONGUE & GROOVE

Lever chuck Ø 215 - 365 mm

- Pull-down to axial datum
- Spring loaded or fixed center
- proofline® chucks = fully sealed - low maintenance



Application/customer benefits

- Compensating clamping of shafts between centers, where the clamping diameter is not concentric to the workpiece axis
- The grip force of the chuck supplies the torque necessary to machine the workpiece and pulls it down to the axial datum (center point / axial stop)
- Due to its high rigidity against torsion the chuck is ideal for turning as well as for milling operations

Technical features

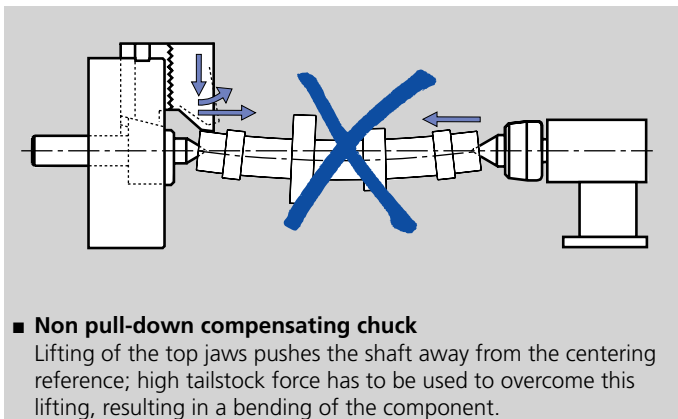
- For O.D. clamping only
- Compensating clamping with large compensating stroke
- TONGUE & GROOVE base jaws
- Pull down to axial datum
- Centrifugal force compensation
- Permanent grease lubrication
- High rigidity against torsion
- Center point adjustable
- **proofline® chucks** = fully sealed - low maintenance

Standard equipment

3-jaw chuck without centering insert
Mounting bolts

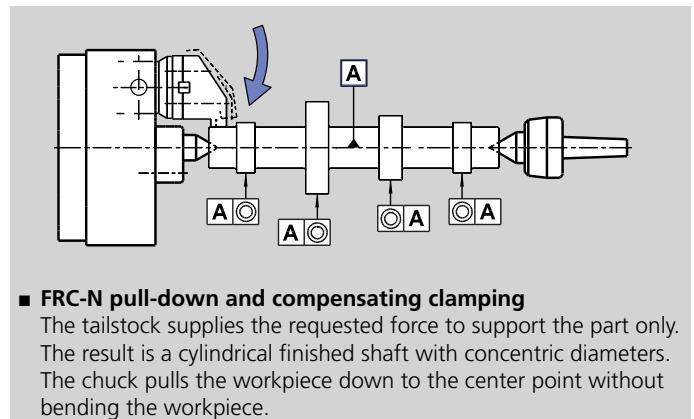
Ordering example

Lever chuck FRC-N 215 A6



■ Non pull-down compensating chuck

Lifting of the top jaws pushes the shaft away from the centering reference; high tailstock force has to be used to overcome this lifting, resulting in a bending of the component.



■ FRC-N pull-down and compensating clamping

The tailstock supplies the requested force to support the part only. The result is a cylindrical finished shaft with concentric diameters. The chuck pulls the workpiece down to the center point without bending the workpiece.

Technical data

SMW-AUTOBLOK Type		FRC-N 215	FRC-N 285	FRC-N 365
Angular jaw stroke U°	deg.	6°	6°	6°
Radial jaw stroke at distance h	mm	6.3	7.3	8.4
Wedge stroke	mm	22	26	31
Compensation (on the dia.) at distance h	mm	±1.5	±2	±2.5
Max. draw pull	kN	45	70	110
Max. gripping force at distance h	kN	100	150	240
Max. speed	r.p.m.	4500	3500	2500
Weight (plain back without top jaws)	kg	30	62	120
Moment of inertia*	kg·m ²	0.17	0.65	2
Standard fixed center	Id. No.	81732141	81732841	81733641
Standard spring loaded center	Id. No.	81722141	81722841	81723641
Recommended actuating cylinders	Type	SIN-S 100 - 125	125 SIN-S 125 -150	SIN-S 150 - 200

* The above maximum speed is allowed with standard weight / height top jaws and applying the full draw pull only. For more information please contact SMW-AUTOBLOK.



SMW-AUTOBLOK
466

SMW-AUTOBLOK
460

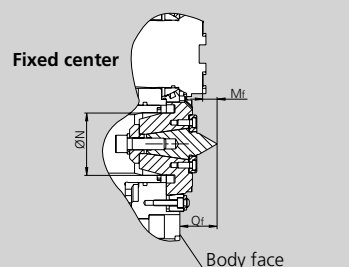
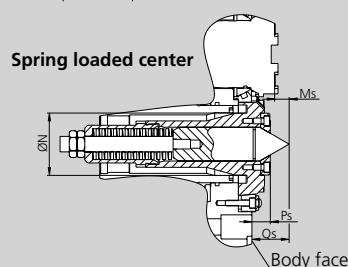
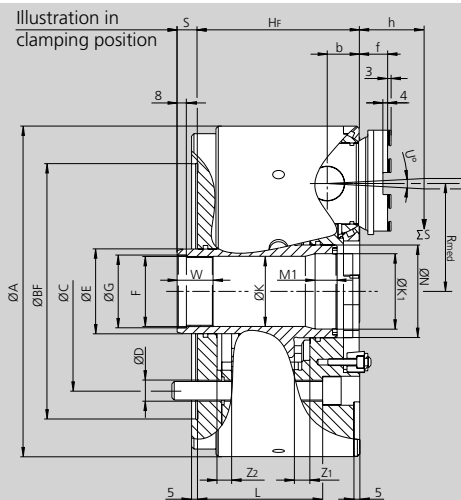
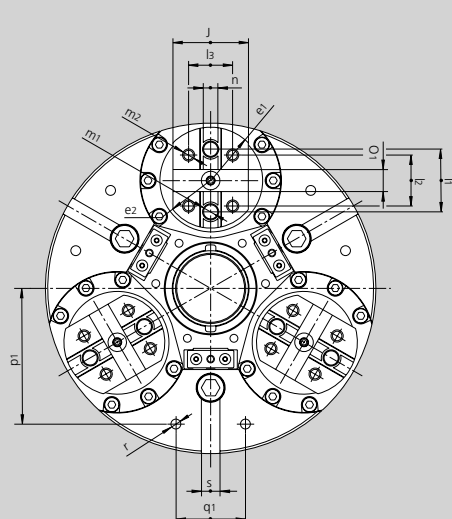
SMW-AUTOBLOK
321

Lever chuck Ø 215 - 365 mm

FRC-N

- Pull-down to axial datum
- Spring loaded or fixed center
- proofline® chucks = fully sealed - low maintenance

Compensating clamping
TONGUE & GROOVE



Subject to technical changes.
For more detailed information please ask our customer service.

SMW-AUTOBLOK Type			FRC-N 215	FRC-N 285	FRC-N 365
	A	mm	215	285	365
	BF H6	mm	170	220	300
	C	mm	133.4	171.4	235
	D	mm	13.5	17	21
	E	mm	50	73	79
	F	mm	M42 x 1.5	M60 x 1.5	M68 x 2
	G H8	mm	43	61	69
	Hf	mm	120	140	168
Through-hole	K	mm	40	57	60.5
	Ø K1/ depth M1	mm	40	62 / 45	75 / 23.8
	L	mm	95	108	123
	N H8	mm	52	80	90
	Mf	mm	14.5	14.6	21.7
	Qf	mm	32.5	38.6	42.7
	Ms	mm	13.8	14.4	19.9
	Ps	mm	21	19	21.5
	Qs	mm	31.8	38.4	40.9
	Rmed	mm	67	93	120
Middle stroke = Clamping position	S	mm	15.4	17.5	24.8
Min. / max.	S	mm	4 / 26	4 / 30	9 / 40
Angular jaw movement	U°	deg.	6°	6°	6°
Radial stroke at distance h ⁽¹⁾	U	mm	6.3	7.3	8.4
	W	mm	30	31	30
	Z1	mm	11.4	13.5	15.8
	Z2	mm	10.6	12.5	15.2
	b	mm	22	28	34
	e1	mm	37.5	46	50
	e2	mm	33	41	50
	f	mm	18	24	21
Reference height	h	mm	38	42	46
	j	mm	55	65	70
	l1	mm	38	54	63.5
	l2	mm	32	44	48
	l3	mm	32	38	48
Thread / depth	m1	mm	M12 / 16	M16 / 20	M16 / 20
Thread / depth	m2	mm	M10 / 14	M12 / 19	M12 / 19
	n h8	mm	7.94	12.7	12.7
	o1 H7	mm	12.68	19.03	19.03
	p1	mm	80	117	150
	q1	mm	45	60	80
Thread / depth	r	mm	M8 / 17	M10 / 19	M12 / 22
	s H8	mm	16	16	20

⁽¹⁾ Calculated at **h** distance from the chuck's face (where normally the clamping takes place).

FRS

Self centering clamping
TONGUE & GROOVE

Lever chuck Ø 215 - 365 mm

- Self centering clamping
- Large through-hole
- proofline® chucks = fully sealed - low maintenance



Application/customer benefits

- Self centering clamping of flange or shaft type workpieces where the reference is not a center but the O.D. of the workpiece
- The through-hole of the chuck allows to swallow the workpiece if needed
- Due to its high rigidity against torsion the chuck can be used for turning as well as for milling

Technical features

- For O.D. clamping only
- Large through-hole
- Tongue & groove base jaws
- Pull-down to axial datum

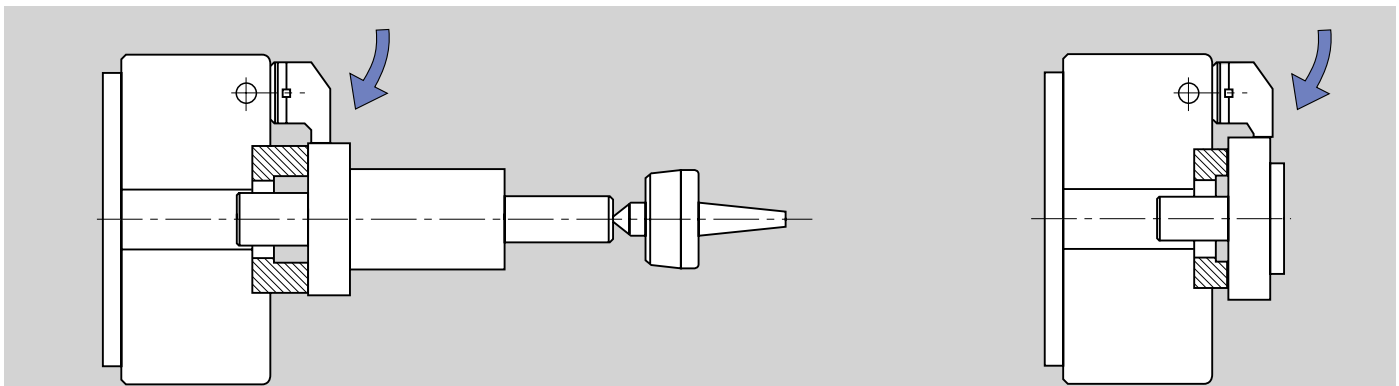
- Permanent grease lubrication
- Rigid design against torsion
- **proofline® chucks** = fully sealed - low maintenance

Standard equipment

3-jaw chuck
Mounting bolts

Ordering example

3-jaw chuck FRS 285 Z 220



■ FRS self centering chuck with pull-down

The pull-down of the chuck pulls the workpiece against the workstop.
The large bore allows the workpiece to be swallowed.

Technical data

SMW-AUTOBLOK Type		FRS 215	FRS 285	FRS 365
Angular jaw stroke	deg.	6°	6°	6°
Radial jaw stroke at distance h	mm	6.3	7.3	8.4
Wedge stroke	mm	22	26	31
Max. draw pull	kN	45	70	110
Max. gripping force at distance h	kN	100	150	240
Max. speed*	r.p.m.	4500	3500	2500
Weight (plain back without top jaws)	kg	30	62	120
Moment of inertia	kg·m ²	0.17	0.65	2
Recommended actuating cylinders	Type	SIN-S 100 - 125	SIN-S 125 - 150	SIN-S 150 - 200

* The above maximum speed is allowed with standard weight / height top jaws and applying the full draw pull only. For more information please contact SMW-AUTOBLOK.



SMW-AUTOBLOK
466

SMW-AUTOBLOK
460

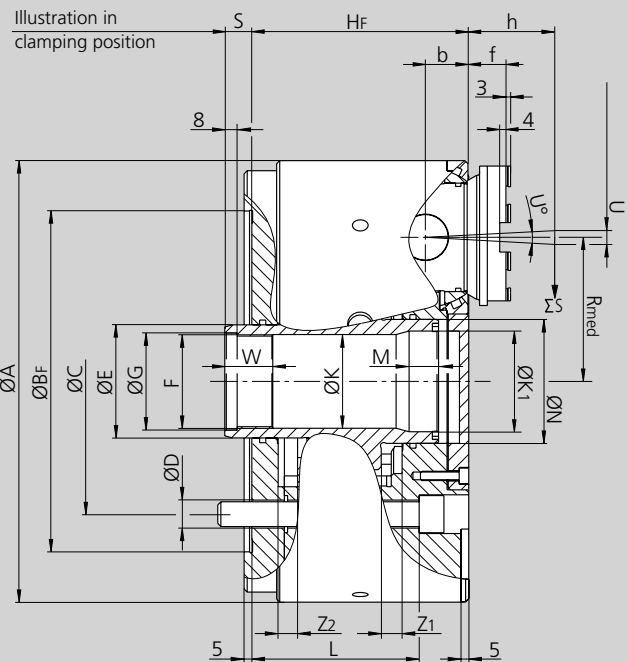
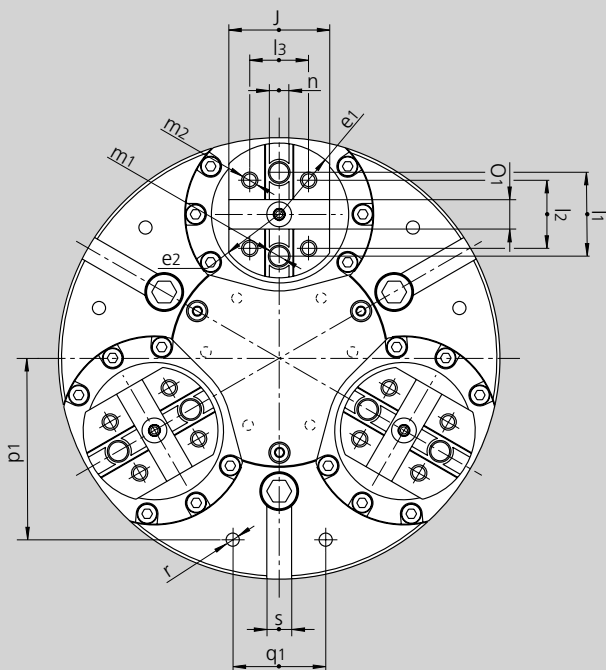
SMW-AUTOBLOK
321

Lever chuck Ø 215 - 365 mm

FRS

- Self centering clamping
- Large through-hole
- proofline® chucks = fully sealed - low maintenance

Self centering clamping
TONGUE & GROOVE



Subject to technical changes.
For more detailed information please ask our customer service.

SMW-AUTOBLOK Type		FRS 215	FRS 285	FRS 365	
	A	mm	215	285	365
	Bf H6	mm	170	220	300
	C	mm	133.4	171.4	235
	D	mm	M12	M16	M20
	E	mm	50	73	79
	F	mm	M42 x 1.5	M60 x 1.5	M68 x 2
	G H8	mm	43	61	69
Through-hole	HF	mm	120	140	168
	K	mm	40	60.5	60.5
	K1	mm	-	65	75
	L	mm	95	108	123
	M	mm	-	19	23.8
	N	mm	52	80	90
	Rmed	mm	67	93	120
Middle stroke = clamping position	S	mm	15.4	17.5	24.8
Min. / max.	S	mm	4 / 26	4 / 30	9 / 40
Angular jaw movement	U °	deg.	6°	6°	6°
Radial stroke at distance h ⁽¹⁾	U	mm	6.3	7.3	8.4
	W	mm	30	31	30
	Z1	mm	11.4	13.5	15.8
	Z2	mm	10.6	12.5	15.2
	b	mm	22	28	34
	e1	mm	37.5	46	50
	e2	mm	33	41	50
Reference height	f	mm	18	24	21
	h	mm	38	42	46
	j	mm	55	65	70
	l1	mm	38	54	63.5
	l2	mm	32	44	48
	l3	mm	32	38	48
Thread / depth	m1	mm	M12 / 16	M16 / 20	M16 / 20
Thread / depth	m2	mm	M10 / 14	M12 / 19	M12 / 19
	n h8	mm	7.94	12.7	12.7
	o1 H7	mm	12.68	19.03	19.03
	p1	mm	80	117	150
	q1	mm	45	60	80
Thread / depth	r	mm	M8 / 17	M10 / 19	M12 / 22
	s H8	mm	16	16	20

⁽¹⁾ Calculated at **h** distance from the chuck's face (where normally the clamping takes place).

TPT-C

2+2 independent jaw movement
TONGUE & GROOVE

High precision 2+2 jaw power chuck with self-centering independent jaw movement Ø 210 - 400 mm

- Closed center
- Tongue & groove



Application/customer benefits

- Clamping of rectangular and square workpieces, self-centering in two axes

Technical features

- 2+2 jaw chuck with 2 independent self-centering jaw drives (two wedge drives)
- Jaw No. 1 + 3 (clamping jaws): power operated
- Jaw No. 2 + 4 (centering jaws): spring operated or optionally power operated*
- Chuck body and internal parts are case hardened for high precision and long life

Standard equipment*

2+2 jaw chuck
Mounting bolts

Ordering example

Power chuck TPT-C 250 A8
or
Power chuck TPT-C 400-Z

A One wedge drive

- Operated by standard closed center cylinders.
- Jaws 2 and 4 are spring operated to center the component in one axis.
- Jaws 1 and 3 are power operated by the cylinder to center the component on the second axis and to apply the gripping force to drive the component.
- Only for external clamping (on request internal clamping).
- See specific draw pull, gripping force and maximum speed in the technical data table below.

***Note:** The chucks are always delivered as „one wedge drive“ version: To use them as „two independent wedge drives“ version, just remove the internal spring assembly according to instruction manual

B Two independent wedge drives*

- Operated by independent double piston cylinders.
- Jaws 2 and 4 are power operated (using the small cylinder) to center the component in one axis.
- Jaws 1 and 3 are also power operated (using the large cylinder) to center the component on the second axis and to apply the gripping force to drive the component.
- Since both pair of jaws are power operated the chuck can reach higher speeds.
- See specific draw pull, gripping force and maximum speed in the technical data table below.

Technical data

SMW-AUTOBLOK Type		TPT-C 210	TPT-C 250	TPT-C 315	TPT-C 400
Number of jaws		2+2	2+2	2+2	2+2
Radial jaw stroke	mm	4	5	5	7
Wedge stroke	mm	19	24	24	33
Weight (plain back without top jaws)	kg	21	32	48	102
Moment of inertia	kg·m ²	0.12	0.27	0.64	1.95

A ONE wedge drive

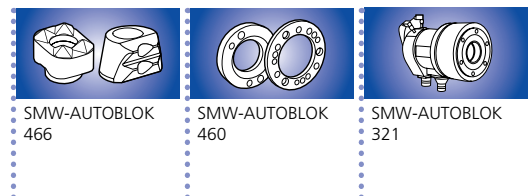
SMW-AUTOBLOK Type		TPT-C 210	TPT-C 250	TPT-C 315	TPT-C 400
Number of jaws		2+2	2+2	2+2	2+2
Max. draw pull (clamping wedge, jaw 1 + 3)	kN	29	39	45	60
Max. gripping force jaw 1 + 3** (power operated)	kN	72	98	115	150
Max. centering force jaw 2 + 4 (spring operated)	kN	11	15	15	24
Max. speed	r.p.m.	2500	2400	2000	1500
Recommended actuating cylinders	Type	SIN-S 125	SIN-S 125	SIN-S 150	SIN-S 150

B TWO independent wedge drives

SMW-AUTOBLOK Type		TPT-C 210	TPT-C 250	TPT-C 315	TPT-C 400
Number of jaws		2+2	2+2	2+2	2+2
Max. draw pull (clamping wedge, jaw 1 + 3)	kN	25	34	40	50
Max. draw pull (centering wedge, jaw 2 + 4)	kN	19	25	30	35
Max. gripping force jaw 1 + 3** (power operated)	kN	72	98	115	150
Max. centering force jaw 2 + 4 (power operated)	kN	55	72	85	100
Max. speed	r.p.m.	4300	3400	2700	2000
Recommended actuating cylinders***	Type	DCE 64 / 64	DCE 64 / 64	DCE 64 / 64	DCE 64 / 64

** For internal clamping reduce the draw pull by 30%.

*** SMW-AUTOBLOK 326: Technical details of DCE cylinders see general catalog.

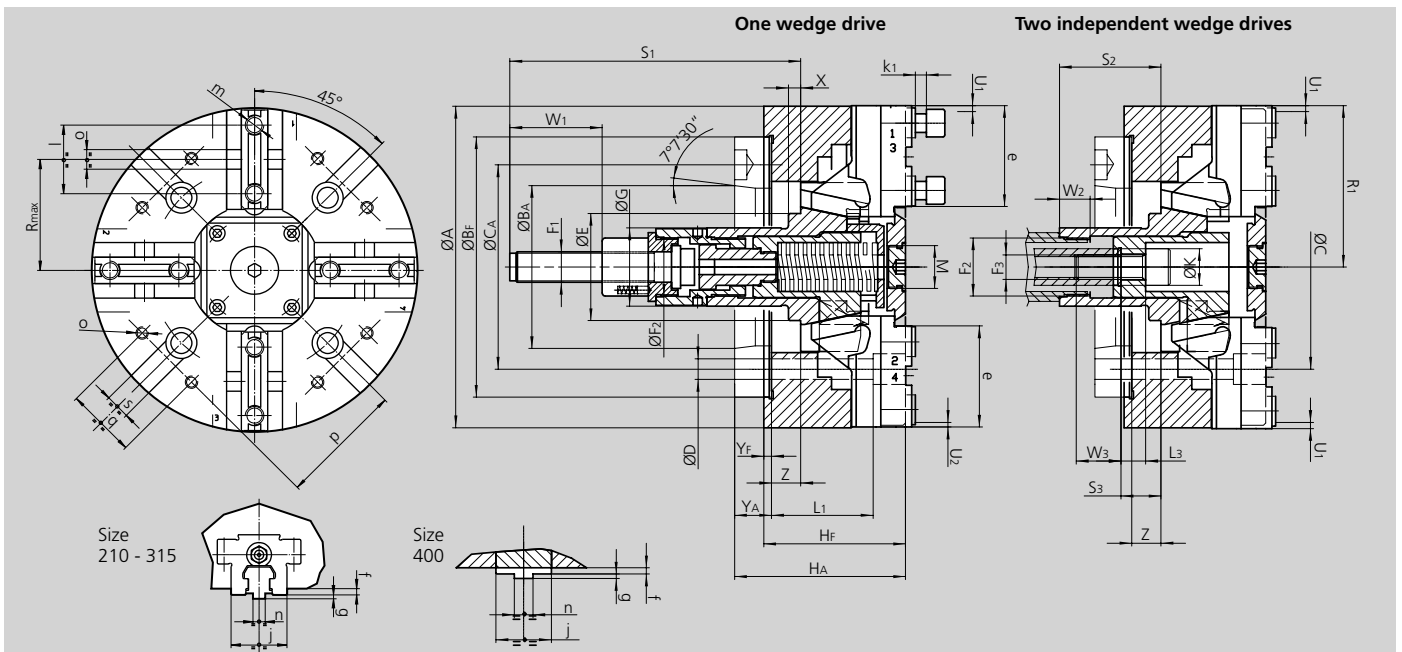


High precision 2+2 jaw power chuck with self-centering independent jaw movement \varnothing 210 - 400 mm

TPT-C

- Closed center
- Tongue & groove

2+2 independent jaw movement
TONGUE & GROOVE



Subject to technical changes.
For more detailed information please ask our customer service.

SMW-AUTOBLOK Type	TPT-C 210		TPT-C 250			TPT-C 315			TPT-C 400		
	Z170	A6	Z220	A6*	A8	Z300	A8*	A11	Z300	A11	
Mounting											
A	mm	210		254			315			390	
BF/BA H6	mm	170	106.375	220	106.375	139.719	300	139.719	196.869	300	196.869
C	mm	133.4		171.4	-	171.4	235	-	235		235
CA	mm	-	-	-	133.4	-	-	171.4	-	-	-
D	mm	13.5		17	13.5	17	21	17	21		21
E	mm	70			88			110			98
F1	mm	M20			M24			M24			M24
F2	mm	M38 x 1.5			M56 x 2			M56 x 2			M56 x 2
F3	mm	M16			M20			M20			M20
G	mm	51			61			61			70
Chuck height											
HF/HA	mm	92	111	105	124	127	111	127	136	116	140
K H8	mm	24			30			30			35
L1	mm	66			59			33			54
L3	mm	11			9			11			11
M	mm	M28 x 1.5			M28 x 1.5			M28 x 1.5			M24 x 1
R1	mm	105.5			127.5			158			196
Rmax	mm	72			88			105			133.5
S1	mm	189			203			201			218
S2	mm	61			71			69			86
S3	mm	21			33			31			45.5
Jaw stroke (power 1 + 3)											
U1	mm	4			5			5			7
Jaw stroke (power / spring 2 + 4)											
U2	mm	3			4			4			5.4
W1	mm	60			60			60			60
W2	mm	20			20			20			20
W3	mm	29			31			29			29
X	mm	8			8			10			10
YF/YA	mm	5	24	5	24	27	5	30	30	6	30
Wedge stroke											
Z	mm	19			24			24			33
e	mm	66			77.5			93			116
f	mm	4			4			4			7
g	mm	2.5			3			3			3
j	mm	36			45			45			62
k1	mm	11			12			12			14
l	mm	44.4			54			54			76.2
m	mm	M12			M16			M16			M20
n h8	mm	7.94			12.7			12.7			12.7
o H7	mm	12.68			19.03			19.03			19.03
p	mm	80			102			100			150
q	mm	45			60			60			80
r	mm	M8			M10			M10			M12
s H8	mm	16			16			20			20
t	mm	5			5			5			5

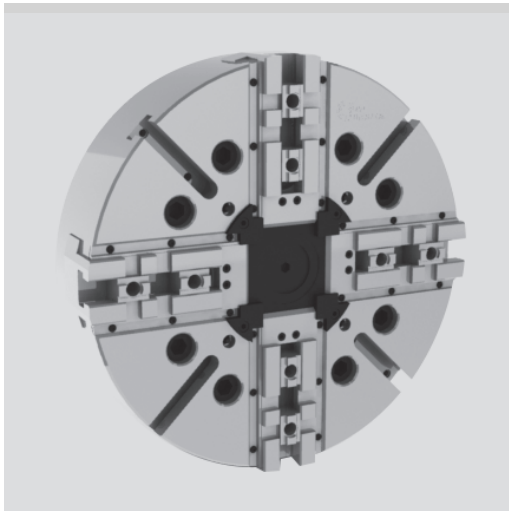
* Indirect mounting.

TPT-C

2+2 independent jaw movement
TONGUE & GROOVE

High precision 2+2 jaw power chuck with self-centering independent jaw movement Ø 500 - 800 mm

- Closed center
- Tongue & groove



Application/customer benefits

- Clamping of rectangular and square workpieces, self-centering in two axes

Technical features

- 2+2 jaw chuck with 2 independent self-centering jaw drives (two wedge drives)
- Jaw No. 1 + 3 (clamping jaws): power operated
- Jaw No. 2 + 4 (centering jaws): spring operated or optionally power operated*
- High quality cast iron body for lightweight and durability
- Protection from contamination with seals along the master jaw profiles

Standard equipment

2+2 jaw chuck
1 set of T-nuts and bolts
1 set of soft top jaws
Mounting bolts

Ordering example

Power chuck TPT-C 500 2+2 Z380
or
Power chuck TPT-C 800 2+2 A15

A One wedge drive

- Operated by standard closed center cylinders.
- Jaws 2 and 4 are spring operated to center the component in one axis.
- Jaws 1 and 3 are power operated by the cylinder to center the component on the second axis and to apply the gripping force to drive the component.
- For external clamping only (on request internal clamping).
- See specific draw pull, gripping force and maximum speed in the technical data table below.

B Two independent wedge drives*

- Operated by independent double piston cylinders. Jaws 2 and 4 are power operated (using the small cylinder) to center the component in one axis.
- Jaws 1 and 3 are also power operated (using the large cylinder) to center the component on the second axis and to apply the gripping force to drive the component.
- Since both pair of jaws are power operated the chuck can reach higher speeds.
- See specific draw pull, gripping force and maximum speed in the technical data table below.

***Note:** The chucks are always delivered as „one wedge drive“ version: To use them as „two independent wedge drives“ version, just remove the internal „spring assembly“ according to instruction manual.

Technical data

SMW-AUTOBLOK Type		TPT-C 500	TPT-C 630	TPT-C 800
Number of jaws		2+2	2+2	2+2
Radial jaw stroke	mm	8.5	10	10
Wedge stroke	mm	32	38	38
Weight (plain back without top jaws)	kg	180	325	550
Moment of inertia	kg·m ²	6	16	44

A ONE wedge drive

SMW-AUTOBLOK Type		TPT-C 500	TPT-C 630	TPT-C 800
Number of jaws		2+2	2+2	2+2
Max. draw pull (clamping wedge, jaw 1 + 3)	kN	80	80	80
Max. gripping force jaw 1 + 3** (power operated)	kN	160	160	160
Max. centering force jaw 2 + 4 (spring operated)	kN	30	30	30
Max. speed	r.p.m.	800	630	500
Recommended actuating cylinders	Type	SIN-S 175-200	SIN-S 175-200	SIN-S 175-200

B TWO independent wedge drives

SMW-AUTOBLOK Type		TPT-C 500	TPT-C 630	TPT-C 800
Number of jaws		2+2	2+2	2+2
Max. draw pull** (clamping wedge, jaw 1 + 3)	kN	67	67	67
Max. draw pull** (centering wedge, jaw 2 + 4)	kN	50	50	50
Max. gripping force jaw 1 + 3** (power operated)	kN	160	160	160
Max. centering force jaw 2 + 4 (power operated)	kN	120	120	120
Max. speed	r.p.m.	1200	850	700
Recommended actuating cylinders***	Type	DCE 140 / 140	DCE 140 / 140	DCE 140 / 140

** For internal clamping reduce the draw pull by 30%.

*** SMW-AUTOBLOK 326: Technical details of DCE cylinders see general catalog.

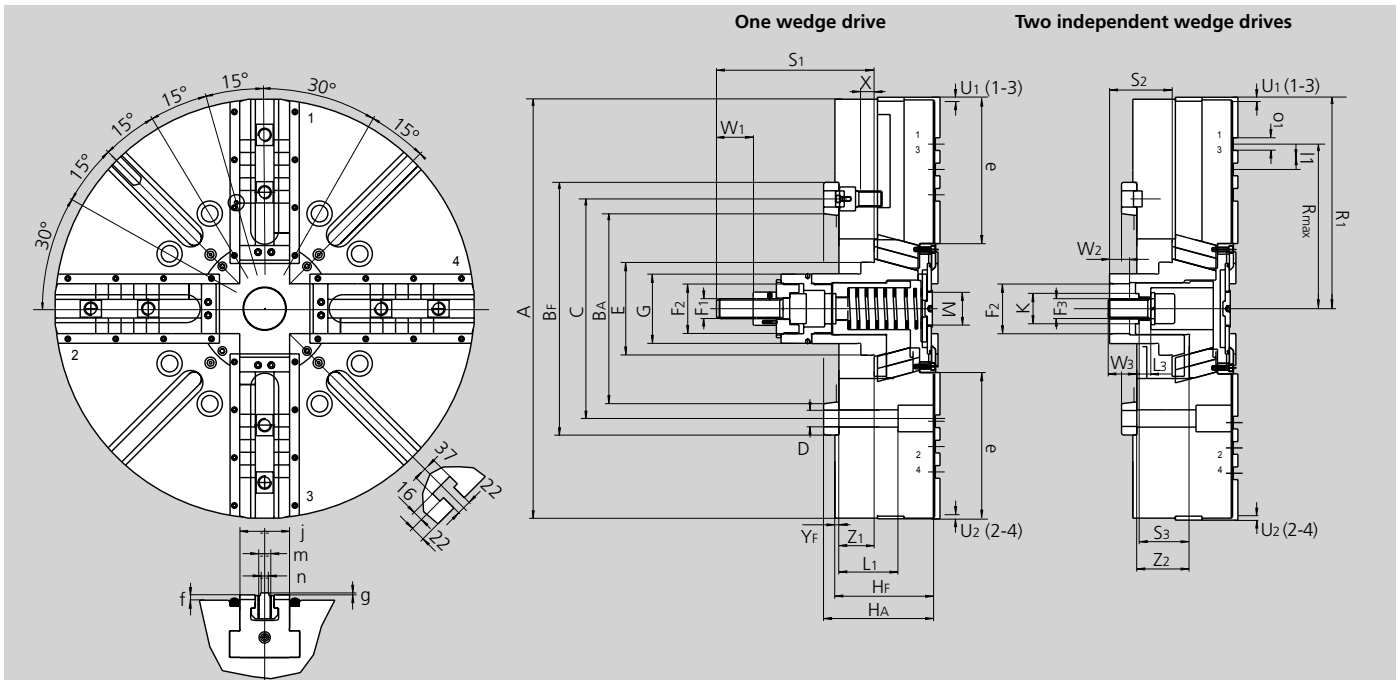


High precision 2+2 jaw power chuck with self-centering independent jaw movement Ø 500 - 800 mm

TPT-C

- Closed center
- Tongue & groove

2+2 independent jaw movement
TONGUE & GROOVE



Subject to technical changes.
For more detailed information please ask our customer service.

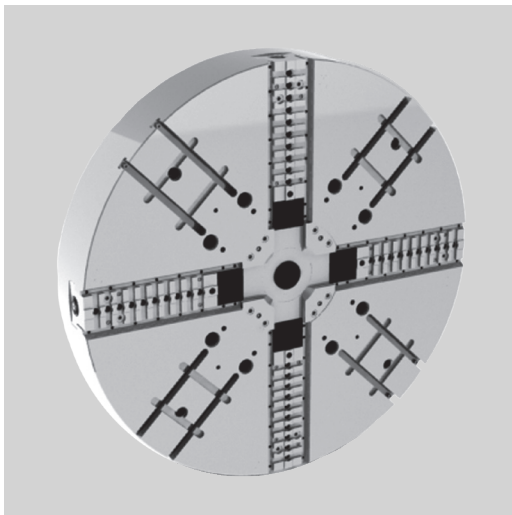
SMW-AUTOBLOK Type	TPT-C 500		TPT-C 630		TPT-C 800	
	Z380	A15	Z380	A15	Z380	A15
Mounting						
	A	mm	510	630	800	
	Bf/BA H6	mm	380	285.775	380	285.775
	C	mm	330.2	330.2	330.2	
	D	mm	25	25	25	
	E	mm	140	140	140	
	F1	mm	M30	M30	M30	
	F2	mm	M75 x 2	M75 x 2	M75 x 2	
	F3	mm	M30	M30	M30	
	G	mm	104	104	104	
Chuck height	Hf/HA	mm	130	147	150	167
	K	mm	45	45	45	
	L1	mm	89	89	89	
	L3	mm	18	18	18	
	M	mm	M52 x 1.5	M52 x 1.5	M52 x 1.5	
	R1	mm	263	318	405	
	Rmax	mm	209.5	247.5	349	
	S1	mm	237	237	237	
	S2	mm	94	94	94	
	S3	mm	76	76	76	
Jaw stroke (power 1 + 3)	U1	mm	8.5	10	10	
Jaw stroke (power / spring 2 + 4)	U2	mm	6.5	8	8	
	W1	mm	55	55	55	
	W2	mm	30	30	30	
	W3	mm	46	46	46	
	X	mm	20	20	20	
	Yf/YA	mm	6 / 23	6 / 23	6 / 23	
Wedge stroke 1 max. / min.	Z1	mm	33 / 1	53 / 15	53 / 15	
Wedge stroke 2 max. / min.	Z2	mm	59 / 27	79 / 41	79 / 41	
	e	mm	165	220	307	
	f	mm	8	8	8	
	g	mm	3	3	3	
	j	mm	75	75	75	
	l1	mm	38.1	38.1	38.1	
	m	mm	20	20	20	
	n	mm	12.7	12.7	12.7	
	o1	mm	19.03	19.03	19.03	

TPT-RC

2+2 independent jaw movement
TONGUE & GROOVE
Radial setting of jaws

High precision 2+2 jaw power chuck with self-centering independent jaw movement Ø 1000 - 2000 mm

- Closed center
- Tongue & groove



Application/customer benefits

- High versatility on large vertical lathes to clamp round, elliptical, irregular, square and rectangular workpieces, self centering in two axes
- External or internal clamping

Technical features

- 2+2 jaw chuck with 2 independent self-centering jaw drives (two wedge drives)
- Jaw No. 1 + 3 (clamping jaws): power operated
- Jaw No. 2 + 4 (centering jaws): power operated
- Internal parts case hardened for high precision and long life
- With manual radial setting of jaws for the workpiece centering
- Protection from contamination with seals along the master jaw profiles
- Possibility to use jaw boxes for manual clamping mounted on the T-slots between the master jaws

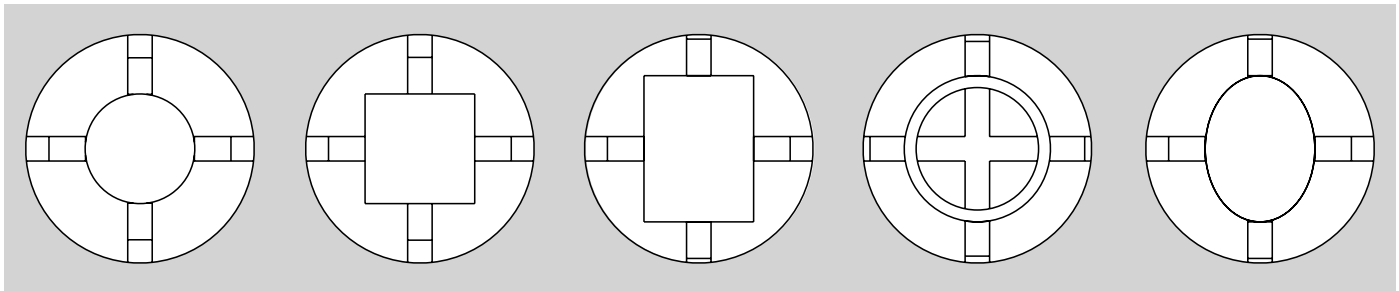
Standard equipment

2+2 jaw chuck
1 set of soft top jaws
Mounting bolts

Ordering example

Power chuck TPT-RC 2+2 1000 Z520

Using the double centering it is possible to easily clamp a wide variety of component shapes: round, square, ring, rectangular, oval and irregular



Two independent wedge drives

- Operated by independent double piston cylinders.
- Jaws 2 and 4 are power operated to center the component in one axis and to drive the component.
- Jaws 1 and 3 are power operated to center the component on the second axis and to drive the component.
- Since both pairs of jaws are power operated the chuck can reach high speeds.
- See specific draw pull, gripping force and maximum speed in the technical data table below.

Technical data

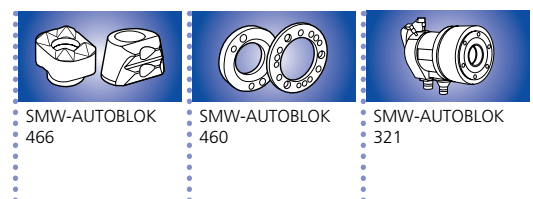
SMW-AUTOBLOK Type		TPT-RC 1000	TPT-RC 1250	TPT-RC 1400	TPT-RC 1600	TPT-RC 2000
Number of jaws		2+2	2+2	2+2	2+2	2+2
Radial jaw stroke + Radial setting stroke	mm	17+30	17+30	20+40	20+40	20+40
Wedge stroke	mm	30	30	40	40	40
Weight (plain back without top jaws)	kg	750	940	1460	1800	2760
Moment of inertia	kg·m ²	86	180	355	565	1370

TWO independent wedge drives

SMW-AUTOBLOK Type		TPT-RC 1000	TPT-RC 1250	TPT-RC 1400	TPT-RC 1600	TPT-RC 2000
Number of jaws		2+2	2+2	2+2	2+2	2+2
Max. draw pull* (wedge 1, jaw 1 + 3)	kN	100	100	130	130	130
Max. draw pull* (wedge 2, jaw 2 + 4)	kN	100	100	130	130	130
Max. gripping force jaw 1 + 3* (power operated)	kN	140	140	190	190	190
Max. centering force jaw 2 + 4 (power operated)	kN	140	140	190	190	190
Max. speed	r.p.m.	550	450	450	400	280
Recommended actuating cylinders**	Type	DCE 240 / 240	DCE 240 / 240	DCE 240 / 240	DCE 240 / 240	DCE 240 / 240

* For internal clamping reduce the draw pull by 30%.

** SMW-AUTOBLOK 326: Technical details of DCE cylinders see general catalog.



TX-C

Self centering
Rigid jaws

High precision pull-down chuck Ø 170 - 530 mm

- Active pull-down
- Tongue & groove
- 3 jaws



Application/customer benefits

- Clamping of workpieces with highest demand for **parallelism**
- Highest repeatability
- **Highest productivity** with long maintenance intervals
- Constant grip force and long lifetime ensure **constant quality of workpieces**

Technical features

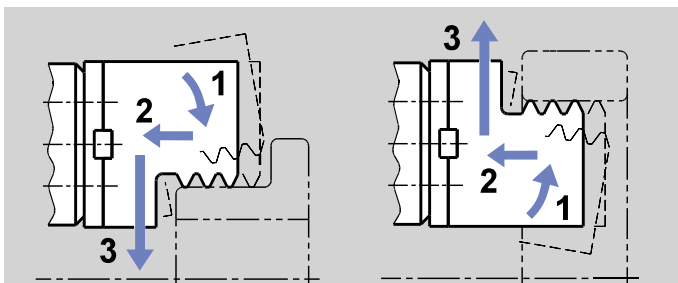
- 3-jaw design
- Active pull-down
- Centrifugal force compensation
- TONGUE & GROOVE base jaws
- Highest repeatability (similar to Diaphragm chucks)
- Central bore for coolant and / or air
- Permanent grease lubrication
- **proofline® chucks** = fully sealed - low maintenance

Standard equipment

3-jaw chuck
Mounting bolts

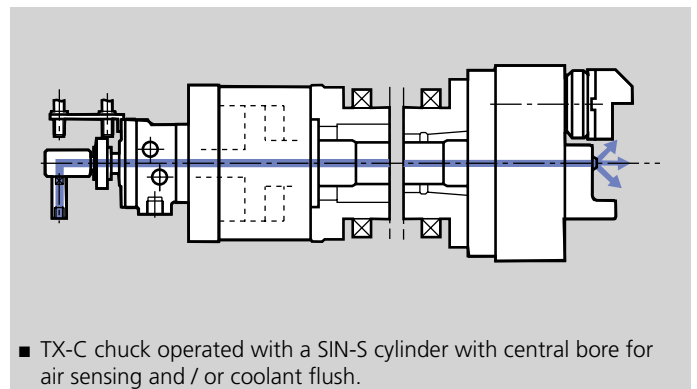
Ordering example

3-jaw chuck TX-C 210 / A6

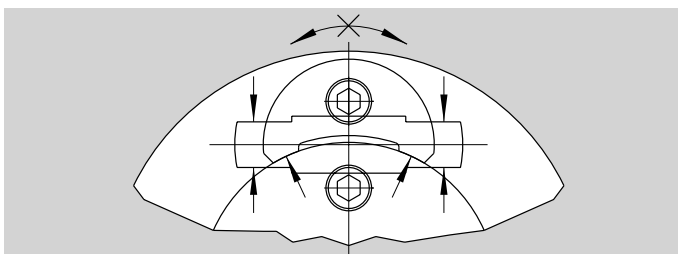


Principle of function:

- 1 pre-clamping - 2 active pull-down - 3 clamping
- For O.D. and I.D. clamping.



- TX-C chuck operated with a SIN-S cylinder with central bore for air sensing and / or coolant flush.



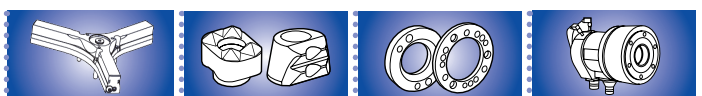
TX-C: High resistance to the radial torque, ideal for turning and milling application and guarantee of high precision, durability and constant process results.

Technical data

SMW-AUTOBLOK Type		TX-C 170	TX-C 210	TX-C 250	TX-C 315	TX-C 400	TX-C 530
Angular jaw stroke U°	deg.	5.2°	5.2°	4.9°	4.9°	4.7°	4.7°
Radial jaw stroke at distance h	mm	5.3	6.3	7	7	7.5	7.5
Pull down movement (standard)	mm	0.1	0.1	0.1	0.1	0.2	0.2
Axial piston stroke	mm	21	25	26	26	30	30
Max. draw pull**	kN	18	25	40	40	50	60
Max. gripping force at distance h**	kN	53	72	115	115	144	180
Max. speed*	r.p.m.	5000	4500	3800	3000	2200	1800
Weight (plain back without top jaws)	kg	16	28	42	67	125	248
Moment of inertia	kg·m ²	0.06	0.17	0.35	0.84	2.3	8.8
Recommended actuating cylinders	Type	SIN-S 85	SIN-S 100	SIN-S 125	SIN-S 125	SIN-S 150	SIN-S 150

* The above maximum speed is allowed with standard weight / height top jaws and applying the full draw pull only. For more information please contact SMW-AUTOBLOK.

** For internal clamping reduce the draw pull by 30%.



• on request:
• Tooling Standard
• Parts Catalog

• SMW-AUTOBLOK
• 466

• SMW-AUTOBLOK
• 460

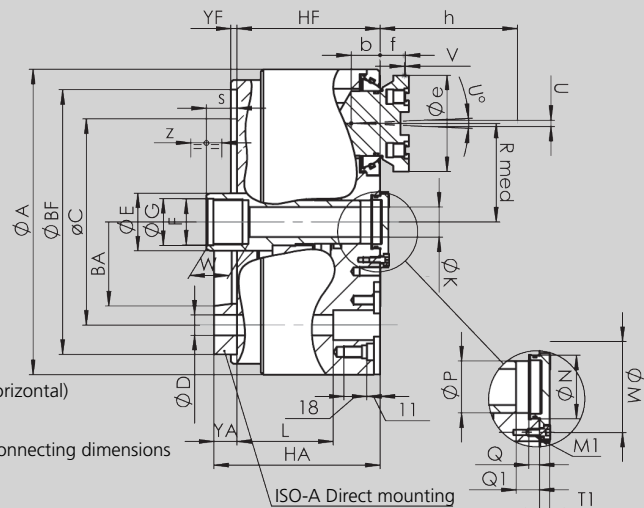
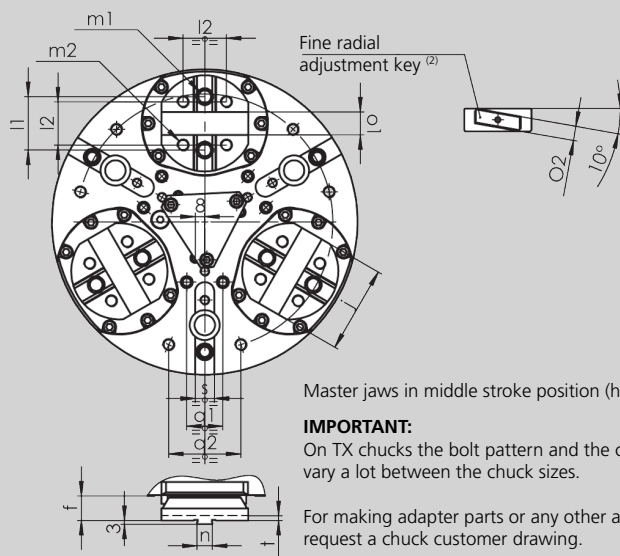
• SMW-AUTOBLOK
• 321

High precision pull-down chuck Ø 170 - 530 mm

TX-C

- Active pull-down
- Tongue & groove
- 3 jaws

Self centering
Rigid jaws



Master jaws in middle stroke position (horizontal)

IMPORTANT:

On TX chucks the bolt pattern and the connecting dimensions vary a lot between the chuck sizes.

For making adapter parts or any other accessories always request a chuck customer drawing.

Subject to technical changes.
For more detailed information please ask our customer service.

SMW-AUTOBLOK Type			TX-C 170		TX-C 210		TX-C 250		TX-C 315		TX-C 400		TX-C 530	
Mounting			Z140	A5	Z170	A6	Z220	A8	Z220	A8	Z300	A11	Z380	A11
	A	mm	175		212		254		315		390		535	
	BF/BA H6	mm	140	82.5	170	106.375	220	139.719	220	139.719	300	196.869	380	285.775
	C	mm	104.8		133.4		171.4		171.4		235		330.2	
	D	mm	11.5		13.5		17		17		21		25	
	E	mm	36		38		48		48		75		75	
	F	mm	M28 x 1.5		M32 x 1.5		M38 x 1.5		M38 x 1.5		M60 x 1.5		M60 x 1.5	
	G H8	mm	29		33		39		39		61		61	
	Hf/HA	mm	94	109	112	129	119	138	119	138	144	165	149	172
Through-hole	K	mm	14		18		25		25		52		52	
	L	mm	68		82		80		80		94		97	
	M	mm	36		42		63		63		90		90	
Thread / depth	M1	mm	M5 / 12		M6 / 11		M6 / 14		M6 / 14		M8 / 17		M8 / 17	
	N H8	mm	28		34		44		44		75		75	
	P	mm	23		28		36		36		65		65	
	Q	mm	6		5.5		7.5		7.5		9		9	
At middle stroke	Q1	mm	13		14		16		16		21		21	
At middle stroke	Rmed	mm	55		64		82		107		130		190	
At middle stroke	S	mm	17		20		25		25		25		21	
	T1	mm	10		7		7		7		15		15	
Radial stroke	U°	deg.	5.2°		5.2°		4.9°		4.9°		4.7°		4.7°	
Radial stroke ⁽¹⁾	U	mm	5.3		6.3		7		7		7.5		7.5	
Pull-down s / d	V	mm	0.1		0.1		0.1		0.1		0.2		0.2	
	W	mm	25		25		30		30		25		25	
Axial piston stroke	Z	mm	21		25		26		26		30		30	
	b	mm	19		22		24		24		29		29	
	e	mm	60		75		80		80		105		105	
Reference height	f	mm	17		21		21		21		28		28	
	h	mm	40		48		58		58		63		63	
	j	mm	48		65.2		72.2		72.2		100.2		100.2	
	l1	mm	32		38		44.4		44.4		63.5		63.5	
Thread / depth	l2	mm	24		32		36		36		48		48	
Thread / depth	m1	mm	M10 / 13		M12 / 15		M12 / 15		M12 / 15		M16 / 18		M16 / 18	
	m2	mm	M8 / 12		M10 / 14		M10 / 14		M10 / 14		M12 / 14		M12 / 14	
	n h8	mm	7.94		7.94		12.7		12.7		12.7		12.7	
	o1 H7	mm	12.68		12.68		19.03		19.03		19.03		19.03	
	o2 h7	mm	9		9		12		12		12		12	
	s H9	mm	16		16		16		16		-		-	
	t	mm	4		4		4		4		7		7	
	Yf	mm	5		5		5		5		6		6	
	q1	mm	-		-		-		-		-		-	
	q2	mm	-		-		-		-		-		-	

(1) Calculated at **h** distance from the chuck's face (where normally the clamping takes place).
(2) SMW-AUTOBLOK 186: General catalog.

TX-RV

Self centering
Rigid jaws

Quick jaw change, high precision pull-down chuck

Ø 170 - 530 mm

- Active pull-down
- Quick jaw change (internal / external)
- 3 jaws



Application/customer benefits

- Clamping of workpieces with highest demand for **parallelism**
- Highest repeatability
- **Highest productivity** with long maintenance intervals
- For small-medium batches production, due to the quick jaw change
- All chucks are the same, the same jaws can be used on all chucks of the same size
- Constant grip force and long lifetime ensure **constant quality of workpieces**

Technical features

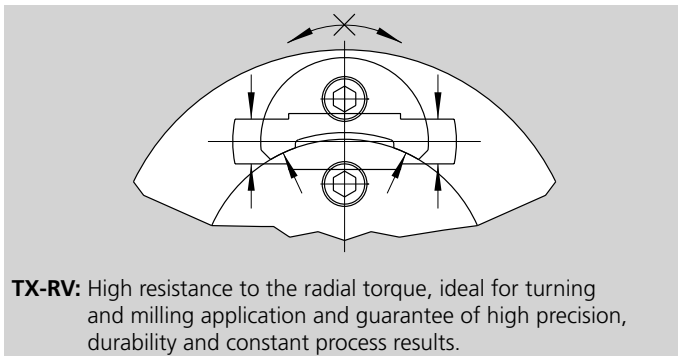
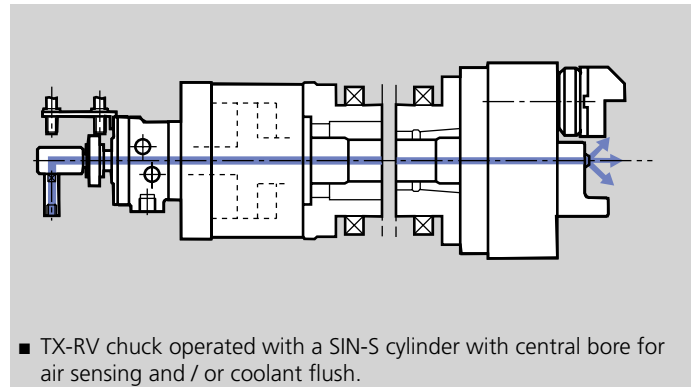
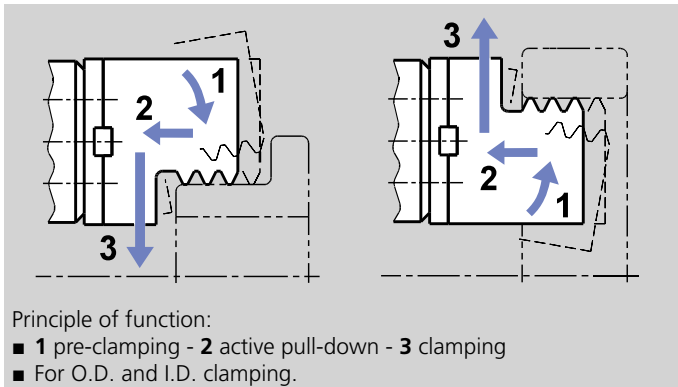
- 3-jaw design
- Active pull-down
- Centrifugal force compensation
- Quick jaw change
- Highest repeatability (similar to Diaphragm chucks)
- Central bore for coolant and / or air
- Permanent grease lubrication
- **proofline® chucks** = fully sealed - low maintenance

Standard equipment

3-jaw chuck
Mounting bolts

Ordering example

3-jaw chuck TX-RV 530 / A11

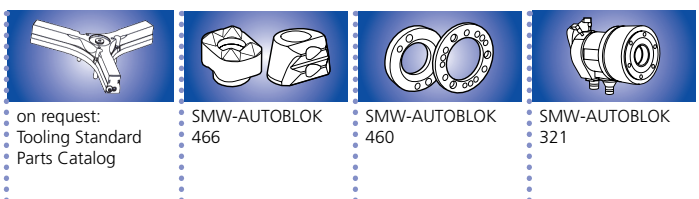


Technical data

SMW-AUTOBLOK Type		TX-RV 170	TX-RV 210	TX-RV 250	TX-RV 315	TX-RV 400	TX-RV 530
Angular jaw stroke U°	deg.	5.2°	5.2°	4.9°	4.9°	4.7°	4.7°
Radial jaw stroke at distance h	mm	5.3	6.3	7	7	7.5	7.5
Pull down movement (standard)	mm	0.1	0.1	0.1	0.1	0.2	0.2
Axial piston stroke	mm	21	25	26	26	30	30
Max. draw pull**	kN	18	25	40	40	50	60
Max. gripping force at distance h**	kN	53	72	115	115	144	180
Max. speed*	r.p.m.	5000	4500	3800	3000	2200	1800
Weight (plain back without top jaws)	kg	16	28	42	67	125	248
Moment of inertia	kg·m ²	0.06	0.17	0.35	0.84	2.3	8.8
Recommended actuating cylinders	Type	SIN-S 85	SIN-S 100	SIN-S 125	SIN-S 125	SIN-S 150	SIN-S 150

* The above maximum speed is allowed with standard weight / height top jaws and applying the full draw pull only. For more information please contact SMW-AUTOBLOK.

** For internal clamping reduce the draw pull by 30%.



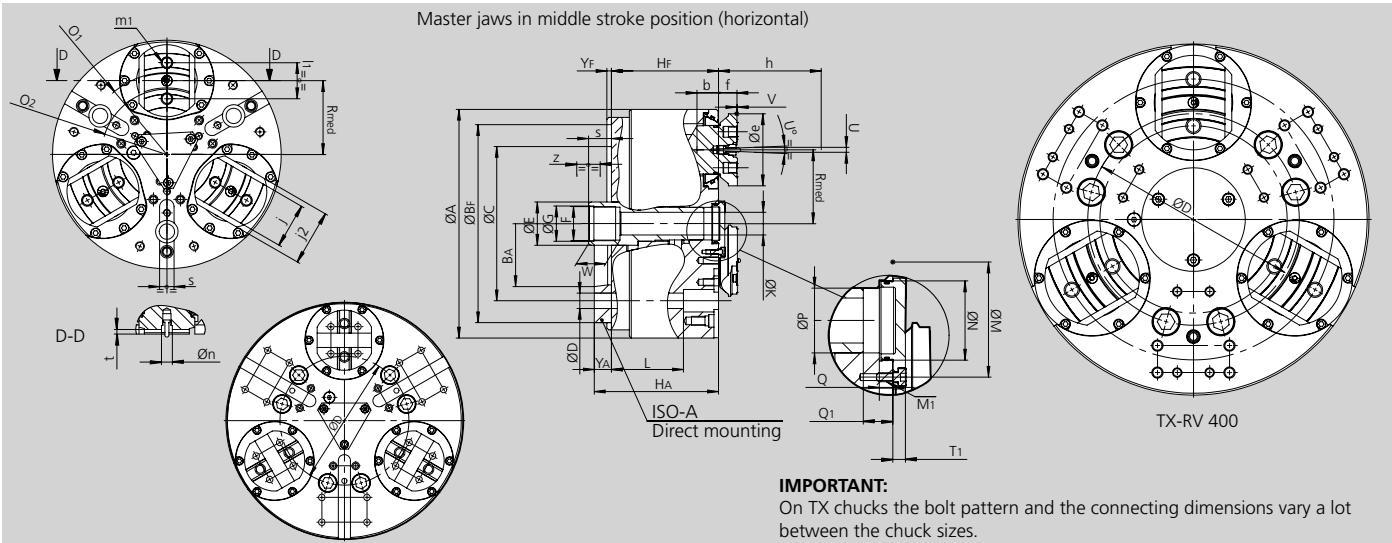
Quick jaw change, high precision pull-down chuck

Ø 170 - 530 mm

- Active pull-down
- Quick jaw change (internal / external)
- 3 jaws

TX-RV

Self centering
Rigid jaws



Subject to technical changes.
For more detailed information please ask our customer service.

IMPORTANT:
On TX chucks the bolt pattern and the connecting dimensions vary a lot between the chuck sizes.

For making adapter parts or any other accessories always request a chuck customer drawing.

4

SMW-AUTOBLOK Type			TX-RV 170		TX-RV 210		TX-RV 250		TX-RV 315		TX-RV 400		TX-RV 530	
Mounting			Z140	A5	Z170	A6	Z220	A8	Z220	A8	Z300	A11	Z380	A11
	A	mm	175		212		254		315		390		535	
	Bf/BA H6	mm	140	82.5	170	106.375	220	139.719	220	139.719	300	196.869	380	285.775
	C	mm	104.8		133.4		171.4		171.4		235		330.2	
	D	mm	11.5		13.5		17		17		21		25	
	E	mm	36		38		48		48		75		75	
	F	mm	M28 x 1.5		M32 x 1.5		M38 x 1.5		M38 x 1.5		M60 x 1.5		M60 x 1.5	
	G H8	mm	29		33		39		39		61		61	
	Hf/HA	mm	94	109	112	129	119	138	119	138	144	165	149	172
Through-hole	K	mm	14		18		25		25		52		52	
	L	mm	68		82		80		80		94		97	
	M	mm	36		42		63		63		90		90	
Thread / depth	M1	mm	M5 / 12		M6 / 11		M6 / 14		M6 / 14		M8 / 17		M8 / 17	
	N H8	mm	28		34		44		44		75		75	
	P	mm	23		28		36		36		65		65	
	Q	mm	6		5.5		7.5		7.5		9		9	
At middle stroke	Q1	mm	13		14		16		16		21		21	
At middle stroke	Rmed	mm	55		64		82		107		130		190	
At middle stroke	S	mm	17		20		25		25		25		20	
	T1	mm	10		7		7		7		15		15	
Radial stroke	U°	deg.	5.2°		5.2°		4.9°		4.9°		4.7°		4.7°	
Radial stroke ⁽¹⁾	U	mm	5.3		6.3		7		7		7.5		7.5	
Pull-down s / d	V	mm	0.1		0.1		0.1		0.1		0.2		0.2	
	W	mm	25		25		30		30		25		25	
Axial piston stroke	Z	mm	21		25		26		26		30		30	
	b	mm	19		22		24		24		29		29	
	e	mm	60		75		80		80		105		105	
Reference height	f	mm	17		21		21		21		28		28	
	h	mm	40		48		58		58		63		63	
	j	mm	35		45		50		50		70		70	
	l1	mm	30		36		40		40		52		52	
Thread / depth	m1	mm	M10 / 12		M12 / 15		M12 / 15		M12 / 15		M16 / 18		M16 / 18	
	n h8	mm	12		12		12		12		12		12	
	o1 js6	mm	122		142		180		230		276		396	
	O2 js6	mm	98		114		148		198		244		364	
	s H9	mm	16		16		16		16		-		-	
	t	mm	5		5		5		5		7		7	
	Yf	mm	5		5		5		5		6		6	
	j2	mm	-		56		62		62		85		85	

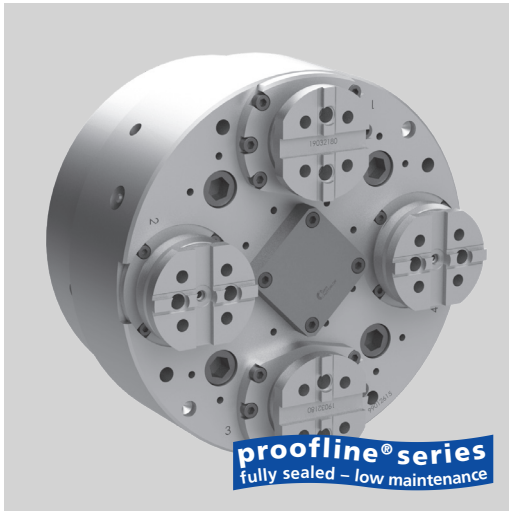
⁽¹⁾ Calculated at **h** distance from the chuck's face (where normally the clamping takes place).

TSX-C 2+2

Pull down chuck
4 jaws 2+2

High precision pull-down chuck Ø 265 - 315 mm

- Active pull-down
- 2+2 jaws
- Tongue & groove



Application/customer benefits

- Self-centering clamping of irregular pieces on four sides even on two different axial levels. For example: 1st operation of the differential case turning
- Machining of parts where the concentricity between the turned diameters and the square / rectangular / irregular profile on which the chuck clamps is very accurate
- Centering the pieces with the two self-centering movements of the two pairs of jaws
- Actuation only with double piston cylinders of the series DCE
- Clamping of workpieces with highest demand for **parallelism**
- **Highest productivity** with long maintenance intervals
- Constant grip force and long lifetime ensure **constant quality of workpieces**

Technical features

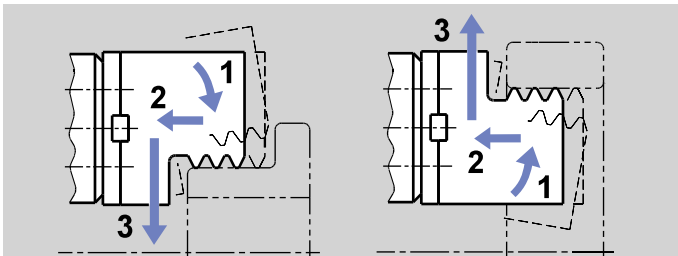
- 2+2 jaw chuck with 2 independent self-centering jaw drives, thanks to the 2 internal wedges
- Jaw 1 + 3: TX jaws very rigid and accurate
- Jaw 2 + 4: Can be rigid (TSXR-C) or floating depending on the customer application
- Active pull-down
- Centrifugal force compensation
- TONGUE & GROOVE master jaws
- Optional central hole for air or coolant
- Permanent grease lubrication
- **proofline® chucks** = fully sealed - low maintenance

Standard equipment

2+2 jaw chuck
Mounting bolts

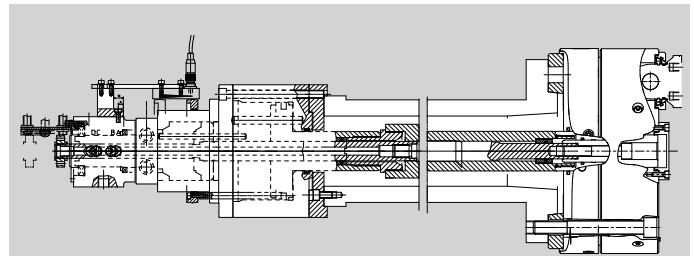
Ordering example

2+2 jaw chuck TSXR-C 265

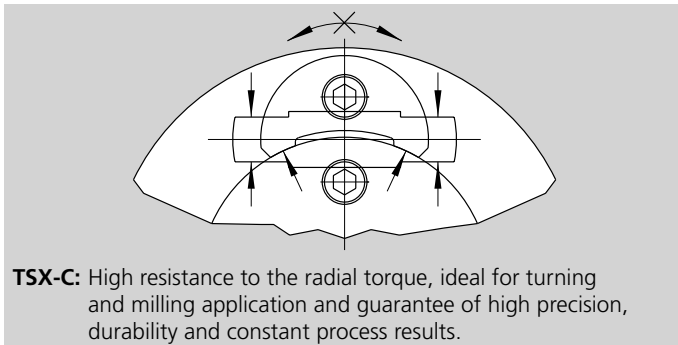


Principle of function:

- 1 pre-clamping - 2 active pull-down - 3 clamping
- For O.D. and I.D. clamping.



- **TSX-C:** chuck operated with a DCE cylinder with central bore for air sensing and / or coolant flush.



TSX-C: High resistance to the radial torque, ideal for turning and milling application and guarantee of high precision, durability and constant process results.

Technical data

SMW-AUTOBLOK Type		TSXR-C 265	TSXR-C 315
Number of jaws		2+2	2+2
Angular jaw stroke U° (TX)	deg.	3.3	3.9
Radial jaw stroke at distance h (TX)	mm	4	5.5
Axial piston stroke (TX)	mm	16	20
Max. draw pull** (TX)	kN	16	26
Max. gripping force at distance h** (TX)	kN	40	64
Angular jaw stroke U1° (TS)	deg.	4.2	4,6
Radial jaw stroke at distance h1 (TS)	mm	5.1	6.6
Axial piston stroke (TS)	mm	20	24
Max. draw pull** (TS)	kN	16	26
Max. gripping force at distance h1** (TS)	kN	40	64
Pull down movement (standard)	mm	0.1	0.1
Max. speed*	r.p.m.	3250	2500
Weight (plain back without top jaws)	kg	52	88
Moment of inertia	kg·m²	0.45	1.1
Recommended actuating cylinders	Type	DCE 64-64	DCE 64-64

* The above maximum speed is allowed with standard weight / height top jaws and applying the full draw pull only. For more information please contact SMW-AUTOBLOK.

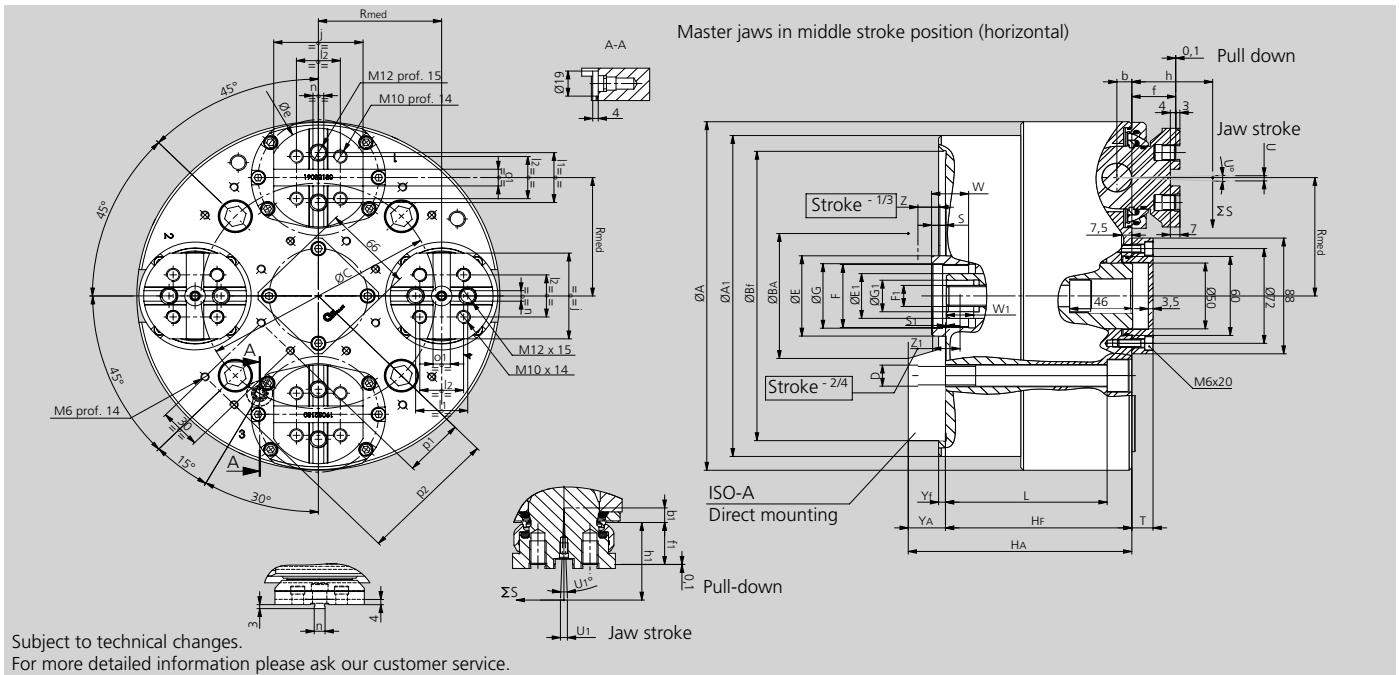
** For internal clamping reduce the draw pull by 30%.

High precision pull-down chuck Ø 265 - 315 mm

TSX-C 2+2

- Active pull-down
- 2+2 jaws
- Tongue & groove

Pull down chuck
4 jaws 2+2



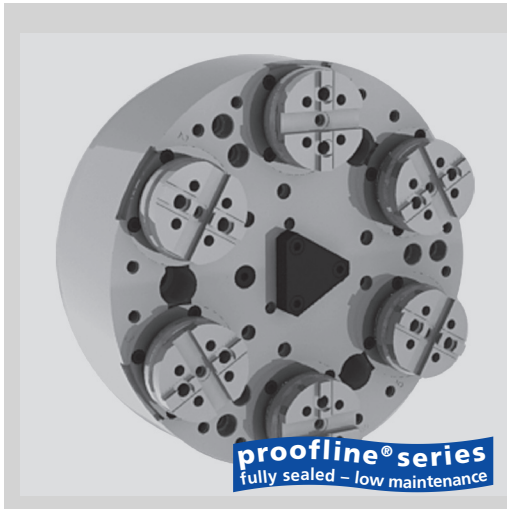
Subject to technical changes.
For more detailed information please ask our customer service.

SMW-AUTOBLOK Type			TSXR-C 265		TSXR-C 315	
Mounting			Z220	A8	Z220	A11
	A	mm		265		315
	Bf/BA H6	mm	220	139.719	300	196.869
	C	mm		171.4		235
	D	mm		M16		M20
	E	mm		48		48
	F	mm		M48 x 1.5		M88 x 1.5
	G H8	mm		49		49
	Hf/HA	mm	136	155	147	168
	E1	mm		34		34
	F1	mm		M16		M16
	G1 H8	mm		24		24
	A1	mm		244		315
	L	mm		118		124
	Rmed	mm		90		107
At middle stroke	S	mm		10.1		12.5
At middle stroke	S1	mm		0.6		1.4
	T	mm		15.5		15.5
Radial stroke	U°	deg.		3.3°		3.9°
Radial stroke	U1°	deg.		4.2°		4.6°
Radial stroke ⁽¹⁾ (1-3)	U	mm		4		5.5
Radial stroke ⁽¹⁾ (2-4)	U1	mm		5.1		6.6
	W	mm		27		27
	W1	mm		20		20
Axial piston stroke 1-3	Z	mm		16		20
Axial piston stroke 2-4	Z1	mm		20		24
	e	mm		75		80
	f	mm		32.1		32.1
	f1	mm		32		32
Reference height	h	mm		59		69
Reference height	h1	mm		59		69
	j	mm		65.2		72.2
	l1	mm		38		44.4
	l2	mm		32		36
	b	mm		10.9		12.9
	b1	mm		11		13.2
	n h8	mm		7.94		12.7
	o1 H7	mm		12.68		19.03
	Yf	mm		5		6
	p1	mm		44		44
	p2	mm		102		77
	p3	mm		-		102
	p4	mm		-		135

⁽¹⁾ Calculated at **h** distance from the chuck's face (where normally the clamping takes place).

TEF-CSelf centering
Floating jaws**TER-C**Self centering
Rigid jaws**High precision pull-down chuck 2+2+2 equalising****Ø 260 - 850 mm**

- Active pull-down
- Tongue & groove
- 6 jaws 2+2+2

**Application/customer benefits**

- Clamping of thin walled workpieces
- Suitable for OP 10 or unique clamping applications
- Low radial deformation with 2+2+2 clamping
- Constant grip force and long lifetime ensure **constant quality of workpieces**
- Low profile, ideal for machines with limited Z axis stroke

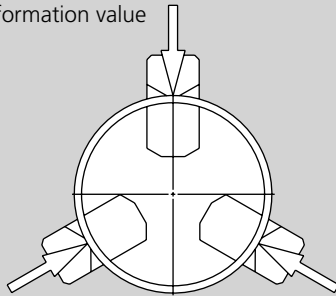
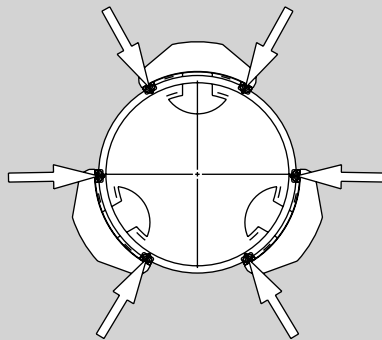
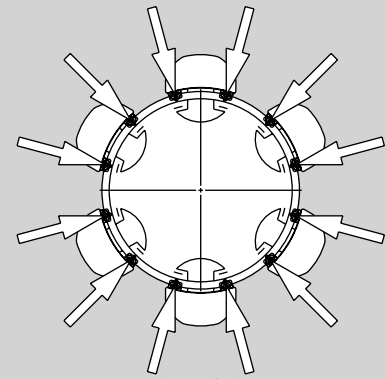
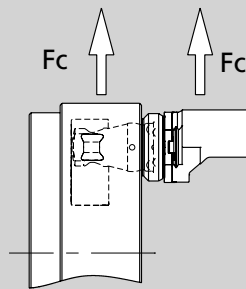
Technical features

- 6-jaw design
- Active pull-down
- Floating base jaws for 12 point contact
- Centrifugal force compensation
- TONGUE & GROOVE base jaws

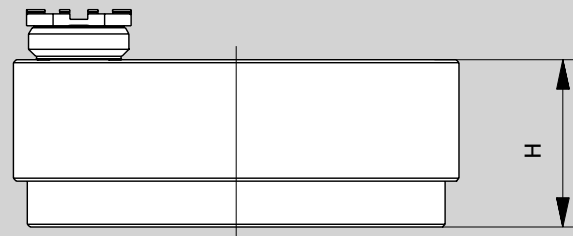
- Central bore for coolant and / or air
- Permanent grease lubrication
- **proofline® chucks** = fully sealed - low maintenance

Standard equipment6-jaw chuck
Mounting bolts**Ordering example**6-jaw chuck
TEF-C 260 / A8

x: Deformation value

 $0 \approx x$  $0 \approx x/4$  $0 \approx x/16$ 

Very high centrifugal force compensation for very high speed.



Very low profile and little limitation of the Z axis ideal for high production machines like the inverted spindle and frontal spindle lathes.

Technical data

SMW-AUTOBLOK Type		TEF-C 260 TER-C 260	TEF-C 320 TER-C 320	TEF-C 400 TER-C 400	TEF-C 530 TER-C 530	TEF-C 650 TER-C 650	TEF-C 850 TER-C 850
Angular jaw stroke U°	deg.	5.2°	4.9°	4.9°	4.7°	4.7°	5°
Radial jaw stroke at distance h	mm	5.4	6	7	7.6	7.5	9.8
Angular compensation jaw stroke max.	deg.	±2.4°	±2.2°	±2.2°	±2.1°	±1.5°	±2.25°
Radial compensation at distance h max.	mm	±2.5	±2.7	±3.2	±3.5	±2	±4.5
Pull down movement (standard)	mm	0.1	0.1	0.1	0.2	0.8	0.4
Axial piston stroke	mm	24	29	29	35	35	37
Max. draw pull**	kN	18	25	40	50	60	100
Max. gripping force at distance h**	kN	44	60	96	120	120	180
Max. speed*	r.p.m.	4200	3500	2500	1800	1200	1200
Weight (plain back without top jaws)	kg	39	68	118	234	370	770
Moment of inertia	kg·m ²	0.33	0.85	2.5	8.4	20	71
Recommended actuating cylinders	Type	SIN-S 100	SIN-S 100	SIN-S 125	SIN-S 125	SIN-S 150	SIN-S 200

* The above maximum speed is allowed with standard weight / height top jaws and applying the full draw pull only. For more information please contact SMW-AUTOBLOK.

** For internal clamping reduce the draw pull by 30%.

High precision pull-down chuck 2+2+2 equalising

Ø 260 - 850 mm

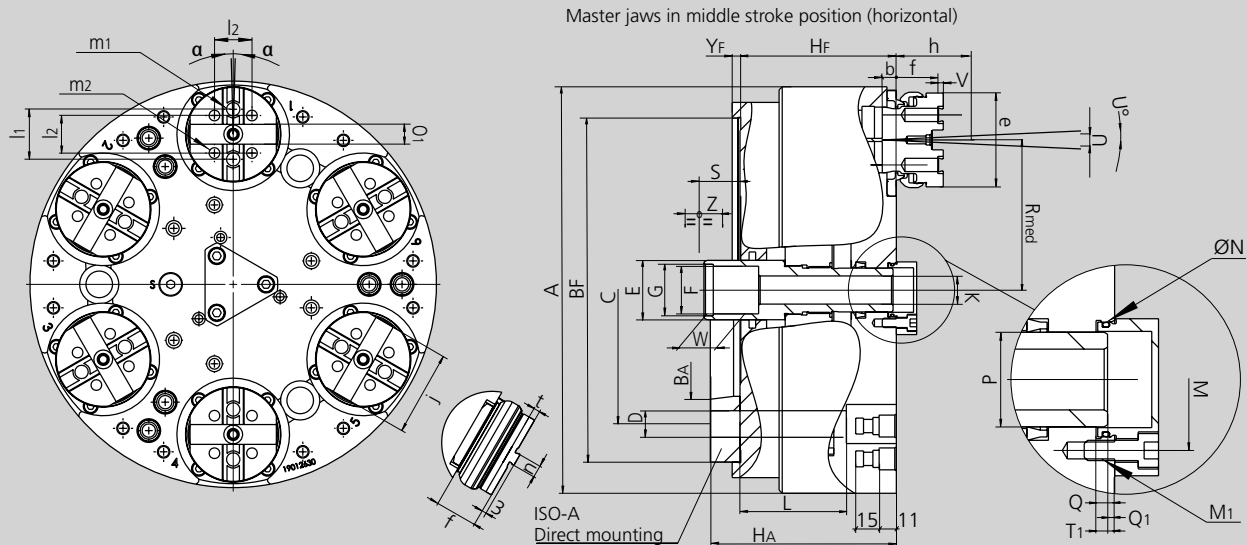
- Active pull-down
- Tongue & groove
- 6 jaws 2+2+2

TEF-C

Self centering
Floating jaws

TER-C

Self centering
Rigid jaws



Subject to technical changes.
For more detailed information please ask our customer service.

SMW-AUTOBLOK Type			TEF-C 260 TER-C 260		TEF-C 320 TER-C 260		TEF-C 400 TER-C 400		TEF-C 530 TER-C 530		TEF-C 650 TER-C 650		TEF-C 850 TER-C 850	
Mounting			Z220	A8	Z280	A11	Z300	A11	Z380	A15	Z380	A15	Z520	A20
	A	mm	260		320		404		530		650		850	
	Bf/BA H6	mm	220	139.719	280	196.869	300	196.869	380	285.775	380	285.775	520	412.775
	C	mm	171.4		235		235		330.2		330.2		463.6	
	D	mm	17		21		21		26		26		27	
	E	mm	38		48		48		75		75		100	
	F	mm	M32 x 1.5		M38 x 1.5		M38 x 1.5		M60 x 1.5		M60 x 1.5		M80 x 2	
	G H8	mm	33		39		39		61		61		81	
	Hf/HA	mm	100	119	115	136	122	143	142	165	157	180	180	205
Through-hole	K	mm	18		25		25		52		52		75	
	L	mm	68		84		94		107		107		145	
	M	mm	42		63		63		75		75		*	
Thread / depth	M1	mm	M6 / 11		M6 / 11		M6 / 11		M8 / 16		M8 / 16		M8 / 16	
	N H8	mm	34		44		44		75		75		150	
	P	mm	28		36		36		65		65		100	
	Q	mm	5.5		7.5		7.5		9		9		18.5	
At middle stroke	Q1	mm	5		5.5		5.5		6.5		10.5		5	
At middle stroke	Rmed	mm	96		113		152		200		260		345	
At middle stroke	S	mm	23.1		23.5		18.3		36.3		25.5		22.6	
	T1	mm	13		13		13		15		12		*	
Radial stroke	U°	deg.	5.2°		4.9°		4.9°		4.7°		4.7°		5°	
Radial stroke ⁽¹⁾	U	mm	5.4		6		7		7.6		7.5		9.8	
Pull-down s/d.	V	mm	0.1		0.1		0.1		0.2		0.8		0.4	
	W	mm	25		30		30		26		26		30	
Axial piston stroke	Z	mm	24		29		29		35		35		37	
	α	deg.	±2°**		±1.5°**		±1.5°**		±1.5°**		±1°**		±1.3°**	
	b	mm	9		10		12		12		12		12.4	
	e	mm	60		75		80		105		105		127	
	f	mm	27		33		33		32		32		46	
Reference height	h	mm	50		60		70		80		80		100	
	j	mm	55.2		65.2		72.2		100.2		100.2		116.2	
	l1	mm	32		38		44.4		63.5		63.5		63.5	
	l2	mm	24		32		36		48		48		54	
Thread / depth	m1	mm	M10 / 16		M12 / 18		M12 / 18		M16 / 20		M16 / 20		M20 / 25	
Thread / depth	m2	mm	M8 / 14		M10 / 14		M10 / 14		M12 / 17		M12 / 17		M16 / 24	
	n h8	mm	7.94		7.94		12.7		12.7		12.7		12.7	
	o1 H7	mm	12.68		12.68		19.03		19.03		19.03		19.03	
	t	mm	4		4		4		7		4		7	
	Yf	mm	5		5		6		6		6		6	

* Please ask for chuck drawing.

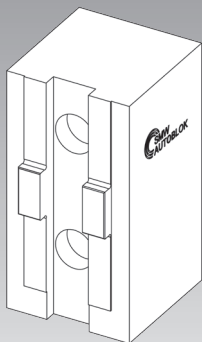
** TEF-C only.

⁽¹⁾ Calculated at **h** distance from the chuck's face (where normally the clamping takes place).

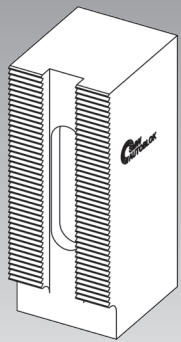
Clamping of easy deformed / thin walled workpieces

High precision 6 jaw chucks (2+2+2) equalising

Tongue & groove



Metric serration



SJL-C/-M 225-400

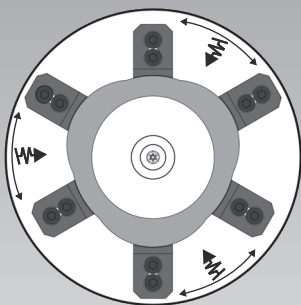
SJL-C 500-800

SJLS-C/-M 225-400

proofline® series
fully sealed – low maintenance

2+2+2 equalising

Is clamping with 6 jaws, where always 2 jaws are equalising as a pair. This allows to compensate inaccuracy of the workpiece roundness. The grip force is always distributed equally onto 6 jaws. The equal distribution of the grip forces results in a minimum of deformation.

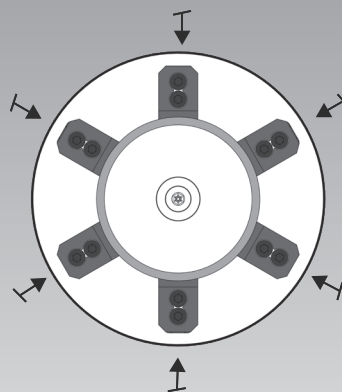


Application for:

Raw material clamping (1. Operation)

6 jaw self centering

Is clamping concentric with all 6 jaws, where no equalisation is done during clamping. All 6 jaws make the same radial movement towards the chucks center.



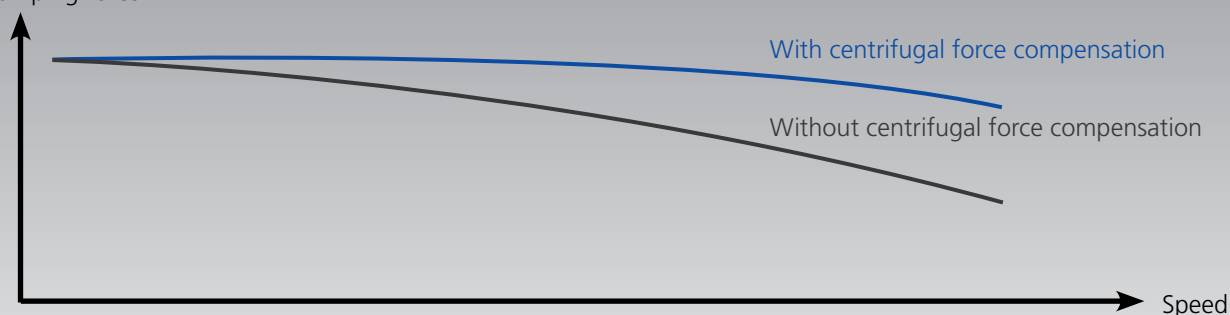
Application for:

Round, machined clamping diameters (2. Operation)

Centrifugal force compensation

The centrifugal forces of master- and top jaws are compensated by counter balance weights. The centrifugal forces of the jaws under rotation are mostly compensated.

Clamping force



Clamping glossary

2+2+2 Equalisation: A system which allows 2 jaws in a pair to do a different radial jaw stroke. On raw material clamping the system ensures that all 6 jaws are in contact with the workpiece. The gripping force is distributed onto all 6 jaws and reduces the deformation of the workpiece.

Locking system for 6 jaw self centering: SJL chucks have a locking system that allows to lock the 2+2+2 equalisation. In this setting the **SJL chuck** can be used like a standard 6 jaw chuck with 6 concentric jaws. This setting can be used to clamp thin walled workpieces that need an equal wall thickness.

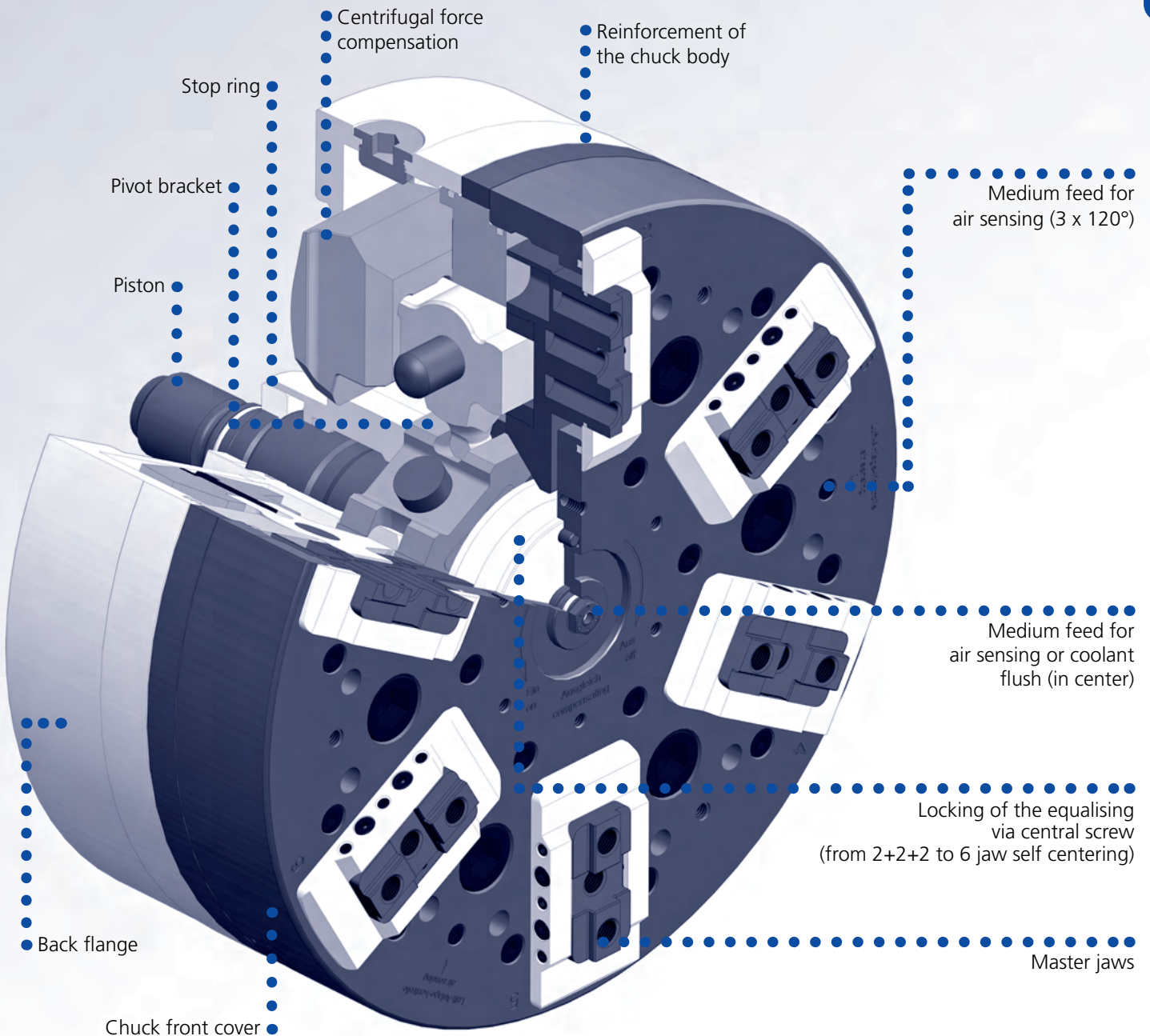
Air sensing: Air is fed through the contact face of the work stop. When the workpiece is in contact with the work stop, the airflow is stopped and converts into a signal. If the component is not correctly positioned or is lifted, the machine can not start or the spindle is stopped. The preparation of this important feature is standard on all **SJL type** chucks.

Centrifugal force compensation: When jaw chucks are rotating, the mass of the master jaws / top jaws is subject to centrifugal force. This centrifugal force reduces the dynamic grip force, and thus limits the feeds and speeds for machining.

All **SJL chuck** have a centrifugal force compensation system built in by default which reduces this effect and allows machining at higher speed with more aggressive feed rates.

Chuck body reinforcement: When the chucks are rotating, the chuck body has to prop up against the static gripping force and against the centrifugal force caused by the rotation speed. On 6 jaw chucks, the centrifugal force caused by the jaws is the double compared to 3 jaw chucks. In order to increase the stiffness of the chuck body, **SJL chucks** have a reinforcement on the chuck body.

High-low clamping: For easily deformed components. High gripping forces for the rough cut are reduced to low gripping forces for the finish cut without unchucking. This means less deformation on the finished components. Contrarily to conventional chucks, the **SJL lever** drive is suitable for high-low clamping.



SJL-C

Self centering
TONGUE & GROOVE

SJL-M

Self centering
METRIC SERRATION

High precision 6-jaw chuck (2+2+2) equalising Ø 225 - 400 mm

- Jaws equalising as a pair
- Equalising mechanism lockable



proofline® series
fully sealed - low maintenance

Application/customer benefit

- Clamping of easy deformed workpieces
- Low deformation by means of 2+2+2 jaw clamping
- High radial and axial clamping accuracy
- Fully sealed and oil bath lubricated
- Ideal for high speeds

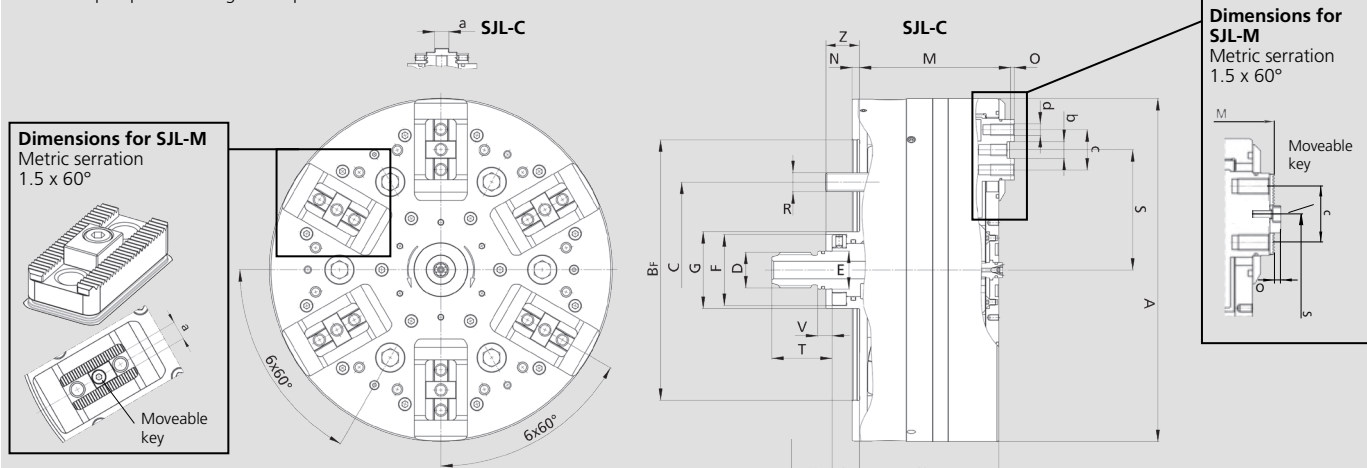
Technical data

- Adjustable to 6-jaw 2+2+2 or true 6-jaw clamping
- Channels for air and / or coolant (2 medium feed)
- Centrifugal force compensation
- **proofline® chucks** = fully sealed - low maintenance

Standard equipment

6-jaw chuck with mounting bolts and adjustment key
Oil

Chuck in open position = right end position



Subject to technical changes.
For more detailed information please ask our customer service.

SMW-AUTOBLOK Type			SJL-C-225	SJL-M-225	SJL-C-290	SJL-M-290	SJL-C-400	SJL-M-400
Mounting			Z170	Z170	Z220	Z220	Z300	Z300
	A	mm	225	225	290	290	400	400
	Bf H6	mm	170	170	220	220	300	300
	C	mm	133.4	133.4	171.4	171.4	235	235
	D	mm	M24	M24	M30	M30	M42x3	M42x3
	E f7	mm	25	25	32	32	44	44
	F	mm	47	47	60	60	82	82
	G	mm	51	51	65	65	90	90
	H	mm	93	93	118	118	163	163
Piston stroke	K	mm	11.5	11.5	15	15	20.8	20.8
Piston position min.	L	mm	18	18	23	23	30.9	30.9
Piston position max.	L	mm	29.5	29.5	38	38	51.7	51.7
	M	mm	101	103.5	128	131	177	181
	N	mm	5	5	6	6	8	8
	O	mm	2.5	3	3	3.5	4	3.5
	R	mm	M12 (6 x 60°)	M12 (6 x 60°)	M16 (6 x 60°)	M16 (6 x 60°)	M20 (6 x 60°)	M20 (6 x 60°)
Max.	S	mm	79	79	101.5	101.5	139	139
Min.	S	mm	73	73	93.5	93.5	128	128
	T	mm	40	40	51	51	70	70
	V	mm	10	10	12.2	12.2	17	17
Protecting sleeve length	Z	mm	22.1	22.1	28.1	28.1	38.2	38.2
Key width	a	mm	10	10	12	12	14	14
	b	mm	11	-	14	-	19	-
	c	mm	27 (2 x 13.5)	27 (2 x 13.5)	34 (2 x 17.0)	33 (2 x 16.5)	45 (2 x 22.5)	45 (2 x 22.5)
	d	mm	M8 (3x)	M8 (3x)	M10 (3x)	M10 (3x)	M12 (3x)	M12 (3x)

High precision 6-jaw chuck (2+2+2) equalising Ø 225 - 400 mm

- Jaws equalising as a pair
- Equalising mechanism lockable

SJL-C

Self centering
Tongue & groove

SJL-M

Self centering
Metric serration

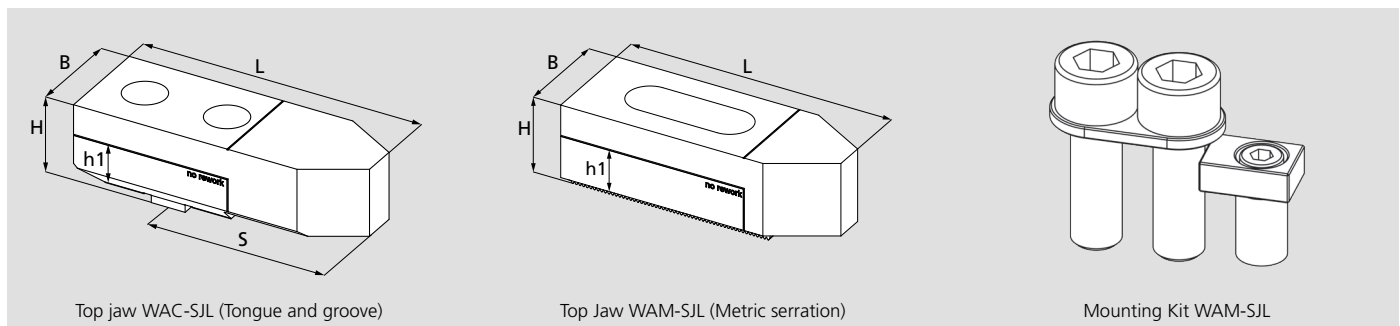
Technical data

SMW-AUTOBLOK Type		SJL-C-225	SJL-M-225	SJL-C-290	SJL-M-290	SJL-C-400	SJL-M-400
Stroke per jaw	mm	6	6	8	8	11	11
Equalising stroke at mid of jaw stroke	mm	±1	±1	±1	±1	±2.5	±2.5
Max. actuating force	kN	30	30	42	42	58	58
Max. gripping force	kN	45	45	65	65	90	90
Max. Speed	r.p.m.	4200	4200	3600	3600	2600	2600
Weight (without top jaws)	kg	26	26	51	51	136	136
Moment of inertia	kg·m ²	0.16	0.16	0.5	0.5	2.75	2.75

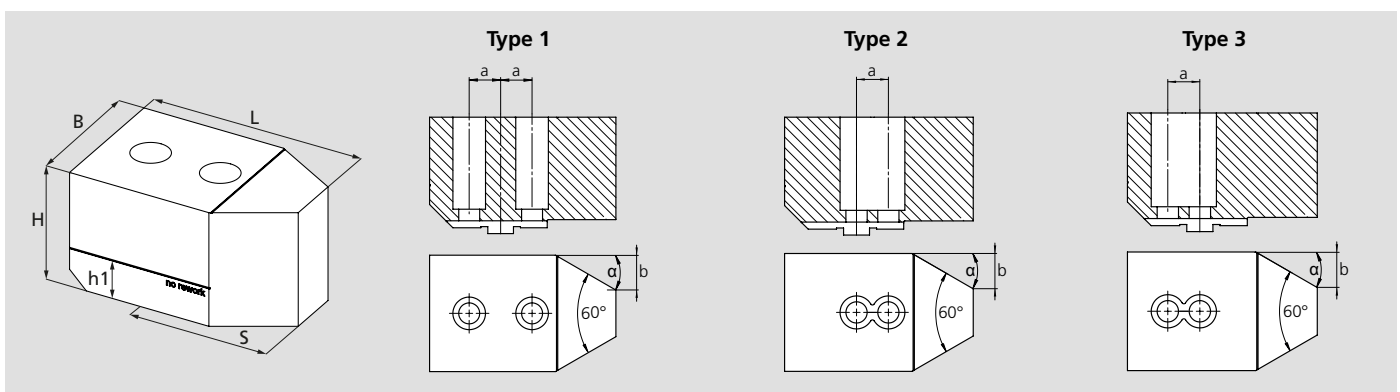
Order review

SMW-AUTOBLOK Type	SJL-C-225	SJL-M-225	SJL-C-290	SJL-M-290	SJL-C-400	SJL-M-400
Mounting	Z170	Z170	Z220	Z220	Z300	Z300
Id. No.	160870	160922	160670	160940	160970	161001
Hex. Pin type socket wrench	202881		201064		203795	
Oil (RENOLIN CLP 320 SUPER) 1 liter			202532			

Top jaws for SJL



SMW-AUTOBLOK Type	WAC-SJL-225	WAM-SJL-225	WAC-SJL-290	WAM-SJL-290	WAC-SJL-400	WAM-SJL-400
Id. No. / set	5300950	539053	5300955	539055	5301053	5301052
Mounting Kit (only WAM) / set	-	203572	-	203573	-	204115
Dimensions L x B x H	94 x 20 x 32	84 x 20 x 32	115 x 40 x 36	108 x 40 x 35	150 x 52 x 46	153 x 52 x 46
Height h1	16.5	20	21	22	25	26.5
Weight / set (kg)	2.2	1.8	5.4	4.9	12.5	12.5
S (mm)	63.5	-	80	-	105.5	-



SMW-AUTOBLOK Type	WAC-SJL-225			WAC-SJL-290			WAC-SJL-400		
Jaw type	Type 1	Type 2	Type 3	Type 1	Type 2	Type 3	Type 1	Type 2	Type 3
Id. No. / set	5316471	5316472	5316473	5316468	5316469	5316470	5316465	5316467	5316466
Thread	M8			M10			M12		
Dimensions L x B x H	80 x 50 x 50			100 x 60 x 65			140 x 80 x 65		
Height h1	18.5			21			25		
Weight / Set	7			13.5			25.2		
S	49.5			65			95.5		
a	13.5			17			22.5		
b x α	15 x 30°			20 x 30°			28 x 30°		

* No rework.

SJL-C

Self centering
TONGUE & GROOVE

High precision 6-jaw chuck (2+2+2) equalising Ø 500 - 800 mm

- Jaws equalising as a pair
- Equalising mechanism lockable



proofline® series
fully sealed – low maintenance

Application/customer benefit

- Clamping of easy deformed workpieces
- Low deformation by means of 2+2+2 jaw clamping
- High radial and axial clamping accuracy
- Fully sealed and oil bath lubricated
- Ideal for highest speeds

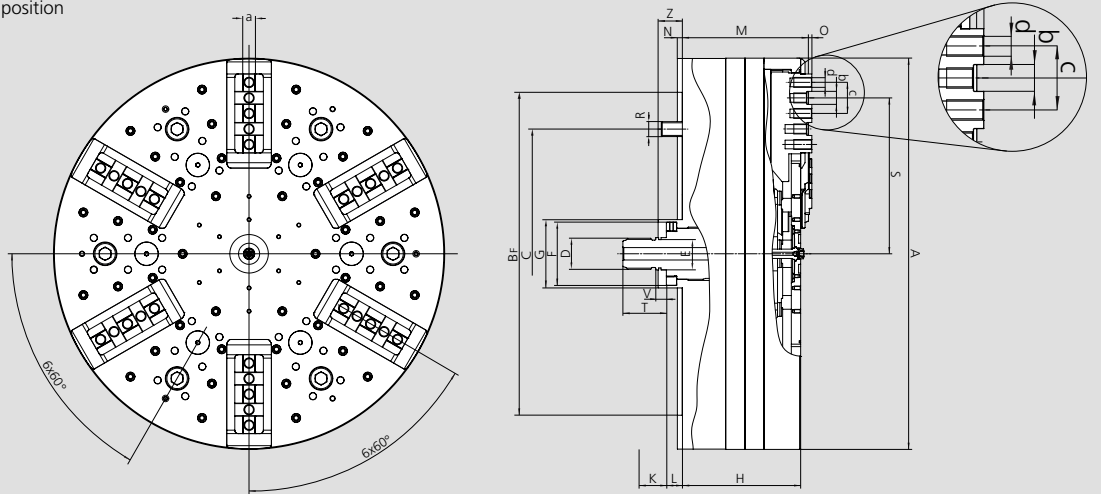
Technical data

- Adjustable to 6-jaw 2+2+2 or true 6-jaw clamping
- Channels for air and / or coolant (2 media feed)
- Centrifugal force compensation
- **proofline® chucks** = fully sealed - low maintenance

Standard equipment

6-jaw chuck with mounting bolts and adjustment key

Chuck in open position = right end position



Subject to technical changes.
For more detailed information please ask our customer service.

SMW-AUTOBLOK Type			SJL-C-500	SJL-C-500	SJL-C-630	SJL-C-630	SJL-C-800	SJL-C-800
Mounting			Z300	Z380	Z380	Z520	Z380	Z520
	A	mm	500	500	630	630	800	800
	BF H6	mm	300	380	380	520	380	520
	C	mm	235	330.2	330.2	463.6	330.2	463.6
	D	mm	M42 x 3	M42 x 3	M50 x 3	M50 x 3	M50 x 3	M50 x 3
	E f7	mm	44	44	52	52	52	52
	F	mm	82	82	102	102	102	102
	G	mm	90	90	110	110	110	110
	H	mm	163.3	163.3	190.5	190.5	190.5	190.5
Piston stroke	K	mm	20.8	20.8	28.4	28.4	28.4	28.4
Piston position min.	L	mm	30.9	30.9	25.8	25.8	25.8	25.8
Piston position max.	L	mm	51.7	51.7	54.2	54.2	54.2	54.2
	M	mm	177	177	204.5	204.5	204.5	204.5
	N	mm	8	8	8	8	8	8
	O	mm	4	4	4	4	4	4
	R	mm	6 x M20	6 x M24	6 x M24	6 x M24	6 x M24	6 x M24
Max. multi tongue & groove	S	mm	141.5 / 186.5	141.5 / 186.5	201 / 251	201 / 251	336 / 286 / 236	336 / 286 / 236
Min. multi tongue & groove	S	mm	130.5 / 175.5	130.5 / 175.5	186 / 236	186 / 236	321 / 271 / 221	321 / 271 / 221
	T	mm	70	70	70	70	70	70
	V	mm	17	17	17	17	17	17
Protecting sleeve length	Z	mm	38.2	38.2	39	39	39	39
Width of tongue	a	mm	14	14	19	19	19	19
Width of groove	b	mm	2 x 19	2 x 19	2 x 21	2 x 21	3 x 21	3 x 21
	c	mm	2 x 45	2 x 45	2 x 50	2 x 50	3 x 50	3 x 50
Thread	d	mm	5 x M12	5 x M12	5 x M16	5 x M16	7 x M16	7 x M16

High precision 6-jaw chuck (2+2+2) equalising Ø 500 - 800 mm

- Jaws equalising as a pair
- Equalising mechanism lockable

SJL-C

Self centering
TONGUE & GROOVE

Technical data

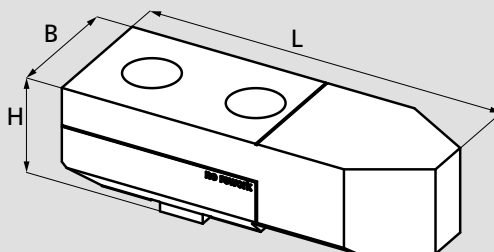
SMW-AUTOBLOK Type		SJL-C-500	SJL-C-630	SJL-C-800
Stroke per jaw	mm	11	15	15
Equalising stroke at mid of jaw stroke	mm	± 2.5	± 4	± 4
Max. actuating force	kN	78	97	97
Max. gripping force	kN	120	150	150
Max. Speed	r.p.m.	2000	1700	1100
Weight (without top jaws)	kg	220	422	675
Moment of inertia	kg.m ²	6.91	21.53	54.64

Order review

SMW-AUTOBLOK Type	SJL-C-500	SJL-C-500	SJL-C-630	SJL-C-630	SJL-C-800	SJL-C-800
Mounting	Z300	Z380	Z380	Z520	Z380	Z520
Id. No.	162765	162750	162820	162800	162911	162910
Hex. Pin type socket wrench	203795					
Oil (RENOLIN CLP 320 SUPER) 1 liter*	202532					

* Oil not included in the standard equipment. For the total quantity required, please refer to the operating instructions.

Top jaws for SJL



Top jaw WAC-SJL (Tongue and groove)

SMW-AUTOBLOK Type	SJL-C-500	SJL-C-630	SJL-C-800
Jaw type	WAC-SJL 500	WAC-SJL 630	WAC-SJL 630
Id. No. / set	5315987	5315988	5315988
Length L	150	200	200
Width B	52	60	60
Height H	46	50	50
kg / set	12.6 kg	21.6 kg	21.6 kg

SJLS-C

Self centering
TONGUE & GROOVE

SJLS-M

Self centering
METRIC SERRATION

High precision 6-jaw chuck (2+2+2) equalising Ø 225 - 400 mm

- Jaws equalising as a pair
- Equalising mechanism lockable



proofline® series
fully sealed - low maintenance

Application/customer benefit

- Clamping of easy deformed workpieces
- Low height = More z-clearance
- Low deformation by means of 2+2+2 jaw clamping
- High radial and axial clamping accuracy
- Fully sealed and oil bath lubricated
- Ideal for high speeds

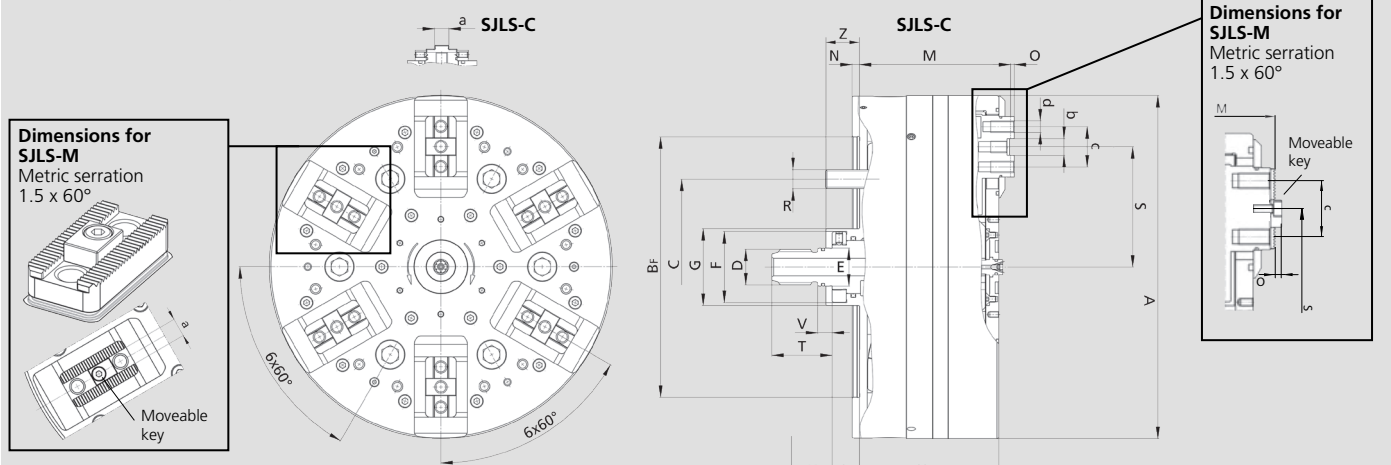
Technical data

- Adjustable to 6-jaw 2+2+2 or true 6-jaw clamping
- Channels for air and / or coolant (2 media feed)
- **proofline® chucks** = fully sealed - low maintenance

Standard equipment

6-jaw chuck with mounting bolts and adjustment key
Oil

Chuck in open position = right end position



Subject to technical changes.
For more detailed information please ask our customer service.

SMW-AUTOBLOK Type			SJLS-C-225	SJLS-M-225	SJLS-C-290	SJLS-M-290	SJLS-C-400	SJLS-M-400
Mounting			Z170	Z170	Z220	Z220	Z300	Z300
	A	mm	225	225	290	290	400	400
	BF H6	mm	170	170	220	220	300	300
	C	mm	133.4	133.4	171.4	171.4	235	235
	D	mm	M24	M24	M30	M30	M42 x 3	M42 x 3
	E f7	mm	25	25	32	32	44	44
	F	mm	47	47	60	60	82	82
	G	mm	51	51	65	65	90	90
	H	mm	68	68	88	88	119	119
Piston stroke	K	mm	11.5	11.5	15	15	20.8	20.8
Piston position min.	L	mm	43.25	43.25	53	53	74.9	74.9
Piston position max.	L	mm	54.75	54.75	68	68	95.7	95.7
	M	mm	76	78.5	98	101	133	137
	N	mm	5	5	6	6	8	8
	O	mm	2.5	3	3	3.5	4	3.5
	R	mm	M12 (6 x 60°)	M12 (6 x 60°)	M16 (6 x 60°)	M16 (6 x 60°)	M20 (6 x 60°)	M20 (6 x 60°)
Max.	S	mm	79	79	101.5	101.5	139	139
Min.	S	mm	73	73	93.5	93.5	128	128
	T	mm	40	40	51	51	70	70
	V	mm	10	10	12.2	12.2	17	17
Protecting sleeve length	Z	mm	47.1	47.1	58.1	58.1	82.1	82.1
Width (C = tongue / M = notch)	a	mm	10	10	12	12	14	14
Groove width	b	mm	11	-	14	-	19	-
	c	mm	27 (2 x 13.5)	27 (2 x 13.5)	34 (2 x 17.0)	33 (2 x 16.5)	45 (2 x 22.5)	45 (2 x 22.5)
	d	mm	M8 (3x)	M8 (3x)	M10 (3x)	M10 (3x)	M12 (3x)	M12 (3x)

High precision 6-jaw chuck (2+2+2) equalising Ø 225 - 400 mm

- Jaws equalising as a pair
- Equalising mechanism lockable

SJLS-C

Self centering
TONGUE & GROOVE

SJLS-M

Self centering
METRIC SERRATION

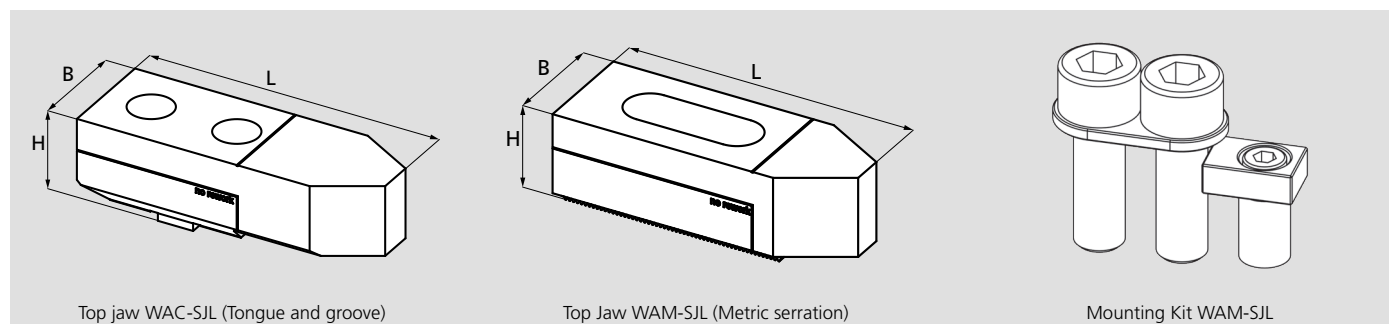
Technical data

SMW-AUTOBLOK Type		SJLS-C-225	SJLS-M-225	SJLS-C-290	SJLS-M-290	SJLS-C-400	SJLS-M-400
Stroke per jaw	mm	6	6	8	8	11	11
Equalising stroke at mid of jaw stroke	mm	±1	±1	±1	±1	±2.5	±2.5
Max. actuating force	kN	30	30	42	42	58	58
Max. gripping force	kN	45	45	65	65	90	90
Max. Speed	r.p.m.	3700	3700	2800	2800	1800	1800
Weight (without top jaws)	kg	20	20	44	44	115	115
Moment of inertia	kg . m ²	0.13	0.13	0.46	0.46	2.33	2.33

Order review

SMW-AUTOBLOK Type	SJLS-C-225	SJLS-M-225	SJLS-C-290	SJLS-M-290	SJLS-C-400	SJLS-M-400
Mounting	Z170	Z170	Z220	Z220	Z300	Z300
Id. No.	162675	162895	162680	162896	162685	162897
Hex. Pin type socket wrench	202881		201064		203795	
Oil (RENOLIN CLPF 320 SUPER) 1 liter	202532					

Top jaws for SJLS



SMW-AUTOBLOK Type	SJLS-C-225	SJLS-M-225	SJLS-C-290	SJLS-M-290	SJLS-C-400	SJLS-M-400
Jaw type	WAC-SJL 225	WAM-SJL 225	WAC-SJL 290	WAM-SJL 290	WAC-SJL 400	WAM-SJL 400
Id. No. / set	5300950	539053	5300955	539055	5301053	5301052
Mounting Kit (only WAM) / set		203572		203573		204115
Length L	94	84	115	108	150	153
Width B	20	20	40	40	52	52
Height H	32	32	36	35	46	46
kg / set	2.2 kg	1.8 kg	5.4 kg	4.9 kg	12.5 kg	12.5 kg

IEP-D

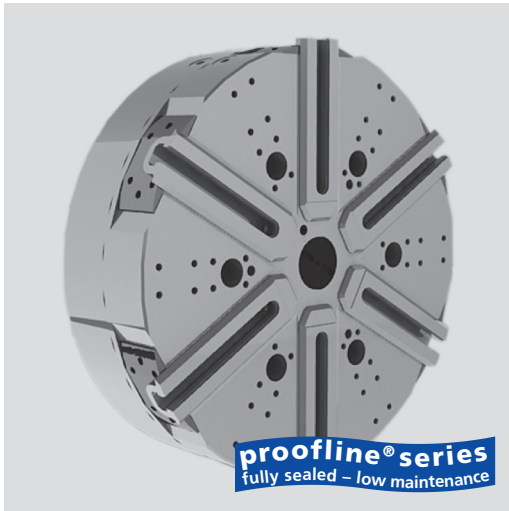
2+2+2 movement
INCH SERRATION

IEP-C

2+2+2 movement
TONGUE & GROOVE

High precision 6-jaw chuck 2+2+2 equalising Ø 400 - 800 mm

- Closed center
- Equalising mechanism lockable
- Centrifugal force compensation



Application/customer benefits

- Clamping of thin walled workpieces
- Low radial deformation with 2+2+2 clamping
- Suitable for horizontal and vertical machines

IEP-D: Master jaws with INCH SERRATION
(3/32" x 90° sizes 500-630-800, 1/16" x 90° size 400)

IEP-C: Master jaws with TONGUE & GROOVE

Technical features

- Adjustable to 6 jaw 2+2+2 or true 6 jaw clamping
- Possibility to regulate the equalising stroke from full (for OP10) to very small (for OP20)
- Constant gripping force with permanent lubrication
- Centrifugal force compensation for high spindle speed
- **proofline® chucks** = fully sealed - low maintenance

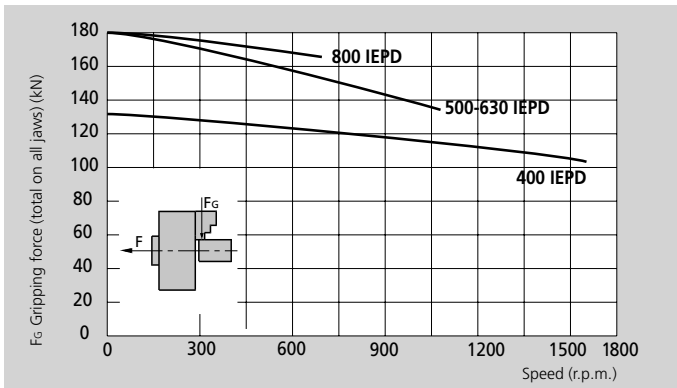
Standard equipment

- Chuck with mounting bolts
- 1 set of soft top jaws
- 1 equalising stroke regulating key

Ordering example

Chuck IEP-D 500 / Z380

Actual gripping force diagram



The data in the diagram refers to 6-jaw chucks, newly maintained according to their service manuals using the original lubricant. The static and dynamic gripping forces have been measured using standard soft top jaws, placed in a position not exceeding the outer diameter of the chuck.

⚠ Safety advice / danger of damage:

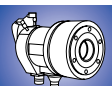
When using taller / heavier jaws and / or clamping on a bigger diameter reduce draw pull/rotating speed accordingly.

Technical data

SMW-AUTOBLOK Type		IEP-D 400	IEP-C 400	IEP-D 500	IEP-C 500	IEP-D 630	IEP-C 630	IEP-D 800	IEP-C 800
Number of jaws		2+2+2		2+2+2		2+2+2		2+2+2	
Radial jaw stroke	mm	10		15		15		15	
Jaw compensation	mm	±2.5		±4		±4		±4	
Axial piston stroke	mm	20		30		30		30	
Max. draw pull**	kN	90		120		120		120	
Max. gripping force**	kN	130		180		180		180	
Max. speed	r.p.m.	1600		1100		800		650	
Weight (without top jaws)	kg	145		260		410		670	
Moment of inertia	kg·m ²	2.9		8.5		20		55	
Hard top jaw (set of 3*) for IEP-D	Id. No.	12083036		12084546		12084546		12084546	
Soft top jaw (piece) for IEP-D	Id. No.	12073000		12074040		12075050		12075050	
Soft top jaw (piece) for IEP-C	Id. No.	12043060		12044050		12045050		12045050	
Recommended actuating cylinders	Type	SIN-S 100 / 125 / 150		SIN-S 150 / 175 / 200		SIN-S 150 / 175 / 200		SIN-S 150 / 175 / 200	

* 2 sets (= 6 pieces) per chuck are required.

** For internal clamping reduce the draw pull by 30%.



SMW-AUTOBLOK
321

High precision 6-jaw chuck 2+2+2 equalising

Ø 400 - 800 mm

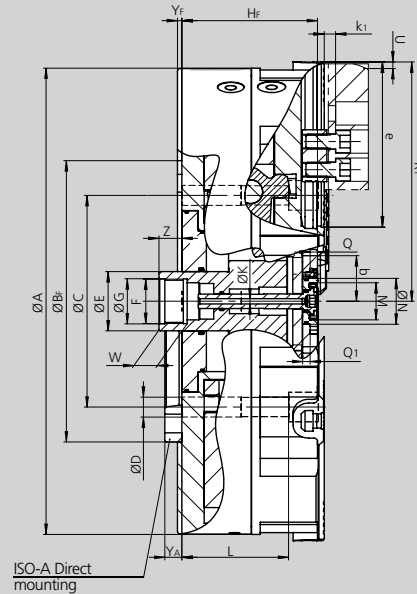
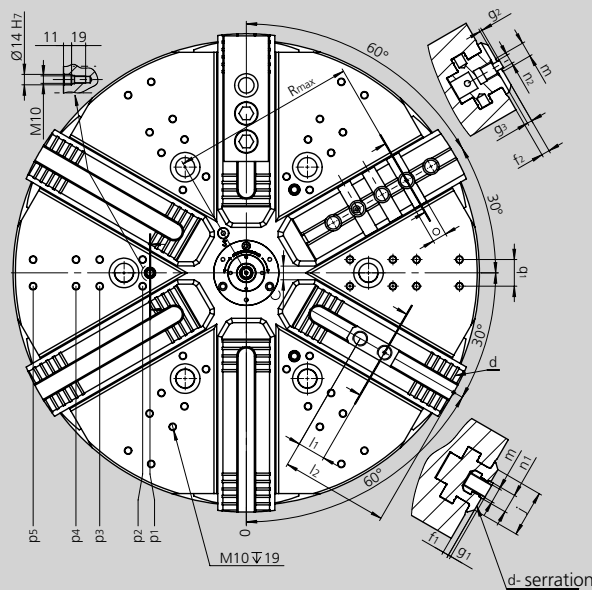
- Closed center
- Equalising mechanism lockable
- Centrifugal force compensation

IEP-D

2+2+2 movement
INCH SERRATION

IEP-C

2+2+2 movement
TONGUE & GROOVE



Subject to technical changes.
For more detailed information please ask our customer service.

SMW-AUTOBLOK Type		IEP-D 400	IEP-C 400	IEP-D 500	IEP-C 500	IEP-D 630	IEP-C 630	IEP-D 800	IEP-C 800	
	A	mm	419	419	510	510	630	630	800	800
	BF H6	mm	300	300	380	380	380	380	520	520
	C	mm	235	235	330.2	330.2	330.2	330.2	463.6	463.6
	D	mm	21	21	25.5	25.5	25.5	25.5	25.5	25.5
	E	mm	75	75	80	80	80	80	80	80
	F	mm	M60 x 1.5	M60 x 1.5	M60 x 1.5	M60 x 1.5	M60 x 1.5	M60 x 1.5	M60 x 1.5	M60 x 1.5
	G H8	mm	61	61	61	61	61	61	61	61
	HF	mm	154	154	184	184	184	184	184	184
Through-hole	K	mm	7	7	7	7	7	7	7	7
	L	mm	130	130	144	144	144	144	144	144
	M	mm	M50 x 1.5	M50 x 1.5	M50 x 1.5	M50 x 1.5	M50 x 1.5	M50 x 1.5	M50 x 1.5	M50 x 1.5
	N H8	mm	62	62	62	62	62	62	62	62
	Q	mm	10	10	10	10	10	10	10	10
	Q1	mm	10	10	10	10	10	10	10	10
Chuck open	R1	mm	212	212	263.5	263.5	323.5	323.5	408.5	408.5
Jaw stroke	U	mm	10	10	15	15	15	15	15	15
	W	mm	38	38	38	38	38	38	38	38
Max / min.	Z	mm	16 / -4	16 / -4	61 / 31	61 / 31	61 / 31	61 / 31	61 / 31	61 / 31
Min.	b	mm	45	45	46.5	46.5	46.5	46.5	46.5	46.5
Min.	c	mm	2.9	2.9	3.5	3.5	3.5	3.5	3.5	3.5
	d	inch	1/16" x 90°	-	3/32" x 90°	-	3/32" x 90°	-	3/32" x 90°	-
	e	mm	150	150	174	174	234	234	319	319
	f1	mm	8	-	8	-	8	-	8	-
	f2	mm	-	8	-	11	-	11	-	11
	g1	mm	3.5	-	3.5	-	3.5	-	3.5	-
	g2	mm	-	3	-	3	-	3	-	3
	g3	mm	-	3.5	-	6.5	-	6.5	-	6.5
	j	mm	58	58	63	63	63	63	63	63
	k1	mm	9	9	15.5	15.5	15.5	15.5	15.5	15.5
	l1	mm	30	38.1	38	38.1	38	38.1	38	38.1
Max. / min.	l2	mm	108 / 43	-	138 / 54	-	198 / 54	-	283 / 54	-
	m	mm	M16	M16	M20	M20	M20	M20	M20	M20
	n1 h8	mm	21	-	25.5	-	25.5	-	25.5	-
	n2	mm	-	12.7	-	12.7	-	12.7	-	12.7
	o	mm	-	19.03	-	19.03	-	19.03	-	19.03
Radial position	p1	mm	150	150	130	130	130	130	130	130
Radial position	p2	mm	140	140	140	140	140	140	165	165
Radial position	p3	mm	195	195	-	-	198	198	200	200
Radial position	p4	mm	-	-	230	230	230	230	255	255
Radial position	p5	mm	-	-	-	-	288	288	290	290
	q1	mm	36	36	36	36	36	36	36	36
	Rmax	mm	-	139	-	198	-	250	-	351
	YF/YA	mm	6 23	6 23	6 23	6 23	6 23	6 23	6 23	6 23
Number of cross grooves (IEP-C)			-	1	-	2	-	3	-	6

IEP-D

2+2+2 movement
MODULE 2 SERRATION

High precision 6-jaw chuck 2+2+2 equalising Ø 1000 - 1600 mm

- Closed center
- Equalising mechanism lockable
- Centrifugal force compensation



Application/customer benefits

- Clamping of thin walled workpieces
- Low radial deformation with 2+2+2 clamping
- Suitable for horizontal and vertical machines

Technical features

- Adjustable to 6 jaw 2+2+2 or true 6 jaw clamping
- Possibility to regulate the equalising stroke from full (for OP10) to very small (for OP20)
- Constant gripping force with permanent lubrication
- Master jaws with MODULE 2 SERRATION (pitch 6.28 mm)
- Centrifugal force compensation for high spindle speed
- **proofline® chucks** = fully sealed - low maintenance

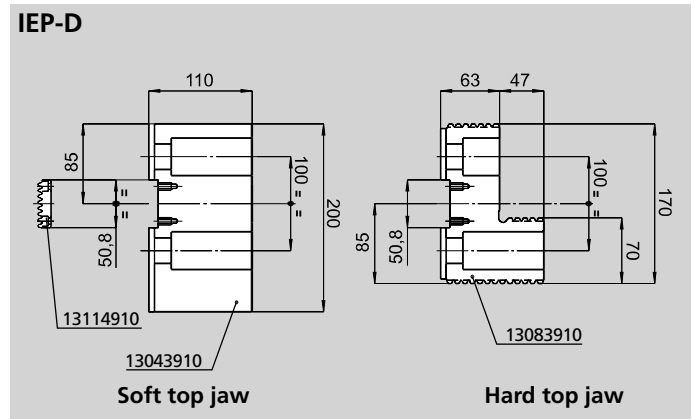
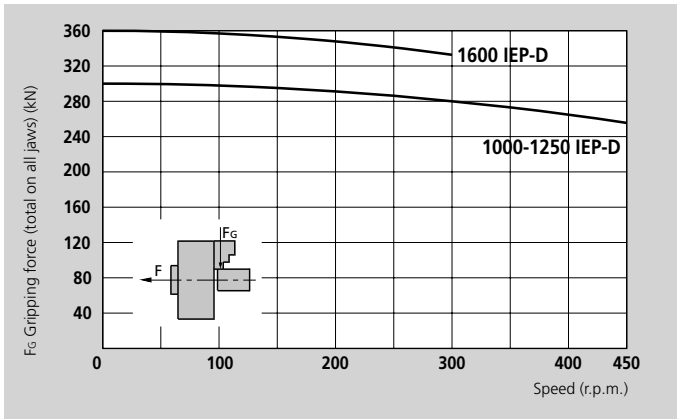
Standard equipment

- Chuck with mounting bolts
- 1 set of soft top jaws
- 1 equalising stroke regulating key

Ordering example

Chuck IEP-D 1250 / Z520

Actual gripping force diagram



The data in the diagram refers to 6-jaw chucks, newly maintained according to their service manuals using SMW-AUTOBLOK K67 grease. The static and dynamic gripping forces have been measured using standard soft top jaws, placed in a position not exceeding the outer diameter of the chuck.

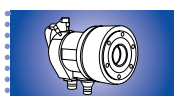
△ Safety advice / danger of damage:

When using taller / heavier jaws and / or clamping on a bigger diameter reduce draw pull / rotating speed accordingly.

Technical data

SMW-AUTOBLOK Type		IEP-D 1000 2+2+2	IEP-D 1250 2+2+2	IEP-D 1600 2+2+2
Number of jaws				
Radial jaw stroke	mm	20	20	25
Jaw compensation	mm	±5	±5	±5
Axial piston stroke	mm	40	40	50
Max. draw pull*	kN	200	200	240
Max. gripping force*	kN	300	300	360
Max. speed	r.p.m.	450	400	280
Weight (without top jaws)	kg	1100	1550	2400
Moment of inertia	kg·m ²	127	273	640
Hard top jaw (piece)	Id. No.	13083910	13083910	13083910
Soft top jaw (piece)	Id. No.	13043910	13043910	13043910
Recommended actuating cylinders	Type	SIN-S 200-250	SIN-S 200-250	SIN-S 200-250

* For internal clamping reduce the draw pull by 30%.



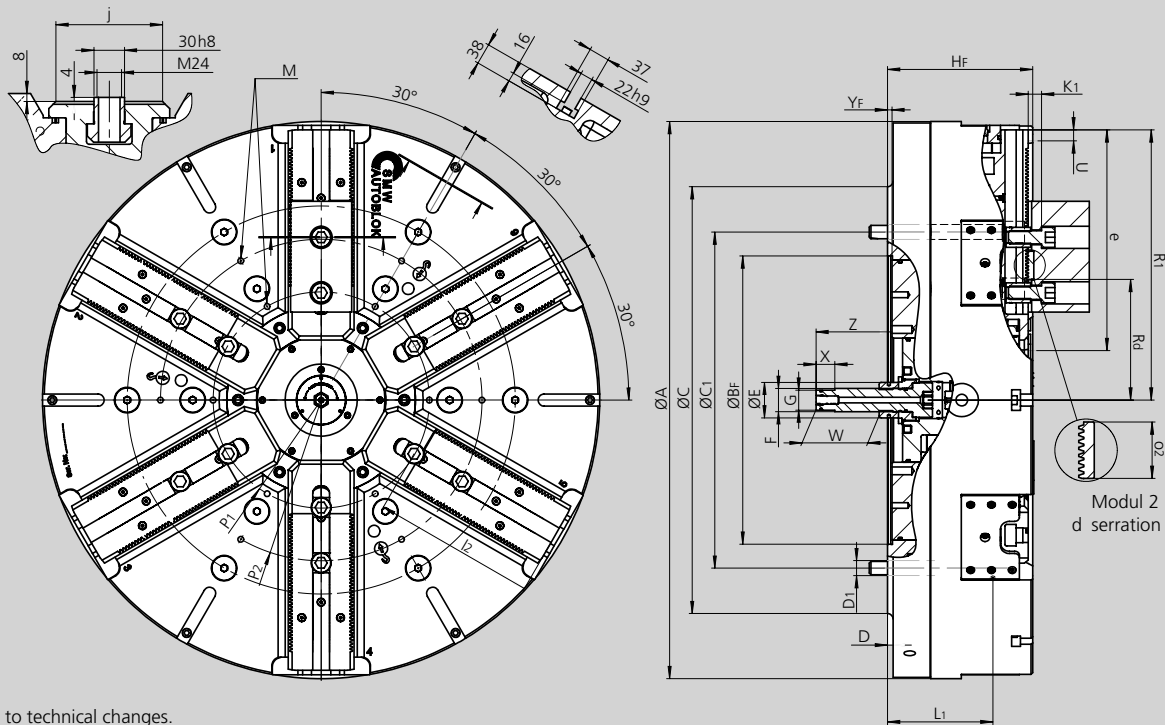
SMW-AUTOBLOK
321

High precision 6-jaw chuck 2+2+2 equalising Ø 1000 - 1600 mm

- Closed center
- Equalising mechanism lockable
- Centrifugal force compensation

IEP-D

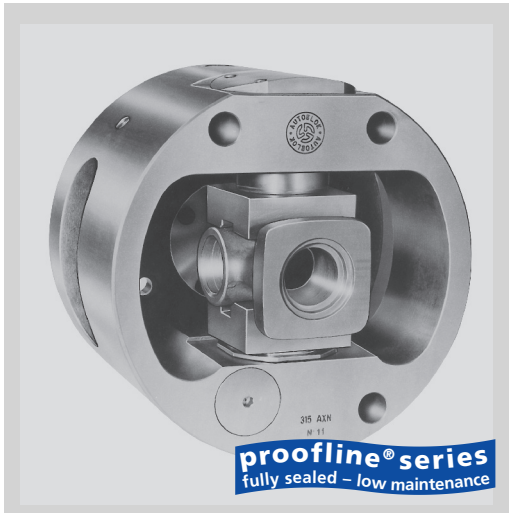
2+2+2 movement
MODULE 2 SERRATION



Subject to technical changes.
For more detailed information please ask our customer service.

SMW-AUTOBLOK Type			IEP-D 1000		IEP-D 1250		IEP-D 1600	
	A	mm	1005		1250		1600	
	Bf H6	mm	520		520		720	
	C	mm	700		900		1225	
	C1	mm	700		700		1110	
	D	mm	10		10		58	
	D1	mm	27		27		27	
	E	mm	64		64		64	
	F	mm	M42 x 3		M42 x 3		M42 x 3	
	G H8	mm	36		36		36	
	Hf	mm	254		254		272	
	M	mm	M12 x 22		M12 x 22		M16 x 28	
	L1	mm	207		207		225	
Chuck open	R1	mm	498		620.5		811	
Chuck open	Rd	mm	228		228		288.5	
Jaw stroke	U	mm	20		20		25	
	W	mm	114		114		114	
	X	mm	34		34		34	
	Yf	mm	8		8		8	
Max. / min.	Z	mm	156	116	156	116	156	106
Serration	d	M	Module 2		Module 2		Module 2	
	e	mm	345		465		595	
	j	mm	105		105		131	
	k1	mm	24		24		24	
Max. / min.	l2	mm	295	118	417	118	531	118
	o2	mm	50.8		50.8		50.8	
	P1	mm	390		390		760	
	P2	mm	580		580		1000	

- Hydraulic clamping and indexing
- 2 jaws
- Divisions: 4 x 90° / 8 x 45° / 3 x 120° / 6 x 60° or specials



Application/customer benefits

- Fully automated and high productivity machining of components with orthogonal axis or with 45°, 60° or 120° axis
- High productivity for machining of workpieces like valve bodies, spiders or fittings (see picture below) at high position accuracy

AXN: Automatic indexing chuck with hydraulic clamping and indexing

Technical features

- Rigid holding of the workpiece at high revolutions allowing high chip removal rates
- High positioning and repeatability precision
- Reliable indexing system with constant oil lubricated internal mechanism
- Constant and automatic in-process controls for extremely safe machining
- **proofline® chucks** = fully sealed - low maintenance

Components supplied on request

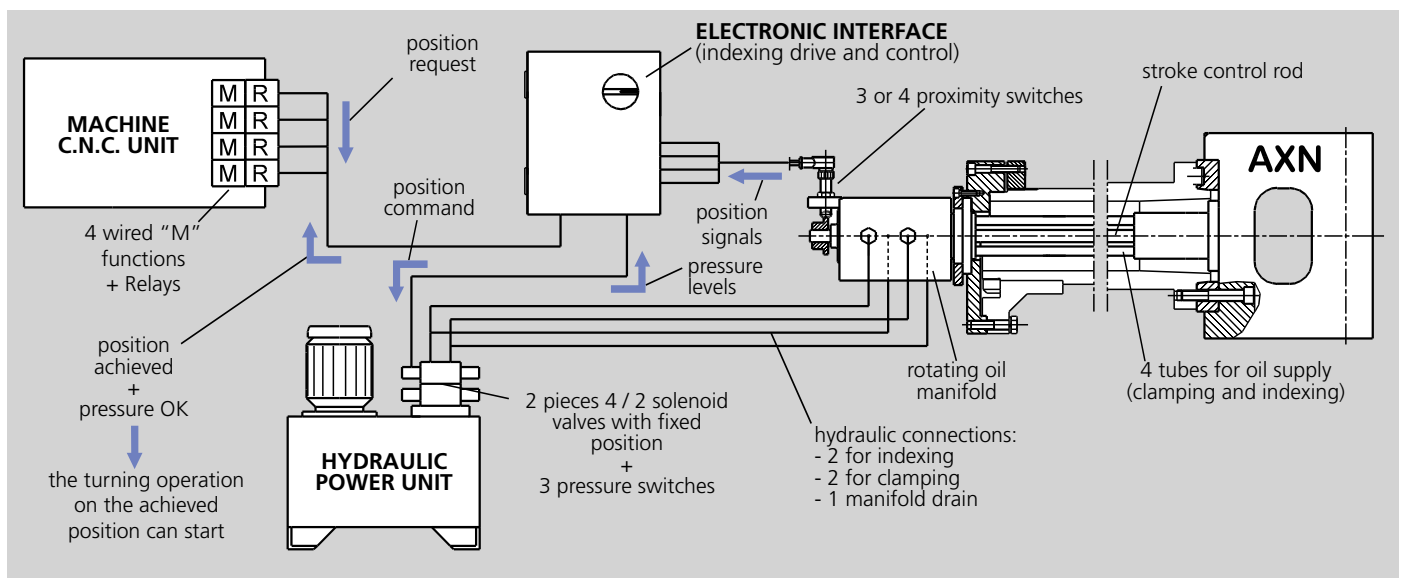
Adapter parts and clamping jaws

Unique features

- Hardened and ground body and internal parts designed to avoid deformation, ensuring rigidity and accuracy.
- Easy installation to the machine.
- Indexing movement during spindle rotation, allowing a quick change between the multiple working axes.
- Indexing and clamping mechanism constantly oil lubricated and supported by strong systems of roller bearings.
- Very high maximum speed, with centrifugal force compensation system, for higher productivity performance.
- Very simple hydraulic system based on just 4 hoses, 2 for the indexing mechanism and 2 for the clamping piston.
- Internal mechanisms fully protected against contamination by coolant, chips and dust.
- Constant and automatic control of the position of the part and other working parameters by the C.N.C. of the machine, or by a separate electronic interface.



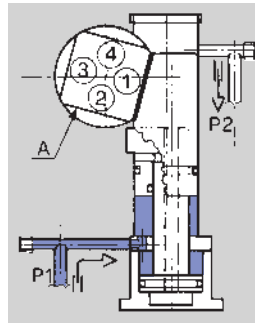
General operating diagram



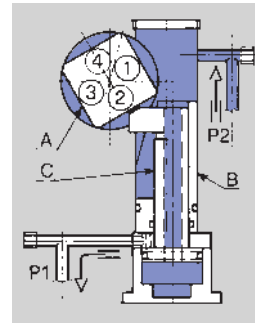
- Hydraulic clamping and indexing
- 2 jaws
- Divisions: 4 x 90° / 8 x 45° / 3 x 120° / 6 x 60° or specials

Unique indexing system

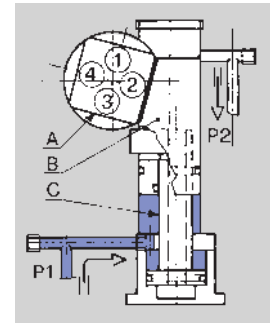
- Extremely simple and rigid indexing system.
- On the indexing shaft there is a triangle, square or multiple face shape. The indexing shaft „A“ is rotated by the piston „C“ and is locked in position by the piston „B“.
- For clamping and indexing 4 hydraulic lines are needed.



Picture 1
Pressure in P1
Indexing shaft A locked in position 1 by the locator B: turning operation on the first side of the component.



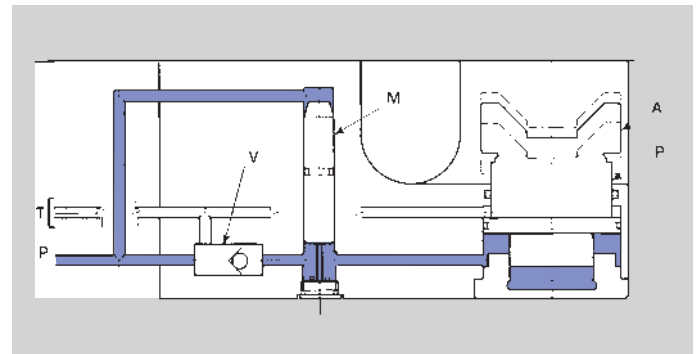
Picture 2
Pressure in P2 (indexing)
The locator B retracts and releases the indexing shaft A; the finger C moves forward and rotates the shaft by 45°.



Picture 3
Pressure in P1
The finger C retracts, while the locator B moves forward rotating the shaft A to 90° and locking it in position 2 for machining of the workpiece.

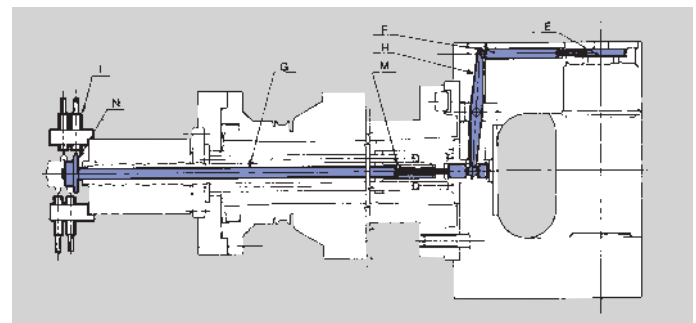
Centrifugal force compensation system

- Unique hydraulic system designed to reduce the loss of gripping force caused by the centrifugal force on the clamping piston P and clamping jaw A.
- The counterweight M is in a radial hole in the chuck body connected to the hydraulic circuit through the non-return valve V.
- During rotation, the pressure created by the counterweight M increases the pressure on the clamping piston P and compensates for the loss of gripping force due to the centrifugal force.



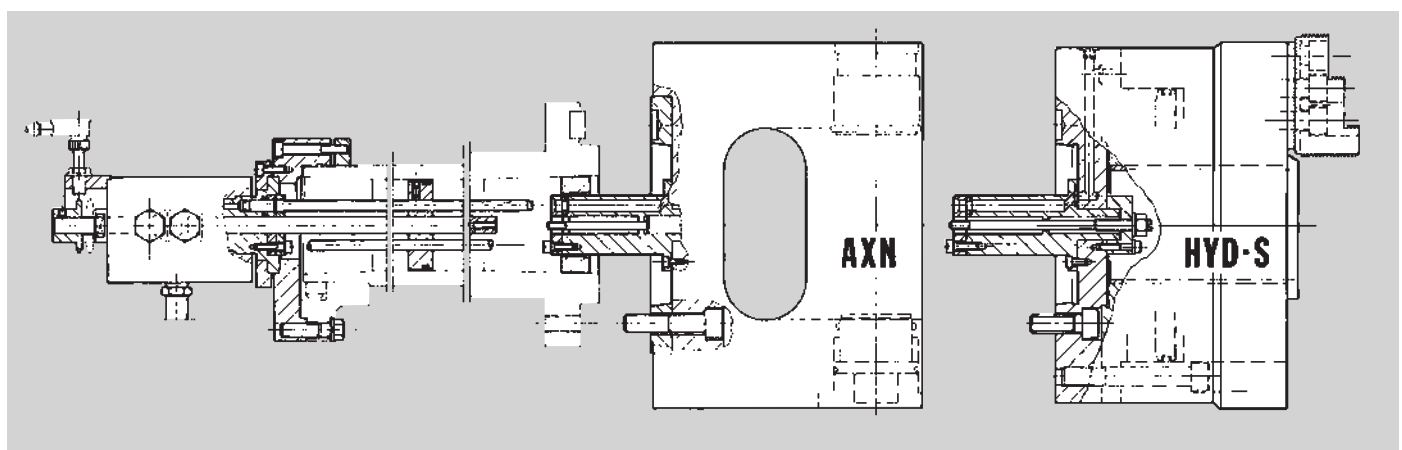
Indexing position control system

- The indexing control is mounted on the oil manifold. It is actuated by a rod system and monitored by 4 proximity switches.
- The cam „E“ on the indexing jaw moves the rear switch ring „N“ via the rod „F“, lever „H“, rod „G“ and pullback spring „M“.
- The corresponding proximity switch „I“ for each indexing position is actuated by the switch ring „N“ and confirms, that the indexing position has been reached.



Interchangeability between AXN indexing chuck and front end power chuck HYD-S

The AXN chuck can easily and quickly be changed with a front end power chuck with 3 or 4 jaws type HYD-S. The oil manifold and the tube bundle remain mounted on the machine to actuate the chuck.



Which is the right indexing chuck diameter for my parts?

- The complete line of AXN indexing chucks has been designed to clamp and index almost all kind of multi axis parts that are possible to find on the market.
- The important dimensions to check in the following drawing and table are:
 - **G diameter > the biggest diagonal of the component**
 - **T dimension - indexing jaw room (jaw mounted on the indexing shaft) > 1/2 of the height of the component.**
- Another way to check if the part can be indexed on a specific chuck, is to make a simple drawing showing the part clamped in center by the clamping jaws and its 360° rotation around the indexing axis inside of the internal pocket of the chuck.

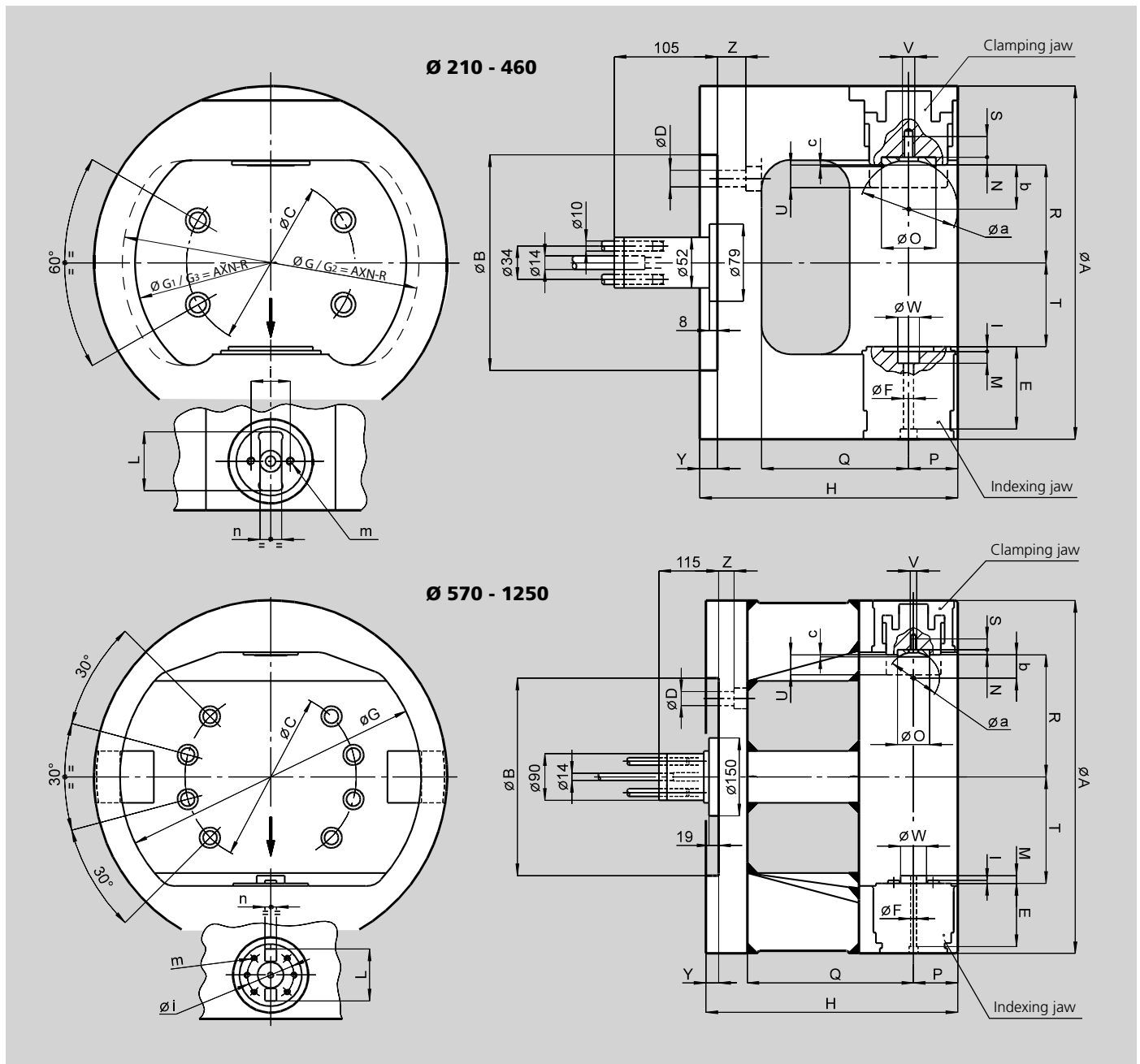
- Besides the workpiece dimensions also parameters as the clamping force, the stroke of the clamping piston, the overhang of the component from the chuck face sufficient tool clearance and the working cycle, are relevant.

Attention: The requested AXN chuck size is not only determined by the size and weight of the component, but also by the production process. Therefore the determination of the AXN-chuck size must be done in accordance with SMW-AUTOBLOK.

The experienced SMW-AUTOBLOK technicians can help you in all steps of this decision process: don't hesitate to contact them!

Highest accuracy is achieved if finishing operation is done at same spindle speed (constant r.p.m.).

Dimensions



ISO-A flanges for AXN chucks

Chuck size	Spindle	Type	Id. No.	A	BF	BA	C	C1	T
210-235	A5	2	24552030	-	170	82.563	104.8	133.4	24
210-235	A6	1	24162500	-	170	106.375	133.4	-	24
254-280-315-360	A6	2	24562530	-	220	106.375	133.4	171.4	24
205-235	A8	3	24182030	210	170	139.719	171.4	133.4	40
254-280-315-360	A8	1	24182500	-	220	139.719	171.4	-	19
400-460	A8	2	24183100	-	300	139.719	171.4	235	30
254-280-315-360	A11	3	24112530	280	220	196.869	235	171.2	50
400-460	A11	1	24113100	-	300	196.869	235	-	21
570-680	A11	2	24115000	-	380	196.869	235	330.2	40
570-680	A15	1	24127100	-	380	285.775	330.2	-	33
850-1250	A15	2	24126100	-	520	285.775	330.2	463.6	40
850-1250	A20	1	24178000	-	520	412.775	463.6	-	25

Main dimensions and technical data

SMW-AUTOBLOK Type AXN		210	235	254	280	315	360	400	460	570	680	850	1050	1250
A	mm	210	235	254	280	315	360	400	460	570	680	850	1050	1250
B	mm	170	170	220	220	220	220	300	300	380	380	520	520	520
C	mm	133.4	133.4	171.4	171.4	171.4	171.4	235	235	330.2	330.2	463.6	463.6	463.6
D	mm	13	13	17	17	17	17	21	21	27	27	27	27	27
E	mm	70	70	73	73	84	84	99	99	122	122	142	160	212
F	mm	5.5	5.5	8.5	8.5	10.5	10.5	10.5	10.5	11	11	11	17	21
Max. workpiece rotation dia.	G	mm	184	206	228	250	275	315	350	410	490	600	750	900
Max. axial loading window	G1	mm	175	197	216	240	261	301	333	394	466	576	730	880
Max. workpiece rotation dia.	G2	mm	160	180	195	210	245	-	-	-	-	-	-	-
Max. axial loading window	G3	mm	150	170	183	198	230	-	-	-	-	-	-	-
H	mm	187	194	214	227	252	266	293	323	442	492	570	680	795
I	mm	4	4	5	5	5	5	5	5	6	6	6	10	10
L	mm	42	42	45	45	60	60	70	70	100	100	100	154	168
M	mm	9	9	11	11	12	12	12	12	15	15	15	18	18
N	mm	3	3	6	6	7	7	10	10	10	10	10	10	10
O	mm	22	22	36	36	48	48	62	62	62	62	62	70	70
P	mm	36	36	42	42	53	53	60	60	92	92	95	130	145
Q	mm	95	102	112	125	136	150	170	200	270	320	385	460	560
Max.	R	mm	41.9	54.5	57	70	77	99.5	110	140	180	235	305	360
S	mm	12	12	14	14	18	18	18	18	19	19	19	22	22
T	mm	30	42.5	45	58	63	85.5	91	121	150	205	270	310	340
Clamping jaw stroke	U	mm	15	15	17	17	23	23	30	40	40	55	65	86
V	mm	M6	M6	M8	M8	M10	M10	M10	M10	M10	M10	M10	M12	M12
W H6	mm	12	12	18	18	22	22	22	22	50	50	50	55	65
Y	mm	16	16	16	16	18	18	18	18	25	25	25	25	25
Z	mm	28	28	32	32	29	29	24	24	50	50	60	70	60
a	mm	40	40	60	60	100	100	100	100	100	100	100	110	110
b	mm	17.5	17.5	26	26	45	45	42	42	42	42	42	47	47
c	mm	0.5	0.5	0.5	0.5	0.5	0.5	1	1	1	1	1	3	3
i	mm	28	28	35	35	40	40	40	40	90	90	90	130	148
m	mm	M5	M5	M6	M6	M8	M8	M8	M8	M10	M10	M10	10 x M12	10 x M12
n H6	mm	12	12	18	18	22	22	22	22	22	22	22	22	22
Clamping piston area	cm ²	30	30	43	43	63.6	63.6	86.6	86.6	113	113	132	227	530
Max pressure	bar	45	45	45	45	45	45	45	45	45	45	45	45	45
Max. speed ⁽¹⁾	r.p.m.	4400	3800	3600	3400	2800	2400	2200	1800	1200	1000	700	500	400
Moment of inertia	kg·m ²	0.17	0.27	0.45	0.69	1.27	2.15	3.4	6.4	20	39	106	290	530
Clamping top jaw weight ⁽¹⁾	kg	0.6	0.6	1.3	1.3	2	2	4	5	6	7	9	15	50
Weight	kg	28	32	47	57	82	104	137	182	370	520	890	1600	2200

⁽¹⁾ IMPORTANT:

- Max rotation speed can be reached only at max. operating pressure and using a clamping jaw with a mass not exceeding the value shown in the above schedule.
- The component to be machined and the two clamping jaws must always be perfectly balanced around the axis of rotation. If this is not possible or the clamping jaw is heavier, the rotation speed must be correspondingly reduced.
- The component may be indexed during rotation; when working at high r.p.m., it is advisable to reduce speed by at least 50% during the indexing operation to avoid vibrations due to the unbalance of masses while the part is in an intermediate position.

Shaft chuck

Complete machining of

Constant lubrication /
filled with oil.

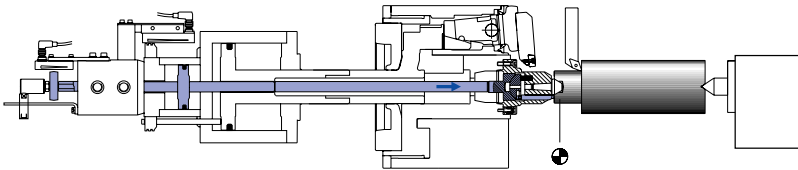
proofline® series
fully sealed – low maintenance

**Jaw carrier,
retracted**
The workpiece
is driven
by the
face driver

Balancing chambers
for fine balancing on the
machine

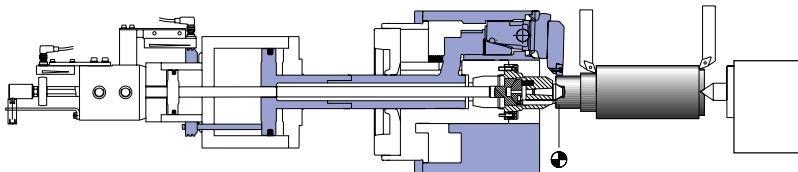
Face driver
power operated via
double piston cylinder or
with spring loaded center

The application: Complete machining of shafts in one setup



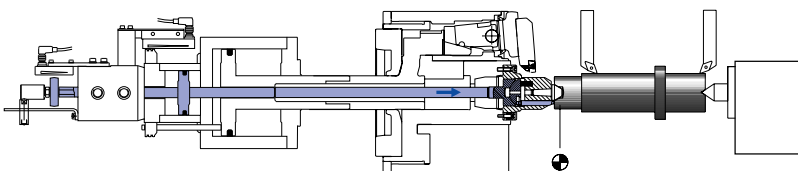
1. Machine clamping dia. (only necessary when using the self centering chuck):

The jaws are retracted. The component is clamped between centers and driven by the face driver. This operation can be eliminated if the clamping dia. is already machined when the center bore is manufactured. This operation is not necessary when using the chuck with compensating jaws.



2. Rough machining:

The part is driven with the high gripping force of the jaws. High chip removal is possible.

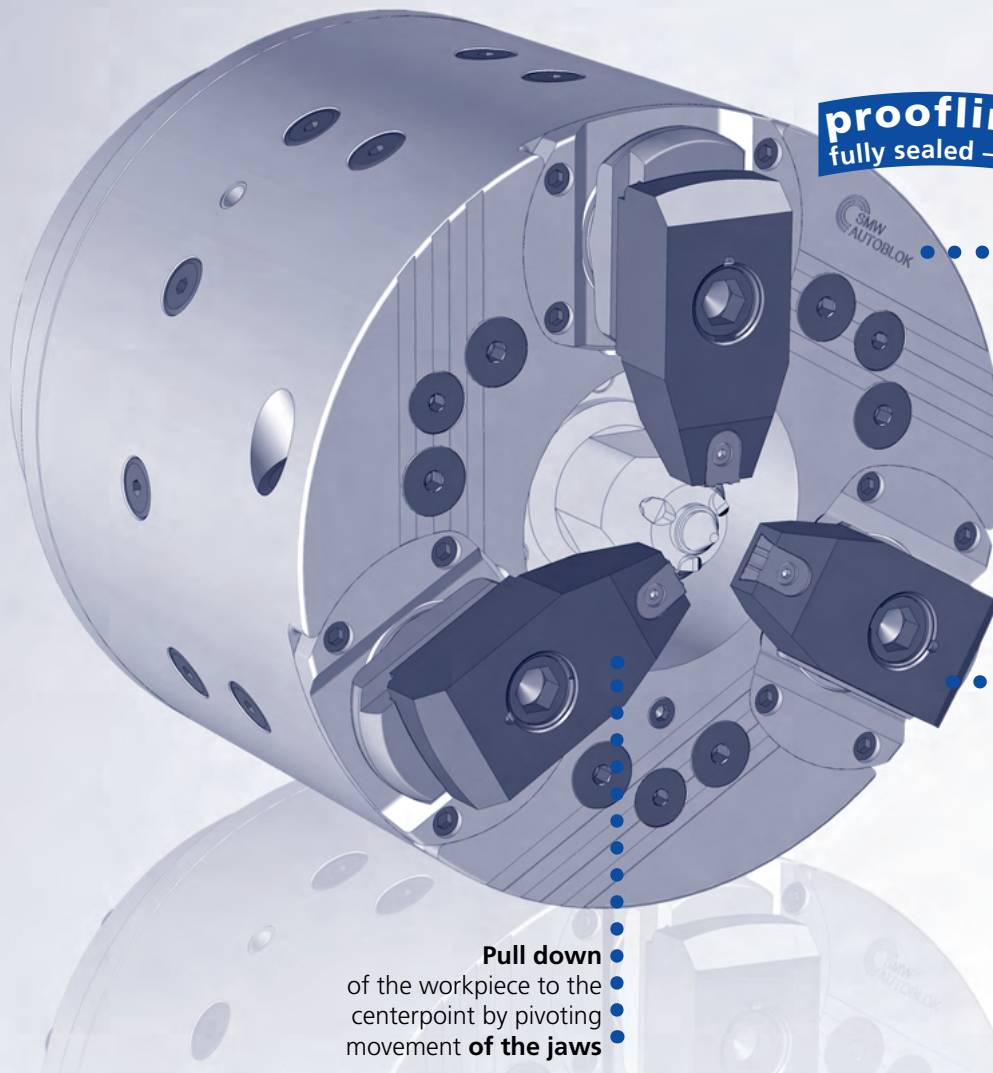


3. Finish machining:

The chuck body is retracted. The part is clamped between centers and driven by the face driver. The complete outline can be machined with perfect concentricity.

with face driver shafts in one setup

W 215 • W 260 • W 325 • W 460



proofline® series
fully sealed – low maintenance

Jaw carrier, forward
High torque transmission with the jaws

Clamping compensating or self-centering

Pull down of the workpiece to the centerpoint by pivoting movement of the jaws

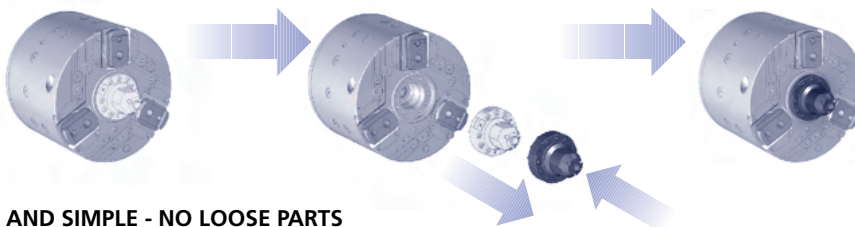
QUICK JAW CHANGE IN LESS THAN 1 MINUTE



• QUICK AND SIMPLE - NO LOOSE PARTS

QUICK-CHANGE-FACE-DRIVER IN LESS THAN 2 MINUTES

- Highest accuracy (Runout of face driver center point > 0.02 mm TIR)
- No adjustment necessary. Standard face drivers with self centering installation. (radial adjustment = option)*



• QUICK AND SIMPLE - NO LOOSE PARTS

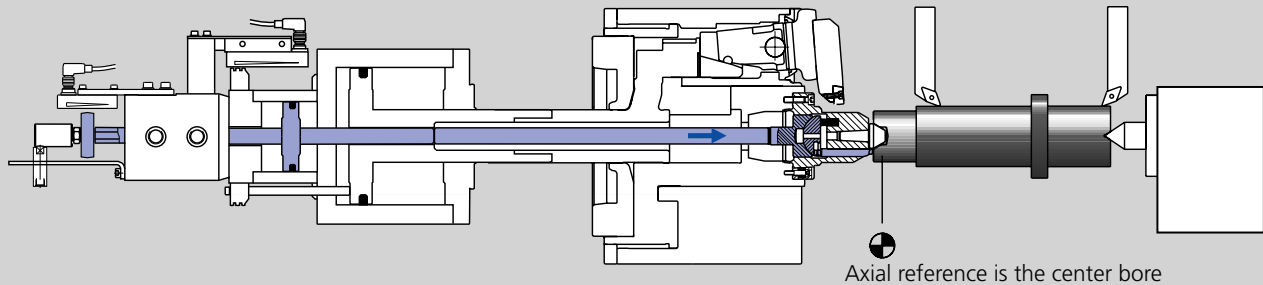
* A radial fine adjustable face driver version for higher accuracy is available on request.

Shaft chuck with retractable jaw carrier
Face driver

Face driver with center point
fixed or spring-loaded

Type 1

Shaft chuck with face driver with fixed center ZHVD-SZ or DCN double piston cylinder

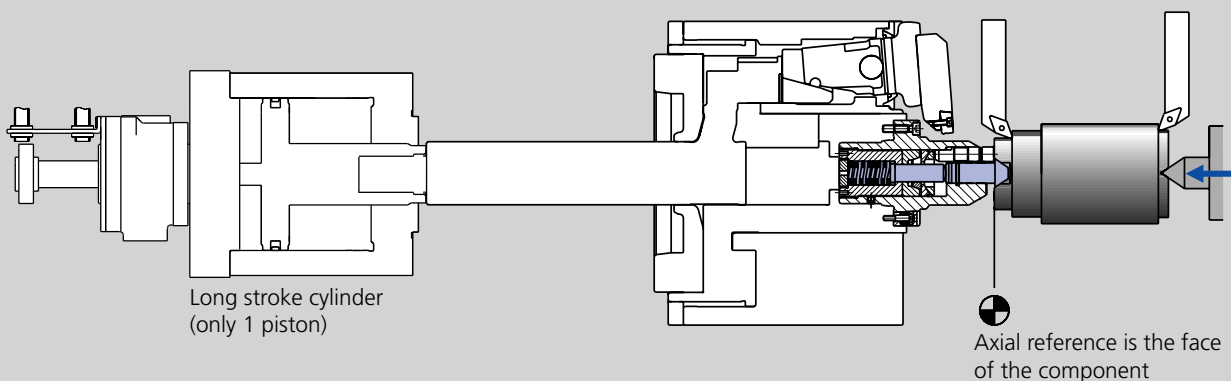


Power operated face driver with fixed center type SNF (The design of the face driver is made according to the workpiece)

- The axial reference is the center bore of the workpiece.
- Fixed center guarantees highest concentricity.
- The driving pins are actuated via piston No. 2 of the double piston cylinder ZHVD-SZ. The driving pins penetrate into the face of the workpiece (Piston No. 1 is used for chuck actuation).
- Clamped / unclamped position of the face driver is monitored by proximity switches / LPS.
- Highest accuracy - no adjustment necessary!

Type 2

Shaft chuck with face driver with spring-loaded center SIN-L long stroke cylinder



Face driver with spring-loaded center type FSB (The design of the face driver is made according to the workpiece)

- The axial reference is the face of the workpiece.
- The workpiece is pushed against the driving pins and the spring-loaded center by the tailstock thrust. The driving pins penetrate into the face of the workpiece.
- A special built-in locking mechanism holds the spring-loaded center and holds the workpiece in its axial position.
- Highest accuracy – no adjustment necessary!

Low maintenance - low wear by oil bath lubrication

Oil to be changed annually
Regular oil level check

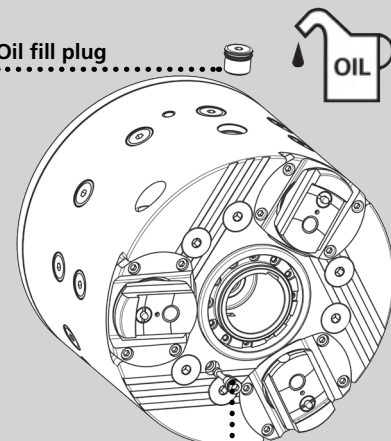
Oil: CGLP ISO VG 68

proofline® series
fully sealed – low maintenance

Chuck size	W-215 liters	W-260 liters	W-325 liters	W-460 liters
Oil quantity horizontal mounting	0.25	0.50	1.00	1.50
Oil quantity vertical mounting	0.50	1.00	1.70	3.00

Refill oil

Oil fill plug



Oil level
control plug

Applications

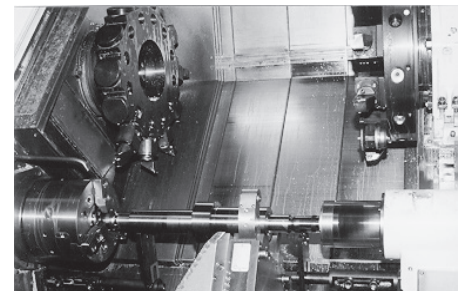
Shaft

Turning operation of:

- Concentric dia.
- Faces
- Outlines

Milling operation of:

- Lubrication channels
- Slots
- Serration
- Outlines



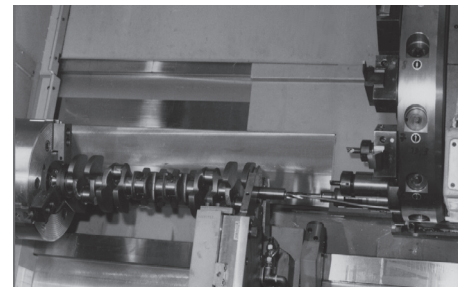
Crankshaft

Turning operation of:

- Bearing dia.
- Crank sides
- Crank O.D.

Milling operation of:

- Cranks
- Reference slots
- Serration
- Lubrication channels



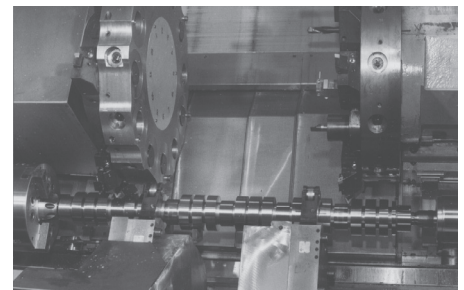
Camshaft

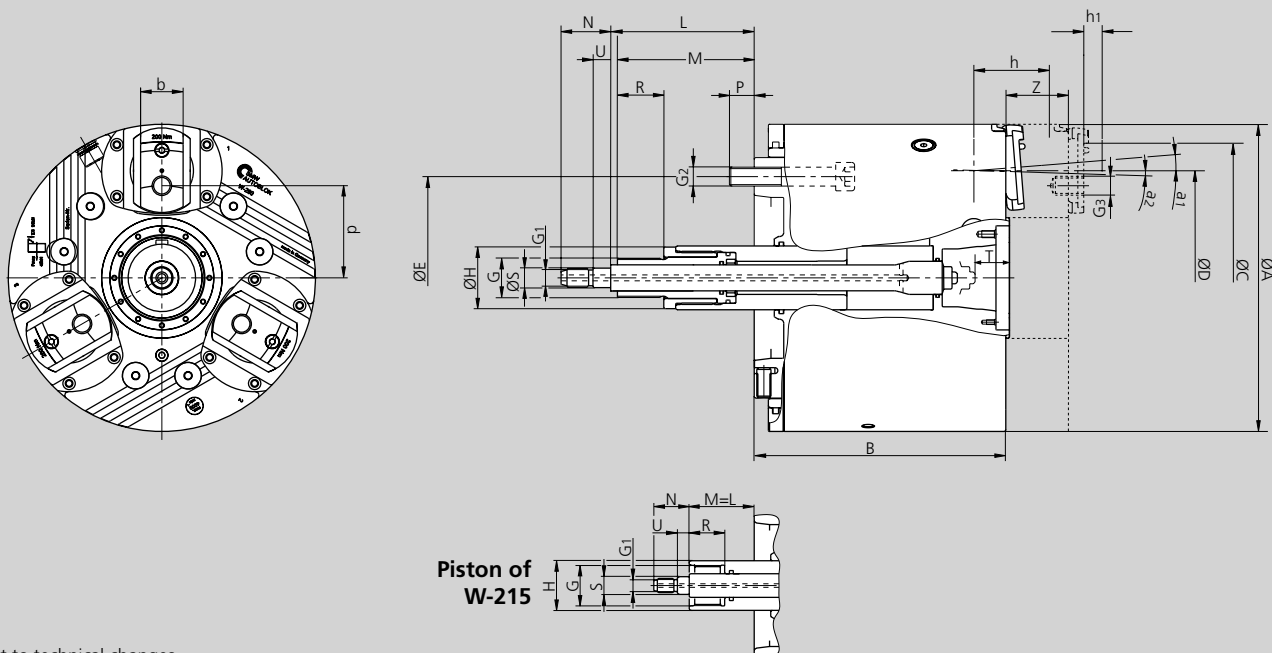
Turning operation of:

- Bearing dia.
- Cam faces

Milling operation of:

- Cam profile
- Slots
- Serration
- Lubrication channels





Subject to technical changes.
For more detailed information please ask our customer service.

SMW-AUTOBLOK Type		W-215		W-260		W-325		W-460	
Mounting		A6	A8	A6	A8	A8	A11	A11	A15
Chuck outside dia.	A	215		260		325		460	
Chuck height	B	176	211	238	213	285	251	344	309
In clamping position (radius)	C	R92		R115		R143		R205	
Max. clamping dia.	D	145		175		220		335	
	E	133.4	171.4	133.4	171.4	171.4	235	235	330.2
	G	M34 x 1.5		M33 x 1.5		M45 x 1.5		M85 x 2	
	G1	M12		M16		M16		M55 x 2	
	G2	M12	M16	M12	M16	M16	M20	M20	M24
	G3	M12 x 20		M16 x 24		M20 x 30		M24 x 45	
	H	42		54		70		110	
Push rod face driver min. / max.	L	55 / 40	20 / 5	96.5 / 51.5	121.5 / 106.5	106 / 91	140 / 125	119 / 104	154 / 139
Min. / max.	M	55 / -4	20 / -39	96.5 / 26.5	121.5 / 51.5	106 / 26.8	140 / 60.8	119 / 24.4	154 / 56.5
	N	30		42		42		42	
	P	15.5	22	18	21	24	26	26	34
	R	30		45		50		50	
	S_{r6}	15		16.5		16.5		56.5	
Push rod pos. check dimension	T	22		29		46		60	
	U	10		15		15		15	
Axial movement / jaw carrier	Z	44		53		58		65	
Piston stroke for jaw clamping	Z1	15		17		22		32.5	
Opening / residual stroke angle	a1/a2	4.5° / 1.5°		4.5° / 1.3°		4.5° / 1.3°		5° / 2°	
Opening / residual stroke at distance h1	h1	4.0 / 1.3		4.5 / 1.3		5.7 / 1.9		7.7 / 3.1	
Max. jaw stroke at distance h*	mm	5.3		5.8		7.6		10.8	
Max. compensation / chuck Type C	mm	± 0.6		± 1.0		± 1.5		± 3.3	
	b	30		36		44		52	
	d	65		78		96.5		150.5	
Reference height	h	50		57		72		88	
Oil volume horizontal use	l	0.25		0.50		0.75		1.50	
Oil volume vertical use	l	0.50		1.00		1.50		3.00	
Max. speed	r.p.m.	5000		4000		3200		1800	
Max. draw pull	kN	30		55		75		100	
Max. gripping force at reference distance h*	kN	60		110		150		200	
Moment of inertia	kg·m ²	0.236	0.271	0.639	0.606	1.872	1.734	9.35	8.91
Weight (without top jaws)	kg	40	45	75	70	140	127	364	336

* With higher top jaws, the actuating force and thus the gripping force must be reduced. The maximum speed is reduced accordingly.

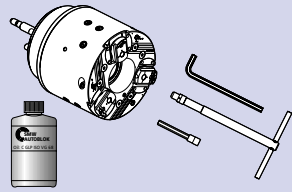


JAWS-CATALOG
Request or
download:
www.smw-autoblok.de

Ordering review

Supply range:

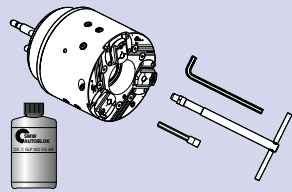
Compensating clamping (Type C) chuck with mounting bolts and mounting keys, oil*



Spindle mounting \ Type C	W-215	W-260	W-325	W-460
A6	069930	069527		
A8	069932	069444	069525	
A11		069815	068981	069602
A15				069600

Supply range:

Self centering clamping (Type S) chuck with mounting bolts and mounting keys, oil*



Spindle mounting \ Type S	W-215	W-260	W-325	W-460
A6	069934	069542		
A8	069936	069546	069552	
A11		069817	069554	069606
A15				069604

* Attention:

The W-chucks in this ordering review are for the use of power operated face drivers only (Type 1).

To use face drivers with spring loaded center, a different chuck (Type 2) has to be used.

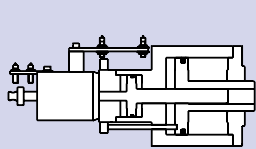
Please ask our engineers for the corresponding Id. No. and the matching cylinders.

Power operated face drivers and face drivers with spring loaded center **cannot** be used alternating on the same chuck.

Attention:

Shaft chuck for vertical machines on request

Actuating cylinder



Double piston cylinder \ Type	W-215	W-260	W-325	W-460
ZHVD-SZ	68-17	110-25	110-25 / 240-40	240-40
Id. No.	044429	045297	045297 / 045298	045298
DCN			170-40 / 95-50	
Id. No.			33705215	

Oil

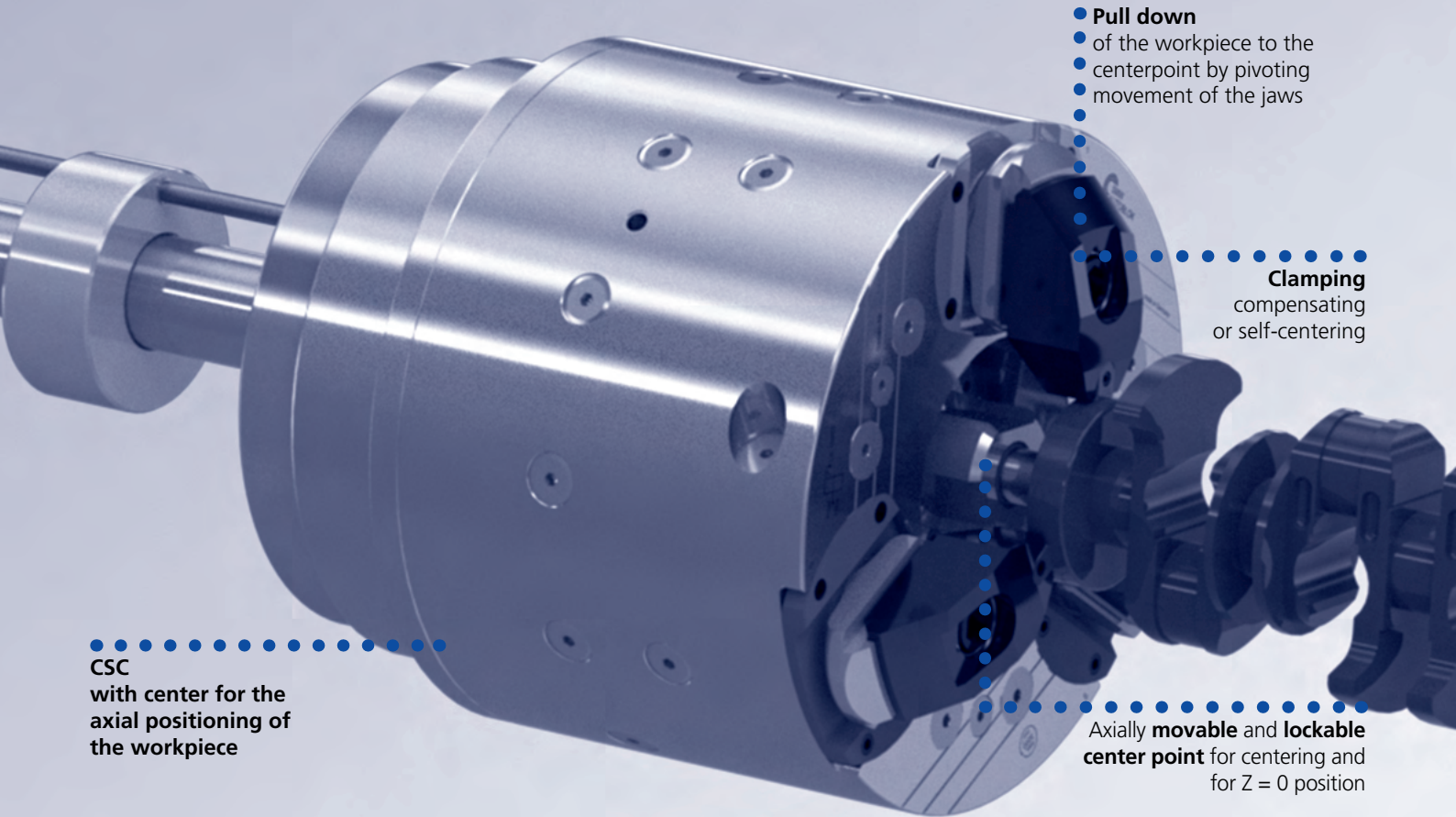


Oil for permanent oil bath lubrication

Oil specification	CGLP ISO VG 68
Contents	1 liter/1.05 quart (U.S.)
Id. No.	197859



Crank shaft chuck with retractable jaws

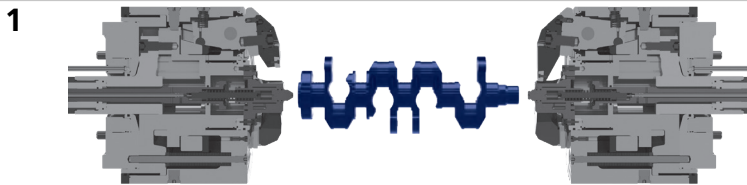


CSC
with center for the
axial positioning of
the workpiece

• Pull down
• of the workpiece to the
• centerpoint by pivoting
• movement of the jaws

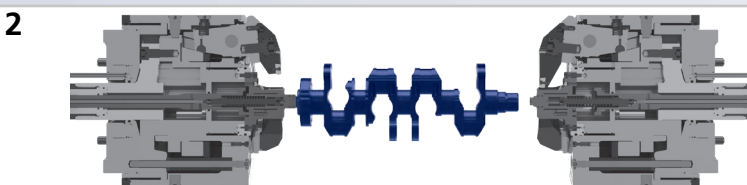
Clamping
compensating
or self-centering

Axially movable and lockable
center point for centering and
for Z = 0 position



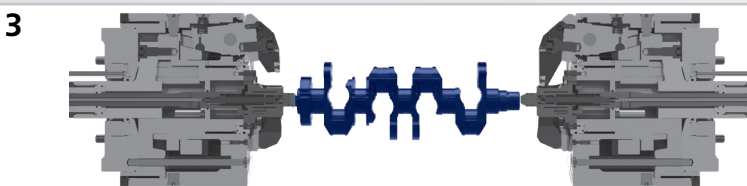
Step 1, loading of the workpiece:

- The centers are retracted
- The jaws are retracted and open



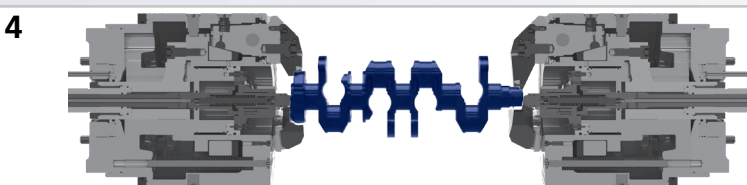
Step 2, create the Z = 0 position:

- The left center point moves forward to its end stop to create the Z = 0 position and is locked
- The jaws are retracted and open



Step 3, centering the workpiece:

- the right center moves forward to center the workpiece between the 2 centers and is locked



Step 4, clamping the workpiece:

- The jaws move forward and clamp the work piece with a pull down effect
- The jaw carrier is locked

Clamping glossary

Pull down: The jaws of the CSC crankshaft chuck clamp inwards by means of a pivoting movement. This generates a **pull-down movement in the Z axis - in the direction of the centering point**. This pull-down movement **prevents the crankshaft from being pushed off the center point** and keeps the crankshaft exactly stable in the center axis. This guarantees **high concentricity accuracies**.

Sealing: The CSC crankshaft chuck is completely sealed and **protected against dirt and coolant**. This prevents inaccuracies, malfunctions and increased wear and makes the system **extremely reliable**.

Low Maintenance: The CSC crankshaft chuck is equipped with **permanent oil bath lubrication**. This allows **continuous operation of the machine** without regular interruptions for maintenance, which guarantees to **increase machine availability**.

Clamping: The centering point and the jaw carrier of the CSC crankshaft chuck are **hydraulically clamped in the clamping position**. This **increases the rigidity** of the clamping system and **reduces vibrations**. This is reflected in **improved workpiece quality** and **reduced tool wear**.

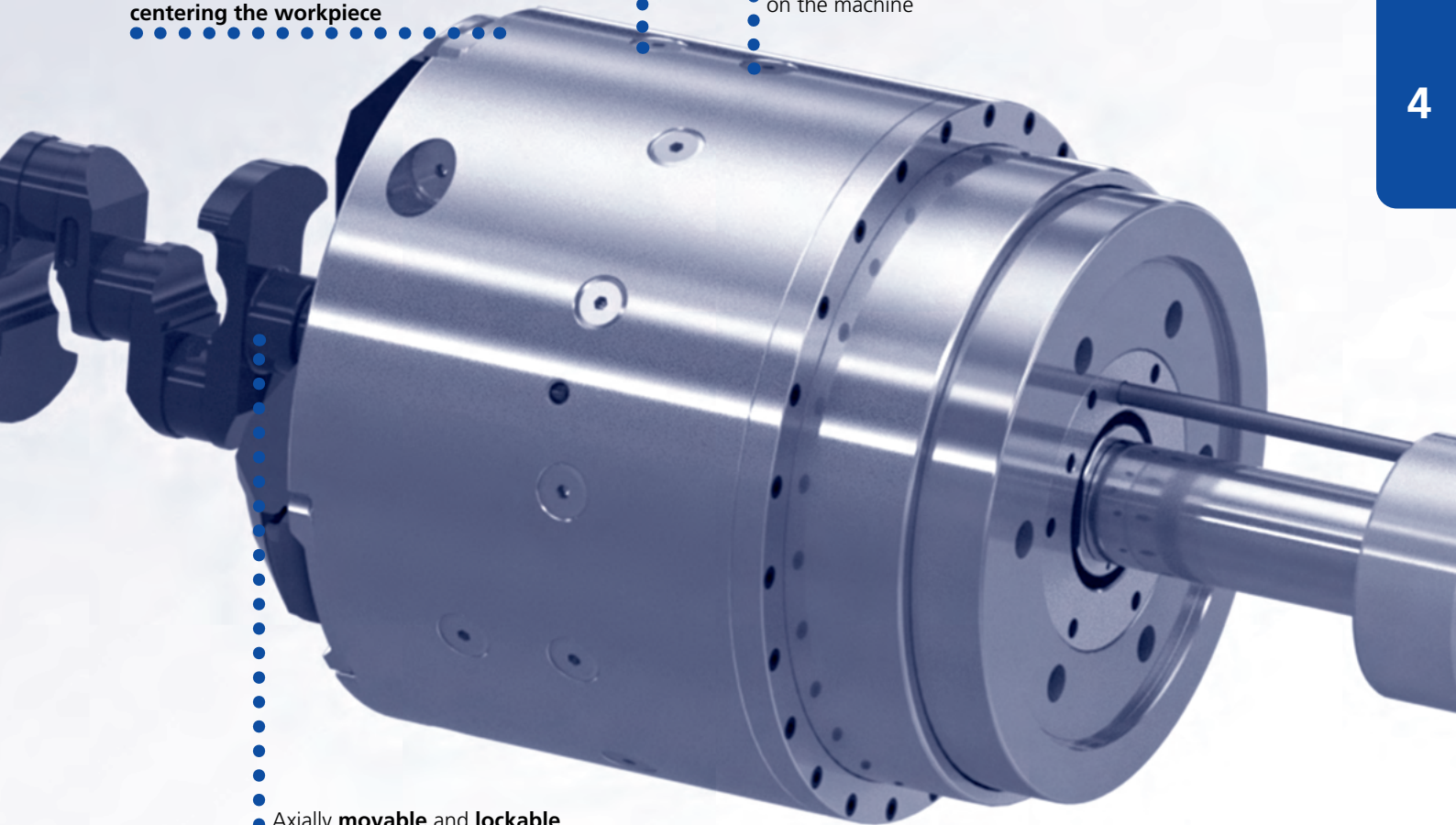
Balancing chambers: The CSC crankshaft chuck has radial **balancing chambers** on the outer diameter. By removing inserted balance weights **the system can be easily fine-balanced on the machine**.

CSC
with center with
tailstock function for
centering the workpiece

low maintenance
due oil bath lubrication

Balancing chambers
for fine balancing
on the machine

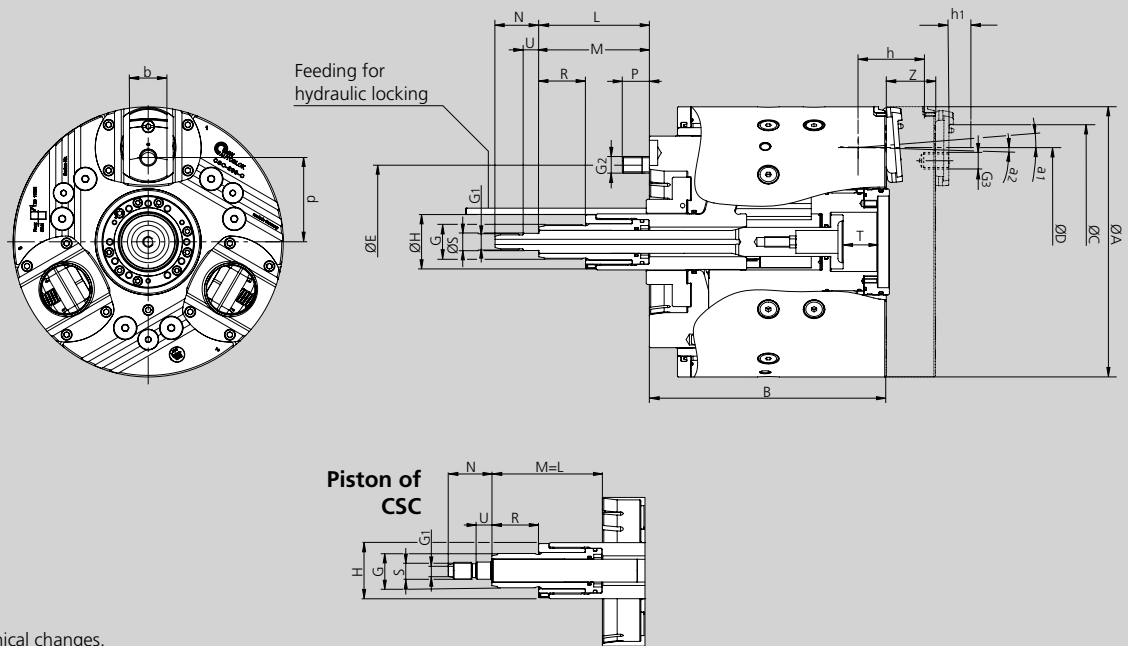
Axially **movable** and **lockable**
center point to center the work
piece (tailstock function)



QUICK JAW CHANGE IN LESS THAN 1 MINUTE



• QUICK AND SIMPLE - NO LOOSE PARTS



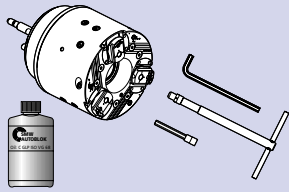
Subject to technical changes.
For more detailed information please ask our customer service.

SMW-AUTOBLOK Type		CSC-260	CSC-325
Mounting		A8	A8
Chuck outside dia.	A	260	260
Chuck height	B	228	287
In clamping position (radius)	C	R115	R115
Max. clamping dia.	D	175	175
	E	171.4	133.4
	G	M33 x 1.5	M33 x 1.5
	G1	M16	M16
	G2	M16	M16
	G3	M16 x 24	M16 x 24
	H	54	54
Push rod center point min. / max.	L	106.3 / 66.5	123 / 83
Min. / max.	M	106.5 / 36.4	123 / 43.8
	N	42	42
	P	21	21
	R	45	45
	S₆	16.5	16.5
Check dimension center insert	T	33	33
	U	15	15
Axial movement / jaw carrier	Z	53	53
Piston stroke for jaw clamping	Z1	17	17
Opening / residual stroke angle	a1/a2	4.5° / 1.3°	4.5° / 1.3°
Opening / residual stroke at distance h1	h1	4.5 / 1.3	4.5 / 1.3
Max. jaw stroke at distance h1*	mm	5.8	5.8
Max. compensation / chuck (type C)	mm	± 1.0	± 1.0
	b	36	36
	d	78	78
Reference height	h	57	57
Oil volume horizontal use	l	0.50	0.50
Max. speed	r.p.m.	4000	4000
Max. draw pull	kN	55	55
Max. gripping force at reference distance h*	kN	110	110
Moment of inertia	kg·m ²	0.606	0.606
Weight (without top jaws)	kg	70	70

* With higher top jaws, the actuating force and thus the gripping force must be reduced. The maximum speed is reduced accordingly..

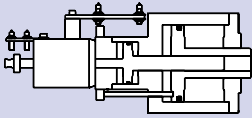
Supply range:

Compensating clamping (Type C) chuck with mounting bolts and mounting keys, oil



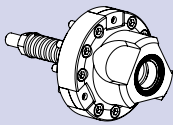
Spindle mounting	Type C	CSC-260	CSC-325
A6		-	-
A8		162600	-
A11		-	-
A15		-	-

Actuating cylinder



Double piston cylinder	Type	W-215
DCN		125-30 / 87 / 40
Id. No.		046796

Centering inserts



Centering insert main and subspindle (without custom center point)		
	CSC-260	CSC-325
	209285	5315643

Oil



Oil for permanent oil bath lubrication	
Oil specification	CGLP ISO VG 68
Contents	1 liter / 1.05 quart (U.S.)
Id. No.	197859

- Compensating jaw clamping
- Face driver with fixed or spring loaded center
- **proofline®** chucks = fully sealed - low maintenance



Application/customer benefits

- Complete machining of shafts in one operation
- The rough machining is done with compensating jaws clamping
- Finish machining of the complete outline with the face driver at retracted jaws

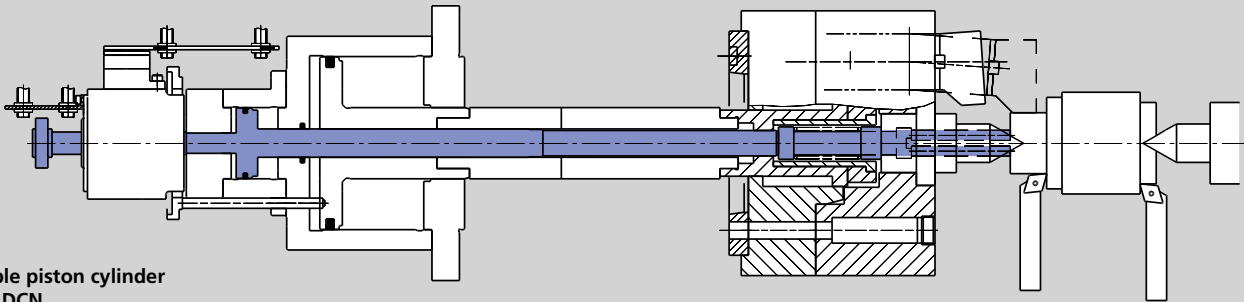
Technical features

- Retractable jaws
- Compensating jaws clamping
- Face driver adjustable with adjusting wedges
- Center point fixed or spring loaded
- Pull down of the workpiece to the axial reference, ensures high position accuracy
- Case hardened internal parts
- Constant grease lubrication
- **proofline®** chucks = fully sealed - low maintenance

Standard equipment

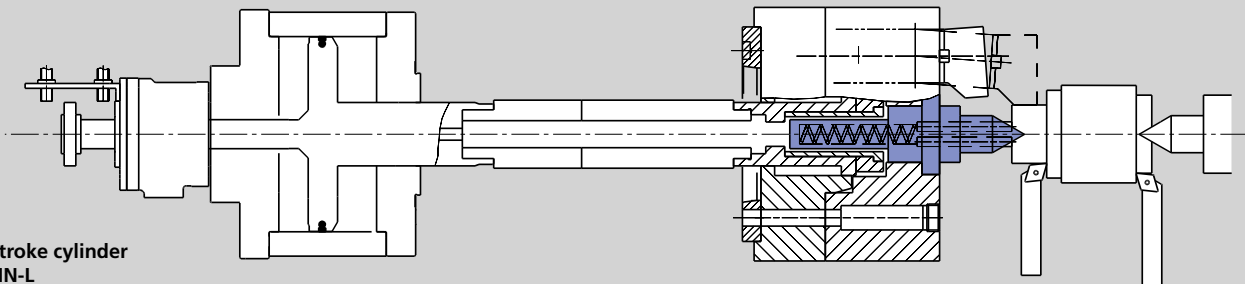
Shaft chuck without face driver
with mounting bolts

Axial reference in the center point - power operated face driver Actuation via double piston cylinder type ZHVD-SZ or DCN



Double piston cylinder
Type DCN

Axial reference on the component face - spring operated face driver Actuation via long stroke cylinder type SIN-L



Long stroke cylinder
Type SIN-L

Technical data

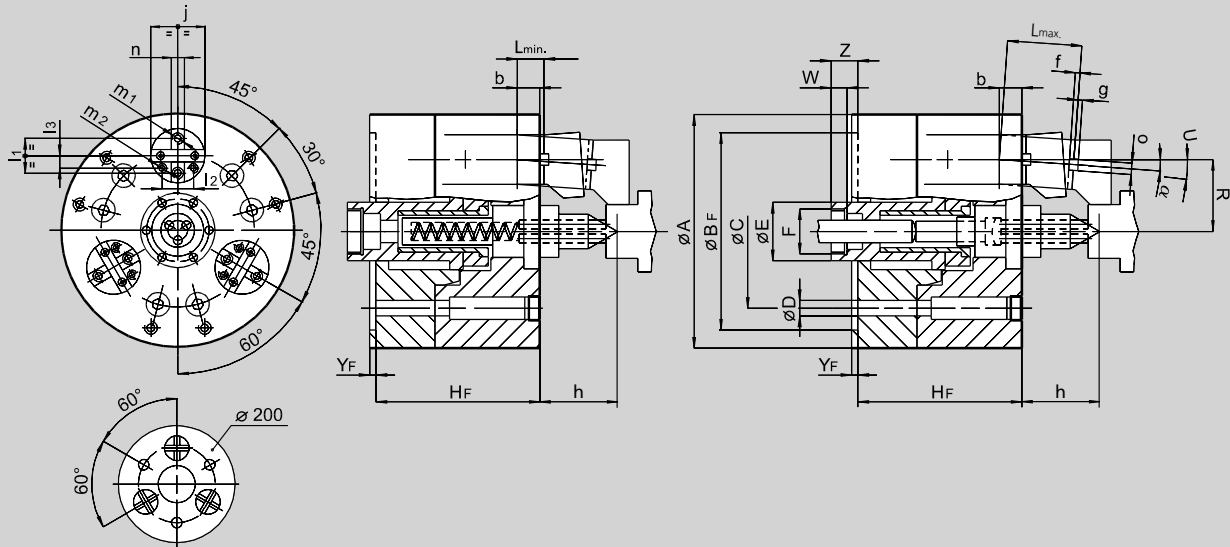
SMW-AUTOBLOK Type		GSA 200	GSA 260	GSA 320	GSA 480
Number of jaws		3	3	3	3
Angular jaw stroke U°	deg.	5°	5°	5°	5°
Radial jaw stroke at distance h	mm	9	10	11.5	15
Compensation at distance h	mm	±0.8	±1	±1	±4.5
Wedge stroke (total)	mm	57.5	66.5	77.6	103.9
Max. draw-push	kN	40	60	80	200
Max. gripping force at distance h	kN	40	65	100	240
Max. speed	r.p.m.	4500	4000	3200	1600
Weight (without top jaws)	kg	30	55	100	420
Moment of inertia	kg·m ²	0.15	0.46	1.28	11
Recommended actuating cylinders:		DCN 125 / 30 70 / 25	DCN 125 / 30 70 / 25	DCN 125 / 30 87 / 40 DCN 170 / 40 95 / 50	ZHVD-SZ 240-40
- Axial reference in the center bore					
- Axial reference on the component face		SIN-L 125	SIN-L 150	SIN-L 150	SIN-L 250

Shaft turning chuck \varnothing 200 - 480 mm

GSA

- Compensating jaw clamping
- Face driver with fixed or spring loaded center
- proofline® chucks = fully sealed – low maintenance

Shaft chuck with retractable jaw
Face driver

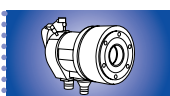


Subject to technical changes.
For more detailed information please ask our customer service.

SMW-AUTOBLOK Type			GSA 200	GSA 260	GSA 320	GSA 480
	A	mm	200	260	320	480
	BF H6	mm	170	220	280	380
	C	mm	146	171.4	235	330.2
	D	mm	17	17	21	25
	E	mm	50	61	75	105
	F	mm	M38 x 1.5	M50 x 1.5	M56 x 2	M75 x 2
	HF	mm	160	183	215	356
	Lmin.	mm	24	25	33	55
	max.	mm	74	83	98	135
	R	mm	60	75	102.5	153
Jaw pivoting	U	deg.	5°	5°	5°	5°
	W	mm	18	18	18	30
	YF	mm	6	6	6	18
Min.	Z	mm	25	27	15.4	27
Max.	Z	mm	82.5	93.5	93	131
	b	mm	24	25	32	58
	f	mm	4	5	5	7
	g	mm	3	3.5	3	6
Reference distance	h	mm	80	90	105	115
	j	mm	48	55	65	95
	l1	mm	32	35	42	66
	l2	mm	27	32	35	53
	l3	mm	12	12.5	16	25
	m1	mm	M10	M12	M16	M16
	m2	mm	M8	M10	M12	M16
	n H7	mm	12.68	12.68	12.68	19.03
	o h7	mm	12.68	12.68	12.68	19.03
	α	deg.	3.5°	3.5°	3.5°	3.5°

ISO-A flanges for GSA chucks

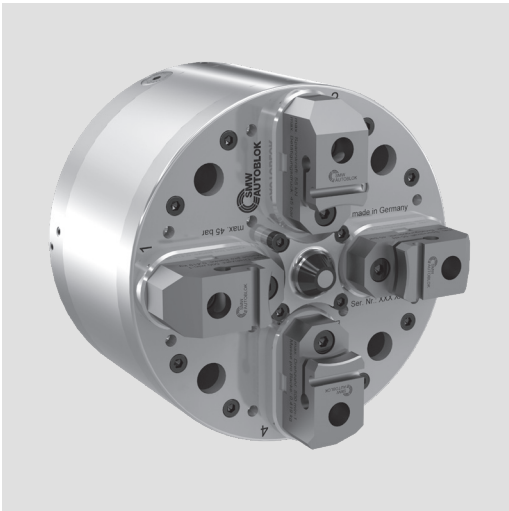
	FF 1 Direct ISO-A mounting	FF 2 Reduction ISO-A mounting	FF 3 Increase ISO-A mounting	GSA chuck	Spindle	Type	Id. No.	A	BF	BA	C	C1	T
				200	A5	2	24152050	-	170	82.563	104.8	146	24
				200	A6	2	24162050	-	170	106.375	133.4	146	24
				200	A8	3	24182050	210	170	139.719	171.4	146	40
				260	A6	2	24162530	-	220	106.375	133.4	171.4	24
				260	A8	1	24182500	-	220	139.719	171.4	-	19
				260	A11	3	24112510	280	220	196.869	235	171.4	45
				320	A8	2	24183500	-	280	139.719	171.4	235	30
				320	A11	1	24113500	-	280	196.869	235	-	21
				480	A11	2	24115000	-	380	196.869	235	330.2	40
				480	A15	1	24125000	-	380	285.775	330.2	-	23



SMW-AUTOBLOK
321

2+2 jaw compensating chuck

- 2+2 jaw hydraulic actuation
- Quick change center or adjustable
- For grinding
- Sealed and low maintenance



Application/customer benefits

- For grinding of shafts

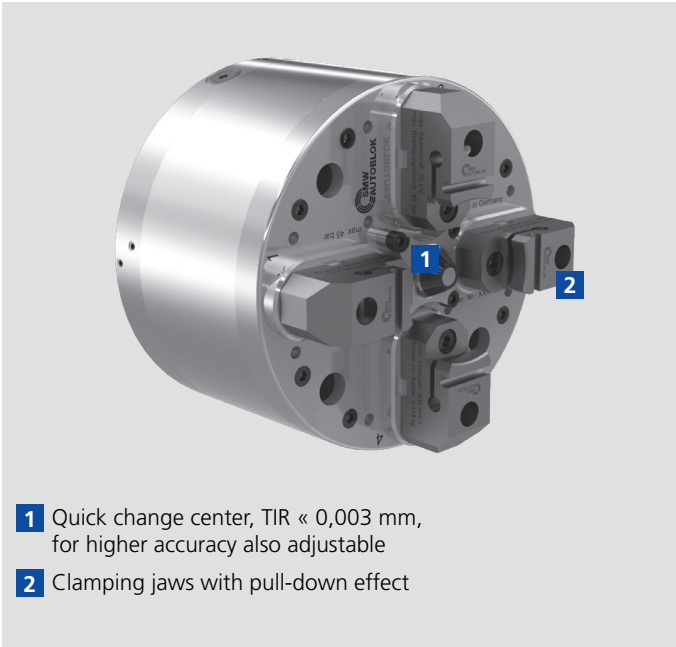
Technical features

- 2+2 jaw hydraulic actuation
- Oil distribution via hydraulic manifold
- Quick change center or adjustable
- Sealed, oil bath lubricated and low maintenance

Standard equipment

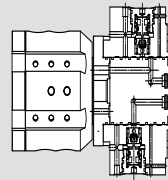
2+2 jaw compensating chuck
without center
without top jaws

Product features SCG



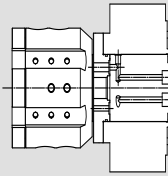
- 1** Quick change center, TIR \ll 0,003 mm, for higher accuracy also adjustable
- 2** Clamping jaws with pull-down effect

Rotary distributor adaption versions



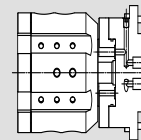
Version 1:
Rotary distributor with flange
with safety valves

Id. No. 046881



Version 2:
Rotary distributor with flange
two-pieced

Id. No. 046880

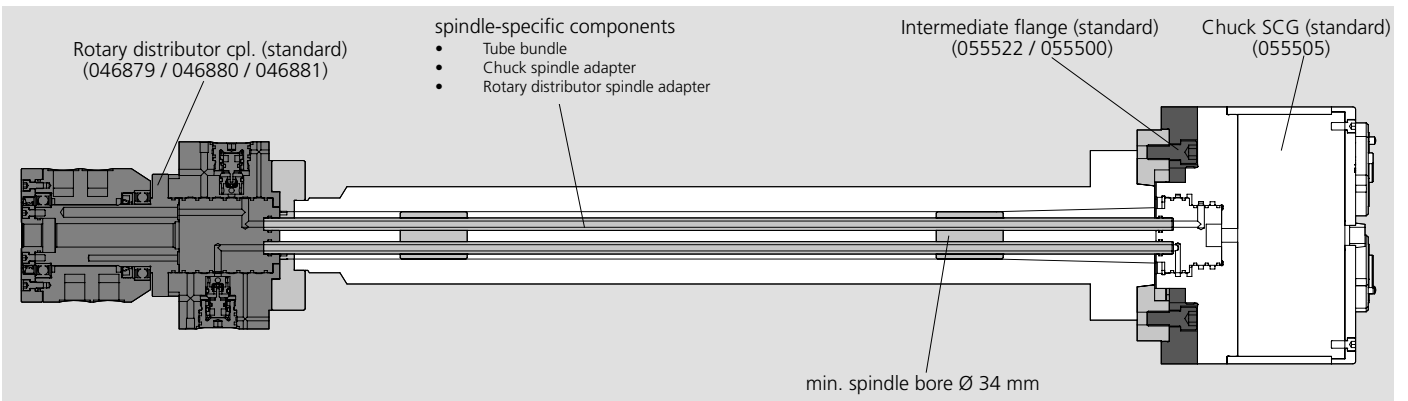


Version 3:
Rotary distributor with flange
compact

Id. No. 046879

Ordering review

Item	Order number
Chuck	055505
Intermediate flange / intermediate flange adjustable	055522 / 055500
Rotary distributor cpl.	046879 / 046880 / 046881
spindle-specific components	tbd.

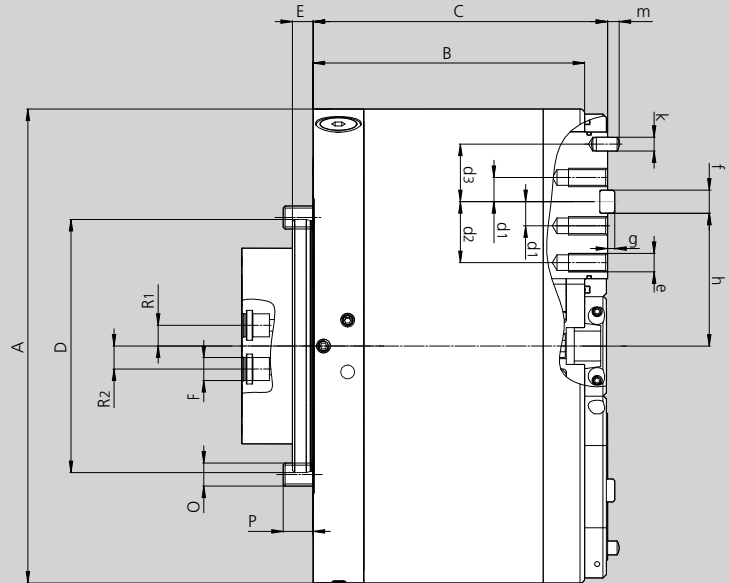
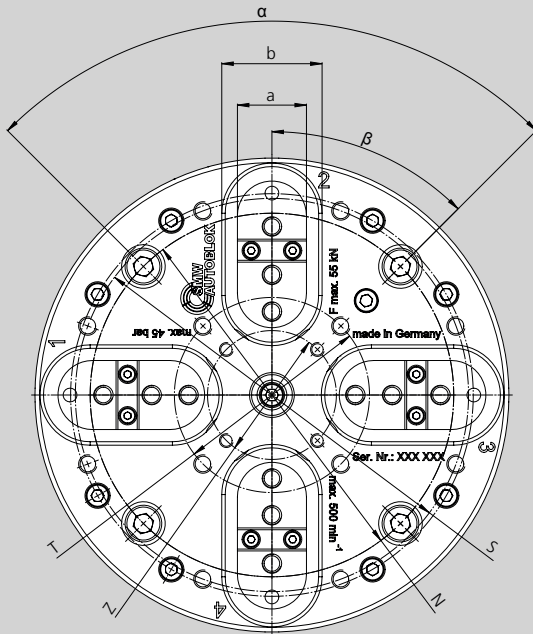


2+2 jaw compensating chuck

- 2+2 jaw hydraulic actuation
- Quick change center
- For grinding
- Sealed and low maintenance

SCG

2+2 jaw hydraulic actuation



Subject to technical changes.
For more detailed information please ask our customer service.

4

SMW-AUTOBLOK Type		SCG 206	
Mounting	Size	Z110	
	A	mm	206
	B	mm	118
	C	mm	128
Centering	D	mm	110
	E	mm	9
Connection bore for tube bundle (dia. - depth - No.)	F	mm	Ø10 x 12mm - 4 x 90°
Fixing bolt circle	N	mm	158
Fixing bolt	O	mm	M10 (4x)
Min. thread engagement of the fixing bolt	P	mm	13
Bolt-circle for centerpoint (dia. - size - depth - No.)	Z	mm	Ø56 - M6 x 8 - 4 x 90°
Bolt-circle for tube bundle (3x) Radius	R1	mm	18
Bolt-circle for tube bundle (1x / clamping jaws 1+3) Radius	R2	mm	20
Bolt-circle (dia. - size - depth)	S	mm	Ø170.9 - M8 x 8
Bolt-circle (dia. - size - depth)	T	mm	Ø84.8 - M8 x 8
	a	mm	30
	b	mm	43.6
	d1	mm	10.5
	d2	mm	26.5
	d3	mm	25
Thread jaws (3x)	e	mm	M8 x 17
Notch	f h6	mm	10
	g	mm	3.1
Distance between notch and center of chuck (chuck opened)	h	mm	57.75
Pin	k h6	mm	6
	m	mm	5
	alpha	deg.	90
	beta	deg.	45
Radial jaw stroke	mm		2
Pressure max.	bar		45
Gripping force max.	kN		55
Speed max.	r.p.m.		500
Weight (without top jaws)	kg		31
Moment of inertia	kg·m ²		0.22

ACS-E 3

Self centering
column chuck

Self-centering column chuck with pull down Ø 110 - 350 mm

- Pull down
- Power operated via standard cylinders
- O.D. clamping



Application/customer benefits

- For small, medium and large quantities at high precision
- Pull down of the workpiece to the axial workstop during clamping
- Minimum loss of gripping force at high speed
- Standard, hardened jaw blanks available

Technical features

- Chuck body completely case hardened
- Openings in the chuck body to evacuate chips
- Central bore for coolant / air

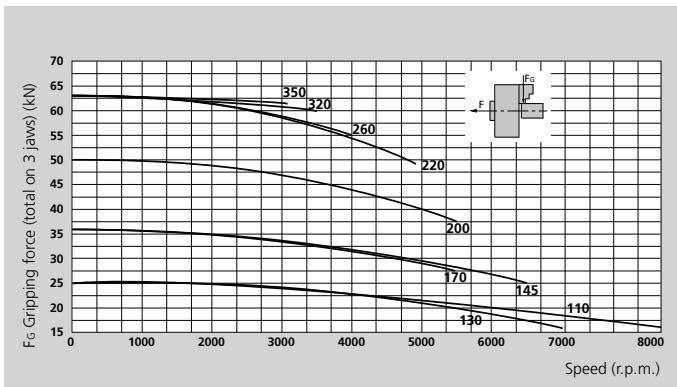
Standard equipment

3-jaw chuck
Mounting bolts

Ordering example

3-jaw column chuck
with center mounting Z170
type ACS-E 220-3-Z170

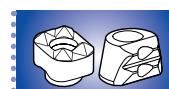
Actual gripping force diagram



The diagram refers to standard jaw blanks,
machined to 50% of their mass.

Technical data

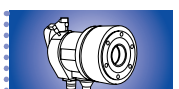
SMW-AUTOBLOK Type		ACS-E 3 110	ACS-E 3 130	ACS-E 3 145	ACS-E 3 170	ACS-E 3 200	ACS-E 3 220	ACS-E 3 260	ACS-E 3 320	ACS-E 3 350
Jaw stroke	mm	2.6	2.6	2.6	2.6	2.6	3.2	4	6	6
Piston stroke	mm	10	10	10	10	10	12	15	15	15
Actuating force max.	kN	10	10	15	15	20	25	25	35	35
Grip force max.	kN	25	25	36	36	50	63	63	63	63
Speed max.	r.p.m.	8000	7000	6500	6300	5500	4900	4300	3400	3100
Weight	kg	5	12	14	17	30	35	50	75	90
Moment of inertia	kg·m ²	0.07	0.02	0.03	0.06	0.16	0.21	0.35	0.84	1
Clamping range	min.	4	10	20	30	30	50	90	90	120
Clamping range	max.	45	50	70	95	100	125	165	215	245
Rec. actuating cylinders	Type	SIN-S 70	SIN-S 70	SIN-S 70	SIN-S 85	SIN-S 100	SIN-S 125	SIN-S 125	SIN-S 125	SIN-S 125
Rec. actuating cylinders	Type	SIN-S 85	SIN-S 85	SIN-S 85	SIN-S 100	SIN-S 125	SIN-S 150	SIN-S 150	SIN-S 150	SIN-S 150
Chuck	Id. No.	77690111	77690113	77690114	77690117	77690120	77690122	77690125	77690132	77690135
Jaw blanks	Id. No.	69731110	69761310	69761410	69761710	69762010	69762210	69762210	69763210	69763210



SMW-AUTOBLOK
466



SMW-AUTOBLOK
460



SMW-AUTOBLOK
321

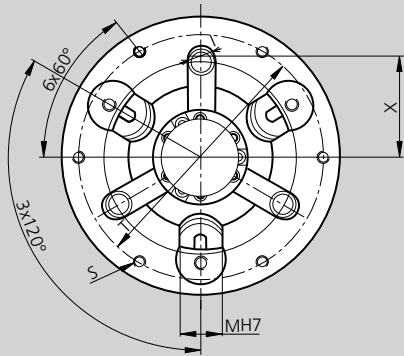
Self-centering column chuck with pull down Ø 110 - 350 mm

- Pull down
- Power operated via standard cylinders
- O.D. clamping

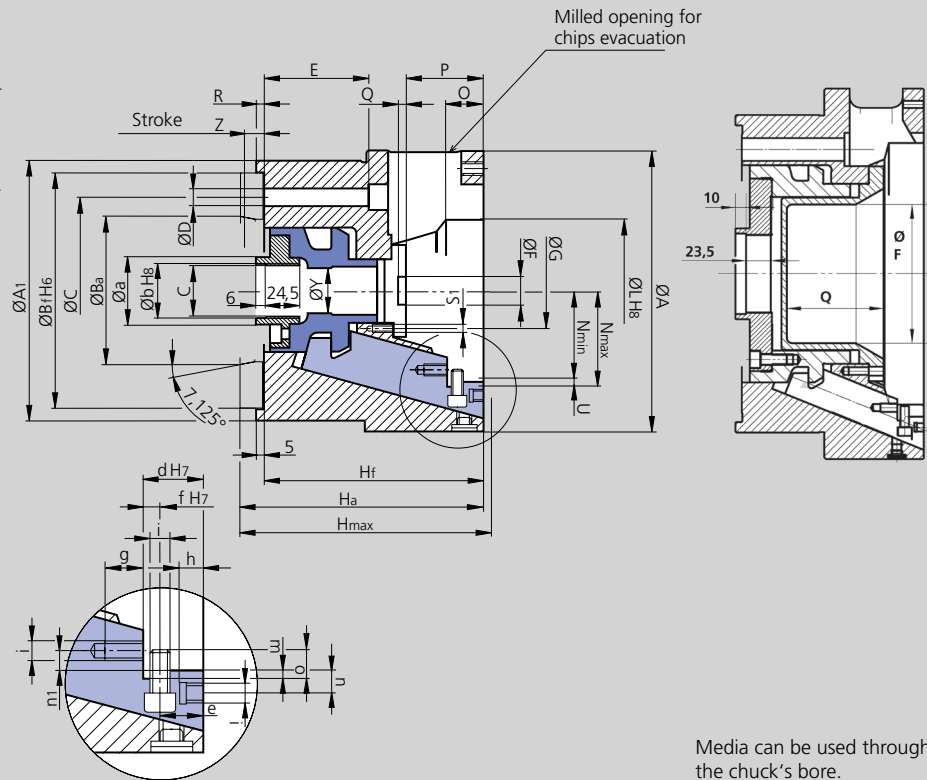
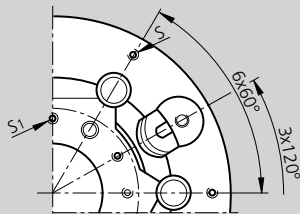
ACS-E 3

Self centering
column chuck

ACS-E 110-130-145-170



ACS-E 200-220 ACS-E 260-320-350



Subject to technical changes.
For more detailed information please ask our customer service.

Media can be used through
the chuck's bore.

Specials on request.

SMW-AUTOBLOK Type		ACS-E 3 110	ACS-E 3 130	ACS-E 3 145	ACS-E 3 170	ACS-E 3 200	ACS-E 3 220	ACS-E 3 260	ACS-E 3 320	ACS-E 3 350
Mounting		ISO-* Z90	ISO-A4 Z115	ISO-A4 Z115	ISO-A5 Z140	ISO-A6 Z170	ISO-A6 Z170	ISO-A8 Z220	ISO-A11 Z280	ISO-A11 Z280
A/A1	mm	112 / 100	130 / 130	145 / 130	170 / 155	200 / 185	220 / 185	260 / 235	324 / 300	354 / 300
Ba	mm	-	63.513	63.513	82.563	106.375	106.375	139.719	196.869	196.869
Bf	mm	90	115	115	140	170	170	220	280	280
C	mm	70	82.6	82.6	104.8	133.4	133.4	171.4	235	235
D	mm	3x8.5	3x11	3x11	3x11	6x13	6x13	6x17	6x21	6x21
E	mm	48	64	64	65	75	75	91	97	97
F	mm	-	-	16	20	20	30	70	105	131
G	mm	38	-	40	65	54	68	107	154	184
Hmax.	mm	-	130	130	140	179	183	198.5	200.5	200.5
Ha	mm	-	125	125	135	174	177	191	193	193
Hf	mm	95	112	112	120	157	160	172	172	172
I	mm	-	20	20	20	-	-	-	-	-
L	mm	52	55	75	98	102	126	167	217	247
M	mm	18	20	20	20	30	30	30	30	30
Nmin./max.	mm	30.2 / 32.8	33.7 / 36.3	43.7 / 46.3	56.2 / 58.8	63.7 / 66.3	73.4 / 76.6	93 / 97	117 / 123	132 / 138
O	mm	22.5	26.5	26.5	26.5	32	33	34	33	33
P	mm	25	30	29	29	55	50.5	40	38	38
Q	mm	-	-	5	5	7	7	65.5	91.5	91.5
R	mm	15	18	18	4.5	4.5	3.5	2	6	6
S	mm	6 x M5	6 x M6	6 x M6	6 x M6	6 x M8	6 x M8	6 x M8	12 x M8	12 x M8
S1	mm	-	-	3 x M5	6 x M5	6 x M6	6 x M6	6 x M6	6 x M8	6 x M8
T	mm	90	115	115	145	175	190	226	290	320
Stroke	mm	2.6	2.6	2.6	2.6	2.6	3.2	4	6	6
Stroke	mm	10	10	10	10	10	12	15	15	15
X	mm	-	41.3	41.3	52.4	-	-	-	-	-
W	mm	4	5	5	5	5	5	5	6	6
a	mm	28	36	36	48	48	48	48	86	86
b	mm	22	29	29	39	39	39	39	76	76
c	mm	M20 x 1.5	M28 x 1.5	M28 x 1.5	M38 x 1.5	M38 x 1.5	M38 x 1.5	M38 x 1.5	M75 x 2	M75 x 2
d	mm	18	20	20	20	25	25	25	25	25
e	mm	13	14	14	14	18	18	18	18	18
f	mm	5	6	6	6	7	7	7	7	7
g	mm	12	12	12	12	16	16	16	16	16
h	mm	8	-	-	-	9	9	9	9	9
i	mm	M6	M6	M6	M6	M8	M8	M8	M8	M8
m	mm	3.5	3.5	3.5	3.5	3.5	3.5	3.5	3.5	3.5
n	mm	9	7.5	7.5	7.5	10	10	10	10	10
n1	mm	5	6.5	6.5	6.5	8.5	8.5	8.5	8.5	8.5
o	mm	8.5	8.5	8.5	8.5	9	9	9	9	9
y	mm	10.5	12.5	14	32	32	32	32	115	115

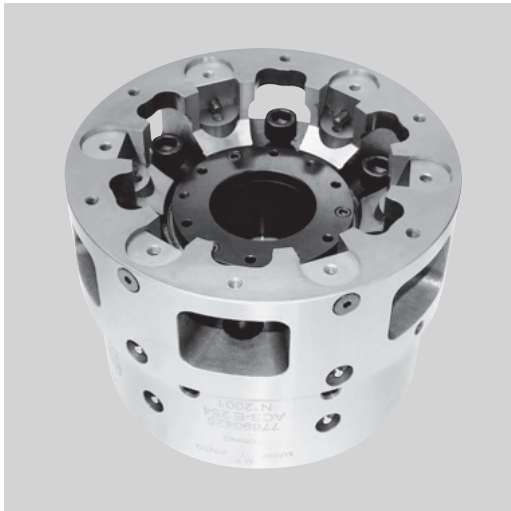
* Flange ISO-A on request.

ACS-E 6

Self centering column chuck

Self-centering column chuck with pull down Ø 200 - 450 mm

- Pull down
- Power operated via standard cylinders
- O.D. clamping



Application/customer benefits

- For small, medium and large quantities at high precision
- Pull down of the workpiece to the axial workstop during clamping
- Minimum loss of gripping force at high speed
- Standard, hardened jaw blanks available

Technical features

- Chuck body completely case hardened
- Openings in the chuck body to evacuate chips
- Central bore for coolant / air

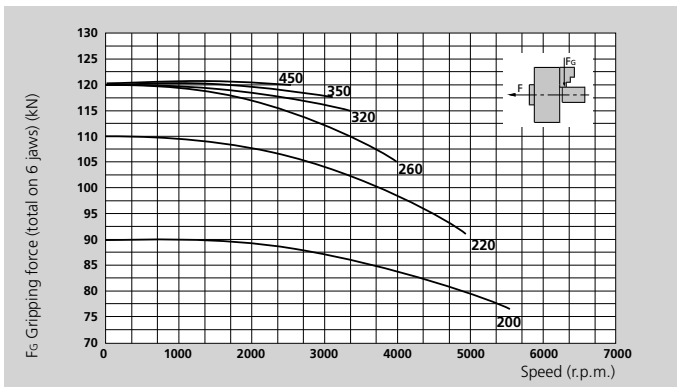
Standard equipment

6-jaw chuck
Mounting bolts

Ordering example

6-jaw column chuck
with center mounting Z170
type ACS-E 6 220 Z170

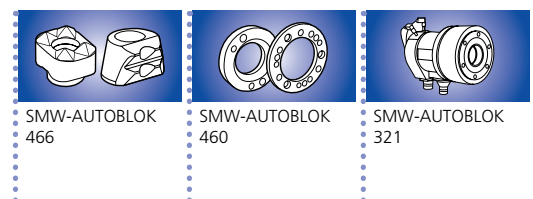
Actual gripping force diagram



The diagram refers to standard jaw blanks, machined to 50% of their mass.

Technical data

SMW-AUTOBLOK Type		ACS-E 6 200	ACS-E 6 220	ACS-E 6 260	ACS-E 6 320	ACS-E 6 350	ACS-E 6 450
Jaw stroke	mm	2.6	3.2	4	6	6	6
Piston stroke	mm	10	12	15	15	15	15
Actuating force max.	kN	40	50	50	65	65	65
Grip force max.	kN	90	110	120	120	120	120
Speed max.	r.p.m.	5500	4900	4300	3400	3100	2200
Weight	kg	30	35	50	75	90	130
Moment of inertia	kg·m ²	0.16	0.21	0.35	0.84	1	3
Clamping range	min.	30	50	90	90	120	210
Clamping range	max.	100	125	165	215	245	335
Rec. actuating cylinders	Type	SIN-S 100	SIN-S 125	SIN-S 125	SIN-S 125	SIN-S 125	SIN-S 125
Rec. actuating cylinders	Type	SIN-S 125	SIN-S 150	SIN-S 150	SIN-S 150	SIN-S 150	SIN-S 150
Chuck	Id. No.	77690420	77690422	77690425	77690432	77690435	77690445
Jaw blanks	Id. No.	69762040	69762240			69763210	



Self-centering column chuck with pull down

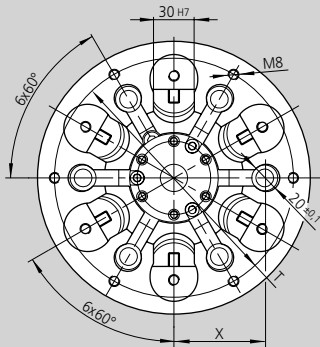
Ø 200 - 450 mm

- Pull down
- Power operated via standard cylinders
- O.D. clamping

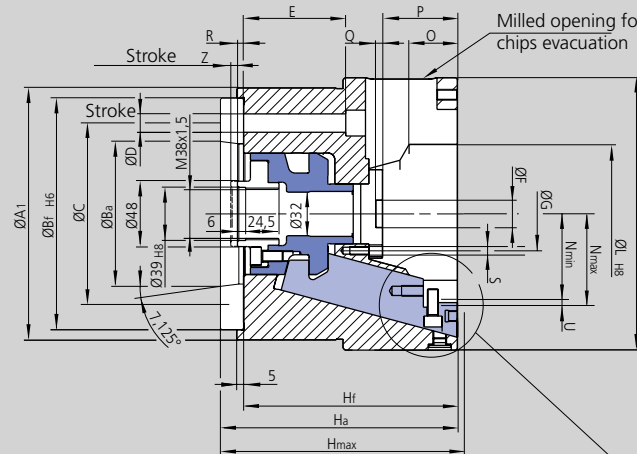
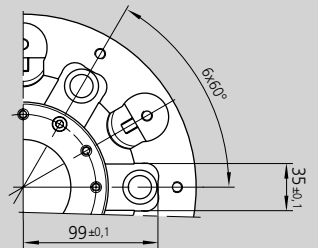
ACS-E 6

Self centering column chuck

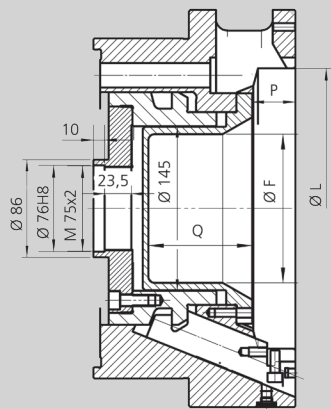
ACS-E 450



ACS-E 260

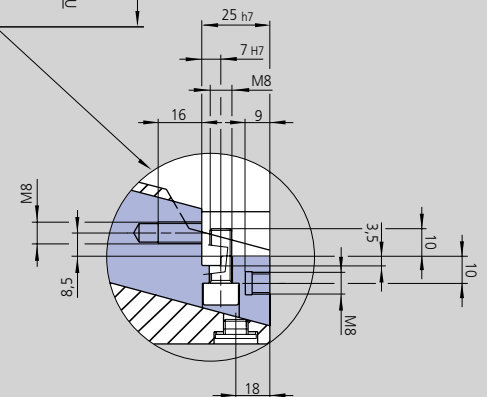


ACS-E 320-350-450



Media can be used through the chuck's bore.

Specials on request.



Subject to technical changes.
For more detailed information please ask our customer service.

SMW-AUTOBLOK Type		ACS-E 6 200	ACS-E 6 220	ACS-E 6 260	ACS-E 6 320	ACS-E 6 350	ACS-E 6 450
Mounting		ISO-A6 Z170	ISO-A6 Z170	ISO-A8 Z220	ISO-A11 Z280	ISO-A11 Z280	ISO-A15 Z380
	A	mm 200	mm 220	mm 260	mm 324	mm 354	mm 450
	A1	mm 185	mm 185	mm 235	mm 300	mm 300	mm 410
	Ba	mm 106.375	mm 106.375	mm 139.719	mm 196.869	mm 196.869	mm 285.775
	Bf	mm 170	mm 170	mm 220	mm 280	mm 280	mm 380
	C	mm 133.4	mm 133.4	mm 171.4	mm 235	mm 235	mm 330.2
	D	mm 13	mm 13	mm 17	mm 21	mm 21	mm 25
	E	mm 75	mm 75	mm 91	mm 97	mm 97	mm 97
	F	mm 20	mm 30	mm 70	mm 105	mm 131	mm 180
	G	mm 54	mm 68	mm 107	mm 154	mm 184	mm 270
	Hmax.	mm 179	mm 183	mm 198.5	mm 200.5	mm 200.5	mm 200.5
	Ha	mm 174	mm 177	mm 191	mm 193	mm 193	mm 195
	Hf	mm 157	mm 160	mm 172	mm 172	mm 172	mm 172
	L	mm 102	mm 126	mm 167	mm 217	mm 247	mm 336
	Nmin.	mm 66.3	mm 76.6	mm 97	mm 123	mm 138	mm 182
	Nmax.	mm 63.7	mm 73.4	mm 93	mm 117	mm 132	mm 176
	O	mm 32	mm 33	mm 34	mm 33	mm 33	mm 33
	P	mm 55	mm 50.5	mm 40	mm 38	mm 38	mm 38
	Q	mm 7	mm 7	mm 65.5	mm 91.5	mm 91.5	mm 90
	R	mm 4.5	mm 3.5	mm 2	mm 6	mm 6	mm 6
	S	mm 6 x M6	mm 6 x M6	mm 6 x M6	mm 6 x M6	mm 6 x M6	mm 6 x M6
	T	mm 175	mm 190	mm 226	mm 290	mm 320	mm 405
Stroke	U	mm 2.6	mm 3.2	mm 4	mm 6	mm 6	mm 6
Stroke	Z	mm 10	mm 12	mm 15	mm 15	mm 15	mm 15
	X	mm 66.7	mm 72	-	-	-	-
	W	mm 5	mm 5	mm 5	mm 6	mm 6	mm 6

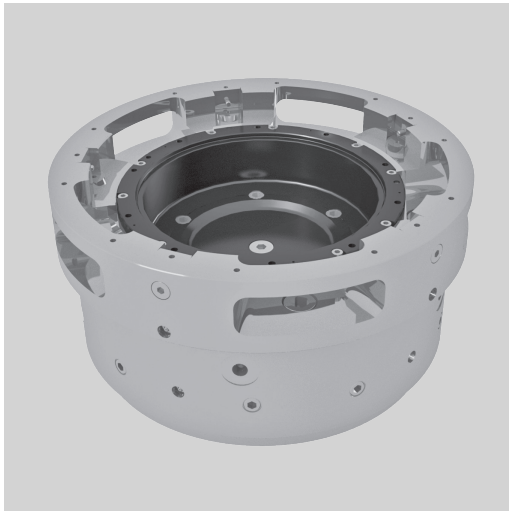
ACS-E 5

Self centering
column chuck

Self-centering column chuck with pull down

Ø 520 mm

- Pull down
- Power operated via standard cylinders
- O.D. clamping



Application/customer benefits

- For small, medium and large quantities at high precision
- Pull down of the workpiece to the axial workstop during clamping
- Minimum loss of gripping force at high speed
- Jaws on request

Technical features

- Chuck body completely case hardened
- Openings in the chuck body to evacuate chips
- Central bore for coolant / air

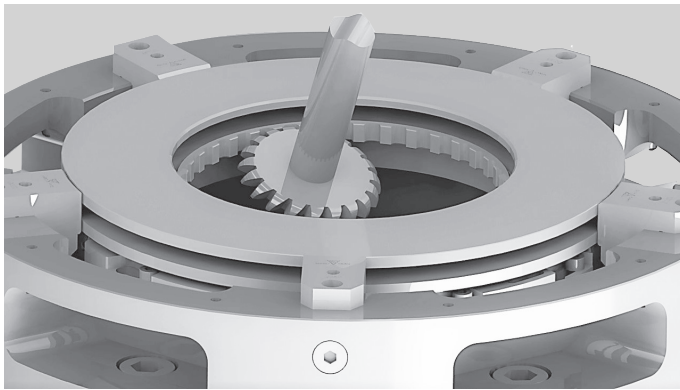
Standard equipment

5-jaw chuck
Mounting bolts

Ordering example

5-jaw column chuck
with center mounting Z450
type ACS-E 5 520 Z450

Precise distribution of clamping forces



5-jaw model assures a very precise distribution of the clamping forces, since there's no contrast of two opposite jaws on the same axis.

Suitable for the following parts machining:

- Ring gears
- Shafts with internal and external gears
- Keys or single-gear components with external gear wheels and internal keys

Technical data

SMW-AUTOBLOK Type		ACS-E 5 520
Jaw stroke	mm	4
Piston stroke	mm	15
Actuating force max.	kN	20
Grip force max.	kN	48
Speed max.	r.p.m.	1000
Weight	kg	259
Moment of inertia	kg·m ²	9
Clamping range	min.	265
Clamping range	max.	420
Rec. actuating cylinders	Type	SIN-S 125
Rec. actuating cylinders	Type	SIN-S 150
Chuck	Id. No.	on request
Jaw blanks	Id. No.	on request

Self-centering column chucks with pull down

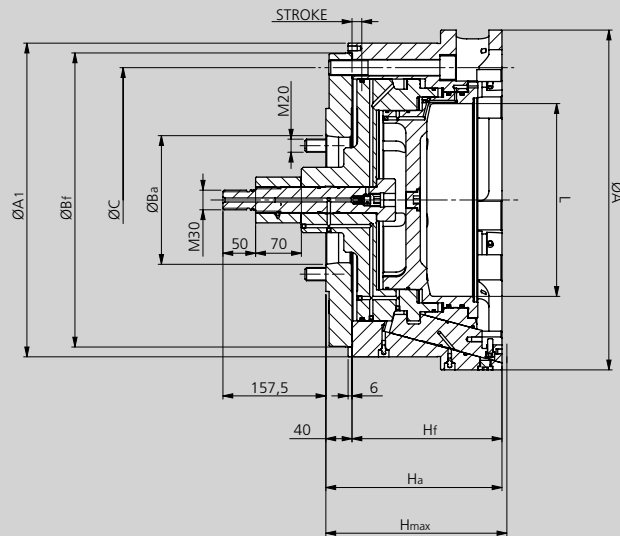
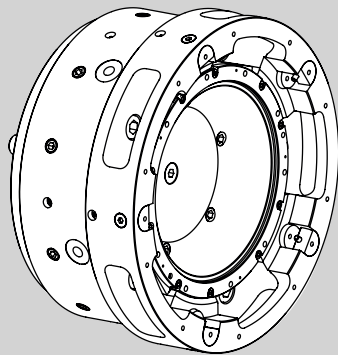
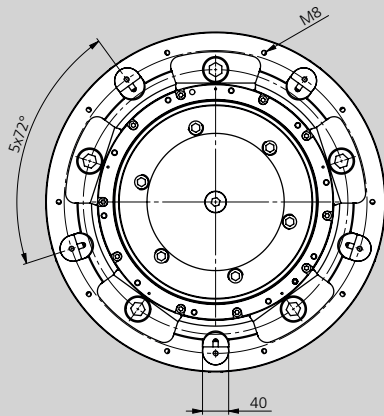
Ø 520 mm

- Pull down
- Power operated via standard cylinders
- O.D. clamping

ACS-E 5

Self centering column chuck

ACS-E 520



Subject to technical changes.
For more detailed information please ask our customer service.

SMW-AUTOBLOK Type		ACS-E 5 520
Mounting		ISO-A11 Z450
A	mm	520
A1	mm	480
Ba	mm	196.869
Bf	mm	450
C	mm	405
H max.	mm	277
Ha	mm	270.5
Hf	mm	229
L	mm	295
Stroke	mm	15

ACS-I 3 / 6

Self centering
column chuck

Self-centering column chuck with pull down Ø 130 - 300 mm

- Pull down
- Power operated via standard cylinders
- I.D. clamping



Application/customer benefits

- For small, medium and large quantities at high precision
- Pull down of the workpiece to the axial workstop during clamping
- Minimum loss of gripping force at high speed
- Standard, hardened jaw blanks available

Technical features

- Chuck body completely case hardened
- Openings in the chuck body to evacuate chips
- Central bore for coolant / air

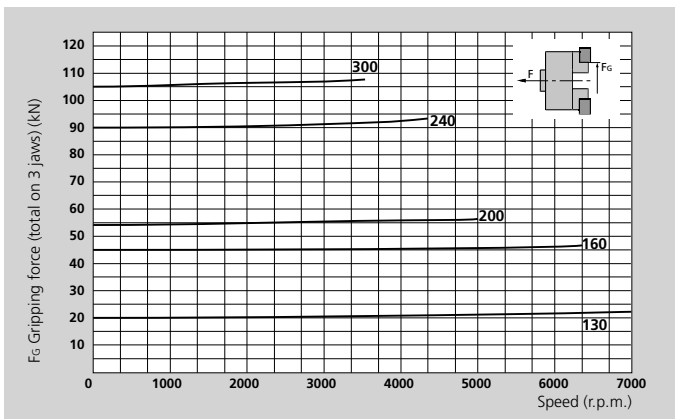
Standard equipment

3- or 6-jaw chuck
Mounting bolts

Ordering example

3-jaw column chuck
with center mounting Z115
type ACS-I 130-3-Z-115

Actual gripping force diagram



The diagram refers to standard jaw blanks,
machined to 50% of their mass.

Technical data

SMW-AUTOBLOK Type		ACS-I 130	ACS-I 160	ACS-I 200	ACS-I 240	ACS-I 300
Number of jaws		3	3	3	6	6
Jaw stroke	mm	2.6	4.4	4.4	4.4	4.4
Piston stroke	mm	10	11	11	11	11
Actuating force max.	kN	10	25	30	50	60
Grip force max.	kN	20	45	54	90	105
Speed max.	r.p.m.	7000	6300	5000	4300	3500
Weight	kg	10	12	20	30	55
Moment of inertia	kg·m ²	0.02	0.03	0.1	0.2	-
Clamping range	min.	65	92	110	144	210
Clamping range	max.	100	140	200	232	280
Rec. actuating cylinder	Type	SIN-S 70	SIN-S 85	SIN-S 100	SIN-S 125	SIN-S 125
Rec. actuating cylinder	Type	SIN-S 85	SIN-S 100	SIN-S 125	SIN-S 150	SIN-S 150
Chuck	Id. No.	77690613	77690616	77690620	77690624	77690930
Jaw blanks	Id. No.	69761360	69761660	69762060	69762490	69763090

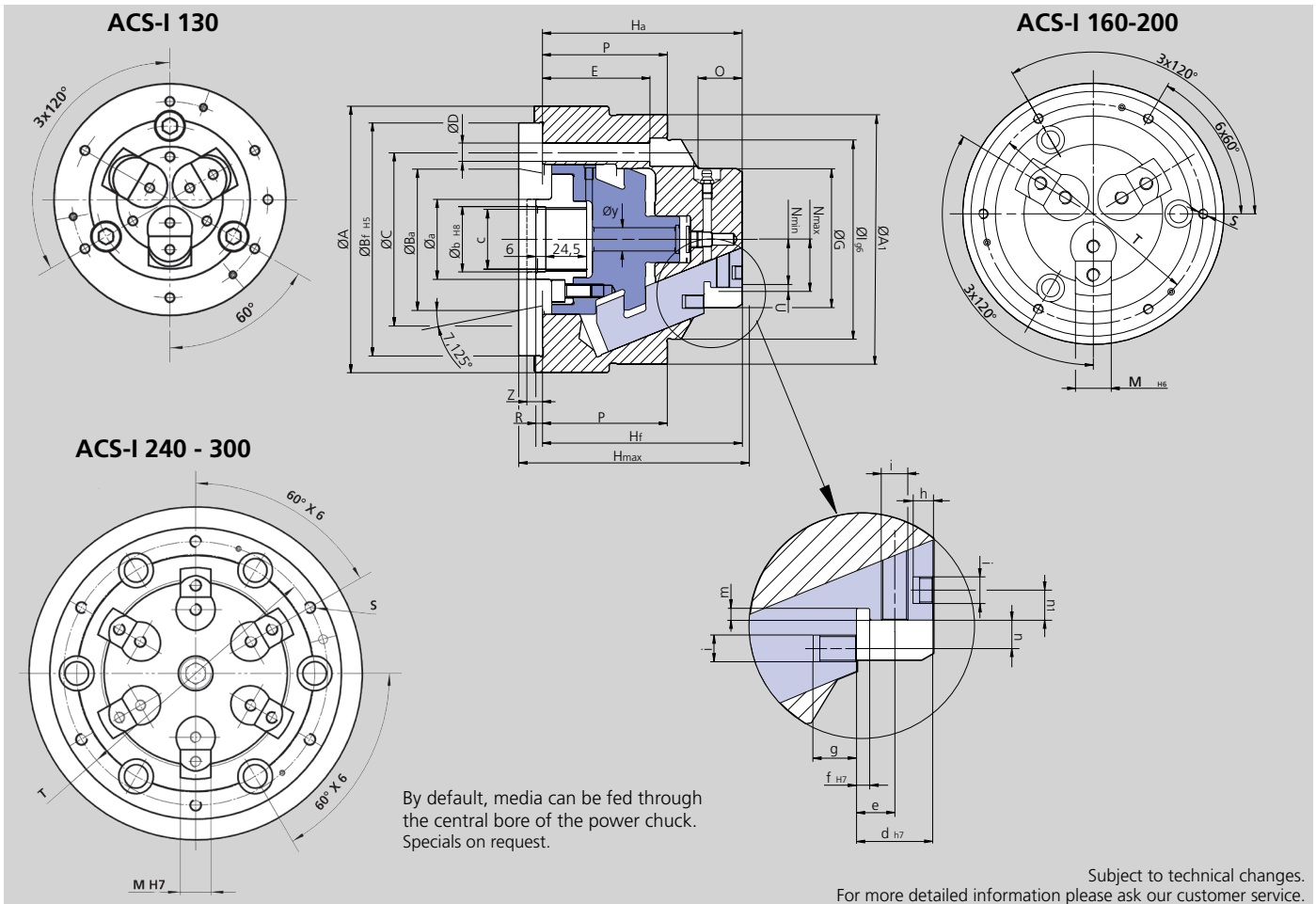


Self-centering column chuck with pull down Ø 130 - 300 mm

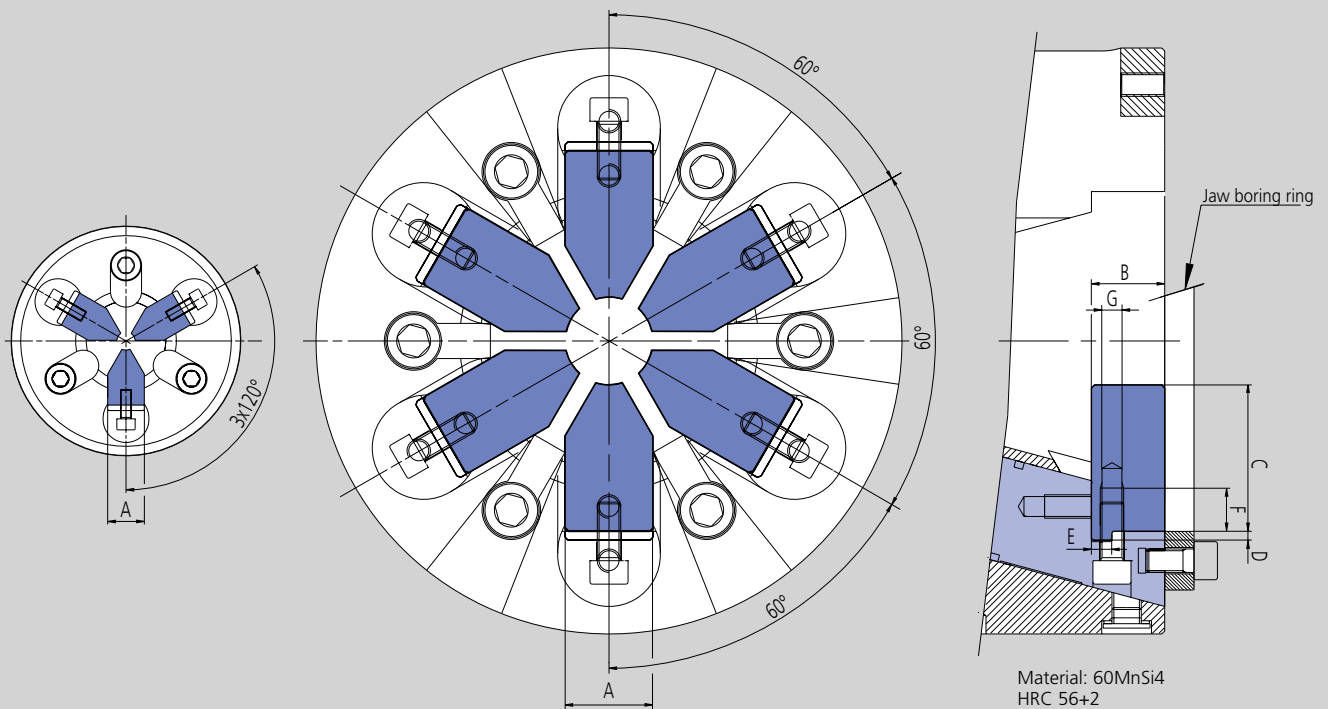
- Pull down
- Power operated via standard cylinders
- I.D. clamping

ACS-I 3 / 6

Self centering
column chuck



SMW-AUTOBLOK Type		ACS-I 3 130	ACS-I 3 160	ACS-I 3 200	ACS-I 6 240	ACS-I 6 300	
Number of jaws		3	3	3	6	6	
Mounting		ISO-A4 Z115	ISO-A5 Z140	ISO-A6 Z170	ISO-A8 Z220	ISO-A11 Z280	
	A/A1	mm	130 / 130	160 / 150	200 / 170	240 / 210	300 / 275
	Ba	mm	63.513	82.563	106.375	139.719	196.869
	Bf	mm	115	140	170	220	280
	C	mm	82.6	104.8	133.4	171.4	235
	D	mm	11	11	13	17	21
	E	mm	55	64.5	62	68.5	64.5
	G	mm	59.5	85	103	136	200
	Hmax.	mm	130	140.5	147.5	154.5	156.5
	Ha	mm	125	135	142	149	151
	Hf	mm	112	120	125	130	130
	I	mm	90	120	140	170	232
	M	mm	24	22	22	22	22
	Nmin./max.	mm	19.2 / 21.8	26.8 / 31.2	36.3 / 40.7	52.8 / 57.2	84.8 / 89.2
	O	mm	27.5	26.5	27	27	27
	P	mm	67	75	80	85	85
	R	mm	18	4	4	4	8
	S	mm	M6	M6	M6	M8	M8
	T	mm	110	135	155	190	255
Stroke	U	mm	2.6	4.4	4.4	4.4	4.4
Stroke	Z	mm	10	11	11	11	11
	a	mm	36	48	48	48	86
	b	mm	29	39	39	39	76
	c	mm	M28 x 1.5	M38 x 1.5	M38 x 1.5	M38 x 1.5	M75 x 2
	d	mm	20	23	23	23	23
	e	mm	9.5	11.5	11.5	11.5	11.5
	f	mm	4	4	4	4	4
	g	mm	12	13	13	13	13
	h	mm	-	6	6	6	6
	i	mm	M6	M8	M8	M8	M8
	m	mm	3.5	3.5	3.5	3.5	3.5
	n	mm	7.5	8.5	8.5	8.5	8.5
	n1	mm	7.5	9	9	9	9
	y	mm	14	14	32	32	115



Subject to technical changes.
For more detailed information please ask our customer service.

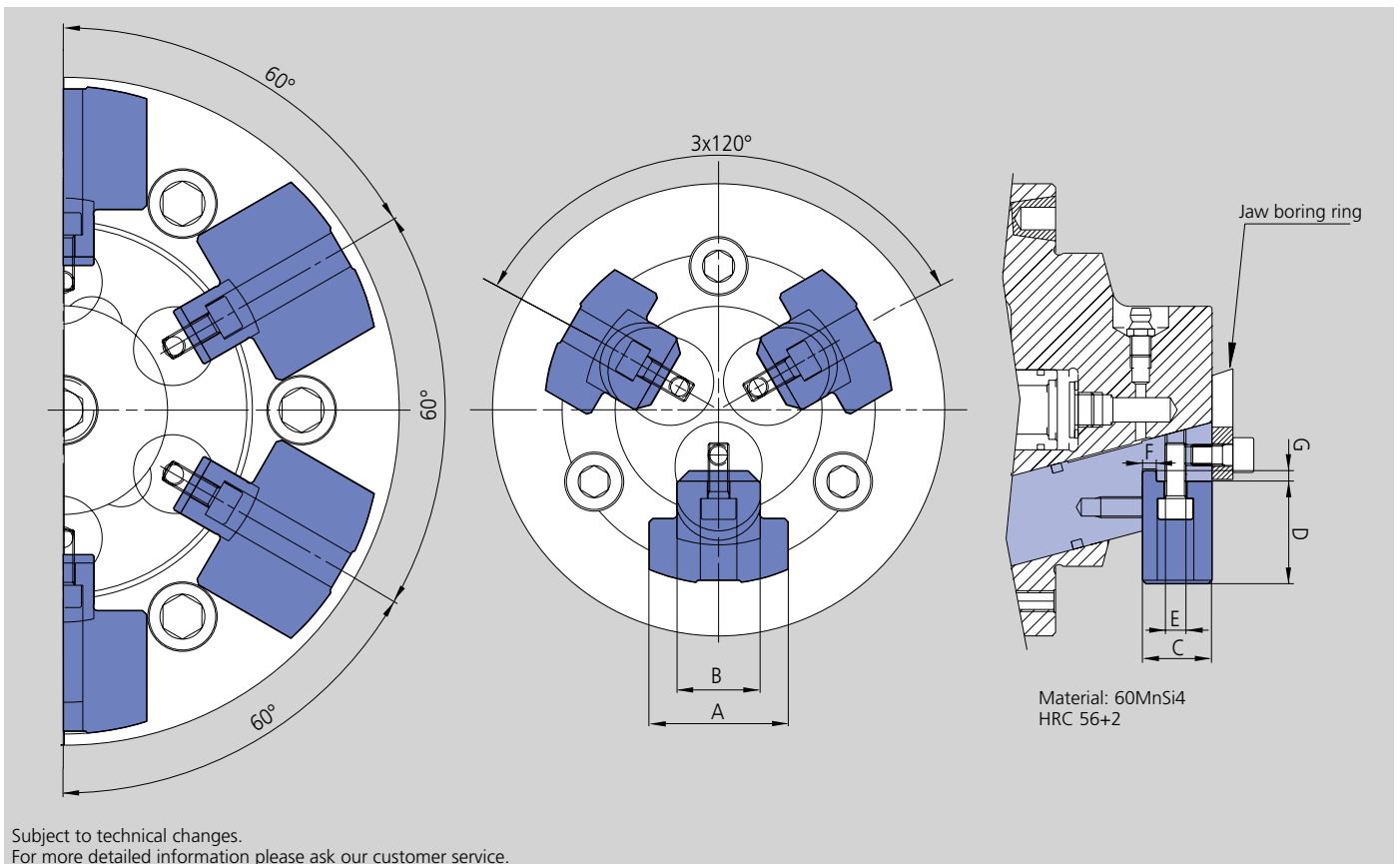
SMW-AUTOBLOK Type ACS-E		110	130	145	170	200	220	260	320	350	450
Number of jaws		3	3	3	3	3 / 6	3 / 6	3 / 6	3 / 6	3 / 6	3 / 6
	A h6	18	20	20	20	30	30	30	30	30	30
	B	18	20	20	20	25	25	25	25	25	25
	C	29.5	30	35	40	50	50	50	75	75	75
	D	3	3	3	3	3	3	3	3	3	3
	E g6	5	6	6	6	7	7	7	7	7	7
	F	13	13	13	13	15	15	15	15	15	15
	G	M6	M6	M6	M6	M8	M8	M8	M8	M8	M8
Rec. clamping range											
	min.	4	10	20	30	30	50	90	90	120	208
	max.	45	50	70	95	100	125	165	215	245	335
Jaw blanks (1 set = 3 pcs.)	Id. No.	69761110	69761310	69761410	69761710	69762010*	69762210*	69762210*	69763210*	69763210*	-
Boring ring	Id. No.	69111110	69111310	69111410	69111710	69112040	69112240	69112540	69113240	69113540	69114540

* For 6-jaw chucks use 2 set of 3 pcs.



■ For 3 and 6 jaw chucks

Jaws



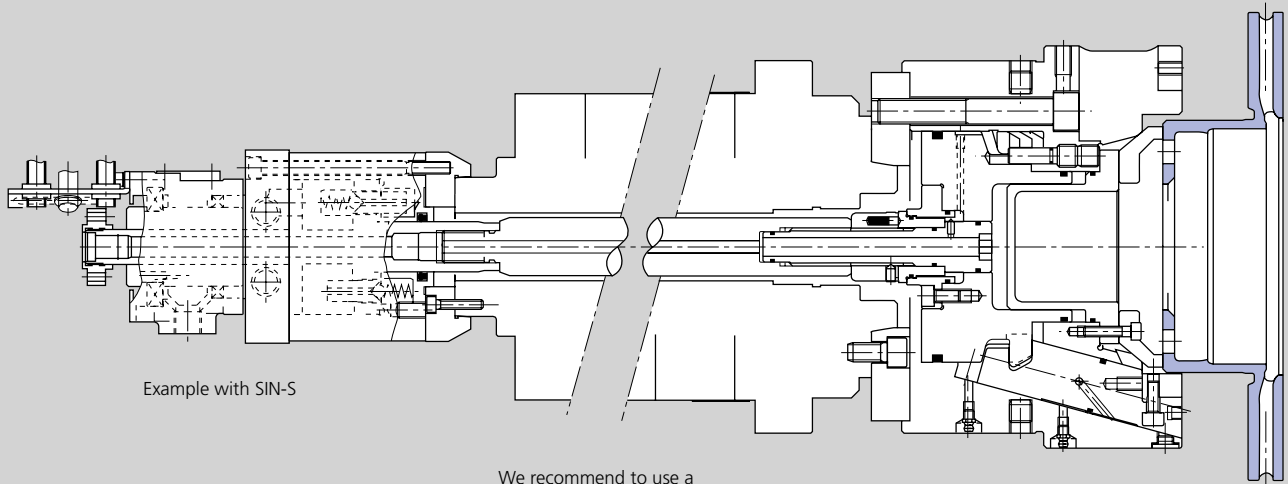
Subject to technical changes.
For more detailed information please ask our customer service.

SMW-AUTOBLOK Type ACS-I		ACS-I 130	ACS-I 160	ACS-I 200	ACS-I 240	ACS-I 300
Number of jaws		3	3	3	6	6
	A	40	40	60	60	60
	B h6	24	22	22	22	22
	C	20	23	23	23	23
	D	29.5	41	61.5	61.5	53
	E	3 x M6	3 x M8	3 x M8	3 x M8	6 x M8
	F g6	4	4	4	4	4
	G	3	3	3	3	3
Rec. clamping range	min.	65**	92	110	144	210
Rec. clamping range	max.	100	140	200	232	280
Jaw blanks (set of 3 or 6 pieces)	Id. No.	69761360	69761660*	69762060*	69762490*	69763090*
Boring ring	Id. No.	69111360	69111660	69112060	69112490	69113090

* Identical for size 160-200-240-300.

** Min. 60 with special jaws and mounting bolts.

ACS-E e.g. OP10 „Machining brake disc“

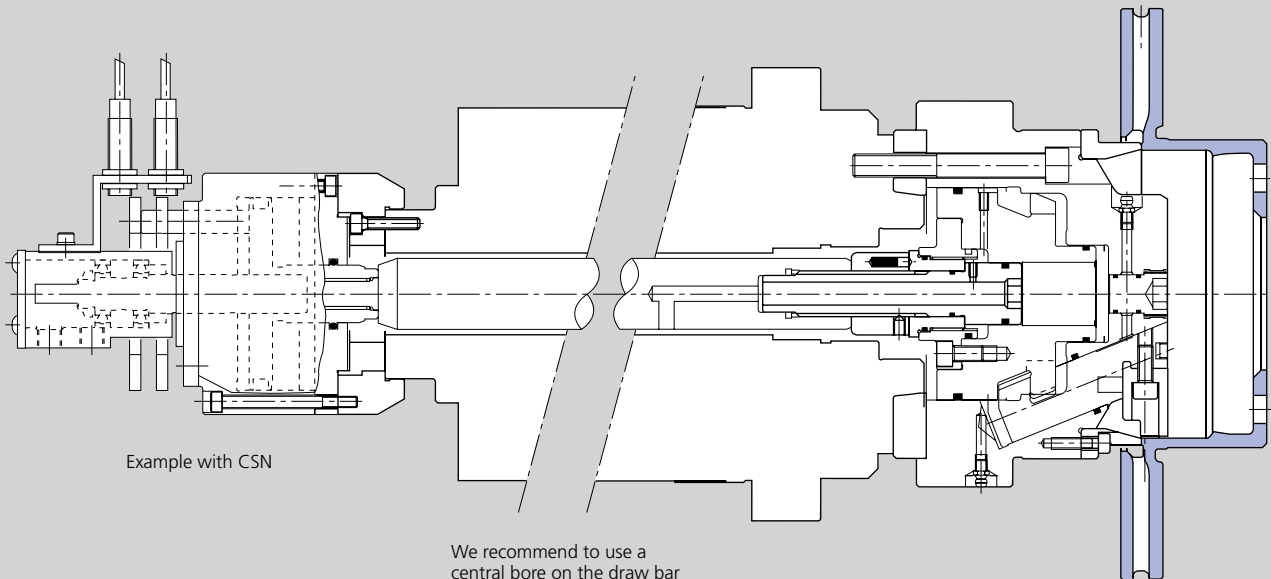


Example with SIN-S

We recommend to use a central bore on the draw bar

Subject to technical changes.
For more detailed information please ask our customer service.

ACS-I e.g. OP20 „Machining brake disc“



Example with CSN

We recommend to use a central bore on the draw bar

Front workstop with air sensing or airblast

Subject to technical changes.
For more detailed information please ask our customer service.

Diaphragm chucks



Page 248

D

Diaphragm chuck - quick jaw change

- Ø 160 - 400 mm
- O.D. or pitch line clamping
- Centrifugal force compensation
- **proofline® chucks** = fully sealed - low maintenance



Page 251

SIN-DFR

Closed center Rotating hydraulic cylinder

- Special cylinder to actuate diaphragm chuck
- Up to 70 bar
- Large piston area for opening
small piston area for clamping
- Central bore for air / coolant, 1 or 2 media
- Stroke control via LPS 4.0



Page 252

D-KOMBI®

Diaphragm chuck with pull-down fingers jaw / pull-down finger quick change

- Ø 210 - 400 mm
- Radial and axial clamping
- Flat gripping force curve
- **proofline® chucks** = fully sealed - low maintenance



Page 255

ZHVD-DFR

Double piston Rotating hydraulic cylinder

- Special cylinder to actuate diaphragm D-KOMBI chucks
- Up to 60 bar
- 1 piston for actuating diaphragm
- 1 piston for actuating axial clamping
- Central bore for air / coolant, 1 or 2 media
- Stroke control via 2 x LPS 4.0



Page 256

D-PLUS

Diaphragm chuck - open center

- Ø 260 - 315 mm
- Radial O.D. or pitch line clamping
- With through-hole
- Centrifugal force compensation
- **proofline® chucks** = fully sealed - low maintenance



Page 258

D-Vario

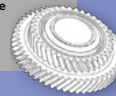
Diaphragm chuck

- Ø 215 mm
- Radial fine adjustment of the center line
- Key Lock System = Quick positioning of jaws
for gears with different number of teeth
- Modular system with jaws for pitch line
or outside clamping
- **proofline® chucks** = fully sealed - low maintenance

D-Vario Configurator

free application to configurate
your set up

www.smw-autoblok.de



Page 265

RU-2-20

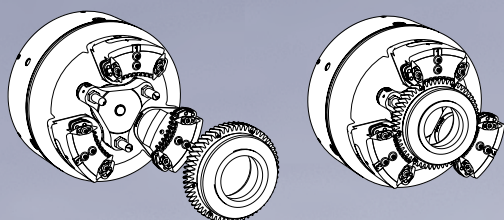
Rotary union for 2 media for double piston rotating cylinder ZHVD-DFR

- Universal for air, oil or coolant

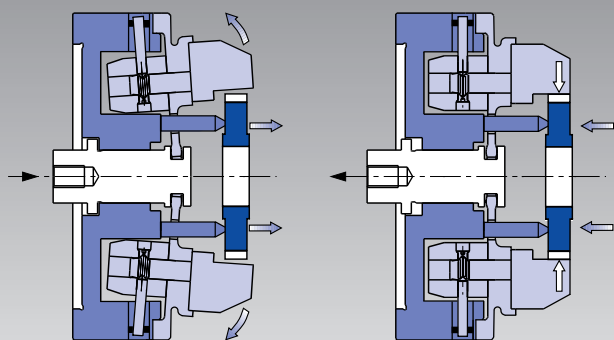
Diaphragm clamping technology with quick jaw change at its best - for hard turning, grinding, high precision turning

D-160 – 400

proofline® series
fully sealed – low maintenance



Operation of diaphragm system



The ultimate, easy principle:

The operation is based on elastic deformation of the diaphragm - this means

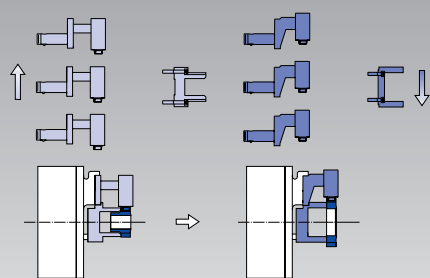
- no sliding parts
- no friction
- centrifugal force compensation
- **proofline® series** = fully sealed - low maintenance

Jaws are factory finished and match any chuck with no loss of concentricity.

No need to grind or bore jaws on the chuck anymore!
TIR < 0.020 mm

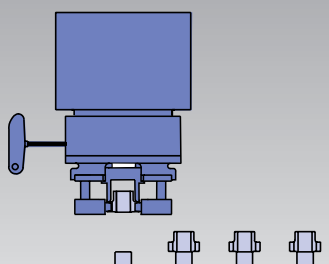
Setup time < 4 minutes

for jaws and locators
TIR < 0.020 mm without boring / grinding



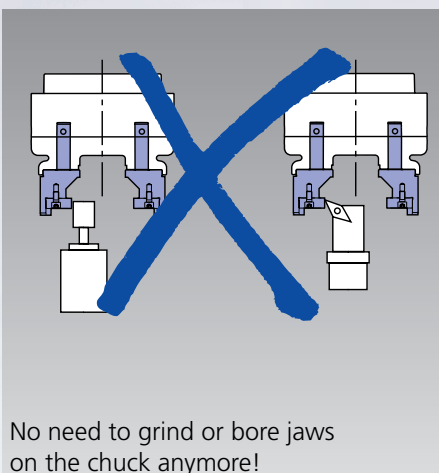
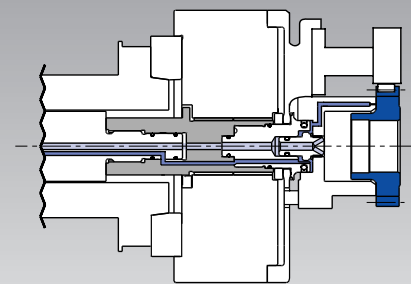
Ideal for PICK-UP machines

Radial access for quick change mechanism

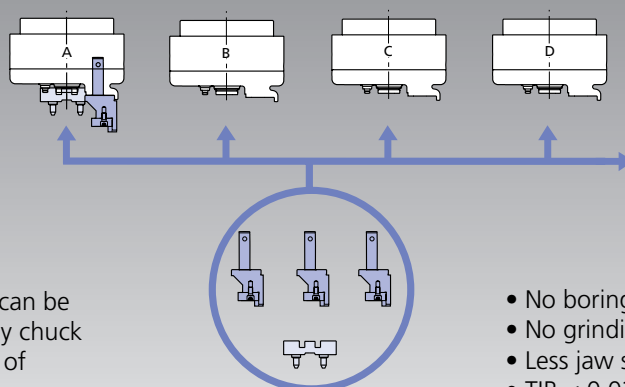


Media feed

Air sensing + air blow / coolant



Full interchangeability of the jaws



Any jaw set can be put on to any chuck without loss of concentricity

- No boring
- No grinding
- Less jaw sets needed
- TIR < 0.020 mm

Clamping glossary

ABS® connection: A connecting system developed by Komet for highest rigidity and accuracy. A version of this proven design is used for the quick jaw change on the **Type D** chuck.

Centrifugal force compensation: Underneath the diaphragm, counter balance weights are mounted which are connected to the clamping jaws. They completely compensate the centrifugal force caused by the jaws.

Roller cage clamping: Floating rollers are held in a roller cage. They extend from the location face of the clamping insert. In principle the workpiece is clamped like an external clamping but the steel rollers clamp in the pitch line. Special jaws with roller cages have been developed for the **Type D**. Since the clamping force is spread equally onto multiple tooth gaps easily deformed components can be clamped with less distortion.

Air sensing: Air is fed through the contact face of the work stop. When the workpiece is in contact with the work stop the airflow is stopped and converted into a signal. If the component is not correctly

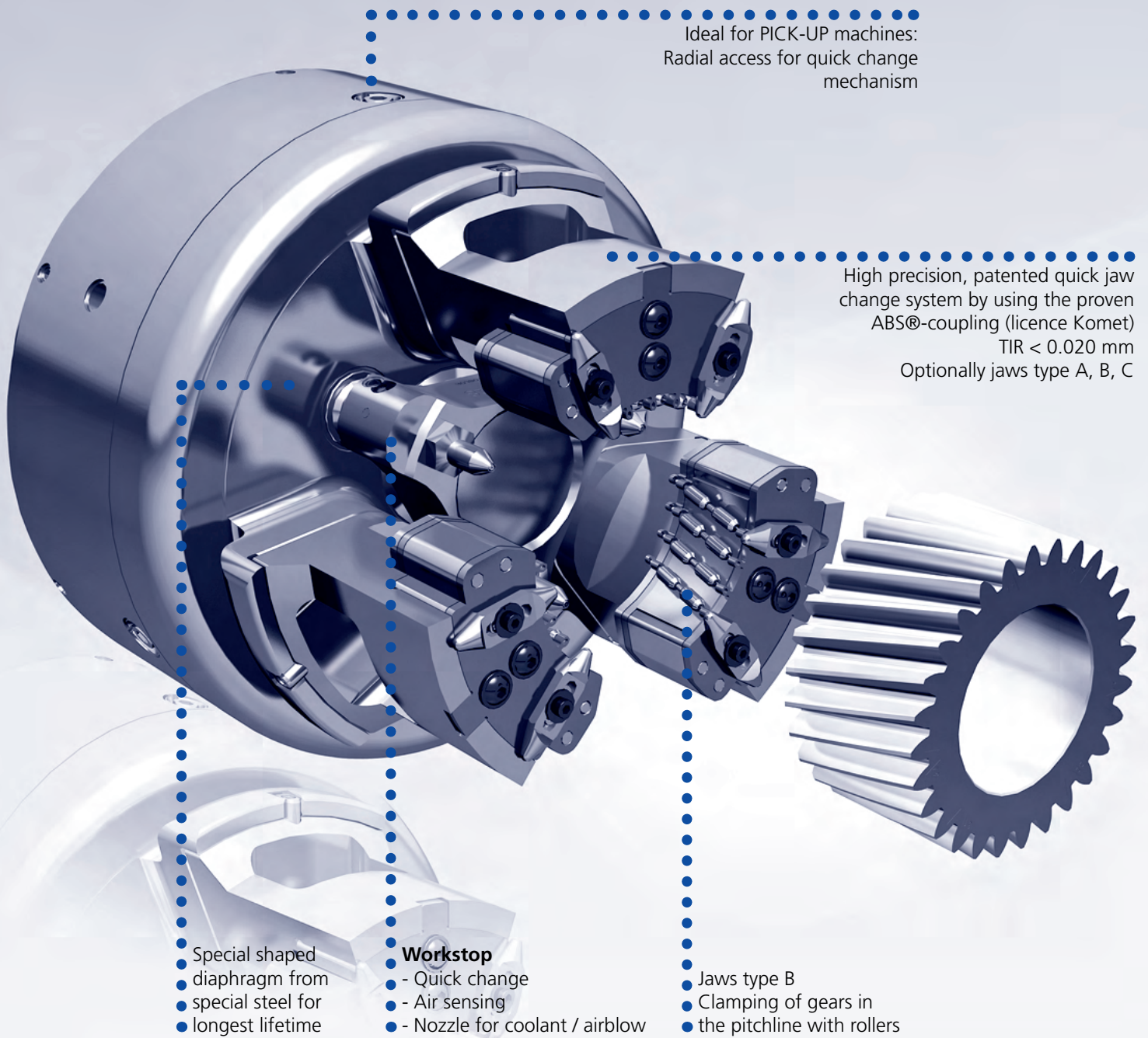
positioned or is lifted, the machine can not start or the spindle is stopped. This important feature is standard on all **Type D** chucks.

Medium supply: Coolant or air to clean / cool during the machining process come through the machine spindle/chuck. This important feature is also standard on all **Type D** chucks.

Diaphragm clamping technology: It is based on the elastic deformation of the diaphragm (like a large belleville washer). There are no sliding parts and the mechanism is completely maintenance free. The specially and patented diaphragm of the **Type D** allows a constant fine regulatable clamping force with the highest precision.

Pre-locaters: These protect the clamping pins during engagement into the serration especially during automatic loading.

Pitch line clamping: Clamping gears in the pitch line with clamping pins, the radial datum for the bore to be machined is the pitch line. According to the application and customers request jaws with clamping pins to clamp in the pitch line are offered.



Ideal for PICK-UP machines:
Radial access for quick change mechanism

High precision, patented quick jaw change system by using the proven ABS®-coupling (licence Komet)
TIR < 0.020 mm
Optionally jaws type A, B, C

Special shaped diaphragm from special steel for longest lifetime

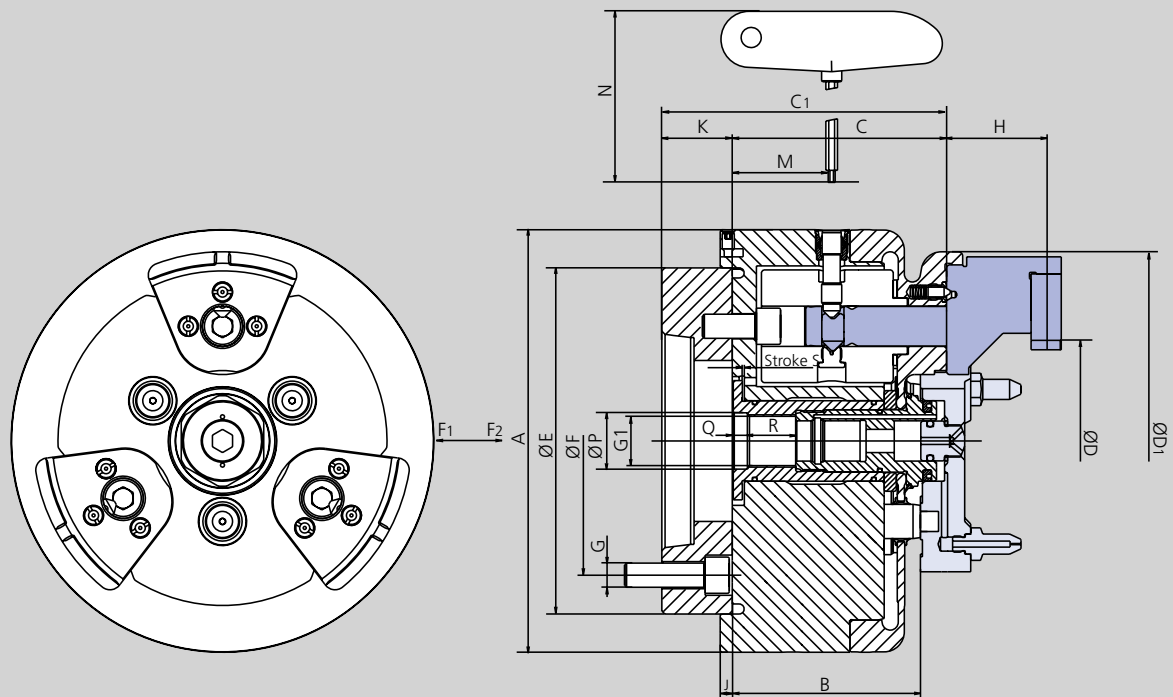
Workstop
 • - Quick change
 • - Air sensing
 • - Nozzle for coolant / airblow

• Jaws type B
 • Clamping of gears in the pitchline with rollers

D

Diaphragm chuck QUICK JAW CHANGE SYSTEMS

Main dimensions and technical data



Subject to technical changes.
For more detailed information please ask our customer service.

SMW-AUTOBLOK Type			D 160		D 210		D 260		D 315		D 400	
Mounting	Size		A5	A6	A5	A6	A6	A8	A8	A8	A8	A11
	A	mm	160		210		260		315		400	
	B	mm	79.5		93.5		108		111		118	
	C	mm	86.5		106.5		120		125		131	
	C1**	mm	116.5		146.5		156		173		181	
Clamping range min. / max.	D	mm	19-131		20-171		40-220		60-275		146-348	
	D1	mm	143		188		227		275		354	
	E	mm	130		172		225		275		350	
	F	mm	104.8	133.4	104.8	133.4	133.4	171.4	171.4	171.4	235	235
	G		M10	M12	M10	M12	M12	M16	M16	M16	M16	M20
	G1		M20 x 1.5		M26 x 1.5		M26 x 1.5		M30 x 1.5		M30 x 1.5	
Jaw height	H	mm	40.5		52		62		64		64	
	J	mm	6		6		6		6		6	
	K**	mm	30		40		48		48		50	
	M	mm	40.9		49.4		53		57		60.9	
	N	mm	185		185		185		185		185	
	P H8	mm	21		28		28		32		32	
	Q	mm	5.9		7		7		7		7	
	R	mm	22.3		24		24		29.5		34.5	
Piston stroke	S	mm	0.9		1.0		1.5		1.7		1.5	
Jaw stroke at distance H			0.93		1.0		1.1		1.2		0.87	
Draw pull min. / max.*	F1	kN	0-10		0-25		0-25		0-25		6-25	
Draw push for chuck open	F2	kN	13		30		30		30		20	
Moment of inertia		kg·m ²	0.04		0.16		0.45		0.75		2.09	
Weight without top tooling		kg	11.6		30		44		60		104	
Recommended actuating cylinders	Type		SIN-DFR		SIN-DFR		SIN-DFR		SIN-DFR		SIN-DFR	

* Additional actuation force to the diaphragm spring clamping force applied by the clamping cylinder.

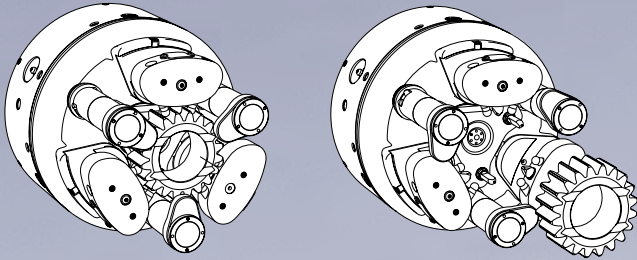
** Rec. dimensions, exact dimensions are depending on the machine.

Advice: The max. allowed speed for the application is permanently marked on the corresponding top jaws and must not be exceeded.

Advice: Please note, that it is important, that the cylinder force for pushing and pulling can be set to different values independently.

Important: Never rotate the chuck without inserted jaws, otherwise the centrifugal force compensation mechanism will get damaged.

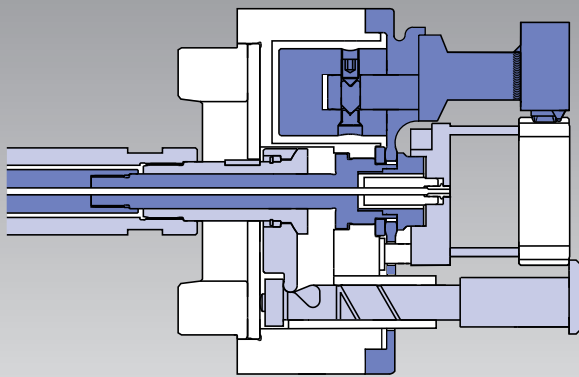
Clamping of easily deformed / thin walled workpieces for hard turning or grinding



D-KOMBI®

proofline® series
fully sealed – low maintenance

Principle of D-KOMBI®

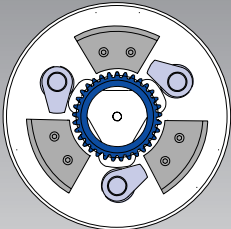


- Radial centering / clamping of the work piece with the diaphragm jaws, with quick jaw change system (same principle / characteristic as D-chuck page 248, however with additional face clamping)
- Axial clamping with swing clamps with axial compensation
- Actuation with double piston cylinder
Separate actuation of the diaphragm jaws and the axial swing-clamps

Jaws are factory finished and match any chuck with no loss of concentricity

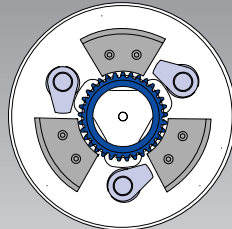
**No need to grind or bore jaws on the chuck anymore!
TIR < 0.020 mm**

1. Loading



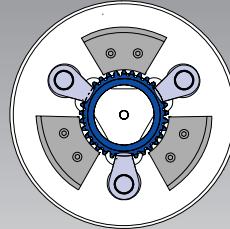
Centering jaws open.
Swing-clamps open / swivel outwards

2. Centering



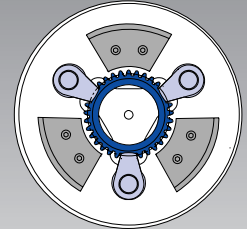
Centering jaws clamped

3. Clamping



Swing-clamps swivel inward + clamp axially. Centering jaws open (if requested)

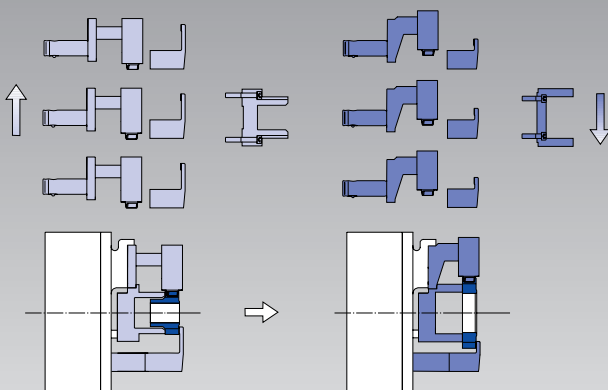
4. Machining



Centering jaws open or closed

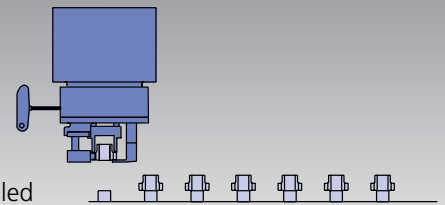
Set-up time 5 minutes

for jaws, swing-clamps and workstop change
TIR < 0.020 mm without boring/grinding

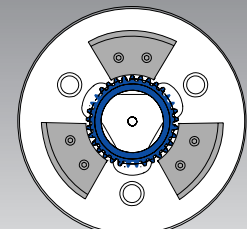


Ideal for PICK-UP machines

Easy to operate,
low maintenance,
chuck completely sealed



Radial clamping only is also possible = function like D-chuck



Swing clamps are not mounted

Clamping glossary

Radial clamping: Self-centering clamping of work pieces on the outside diameter. Depending on the necessary clamping force to drive the parts during machining thin walled components can be easily deformed.

Axial clamping: Clamping of workpieces on their face sides. This method is used for thin walled components. The radial deformation of the diameter to be machined can be eliminated. However, this is not self-centering clamping so the work piece has to be positioned concentric.

Kombi clamping: Chucks with centering jaws for centering the workpiece with the diaphragm and axial clamping with swing clamps. After the work piece is clamped with a swing-clamp, the centering jaws can be opened (double piston cylinder necessary).

The **D-KOMBI** with quick jaw change ideally fulfills these requirements. The proven design of the **D-CHUCK** is maintained completely. Additionally an axial clamping drive is integrated.

If requested the **D-KOMBI** can also be used just for radial clamping. In this case no clamping fingers are mounted and the clamping force is regulated by adjusting the pressure on the clamping cylinder.

Double piston cylinder: These are cylinders with two independent pistons. Piston A drives the swing-clamps, piston B releases the diaphragm or regulates the clamping force of the diaphragm. Depending on the application, it may be necessary to have the pressure in the supply lines for piston surfaces A / B / C / D individually adjustable by individual pressure regulating valves. The SMW-AUTOBLOK double piston cylinder **ZHVD-DFR** is specially designed for this application. Different rotating unions for 1 or 2 media (as an example air sensing and coolant) can be mounted to the standard cylinder.

- Special shaped diaphragm from special steel for longest lifetime

- Ideal for PICK-UP machines:
- Radial access for quick change mechanism

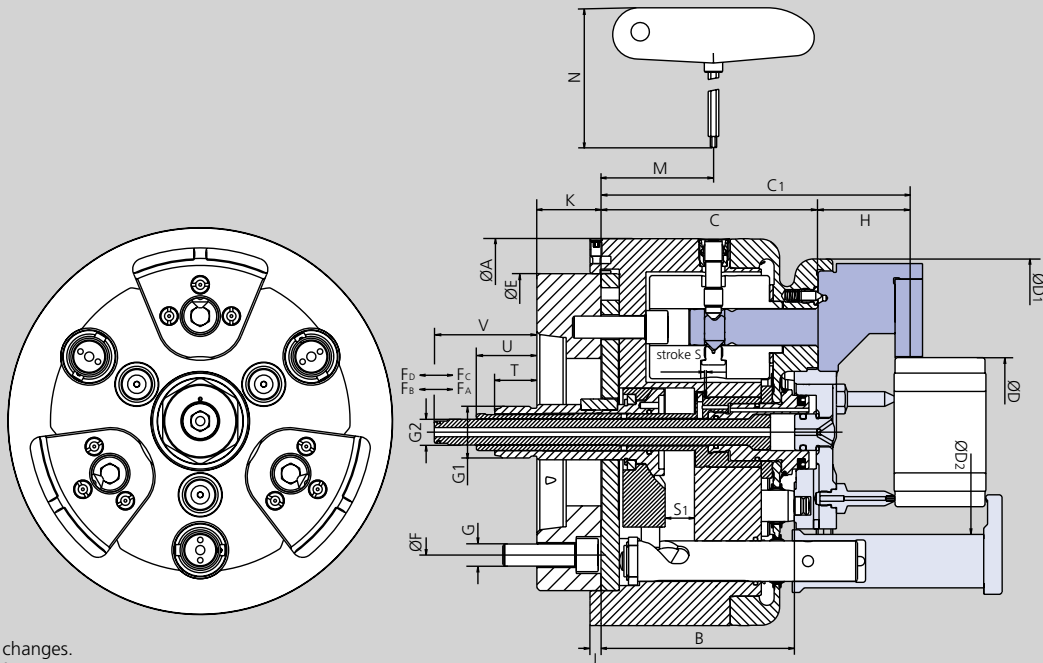
High precision, patented quick jaw change system by using the proven ABS®-coupling (licence Komet)
TIR < 0.020 mm
Optionally jaws type A, B, C

Prelocator pin jaw type C

- Clamping tooth jaws Type C
- Clamping of gears in the pitchline

- Quick change of swing clamps via bajonet

- **Workstop**
- - Quick change
- - Air sensing
- - Nozzle for coolant / airblow



Subject to technical changes.
For more detailed information please ask our customer service.

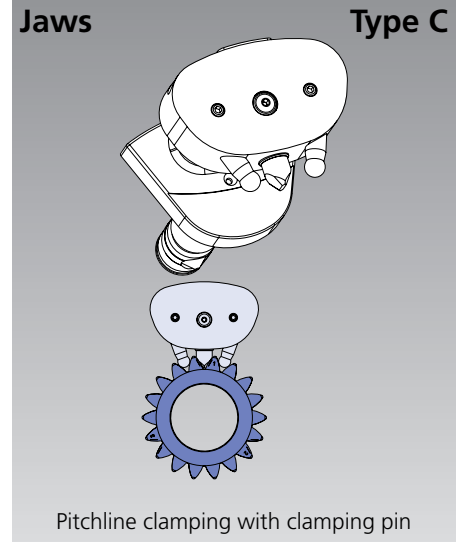
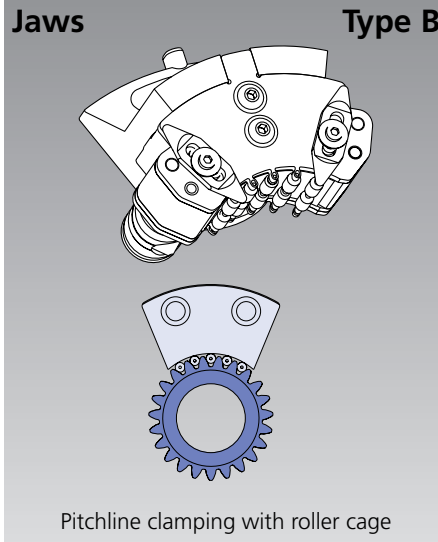
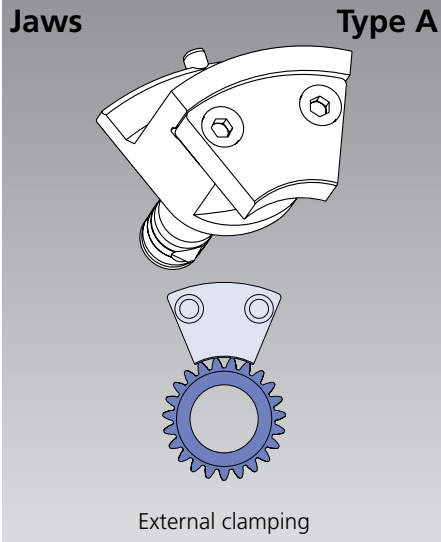
SMW-AUTOBLOK Type			D-KOMBI 210		D-KOMBI 260		D-KOMBI 315	D-KOMBI 400	
Mounting	Size		A5	A6	A6	A8	A8	A8	A11
	A	mm	210		260		315		400
	B	mm	105.5		111		116		123
	C	mm	118.5		130		130		136
	C1	mm	170.5		187		192		-
Clamping range without fingers	D	mm	20-175		40-220		60-275		126-350
	D1	mm	188		227		275		354
Clamping range with fingers	D2	mm	100		142		190		254
	E	mm	172		225		275		350
	F	mm	104.8	133.4	133.4	171.4	171.4	171.4	235
	G		M10	M12	M12	M16	M16	M16	M20
	G1		M28 x 1.5		M28 x 1.5		M28 x 1.5		M28 x 1.5
	G2		M14 x 1.0		M14 x 1.0		M14 x 1.0		M14 x 1.0
Jaw height	H	mm	52		62		64		-
	J	mm	6		6		6		6
	K	mm	40		48		48		50
	M	mm	61.4		61.9		61.9		66.5
	N	mm	185		185		185		185
Piston stroke	S	mm	1.0		1.5		1.5		1.5
Axial stroke swing clamps	S1	mm	16		16		16		16
	T	mm	18		10		10		8
	U	mm	28		20		20		18
	V	mm	51		43		43		41
Jaw stroke at distance H		mm	1.0		1.1		1.2		0.87
Draw pull min. / max.*	F_D	kN	0-25		0-25		0-25		0-25
Draw push for chuck open	F_C	kN	20		20		20		20
Draw pull swing clamps max.	F_B	kN	6		9		9		18
Draw push swing clamps open	F_A	kN	2		2		2		2
Moment of inertia		kg·m ²	0.16		0.45		0.75		2.26
Weight without top tooling		kg	30		44		60		109
Recommended actuating cylinder	Type		ZHVD-DFR		ZHVD-DFR		ZHVD-DFR		ZHVD-DFR

* Additional draw pull to the diaphragme force actuated by the actuating cylinder.

Advice: The max. allowed speed for the application is permanently marked on the corresponding top jaws and must not be exceeded.

Important: Never rotate the chuck without inserted jaws, otherwise the centrifugal force compensation mechanism will get damaged.

- Clamping jaws
- Rotating double piston cylinder
- Installation



Actuating cylinder ZHVD-DFR for D-KOMBI®

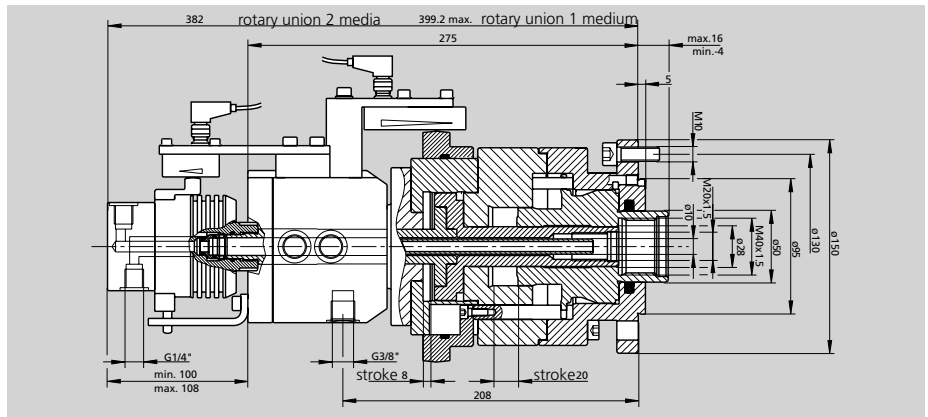
Technical features

- Special double piston cylinder to actuate D-KOMBI
- 2 independent pistons for diaphragm jaws and axial swing clamp drive
- Rotating unions for 1 or 2 media
- 2 Linear Position Systems LPS 4.0 for monitoring of the piston strokes

Standard equipment

- Cylinder with kit for LPS 4.0, without LPS 4.0 position sensor

LPS 4.0 see total catalog page 329



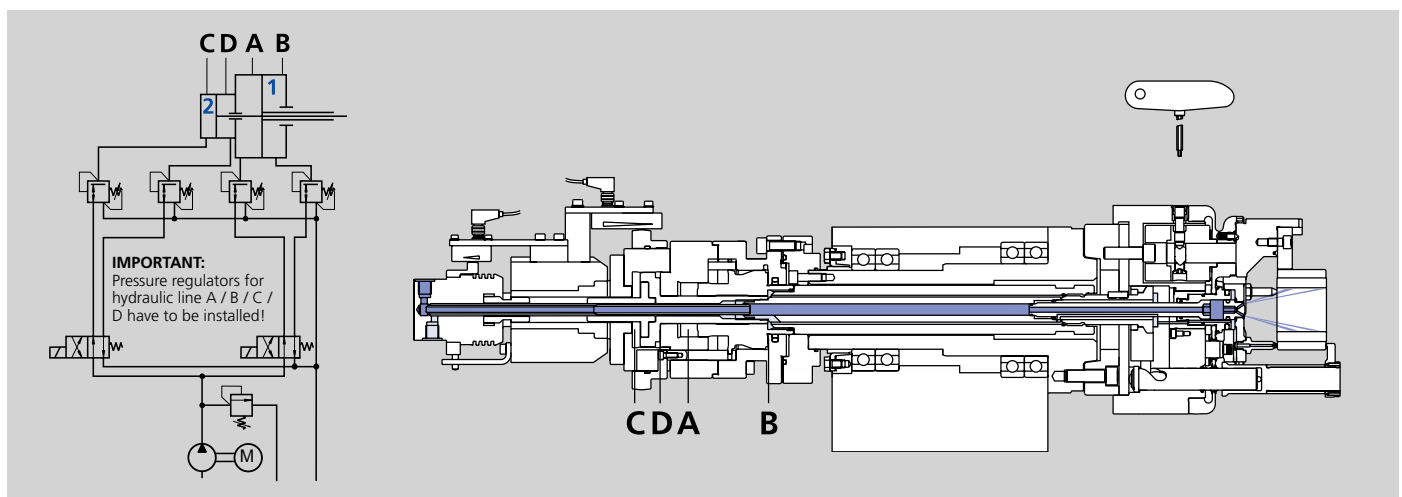
ZHVD-DFR for rotary union 1 medium Id. No. 046914 (without rotary union)*

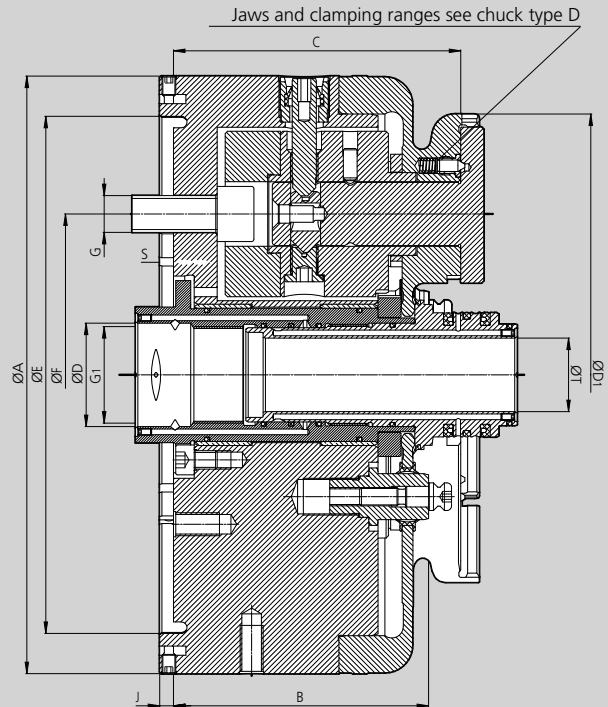
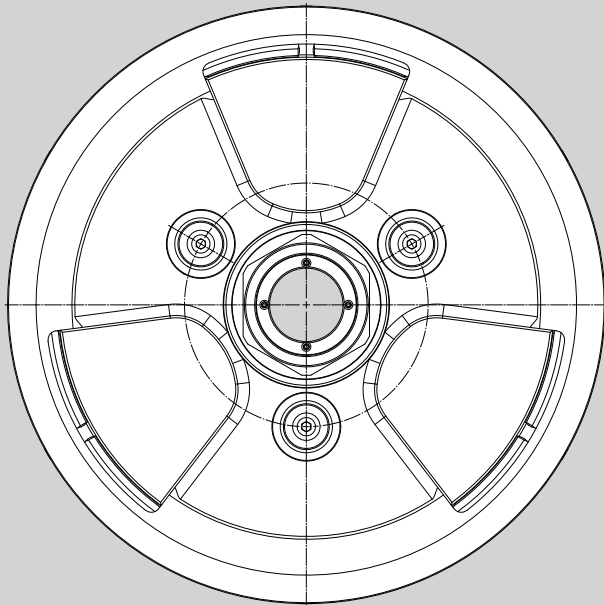
ZHVD-DFR with rotary union 2 media Id. No. 046887 (rotary union 2 media included)

Piston surface		Pressure min / max	Speed max	Leakage at 30 bar 50°C	Weight cylinder	Moment of inertia	Weight of rotary union	Weight of rotary union		
Axial finger (K1)	Diaphragm (K2)									
A push cm ²	B pull cm ²	C push cm ²	D pull cm ²	bar	r.p.m.	dm ³ /min	kg	kg·m ²	1 medium kg	2 media kg
17.6	30.6	40.6	39.2	3-60	4000	3.0	25	0.065	0.4	1.5

* To be ordered separately!

Installation





Subject to technical changes.
For more detailed information please ask our customer service.

SMW-AUTOBLOK Type		D-PLUS 260		D-PLUS 315	
Mounting	Size	225	275	275	275
	A	mm	260		315
	B	mm	111		111
	C	mm	125		125
	D1	mm	227		275
	E	mm	225		275
	F	mm	140		171.4
	G		M16		M16
	G1		M42 x 1.5		M60 x 1.5
	J	mm	6		6
	P H6	mm	45		63
Piston stroke	S	mm	1.5		1.5
Through-hole	T	mm	32		50
Draw pull min. / max.*	F1	kN	0-25		0-30
Draw push for chuck open	F2	kN	25		30
Moment of inertia		kg·m ²	0.45		0.75
Weight without top tooling		kg	44		65
Recommended actuating cylinders	Type		SIN-DFR		SIN-DFR

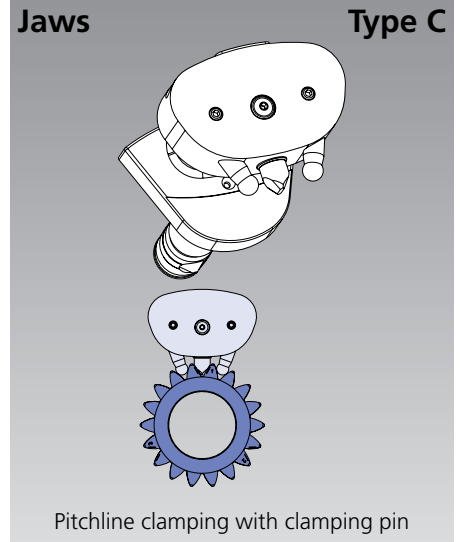
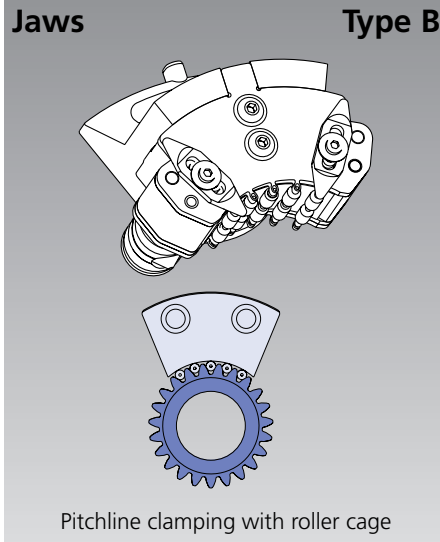
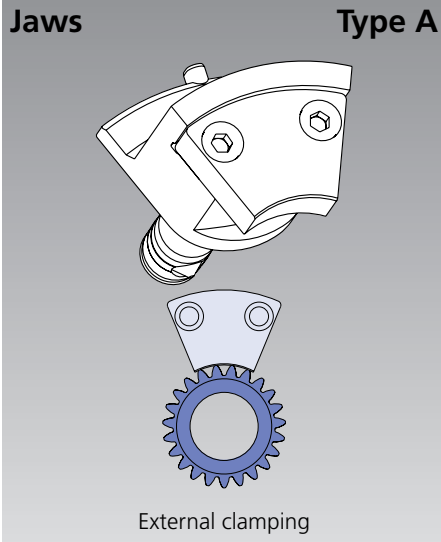
* Additional actuation force to the diaphragm spring clamping force applied by the clamping cylinder.

Advice: The max. allowed speed for the application is permanently marked on the corresponding top jaws and must not be exceeded.

Advice: Please note, that it is important, that the cylinder force for pushing and pulling can be set to different values independently!

Important: Never rotate the chuck without inserted jaws, otherwise the centrifugal force compensation mechanism will get damaged.

- Radial O.D. or pitch line clamping
- With central bore
- Centrifugal force compensation



Actuating cylinder SIN-DFR for diaphragm chuck Type D-PLUS

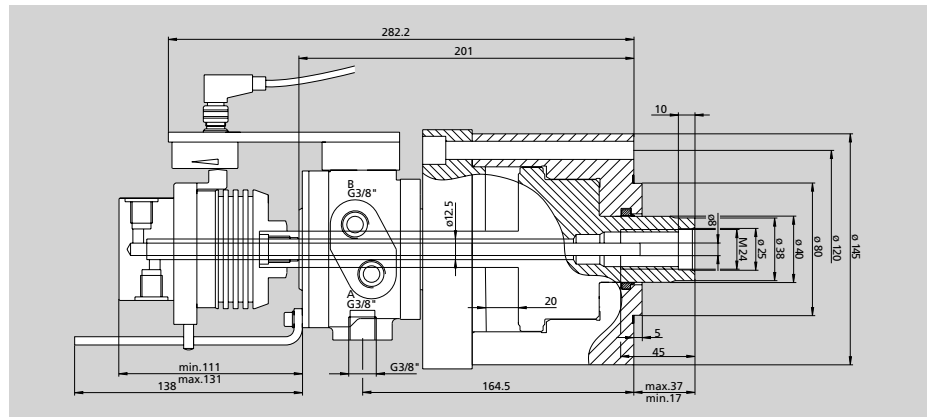
Technical features

- Special cylinder to actuate the diaphragm chuck
- Large / small piston area for opening / clamping
- Rotary unions for 1 or 2 media
- Linear positioning system LPS 4.0 to monitor the piston stroke

Standard equipment

- Cylinder with kit for LPS 4.0 installation without LPS 4.0 position sensor

LPS 4.0 see total catalog page 329



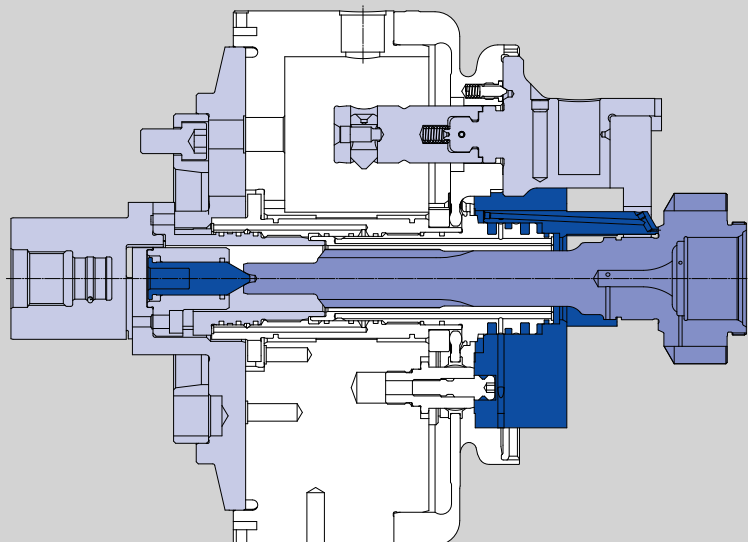
SIN-DFR-LPS 4.0 for rotary union 1 medium Id. No. 046914 (without rotary union*)

SIN-DFR-LPS 4.0 with rotary union 2 media Id. No. 046887 (rotary union 2 media included)

Piston surface		Pressure		pull min. / max.	push min. / max. (36 bar max.)	Speed max.	Leakage at 30 bar / 50°C	Weight cylinder	Moment of inertia	Weight of rotary union 1 medium	Weight of rotary union 2 media
A	B	A	B								
pull cm ²	push cm ²	min. bar	max. bar	kN	kN	r.p.m.	dm ³ / min	kg	kg·m ²	kg	kg
21	74	3-70	3-36	0.6/14	2.2-27	7000	1.5	9	0.016	0.4	1.5

* To be ordered separately!

Example of application



D-VARIO

Diaphragm chuck
FLEXIBLE MODULAR SYSTEM

Main dimensions and technical data



Application/customer benefits

- Flexible solution for grinding with quick adjustment for short set up times

Technical features

- Adjustable, modular jaw system for clamping different workpieces with the same jaws
- Key Lock System for quick positioning of the pitch of different workpieces
- Micrometer fine adjustment of the center line
- For small, medium and large batch sizes
- Workstop with medium feed for air sensing and integrated coolant nozzles optional
- Jaws for O.D. clamping (Type A) optional
- D-VARIO Configurator: Free application to configure your set up (www.smw-autoblok.de/qr/vario)

Standard equipment

Diaphragm chuck D-VARIO (with mounting bolts)

Optional accessories in the modular system:

Pitch line clamping

- 6 different jaw sets for different outside diameters
- Key Lock System for different pitches of gears (see figure A, B and C)
- Clamping pins for different modules (Dia. of ball \varnothing 3.0 mm to 6.0 mm)
- Locators

O.D. clamping (Type A)

- 6 different jaw blanks for different outside diameters
- Factory finished jaws
- Locators

D-VARIO Configurator Software:



- Safe and quick configuration of all set ups for different gears
- Web-APP: from anywhere with any device feasible (internet access needed)
- Data export possible

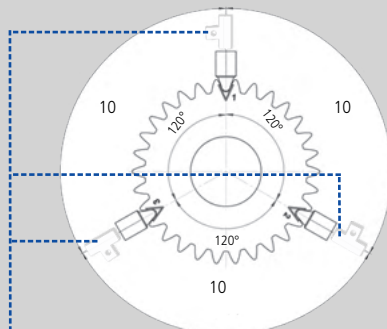
With this free of charge D-VARIO configurator a complete top jaw and the corresponding locator with the locator pins can be configured for your gears.

The export function allows you to save your results on your PC.

Start Web-App: www.smw-autoblok.de/qr/dvario

A: Number of teeth is divisible by 3

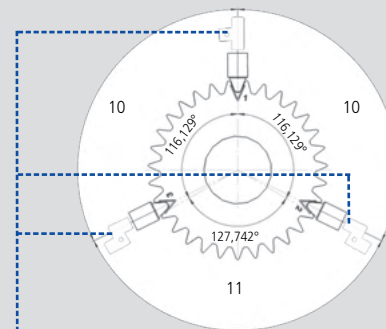
Example of application:
gear with number of teeth $[z] = 30$



- ▶ Specification of Key Lock System:
3x Key straight

B: Number of teeth is not divisible by 3

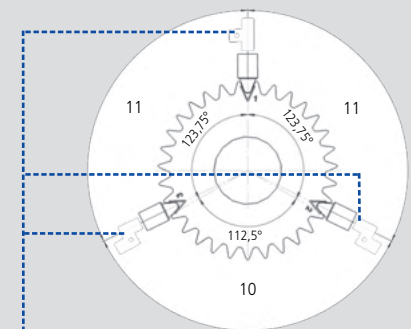
Example of application:
gear with number of teeth $[z] = 31$



- ▶ Specification of Key Lock System:
1x Key straight,
2x Key for number of teeth 31

C: Number of teeth is not divisible by 3

Example of application:
gear with number of teeth $[z] = 32$



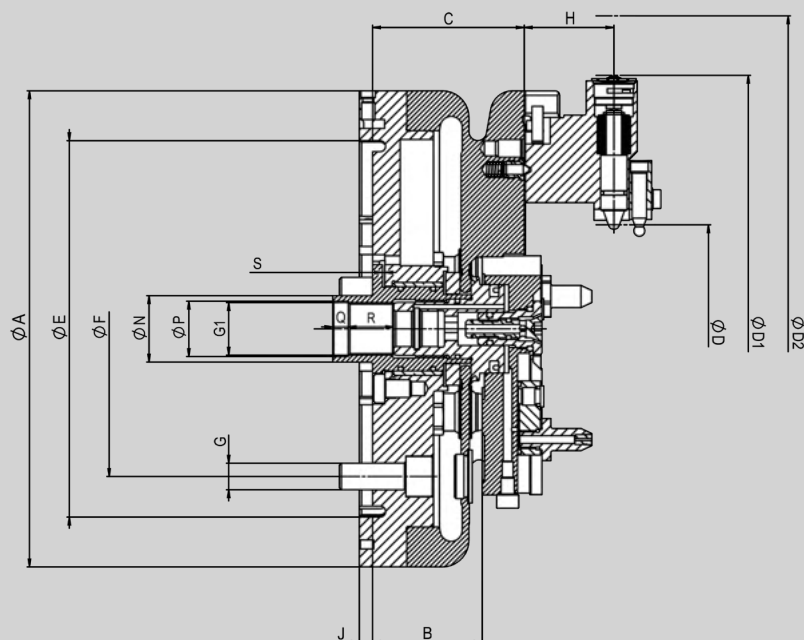
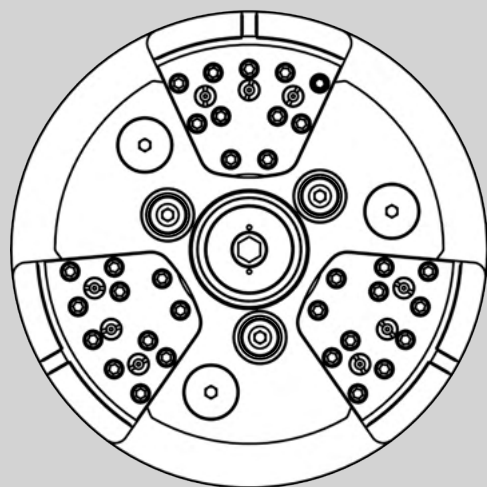
- ▶ Specification of Key Lock System:
1x Key straight,
2x Key for number of teeth 32

D-VARIO

Diaphragm chuck
FLEXIBLE MODULAR SYSTEM

Main dimensions and technical data

Top jaws and locator base are optional.



Subject to technical changes.
For more detailed information please ask our customer service.

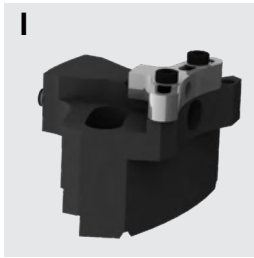
5

SMW-AUTOBLOK Type			D-VARIO 215
Mounting			Z170
Id. No.			069100
	A	mm	215
Locating face for locator	B	mm	49.5
	C	mm	68.5
Clamping range min. / max.	D	mm	24-144
Swing min.	D1	mm	215
Swing max.	D2	mm	264
	E	mm	170
	F	mm	133.4
	G		M12
	G1		M24 x 1.5
Jaw height	H	mm	40.5
	J	mm	6
	P H8	mm	25
	Q	mm	7
	R	mm	20
Piston stroke	S	mm	1.0
Jaw stroke at distance H		mm	0.95
Draw pull min. / max.*		kN	0-15
Draw push for chuck open		kN	15
Moment of inertia		kg·m ²	0.082
Weight without top jaws		kg	12.2
Recommended actuating cylinders	Type		SIN-DFR

* Additional draw pull to the diaphragm force actuated by the actuating cylinder.

Advice: Please note: It is important, that the cylinder force for pushing and pulling can be set to different values independently.

Configuration of the set up for pitch line clamping within only 5 steps:



At first you need to choose your matching top jaw (size 1 - 6) for the outside diameter [da] of the gear to be machined. Each size of top jaw can cover 20 mm outside diameter using two different types of clamping pins (Type A and B). One set of top jaw consists of 3 pieces including 1 straight key lock insert.



The determination of the spherical clamping pins is made according to the ball dimension of the gear. There are 2 types of clamping pins: Type A for the first 10 mm of the clamping range of the top jaws. Type B for the second 10 mm of the clamping range of the top jaws.



Optionally prelocator pins are available. Prelocator pins are used at automatic loading. The determination is made according to the clamping pins used.

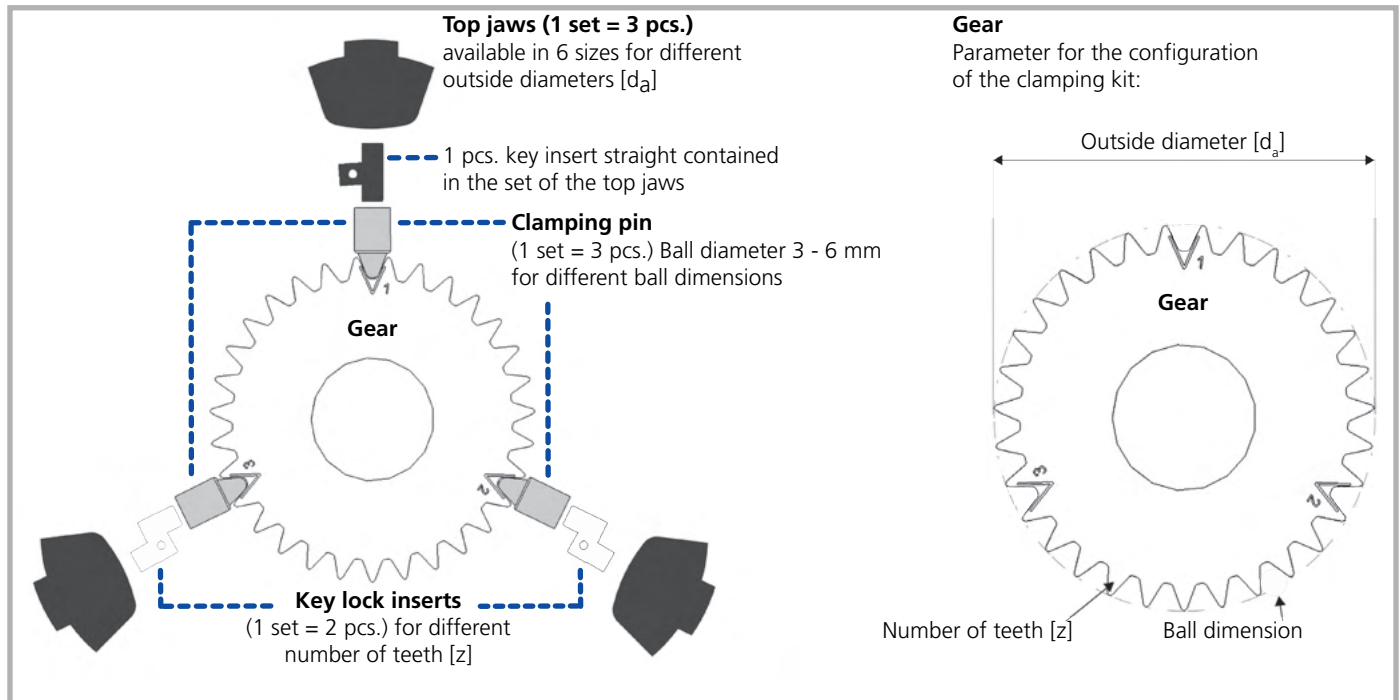


One set of Key Lock insert consists of 2 keys. Gears, which number of teeth that is divisible by 3 can be machined with 3 of the same type Key Lock insert (straight). For all gears, which number of teeth is not divisible by 3, there are different key insert sets available according to the number of teeth. The Key Lock inserts are the same for all 6 sizes of top jaws.



The following types of locator bases are available:
Type A: Without air sensing / without nozzle for coolant
Type B: Without air sensing / with nozzle for coolant
Type C: With air sensing / with nozzle for coolant
The height of the locator posts is depending on the gear.

Overview of the clamping kit:



D-Vario Configurator

free application to configure your set up

www.smw-autoblok.de



■ Configuration of the clamping kit

I. Determination of the top jaws

Top Jaws		Size	1	2	3	4	5	6
Outside diameter of gear	d_a	mm	24 - 44	44 - 64	64 - 84	84 - 104	104 - 124	124 - 144
Number of teeth	z	number	16 - 37	14 - 44	13 - 86	13 - 86	13 - 86	13 - 86
Inside clearance diameter of jaws		mm	48	68	88	108	128	148
Swing diameter		mm	164	184	204	224	244	264
Weight / set		kg	2.9	3.0	3.0	3.1	3.1	3.1
Order number (set of 3 pieces)	Id. No.		630741	630742	630743	630744	630745	630746


Clamping pin Type		A	B	A	B	A	B	A	B	A	B	A	B
Clamping range	mm	24-34	34-44	44-54	54-64	64-74	74-84	84-94	94-104	104-114	114-124	124-134	134-144

II. / III. Determination of the clamping pins (and optional prelocator pins)

Clamping pin type	Set	Type A	Available prelocator pins	Type B	Available prelocator pins
Ball diameter \varnothing 3,0	Id. No.	630851B	339835	630844B	339843
Ball diameter \varnothing 3,5	Id. No.	630852B	339836	630845B	339844
Ball diameter \varnothing 4,0	Id. No.	630853B	339837	630846B	339845
Ball diameter \varnothing 4,5	Id. No.	630854B	339838	630847B	339846
Ball diameter \varnothing 5,0	Id. No.	630855B	339839	630848B	339847
Ball diameter \varnothing 5,5	Id. No.	630856B	339840	630849B	339848
Ball diameter \varnothing 6,0	Id. No.	630857B	339841	630850B	339849

Clamping pins


Clamping pin type A



Top jaw 1	\varnothing 24 - 34 mm
Top jaw 2	\varnothing 44 - 54 mm
Top jaw 3	\varnothing 64 - 74 mm
Top jaw 4	\varnothing 84 - 94 mm
Top jaw 5	\varnothing 104 - 114 mm
Top jaw 6	\varnothing 124 - 134 mm

Ball diameter
 \varnothing 3; 3,5; 4; 4,5; 5; 5,5; 6

Clamping pin type B



Top jaw 1	\varnothing 34 - 44 mm
Top jaw 2	\varnothing 54 - 64 mm
Top jaw 3	\varnothing 74 - 84 mm
Top jaw 4	\varnothing 94 - 104 mm
Top jaw 5	\varnothing 114 - 124 mm
Top jaw 6	\varnothing 134 - 144 mm

Ball diameter
 \varnothing 3; 3,5; 4; 4,5; 5; 5,5; 6

► **Clamping pin type A**
For the first 10 mm of the clamping range of the top jaws.

► **Clamping pin type B**
For the second 10 mm of the clamping range of the top jaws.

► **Compatibility**
All types and sizes of clamping pins are compatible to all top jaws.

IV. Key Lock inserts for different number of teeth of gears

Id. No. Key Lock insert for gears which number of teeth is not divisible by 3 (1 set = 2 pieces)

z = 10	z = 11	z = 13	z = 14	z = 16	z = 17	z = 19	z = 20	z = 22	z = 23
339911	339912	339913	339914	339915	339916	339917	339918	339919	339920
z = 25	z = 26	z = 28	z = 29	z = 31	z = 32	z = 34	z = 35	z = 37	z = 38
339921	339922	339923	339924	338725	339925	339926	339927	339928	339929
z = 40	z = 41	z = 43	z = 44	z = 46	z = 47	z = 49	z = 50	z = 52	z = 53
339930	339931	339932	339933	339934	339935	339936	339937	339938	339939
z = 55	z = 56	z = 58	z = 59	z = 61	z = 62	z = 64	z = 65	z = 67	z = 68
339940	339941	339942	339943	339944	339945	339946	339947	339948	339949
z = 70	z = 71	z = 73	z = 74	z = 76	z = 77	z = 79	z = 80	z = 82	z = 83
339950	339951	339952	339953	339954	339955	339956	339957	339958	339959
z = 85	z = 86								
339960	339961								

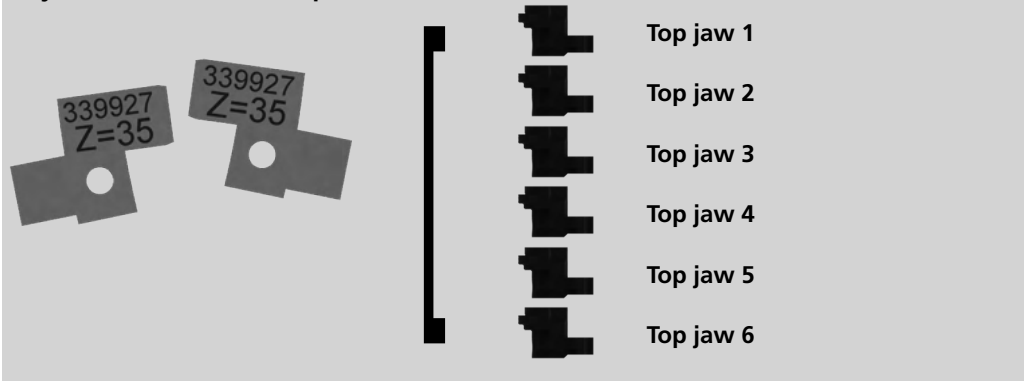
Id. No. Key Lock insert for gears which number of teeth is divisible by 3 (1 set = 2 pieces)

straight									
338724									

Order Example:

- Gear with number of teeth 32 ▶ not divisible by 3 ▶ Id. No. 339925 (1 set = 2 pieces)
 - Gear with number of teeth 33 ▶ divisible by 3 ▶ Id. No. 338724 (1 set = 2 pieces)
- 1 straight Key Lock that comes with the jaws always remains in use.

Key Lock insert (1 set = 2 pieces)



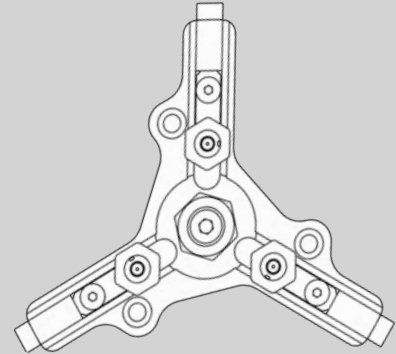
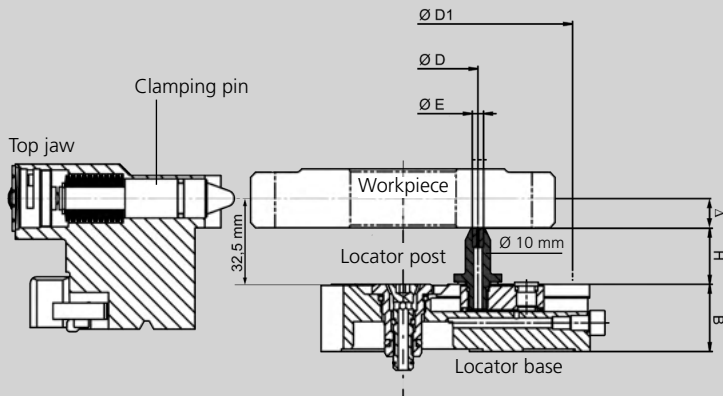
▶ Compatibility

All Key Lock inserts are compatible to all top jaws.

■ Configuration of the clamping kit

V. Locator base

Locator base



Determination of height of locator posts:
 Δ = Distance between clamping position and locating face
 Height of locator posts [H] = 32.5 mm - Δ

Clamping position = 1/2 serration length / at longer serrations it is the requested clamping position.
 In case the lowest face is not the locating face, please ask our customer service.

Locator base			Type A	Type B	Type C
Medium feed for air sensing			-	-	X
Nozzle for coolant			-	X	X
Locating diameter min.	D	min.	22	47	47
Locating diameter max.	D1	max.	136	136	136
Width	B	mm	27	27	27
Order Number		Id. No.	339860	339859	339858

Locator posts with contact face diameter [E] = Ø 2.5 mm	
Height [H] = 12.5 mm	339861
Height [H] = 15.0 mm	339862
Height [H] = 17.5 mm	339863
Height [H] = 20.0 mm	339864
Height [H] = 22.5 mm	339865
Height [H] = 25.0 mm	339866
Height [H] = 27.5 mm	339867
Height [H] = 30.0 mm	339868
Height [H] = 32.5 mm	339869
Height [H] = 35.0 mm	339870
Height [H] = 37.5 mm	339871
Height [H] = 40.0 mm	339872
Height [H] = 42.5 mm	339873
Height [H] = 45.0 mm	339874
Height [H] = 47.5 mm	339875
Height [H] = 50.0 mm	339876

Id No. is for one set (= 3 pieces)

Locator posts with contact face diameter [E] = Ø 4.5 mm	
Height [H] = 12.5 mm	339877
Height [H] = 15.0 mm	339878
Height [H] = 17.5 mm	339879
Height [H] = 20.0 mm	339880
Height [H] = 22.5 mm	339881
Height [H] = 25.0 mm	339882
Height [H] = 27.5 mm	339883
Height [H] = 30.0 mm	339884
Height [H] = 32.5 mm	339885
Height [H] = 35.0 mm	339886
Height [H] = 37.5 mm	339887
Height [H] = 40.0 mm	339888
Height [H] = 42.5 mm	339889
Height [H] = 45.0 mm	339890
Height [H] = 47.5 mm	339891
Height [H] = 50.0 mm	339892

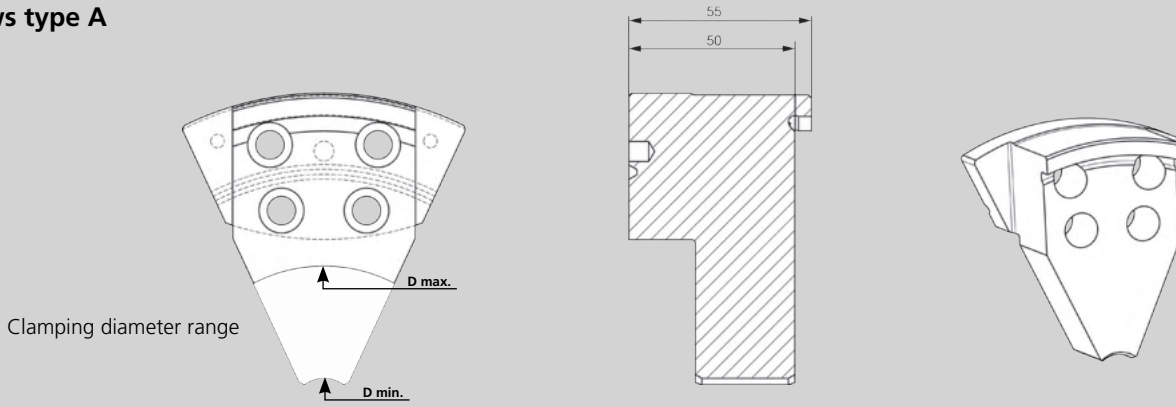
Id No. is for one set (= 3 pieces)

D-VARIO

Diaphragm chuck
FLEXIBLE MODULAR SYSTEM

■ Jaws type A for O.D. clamping

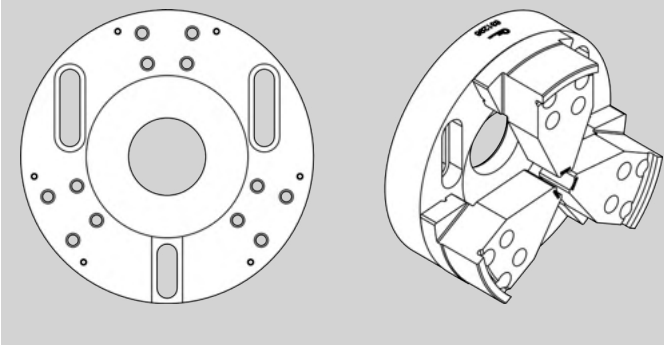
Jaws type A



Jaws type A		1	2	3	4	5	6
Clamping Range \varnothing D min. - D max.	mm	20 - 40	40 - 60	60 - 80	80 - 100	100 - 120	120 - 140
Weight / set	kg	1.1	1.1	1.0	1.0	1.0	0.8
Blank jaws (set of 3 pieces)	Id. No.	631484		631485		631486	631487
Jaws factory finished* (set of 3 pieces)	Id. No.	631488	631489	631490	631491	631492	631493

* Jaws are factory finished according to the specified clamping diameter.
Note: The clamping diameter must be specified in case of order.

Device

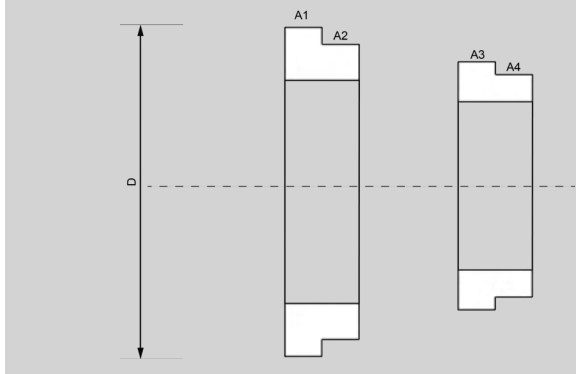


Device for machining of the blank jaws type A

Jaws type A sizes 1 - 6	631296
-------------------------	--------

The device is needed to pre-machine the blank jaws type A. Then, the jaws must be finish ground to the clamping diameter on the D-VARIO chuck. For this operation, the jaws have to be clamped with the grinding rings.

Grinding rings (1 Set = 2 pieces)



Recommended grinding rings (1 set = 2 pieces)

Jaws type A sizes 1 - 6	631309
-------------------------	--------

Grinding data:

Grinding	Ring	Diameter	Residual jaw stroke
1. Grinding	A1	D = 177.0 mm	residual jaw stroke 0.25 mm
2. Grinding	A2	D = 176.9 mm	residual jaw stroke 0.20 mm
3. Grinding	A3	D = 176.8 mm	residual jaw stroke 0.15 mm
4. Grinding	A4	D = 176.7 mm	residual jaw stroke 0.10 mm

The clamping diameter A1 is used for the first finish grinding process. The smaller clamping diameter of the grinding rings (A2-A4) are used to regrind worn or damaged existing jaws.

■ For double piston cylinder ZHVD-DFR for D-chucks



Application/customer benefits

- Rotary union for media supply for rotating cylinders
- Universal for air + oil / air + coolant
- Can also rotate dry (without medium applied)

Technical features

- Rotary union for 2 media
- Port A for air, oil and coolant
- Port B for air

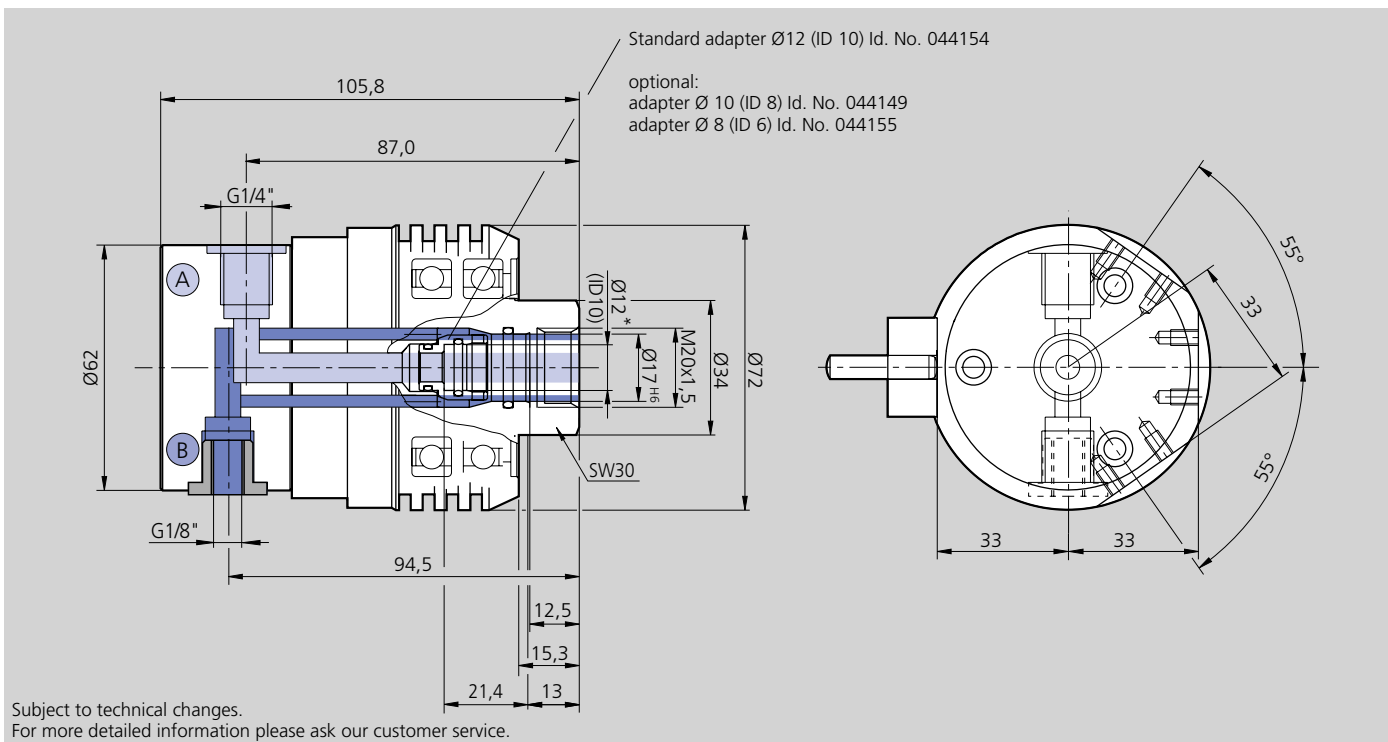
Note: The medium must be free of contamination
Filter 25 µm requested

Standard equipment

RU-2-20
Anti rotation pinblok
Adapter for tube Ø 12 mm (ID = 10 mm) Id. No. 044154

Option

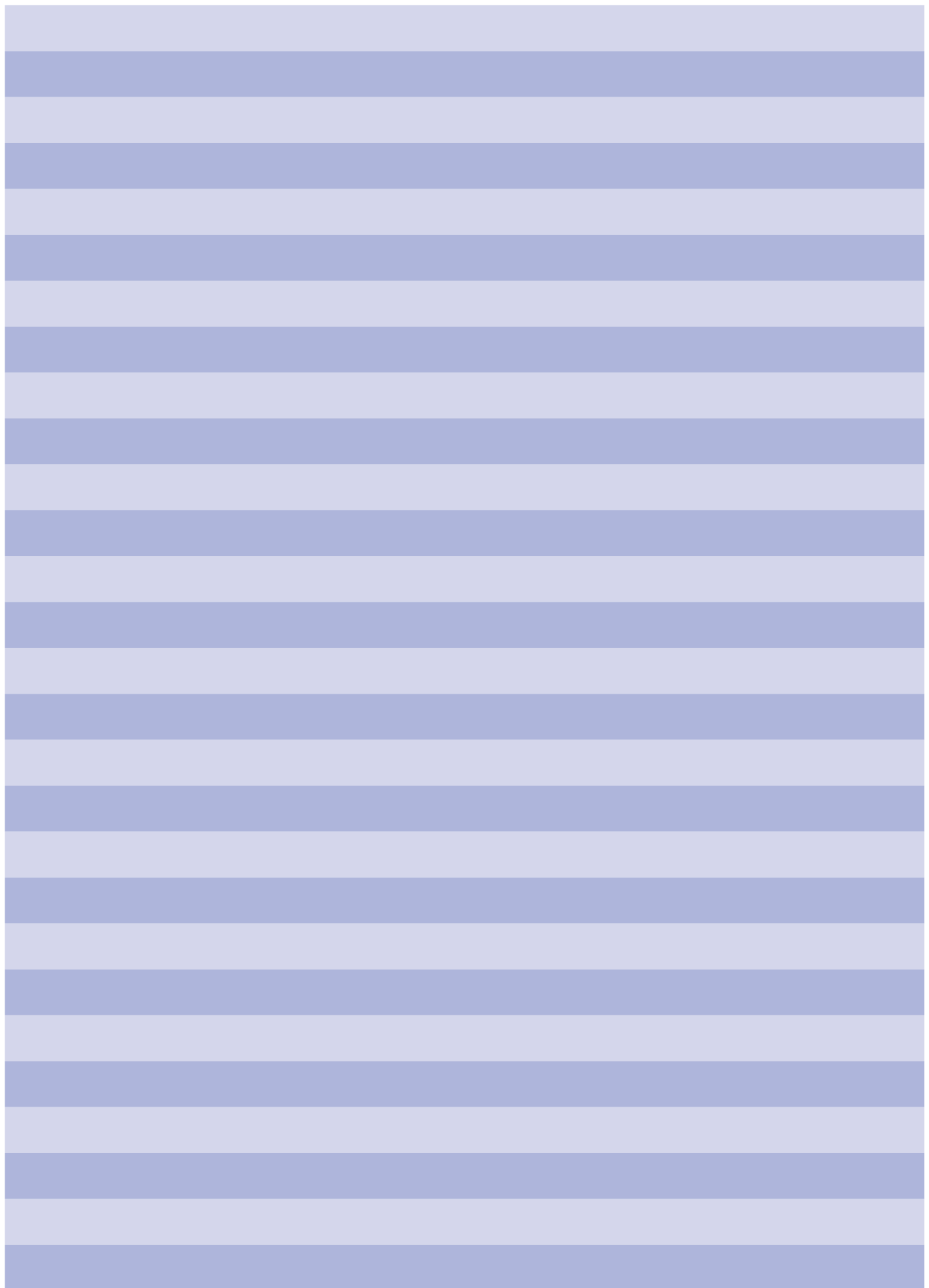
Adapter for tube Ø 10 mm (ID = 8 mm) Id. No. 044149
Adapter for tube Ø 8 mm (ID = 6 mm) Id. No. 044155



Technical data

SMW-AUTOBLOK Type	Id. No.	max. speed r.p.m.	max. pressure port A media: air, oil, coolant		max. pressure port B media: air only		Weight kg	Filter requested µm
			bar	psi	bar	psi		
RU-2-20	044972	4000	40	580	10	145	0.94	25

Notes



Collet chucks ■ Bar pulling chucks



KSZ-MB

Collet chuck

- For bar machining
- Push actuation

Page 268



KSZ-DZN

Draw collet chuck

- For bar machining
- Draw actuation
- KSZ-DZN: For bars
- KSZ-AZN: For bar or shaft machining with removable workstop

Page 272

KSZ-AZN

Draw collet chuck with workstop

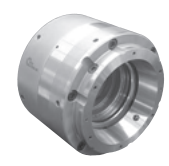


KSZ-NZN

Collet chuck for neutral axial positioning

- For bar or shaft machining
- Push actuation
- Neutral axial position of the workpiece during clamping
- Removable workstop

Page 275



KSZ-AZL

Draw collet chuck including preparation for air sensing

- For bar or shaft machining
- Draw actuation
- With built-in air sensing
- Removable workstop

Page 278



GF 80

INCH SERRATION

Bar pulling chuck

Spring operated bar pulling chuck

- Spring actuation
- For stationary outside clamping

Page 280



COMOT

Hybrid collet chuck

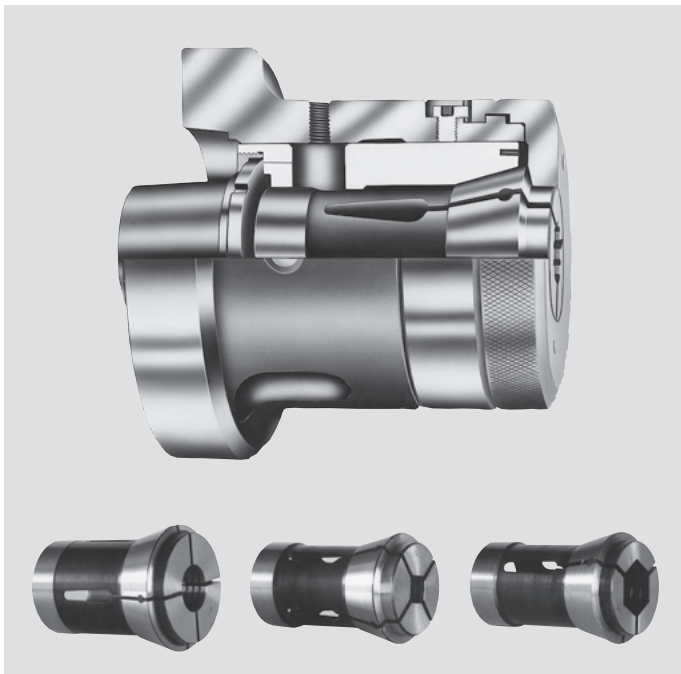
- Use of vulcanised standard collet chucks
- Optional premium adapter for the use of slotted high-precision collets
- Preparation for air sensing
- Radial fine adjustment

Page 282



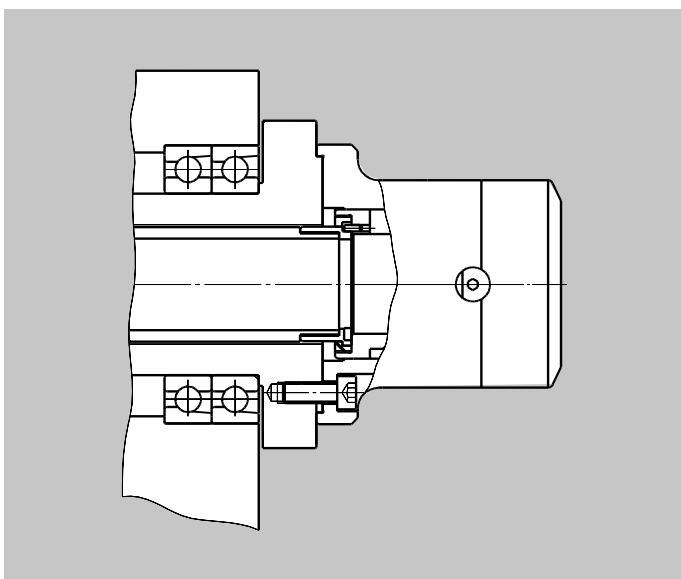
Application/customer benefits

- Efficient machining of bar material on automatic bar machines with bar feed.
- Less deformation of thin-walled components during clamping.
- Quick set-up by means of bayonet locking cap.
- For highest speeds.
- Clamping / unclamping of chuck during spindle rotation is possible.



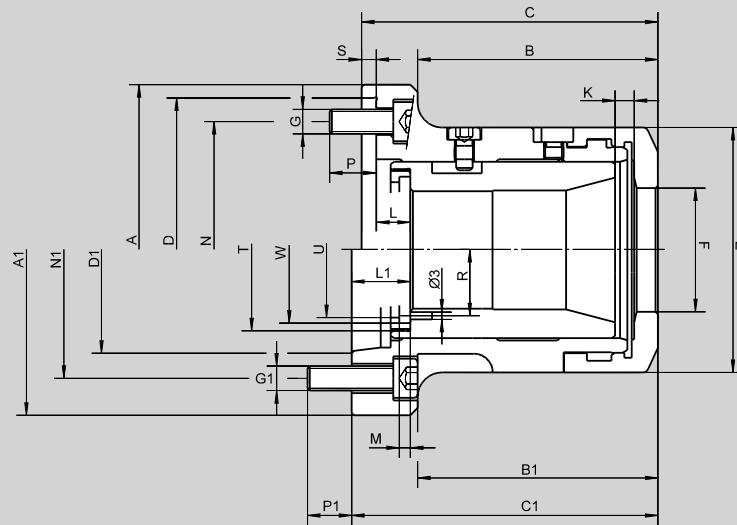
Profitability

- Quick and simple installation to all lathes (alternating with 3-jaw chucks).
- Round, square and hexagonal material can be clamped by simply changing the collet.
- Cost effective by using standard collets DIN 6343 as well as standard Rubberflex and multi range collets.
- Collets for highest concentricity for special profiles, vulcanized, coated or ground to size are available on request.



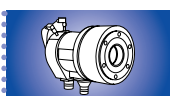
- Case hardened and ground chuck parts ensure long service life.
- Finish-machining of all parts in one set-up guarantees perfect concentricity.
- Direct mounting to the machine spindle ensures high concentricity.
- High operating reliability due to a minimum of parts.
- High axial positioning accuracy of the components by means of push type collet system.

Attention: Chuck position „open“ (left end position) is situated with end stop in actuating cylinder.
Do not actuate chuck without cap nut mounted!
Remove pin dia. 3 for rotating ring nut for direct connection in thread dimension T.



Subject to technical changes.
For more detailed information please ask our customer service.

SMW-AUTOBLOK Type		KSZ-MB 40			KSZ-MB 60				KSZ-MB 80	
Mounting		Z140	A5	A6	Z170	Z220	A6	A8	Z220 / A8	
Id. No.		088174	088180	088179	088175	088176	088178	088177	091209	
	A h6	148	-	-	185	235	-	-	-	
	A1 h6	-	135	170	-	-	170	220	220	
	B	90.9	-	-	108.9	108.9	-	-	-	
	B1	-	96.9	91.9	-	-	117.9	108.4	147	
	C	113.9	-	-	138.9	140.9	-	-	-	
	C1	-	123.9	123.9	-	-	144.9	145.9	176.5	
Center mounting		D	140	-	170	220	-	-	-	
Short taper mounting according to DIN 55026		D1	-	A5	A6	-	-	A6	A8	
	E	102	102	102	130	130	130	130	156	
	F	51	51	51	74	74	74	74	95	
	G	3 x M10	-	-	6 x M12	6 x M16	-	-	-	
	G1	-	4 x M10	4 x M12	-	-	4 x M12	4 x M16	6 x M16	
	K_{max.}	7.5	7.5	7.5	7.5	7.5	7.5	7.5	7.5	
	L	8.5	-	-	14.0	16.0	-	-	-	
	L1	-	24.5	24.5	-	-	26.0	27.0	41	
	M	4.5	4.5	4.5	4.5	4.5	4.5	4.5	6.0	
	N	104.8	-	-	133.4	171.4	-	-	-	
	N1	-	104.8	133.4	-	-	133.4	171.4	171.4	
	P	18	-	-	14	20	-	-	-	
	P1	-	14	14.5	-	-	16	16	27.5	
	R	28	28	28	39.5	39.5	39.5	39.5	51	
	S	6	-	-	6	6	-	-	-	
Pressure sleeve thread / thread depth		T	M66 x 1.5 / 8			M90 x 1.5 / 8				M114 x 2 / 11
	U	54			77				99	
	W	62.5			83				107	
Max. speed	r.p.m.	6000	6000	6000	5000	5000	5000	5000	4000	
Max. actuating force	daN	2500	2500	2500	3000	3000	3000	3000	3500	
Max. gripping force	daN	5400	5400	5400	6500	6500	6500	6500	7300	
Weight without collets	kg	6.1	7.7	7.8	13.6	14.2	14.1	18.1	20.8	
Rec. actuating cylinders	Type	VNK-T2 102-46			VNK-T2 150-67				VNK-T2 200-86	
Speed	r.p.m.	7000			5500				4000	

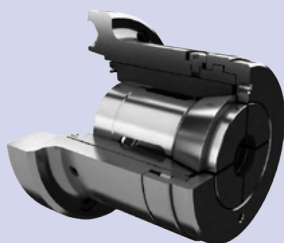


KSZ-MB

Collet chuck

Ordering review

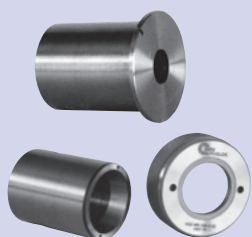
Supply range: Chuck and mounting bolts



Spindle mounting	Size	KSZ-MB 40	KSZ-MB 60	KSZ-MB 80 - 193 E
Centering rim standard		Z140 088174	Z170 088175	Z220* 091209*
Centering rim large			Z220 088176	
A 05		088180		
A 06		088179	088178	
A 08			088177	091209*

* Attention: KSZ-MB 80-193E with standard centering rim (Id. No. 091209) has outside centering 220 mm (and also inside taper A8).

Accessories for KSZ-MB



Accessories	Size	KSZ-MB 40	KSZ-MB 60	KSZ-MB 80
Blank adapter		0363960	0360810	
Reduction for smaller collets (comprising pressure sleeve and cap nut)		KSZ-MB size 40 to size 26 0360720 / 0361792	KSZ-MB size 60 to size 40 0360121 / 0361360	KSZ-MB size 80 to size 40 0362082 / 0360135
				KSZ-MB size 80 to size 60 0362081 / 0360134

Collets for KSZ-MB 40

Steel collets DIN 6343 series 173 E

ROUND*

Ø	3	3.5	4	4.5	5	5.5	6	6.5	7	7.5	8	8.5	9
Id. No.	012961	012962	012963	012964	012965	012966	012967	012968	012969	012970	012971	012972	012973
Ø	9.5	10	10.5	11	11.5	12	12.5	13	13.5	14	14.5	15	15.5
Id. No.	012974	012975	012976	012977	012978	012979	012980	012981	012982	012983	012984	012985	012986
Ø	16	16.5	17	17.5	18	18.5	19	19.5	20	20.5	21	21.5	22
Id. No.	012987	012988	012989	012990	012991	012992	012993	012994	012995	012996	012997	012998	012999
Ø	22.5	23	23.5	24	24.5	25	25.5	26	26.5	27	27.5	28	28.5
Id. No.	013000	013001	013002	013003	013004	013005	013006	013007	013008	013009	013010	013011	013012
Ø	29	29.5	30	30.5	31	31.5	32	32.5	33	33.5	34	34.5	35
Id. No.	013013	013014	013015	013016	013017	013018	013019	013020	013021	013022	013023	013024	013025
Ø	35.5	36	36.5	37	37.5	38	38.5	39	39.5	40	40.5	41	41.5
Id. No.	013026	013027	013028	013029	013030	013031	013032	013033	013034	013035	013036	013037	013038
Ø	42												
Id. No.	013039												

HEXAGONAL**

Hexagon	6	7	8	9	10	11	12	13	14	15	16	17	19
Id. No.	013040	013041	013042	013043	013044	013045	013046	013047	013048	013049	013050	013051	013052
Hexagon	20	21	22	24	26	27	28	30	31	32	36		
Id. No.	016428	016429	013053	013054	016430	013055	016431	013056	016432	013057	013058		

SQUARE**

Square	6	7	8	9	10	11	12	13	14	15	16	18	20
Id. No.	013059	013060	013061	013062	013063	013064	013065	013066	013067	013068	013069	013070	013071
Square	22	25	28										
Id. No.	013072	013073	013074										

Rubberflex collets series 36 (recommended for raw part clamping)

ROUND

Ø	7-9	9-11	11-13	13-15	15-17	17-19	19-21	21-23	23-25	25-27	27-29	29-31	31-33
Id. No.	013076	013077	013078	013079	013080	013081	013082	013093	013083	013084	013085	013086	013087
Ø	33-35	35-37	37-39	39-41	41-43								
Id. No.	013088	013089	013090	013091	013092								

* Concentricity according to DIN 6343.

** Concentricity has to be agreed.

Collets for KSZ-MB 60

Steel collets DIN 6343 series 185 E

ROUND*

∅	4	5	6	7	8	9	10	11	12	13	14	15	16
Id. No.	013112	013113	013114	013115	013116	013117	013118	013119	013120	013121	013122	013123	013124
∅	17	18	19	20	21	22	23	24	25	26	27	28	29
Id. No.	013125	013126	013127	013128	013129	013130	013131	013132	013133	016434	013134	013135	013136
∅	30	31	32	33	34	35	36	37	38	39	40	41	42
Id. No.	013137	013138	013139	013140	013141	013142	013143	013144	016435	013145	013146	013147	013148
∅	43	44	45	46	47	48	49	50	51	52	53	54	55
Id. No.	013149	013150	013151	013152	013153	013154	013155	013156	013157	013158	013159	013160	013161
∅	56	57	58	59	60								
Id. No.	013162	013163	013164	013165	013166								

HEXAGONAL**

⬡	8	9	10	11	12	13	14	15	16	17	19	22	24
Id. No.	013167	013168	013169	013170	013171	013172	013173	013174	013175	013176	013177	013178	013179
⬡	27	30	32	36	41	50							
Id. No.	013180	013181	013182	013183	019312	019592							

SQUARE**

□	7	8	9	10	11	12	13	14	15	16	17	18	20
Id. No.	013184	013185	013186	013187	013188	013189	013190	013191	013192	013193	019110	013194	013195
□	22	25	28	30	32	35	36	40					
Id. No.	013196	013197	013198	013199	013200	019111	013201	017800					

Rubberflex collets series 52 (recommended for raw part clamping)

ROUND

∅	35-37	37-39	39-41	41-43	43-45	45-47	47-49	49-51	51-53	53-55	55-57	57-59	59-61
Id. No.	013203	013204	013205	013206	013207	013208	013209	013210	013211	013212	013213	013214	013215

Collets for KSZ-MB 80

Steel collets DIN 6343 series 193 E

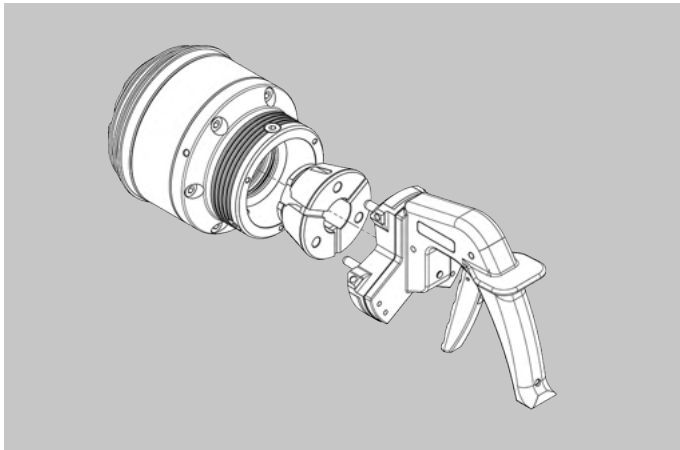
ROUND*

∅	20	21	22	23	24	25	26	27	28	29	30	31	32
Id. No.	013237	013238	013239	013240	013241	013242	013243	013244	013245	013246	013247	013248	013249
∅	33	34	35	36	37	38	39	40	41	42	43	44	45
Id. No.	013250	013251	013252	013253	013254	013255	013256	013257	013258	013259	013260	013261	013262
∅	46	47	48	49	50	51	52	53	54	55	56	57	58
Id. No.	013263	013264	013265	013266	013267	013268	013269	013270	013271	013272	013273	013274	013275
∅	59	60	61	62	63	64	65	66	67	68	69	70	71
Id. No.	013276	013277	013278	013279	013280	013281	013282	013283	013284	013285	013286	013287	013288
∅	72	73	74	75	76	77	78	79	80				
Id. No.	013289	013290	013291	013292	013293	013294	013295	013296	013297				

Further collets are available on request.

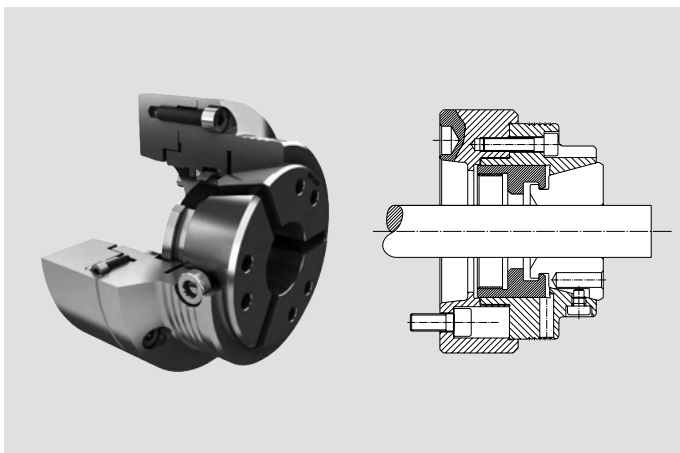
* Concentricity according to DIN 6343.

** Concentricity has to be agreed.



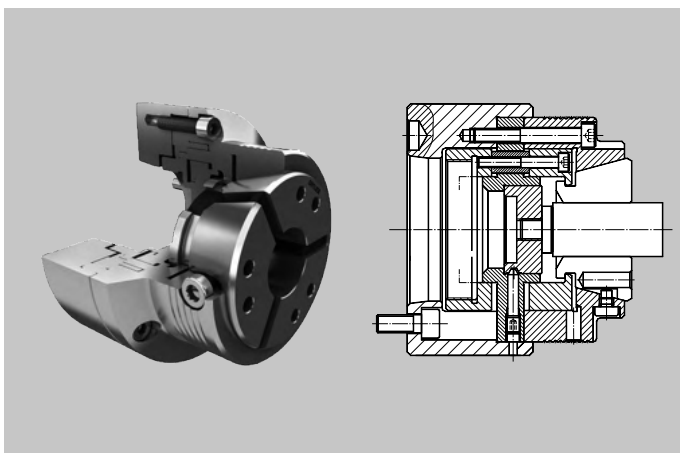
Application/customer benefits

- Safe clamping of bars and shafts.
- Quick change of collets with changing unit.
- Changing unit manual or pneumatic.
- Direct mounting of the collets into the body ensures highest concentricity.
- Collets available round, square, hexagonal or as blanks to be machined on the chuck.
- Also available for stationary use.



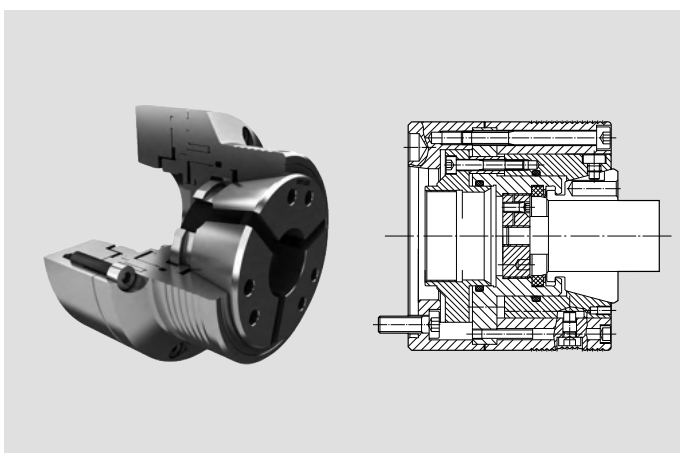
KSZ-DZN

- Safe clamping of bars.
- No push forces onto the machine spindle during clamping.
- Highest axial and radial rigidity with draw collet system.
- Parallel clamping of the collets.
- Flexible use because of large range of the collets.



KSZ-AZN

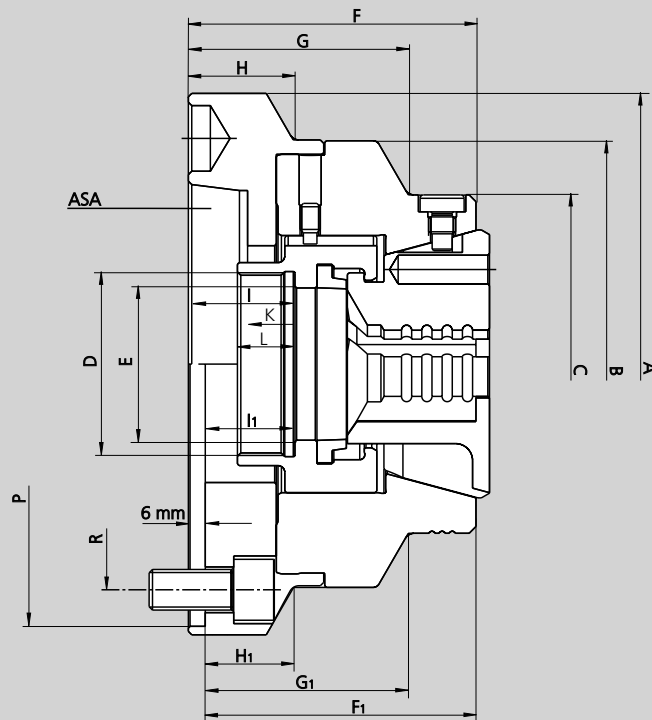
- Rigid axial workstop for shafts.
- High axial positioning accuracy of the shafts because of pull down effect onto the workstop.
- Full through-hole available because of quick change of axial workstop.
- Special workstops available on request.



KSZ-NZN

- Collet in axial fixed position = no axial movement and axial forces when clamping.
- Rigid axial workstop for shafts.
- Full through-hole available because of quick change of axial workstop.
- Special workstops available on request.

Chuck in open position =
Right end position

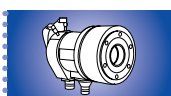


Subject to technical changes.
For more detailed information please ask our customer service.

SMW-AUTOBLOK Type		KSZ-DZN 42			KSZ-DZN 65				
Mounting		Z140	A5	A6	Z140	Z170	A5	A6	A8
Id. No.		205073	201338	201339	205072	205074	201341	201342	201343
	A	150	132	160	157	180	157	157	202
	B	132	-	132	-	157	-	-	157
	C	100	100	100	122	122	122	122	122
	D	M54 x 1.5	M54 x 1.5	M54 x 1.5	M78 x 1.5	M78 x 1.5	M78 x 1.5	M78 x 1.5	M78 x 1.5
	E	45	45	45	68	68	68	68	68
	F	-	90	90	-	-	100	98	102
	F1	75	-	-	100	98	-	-	-
	G	-	70	70	-	-	70	68	72
	G1	55	-	-	70	68	-	-	-
	H	-	-	36	-	-	-	-	-
	H1	15	-	-	-	13	-	-	-
	I	-	39	39	-	-	41.5	39.5	43.5
	I1	24	-	-	41.5	39.5	-	-	-
Axial stroke	K	5	5	5	4.5	4.5	4.5	4.5	4.5
	L	17	17	17	17.5	17.5	17.5	17.5	17.5
	P H6	140	-	-	140	170	-	-	-
	R	104.8 / M10 3 x 120°		133.4 / M12 4 x 90°	104.8 / M10 3 x 120°	133.4 / M12 6 x 60°	104.8 / M10 4 x 90°	133.4 / M12 4 x 90°	171.4 / M16 4 x 90°
Max. speed	r.p.m.	7000	7000	7000	6000	6000	6000	6000	6000
Max. actuating force	daN	3500	3500	3500	4500	4500	4500	4500	4500
Max. gripping force	daN	8000	8000	8000	10500	10500	10500	10500	10500
Weight without collets	kg	5.2	5.8	6.7	8.6	8.8	8.4	7.6	9.8
Rec. actuating cylinders	Type	VNK-T2 102-46			VNK-T2 150-67				
Speed	r.p.m.	8000			5500				

Changing unit

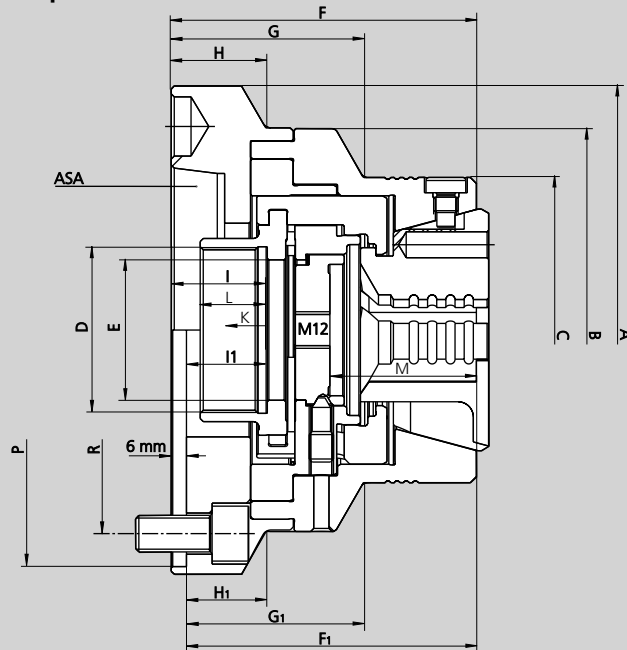
Accessories	Size	KSZ-DZN 42	KSZ-DZN 65
	Manual		196842
Pneumatic		192151	192153



SMW-AUTOBLOK
321

Draw collet chuck

Chuck in open position = Right end position



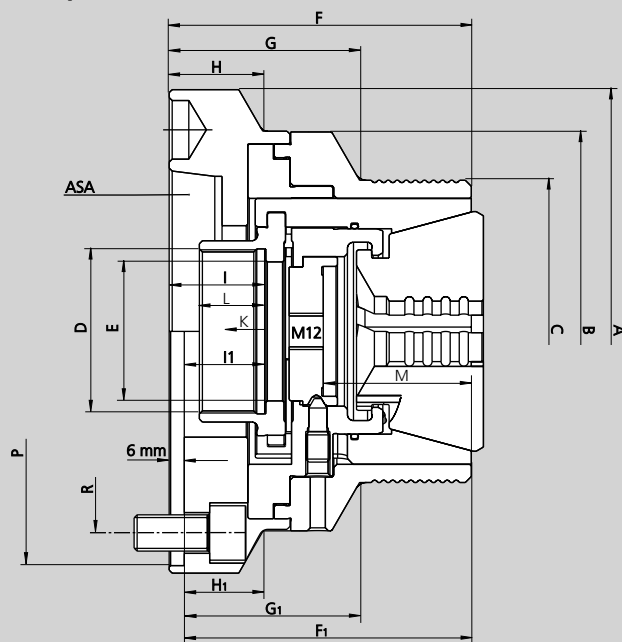
Subject to technical changes.
For more detailed information please ask our customer service.

SMW-AUTOBLOK Type		KSZ-AZN 42			KSZ-AZN 65				
Mounting		Z140	A5	A6	Z140	Z170	A5	A6	A8
Id. No.		205066	201346	201347	205075	205076	201349	201350	201351
	A	150	132	160	157	180	157	157	202
	B	132	-	132	-	157	-	-	157
	C	100	100	100	122	122	122	122	122
	D	M54 x 1.5	M54 x 1.5	M54 x 1.5	M78 x 1.5	M78 x 1.5	M78 x 1.5	M78 x 1.5	M78 x 1.5
	E	46	46	46	68	68	68	68	68
	F	-	105	105	-	-	112	110	114
	F1	90	-	-	112	110	-	-	-
	G	-	68	68	-	-	69	67	71
	G1	53	-	-	69	67	-	-	-
	H	-	-	36	-	-	-	-	47
	H1	15	-	-	-	13	-	-	-
	I	-	39	39	-	-	41.5	39.5	43.5
	I1	24	-	-	41.5	39.5	-	-	-
Axial stroke	K	4.5	4.5	4.5	4.5	4.5	4.5	4.5	4.5
	L	17	17	17	17.5	17.5	17.5	17.5	17.5
	M	48	48	48	54	54	54	54	54
	P H6	140	-	-	140	170	-	-	-
	R	104.8 / M10 3 x 120°		133.4 / M12 4 x 90°	104.8 / M10 3 x 120°	133.4 / M12 6 x 60°	104.8 / M10 4 x 90°	133.4 / M12 4 x 90°	171.4 / M16 4x90°
Max. speed	r.p.m.	7000	7000	7000	6000	6000	6000	6000	6000
Max. actuating force	daN	3500	3500	3500	4500	4500	4500	4500	4500
Max. gripping force	daN	8000	8000	8000	10500	10500	10500	10500	10500
Weight without collets	kg	5.8	6.2	7.3	9.5	9.5	9.3	8.5	10.7
Rec. actuating cylinders	Type	VNK-T2 102-46			VNK-T2 150-67				
Speed	r.p.m.	8000			5500				

Changing unit

 	Size	KSZ-AZN 42	KSZ-AZN 65
	Accessories		
	Manual	196842	196844
	Pneumatic	192151	192153

Chuck in open position = Left end position

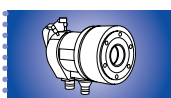


Subject to technical changes.
For more detailed information please ask our customer service.

SMW-AUTOBLOK Type		KSZ-NZN 42			KSZ-NZN 65				
Mounting		Z140	A5	A6	Z140	Z170	A5	A6	A8
Id. No.		205077	201354	201355	205078	205080	201357	201358	201359
	A	150	132	160	157	180	157	157	202
	B	132	-	132	-	157	-	-	157
	C	100	100	100	122	122	122	122	122
	D	M54 x 1.5	M54 x 1.5	M54 x 1.5	M78 x 1.5	M78 x 1.5	M78 x 1.5	M78 x 1.5	M78 x 1.5
	E	46	46	46	68	68	68	68	68
	F	-	105	105	-	-	112	110	114
	F1	90	-	-	112	110	-	-	-
	G	-	68	68	-	-	69	67	71
	G1	53	-	-	69	67	-	-	-
	H	-	-	36	-	-	-	-	17
	H1	15	-	-	-	13	-	-	-
	I	-	34.5	34.5	-	-	37	35	39
	I1	19.5	-	-	37	35	-	-	-
Axial stroke	K	4.5	4.5	4.5	4.5	4.5	4.5	4.5	4.5
	L	17	17	17	17.5	17.5	17.5	17.5	17.5
	M	48	48	48	54	54	54	54	54
	P H6	140	-	-	140	170	-	-	-
	R	104.8 / M10 3 x 120°		133.4 / M12 4 x 90°	104.8 / M10 3 x 120°	133.4 / M12 6 x 60°	104.8 / M10 4 x 90°	133.4 / M12 4 x 90°	171.4 / M16 4 x 90°
Max. speed	r.p.m.	7000	7000	7000	6000	6000	6000	6000	6000
Max. actuating force	daN	3500	3500	3500	4500	4500	4500	4500	4500
Max. gripping force	daN	8000	8000	8000	10500	10500	10500	10500	10500
Weight without collets	kg	5.9	6.3	7.4	9.6	9.6	9.4	8.6	10.8
Rec. actuating cylinders	Type	VNK-T2 102-46			VNK-T2 150-67				
Speed	r.p.m.	8000			5500				

Changing unit

Accessories	Size	KSZ-NZN 42	KSZ-NZN 65
	Manual		196842
Pneumatic		192151	192153



SMW-AUTOBLOK
321

Collets for KSZ-DZN 42 / KSZ-AZN 42 / KSZ-NZN 42

Steel collets with axial and radial grooves (△ smooth, △△ radial grooves)

ROUND*

∅	4 [△]	5 [△]	6 [△]	7 [△]	8 ^{△△}	9 ^{△△}	10 ^{△△}	11	12	13	14	15	16
Id. No.	192173	192174	192175	192176	192177	192178	192179	192180	192181	192182	192183	192184	192185
∅	17	18	19	20	21	22	23	24	25	26	27	28	29
Id. No.	192186	192187	192188	192189	192190	192191	192192	192193	192194	192195	192196	192197	192198
∅	30	31	32	33	34	35	36	37	38	39	40	41	42
Id. No.	192199	192200	192201	192202	192203	192204	192205	192206	192207	192208	192209	192210	192211

Collets in 0.5 mm increments on request.

Steel collets with smooth clamping surface

ROUND*

∅	4	5	6	7	8	9	10	11	12	13	14	15	16
Id. No.	193173	193174	193175	193176	193135	193136	193137	193138	193139	193140	193141	193142	193143
∅	17	18	19	20	21	22	23	24	25	26	27	28	29
Id. No.	193144	192807	193145	192808	193146	193147	193148	193149	193150	193151	193152	193153	193154
∅	30	31	32	33	34	35	36	37	38	39	40	41	42
Id. No.	193155	193156	193083	193157	193158	193159	193160	193161	193162	193163	193164	193165	193219

Collets in 0.5 mm increments on request.

SQUARE**

□	7 [△]	8 ^{△△}	9 ^{△△}	10 ^{△△}	11 ^{△△}	12 ^{△△}	13 ^{△△}	14 ^{△△}	15 ^{△△}	16 ^{△△}	17 ^{△△}	18 ^{△△}	19 ^{△△}
Id. No.	192212	192213	192214	192215	192216	192217	192218	192219	192220	192221	192222	192223	192224
□	20 ^{△△}	21 ^{△△}	22 ^{△△}	23 ^{△△}	24 ^{△△}	25 ^{△△}	26 ^{△△}	27 ^{△△}	28 ^{△△}	29 ^{△△}	30 ^{△△}		
Id. No.	192225	192226	192227	192228	192229	192230	192231	192232	192233	192234	192235		

HEXAGONAL**

⬡	7 [△]	8 ^{△△}	9 ^{△△}	10 ^{△△}	11 ^{△△}	12 ^{△△}	13 ^{△△}	14 ^{△△}	15 ^{△△}	16 ^{△△}	17 ^{△△}	18 ^{△△}	19 ^{△△}
Id. No.	192236	192237	192238	192239	192240	192241	192242	192243	192244	192245	192246	192247	192248
⬡	20 ^{△△}	21 ^{△△}	22 ^{△△}	23 ^{△△}	24 ^{△△}	25 ^{△△}	26 ^{△△}	27 ^{△△}	28 ^{△△}	29 ^{△△}	30 ^{△△}	31 ^{△△}	32 ^{△△}
Id. No.	192249	192250	192251	192252	192253	192254	192255	192256	192257	192258	192259	192260	192261

Soft steel collets (pre-bored)

ROUND

∅	5	15	30										
Id. No.	192262	192263	192264										

Boring ring 42 for soft steel collets

Id. No.	193399												
---------	--------	--	--	--	--	--	--	--	--	--	--	--	--

* Concentricity similar DIN 6343.

** Concentricity has to be agreed.

Collets for KSZ-DZN 65 / KSZ-AZN 65 / KSZ-NZN 65

Steel collets with axial and radial grooves (Δ smooth, $\Delta\Delta$ radial grooves)

ROUND*

\emptyset	5 Δ	6 Δ	7 Δ	8 $\Delta\Delta$	9 $\Delta\Delta$	10 $\Delta\Delta$	11	12	13	14	15	16	17
Id. No.	192265	192266	192267	192268	192269	192270	192271	192272	192273	192274	192275	192276	192277
\emptyset	18	19	20	21	22	23	24	25	26	27	28	29	30
Id. No.	192278	192279	192280	192281	192282	192283	192284	192285	192286	192287	192288	192289	192290
\emptyset	31	32	33	34	35	36	37	38	39	40	41	42	43
Id. No.	192291	192292	192293	192294	192295	192296	192297	192298	192299	192300	192301	192302	192303
\emptyset	44	45	46	47	48	49	50	51	52	53	54	55	56
Id. No.	192304	192305	192306	192307	192308	192309	192310	192311	192312	192313	192314	192315	192316
\emptyset	57	58	59	60	61	62	63	64	65				
Id. No.	192317	192318	192319	192320	192321	192322	192323	192324	192325				

Collets in 0.5 mm increments on request.

Steel collets with smooth clamping surface

ROUND*

\emptyset	5	6	7	8	9	10	11	12	13	14	15	16	17
Id. No.	192265	192266	192267	193172	193173	192682	193174	192787	193175	193176	193177	193169	193178
\emptyset	18	19	20	21	22	23	24	25	26	27	28	29	30
Id. No.	193179	193180	193181	193182	192683	193183	193170	193065	193184	193066	193068	193069	193070
\emptyset	31	32	33	34	35	36	37	38	39	40	41	42	43
Id. No.	193185	192684	193186	193187	193188	193189	193190	193191	193192	192685	193193	193194	193171
\emptyset	44	45	46	47	48	49	50	51	52	53	54	55	56
Id. No.	193196	193197	193198	193199	193200	193201	193202	193203	193204	193205	193206	193207	193208
\emptyset	57	58	59	60	61	62	63	64	65				
Id. No.	193195	193209	193210	193211	193212	193213	193214	193215	193216				

Collets in 0.5 mm increments on request.

SQUARE**

\square	8 $\Delta\Delta$	9 $\Delta\Delta$	10 $\Delta\Delta$	11 $\Delta\Delta$	12 $\Delta\Delta$	13 $\Delta\Delta$	14 $\Delta\Delta$	15 $\Delta\Delta$	16 $\Delta\Delta$	17 $\Delta\Delta$	18 $\Delta\Delta$	19 $\Delta\Delta$	20 $\Delta\Delta$
Id. No.	192326	192327	192328	192329	192330	192331	192332	192333	192334	192335	192336	192337	192338
\square	21 $\Delta\Delta$	22 $\Delta\Delta$	23 $\Delta\Delta$	24 $\Delta\Delta$	25 $\Delta\Delta$	26 $\Delta\Delta$	27 $\Delta\Delta$	28 $\Delta\Delta$	29 $\Delta\Delta$	30 $\Delta\Delta$	31 $\Delta\Delta$	32 $\Delta\Delta$	33 $\Delta\Delta$
Id. No.	192339	192340	192341	192342	192343	192344	192345	192346	192347	192348	192349	192350	192351
\square	34 $\Delta\Delta$	35 $\Delta\Delta$	36 $\Delta\Delta$	37 $\Delta\Delta$	38 $\Delta\Delta$	39 $\Delta\Delta$	40 $\Delta\Delta$	41 $\Delta\Delta$	42 $\Delta\Delta$	43 $\Delta\Delta$	44 $\Delta\Delta$	45 $\Delta\Delta$	46 $\Delta\Delta$
Id. No.	192352	192353	192354	192355	192356	192357	192358	192359	192360	192361	192362	192363	192364

HEXAGONAL**

\hexagon	10 $\Delta\Delta$	11 $\Delta\Delta$	12 $\Delta\Delta$	13 $\Delta\Delta$	14 $\Delta\Delta$	15 $\Delta\Delta$	16 $\Delta\Delta$	17 $\Delta\Delta$	18 $\Delta\Delta$	19 $\Delta\Delta$	20 $\Delta\Delta$	21 $\Delta\Delta$	22 $\Delta\Delta$
Id. No.	192365	192366	192367	192368	192369	192370	192371	192372	192373	192374	192375	192376	192377
\hexagon	23 $\Delta\Delta$	24 $\Delta\Delta$	25 $\Delta\Delta$	26 $\Delta\Delta$	27 $\Delta\Delta$	28 $\Delta\Delta$	29 $\Delta\Delta$	30 $\Delta\Delta$	31 $\Delta\Delta$	32 $\Delta\Delta$	33 $\Delta\Delta$	34 $\Delta\Delta$	35 $\Delta\Delta$
Id. No.	192378	192379	192380	192381	192382	192383	192384	192385	192386	192387	192388	192389	192390
\hexagon	36 $\Delta\Delta$	37 $\Delta\Delta$	38 $\Delta\Delta$	39 $\Delta\Delta$	40 $\Delta\Delta$	41 $\Delta\Delta$	42 $\Delta\Delta$	43 $\Delta\Delta$	44 $\Delta\Delta$	45 $\Delta\Delta$	46 $\Delta\Delta$	47 $\Delta\Delta$	48 $\Delta\Delta$
Id. No.	192391	192392	192393	192394	192395	192396	192397	192398	192399	192400	192401	192402	192403
\hexagon	49 $\Delta\Delta$	50 $\Delta\Delta$											
Id. No.	192404	192405											

Soft steel collets (pre-bored)

ROUND

\emptyset	8	20	40										
Id. No.	192406	192407	192408										

Boring ring 65 for soft steel collets

Id. No.	193400												
---------	--------	--	--	--	--	--	--	--	--	--	--	--	--

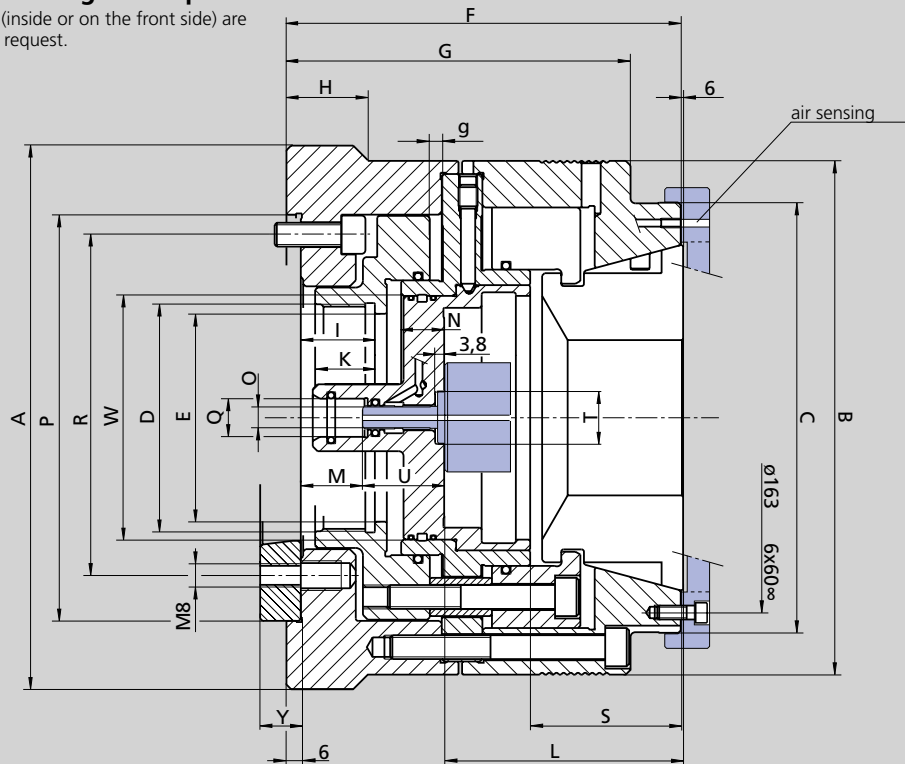
* Concentricity similar DIN 6343.

** Concentricity has to be agreed.

Draw collet chuck

Chuck in open position = Right end position

The workstops illustrated in blue (inside or on the front side) are optional and can be delivered on request.



Subject to technical changes.
For more detailed information please ask our customer service.

SMW-AUTOBLOK Type		KSZ-AZL 100											
Mounting		Z170			Z220			A6			A8		
Id. No.		194741			195244			194783			195245		
	A	215			230			215			230		
	B	-			215			-			215		
	C	180			180			180			180		
	D	M95 x 2			M115 x 2			M95 x 2			M115 x 2		
	E	87			107			87			107		
	F	165			165			176			178		
	G	144			144			155			157		
	H	-			37			-			37		
	I	36			36			36			36		
	K	25			25			25			25		
	L	99			99			99			99		
	M	25			25			25			25		
	N	17			17			17			17		
	O	M12			M12			M12			M12		
	P H6	170			220								
	Q	16			16			16			16		
	R	133.4	6 x 60°	M12	171.4	6 x 60°	M16	133.4	6 x 60°	M12	171.4	6 x 60°	M16
	S	63			63			63			63		
	T	22			22			22			22		
	U	34.3			34.3			34.3			34.3		
	V	M12			M12			M12			M12		
	W	102			102			102			102		
	X	111			111			111			111		
	Y	-			-			17			19		
Stroke	g	9			9			9			9		
Max. speed	r.p.m.	3800			3800			3800			3800		
Max. actuating force	daN	6500			6500			6500			6500		
Max. gripping force	daN	15000			15000			15000			15000		
Weight without collets	kg	29			30			34.5			35		
Rec. actuating cylinder	Type	VNK-T2 200-86			VNK-T2 225-95			VNK-T2 200-86			VNK-T2 225-95		
					VNK-T2 250-110						VNK-T2 250-110		
Speed	r.p.m.	4500			4000 / 3600			4500			4000 / 3600		

Ordering review

Draw collet chuck

Supply range: Chuck and mounting bolts



Spindle mounting	Size	KSZ-AZL 100
Z 170		194741
A 06		194783
Z 220		195244
A 08		195245

Changing unit



Accessories	Size	KSZ-AZL 100
Pneumatic		194744

Collets for KSZ-AZL

Steel collets with axial and radial grooves ROUND*

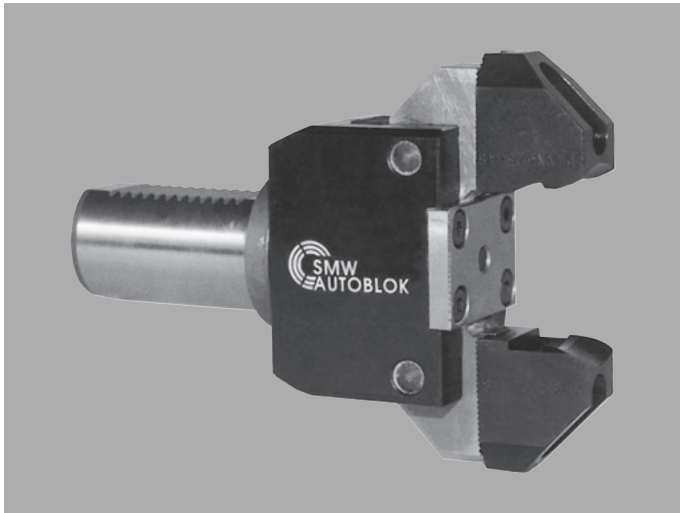
Ø	42	43	44	45	46	47	48	49	50	51	52	53	54
Id. No.	195081	195082	195083	195084	195085	195086	195087	195088	195089	195090	195091	195092	195093
Ø	55	56	57	58	59	60	61	62	63	64	65	66	67
Id. No.	195094	195095	195096	195097	195098	195099	195100	195101	195102	195103	195104	195105	195106
Ø	68	69	70	71	72	73	74	75	76	77	78	79	80
Id. No.	195107	195108	195109	195110	195111	195112	195113	195114	195115	195116	195117	195118	195119
Ø	81	82	83	84	85	86	87	88	89	90	91	92	93
Id. No.	195120	195121	195122	195123	195124	195125	195126	195127	195128	195129	195130	195131	195132
Ø	94	95	96	97	98	99	100						
Id. No.	195133	195134	195135	195136	195137	195138	194742						

Steel collets with smooth clamping surface ROUND*

Ø	42	43	44	45	46	47	48	49	50	51	52	53	54
Id. No.	195141	195142	195143	195144	195145	195146	195147	195148	195149	195150	195151	195152	195153
Ø	55	56	57	58	59	60	61	62	63	64	65	66	67
Id. No.	195154	195155	195156	195157	195158	195159	195160	195161	195162	195163	195164	195165	195166
Ø	68	69	70	71	72	73	74	75	76	77	78	79	80
Id. No.	195167	195168	195169	195170	195171	195172	195173	195174	195175	195176	195177	195178	195179
Ø	81	82	83	84	85	86	87	88	89	90	91	92	93
Id. No.	195180	195181	195182	195183	195184	195185	195186	195187	195188	194743	195189	195190	195191
Ø	94	95	96	97	98	99	100						
Id. No.	195192	195193	195194	195195	195196	195197	195198						

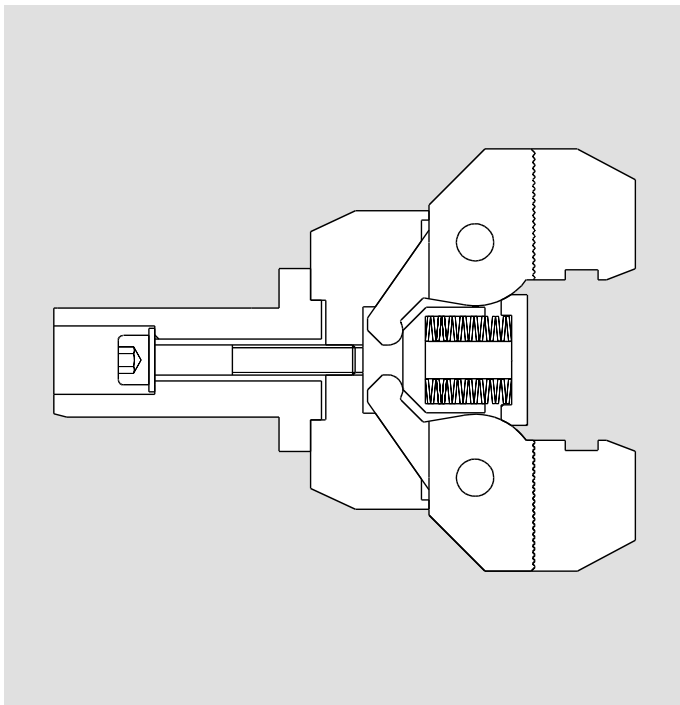
* Concentricity similar DIN 6343.





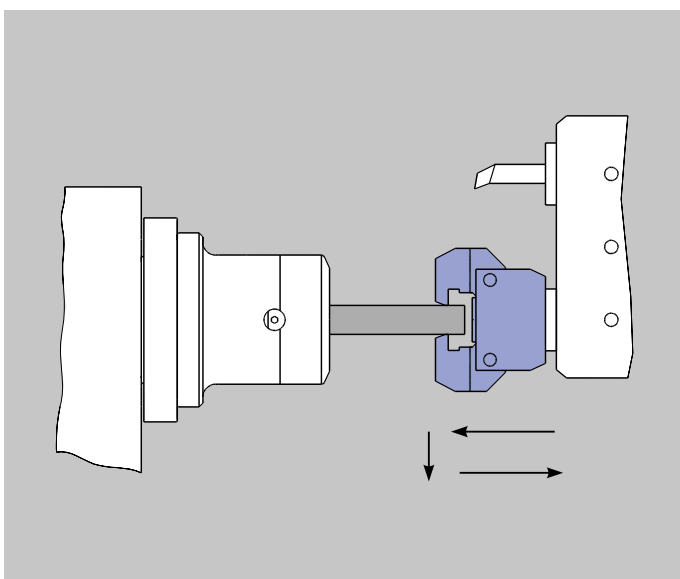
Application/customer benefits

- Clamping and positioning of short bar material.
- Positioning of shaft type components in automatic production cycle.



Profitability

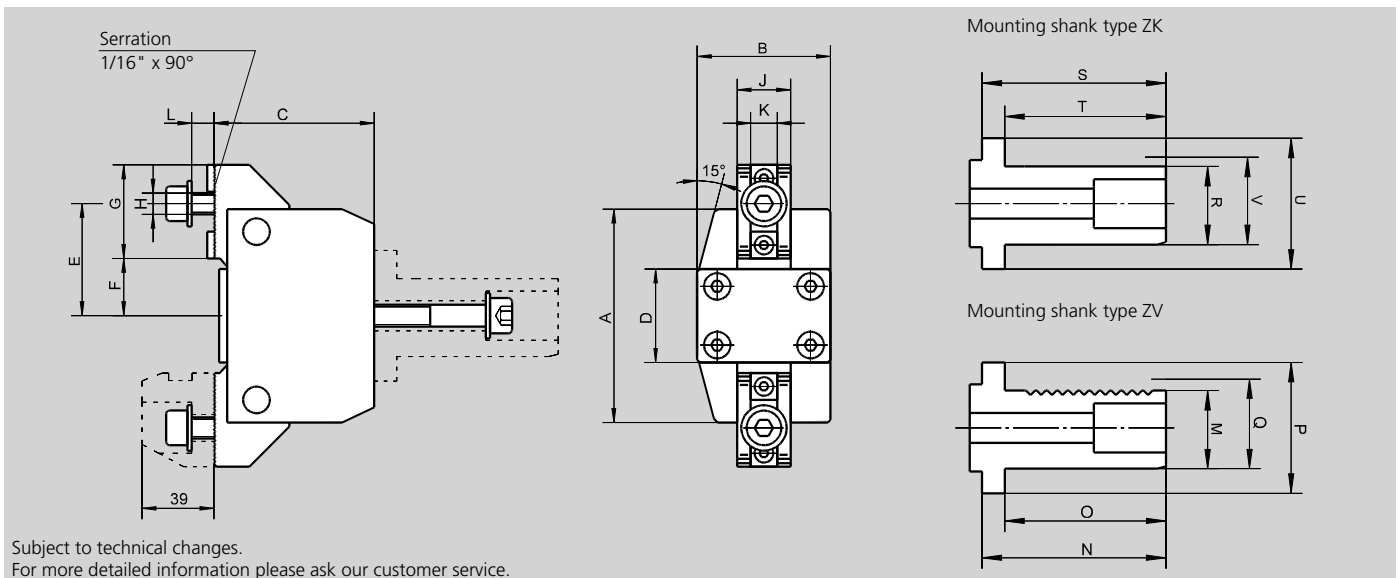
- Direct mounting to the turret of the lathe - actuation device is not necessary.
- Suitable to all tool mounting systems.
- Only one tool place of turret is required.
- Simple production of special jaws for special bar profiles.
- High flexibility at small quantities.
- Simple set-up.
- Simple, safe spring pre-loading of jaws.
- Hardened / quenched clamping arms ensure long service life.



Function

- Move bar pulling chuck GF onto the workpiece with the turret in Z-axis.
- The bar pulling chuck is clamping self acting via spring pre-loading.
- Open collet chuck.
- Move turret to position workpiece.
- Close collet chuck.
- Remove bar pulling chuck GF in Z-axis.

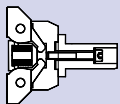
Main dimensions and technical data



Chuck type	A	B	C	D	E	F	G	H	J	K	L	Stroke per jaw	Gripping force (daN)
GF 80	80	50	60	35	42	21.5	35	M8	20	10	8	4	250
Mounting shank	M	N	O	P	Q	R	S	T	U	V			
ZV 20	18	47	35	32	20								
ZV 30	27	63	55	48	30								
ZV 40	36	71	63	48	40								
ZV 50	45	86	78	58	50								
ZK 30						26	63	55	48	30			
ZK 40						35	71	63	48	40			
ZK 50						44	86	78	58	50			

Ordering review bar pulling chuck GF 80

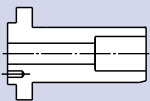
Standard supply range: Bar pulling chuck GF 80 with / without shank, mounting bolts, without jaws



Type	GF 80	GF 80-ZV 20	GF 80-ZV 30	GF 80-ZV 40	GF 80-ZV 50	GF 80-ZK 30	GF 80-ZK 40	GF 80-ZK 50
Shank	without shank	ZV 20	ZV 30	ZV 40	ZV 50	ZK 30	ZK 40	ZK 50
Id. No.	010903	089614	089615	089616	089617	089618	089619	089620

Separate mounting shanks ZV/ZK

Mounting shanks type ZV DIN 69880 (serrated) / mounting shanks type ZK (with clamping area)



Shank Type	ZV 20	ZV 30	ZV 40	ZV 50	ZK 30	ZK 40	ZK 50
Id. No.	016339	012383	012384	012385	060088	060214	012389

Top jaws type GFB

Standard supply range: 1 set (= 2 pieces) clamping jaws without mounting bolts



Type	GFB 1	GFB 2	GFB 3	GFB 4	GFB 5
Clamping range (mm)	5 - 25	25 - 45	45 - 65	65 - 80	80 - 100
Id. No.	016348	016349	016350	016351	016352

- Use of standard collets
- Air sensing
- Radial fine adjustment



Application/customer benefits

- Large selection of standard collets
- Low deformation clamping of thin walled workpieces
- Rigid axial stop, central or front stop
- Long lifetime due to case hardened parts and manual lubrication
- Use of high-precision collets when using premium adapter PA
- Use of expanding mandrels of the „Connect“ series

Technical features

- Air sensing (central or front)
- Radial fine adjustment

Standard equipment

- Collet chuck
- with bolts
- with basic workstop (central M12)
- with protection sleeve (with fall through-hole)

Ordering example

COMOT-AZ-65-Z170

Application Examples

Collet chuck COMOT-AZ with standard collet



Clamping with standard collet



Collet chuck COMOT-AZ with premium adapter PA



Clamping with slotted high-precision collet



Collet chuck COMOT-AZ with extension mandrel EMX-F-CO „Connect“



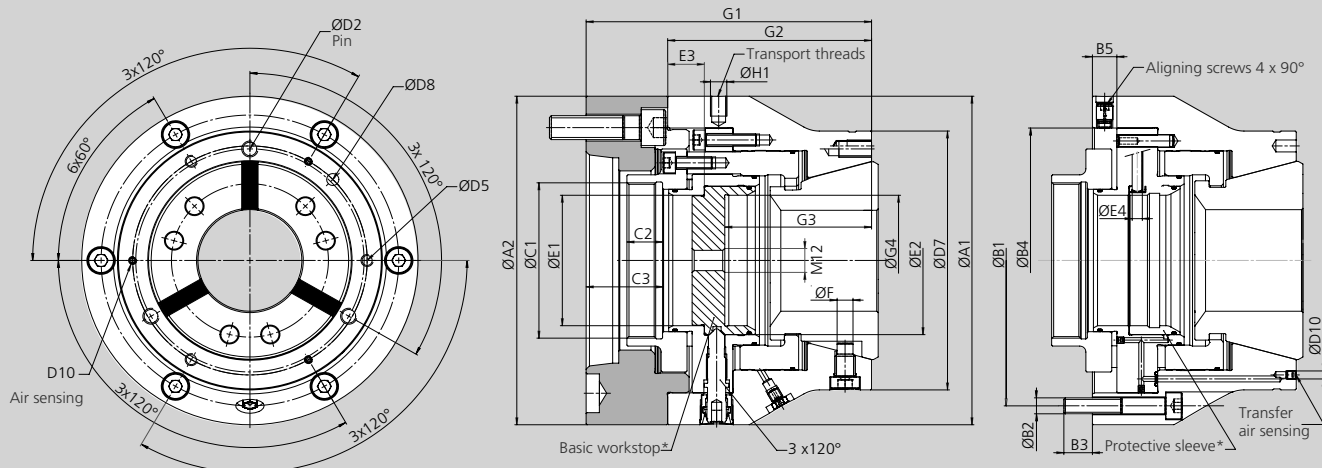
Clamping with extension mandrel „Connect“



Collet chuck

COMOT-AZ

- Use of standard collets
- Air sensing
- Radial fine adjustment



* Use only with protective sleeve or workpiece stop

SMW-AUTOBLOK Type		COMOT-AZ-42				COMOT-AZ-65						COMOT-AZ-100				
Spindle size		A05	A06	Z140	Z170	A05	A06	A08	Z140	Z170	Z220	A06	A08	A11	Z170	Z220
A1	mm	144				165						230				
A2	mm	144	165	150	180	165	165	210	165	180	230	230	230	280	230	235
B1	mm	126				146						208				
B2	6 x 60°	6 x M8				6 x M8						6 x M10				
B3	mm	12				14						19.5				
B4	0.01	110				133						185				
B5	mm	12				12						12				
C1		M54 x 1.5				M78 x 1.5						M115 x 2				
C2	mm	17				17.5						24				
C3	In open position (right end position)	38	38	24	24	40	40	40	26	26	26	55	50	52	55	41
D2	Thread / depth / Pitch circle	3 x M8 / 16 / 93				M8 / 16 / 112						M8 / 18 / 162				
D5	Thread / depth / Pitch circle	3 x M6 / 12 / 95				M6 / 12 / 115						M8 / 18 / 162				
D7	-0,02 / -0,05	110				130						180				
D8	Diameter / depth / pitch circle	Ø 6 / 10 / 95				Ø 6 / 10 / 115						Ø 6 / 10 / 162				
D10	Thread / pitch circle	M4 / 95				M4 / 115						M4 / 165				
E1	mm	43				65.5						101				
E2	H7	49.5				74.5						111.5				
E3	mm	17				18						18				
E4	Orientation for workstop	5				5						5				
F	mm	5.8				7.8						7.8				
G1	mm	126	126	112	112	140	140	140	126	126	126	174	169	171	174	160
G2	mm	88				100						115				
G3		61				72						102				
G4		43				65.5						90				
H1	3 x 120°	M8				M8						M10				

SMW-AUTOBLOK Type	COMOT-AZ-42				COMOT-AZ-65						COMOT-AZ-100					
Axial stroke	5.5				5.5						8					
Expansion in Ø	2.9				2.9						4.2					
Max. Actuating force in kN	35				45						65					
Max. Clamping force radial in kN	80				105						150					
Max. Speed rpm	7000	7000	7000	7000	6000	6000	6000	6000	6000	6000	6000	5000	5000	5000	5000	5000

Draw collet chuck

Collets for COMOT-AZ 42

Steel collets with axial and radial grooves (Δ smooth, $\Delta\Delta$ radial grooves)

ROUND*

\emptyset	4Δ	5Δ	6Δ	7Δ	8$\Delta\Delta$	9$\Delta\Delta$	10$\Delta\Delta$	11	12	13	14	15	16
Id. No.	192173	192174	192175	192176	192177	192178	192179	192180	192181	192182	192183	192184	192185
\emptyset	17	18	19	20	21	22	23	24	25	26	27	28	29
Id. No.	192186	192187	192188	192189	192190	192191	192192	192193	192194	192195	192196	192197	192198
\emptyset	30	31	32	33	34	35	36	37	38	39	40	41	42
Id. No.	192199	192200	192201	192202	192203	192204	192205	192206	192207	192208	192209	192210	192211

Collets in 0.5 mm increments on request.

Steel collets with smooth clamping surface

ROUND*

\emptyset	4	5	6	7	8	9	10	11	12	13	14	15	16
Id. No.	193173	193174	193175	193176	193135	193136	193137	193138	193139	193140	193141	193142	193143
\emptyset	17	18	19	20	21	22	23	24	25	26	27	28	29
Id. No.	193144	192807	193145	192808	193146	193147	193148	193149	193150	193151	193152	193153	193154
\emptyset	30	31	32	33	34	35	36	37	38	39	40	41	42
Id. No.	193155	193156	193083	193157	193158	193159	193160	193161	193162	193163	193164	193165	193219

Collets in 0.5 mm increments on request.

SQUARE**

\square	7Δ	8$\Delta\Delta$	9$\Delta\Delta$	10$\Delta\Delta$	11$\Delta\Delta$	12$\Delta\Delta$	13$\Delta\Delta$	14$\Delta\Delta$	15$\Delta\Delta$	16$\Delta\Delta$	17$\Delta\Delta$	18$\Delta\Delta$	19$\Delta\Delta$
Id. No.	192212	192213	192214	192215	192216	192217	192218	192219	192220	192221	192222	192223	192224
\square	20$\Delta\Delta$	21$\Delta\Delta$	22$\Delta\Delta$	23$\Delta\Delta$	24$\Delta\Delta$	25$\Delta\Delta$	26$\Delta\Delta$	27$\Delta\Delta$	28$\Delta\Delta$	29$\Delta\Delta$	30$\Delta\Delta$		
Id. No.	192225	192226	192227	192228	192229	192230	192231	192232	192233	192234	192235		

HEXAGONAL**

\hexagon	7Δ	8$\Delta\Delta$	9$\Delta\Delta$	10$\Delta\Delta$	11$\Delta\Delta$	12$\Delta\Delta$	13$\Delta\Delta$	14$\Delta\Delta$	15$\Delta\Delta$	16$\Delta\Delta$	17$\Delta\Delta$	18$\Delta\Delta$	19$\Delta\Delta$
Id. No.	192236	192237	192238	192239	192240	192241	192242	192243	192244	192245	192246	192247	192248
\hexagon	20$\Delta\Delta$	21$\Delta\Delta$	22$\Delta\Delta$	23$\Delta\Delta$	24$\Delta\Delta$	25$\Delta\Delta$	26$\Delta\Delta$	27$\Delta\Delta$	28$\Delta\Delta$	29$\Delta\Delta$	30$\Delta\Delta$	31$\Delta\Delta$	32$\Delta\Delta$
Id. No.	192249	192250	192251	192252	192253	192254	192255	192256	192257	192258	192259	192260	192261

Soft steel collets (pre-bored)

ROUND

\emptyset	5	15	30										
Id. No.	192262	192263	192264										

Boring ring 42 for soft steel collets

Id. No.	193399												
---------	--------	--	--	--	--	--	--	--	--	--	--	--	--

* Concentricity similar DIN 6343.

** Concentricity has to be agreed.

Changing unit

		Size	COMOT-AZ 42
	Accessories		
	Manual		196842
	Pneumatic		192151

Collets for COMOT-AZ 65

Steel collets with axial and radial grooves (Δ smooth, $\Delta\Delta$ radial grooves)

ROUND*

\emptyset	5 Δ	6 Δ	7 Δ	8 $\Delta\Delta$	9 $\Delta\Delta$	10 $\Delta\Delta$	11	12	13	14	15	16	17
Id. No.	192265	192266	192267	192268	192269	192270	192271	192272	192273	192274	192275	192276	192277
\emptyset	18	19	20	21	22	23	24	25	26	27	28	29	30
Id. No.	192278	192279	192280	192281	192282	192283	192284	192285	192286	192287	192288	192289	192290
\emptyset	31	32	33	34	35	36	37	38	39	40	41	42	43
Id. No.	192291	192292	192293	192294	192295	192296	192297	192298	192299	192300	192301	192302	192303
\emptyset	44	45	46	47	48	49	50	51	52	53	54	55	56
Id. No.	192304	192305	192306	192307	192308	192309	192310	192311	192312	192313	192314	192315	192316
\emptyset	57	58	59	60	61	62	63	64	65				
Id. No.	192317	192318	192319	192320	192321	192322	192323	192324	192325				

Collets in 0.5 mm increments on request.

Steel collets with smooth clamping surface

ROUND*

\emptyset	5	6	7	8	9	10	11	12	13	14	15	16	17
Id. No.	192265	192266	192267	193172	193173	192682	193174	192787	193175	193176	193177	193169	193178
\emptyset	18	19	20	21	22	23	24	25	26	27	28	29	30
Id. No.	193179	193180	193181	193182	192683	193183	193170	193065	193184	193066	193068	193069	193070
\emptyset	31	32	33	34	35	36	37	38	39	40	41	42	43
Id. No.	193185	192684	193186	193187	193188	193189	193190	193191	193192	192685	193193	193194	193171
\emptyset	44	45	46	47	48	49	50	51	52	53	54	55	56
Id. No.	193196	193197	193198	193199	193200	193201	193202	193203	193204	193205	193206	193207	193208
\emptyset	57	58	59	60	61	62	63	64	65				
Id. No.	193195	193209	193210	193211	193212	193213	193214	193215	193216				

Collets in 0.5 mm increments on request.

SQUARE**

\square	8 $\Delta\Delta$	9 $\Delta\Delta$	10 $\Delta\Delta$	11 $\Delta\Delta$	12 $\Delta\Delta$	13 $\Delta\Delta$	14 $\Delta\Delta$	15 $\Delta\Delta$	16 $\Delta\Delta$	17 $\Delta\Delta$	18 $\Delta\Delta$	19 $\Delta\Delta$	20 $\Delta\Delta$
Id. No.	192326	192327	192328	192329	192330	192331	192332	192333	192334	192335	192336	192337	192338
\square	21 $\Delta\Delta$	22 $\Delta\Delta$	23 $\Delta\Delta$	24 $\Delta\Delta$	25 $\Delta\Delta$	26 $\Delta\Delta$	27 $\Delta\Delta$	28 $\Delta\Delta$	29 $\Delta\Delta$	30 $\Delta\Delta$	31 $\Delta\Delta$	32 $\Delta\Delta$	33 $\Delta\Delta$
Id. No.	192339	192340	192341	192342	192343	192344	192345	192346	192347	192348	192349	192350	192351
\square	34 $\Delta\Delta$	35 $\Delta\Delta$	36 $\Delta\Delta$	37 $\Delta\Delta$	38 $\Delta\Delta$	39 $\Delta\Delta$	40 $\Delta\Delta$	41 $\Delta\Delta$	42 $\Delta\Delta$	43 $\Delta\Delta$	44 $\Delta\Delta$	45 $\Delta\Delta$	46 $\Delta\Delta$
Id. No.	192352	192353	192354	192355	192356	192357	192358	192359	192360	192361	192362	192363	192364

HEXAGONAL**

\hexagon	10 $\Delta\Delta$	11 $\Delta\Delta$	12 $\Delta\Delta$	13 $\Delta\Delta$	14 $\Delta\Delta$	15 $\Delta\Delta$	16 $\Delta\Delta$	17 $\Delta\Delta$	18 $\Delta\Delta$	19 $\Delta\Delta$	20 $\Delta\Delta$	21 $\Delta\Delta$	22 $\Delta\Delta$
Id. No.	192365	192366	192367	192368	192369	192370	192371	192372	192373	192374	192375	192376	192377
\hexagon	23 $\Delta\Delta$	24 $\Delta\Delta$	25 $\Delta\Delta$	26 $\Delta\Delta$	27 $\Delta\Delta$	28 $\Delta\Delta$	29 $\Delta\Delta$	30 $\Delta\Delta$	31 $\Delta\Delta$	32 $\Delta\Delta$	33 $\Delta\Delta$	34 $\Delta\Delta$	35 $\Delta\Delta$
Id. No.	192378	192379	192380	192381	192382	192383	192384	192385	192386	192387	192388	192389	192390
\hexagon	36 $\Delta\Delta$	37 $\Delta\Delta$	38 $\Delta\Delta$	39 $\Delta\Delta$	40 $\Delta\Delta$	41 $\Delta\Delta$	42 $\Delta\Delta$	43 $\Delta\Delta$	44 $\Delta\Delta$	45 $\Delta\Delta$	46 $\Delta\Delta$	47 $\Delta\Delta$	48 $\Delta\Delta$
Id. No.	192391	192392	192393	192394	192395	192396	192397	192398	192399	192400	192401	192402	192403
\hexagon	49 $\Delta\Delta$	50 $\Delta\Delta$											
Id. No.	192404	192405											

Soft steel collets (pre-bored)

ROUND

\emptyset	8	20	40										
Id. No.	192406	192407	192408										

Boring ring 65 for soft steel collets

Id. No.	193400												
---------	--------	--	--	--	--	--	--	--	--	--	--	--	--

* Concentricity similar DIN 6343.

** Concentricity has to be agreed.

Changing unit

	Accessories	Size	COMOT-AZ 65
	Manual		196844
	Pneumatic		192153

Collets for COMOT-AZ 100

Steel collets with axial and radial grooves ROUND*


∅	42	43	44	45	46	47	48	49	50	51	52	53	54
Id. No.	195081	195082	195083	195084	195085	195086	195087	195088	195089	195090	195091	195092	195093
∅	55	56	57	58	59	60	61	62	63	64	65	66	67
Id. No.	195094	195095	195096	195097	195098	195099	195100	195101	195102	195103	195104	195105	195106
∅	68	69	70	71	72	73	74	75	76	77	78	79	80
Id. No.	195107	195108	195109	195110	195111	195112	195113	195114	195115	195116	195117	195118	195119
∅	81	82	83	84	85	86	87	88	89	90	91	92	93
Id. No.	195120	195121	195122	195123	195124	195125	195126	195127	195128	195129	195130	195131	195132
∅	94	95	96	97	98	99	100						
Id. No.	195133	195134	195135	195136	195137	195138	194742						

Steel collets with smooth clamping surface ROUND*

∅	42	43	44	45	46	47	48	49	50	51	52	53	54
Id. No.	195141	195142	195143	195144	195145	195146	195147	195148	195149	195150	195151	195152	195153
∅	55	56	57	58	59	60	61	62	63	64	65	66	67
Id. No.	195154	195155	195156	195157	195158	195159	195160	195161	195162	195163	195164	195165	195166
∅	68	69	70	71	72	73	74	75	76	77	78	79	80
Id. No.	195167	195168	195169	195170	195171	195172	195173	195174	195175	195176	195177	195178	195179
∅	81	82	83	84	85	86	87	88	89	90	91	92	93
Id. No.	195180	195181	195182	195183	195184	195185	195186	195187	195188	194743	195189	195190	195191
∅	94	95	96	97	98	99	100						
Id. No.	195192	195193	195194	195195	195196	195197	195198						

* Concentricity similar DIN 6343.

Changing unit

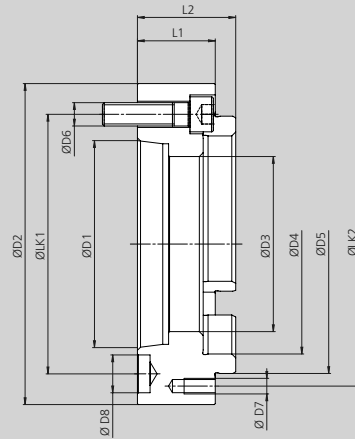
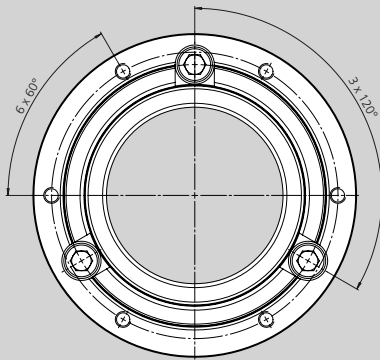
	Size	COMOT-AZ 100
	Accessories Pneumatic	194744

Adapters

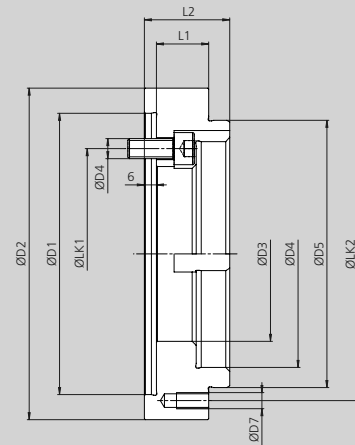
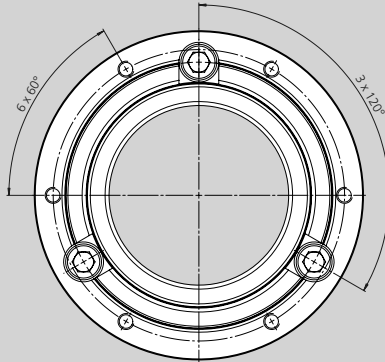
- COMOT have cylindrical mounting
- Adapters for DIN 55026 / ISO-A 702-1 / ISO-A 702-1 spindle noses

ISO-A for expanding mandrels

A



ZA



Subject to technical changes.
For more detailed information please ask our customer service.

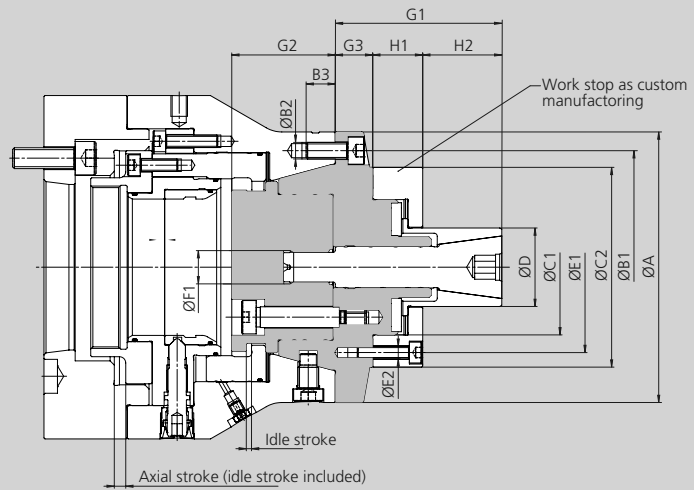
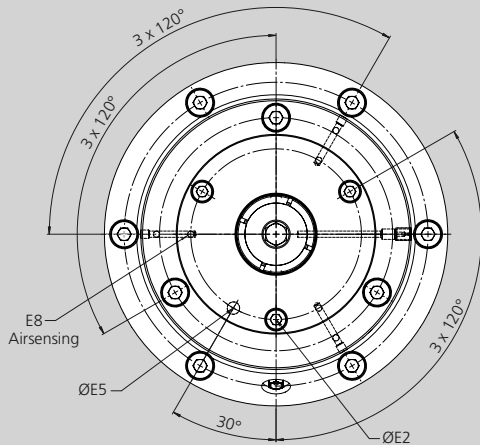
Technical data

Id. No.	SMW-AUTOBLOK Type	Spindle head ISO 702-1 (A)	Spindle head ISO 702-4 (ZA)	D1	D2	D3	D4	D5	LK1	D6	LK2	D7	D8	L1	L2	
9700220005	COMOT 42	mm	A5	-	82.563	144	65	90	110	104.8	3 x M10	126	6 x M8	16.3	38	48.5
9700220006		mm	A6	-	106.375	165	65	90	110	133.4	3 x M12	126	6 x M8	19.45	38	48.5
9700220140		mm	-	140	140	150	65	90	110	104.8	3 x M10	126	6 x M8	-	24	40.5
9700220170		mm	-	170	170	180	65	90	110	133.4	3 x M12	126	6 x M8	-	24	40.5
9700420005	COMOT 65	mm	A5	-	82.563	165	90	113	133	104.8	3 x M10	146	6 x M8	16.3	40	50.5
9700420006		mm	A6	-	106.375	165	90	113	133	133.4	3 x M12	146	6 x M8	19.45	40	50.5
9700420008		mm	A8	-	139.719	210	90	113	133	171.4	3 x M16	146	6 x M8	24.2	40	50.5
9700420140		mm	-	140	140	165	87	113	133	104.8	3 x M10	146	6 x M8	-	26	42.5
9700420170		mm	-	170	170	180	90	113	133	133.4	3 x M12	146	6 x M8	-	26	42.5
9700420220		mm	-	220	220	230	90	113	133	171.4	3 x M16	146	6 x M8	-	26	42.5
9700620006	COMOT 100	mm	A6	-	106.375	230	130 / 103	163	185	133.4	3 x M12	208	6 x M10	19.45	59	70
9700620008		mm	A8	-	139.719	230	130	163	185	171.4	3 x M16	208	6 x M10	24.2	54	65
9700620011		mm	A11	-	196.869	280	130	163	185	235	3 x M20	208	6 x M10	29.4	56	67
9700620170		mm	-	Z170	170	230	130	163	185	133.4	3 x M12	208	6 x M10	-	59	76
9700620220		mm	-	Z220	220	235	130	163	185	171.4	3 x M16	208	6 x M10	-	45	62

Ordering review (chuck with flange)

SMW-AUTOBLOK Type	COMOT-AZ-42	COMOT-AZ-65	COMOT-AZ-100
Id No. Chuck without flange	9700210000	9700410000	9700610000
A05	9700200005	9700400005	-
A06	9700200006	9700400006	9700600006
A08	-	9700400008	9700600008
A11	-	-	9700600011
Z140	9700200140	9700400140	-
Z170	9700200170	9700400170	9700600170
Z220	-	9700400220	9700600220

Extension sleeve mandrels EMX-F-CO for COMOT-AZ



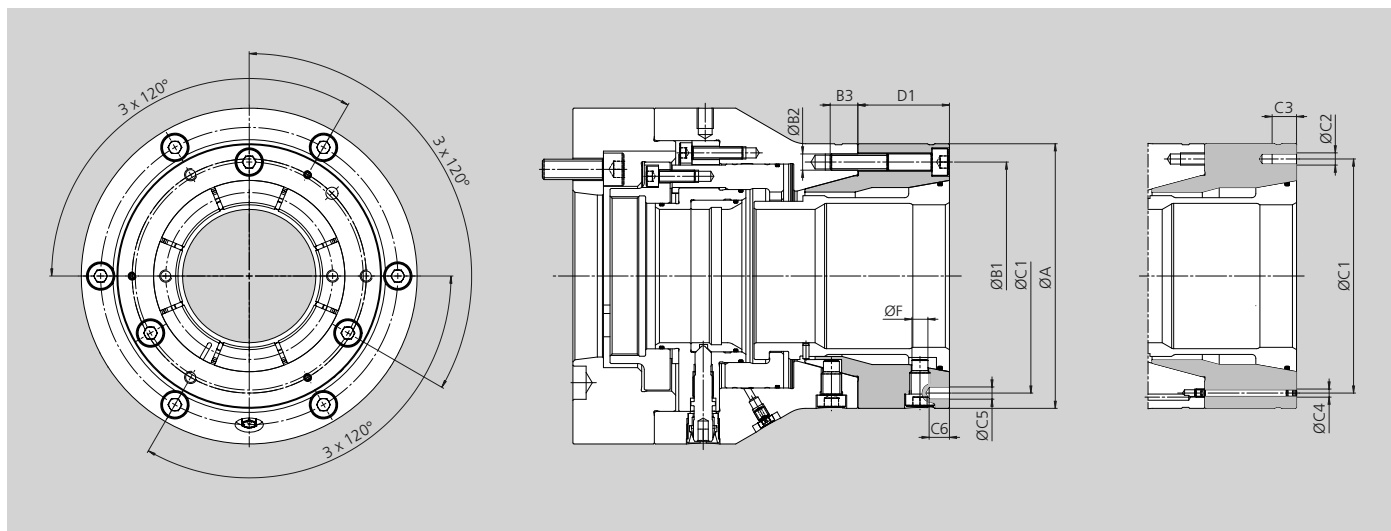
SMW-AUTOBLOK Chuck type	COMOT-AZ-42			COMOT-AZ-65			COMOT-AZ-100					
SMW-AUTOBLOK Mandrel type	EMX-F-1- CO-42	EMX-F-2- CO-42	EMX-F-3- CO-42	EMX-F-1- CO-65	EMX-F-2- CO-65	EMX-F-3- CO-65	EMX-F1- CO-100	EMX-F2- CO-100	EMX-F3- CO-100	EMX-F4- CO-100	EMX-F5- CO-100	
Id. No.	9700251100	9700251200	9700251300	9700451100	9700451200	9700451300	9700651100	9700651200	9700651300	9700651400	9700651500	
A	110			130			180					
B1	93			112			162					
B2	3 x M8			3 x M8			3 x M8	3 x M8	6 x M8	6 x M8	6 x M8	
B3	12,6	12,6	14	12,6	12,6	12,6	12	12	12	12,6	12,6	
C1	42	52	65	42	52	65	42	52	65	88	112	
C2	110			130			130	130	130	180	180	
D	19.7 - 30.3	27.7 - 40.3	34.7 - 55.5	19.7 - 30.3	27.7 - 40.3	34.7 - 55.5	19.7 - 30.3	27.7 - 40.3	34.7 - 55.5	49.7 - 75.5	69.7 - 95.9	
E1	65 / 93	75	90	65 / 112	75 / 112	90 / 112	65 / 112	75 / 112	90 / 112	112 / 162	162	
E2	3 x 120° / depth / pitch circle E1	M6 / 12			M6 / 12			M6 / 12	M6 / 12	M6 / 12	M8 / 16	M8 / 16
E4	65	75	90	65	75	90	65	75	90	112	135	
E5	H7 / depth / pitch circle E4	Ø 6 / 12			Ø 6 / 12			Ø 6 / 12				
E7	65	75	90	65	75	90	65	75	90	112	135	
E8	3 x 120° pitch circle E7	Ø3			Ø3			Ø3				
F1	M10 x 1	M14 x 1.5	M16 x 1.5	M10 x 1	M14 x 1.5	M16 x 1.5	M10 x 1	M14 x 1.5	M16 x 1.5	M16 x 1.5	M20 x 1.5	
G1	61	68	76	61	68	76	65	72	80	93	115	
G2	Unclamped position	39	39.6	39	50	50.4	49.8	57	57.6	57	55	
G3		16		16			20	20	20	16	16	
H1 min.	18	18	22	18	18	22	18	18	22	25	30	
H2 max.	27	34	38	27	34	38	27	34	38	52	69	

SMW-AUTOBLOK Chuck type	COMOT-AZ-42			COMOT-AZ-65			COMOT-AZ-100				
Axial stroke chuck	5.5			5.5			8				
Idle stroke	2.5	2.7	2.5	2.5	2.7	2.5	5	5.6	5	5	3
Axial stroke mandrel	3	2.4	3	3	2.4	3	3	2.4	3	3	5
Expansion in Ø	0.6	0.6	0.8	0.6	0.6	0.8	0.6	0.6	0.8	0.8	1.2
Max. Actuating force in kN	12	20	25	12	20	25	12	20	25	25	30
Max. Clamping force radial in kN	61	90	113	61	90	113	61	90	113	113	159
Max. Speed r.p.m.	5000	5000	5000	4000	4000	4000	3500	3500	3500	3500	3500

Note: Taper, Sleeve, disc please refer to expanding mandrel EMX-F

■ Ordering review

Premium adapter PA COMOT



SMW-AUTOBLOK Type			COMOT-AZ-65	COMOT-AZ-100
Id. No.			9700430000	9700630000
A	-0,02 / -0,05	mm	130	180
B1		mm	112	162
B2	3 x 120°		3 x M8	6 x M8
B3		mm	13.6	13.6
C1		mm	115	162
C2	3 x 120°		3 x M6	6 x M6
C3		mm	12	12
C4	3 x 120°		3 x M4	3 x M4
C5	H7	mm	6	6
C6		mm	10	10
D1		mm	45	55
F		mm	7.8	7.8

Notes

A large rectangular area filled with horizontal stripes in two shades of blue: a medium blue and a light blue. The stripes alternate in a repeating pattern, creating a template for writing notes.

Manual or power operated expanding mandrels

Adapter flanges



EMX-P
Power operated sleeve expanding mandrels
 Ø 14.7 - 131.7 mm

- Highest repeatability
- Size 1 - 11
- Large expansibility
- Preparation for air sensing
- Segment sleeves vulcanized (option)

Page 292



EMX-F/FP
Power operated sleeve expanding mandrels
 Ø 19.7 - 132.9 mm

- Highest repeatability
- Size 1 - 6
- Large expansibility
- Preparation for air sensing
- FP: With pull-down
- Segment sleeves vulcanized (option)

Page 296



EMX-C
Power operated segment expanding mandrels
 Ø 25 - 121 mm

- Highest repeatability
- Size 1 - 5
- Large expansibility
- Preparation for air sensing
- Case hardened / wear resistant segment sleeves

Page 300



Adapter flanges
EMX-P, EMX-F/FP, EMX-C
 ISO-A
for sleeve expanding mandrels

- The sleeve expanding mandrels have a cylindrical admission
- Flanges for machine spindle
 DIN 55026 / ISO-A 702/1

Page 303



EMX-S
Power operated expanding mandrels
 Ø 18 - 105 mm

- For turning, grinding and milling
- Size 1 - 5
- Case hardened / wear resistant segment sleeves
- Large expansibility
- Very rigid design

Page 304



Adapter flanges
EMX-S
 ISO-A
for sleeve expanding mandrels

- The sleeve expanding mandrels have a cylindrical admission
- Flanges for machine spindle
 DIN 55026 / ISO-A 702/1

Page 306



EM-A, EM-AL
Hand or power operated expanding mandrels
 Ø 14.7 - 129.7 mm

- Size 1 - 11
- Large expansibility
- Flange mounting
- Very rigid design

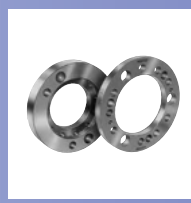
Page 308



EM-B
Hand or power operated expanding mandrels
 Ø 16.0 - 129.5 mm

- Size 0 - 4
- Large expansibility
- Flange mounting
- Very rigid design

Page 310



Adapter flanges
EM-A, EM-B
 ISO-A
for expanding mandrels

- The expanding mandrels have a cylindrical admission
- Flanges for machine spindle
 DIN 55026 / ISO-A 702/1

Page 312



Special mandrels
Special solutions for your applications

Page 313



Special clamping solutions
Application examples

- Sliding jaw collet chuck
- Special sleeve mandrels
- Sliding jaw mandrels
- Combination chuck

Page 314

EMX-P

Expanding mandrel
Power operated

Expanding mandrel Ø 14.7 - 131.7 mm

- Size 1 - 11
- Highest concentricity
- Air sensing



Application/customer benefits

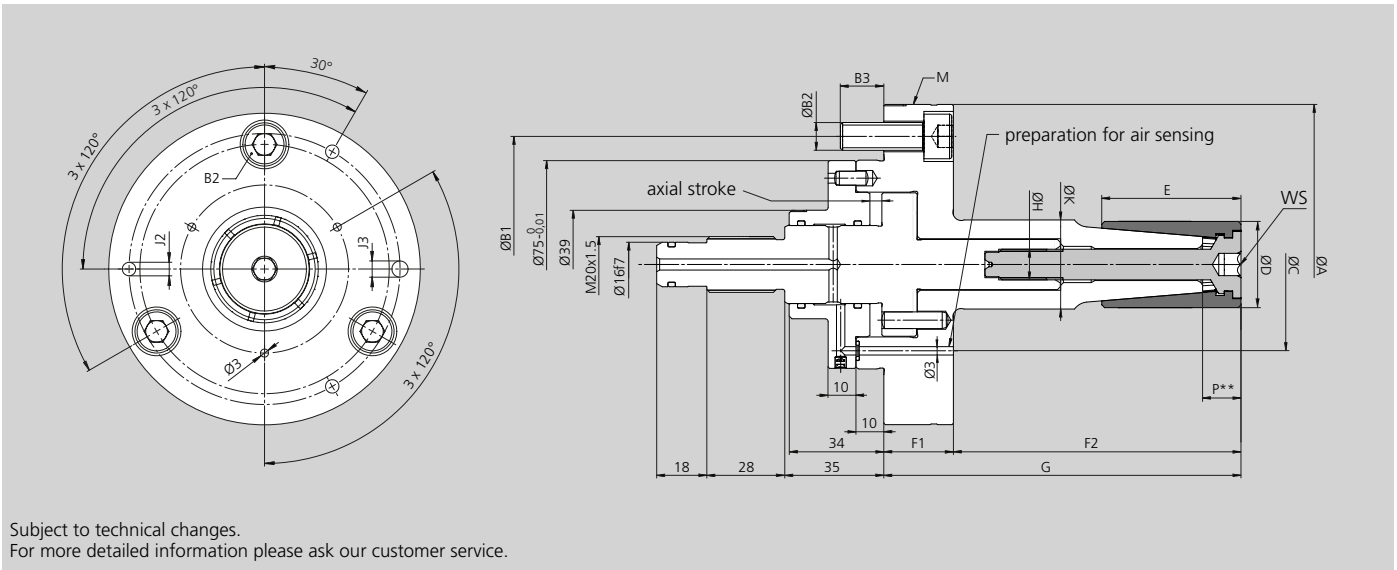
- For turning, milling, grinding and gear cutting operations
- High accuracy and torque transmission due to fixed arbor
- Axial pull down by axial movement of the clamping sleeve during actuation
- Quick set-up

Technical features

- Large expansibility (1 mm in diameter)
- Power operated / manual lubrication
- Flange mounting
- Very rigid design
- Vulcanized expanding sleeve for protection from the penetration of chips (option)
- Preparation for air sensing

Standard equipment

Basic mandrel with draw bolt for power operation
Mounting bolts



Subject to technical changes.
For more detailed information please ask our customer service.

SMW-AUTOBLOK Type Id. No.	EMX-P-1 9310000	EMX-P-2 9320000	EMX-P-3 9330000	EMX-P-4 9340000	EMX-P-5 9350000	EMX-P-6 9360000	EMX-P-7 9370000	EMX-P-8 9380000	EMX-P-9 9390000	EMX-P-10 9300000	EMX-P-11 9310010	
A	115	115	115	115	115	115	135	135	135	135	135	
B1	92	92	92	92	92	92	112	112	112	112	112	
B2	3 x M10	3 x M10	3 x M10	3 x M10	3 x M10	3 x M10	3 x M10	3 x M10	3 x M10	3 x M10	3 x M10	
B3	15.6	15.6	15.6	15.6	15.6	15.6	15.6	15.6	15.6	15.6	15.6	
C	62	62	62	62	62	62	62	76	85	98	110	
D	3 x 120° Ø 3											
E	14.7 - 19.7	19.7 - 24.7	24.7 - 29.7	29.7 - 34.7	34.7 - 39.7	39.7 - 44.7	44.7 - 54.7	54.7 - 64.7	64.7 - 81.7	81.7 - 101.7	101.7 - 131.7	
F1	35	40	46	50	60	60	80	90	100	122	140	
F2	25	25	25	25	25	25	25	25	25	25	25	
G	75	85	96	105	115	115	151	157	191	217	244	
H	100	110	121	130	140	140	176	182	216	242	269	
J1	M6	M8	M10	M11x1.5	M12	M14	M14	M14	M14	M20	M20	
J2	100	100	100	100	100	100	115	115	115	115	115	
J3	3 x M6	3 x M6	3 x M6	3 x M6	3 x M6	3 x M6	3 x M8	3 x M8	3 x M8	3 x M8	3 x M8	
K	H7	6	6	6	6	6	8	8	8	8	8	
M transport	f8	22	27	29	32	35	38	42	50	60	73	
P**	-	-	-	-	-	-	-	-	3 x M8	3 x M8	3 x M8	
WS (hex)	13	15	15	15.5	16	16.5	18.5	20.5	21	21.5	25.2	
	WS4	WS4	WS6	WS8	WS8	WS8	WS8	WS8	WS10	WS10	WS12	

Technical data

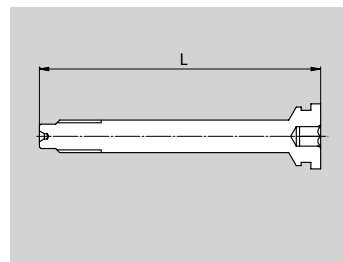
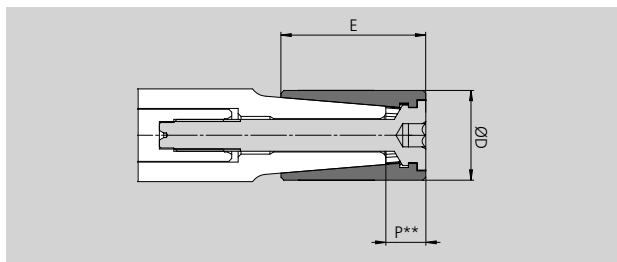
SMW-AUTOBLOK Type Id. No.	EMX-P-1 9310000	EMX-P-2 9320000	EMX-P-3 9330000	EMX-P-4 9340000	EMX-P-5 9350000	EMX-P-6 9360000	EMX-P-7 9370000	EMX-P-8 9380000	EMX-P-9 9390000	EMX-P-10 9300000	EMX-P-11 9310010
Axial stroke	6.0	6.0	6.0	6.0	6.0	6.0	6.0	6.0	6.0	6.0	6.0
Sleeve expansion Ø *	1.0	1.0	1.0	1.0	1.0	1.0	1.0	1.0	1.0	1.0	1.0
Max. axial force in kN	7	7	12	12	15	20	20	20	25	25	30
Max. transmittable torque in Nm	20	28	60	70	100	150	170	210	320	400	570
Weight in kg	2.9	3.0	3.1	3.2	3.3	3.4	4.6	5.2	6.6	8.7	11.9
Rec. actuating cylinders	SIN-S 70	SIN-S 70	SIN-S 85	SIN-S 85	SIN-S 85	SIN-S 100	SIN-S 100	SIN-S 100	SIN-S 100	SIN-S 100	SIN-S 125

All measurements in unclamped position = Right end position.

* From nominal dimension.

** Clamping on area P only is not allowed.

Ordering review



Basic mandrel							Clamping sleeve* with actuating screw		Actuating screw	
Type	Id. No.	Clamping range	ØD	E	Expansibility	P**	Id. No.	Id. No.	L	
EMX-P-1	9310000	14.7 - 19.7	14.7	35	1	12.7	9310147	9310002000	75.5	
			15.7	35	1	12.7	9310157			
			16.7	35	1	12.7	9310167			
			17.7	35	1	12.7	9310177			
			18.7	35	1	12.7	9310187			
EMX-P-2	9320000	19.7 - 24.7	19.7	40	1	14.7	9320197	9320002000	80	
			20.7	40	1	14.7	9320207			
			21.7	40	1	14.7	9320217			
			22.7	40	1	14.7	9320227			
			23.7	40	1	14.7	9320237			
EMX-P-3	9330000	24.7 - 29.7	24.7	46	1	14.7	9330247	9330002000	86.5	
			25.7	46	1	14.7	9330257			
			26.7	46	1	14.7	9330267			
			27.7	46	1	14.7	9330277			
			28.7	46	1	14.7	9330287			
EMX-P-4	9340000	29.7 - 34.7	29.7	50	1	15.2	9340297	9340002000	92	
			30.7	50	1	15.2	9340307			
			31.7	50	1	15.2	9340317			
			32.7	50	1	15.2	9340327			
			33.7	50	1	15.2	9340337			
EMX-P-5	9350000	34.7 - 39.7	34.7	60	1	15.7	9350347	9350002000	102	
			35.7	60	1	15.7	9350357			
			36.7	60	1	15.7	9350367			
			37.7	60	1	15.7	9350377			
			38.7	60	1	15.7	9350387			
EMX-P-6	9360000	39.7 - 44.7	39.7	60	1	16.2	9360397	9360002000	102	
			40.7	60	1	16.2	9360407			
			41.7	60	1	16.2	9360417			
			42.7	60	1	16.2	9360427			
			43.7	60	1	16.2	9360437			
EMX-P-7	9370000	44.7 - 54.7	44.7	80	1	18.2	9370447	9370002000	116	
			45.7	80	1	18.2	9370457			
			46.7	80	1	18.2	9370467			
			47.7	80	1	18.2	9370477			
			48.7	80	1	18.2	9370487			
EMX-P-8	9380000	54.7 - 64.7	49.7	80	1	18.2	9370497	9380002000	126	
			50.7	80	1	18.2	9370507			
			51.7	80	1	18.2	9370517			
			52.7	80	1	18.2	9370527			
			53.7	80	1	18.2	9370537			
EMX-P-9	9390000	64.7 - 81.7	54.7	90	1	20.2	9380547	9390002000	136	
			55.7	90	1	20.2	9380557			
			56.7	90	1	20.2	9380567			
			57.7	90	1	20.2	9380577			
			58.7	90	1	20.2	9380587			
			59.7	90	1	20.2	9380597			
			60.7	90	1	20.2	9380607			
			61.7	90	1	20.2	9380617			
			62.7	90	1	20.2	9380627			
			63.7	90	1	20.2	9380637			
			64.7	100	1	20.7	9390647			
			65.7	100	1	20.7	9390657			
			66.7	100	1	20.7	9390667			
			67.7	100	1	20.7	9390677			
			68.7	100	1	20.7	9390687			
			69.7	100	1	20.7	9390697			
			70.7	100	1	20.7	9390707			
			71.7	100	1	20.7	9390717			
			72.7	100	1	20.7	9390727			
			73.7	100	1	20.7	9390737			
74.7	100	1	20.7	9390747						
75.7	100	1	20.7	9390757						
76.7	100	1	20.7	9390767						
77.7	100	1	20.7	9390777						
78.7	100	1	20.7	9390787						
79.7	100	1	20.7	9390797						
80.7	100	1	20.7	9390807						

* Id. No. XXXXXX-V = Clamping sleeve vulcanized.

** Clamping on area P only is not allowed.

EMX-P

Expanding mandrel Ø 14.7 - 131.7 mm

Expanding mandrel
Power operated

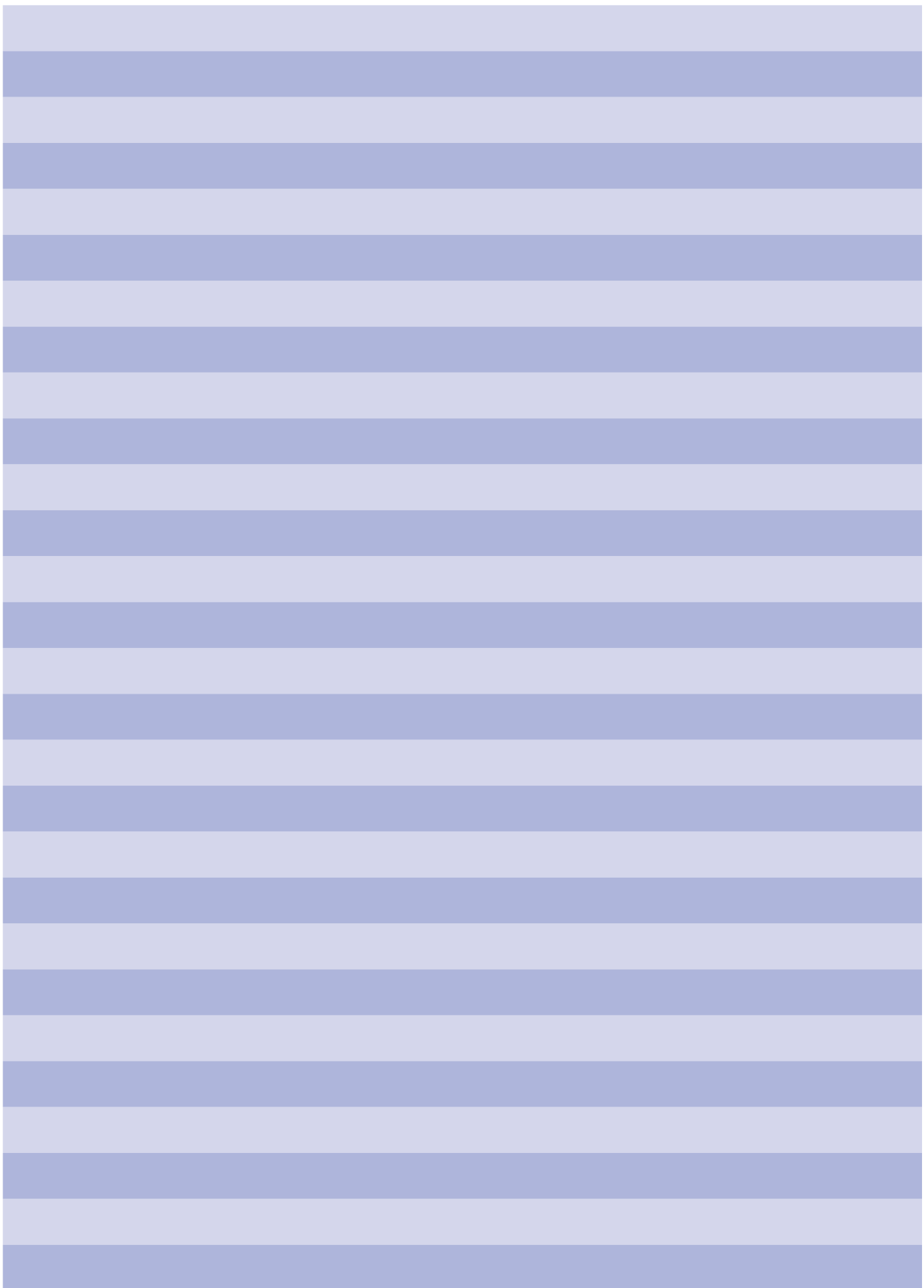
■ Ordering review

Basic mandrel							Clamping sleeve* with actuating screw	Actuation screw	
Type	Id. No.	Clamping range	ØD	E	Expansibility	P**	Id. No.	Id. No.	L
EMX-P-10	9300000	81.7 - 101.7	81.7	122	1	21.7	9300817	9300002000	164
			82.7	122	1	21.7	9300827		
			83.7	122	1	21.7	9300837		
			84.7	122	1	21.7	9300847		
			85.7	122	1	21.7	9300857		
			86.7	122	1	21.7	9300867		
			87.7	122	1	21.7	9300877		
			88.7	122	1	21.7	9300887		
			89.7	122	1	21.7	9300897		
			90.7	122	1	21.7	9300907		
			91.7	122	1	21.7	9300917		
			92.7	122	1	21.7	9300927		
			93.7	122	1	21.7	9300937		
			94.7	122	1	21.7	9300947		
			95.7	122	1	21.7	9300957		
			96.7	122	1	21.7	9300967		
			97.7	122	1	21.7	9300977		
			98.7	122	1	21.7	9300987		
			99.7	122	1	21.7	9300997		
			EMX-P-11	9310010	101.7 - 131.7	100.7	122		
101.7	140	1				26.2	9311017		
102.7	140	1				26.2	9311027		
103.7	140	1				26.2	9311037		
104.7	140	1				26.2	9311047		
105.7	140	1				26.2	9311057		
106.7	140	1				26.2	9311067		
107.7	140	1				26.2	9311077		
108.7	140	1				26.2	9311087		
109.7	140	1				26.2	9311097		
110.7	140	1				26.2	9311107		
111.7	140	1				26.2	9311117		
112.7	140	1				26.2	9311127		
113.7	140	1				26.2	9311137		
114.7	140	1				26.2	9311147		
115.7	140	1				26.2	9311157		
116.7	140	1				26.2	9311167		
117.7	140	1				26.2	9311177		
118.7	140	1				26.2	9311187		
119.7	140	1				26.2	9311197		
120.7	140	1	26.2	9311207					
121.7	140	1	26.2	9311217					
122.7	140	1	26.2	9311227					
123.7	140	1	26.2	9311237					
124.7	140	1	26.2	9311247					
125.7	140	1	26.2	9311257					
126.7	140	1	26.2	9311267					
127.7	140	1	26.2	9311277					
128.7	140	1	26.2	9311287					
129.7	140	1	26.2	9311297					
130.7	140	1	26.2	9311307					

* Id. No. XXXXXX-v = Clamping sleeve vulcanized.

** Clamping on area P only is not allowed.

Notes



EMX-F/FP

Expanding mandrel
Power operated

Expanding mandrel Ø 19.7 - 132.9 mm

- Size 1 - 6
- Highest concentricity
- Air sensing



Application/customer benefits

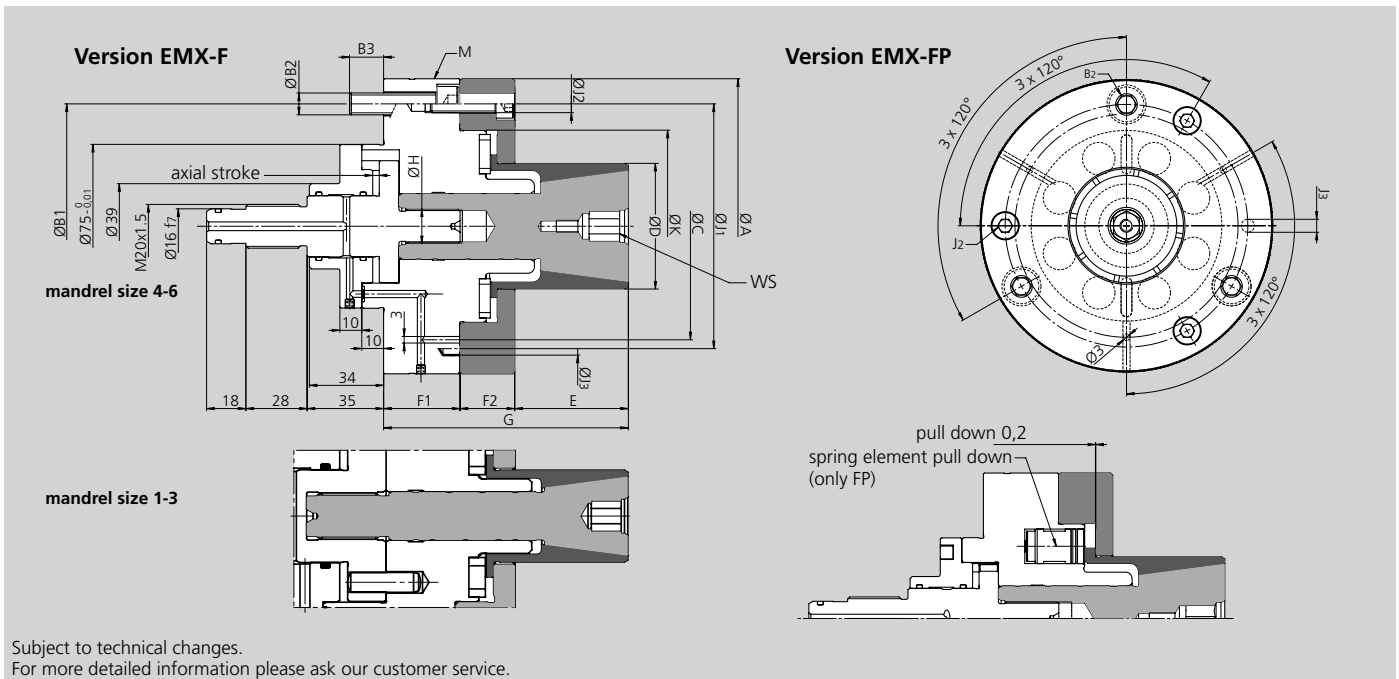
- For turning, milling, grinding and gear cutting operations
- High accuracy and torque transmission
- Clamping of very short workpieces on the front section of the sleeve possible
- FP: With axial pull down for best face run out

Technical features

- Large expansibility 0.6 - 1.2 mm depending on size
- Power operated / manual lubrication
- Flange mounting
- Very rigid design
- Vulcanized expanding sleeve for protection from the penetration of chips (option)
- Preparation for air sensing

Standard equipment

Basic mandrel with draw bolt for power operation
Mounting bolts



Subject to technical changes.
For more detailed information please ask our customer service.

SMW-AUTOBLOK Type	EMX-F/FP-1	EMX-F/FP-2	EMX-F/FP-3	EMX-F/FP-4	EMX-F/FP-5	EMX-F/FP-6
Id. No.	EMX-F 9110000	9120000	9130000	9140000	9150000	9160000
	EMX-FP 9210000	9220000	9230000	9240000	9250000	9260000
A	115	115	115	135	165	210
B1	92	92	92	112	140	182
B2	3 x M10	3 x M10	3 x M10	3 x M10	3 x M12	3 x M12
B3	15.6	15.6	15.6	15.6	17.9	17.9
C	3 x 120° Ø 3 62	62	86	112	140	182
D	Clamping range 19.7 - 30.3	27.7 - 40.3	34.7 - 55.5	49.7 - 75.5	69.7 - 95.9	89.7 - 132.9
E	27	34	38	52	69	81
F1	30	30	30	35	40	40
F2	18	18	22	25	30	33
G	75	82	90	112	139	154
H	M10 x 1	M14 x 1.5	M16 x 1.5	M16 x 1.5	M20 x 1.5	M20 x 1.5
J1	100	100	100	112	140	182
J2	3 x 120° M6	M6	M6	M8	M8	M8
J3	H7 6	6	6	8	8	8
K	g6 42	52	65	88	112	155
M transport	3 x 120° -	-	-	M8	M10	M10
WS (hex)	WS6	WS8	WS10	WS12	WS14	WS14

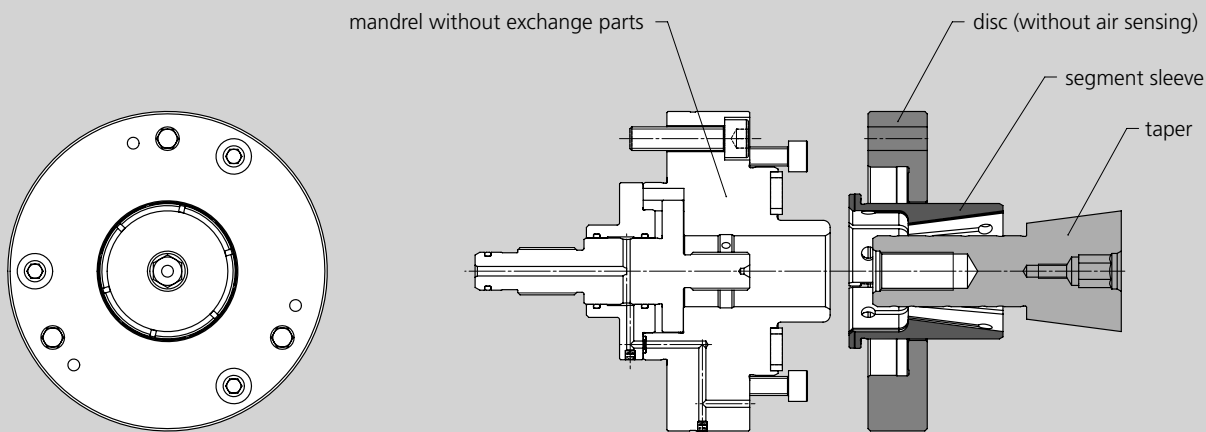
Technical data

SMW-AUTOBLOK Type	EMX-F/FP-1			EMX-F/FP-2			EMX-F/FP-3			EMX-F/FP-4			EMX-F/FP-5			EMX-F/FP-6			
Axial stroke	3.0			2.4			3.0			3.0			5.0			5.0			
Expansibility in dia.	0.6			0.6			0.8			0.8			1.2			1.2			
Max. axial force in kN	12			20			25			25			30			30			
Max. transmittable torque in Nm*	1	2	3	1	2	3	1	2	3	1	2	3	1	2	3	1	2	3	4
	35	50	55	80	100	110	100	115	160	150	180	220	225	255	290	445	500	570	630
Weight in kg	3.3			3.4			3.5			5.3			8.5			14.2			
Actuating cylinders	200			200			250			250			250			250			
	CSN			CSN			SIN-S			SIN-S			SIN-S			SIN-S			
	70			85			100			100			125			125			

* Depending on taper size (1 / 2 / 3)

All measurements in unclamped position = Right end position.

■ Ordering review



Subject to technical changes.
For more detailed information please ask our customer service.

Mandrel without exchange parts						Taper	Disc F / FP	Segment sleeve*			
without pull-down				with pull-down				Id. No.	Id. No.	Id.-No.	ØD
Type	Id. No.	clamping range	sleeve expansion Ø	Type	Id. No.						
EMX-F-1	9110000	19.7 - 30.3	0.6	EMX-FP-1	9210000	9112016	9113021 / 9213021	9110197	19.7		
							9113022 / 9213022	9110202	20.2		
							9113023 / 9213023	9110207	20.7		
							9113024 / 9213024	9110212	21.2		
								9110217	21.7		
								9110222	22.2		
								9110227	22.7		
								9110232	23.2		
								9110237	23.7		
								9110242	24.2		
								9110247	24.7		
								9110252	25.2		
	9110257	25.7									
	9110262	26.2									
	9110267	26.7									
	9110272	27.2									
	9110277	27.7									
	9110282	28.2									
	9110287	28.7									
	9110292	29.2									
	9110297	29.7									
	9120277	27.7									
	9120282	28.2									
	9120287	28.7									
	9120292	29.2									
	9120297	29.7									
	9120302	30.2									
	9120307	30.7									
	9120312	31.2									
	9120317	31.7									
	9120322	32.2									
	9120327	32.7									
	9120332	33.2									
	9120337	33.7									
	9120342	34.2									
	9120347	34.7									
	9120352	35.2									
	9120357	35.7									
	9120362	36.2									
	9120367	36.7									
	9120372	37.2									
	9120377	37.7									
	9120382	38.2									
	9120387	38.7									
	9120392	39.2									
	9120397	39.7									
EMX-F-2	9120000	27.7 - 40.3	0.6	EMX-FP-2	9220000	9122024	9123029 / 9223029	9120277	27.7		
							9123030 / 9223030	9120282	28.2		
							9123031 / 9223031	9120287	28.7		
							9123032 / 9223032	9120292	29.2		
								9120297	29.7		
								9120302	30.2		
								9120307	30.7		
								9120312	31.2		
								9120317	31.7		
								9120322	32.2		
								9120327	32.7		
								9120332	33.2		
	9120337	33.7									
	9120342	34.2									
	9120347	34.7									
	9120352	35.2									
	9120357	35.7									
	9120362	36.2									
	9120367	36.7									
	9120372	37.2									
	9120377	37.7									
	9120382	38.2									
	9120387	38.7									
	9120392	39.2									
	9120397	39.7									

* Id. No. XXXXXX-y = Clamping sleeve vulcanized.

Expanding mandrel
Power operated

■ Ordering review

Mandrel without exchange parts						Taper	Disc F / FP	Segment sleeve*	
without pull-down				with pull-down				Id. No.	ØD
Type	Id. No.	Clamping range	Sleeve expansion Ø	Type	Id. No.				
EMX-F-3	9130000	34.7 - 55.5	0.8	EMX-FP-3	9230000	9132030	9133037 / 9233037	9130347	34.7
							9133038 / 9233038	9130352	35.2
								9130357	35.7
								9130362	36.2
								9130367	36.7
								9130372	37.2
								9130377	37.7
								9130382	38.2
								9130387	38.7
								9130392	39.2
								9130397	39.7
								9130402	40.2
							9130407	40.7	
							9130412	41.2	
							9130417	41.7	
							9130422	42.2	
							9130427	42.7	
							9130432	43.2	
							9130437	43.7	
							9130442	44.2	
							9130447	44.7	
							9130452	45.2	
							9130457	45.7	
							9130462	46.2	
							9130467	46.7	
							9130472	47.2	
							9130477	47.7	
							9130482	48.2	
							9130487	48.7	
							9130492	49.2	
							9130497	49.7	
							9130502	50.2	
							9130507	50.7	
							9130512	51.2	
							9130517	51.7	
							9130522	52.2	
	9130527	52.7							
	9130532	53.2							
	9130537	53.7							
	9130542	54.2							
	9130547	54.7							
	9140497	49.7							
	9140502	50.2							
	9140507	50.7							
	9140512	51.2							
	9140517	51.7							
	9140522	52.2							
	9140527	52.7							
	9140532	53.2							
	9140537	53.7							
	9140542	54.2							
	9140547	54.7							
	9140552	55.2							
	9140557	55.7							
	9140562	56.2							
	9140567	56.7							
	9140572	57.2							
	9140577	57.7							
	9140582	58.2							
	9140587	58.7							
	9140592	59.2							
	9140597	59.7							
	9140602	60.2							
	9140607	60.7							
	9140612	61.2							
	9140617	61.7							
	9140622	62.2							
	9140627	62.7							
	9140632	63.2							
	9140637	63.7							
	9140642	64.2							
	9140647	64.7							
	9140652	65.2							
	9140657	65.7							
	9140662	66.2							
	9140667	66.7							
	9140672	67.2							
	9140677	67.7							
	9140682	68.2							
	9140687	68.7							
	9140692	69.2							
	9140697	69.7							
	9140702	70.2							
	9140707	70.7							
	9140712	71.2							
	9140717	71.7							
	9140722	72.2							
	9140727	72.7							
	9140732	73.2							
	9140737	73.7							
	9140742	74.2							
	9140747	74.7							
EMX-F-4	9140000	49.7 - 75.5	0.8	EMX-FP-4	9240000	9142044	9143052 / 9243052	9140497	49.7
							9143053 / 9243053	9140502	50.2
								9140507	50.7
								9140512	51.2
								9140517	51.7
								9140522	52.2
								9140527	52.7
								9140532	53.2
								9140537	53.7
								9140542	54.2
								9140547	54.7
								9140552	55.2
							9140557	55.7	
							9140562	56.2	
							9140567	56.7	
							9140572	57.2	
							9140577	57.7	
							9140582	58.2	
							9140587	58.7	
							9140592	59.2	
							9140597	59.7	
							9140602	60.2	
							9140607	60.7	
							9140612	61.2	
							9140617	61.7	
							9140622	62.2	
							9140627	62.7	
							9140632	63.2	
							9140637	63.7	
							9140642	64.2	
							9140647	64.7	
							9140652	65.2	
							9140657	65.7	
							9140662	66.2	
							9140667	66.7	
							9140672	67.2	
	9140677	67.7							
	9140682	68.2							
	9140687	68.7							
	9140692	69.2							
	9140697	69.7							
	9140702	70.2							
	9140707	70.7							
	9140712	71.2							
	9140717	71.7							
	9140722	72.2							
	9140727	72.7							
	9140732	73.2							
	9140737	73.7							
	9140742	74.2							
	9140747	74.7							
	9143060 / 9243060	9140602	60.2						
	9143061 / 9243061	9140607	60.7						
	9143062 / 9243062	9140612	61.2						
	9143063 / 9243063	9140617	61.7						
	9143064 / 9243064	9140622	62.2						
	9143065 / 9243065	9140627	62.7						
	9143066 / 9243066	9140632	63.2						
	9143067 / 9243067	9140637	63.7						
		9140642	64.2						
		9140647	64.7						
		9140652	65.2						
		9140657	65.7						
		9140662	66.2						
		9140667	66.7						
		9140672	67.2						
		9140677	67.7						
		9140682	68.2						
		9140687	68.7						
		9140692	69.2						
		9140697	69.7						
		9140702	70.2						
		9140707	70.7						
		9140712	71.2						
		9140717	71.7						
		9140722	72.2						
		9140727	72.7						
		9140732	73.2						
		9140737	73.7						
		9140742	74.2						
		9140747	74.7						

* Id. No. XXXXXX-v = Clamping sleeve vulcanized.

■ Ordering review

Mandrel without exchange parts						Taper	Disc F / FP	Segment sleeve*	
without pull-down				with pull-down				Id. No.	ØD
Type	Id. No.	Clamping range	Sleeve expansion Ø	Type	Id. No.				
EMX-F-5	9150000	69.7 - 95.9	1.2	EMX-FP-5	9250000	9152063	9153072 / 9253072	9150697	69.7
							9153073 / 9253073	9150707	70.7
							9153074 / 9253074	9150717	71.7
							9153075 / 9253075	9150727	72.7
							9153076 / 9253076	9150737	73.7
							9153077 / 9253077	9150747	74.7
							9153078 / 9253078	9150757	75.7
							9153079 / 9253079	9150767	76.7
							9153080 / 9253080	9150777	77.7
							9153081 / 9253081	9150787	78.7
							9153082 / 9253082	9150797	79.7
							9153083 / 9253083	9150807	80.7
							9153084 / 9253084	9150817	81.7
							9153085 / 9253085	9150827	82.7
							9153086 / 9253086	9150837	83.7
9153087 / 9253087	9150847	84.7							
9153088 / 9253088	9150857	85.7							
9153089 / 9253089	9150867	86.7							
9153090 / 9253090	9150877	87.7							
9153091 / 9253091	9150887	88.7							
9153092 / 9253092	9150897	89.7							
9153093 / 9253093	9150907	90.7							
9153094 / 9253094	9150917	91.7							
9153095 / 9253095	9150927	92.7							
9153096 / 9253096	9150937	93.7							
9153097 / 9253097	9150947	94.7							
EMX-F-6	9160000	89.7 - 132.9	1.2	EMX-FP-6	9260000	9162082	9163092 / 9263092	9160897	89.7
							9163093 / 9263093	9160907	90.7
							9163094 / 9263094	9160917	91.7
							9163095 / 9263095	9160927	92.7
							9163096 / 9263096	9160937	93.7
							9163097 / 9263097	9160947	94.7
							9163098 / 9263098	9160957	95.7
							9163099 / 9263099	9160967	96.7
							9163100 / 9263100	9160977	97.7
							9163101 / 9263101	9160987	98.7
							9163102 / 9263102	9160997	99.7
							9163103 / 9263103	9161007	100.7
							9163104 / 9263104	9161017	101.7
							9163105 / 9263105	9161027	102.7
							9163106 / 9263106	9161037	103.7
						9163107 / 9263107	9161047	104.7	
						9163108 / 9263108	9161057	105.7	
						9163109 / 9263109	9161067	106.7	
						9163110 / 9263110	9161077	107.7	
						9163111 / 9263111	9161087	108.7	
						9163112 / 9263112	9161097	109.7	
						9163113 / 9263113	9161107	110.7	
						9163114 / 9263114	9161117	111.7	
						9163115 / 9263115	9161127	112.7	
						9163116 / 9263116	9161137	113.7	
						9163117 / 9263117	9161147	114.7	
						9163118 / 9263118	9161157	115.7	
						9163119 / 9263119	9161167	116.7	
						9163120 / 9263120	9161177	117.7	
						9163121 / 9263121	9161187	118.7	
						9163122 / 9263122	9161197	119.7	
						9163123 / 9263123	9161207	120.7	
						9163124 / 9263124	9161217	121.7	
9163125 / 9263125	9161227	122.7							
9163126 / 9263126	9161237	123.7							
9163127 / 9263127	9161247	124.7							
9163128 / 9263128	9161257	125.7							
9163129 / 9263129	9161267	126.7							
9163130 / 9263130	9161277	127.7							
9163131 / 9263131	9161287	128.7							
9163132 / 9263132	9161297	129.7							
9163133 / 9263133	9161307	130.7							
9163134 / 9263134	9161317	131.7							

* Id. No. XXXXXX-v = Clamping sleeve vulcanized.

EMX-C

Segment sleeve mandrel
Power operated

Segment sleeve mandrel $\varnothing 25 - 121 \text{ mm}$

- Size 1 - 5
- Large expansibility



Application/customer benefits

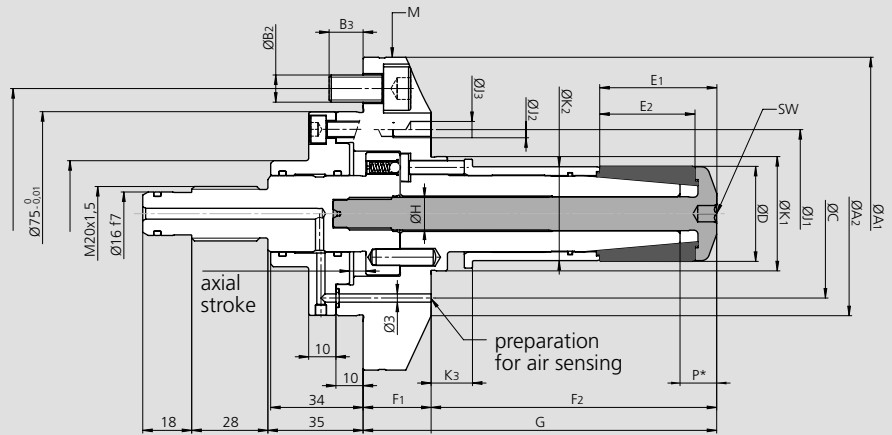
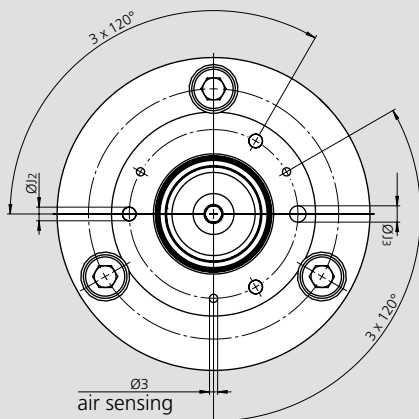
- Ideal for volume production and hard turning / grinding with wear resistant, case hardened and vulcanised clamping sleeves
- Highest accuracy and high torque transmission by means of fixed mandrel body
- Axial pull down by the axial clamping movement of the clamping sleeve = best face run out
- Clamping sleeve quick change for short setup times
- Preparation for air sensing

Technical details

- Large expansibility 1 - 1.2 mm depending on the size (-0.3 » +0.7 / -0.3 » +0.9 from nom. \varnothing)
- Case hardened and vulcanized segment sleeves
- Power operated / manual lubrication
- Rigid design with flange mounting

Standard equipment

Base mandrel with mounting bolts
Clamping screw



Subject to technical changes.
For more detailed information please ask our customer service.

SMW-AUTOBLOK Type	EMX-C-1	EMX-C-2	EMX-C-3	EMX-C-4	EMX-C-5
Id. No.	9410000	9420000	9430000	9440000	9450000
A1	115	115	115	135	165
A2	75	75	115	135	165
B1	92	92	92	112	140
B2	3 x M10	3 x M10	3 x M10	3 x M10	3 x M12
B3	12.5	12.5	15.6	15.6	16
C	3 x 120° $\varnothing 3$	62	62	75	95
D	Clamping range	25 - 37	35 - 53	49 - 70	66 - 95
E1		37	43	55	64
E2	Clamping length	30	35	45	50
F1		25	25	25	32
F2		94	105	131.5	150.7
G		119	130	156.5	175.7
H		M8 x 1	M12 x 1.5	M14 x 1.5	M16 x 1.5
J1		62	62	100	115
J2	3 x 120°	M6	M6	M6	M8
J3	H7	6	6	6	8
K1	f8	35	42	54	73
K2	f8	24.5	34.5	48.5	64.5
K3		16.2	15.2	16.5	17
M transport	3 x 120°	-	-	-	M8
P**		12.5	13.5	15.5	19.5
WS (hex)	WS5	WS6	WS10	WS12	WS14

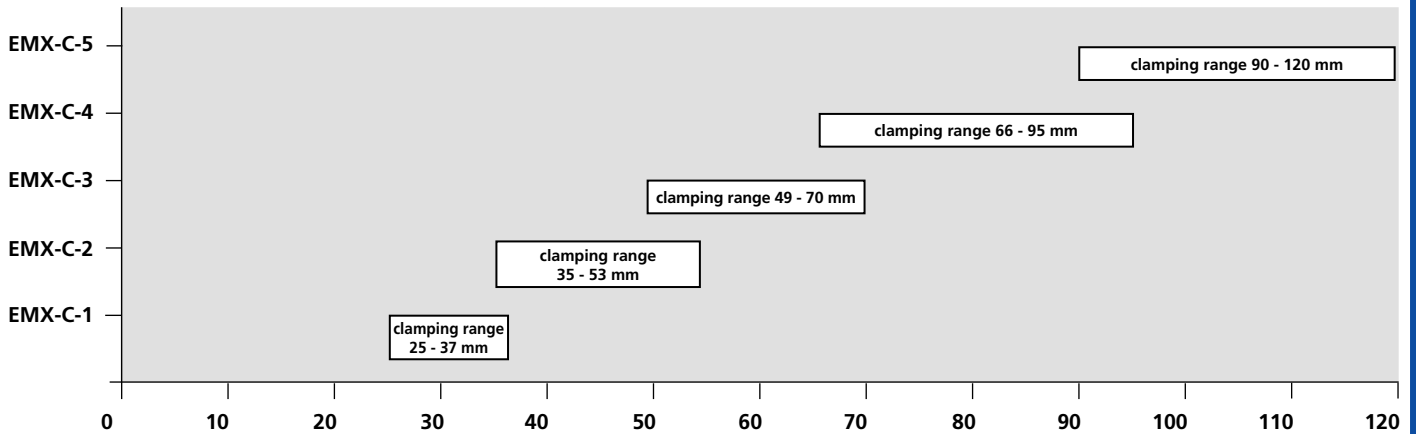
Technical data

SMW-AUTOBLOK Type	EMX-C-1	EMX-C-2	EMX-C-3	EMX-C-4	EMX-C-5
Id. No.	9410000	9420000	9430000	9440000	9450000
Axial stroke	6.0	6.0	6.0	6.0	6.0
Expansibility in dia.	1.0	1.0	1.2	1.2	1.2
Max. actuating force in kN	8	12	15	25	30
Max. transmittable torque in Nm	36	74	120	281	467
Weight in kg	2.9	3.2	4.3	6.6	13.3
Rec. clamping cylinders	SIN-S 70	SIN-S 85	SIN-S 85	SIN-S 100	SIN-S 125

All measurements in unclamped position = Right end position.

** Clamping on area P only is not allowed.

Overview clamping ranges



Clamping sleeves

EMX-C-1*

Ø	25	26	27	28	29	30	31	32	33	34	35	36	37
Id. No.	9410250	9410260	9410270	9410280	9410290	9410300	9410310	9410320	9410330	9410340	9410350	9410360	9410370

EMX-C-2*

Ø	35	36	37	38	39	40	41	42	43	44	45	46	47
Id. No.	9420350	9420360	9420370	9420380	9420390	9420400	9420410	9420420	9420430	9420440	9420450	9420460	9420470
Ø	48	49	50	51	52	53							
Id. No.	9420480	9420490	9420500	9420510	9420520	9420530							

EMX-C-3*

Ø	49	50	51	52	53	54	55	56	57	58	59	60	61
Id. No.	9430490	9430500	9430510	9430520	9430530	9430540	9430550	9430560	9430570	9430580	9430590	9430600	9430610
Ø	62	63	64	65	66	67	68	69	70				
Id. No.	9430620	9430630	9430640	9430650	9430660	9430670	9430680	9430690	9430700				

EMX-C-4*

Ø	66	67	68	69	70	71	72	73	74	75	76	77	78
Id. No.	9440660	9440670	9440680	9440690	9440700	9440710	9440720	9440730	9440740	9440750	9440760	9440770	9440780
Ø	79	80	81	82	83	84	85	86	87	88	89	90	91
Id. No.	9440790	9440800	9440810	9440820	9440830	9440840	9440850	9440860	9440870	9440880	9440890	9440900	9440910
Ø	92	93	94	95									
Id. No.	9440920	9440930	9440940	9440950									

EMX-C-5*

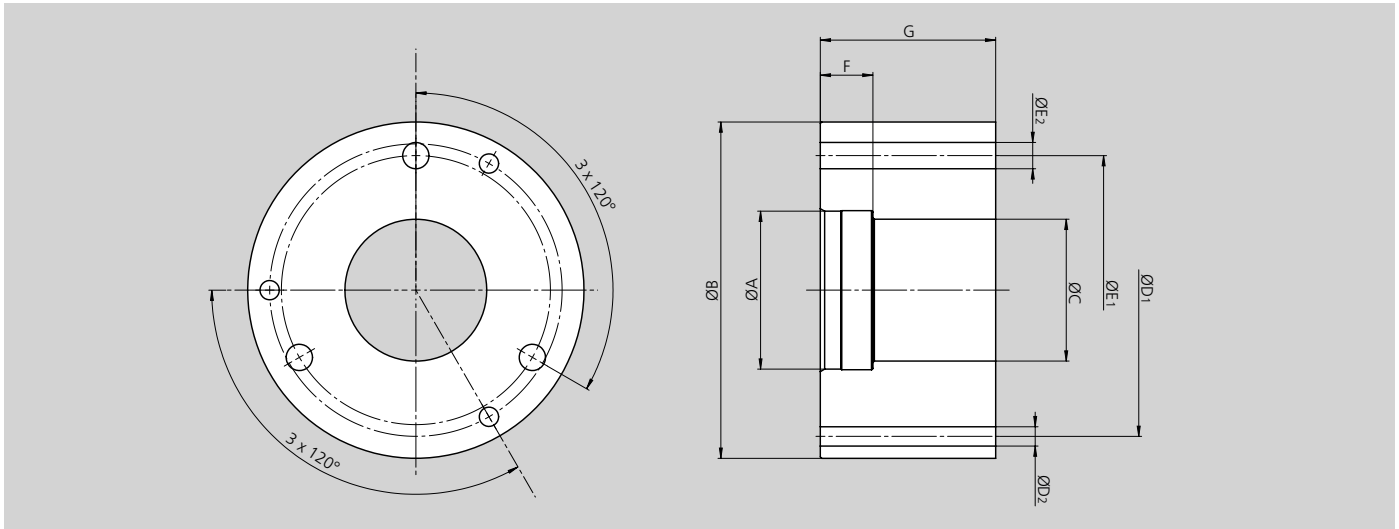
Ø	90	91	92	93	94	95	96	97	98	99	100	101	102
Id. No.	9450900	9450910	9450920	9450930	9450940	9450950	9450960	9450970	9450980	9450990	9451000	9451010	9451020
Ø	103	104	105	106	107	108	109	110	111	112	113	114	115
Id. No.	9451030	9451040	9451050	9451060	9451070	9451080	9451090	9451100	9451110	9451120	9451130	9451140	9451150
Ø	116	117	118	119	120								
Id. No.	9451160	9451170	9451180	9451190	9451200								

* The expanding sleeves have a loading clearance of 0.3 mm in dia.

Clamping screws

Type	Id. No.
EMX-C-1	9412000
EMX-C-2	9422000
EMX-C-3	9432000
EMX-C-4	9442000
EMX-C-5	9452000

Workstop blanks soft for EMX-C

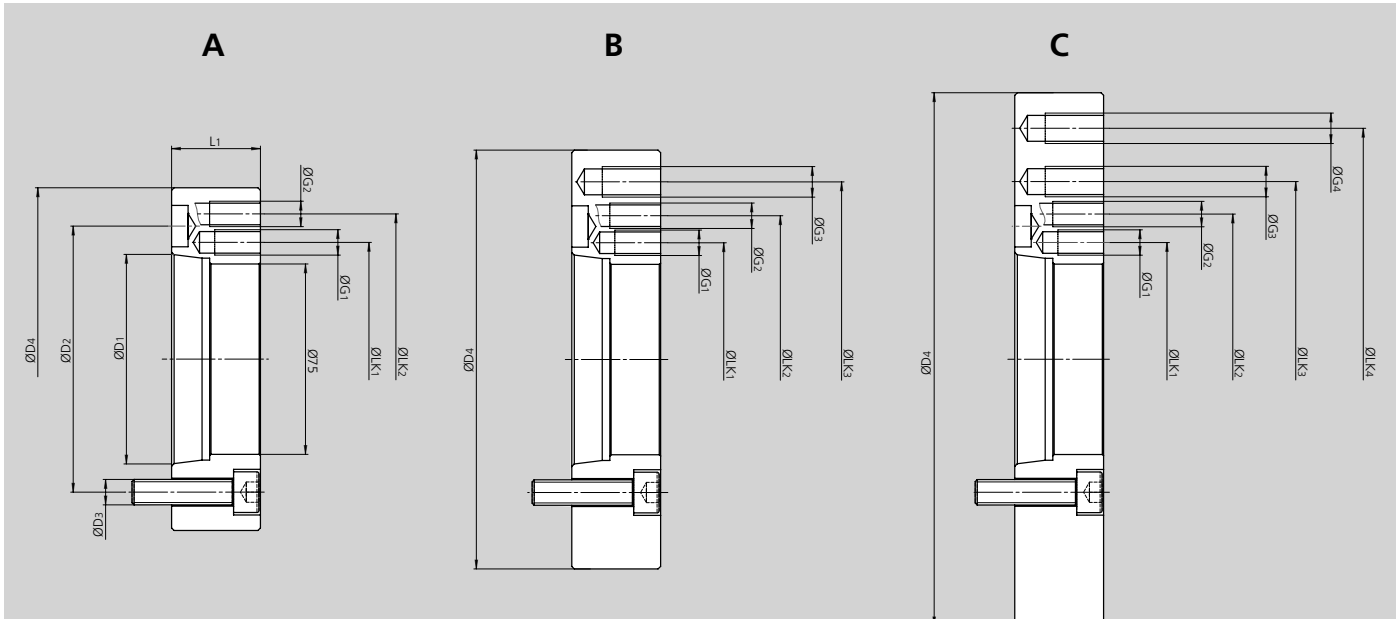


Mandrel size	EMX-C-1		EMX-C-2		EMX-C-3		EMX-C-4		EMX-C-5	
	short	long	short	long	short	long	short	long	short	long
Id. No.	9413000	9413001	9423000	9423001	9433000	9433001	9443000	9443001	9453000	9453001
ØA	35	35	42	42	54	54	73	73	96	96
ØB	75	75	75	75	115	115	135	135	165	165
ØC	24.5	24.5	34.5	34.5	48.5	48.5	64.5	64.5	89.5	89.5
ØD1	62	62	62	62	100	100	115	115	140	140
ØD2	6.6	6.6	6.6	6.6	6.6	6.6	9	9	9	9
ØE1	-	-	-	-	92	92	112	112	140	140
ØE2	-	-	-	-	9	9	9	9	12	12
F	17.2	17.2	16.2	16.2	17.5	17.5	18	18	23	23
G	40	75	45	85	60	110	70	125	85	160

Adapters

- EMX-P, EMX-F/FP, EMX-C have cylindrical mounting
- Adapters for DIN 55026 / ISO-A 702-1 spindle noses

ISO-A for sleeve expanding mandrels



Subject to technical changes.
For more detailed information please ask our customer service.

Technical data

Adapter flange Id. No.	mm	Spindle nose ISO	D1	D2	D3	D4	L1	LK1	G1	LK2	G2	LK3	G3	LK4	G4
9000051	mm	A5	82.563	104.8	3 x M10	135	35	92	3 x M10	112	3 x M10	-	-	-	-
9000052	mm	A5	82.563	104.8	3 x M10	165	35	92	3 x M10	112	3 x M10	140	3 x M12	-	-
9000053	mm	A5	82.563	104.8	3 x M10	210	35	92	3 x M10	112	3 x M10	140	3 x M12	182	3 x M12
9000061	mm	A6	106.375	133.4	3 x M12	165	36	92	3 x M10	112	3 x M10	140	3 x M12	-	-
9000062	mm	A6	106.375	133.4	3 x M12	210	36	92	3 x M10	112	3 x M10	140	3 x M12	182	3 x M12
9000081	mm	A8	139.719	171.4	3 x M16	210	45	92	3 x M10	112	3 x M10	140	3 x M12	182	3 x M12

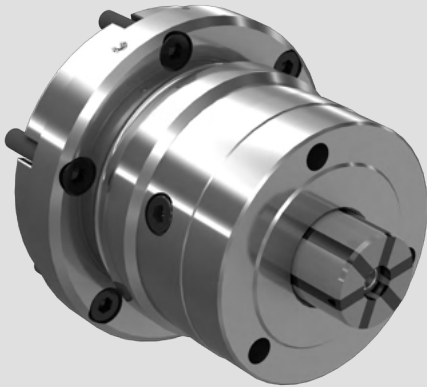
Appropriate adapter flanges	Spindle nose ISO	EMX-P	EMX-F/FP	EMX-C	Type
9000051	A5	0-1-2-3-4-5-6-7-8-9-10-11	1-2-3-4	1-2-3-4	A
9000052	A5	0-1-2-3-4-5-6-7-8-9-10-11	1-2-3-4-5	1-2-3-4-5	B
9000053	A5	0-1-2-3-4-5-6-7-8-9-10-11	1-2-3-4-5-6	1-2-3-4-5	C
9000061	A6	0-1-2-3-4-5-6-7-8-9-10-11	1-2-3-4-5	1-2-3-4-5	B
9000062	A6	0-1-2-3-4-5-6-7-8-9-10-11	1-2-3-4-5-6	1-2-3-4-5	C
9000081	A8	0-1-2-3-4-5-6-7-8-9-10-11	1-2-3-4-5-6	1-2-3-4-5	C

EMX-S

Segment sleeve mandrel
Power operated

Segment sleeve mandrel \varnothing 18 - 105 mm

- Size 1 - 4
- Large expansibility



Application/customer benefits

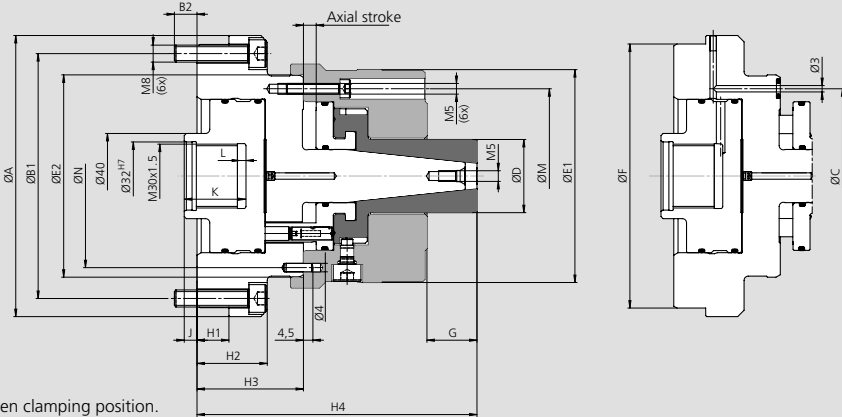
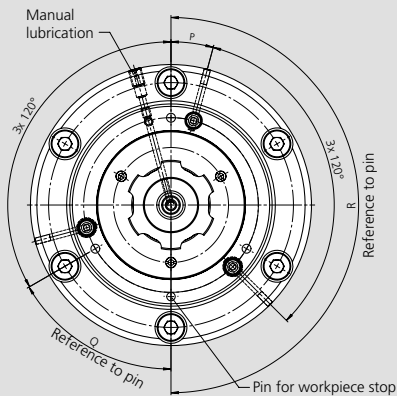
- Ideal for volume production and hard turning / grinding with wear resistant, case hardened and vulcanised clamping sleeves
- Highest accuracy and high torque transmission by means of fixed mandrel body
- Axial pull down by the axial clamping movement of the clamping sleeve = best face run out
- Clamping sleeve quick change for short setup times
- Preparation for air sensing
- With integrated manual lubrication for consistent high clamping forces and low wear

Technical details

- Large expansibility 0.8 - 1.2 mm depending on the size (The clamping sleeves have a max. radial expansibility in diameter of ± 0.4 mm or ± 0.6 mm from the nominal diameter.)
- Power operated
- Rigid design with flange mounting
- Tapped holes in the face for axial stops

Standard equipment

Base mandrel with mounting bolts



Illustrations show mandrel variant with 1-circuit air sensing in open clamping position. Information on the variant with 2-circuit air sensing on request.

SMW-Autoblok Type		EMX-S-1			EMX-S-2		EMX-S-3		EMX-S-4		
Id. No.	EMX-S (1-circuit-AS)	9601100000			9602100000		9603100000		9604100000		
	EMX-S (2-circuit-AS)	9621100000			9622100000		9623100000		9624100000		
3x120° \varnothing 3,0	A	mm	132			132		132		157	
	B1	mm	115			115		115		137	
	B2	mm	13.6			10.6		12.5		12.5	
	C	mm	66			82		100		128	
f8	E1	mm	82			100		114		143	
	E2	mm	80			95		88		115	
F	mm	124 - 0.01			124 - 0.01		124 - 0.01		147 - 0.01		
Clamping range	D	mm	18	>18 - 23	>23 - 35	30 - 55		48 - 80		70 - 105	
Clamping length max.	G _{max}	mm	10.5	17.5	23	41.5		51.5		57.5	
Clamping length min.	G _{min}	mm	7			8		8		8	
Ring gap	H1	mm	15			15		15		14.3	
	H2	mm	30			33		44		49	
	H3	mm	48			50		44		49	
	H4	mm	107.5			131.5		146.5		162	
	J	mm	8			6		6		6	
	K	mm	30			29		25		29	
	L	mm	4			4		4		5	
	M	mm	66			82		100		128	
Ring gap	N	mm	70			86		104		128	
	P	deg.	15			15		90		15	
	Q	deg.	30			30		15		60	
	R	deg.	180			180		30		30	

SMW-Autoblok Type		EMX-S-1			EMX-S-2		EMX-S-3		EMX-S-4	
Axial stroke	mm	4			6		6		6	
Expansion in dia.	mm	0.8			1.2		1.2		1.2	
Max. actuating force	kN	15			20		25		35	
Max. torque	Nm	50			90		160		410	
Weight	kg	3.9			4.4		5.3		9.4	
Recommended clamping cylinders		SIN-S-70			SINS-S-85		SINS-S-85		SINS-S-85	

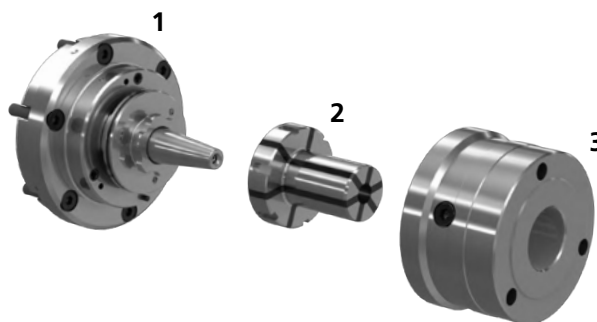
All measurements in unclamped position = Right end position.

- Size 1 - 4
- Large expansibility

Segment sleeve mandrel
Power operated

Technical design

1. Basic body EM-S with spindle adapter
2. Segment sleeve mandrel (case hardened + vulcanized) with bayonet quick change.
Clamping sleeves size EM-S-1 with three segments, clamping sleeves from size EM-S-2 on with six segments for better gripping force distribution
3. Workstop



Clamping sleeves

EMX-S-1*

Ø	18	19	20	21	22	23	24	25	26	27	28	29	30
Id. No.	9601301800	9601301900	9601302000	9601302100	9601302200	9601302300	9601302400	9601302500	9601302600	9601302700	9601302800	9601302900	9601303000
Ø	31	32	33	34	35								
Id. No.	9601303100	9601303200	9601303300	9601303400	9601303500								

EMX-S-2**

Ø	30	31	32	33	34	35	36	37	38	39	40	41	42
Id. No.	9602303000	9602303100	9602303200	9602303300	9602303400	9602303500	9602303600	9602303700	9602303800	9602303900	9602304000	9602304100	9602304200
Ø	43	44	45	46	47	48	49	50	51	52	53	54	55
Id. No.	9602304300	9602304400	9602304500	9602304600	9602304700	9602304800	9602304900	9602305000	9602305100	9602305200	9602305300	9602305400	9602305500

EMX-S-3**

Ø	45	46	47	48	49	50	51	52	53	54	55	56	57
Id. No.	9603304500	9603304600	9603304700	9603304800	9603304900	9603305000	9603305100	9603305200	9603305300	9603305400	9603305500	9603305600	9603305700
Ø	58	59	60	61	62	63	64	65	66	67	68	69	70
Id. No.	9603305800	9603305900	9603306000	9603306100	9603306200	9603306300	9603306400	9603306500	9603306600	9603306700	9603306800	9603306900	9603307000
Ø	71	72	73	74	75	76	77	78	79	80			
Id. No.	9603307100	9603307200	9603307300	9603307400	9603307500	9603307600	9603307700	9603307800	9603307900	9603308000			

EMX-S-4**

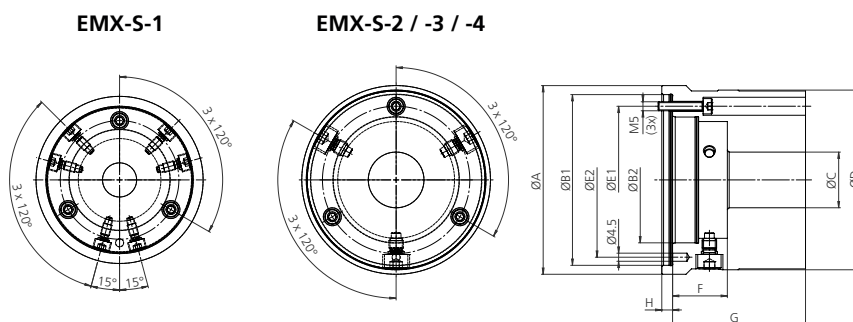
Ø	70	71	72	73	74	75	76	77	78	79	80	81	82
Id. No.	9604307000	9604307100	9604307200	9604307300	9604307400	9604307500	9604307600	9604307700	9604307800	9604307900	9604308000	9604308100	9604308200
Ø	83	84	85	86	87	88	89	90	91	92	93	94	95
Id. No.	9604308300	9604308400	9604308500	9604308600	9604308700	9604308800	9604308900	9604309000	9604309100	9604309200	9604309300	9604309400	9604309500
Ø	96	97	98	99	100	101	102	103	104	105			
Id. No.	9604309600	9604309700	9604309800	9604309900	9604310000	9604310100	9604310200	9604310300	9604310400	9604310500			

* The clamping sleeves have a max. radial expansibility in diameter of ± 0.4 mm from the nominal diameter.

** The clamping sleeves have a max. radial expansibility in diameter of ± 0.6 mm from the nominal diameter.

Soft work stop blanks

Type	EMX-S-1	EMX-S-2	EMX-S-3	EMX-S-4
Id. No.*	9100321	9100322	9100323	9100324
Id. No.**	5301416	5301417	5301418	5301419
A	93	105	113	142
B1	80	95	-	-
B2	-	-	88	115
C	19	31	46	71
D	82	100	114	143
E1	66	82	100	128
E2	70	86	104	128
F	27.5	30.5	41	45
G	53	74	95	105
H	6	6	-	-



* Soft, finish machined on mandrel side, pre machined on workpiece side.

** Soft, with stock material (0.3 mm) for case hardening and grinding

Ordering review set articles

Type	EMX-S-1	EMX-S-2	EMX-S-3	EMX-S-4
A05	9601000005	9602000005	9603000005	9604000005
A06	9601000006	9602000006	9603000006	9604000006
A08	9601000008	9602000008	9603000008	9604000008
Z140	9601000140	9602000140	9603000140	9604000140
Z170	9601000170	9602000170	9603000170	9604000170

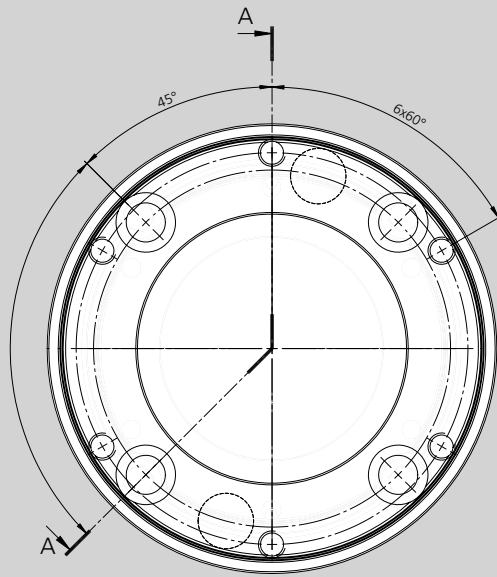
Parts included: Basic mandrel + standard flange + mounting bolts

Adapters

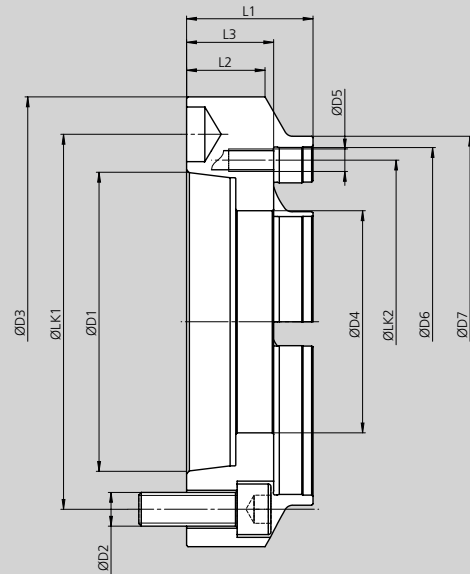
ISO-A for expanding mandrels

- Mandrels EMX-S have cylindrical mounting
- Adapters for DIN 55026 / ISO-A 702-1 / ISO-A 702-1 spindle noses

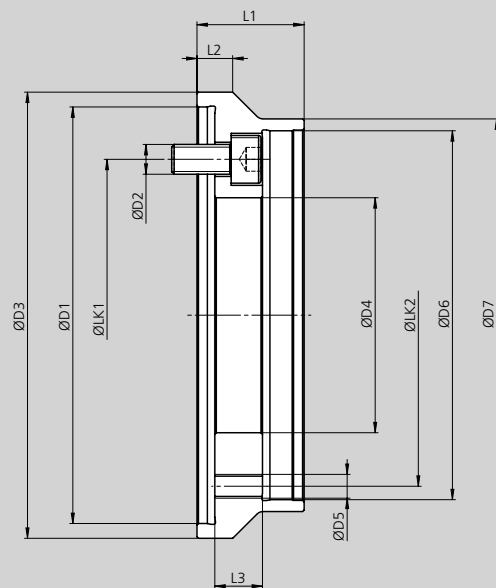
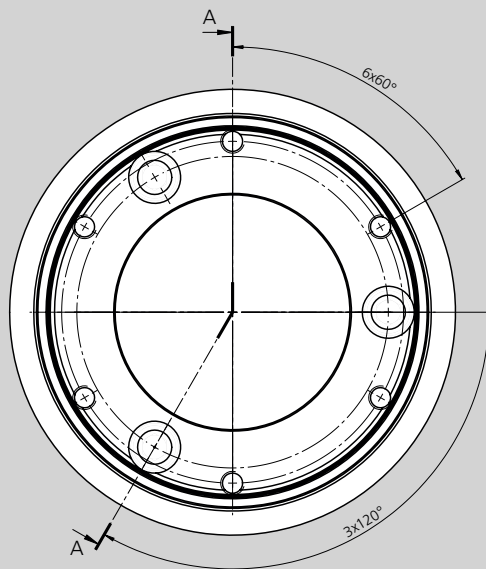
A



SCHNITT / SECTION A-A



ZA

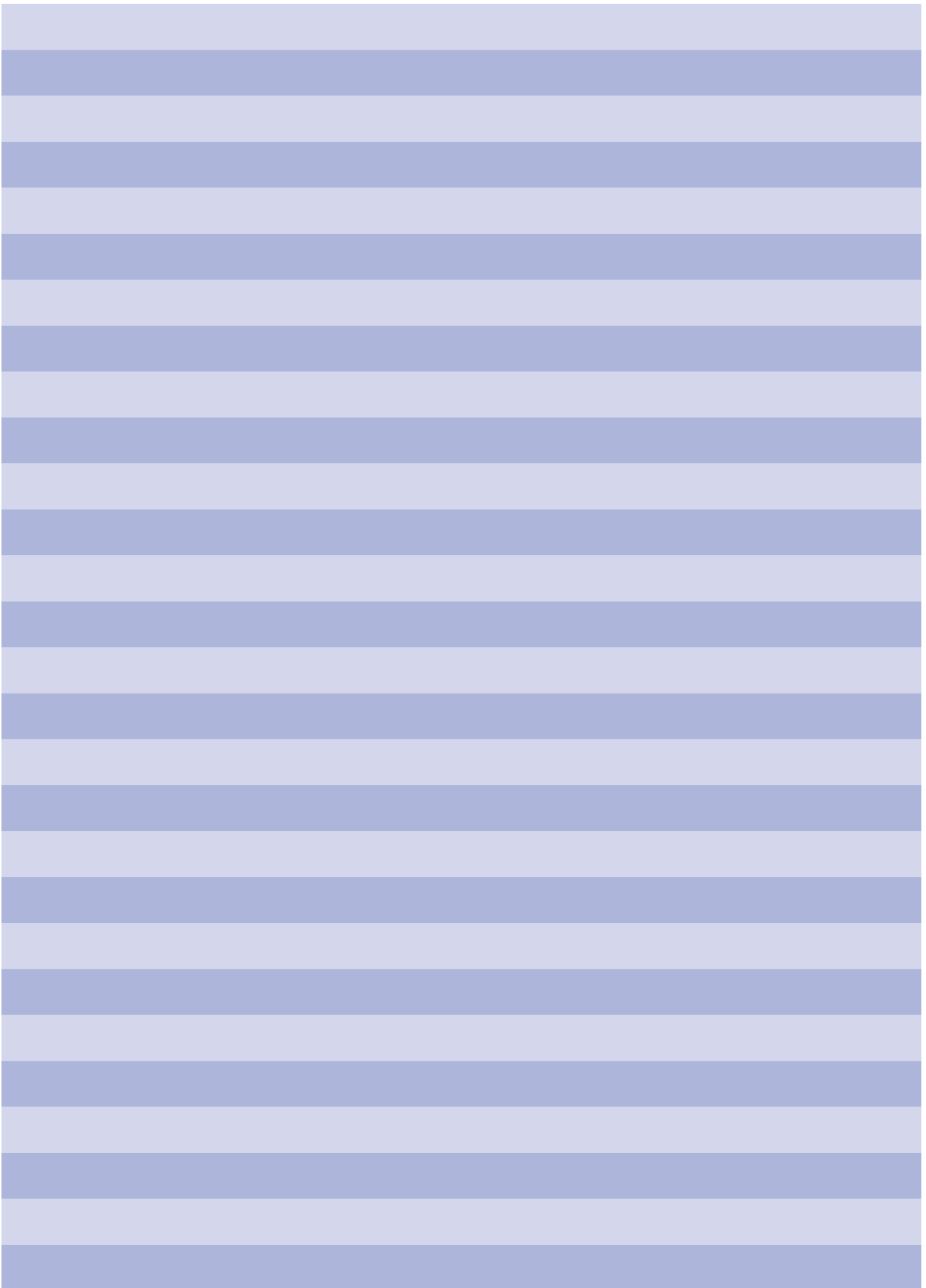


Subject to technical changes.
For more detailed information please ask our customer service.

Technical data

Flange Id. No.	Mandrel size		Spindle nose ISO 702-1 (A)	Spindle nose ISO 702-4 (ZA)	D1	LK1	D2	D3	D4	LK2	D5	D6	D7	L1	L2	L3
9600200005	EMX-S-1 / 2 / 3	mm	A5	-	82.563	104.8	4 x M10	132	79	115	6 x M8	124	D3	45	-	31
9600200006		mm	A6	-	106.375	133.4	4 x M12	160	79	115	6 x M8	124	132	45	28	31
9600200008		mm	A8	-	139.719	171.4	4 x M16	202	79	115	6 x M8	124	140	47	29	33
9600200140		mm	-	140	140	104.8	3 x M10	150	79	115	6 x M8	124	132	36	12	16
9600200170		mm	-	170	170	133.4	6 x M12	180	79	115	6 x M8	124	157	36	24.5	16
9604200005	EMX-S-4	mm	A5	-	82.563	104.8	4 x M10	157	79	137	6 x M8	147	D3	45	-	31
9604200006		mm	A6	-	106.375	133.4	4 x M12	157	102.5	137	6 x M8	147	D3	43	-	29
9604200008		mm	A8	-	139.719	171.4	4 x M16	202	103	137	6 x M8	147	157	47	17	33
9604200140		mm	-	140	140	104.8	3 x M10	157	80	137	6 x M8	147	D3	50	-	31
9604200170		mm	-	170	170	133.4	6 x M12	180	103	137	6 x M8	147	157	48	11.5	29

Notes



EM-A / EM-AL

Expanding mandrel
Manual or power operated

Expanding mandrel Ø 14.7 - 129.7 mm

- Size 1 - 11
- Large expansibility
- EM-AL: Body lengthened



Application/customer benefits

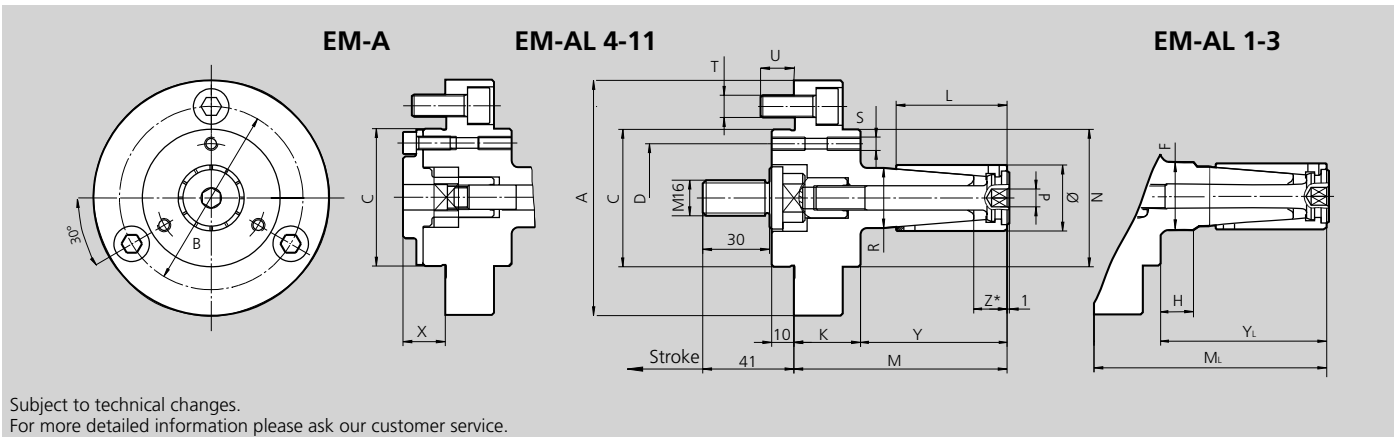
- For turning, milling, grinding and gear cutting operations
- High accuracy and torque transmission because of fixed arbor
- Axial pull down by axial movement of the clamping sleeve during actuation
- Quick set-up

Technical features

- Large expansibility 1 - 2 mm depending on size
- Hand or power operated
- Flange mounting
- Very rigid design
- Tapped holes at the front face to mount axial stops
- Clamping sleeves are also available in siliconized version
- EM-AL: Clamping mandrel with extra long body

Standard equipment

Basic mandrel with draw bolt for power operation
Mounting bolts



Subject to technical changes.
For more detailed information please ask our customer service.

SMW-AUTOBLOK Type	EM-A-1 EM-AL-1	EM-A-2 EM-AL-2	EM-A-3 EM-AL-3	EM-A-4 EM-AL-4	EM-A-5 EM-AL-5	EM-A-6 EM-AL-6	EM-A-7 EM-AL-7	EM-A-8 EM-AL-8	EM-A-9 EM-AL-9	EM-A-10 EM-AL-10	EM-A-11 EM-AL-11
EM-A Id. No. (power operated)	68100110	68100210	68100310	68100410	68100510	68100610	68100710	68100810	68100910	68101010	68101110
EM-AL Id. No. (power operated)	68100111	68100211	68100311	68100411	68100511	68100611	68100711	68100811	68100911	68101011	68101111
A	106	106	106	106	106	106	130	130	130	130	130
B	82.6	82.6	82.6	82.6	82.6	82.6	104.8	104.8	104.8	104.8	104.8
C	g5 62	62	62	62	62	62	86	86	86	86	86
D	49	49	49	49	49	49	73	73	73	100	100
F	22	23	26	-	-	-	-	-	-	-	-
H	25	30	35	-	-	-	-	-	-	-	-
K	30	30	30	30	30	30	30	30	30	30	30
L	35	40	46	50	60	60	80	90	100	122	140
M	81	86	92	96	106	106	132	142	152	174	195
M _L	106	116	127	136	146	146	182	188	222	248	275
N	62	62	62	62	62	62	86	86	86	-	-
Ø	mm 14.7-19.7	19.7-24.7	24.7-29.7	29.7-34.7	34.7-39.7	39.7-44.7	44.7-54.7	54.7-64.7	64.7-81.7	81.7-101.7	101.7-131.7
P	SW 4	4	6	8	8	8	8	10	10	10	10
R	h6 14	19	23	27	31.5	36	42	50	60	73	86
S	(3 x 120°) M6	M6	M6	M6	M6	M6	M6	M6	M6	M6	M6
T	(3 x 120°) M10	M10	M10	M10	M10	M10	M10	M10	M10	M10	M10
U	15	15	15	15	15	15	15	15	15	17	17
X	19	19	19	19	19	19	13	13	13	21	21
Y	51	56	62	66	76	76	102	112	122	144	165
Y _L	76	86	97	106	116	116	152	158	192	218	245
Z*	12.5	14.5	14.5	15	15.5	16	24	26	26.5	27.5	32
Manual kit EM-A	68110110	68110210	68110310	68110410	68110510	68110610	68110710	68110810	68110810	68111010	68111110
Manual kit EM-AL	68110111	68110211	68110311	68110411	68110511	68110611	68110711	68110811	68110811	68111011	68111111
Draw bolt power op. EM-A	68050110	68050210	68050310	68050410	68050510	68050610	68050710	68050710	68050710	68051010	68051110
Draw bolt power op. EM-AL	68050111	68050211	68050311	68050411	68050511	68050611	68050711	68050811	68050911	68051011	68051111

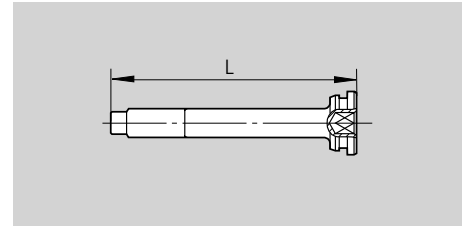
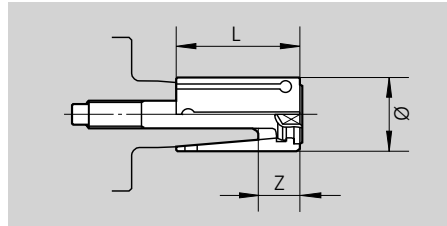
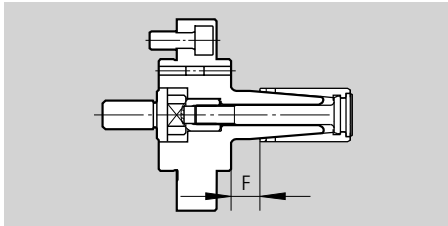
* Clamping on area Z only is not allowed.

Technical data

SMW-AUTOBLOK Type	EM-A-1 EM-AL-1	EM-A-2 EM-AL-2	EM-A-3 EM-AL-3	EM-A-4 EM-AL-4	EM-A-5 EM-AL-5	EM-A-6 EM-AL-6	EM-A-7 EM-AL-7	EM-A-8 EM-AL-8	EM-A-9 EM-AL-9	EM-A-10 EM-AL-10	EM-A-11 EM-AL-11
Stroke	mm 6	6	6	6	6	6	12	12	12	12	12
Max. actuating force	kN 7	7	12	12	15	20	20	20	25	25	30
Max. transm. torque	Nm 15	35	75	100	120	150	200	250	275	320	500
Actuating cylinder (rec.)	SIN-S 70	SIN-S 70	SIN-S 85	SIN-S 85	SIN-S 85	SIN-S 100	SIN-S 100	SIN-S100	SIN-S-100	SIN-S-100	SIN-S 125

All dimensions in unclamped position = Right end position.

Ordering review



Basic mandrel		
Type	Id. No.	F
EM-A-1	68100110	16
EM-AL-1	68100111	41
EM-A-2	68100210	16
EM-AL-2	68100211	46
EM-A-3	68100310	16
EM-AL-3	68100311	51
EM-A-4	68100410	16
EM-AL-4	68100411	56
EM-A-5	68100510	16
EM-AL-5	68100511	56
EM-A-6	68100610	16
EM-AL-6	68100611	56
EM-A-7	68100710	22
EM-AL-7	68100711	72
EM-A-8	68100810	22
EM-AL-8	68100811	68
EM-A-9	68100910	22
EM-AL-9	68100911	92
EM-A-10	68101010	22
EM-AL-10	68101011	96
EM-A-11	68101110	25
EM-AL-11	68101111	105

Clamping sleeve cpl. with actuating screw					
Id. No.	Ø	L	Expansibility	Z	
68300147	14.7	35	1	12.5	
68300157	15.7	35	1	12.5	
68300167	16.7	35	1	12.5	
68300177	17.7	35	1	12.5	
68300187	18.7	35	1	12.5	
68300197	19.7	40	1	14.5	
68300207	20.7	40	1	14.5	
68300217	21.7	40	1	14.5	
68300227	22.7	40	1	14.5	
68300237	23.7	40	1	14.5	
68300247	24.7	46	1	14.5	
68300257	25.7	46	1	14.5	
68300267	26.7	46	1	14.5	
68300277	27.7	46	1	14.5	
68300287	28.7	46	1	14.5	
68300297	29.7	50	1	15	
68300307	30.7	50	1	15	
68300317	31.7	50	1	15	
68300327	32.7	50	1	15	
68300337	33.7	50	1	15	
68300347	34.7	60	1	15.5	
68300357	35.7	60	1	15.5	
68300367	36.7	60	1	15.5	
68300377	37.7	60	1	15.5	
68300387	38.7	60	1	15.5	
68300397	39.7	60	1	16	
68300407	40.7	60	1	16	
68300417	41.7	60	1	16	
68300427	42.7	60	1	16	
68300437	43.7	60	1	16	
68300447	44.7	80	2	24	
68300467	46.7	80	2	24	
68300487	48.7	80	2	24	
68300497	49.7	80	2	24	
68300507	50.7	80	2	24	
68300527	52.7	80	2	24	
68300547	54.7	90	2	26	
68300567	56.7	90	2	26	
68300587	58.7	90	2	26	
68300597	59.7	90	2	26	
68300607	60.7	90	2	26	
68300627	62.7	90	2	26	
68300647	64.7	100	2	26.5	
68300667	66.7	100	2	26.5	
68300687	68.7	100	2	26.5	
68300697	69.7	100	2	26.5	
68300707	70.7	100	2	26.5	
68300727	72.7	100	2	26.5	
68300747	74.7	100	2	26.5	
68300767	76.7	100	2	26.5	
68300787	78.7	100	2	26.5	
68300807	80.7	100	2	26.5	
68300817	81.7	122	2	27.5	
68300837	83.7	122	2	27.5	
68300857	85.7	122	2	27.5	
68300877	87.7	122	2	27.5	
68300897	89.7	122	2	27.5	
68300917	91.7	122	2	27.5	
68300937	93.7	122	2	27.5	
68300957	95.7	122	2	27.5	
68300977	97.7	122	2	27.5	
68300997	99.7	122	2	27.5	
68301017	101.7	140	2	32	
68301037	103.7	140	2	32	
68301057	105.7	140	2	32	
68301077	107.7	140	2	32	
68301097	109.7	140	2	32	
68301117	111.7	140	2	32	
68301137	113.7	140	2	32	
68301157	115.7	140	2	32	
68301177	117.7	140	2	32	
68301197	119.7	140	2	32	
68301217	121.7	140	2	32	
68301237	123.7	140	2	32	
68301257	125.7	140	2	32	
68301277	127.7	140	2	32	
68301297	129.7	140	2	32	

Actuating screw	
Id. No.	L
68030110	76.5
68030210	81
68030310	87.5
68030410	93
68030510	103
68030610	103
68030710	117
68030810	127
68030910	137
68031010	165
68031110	183

EM-B

Expanding mandrel $\varnothing 16 - 129.5 \text{ mm}$

Expanding mandrel
Manual or power operated

- Size 0 - 4
- Large expansibility



Application/customer benefits

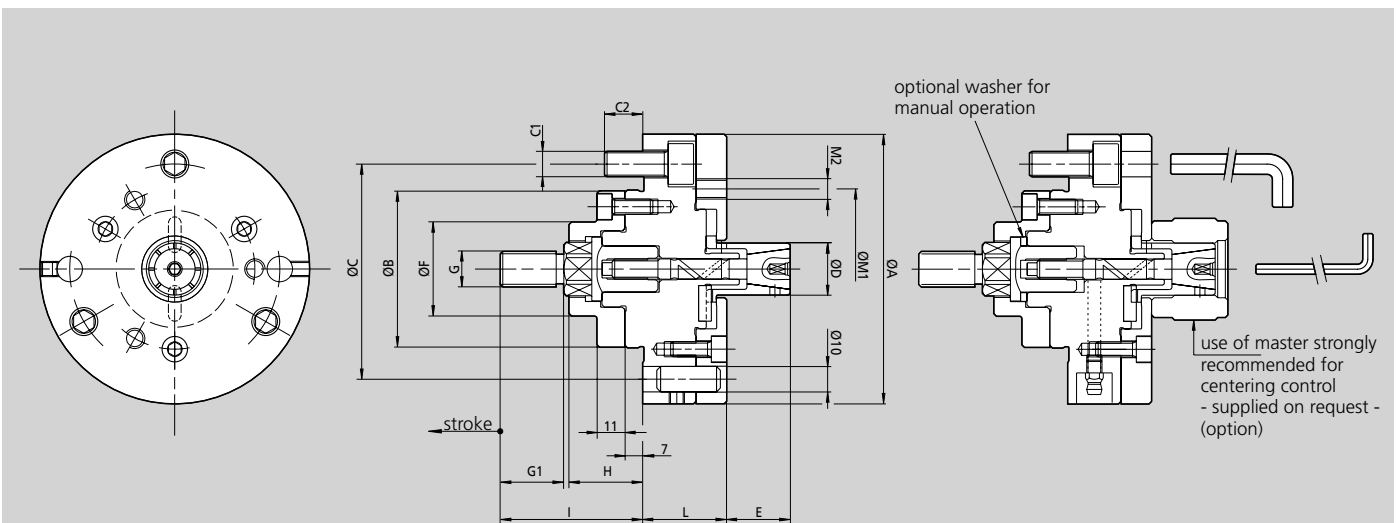
- For turning, milling, grinding and gear cutting operations
- High flexibility by means of modular system
- High torque transmission and concentricity
- No axial movement of clamping sleeve during operation
- Clamping of very short workpieces on the front section of the sleeve possible

Technical features

- Large expansibility up to 1.5 mm in diameter
- Hand or power operated
- Flange mounting
- Very rigid design
- Tapped holes at the front face to mount axial stops
- Clamping sleeves are also available in siliconized version

Standard equipment

Basic mandrel with draw bolt for power operation
Mounting bolts



Subject to technical changes.
For more detailed information please ask our customer service.

SMW-AUTOBLOK Type		EM-B 0	EM-B 1	EM-B 2	EM-B 3	EM-B 4
A	mm	106	106	106	125	180
B g5	mm	62	62	62	62	86
C	mm	82.6	82.6	82.6	82.6	133.4
C1	mm	3 x M10	3 x M10	3 x M10	3 x M10	3 x M12
C2	mm	16	16	16	16	15
D	mm	16 - 25.5	20 - 40.5	35 - 60.5	55 - 81	80 - 131
E	mm	23	28	43	58	85
F	mm	37	37	37	37	55
G	mm	M16	M16	M16	M16	M16
G1	mm	25	25	25	25	25
H	mm	29	29	29	29	36
I	mm	56	56	56	56	62
L	mm	35	37	37	37	50
M1	mm	63	68	85	104	162
M2	mm	3 x M8	3 x M8	3 x M8	6 x M8	6 x M8
N	mm	M8	M10	M14	M14	M18

Technical data

SMW-AUTOBLOK Type		EM-B 0	EM-B 1	EM-B 2	EM-B 3	EM-B 4
Axial stroke	mm	2.5	2.5	2.5	5	6.5
Sleeve expansion on \varnothing	mm	0.5	0.5	0.5	1	1.5
Max. axial force	kN	7	12	20	20	25
Recommended actuating cylinders	CSN	150	200	200	200	250
	SIN-S	70	70	85	85	100

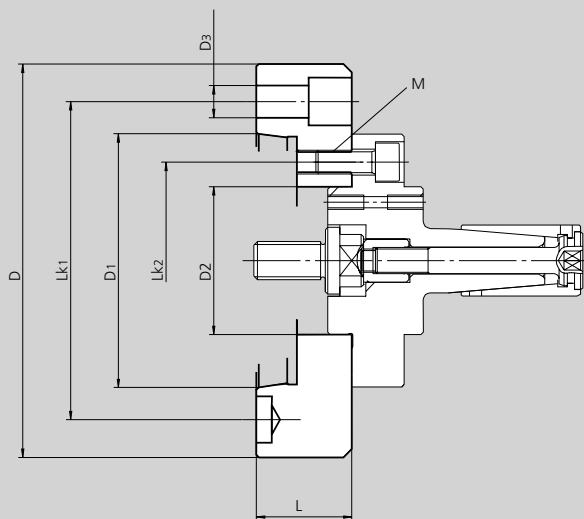
All measurements in unclamped position = Right end position.

Adapters

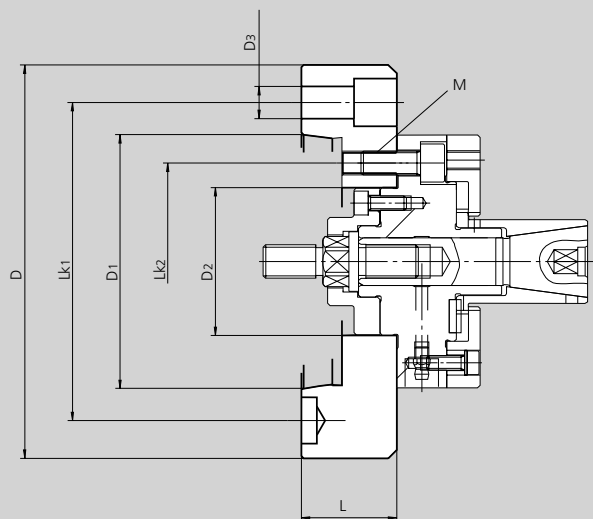
ISO-A for expanding mandrels

- Mandrels EM-A and EM-B have cylindrical mounting
- Adapters for DIN 55026 / ISO-A 702/1 spindle noses

EM-A



EM-B



Subject to technical changes.
For more detailed information please ask our customer service.

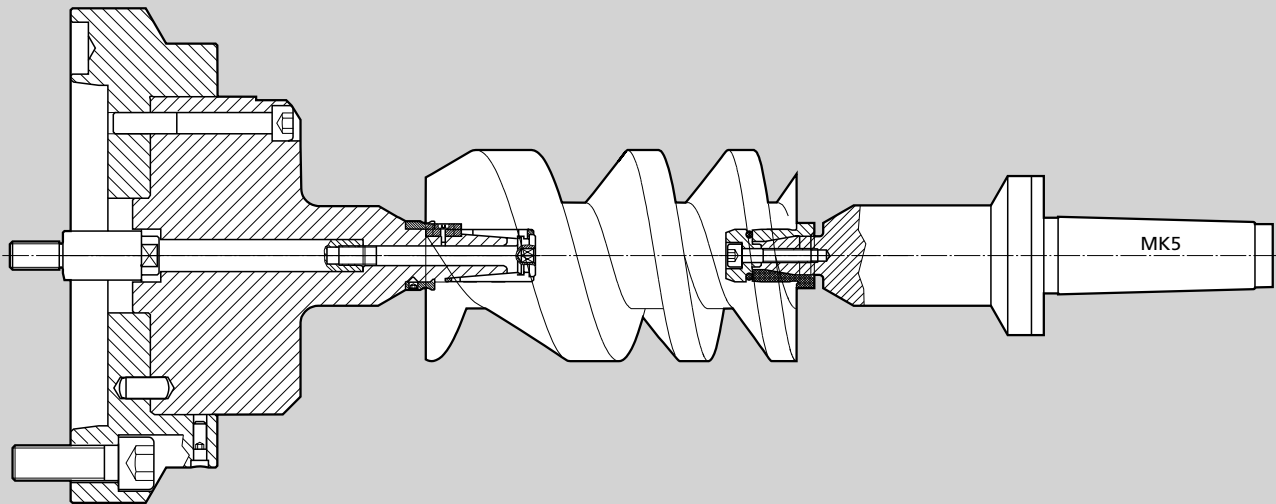
Technical data

Adapter flange Id. No.	mm	Spindle nose ISO	D	D1	D2	D3	LK1	LK2	L	M
24150100	mm	A5	127	82.563	62 ^{H6}	12	104.8	82.6	40	3 x M10
24150400	mm	A5	135	82.563	86 ^{H6}	12	104.8	104.8	40	3 x M10
24160100	mm	A6	165	106.375	62 ^{H6}	13.5	133.4	82.6	40	3 x M10
24160400	mm	A6	165	106.375	86 ^{H6}	13.5	133.4	104.8	40	3 x M10
24180100	mm	A8	210	139.719	62 ^{H6}	17	171.4	82.6	40	3 x M10
24180400	mm	A8	210	139.719	86 ^{H6}	17	171.4	104.8	40	3 x M10

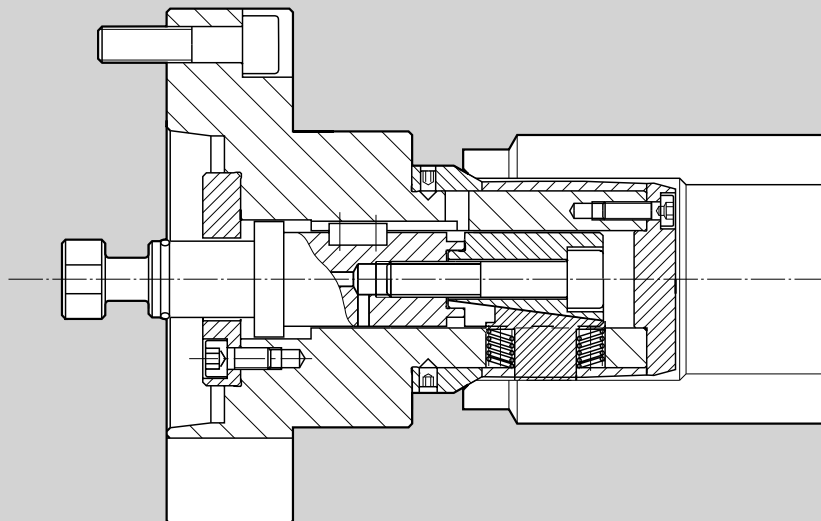
Appropriate adapter flanges	EM-A	EM-B
24150100 ISO-A5		
24160100 ISO-A6	1-2-3-4-5-6	0-1-2-3
24180100 ISO-A8		
24150400 ISO-A5		
24160400 ISO-A6	7-8-9-10-11	4
24180400 ISO-A8		

Besides our standard range, we offer special solutions for your applications

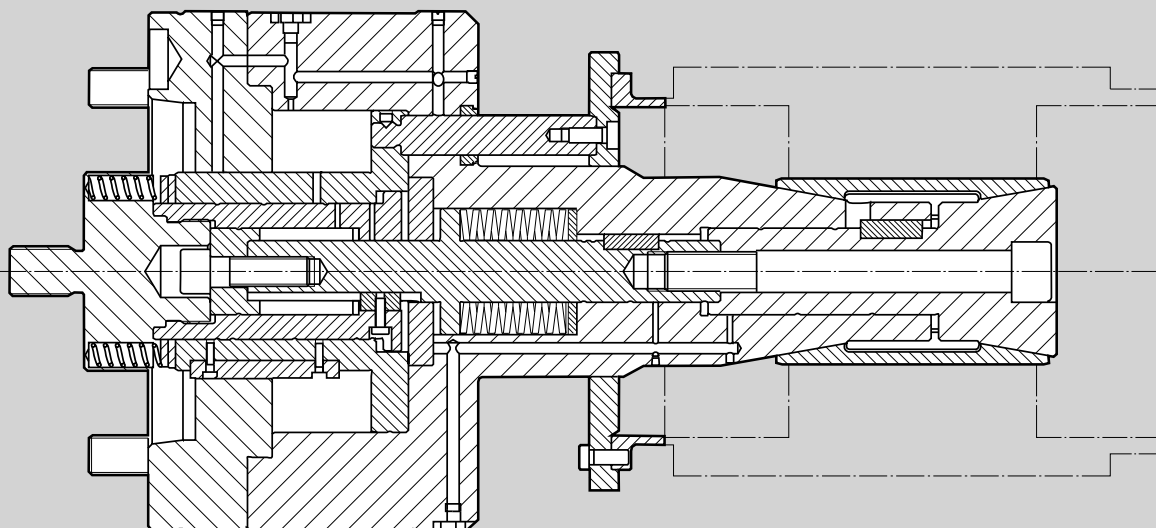
Example: Special expanding mandrel, sleeve design, on spindle and tailstock side for screw rotors



Example: Special mandrel segment design for tubes



Example: Special expanding mandrel, double taper design with retractable stop, for clamping of stators



Special clamping solutions



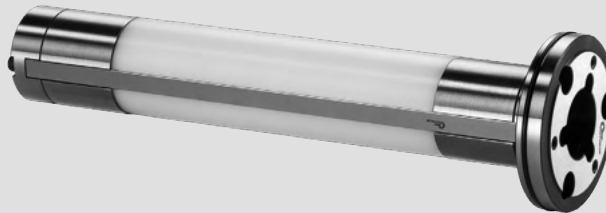
Application/customer benefits

- Power operated sliding jaw collet chuck
- 2 clamping areas
- Spring compensation
- For clamping of shafts on 2 clamping levels
- Preparation for air sensing
- Exchangeable cartridge with adapter sleeve

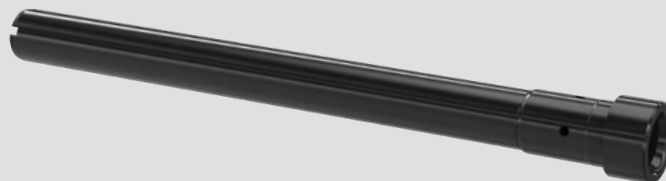
Sliding jaw collet chuck

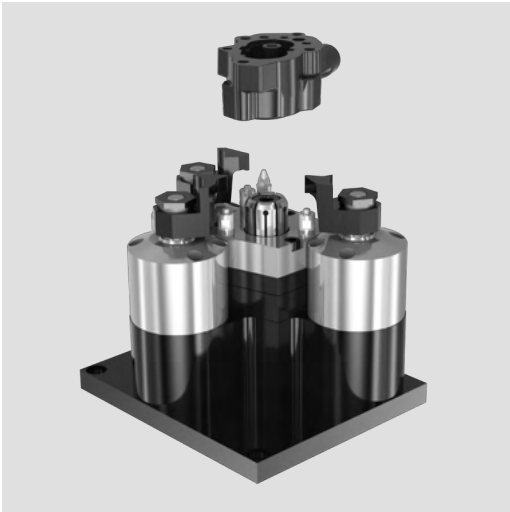


Exchangeable cartridge with adapter sleeve



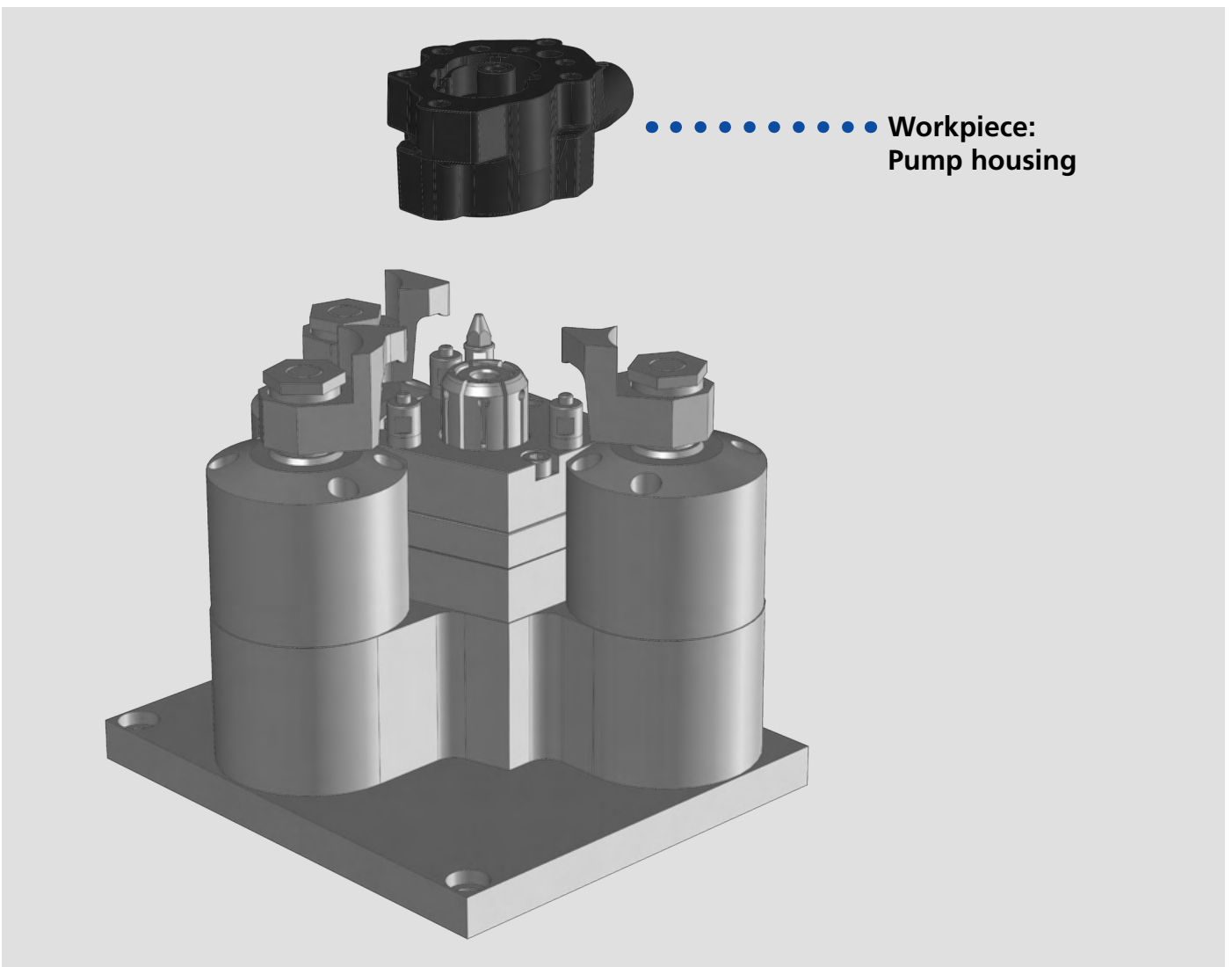
Work piece: Camshaft tube





Application/customer benefits

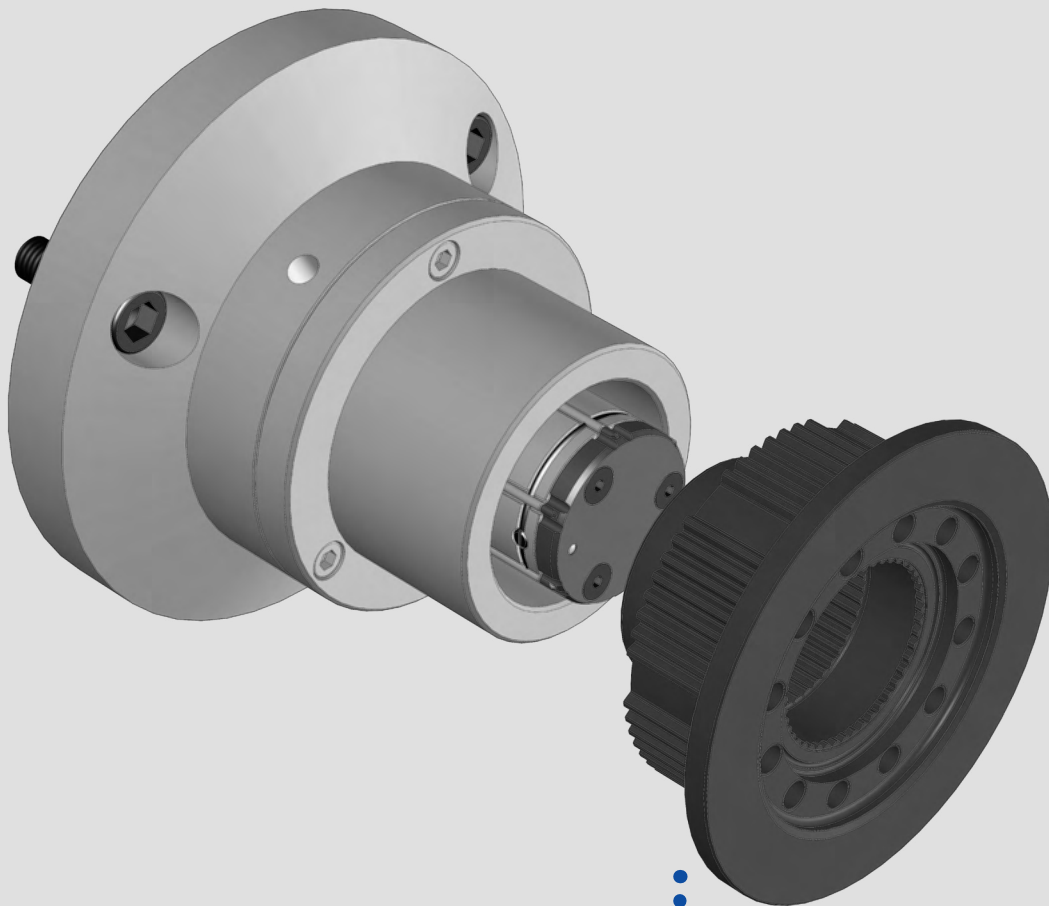
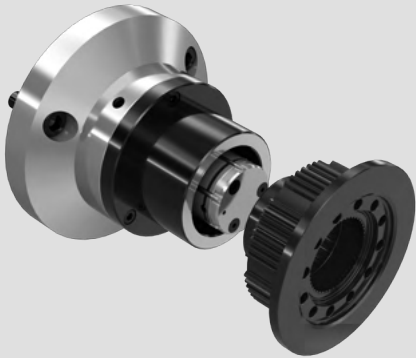
- Hydraulic, power operated, stationary clamping via adapter sleeve in inner diameter (center of the case) without pull down with additional, hydraulic operated rotating collet fingers for pull down against 3-point-surface with position orientation and air sensing
- For drilling and milling at case



•••••••••• **Workpiece:
Pump housing**

Application/customer benefits

- Power operated, centric clamping via sliding jaws in the internal gearing without pull down
- For hard turning of the outer contour of a work piece with very high accuracy and repeatability
- Power operated clamping with profiled jaws
- High repeatability $<0,005$
- Insensitive to contamination
- Low maintenance

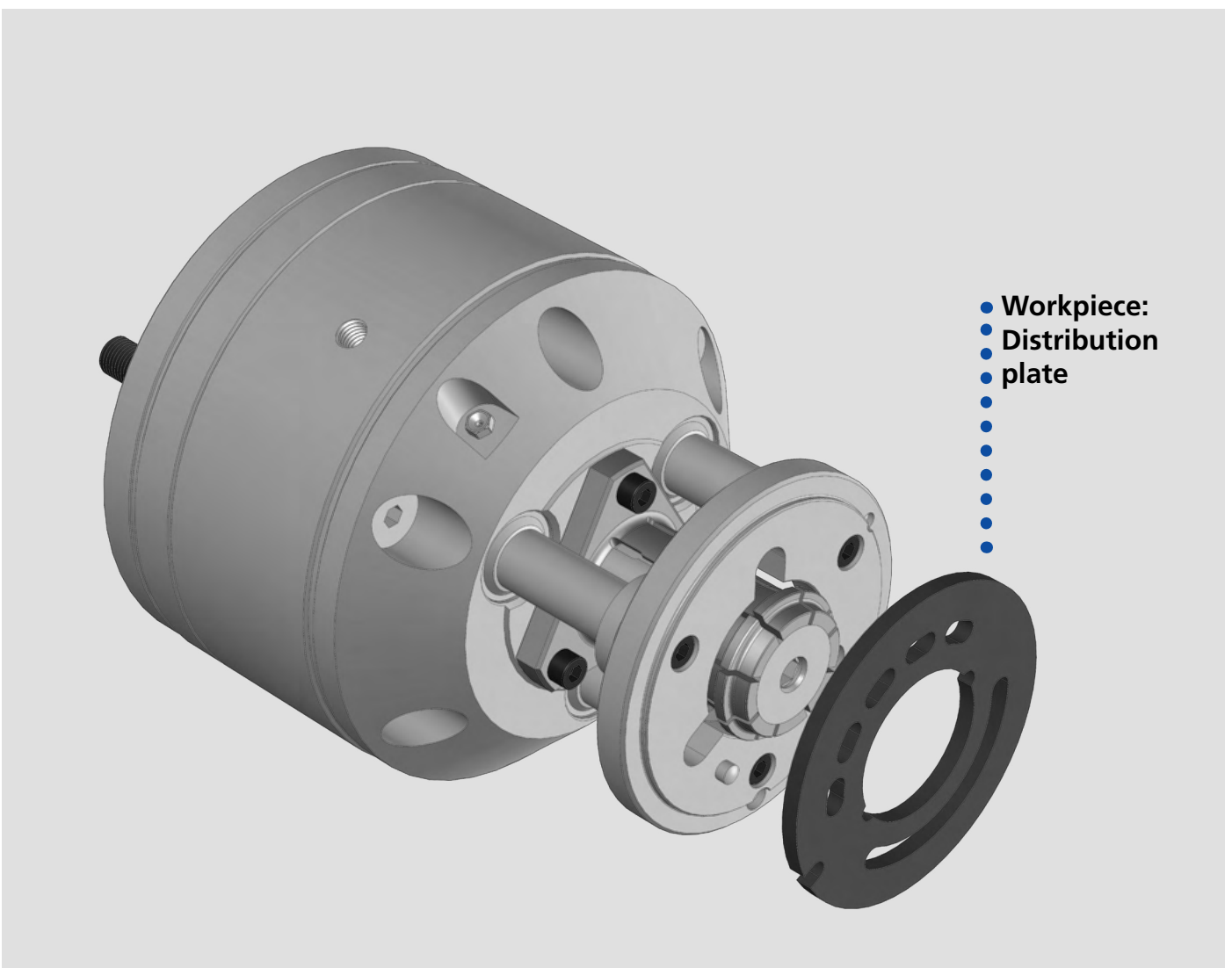


Workpiece:
Hub flange



Application/customer benefits

- Power operated, very short centric clamping via clamping sleeves in inner diameter without pull down with retractable stop and position orientation
- For rough cut turning of the frontside and outer diameter, plan sided drilling operations and following finish of the complete outer contour incl. both plan sides through retractable stop
- Power operated clamping with expanding sleeve
- Without pull down
- With retractable stop
- Two-sided plan processing possible

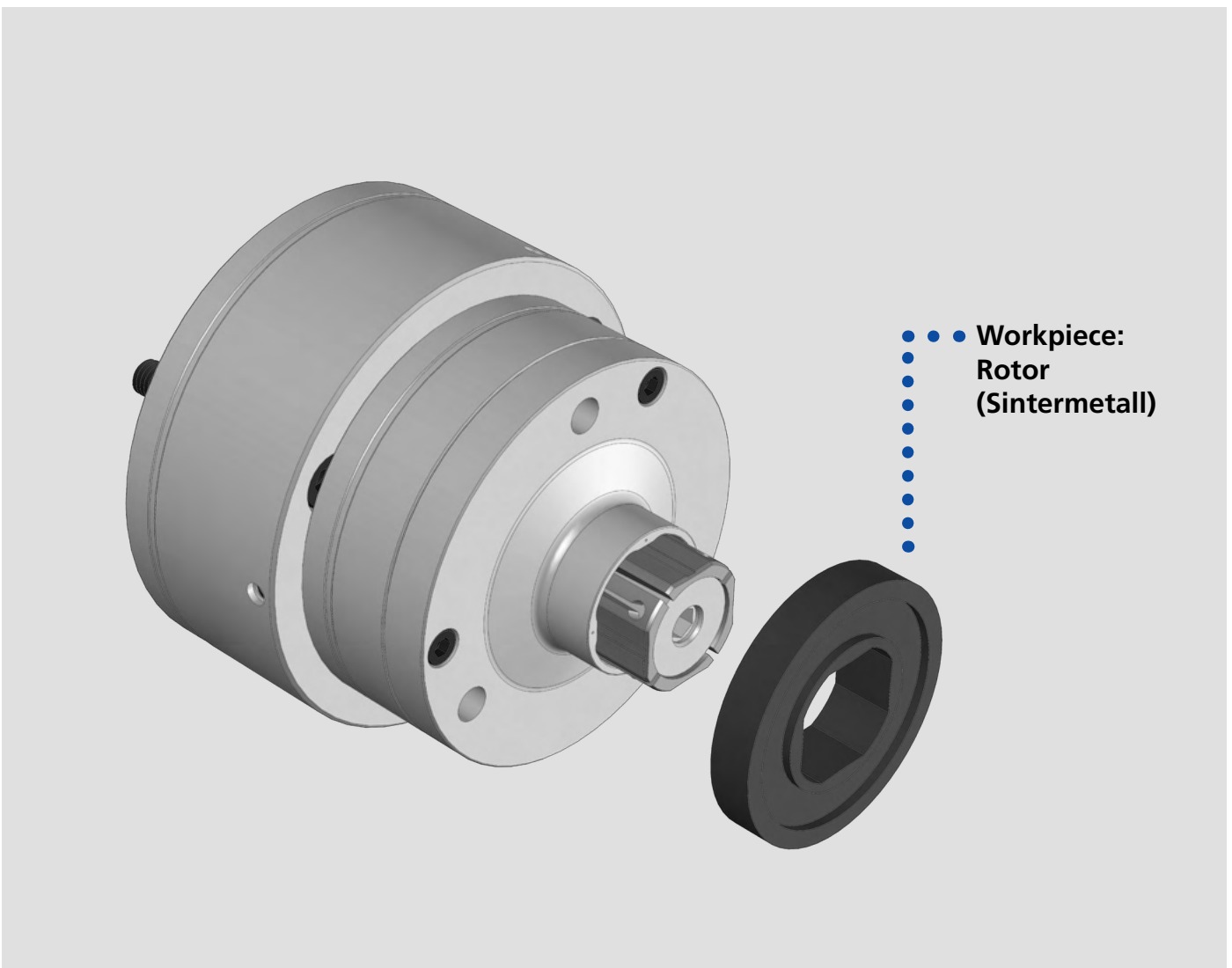


• Workpiece:
• Distribution
• plate



Application/customer benefits

- Power operated, centric clamping via clamping sleeve in a spherical 4-square inner contour with air sensing
- For processing of the outer contour of a Sintermetall workpiece with profiled inner contour
- Power operated clamping with profiled sleeve
- Without axial components
- Two-sided plan processing possible

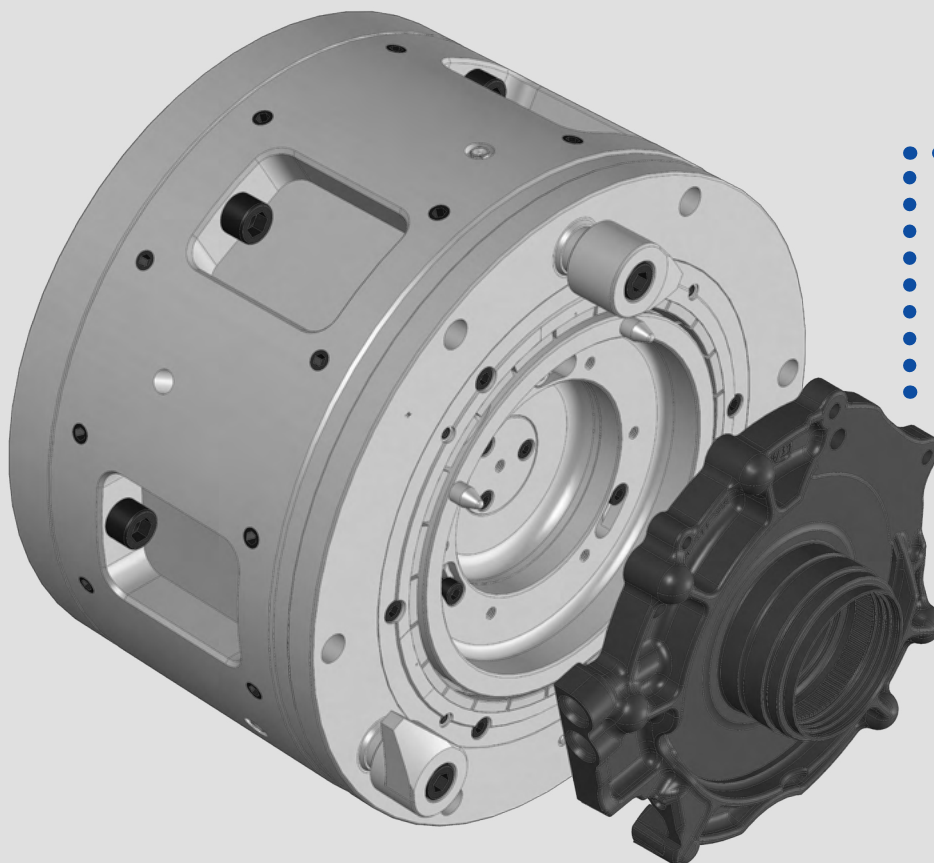


• • • Workpiece:
Rotor
(Sintermetall)



Application/customer benefits

- Pneumatic, power operated centering via collet chuck in outer diameter with pull down with additional, power operated pivot fingers with pull down against the stop, with position orientation, air purge and air sensing
- For central turning of non-symmetrical cases
- Position orientation without deforming the workpiece
- Pneumatic centering with collet chuck
- Power operated plan clamping with plan collet fingers
- Position orientation
- High repeatability
- Huge machining forces
- Insensitive to contamination



• • • Workpiece:
Bearing support

Notes

A large area of horizontal stripes in two shades of blue, alternating between a medium blue and a light blue. This area is intended for writing notes.

Closed center cylinders ■ Open center cylinders

Double piston cylinders



SIN-S

Closed center rotating hydraulic cylinders

- Up to 70 bar
- Central bore for air or coolant
- Stroke control via proximity switch or LPS

Page 322



VNK-T2

Open center rotating hydraulic cylinders

- Up to 45 bar
- Through-hole Ø 37.5 - 127.5 mm
- Extra short overall dimensions
- Stroke control via proximity switch or LPS

Page 324



VSG

Open center rotating hydraulic cylinders

- Up to 30 bar
- EXTRA large through-hole Ø 165 - 204 mm
- Stroke control via proximity switch

Page 327



SIN-HL

Closed center rotating hydraulic cylinders

- Up to 70 bar
- High-low gripping force clamping
- Central bore for air, coolant or oil
- Stroke control via proximity switch or LPS

Page 328



SIN-L

Closed center rotating hydraulic cylinders

- Up to 70 bar
- EXTRA long stroke
- Central bore for air, coolant or oil
- Stroke control via proximity switch or LPS

Page 329



DCN/DCU/DCR

Double piston rotating hydraulic cylinders

- Up to 70 bar
- Modular system for different piston strokes
- Central bore for air, coolant or oil
- Stroke control via proximity switch or LPS

Page 330



ZHVD-SZ

Double piston rotating hydraulic cylinders

- Up to 80 bar
- Central bore for air, coolant or oil
- Stroke control via proximity switch or LPS

Page 332



DCE

Double piston rotating hydraulic cylinders

- Up to 70 bar
- Central bore for air, coolant or oil
- Stroke control via proximity switch or LPS

Page 334



CSN

Closed center rotating pneumatic cylinders

- Up to 7 bar
- Stroke control
- Optional safety valve

Page 336



LPS 4.0

Linear positioning system cylinder stroke

- Analog or digital output signal
- Monitoring of the entire cylinder stroke
- LPS 4.0 14 IO Link measuring range = 14 mm
- LPS 4.0 48 IO Link measuring range = 48 mm
- LPS 4.0 120 IO Link measuring range = 120 mm

Page 337



Binary Box 4.0

Binary Interface Box

- Binary output signal
- Suitable to LPS 4.0 series
- Easy setup - Plug & Play
- Binary signal backward compatible to LPS 4.0

Page 340



RU-1-10, RU-1-16, RU-2-22

Rotary union for media supply for rotating cylinders

- Universal for air, oil or coolant
- RU-1-10 / RU-1-16 = 1 medium
- RU-2-22 = 2 media

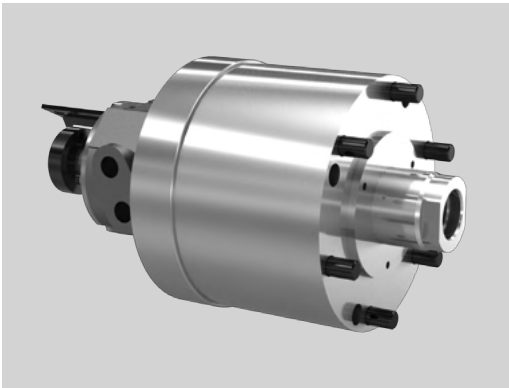
Page 341

SIN-S

Closed center
rotating hydraulic cylinder

Closed center rotating hydraulic cylinder

- Up to 70 bar
- Central bore for media supply
- Stroke control via proximity switch or LPS 4.0



Application/customer benefits

- Actuation of power chucks / closed or partial open center mounting applications

Technical features

- Pressure range 7 - 70 bar
- Horizontal or vertical installation
- Central bore for coolant, oil or air with thread for rotary union
- Safety valves and excess pressure relief valve
- Mounting from the rear or from the front side with through bolts
- Stroke control via proximity switch or linear positioning system
- A 10 µm filter in pressure line is requested
- Use oil HM32 ISO 3448

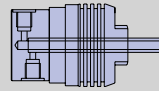
SIN-S standard version

- Central bore + thread for rotary union

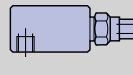
Ordering example

SIN-S standard version

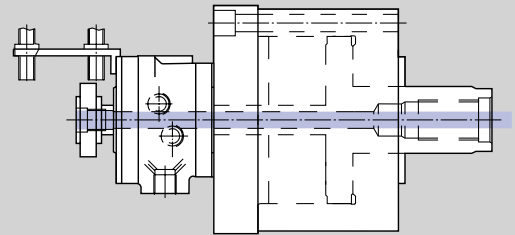
- Cylinder SIN-S 125 Id. No. 33093112
- Rotary union Id. No. 043271
(proximity switch not included)



RU-2-22
Id. No. 044970



RU-1-16
Id. No. 043271



SIN-PXP with linear positioning system

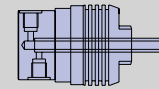
- Central bore + thread for rotary union

Ordering example

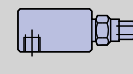
SIN-S standard version

- (1)* Cylinder SIN-S 125 prepared for PXP / LPS Id. No. 77093112
- (2)* Kit PXP (bracket and taper) Id. No. 60557915 (sensor PXP Ø 30 not included)
- Rotary union Id. No. 044970

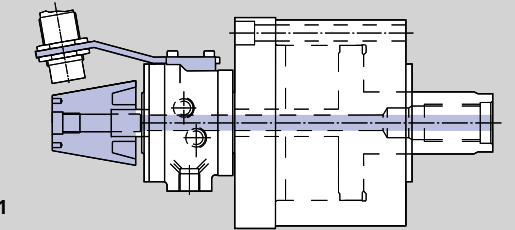
* **Attention:** Standard cylinder (1) and kit (2) can be supplied as assembled with the single part number 33092912 (see table below "SIN-S equipped with kit PXP")



RU-2-22
Id. No. 044970



RU-1-16
Id. No. 043271



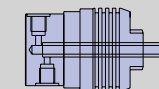
SIN-LPS 4.0 with linear positioning system

- Central bore + thread for rotary union

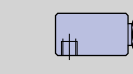
Ordering example

SIN-S standard version

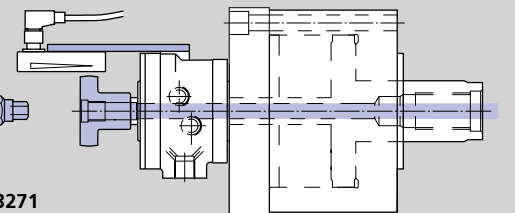
- Cylinder SIN-S 125 prepared for PXP / LPS Id. No. 77093112
- Kit LPS 4.0 (bracket and cam) Id. No. 046613 (LPS 4.0 not included)
- Rotary union Id. No. 044970



RU-2-22
Id. No. 044970



RU-1-16
Id. No. 043271



Technical data

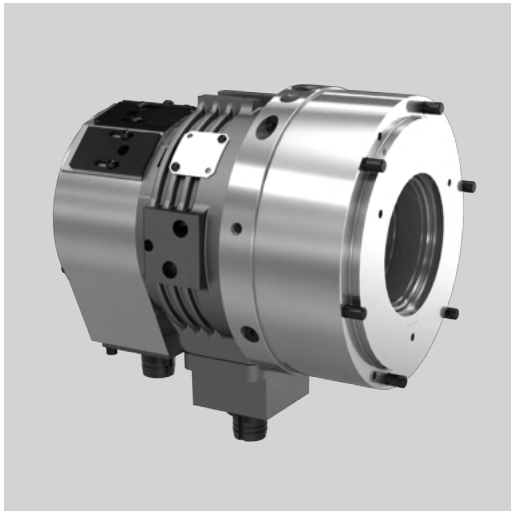
SMW-AUTOBLOK Type		SIN-S 50	SIN-S 70	SIN-S 85	SIN-S 100	SIN-S 125	SIN-S 150	SIN-S 175	SIN-S 200	SIN-S 250
SIN-S standard version		33093105	33093107	33093109	33093110	33093112	33093115	33093117	33093120	33093125
SIN prepared for PXP/LPS		77093105	77093107	77093109	77093110	77093112	77093115	77093117	77093120	77093125
Kit PXP		60557910	60557915	60557910	60557910	60557915	60557915	60557915	60557920	60557920
Kit LPS 4.0		046588	046588	046588	046588	046588	046588	046588	046612	046612
SIN-S equipped with kit PXP		33092905	33092907	33092909	33092910	33092912	33092915	33092917	33092920	33092925
Piston area	cm ²	14	28	48	66	103	157	212	280	457
Max. pressure	bar	70	70	70	70	70	70	70	70	50
Draw pull at 40 bar	kN	5.5	11	19	26	41	62	84	112	180
Oil leakage ¹	dm ³ /min	1	1	1	1	1	1	1	2	2
Max. speed	r.p.m.	7000	7000	7000	7000	6000	6000	5000	4000	2000
Weight	kg	8.5	8.5	8	11	16	20	24	45	88
Moment of inertia	kg·m ²	0.012	0.012	0.012	0.016	0.04	0.08	0.12	0.32	0.92

¹ Total at 30 bar and 50°C.

VNK-T2

Open center
rotating hydraulic cylinder

- Up to 45 bar
- Through-hole Ø 37.5 - 127.5 mm
- Short design / low mass
- Stroke control via proximity switch or LPS 4.0



Application/customer benefits

- Actuation of open center jaw and collet power chucks
- Machining of bars and tubes / clamping of long workpieces

Technical features

- Pressure range 8 - 45 bar
- Short design / low mass / low power consumption
- Horizontal installation only
- Safety valves and excess pressure relief valve
- Mounting from the rear side with bolts
- A 10 µm filter in pressure line is requested
- Use oil HM32 ISO 3448

VNK-T2

standard version

- Mounting for bar guides standard
- Bar guides not included

VNK-T2-PXP

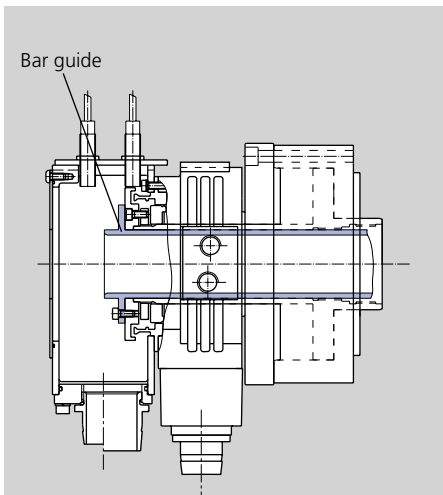
for linear positioning system

- Mounting for bar guides standard
- Bar guides not included
- Minikit PXP must be ordered separately
- Sensor PXP Ø 30 mm not included

VNK-T2-LPS 4.0

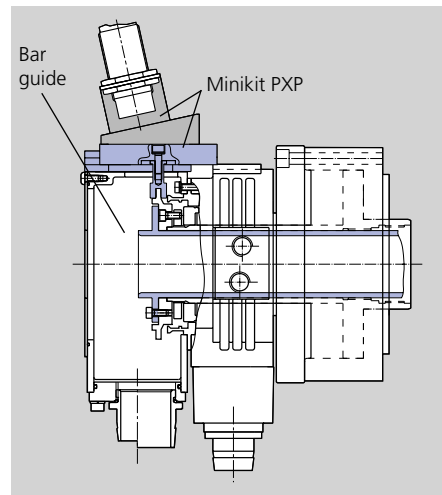
for linear positioning system LPS 4.0

- Bar guides not included
- Minikit LPS 4.0 must be ordered separately
- Sensor LPS 4.0 not included (see page 337)



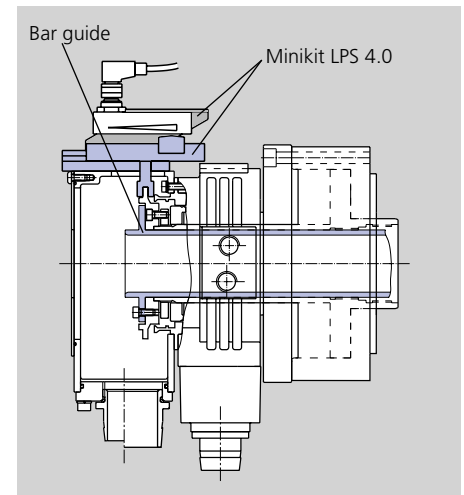
Ordering example VNK-T2 150-67

- Cylinder Id. No. 33092216



Ordering example VNK-T2 150-67-PXP

- Cylinder Id. No. 77091916
- Minikit PXP Id. No. 60367941***



Ordering example VNK-T2 150-67-LPS 4.0

- Cylinder Id. No. 77091916
- Minikit LPS 4.0 Id. No. 46593***

Technical data

SMW-AUTOBLOK Type VNK-T2		70-37	102-46	130-52	150-67	170-77	176-82	200-86	225-95	250-110	320-127
VNK-T2 Standard version		33092211	33092213	33092215	33092216	33092218	33092217	33092219	33092220	33092222	33092225
VNK-T2 prepared for PXP/LPS		77091911	77091913	77091915	77091916	77091918	77092017	77091919	77091920	77091922	77091925
Minikit PXP		60367941	60367941	60367941	60367941	60367941	60367941	60367941	60367941	60367941	60367941
Minikit LPS 4.0		046593	046593	046593	046593	046593	046593	046593	046593	046593	046593
Piston area	cm ²	70	103	131	152	170	176	197	226	247	325
Through-hole	mm	37.5	46.5	52.5	67.5	77	82	86	95	110	127.5
Max. pressure	bar	45	45	45	45	45	45	45	45	45	45
Draw pull at 45 bar	kN	32	47	59	68	76	79	89	102	110	144
Oil leakage*	dm ³ /min	2.5	3	3.5	4	4.5	4.5	5	7	9	12
Max. speed	r.p.m.	8000	7000	6300	5500	5000	5000	4500	4000	3600	3200
Weight	kg	8	12	15	20	23	25	27	30	49	61
Moment of inertia	kg·m ²	0.013	0.028	0.04	0.07	0.09	0.12	0.13	0.17	0.28	0.54
Power absorption**	kW	0.85	1	1.2	1.5	1.8	1.8	1.9	1.9	2.2	2.5

* Total at 30 bar / 50 °C.

** At max. speed / oil HM32 ISO 3448.

*** Sensor non included in minikit.

Important: On higher pressure the leakage increases proportionally. On higher oil temperature the leakage increases over proportionally (the use of an oil cooler is recommended). When designing / checking the hydraulic unit please ask for our data sheets.

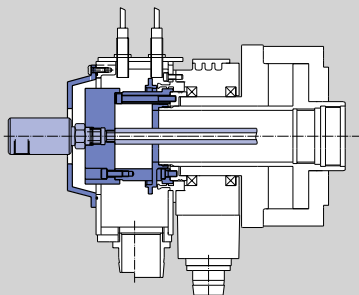
VNK-T2

Open center
rotating hydraulic cylinder

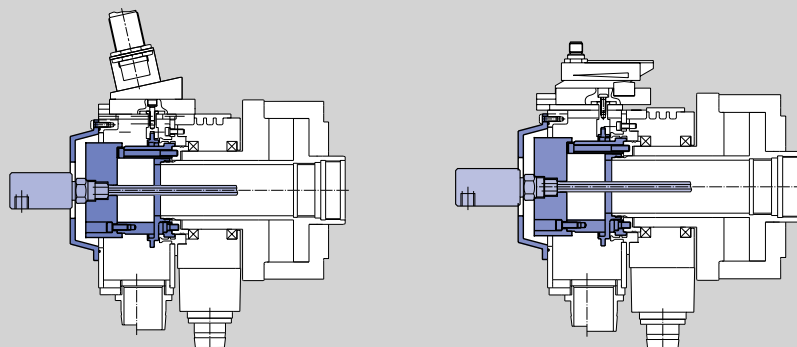
Kits for VNK-T2 cylinders (optional)

- Kit CP3 for rotary union
- Kit adjusting workstop

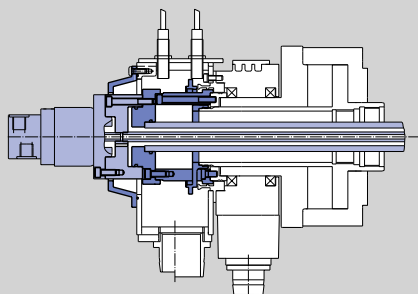
Kit CP3 for VNK-T2 standard 1 medium rotary union



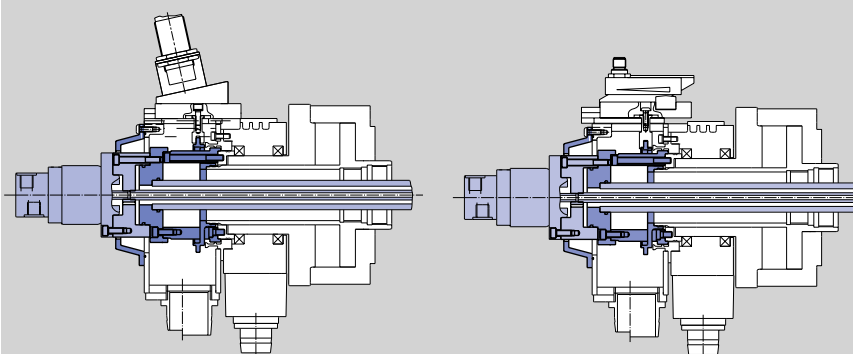
Kit CP3 for VNK-T2-PXP / VNK-T2-LPS-4.0 1 medium rotary union



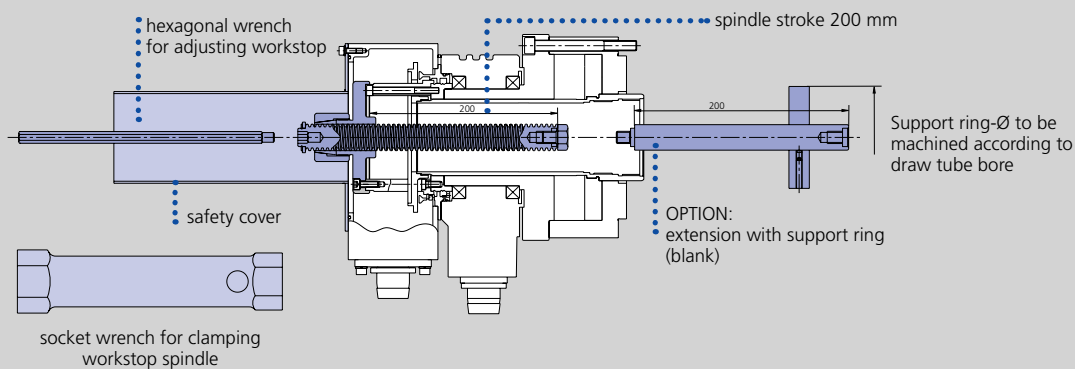
Kit CP3 for VNK-T2 standard 2 media rotary union



Kit CP3 for VNK-T2-PXP / VNK-T2-LPS-4.0 2 media rotary union



Kit adjustable workstop (only for cylinders with Kit CP3 mounted)



SMW-AUTOBLOK Type VNK-T2	70-37	102-46	130-52	150-67	170-77	176-82	200-86	225-95	250-110	320-127
Id. No. adjusting workstop	044540	044542	044544	044546	044548	046682	044550	044552	044554	044556

Important:

The basis to mount the axial workstop is a VNK-T2 cylinder **with the CP-3 standard unit** mounted. The spindle of the work stop can have a through-hole for media as an option.

- Up to 30 bar
- EXTRA large through-hole \varnothing 165 - 204 mm
- Stroke control via proximity switch



Application/customer benefits

- Actuation of EXTRA large through-hole power chucks
- Clamping of very big and long components

Technical features

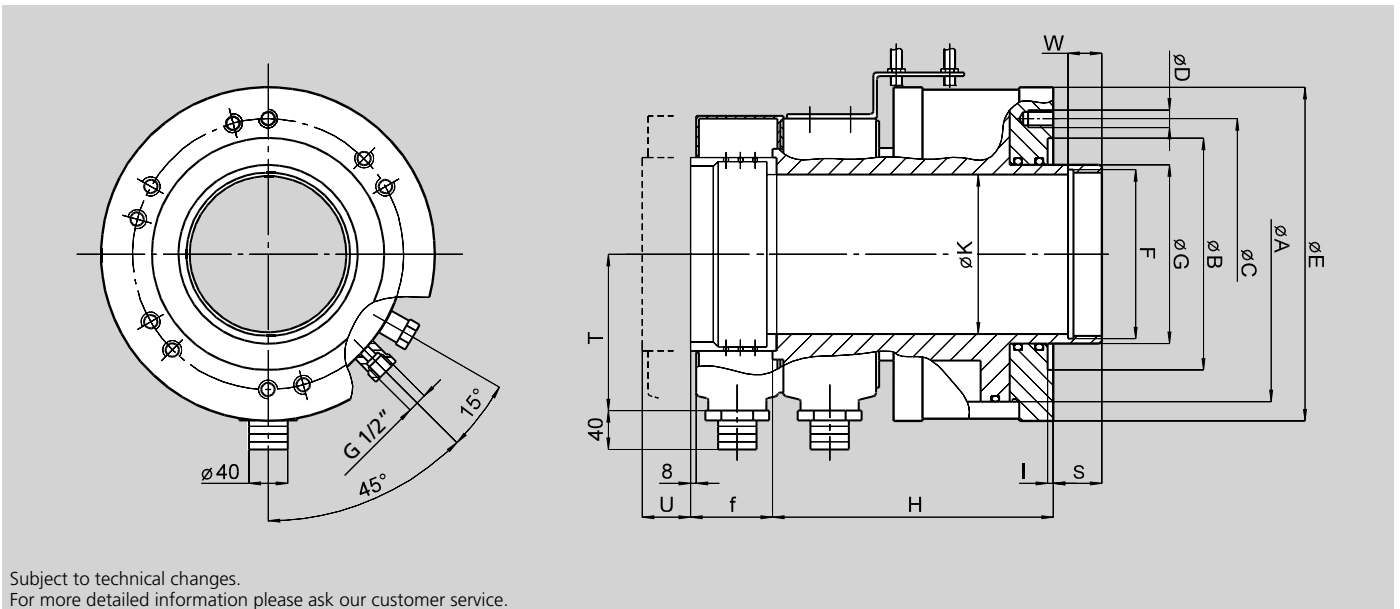
- Short design / low mass / low power consumption
- Pressure range 8 - 30 bar
- EXTRA large through-hole
- Horizontal installation only
- Mounting from the front side into tapped holes
- A 10 μ m filter in pressure line is requested
- Use Oil HM32 ISO 3448

Standard equipment

Open center hydraulic cylinder with coolant collector CP1
Bracket for proximity switches (for stroke control)
Without proximity switches and mounting bolts

Ordering example

Open center hydraulic cylinder VSG 450-165
or
Open center hydraulic cylinder VSG 550-205



Subject to technical changes.
For more detailed information please ask our customer service.

Dimensions

SMW-AUTOBLOK Type	Id. No.	A	B	C	D	E	F	G	H	I	K	S	T	U	W	f
		mm	mm	mm	mm	mm	mm	mm	mm	mm	mm	mm	mm	stroke mm	mm	mm
VSG 450-165	33094130	305	240	280	6 x M16	345	M175 x 3	185	290	6	165	50	162	51	35	85
VSG 550-205	33094135	350	280	320	6 x M20	390	M215 x 3	228	314	6	204	50	200	51	35	85

Technical data

SMW-AUTOBLOK Type	Piston area		Max. pressure bar	Draw pull (at 25 bar) kN	Oil leakage* dm ³ /min.	Max. speed r.p.m.	Weight kg	Moment of inertia kg·m ²
	Pull cm ²	Push cm ²						
VSG 450-165	460	350	30	115	9	2000	100	1.4
VSG 550-205	550	405	30	137	10	1600	135	2.4

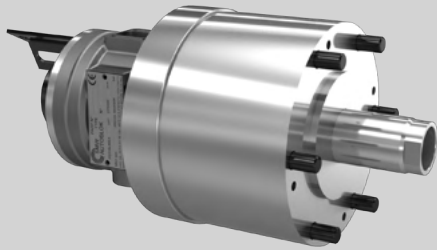
* Total at 30 bar / 50 °C / max. speed / oil HM32 ISO 3448.

Important: On higher pressure the leakage increases proportionally. On higher oil temperature the leakage increases over proportionally (the use of an oil cooler is recommended). When designing / checking the hydraulic unit please ask for our data sheets.

SIN-HL

Closed center rotating hydraulic cylinder

- High-low clamping
- Up to 70 bar
- Central bore for media supply
- Stroke control via proximity switch or LPS 4.0



Application/customer benefits

- Actuation of power chucks used for high-low clamping of thin-walled components in combination with SMW-AUTOBLOK chucks type KNCS-N, KNCS-NB, KNCS-NBX, HFKN, IEP or TS
- Closed or partial open center mounting applications

Technical features

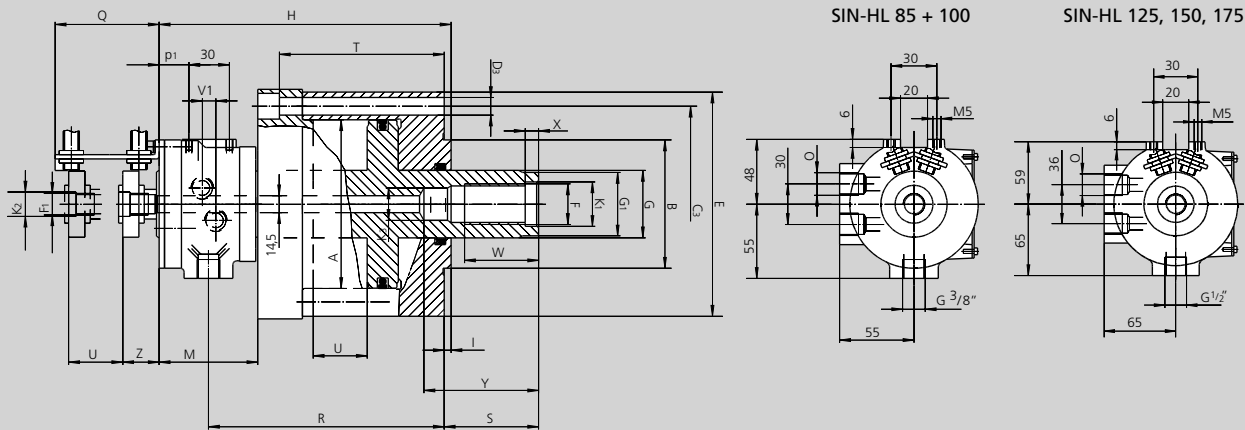
- Symmetric piston areas for high-low clamping
- Pressure range 8 - 70 bar
- Horizontal or vertical installation
- Safety valves and excess pressure relief valve
- Central bore for coolant, oil or air with thread for rotary union
- Mounting from the rear side with bolts
- Stroke control via proximity switch or LPS 4.0
- A 10 µm filter in pressure line is requested. Use oil HM32 ISO 3448

Standard equipment

Closed center hydraulic cylinder with stroke control and mounting bolts (without proximity switches)

Ordering example

Closed center cylinder
SIN-HL 125 Id. No. 33093812
with rotary union (optional)



Subject to technical changes.
For more detailed information please ask our customer service.

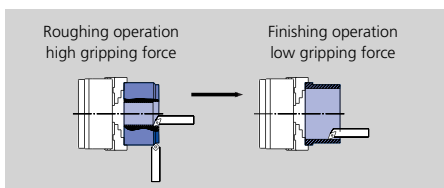
Dimensions and technical data

SMW-AUTOBLOK Type	Id. No.	A	B	C3	D3	E	F	F1	G	G1	H	I	K1	K2	K3	M	O	Q
		mm	h6	mm	(6x60°)	mm	mm	mm	mm	mm	mm	mm	mm	mm	mm	mm	inch	mm
SIN-HL 85	33093809	85	80	120	11	140	M24	M16x1.5 LH	32	30 x 10	192	5	25	18	18	75	G3/8"	77
SIN-HL 100	33093810	100	80	120	11	140	M24	M16x1.5 LH	32	30 x 10	192	5	25	18	18	75	G3/8"	77
SIN-HL 125	33093812	125	95	145	13	166	M30	M16x1.5 LH	40	38 x 12	231	5	31	18	24	93	G1/2"	97
SIN-HL 150	33093815	150	95	170	13	192	M36	M16x1.5 LH	50	48 x 12	237	5	37	18	28	97	G1/2"	97
SIN-HL 175	33093817	175	125	195	13	217	M36	M16x1.5 LH	50	48 x 12	259	5	37	18	28	97	G1/2"	97

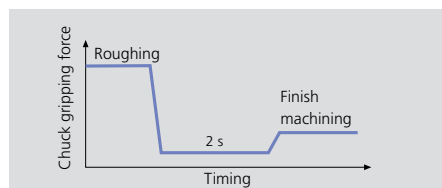
SMW-AUTOBLOK Type	R	S	T	U	V1	W	X	Y	Z	p1	Piston area	Max. pressure	Draw (at 40 bar)	Oil leakage*	Max. speed	Weight	Moment of inertia
	mm	mm	mm	mm	mm	mm	mm	mm	mm	mm	cm ²	bar	kN	dm ³ /min.	r.p.m.	kg	kg·m ²
SIN-HL 85	149.5	47	95	32	10	40	10	62	27	23	49	70	19	1.5	7000	11	0.016
SIN-HL 100	149.5	47	95	32	10	45	10	62	27	23	70	70	28	1.5	7000	11	0.016
SIN-HL 125	181	70	121	40	12	55	10	75	27	37	110	70	44	1.5	6000	18	0.045
SIN-HL 150	183	70	121	40	12	55	10	75	27	41	157	70	62	1.5	6000	23	0.092
SIN-HL 175	205	72	143	52	12	55	10	75	27	41	220	70	88	1.5	5000	30	0.15

* Total at 30 bar and 50°C.

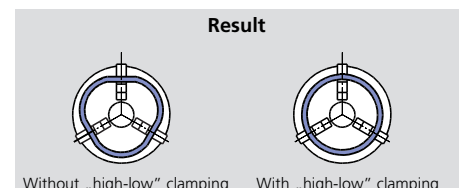
„High-low“ clamping for thin-walled components



For easily deformed components SMW-AUTOBLOK offers "high-low" clamping. The gripping force of the chuck can be reduced from a large amount of gripping force used in roughing, to a smaller amount of gripping force for a finishing cut.



The combination between the SIN-HL cylinder and a SMW-AUTOBLOK "high-low" suitable chuck allows a monitored reduction in the gripping force. The component remains clamped in the chuck safely, however, the stress of the component can be released.



The result are round components with a minimum of deformation. The "high-low" cycle is programmable and is finished completely within 2-4 sec.

For additional information please ask our engineers.

- EXTRA long stroke
- Up to 70 bar
- Central bore for air, coolant or oil
- Stroke control via proximity switch or LPS 4.0

Application/customer benefits

- Actuation of power chucks or clamping devices requesting a very long stroke, for example the SMW-AUTOBLOK retractable jaw chuck type W or GSA

Technical features

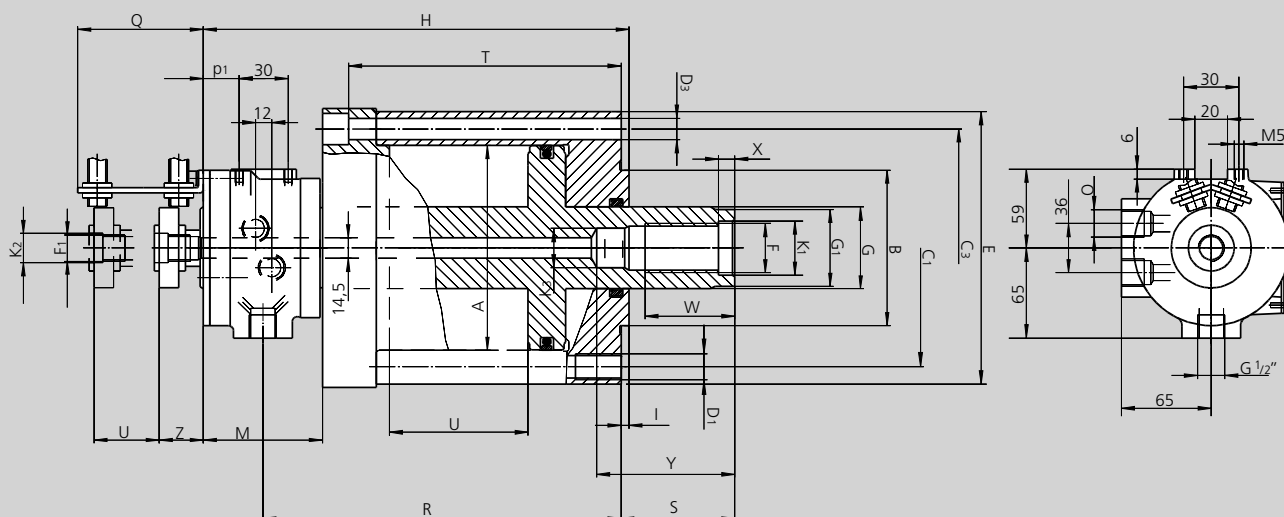
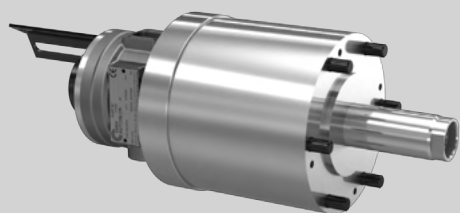
- EXTRA long stroke
- Pressure range 8 - 70 bar
- Horizontal or vertical installation
- Safety valves and excess pressure relief valve
- Central bore for coolant, oil or air with thread for rotary union
- Mounting from the rear side with bolts
- Stroke control via proximity switch or linear positioning system
- A 10 µm filter in pressure line is requested.
- Use oil HM32 ISO 3448

Standard equipment

Closed center cylinder with stroke control and mounting bolts
Proximity bracket (without proximity switch)

Ordering example

Closed center cylinder SIN-L 125
or closed center cylinder SIN-L 150
with rotary union (optional)



Subject to technical changes.
For more detailed information please ask our customer service.

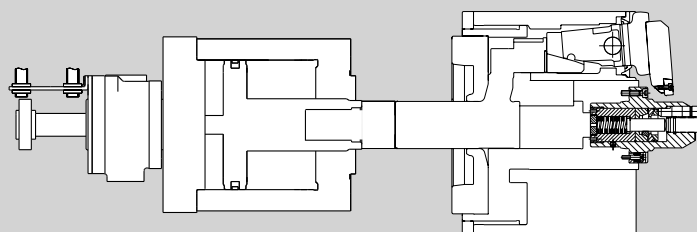
Dimensions and technical data

SMW-AUTOBLOK Type	Id. No.	A	B	C3	D3	E	F	F1	G	G1	H	I	K1	K2	K3	M	O	Q	R	S
		mm	h6 mm	mm	(6x60°) mm	mm		mm	mm	mm	mm	mm	H7 mm	j6 mm	H8 mm	mm	inch	mm	mm	max. mm
SIN-L 100	33093910	100	80	120	11	140	M24	M16 x1.5 LH	40	38	231	5	25	18	18	73	G3/8"	107	190	85
SIN-L 125	33093912	125	95	145	13	170	M30	M16 x1.5 LH	40	38	266	5	31	18	24	93	G1/2"	133	221	100
SIN-L 150	33093915	150	95	170	13	196	M36	M16 x1.5 LH	50	48	287	5	37	18	28	97	G1/2"	133	238	120
SIN-L 175	33093917	175	125	195	13	221	M36	M16 x1.5 LH	50	48	292	5	37	18	28	97	G1/2"	133	243	115

SMW-AUTOBLOK Type	T	U	W	X	Y	Z	p1	Piston area		Max. pressure	Pull / push (at 70 bar)	Oil leakage*	Max. speed	Weight	Moment of inertia
	mm	mm	mm	mm	mm	min. mm	mm	pull cm ²	push cm ²	bar	kN	dm ³ / min.	r.p.m.	kg	kg·m ²
SIN-L 100	139	67	45	10	72	32	22	66	74	70	46/52	2	7000	13.5	0.031
SIN-L 125	161	80	55	10	75	27	37	107	107	70	75/75	2	4500	21	0.132
SIN-L 150	176	95	55	10	75	27	41	153	153	70	107/107	2	4500	28	0.143
SIN-L 175	181	95	55	10	75	27	41	216	216	70	151/151	2	4000	37	0.173

* Total at 30 bar and 50°C.

SIN-L cylinder with W or GSA retractable jaw chuck with spring loaded face driver



DCN/DCU/DCR

Rotating hydraulic cylinder
with 2 independent pistons

- Modular system for different piston strokes
- Up to 70 bar
- Central bore for air / coolant / oil
- Stroke control via proximity switch or LPS 4.0



Application/customer benefits

- Actuation of retractable jaw chuck with power operated face drivers
- Actuation of power chuck with part-ejector
- Actuation of power chucks with retractable axial stop / finger chucks with power operated centering fixture / chucks typ TPT-C with 2 piston actuation

Technical features

- Double piston cylinder with 4 way oil manifold for separate actuation of the 2 cylinders
- Pressure range 8 - 70 bar
- Modular system for different piston strokes: DCN, DCU and DCR
- Horizontal or vertical installation
- Stroke control on each cylinder, safety valves on the big cylinder
- Central bore for coolant, oil or air with thread for rotary union
- Mounting from the rear side with bolts
- A 10 µm filter in pressure line is requested
- Use oil HM32 ISO 3448

Standard equipment

Double piston cylinder with shift ring
Mounting screws
Stroke control on each cylinder
Proximity bracket (without proximity switches)

Ordering example

Double piston cylinder DCN 125-30
or
Double piston cylinder DCN 125-30
with rotary union (optional)

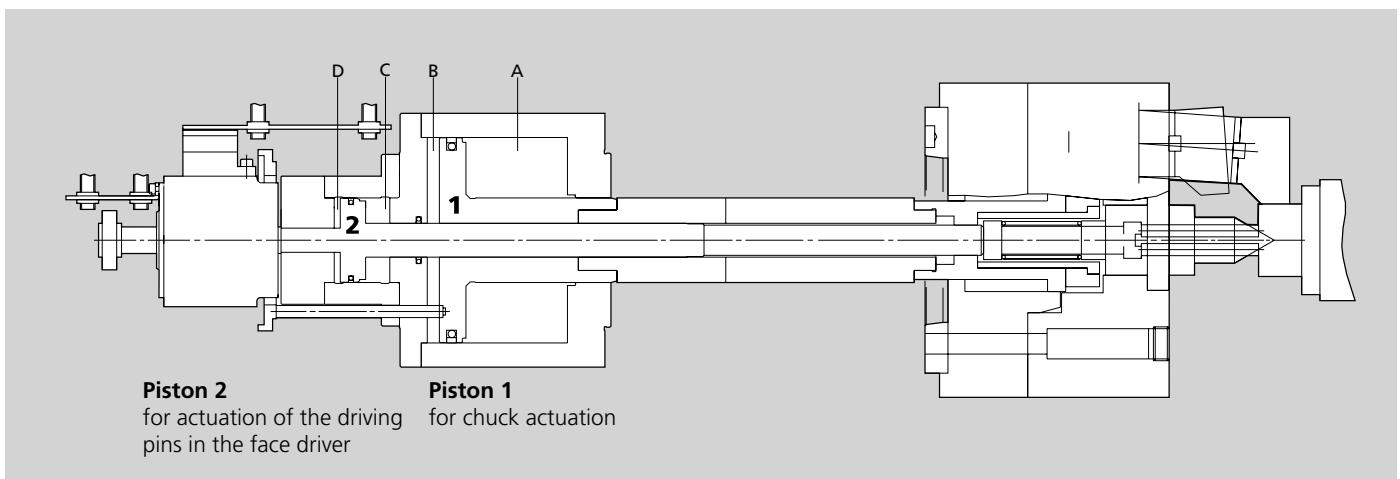
Technical data

SMW-AUTOBLOK Type		60 / 20		125 / 30				170 / 40	170 / 60	170 / 40
		DCN 55-38	DCR 32-38	DCN 70-25	DCN 87-40	DCU 40-40	DCR 40-80	DCN 95-50	DCU 50-48	DCR 50-95
Id. No.		33705206	33705406	33705213	33705214	33705313	33705413	33705215	33705315	33705415
Piston stroke	mm	55-38	32-38	70-25	87-40	40-40	40-80	95-50	50-48	50-95
Piston area A	cm ²	48	48	111	111	111	111	146	146	146
Piston area B	cm ²	60	60	125	125	125	125	168	168	168
Piston area C	cm ²	21	21	27	27	27	27	36	56	36
Piston area D	cm ²	21	21	30	30	30	30	40	60	40
A Piston force max.	kN	33.5	33.5	77	77	77	77	102	102	102
B Piston force max.	kN	42	42	87	87	87	87	118	118	118
C Piston force max.	kN	14.5	14.5	19	19	19	19	25	39	25
D Piston force max.	kN	14.5	14.5	21	21	21	21	28	42	28
Max. speed	r.p.m.	5000	5000	5000	5000	5000	5000	4000	4000	4000
Weight	kg	16.2	15.3	23.2	24	22.5	23	32	30	31
Moment of inertia	kg·m ²	0.027	0.026	0.088	0.091	0.085	0.087	0.15	0.14	0.14
Operating pressure max.	bar	70	70	70	70	70	70	70	70	70
Operating pressure min.	bar	8	8	8	8	8	8	8	8	8
Oil leakage (*)	dm ³ /min	3	3	3	3	3	3	3	3	3

* Total at 30 bar / 50 °C.

Important: On higher pressure the leakage increases proportionally. On higher oil temperature the leakage increases over proportionally (the use of an oil cooler is recommended). When designing / checking the hydraulic unit please ask for our data sheets.
Option: LPS 4.0 linear stroke control. Rotary union for oil / coolant / air.

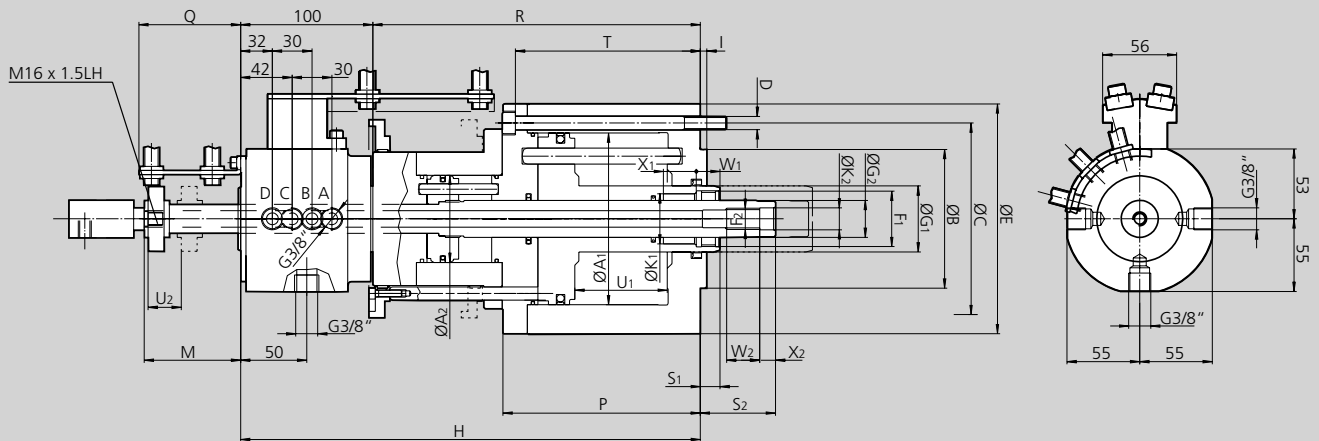
Cylinder DCN for retractable jaw chucks type W or GSA with face drivers with fixed center



DCN/DCU/DCR

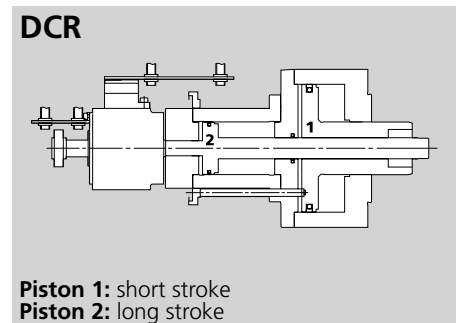
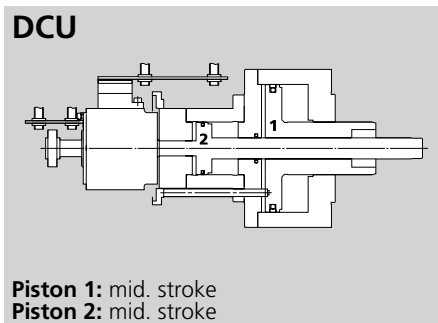
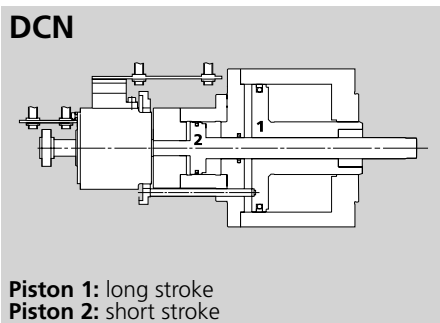
- Modular system for different piston strokes
- Up to 70 bar
- Central bore for air / coolant / oil
- Stroke control via proximity switch or LPS 4.0

Rotating hydraulic cylinder
with 2 independent pistons



Subject to technical changes.
For more detailed information please ask our customer service.

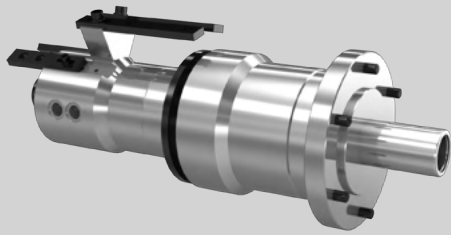
SMW-AUTOBLOK Type			60 / 20		125 / 30			170 / 40	170 / 60	170 / 40	
			DCN 55-38	DCR 32-38	DCN 70-25	DCN 87-40	DCU 40-40	DCR 40-80	DCN 95-50	DCU 50-48	DCR 50-95
Piston diameter 1	A1	mm	90	90	130	130	130	130	150	150	150
Piston diameter 2	A2	mm	56	56	66	66	66	66	75	90	75
Centering rim	B h6	mm	80	80	105	105	105	105	120	120	120
Fixing bolt circle	C	mm	106	106	145	145	145	145	175	175	175
Fixing bolts	D	mm	6 x M8	6 x M8	6 x M10	6 x M10	6 x M10	6 x M10	6 x M12	6 x M12	6 x M12
	E	mm	125	125	174	174	174	174	204	204	204
Piston rod thread 1	F1	mm	M32 x 1.5	M32 x 1.5	M42 x 1.5	M42 x 1.5	M42 x 1.5	M42 x 1.5	M45 x 1.5	M45 x 1.5	M45 x 1.5
Piston rod thread 2	F2	mm	M16 x 1.5	M16 x 1.5	M16	M16	M16	M16	M20	M20	M20
	G1	mm	45	45	50	50	50	50	60	60	60
	G2	mm	22	22	28	28	28	28	30	30	30
	H	mm	331	308	348	380	333	373	411	366	411
	I	mm	5	5	5	5	5	5	5	5	5
	K1	mm	32.5	32.5	38	38	38	38	42	42	42
	K2	mm	16.5	16.5	16.5	16.5	16.5	16.5	22	22	22
Max.	M	mm	67	67	73	73	73	103	73	73	118
	P	mm	198	175	150	167	120	120	184	139	139
	Q	mm	77	77	77	77	77	107	77	77	122
	R	mm	231	208	248	280	233	273	306	266	311
Min.	S1	mm	8	8	15	15	45	45	15	60	60
Min.	S2	mm	35	12	57	75	72	82	73	118	73
	T	mm	-	-	140	157	110	110	172	127	127
Piston stroke cyl. 1	U1	mm	55	32	70	87	40	40	95	50	50
Piston stroke cyl. 2	U2	mm	38	38	25	40	40	80	50	48	95
	W1	mm	30	30	18	18	18	18	42	42	42
	W2	mm	25	25	25	25	25	25	25	25	25
	X1	mm	-	-	25	25	25	25	10	10	10
	X2	mm	7	7	12	12	12	12	12	12	12



ZHVD-SZ

Rotating hydraulic cylinder
with 2 independent pistons

- Up to 80 bar
- Central bore for air / coolant / oil
- Stroke control via proximity switch or LPS 4.0



Application/customer benefits

- Actuation of retractable jaw chuck with power operated face drivers (type W / GSA)
- Actuation of power chuck with part-ejector
- Actuation of power chucks with retractable axial stop / finger chucks with power operated centering fixture / chuck type TPT-C with 2+2 actuation

Technical features

- Double piston cylinder with 4 way oil manifold for separate actuation of the cylinders
- Horizontal or vertical installation
- Stroke control on each cylinder, safety valves on the big cylinder (Piston 1)
- Central bore for coolant, oil or air with thread for rotary union
- Mounting from the rear side with bolts
- A 10 µm filter in pressure line is requested. Use oil HM32 ISO 3448
- Pressure range 8 - 80 bar

Standard equipment

Double piston cylinder with shift ring
Mounting screws
Stroke control on each cylinder
Proximity bracket (without proximity switches)

Ordering example

Double piston cylinder ZHVD-SZ 068-17
or
Double piston cylinder ZHVD-SZ 068-17
with rotary union (optional)

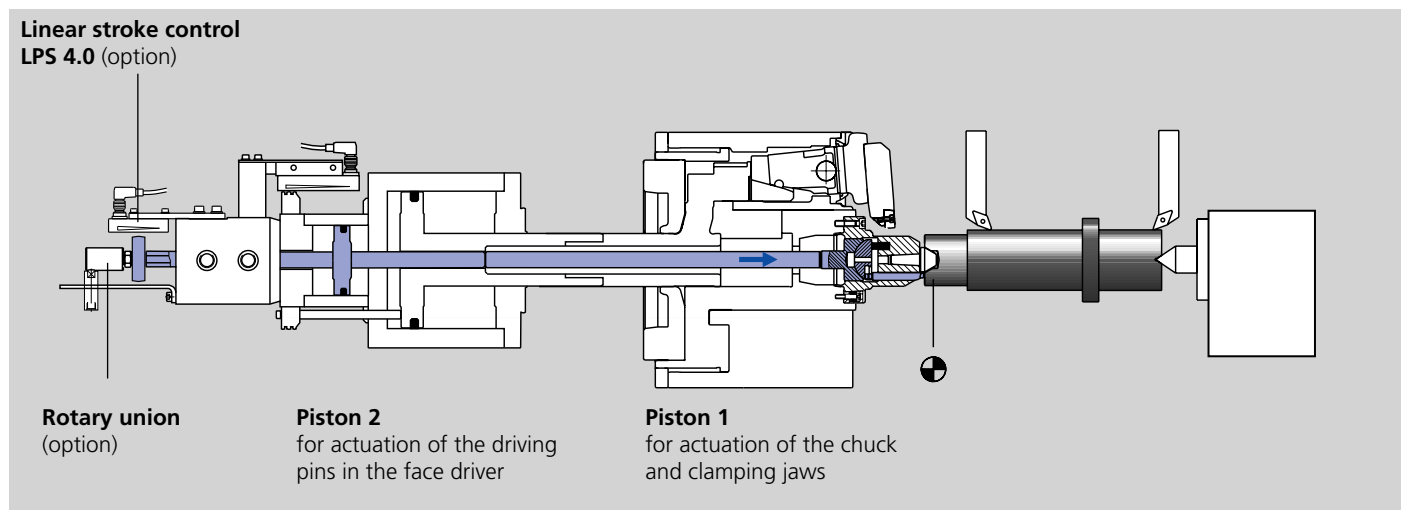
Technical data

SMW-AUTOBLOK Type		ZHVD-SZ 068-17	ZHVD-SZ 110-25	ZHVD-SZ 240-40
Id. No.		044429	044577	045220
Piston stroke	mm	70 / 15	90 / 15	105 / 20
Piston area A / piston force max.	cm ² / kN	68 / 54	110 / 88	241 / 144
Piston area B / piston force max.	cm ² / kN	60 / 48	92 / 73	222 / 133
Piston area C / piston force max.	cm ² / kN	16 / 12	25 / 20	40 / 24
Piston area D / piston force max.	cm ² / kN	14 / 11	21 / 16	36 / 21.6
Speed max.	r.p.m.	5000	4000	4000
Weight	kg	26	37	68
Moment of inertia	kg·m ²	0.065	0.125	0.42
Operating pressure max.	bar	80	80	60
Operating pressure min.	bar	8-10	8-10	8-10
Oil leakage (*)	dm ³ / min	3	3	3

* Total at 30 bar / 50 °C.

Important: On higher pressure the leakage increases proportionally. On higher oil temperature the leakage increases over proportionally (the use of an oil cooler is recommended). When designing / checking the hydraulic unit please ask for our data sheets.

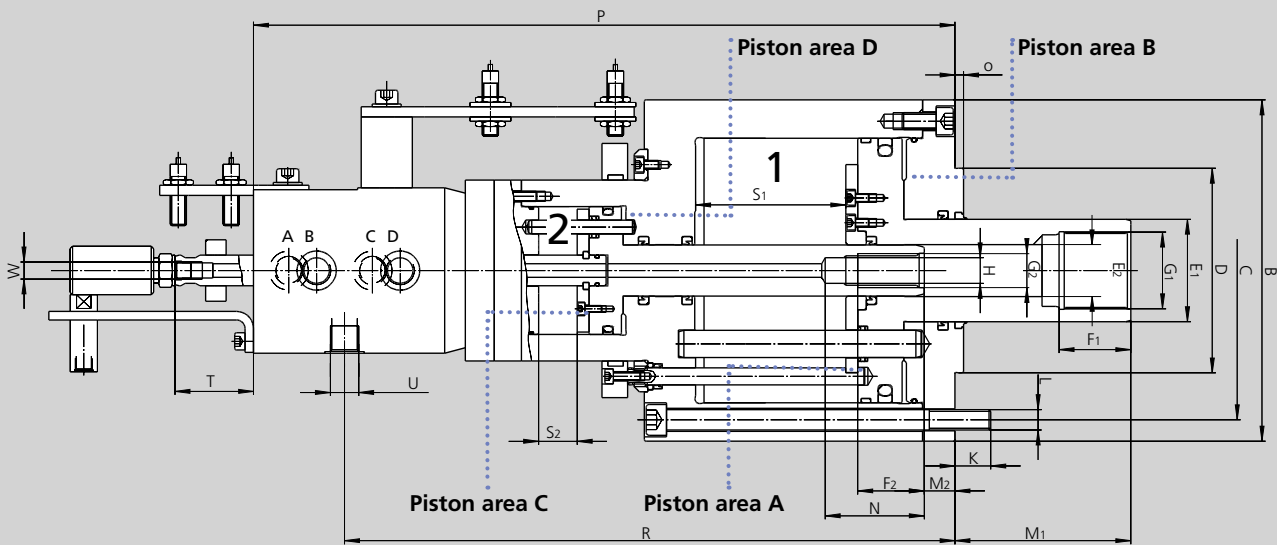
ZHVD-SZ cylinder with retractable jaw chuck and power operated face driver



ZHVD-SZ

Rotating hydraulic cylinder
with 2 independent pistons

- Up to 80 bar
- Central bore for air / coolant / oil
- Stroke control via proximity switch or LPS 4.0



Subject to technical changes.
For more detailed information please ask our customer service.

SMW-AUTOBLOK Type			ZHVD-SZ 068-17	ZHVD-SZ 110-25	ZHVD-SZ 240-40
Id. No.			044429	044577	045220
	B	mm	165	198	230
Fixing bolts circle	C	mm	145	175	205
Centering rim	D h6	mm	105	120	160
	E1	mm	45	60	60
	E2	mm	25	30	30
	F1	mm	33	42	42
	F2	mm	28	41	39
Piston rod thread 1	G1	mm	M36 x 1.5	M45 x 1.5	M50 x 1.5
Piston rod thread 2	G2	mm	M16	M20	M20
	H	mm	13.5	15	15
	K	mm	15	15	21
Fixing bolts / number	L	mm	M10 / 6x	M12 / 6x	M12 / 6x
Max. / min.	M1	mm	82 / 12	105 / 15	106 / 1
Max. / min.	M2	mm	33 / 18	33 / 18	67 / 47
	N	mm	50	58	58
	O	mm	5	5	5
	P	mm	370.5	400	442
	R	mm	305	348	389
Piston stroke cyl. 1	S1	mm	70	90	105
Piston stroke cyl. 2	S2	mm	15	15	20
Max. / min.	T	mm	48 / 33	52 / 37	77 / 57
	U	mm	G3/8"	G3/8"	G3/8"
	W	mm	M10 x 1	M10 x 1	M10 x 1

Option: LPS 4.0 Linear stroke control.
Rotary union for oil / coolant / air.

- Double piston rotating hydraulic cylinder
- Up to 70 bar
- Central bore for air / coolant / oil
- Stroke control via proximity switch or LPS 4.0



Application/customer benefits

- Actuation of 2 + 2 power chucks type TPT with 2 piston actuation
- Actuation of power chuck with part ejector
- Actuation of power chucks with retractable axial stop / finger chucks with power operated centering fixture

Technical features

- Double piston cylinder with 4 way oil manifold for separate actuation of the 2 cylinders
- Pressure range 8 - 70 bar
- Horizontal or vertical installation
- Safety valves on the biggest cylinders and stroke control on each cylinder (piston 1)
- Central bore for air, coolant or oil with thread for rotary union
- Mounting from the rear side with bolts
- A 10 µm filter in pressure line is requested
- Use oil HM32 ISO 3448

Standard equipment

Double piston cylinder with switch ring
Mounting screws
Stroke control on each cylinder
Proximity bracket (without proximity switches)

Ordering example

Double piston cylinder DCE 64-64
or
Double piston cylinder DCE 64-64
with rotary union (optional)

Technical data

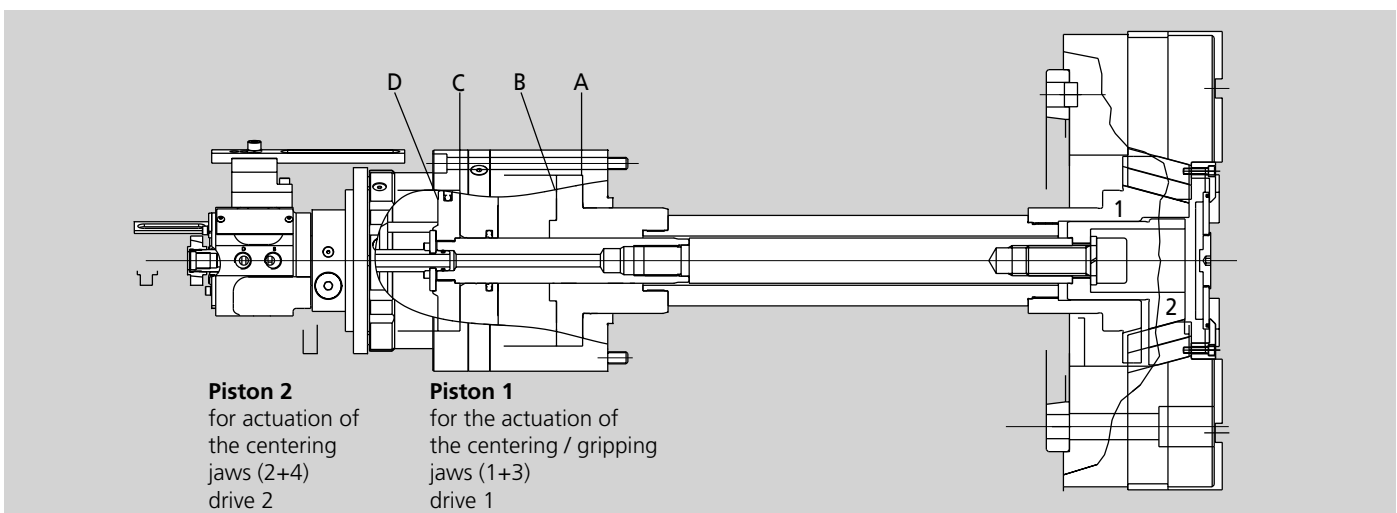
SMW-AUTOBLOK Type		DCE 64-64 / 30-40	DCE 140-140 / 50-50	DCE 240-240 / 60-60
Id. No.		33705212	33705217	33705221
Piston stroke	mm	30-40	50-50	60-60
A Piston area	cm ²	66	140	238
B Piston area	cm ²	63	211	340
C Piston area	cm ²	63	138	238
D Piston area	cm ²	66	150	254
A Piston force max.	kN	46	98	119
B Piston force max.	kN	44	147	170
C Piston force max.	kN	44	97	119
D Piston force max.	kN	46	105	127
Max. speed	r.p.m.	5000	4000	3200
Weight	kg	28.6	42.5	116
Moment of inertia	kg·m ²	0.074	0.18	1
Operating pressure max.	bar	70	70	50
Operating pressure min.	bar	8	8	8
Oil leakage (*)	dm ³ /min	3	3	3

* Total at 30 bar / 50 °C.

Important: On higher pressure the leakage increases proportionally. On higher oil temperature the leakage increases over proportionally (the use of an oil cooler is recommended).

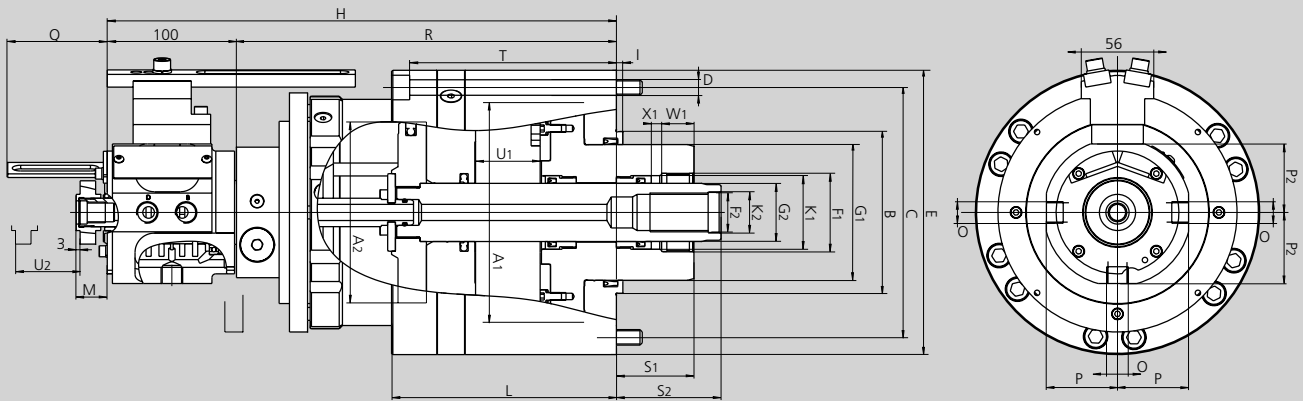
When designing / checking the hydraulic unit please ask for our data sheets.

Cylinder DCE for 2 + 2 chucks type TPT



- Double piston rotating hydraulic cylinder
- Up to 70 bar
- Central bore for air / coolant / oil
- Stroke control via proximity switch or LPS 4.0

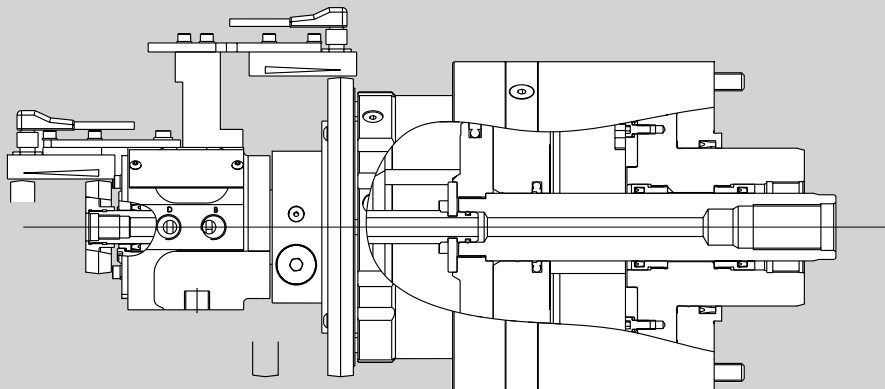
Equal piston area and stroke
2 independent pistons



Subject to technical changes.
For more detailed information please ask our customer service.

SMW-AUTOBLOK Type			DCE 64-64 / 30-40	DCE 140-140 / 50-50	DCE 240-240 / 60-60
Piston diameter 1	A1	mm	125	170	215
Piston diameter 2	A2	mm	95	140	183
Centering rim	B h6	mm	105	125	160
Fixing bolt circle	C	mm	145	195	250
Fixing bolts	D	mm	6 x M10	6 x M12	6 x M16
	E	mm	174	220	280
Piston rod thread 1	F1	mm	M45 x 1.5	M60 x 1.5	M75 x 2
Piston rod thread 2	F2	mm	M20 x 1.5	M30	M36
	G1	mm	85	105	125
	G2	mm	30	45	55
	H	mm	362	394	451
	I	mm	5	5	5
	K1	mm	42	57	70
	K2	mm	20.5	31	37
	L	mm	164	174	213
Max.	M	mm	31	24	28
	O	inch	G 3/8"	G 3/8"	G 1/2"
	P	mm	55	55	62
	P1	mm	55	55	63
	P2	mm	53	53	63
	Q	mm	77	77	97
	R	mm	262	294	326
Min.	S1	mm	40	60	70
Min.	S2	mm	76	81	110
	T	mm	151	160	197
Piston stroke cyl. 1	U1	mm	30	50	60
Piston stroke cyl. 2	U2	mm	40	50	60
	W1	mm	25	25	35
	W2	mm	30	45	50
	X1	mm	10	8	9
	X2	mm	10	10	10

DCE cylinder with optional LPS 4.0 linear stroke control



- Up to 7 bar
- Stroke control
- Safety valve (optional)



Application/customer benefits

- Actuation of power chucks and special automatic clamping equipments
- Use on machines not equipped with hydraulic power unit

Technical features

- Operating pressure 1 - 7 bar
- Horizontal or vertical installation
- Air-manifold mounted on precision bearings
- Stroke control via proximity switch
- Double safety valve (option)
- CSN 100 and CSN 150 = mounting from the rear side
- CSN 200 and CSN 250 = mounting from the front side
- An air service unit with dryer, filter and oiler is needed

Standard equipment

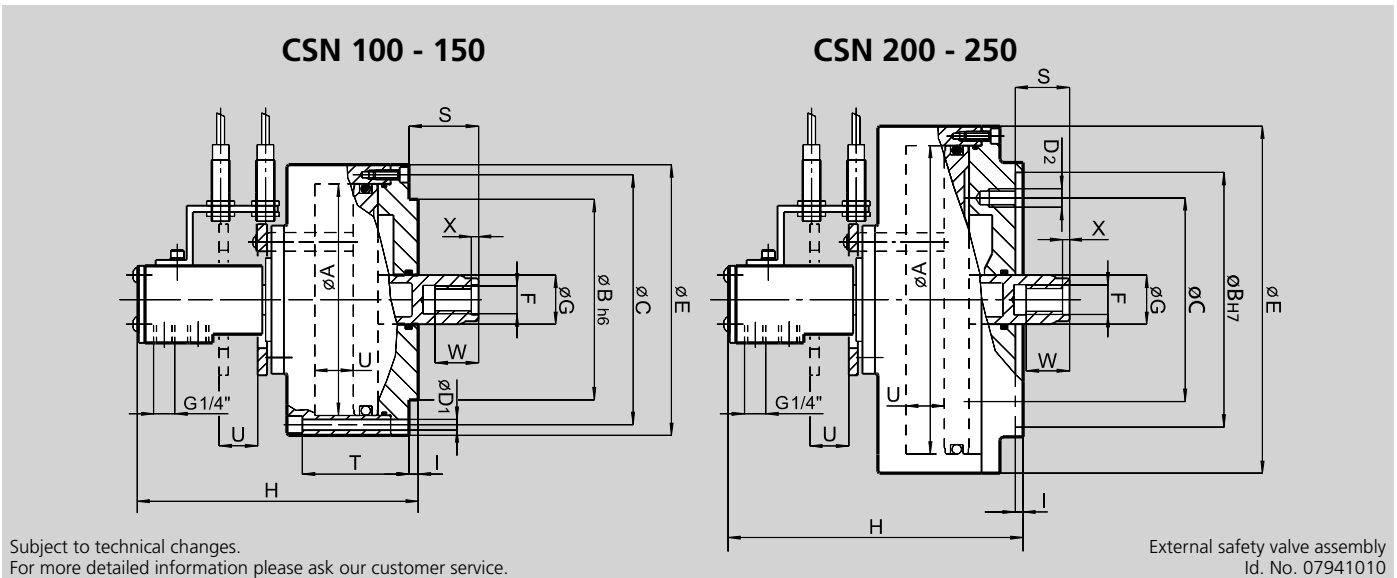
Closed center pneumatic cylinder
with stroke control and proximity switch
support (without proximity switches)

Ordering example

Cylinder type CSN 100 Id. No. 33072110
or
Cylinder type CSN 150 Id. No. 33072115
with safety valve (optional)

Technical data

SMW-AUTOBLOK Type		CSN 100	CSN 150	CSN 200	CSN 250
Id. No.		33072110	33072115	33072120	33072124
Piston area	cm ²	71	176	306	482
Max. pressure	bar	7	7	7	7
Traction at 6 bar	kN	4.3	10	18	29
Max. speed	r.p.m.	4500	4500	4500	4500
Weight	kg	5	8	11	16
Moment of inertia	kg·m ²	0.01	0.03	0.06	0.18



SMW-AUTOBLOK Type			CSN 100	CSN 150	CSN 200	CSN 250
Piston diameter	A	mm	100	150	200	250
Fixing bolts circle	B	mm	80	130	165	165
Fixing bolts diameter	C	mm	112	162	132	132
Threaded fixing holes	D1	mm	6 x Ø7	6 x Ø7	-	-
	D2	mm	-	-	3 x M12	6 x M12
	E	mm	125	175	225	275
	F	mm	M16	M16	M18	M18
	G	mm	30	30	32	32
	H	mm	171	171	190	190
	I	mm	5	5	5	5
Max.	S	mm	35	35	35	35
	T	mm	60	60	-	-
Piston stroke	U	mm	20	20	25	25
	W	mm	20	20	30	30
	X	mm	4	4	5	5

■ For SMW-AUTOBLOK hydraulic clamping cylinders



IO-Link

Application/customer benefits

- High precise inductive linear position measuring system
- Ready for Industry 4.0

Technical features

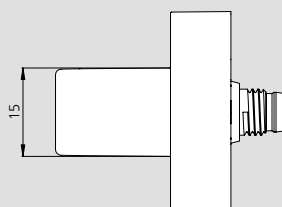
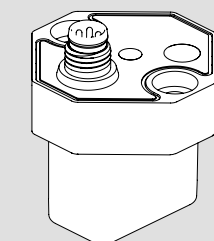
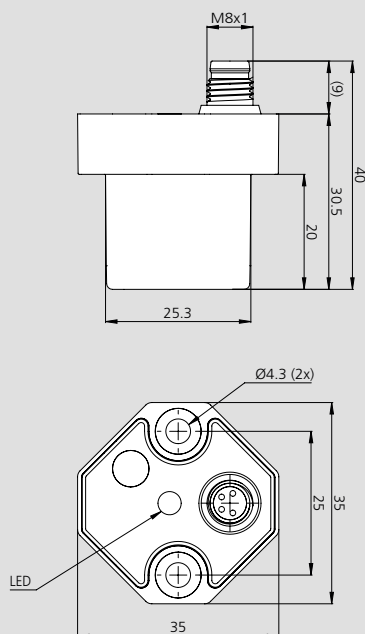
- Inductive measuring system
- No interference from magnetic fields
- Measuring range = 14 mm
- Compact design / simple installation
- Analog output 0 - 10V (Id. No. 208106)
- IO-Link standard interface
- Protection class IP 67

Standard equipment

LPS 4.0 14 IO without cable

Ordering example

LPS 4.0 14 IO 0 - 10V
Id. No. 208106
Cable with elbow plug 5 m
Id. No. 208241



Pin Assignment Plug M8 x 1

Pin	Description
1	24V DC
2	Signal output 0 - 10V
3	GND
4	C/Q (IO-Link)



Technical data

SMW-AUTOBLOK Type	LPS 4.0 14 IO 0 - 10V
Id. No.	208106
Measuring range	14 mm
Output signal	0 - 10V
Power supply	24V DC
Repeat accuracy	± 0.05 mm
Linearity	± 0.20 mm
Temperature drift	0.25 mm
Operating temperature	10 - 60°
Protection class	IP 67
Interface	IO-Link 1.0
MTTF _a	490 a
Mission time (T _M)	20 a
Diagnostic Coverage (DC)	0%

Cables for LPS 4.0 14 IO*	Length	Id. No.
Sensor connection cable straight plug M8 x 1 5-pin	5 m	208238
	10 m	208239
	15 m	208240
Sensor connection cable elbow plug M8 x 1 5-pin	5 m	208241
	10 m	208242
	15 m	208243



* Shielded PUR cable, 1 side cable end, 1 side with socket M8 x 1, machined and gold-plated contacts.

LPS 4.0 48 IO

Linear Position Sensor
Measuring range 48 mm

Linear Position Sensor

■ For SMW-AUTOBLOK hydraulic clamping cylinders



Application/customer benefits

- Monitoring of the entire cylinder stroke / safe controlling of any clamping position
- No repositioning of prox. switches when changing workpiece
- Ready for Industry 4.0

Technical features

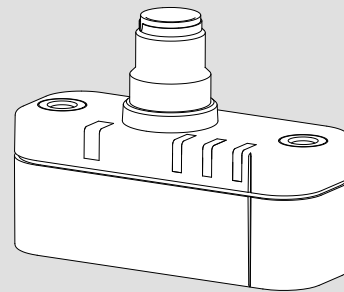
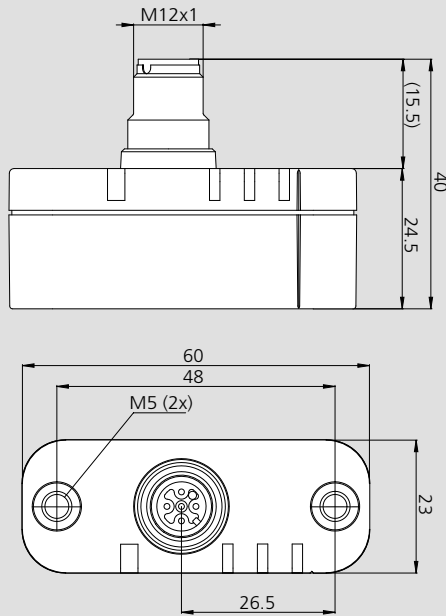
- Inductive measuring principle
- No interference from magnetic fields
- Measuring range = 48 mm
- Compact design / simple installation
- Analog output 0 - 10 V (Id. No. 208108) / 4 - 20 mA (Id. No. 208107)
- IO Link standard interface
- Protection class IP 67
- LEDs for operating status

Standard equipment

LPS 4.0 48 IO without cable

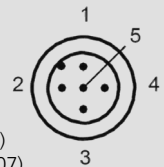
Ordering example

LPS 4.0 48 IO 0 - 10 V
Id. No. 208108
Cable with elbow plug 5 m
Id. No. 208247



Pin Assignment Plug M12 x 1

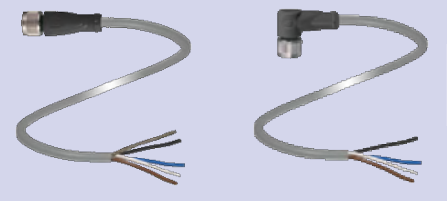
Pin	Description
1	24V DC
2	not used
3	GND
4	C/Q (data)
5	Signal output 0 - 10 V (Id. No. 208108) Signal output 4 - 20 mA (Id. No. 208107)



Technical data

SMW-AUTOBLOK Type	LPS 4.0 48 IO 0 - 10 V	LPS 4.0 48 IO 4 - 20 mA
Id. No.	208108	208107
Measuring range	48 mm	48 mm
Signal	0 - 10 V	4 - 20 mA
Supply	24 V DC	24 V DC
Repeat accuracy	± 0.1 mm	± 0.1 mm
Linearity	± 0.2 mm	± 0.2 mm
Temperature drift	0.25 mm	0.25 mm
Operating temperature	0 - 70°	0 - 70°
Protection class	IP 67	IP 67
Interface	IO Link 1.1	IO Link 1.1

Cables for LPS 4.0 48 IO*	Length	Id. No.
Sensor connection cable straight plug M 12 x 1 5-pin	5 m	208244
	10 m	208245
	15 m	208246
Sensor connection cable elbow plug M 12 x 1 5-pin	5 m	208247
	10 m	208248
	15 m	208249



* Shielded PUR cable, 1 side cable end, 1 side with socket M12 x 1, machined and gold-plated contacts.

■ For SMW-AUTOBLOK hydraulic clamping cylinders

Linear Position Sensor
Measuring range 120 mm



Application/customer benefits

- High precise inductive linear position measuring system
- Ready for Industry 4.0

Technical features

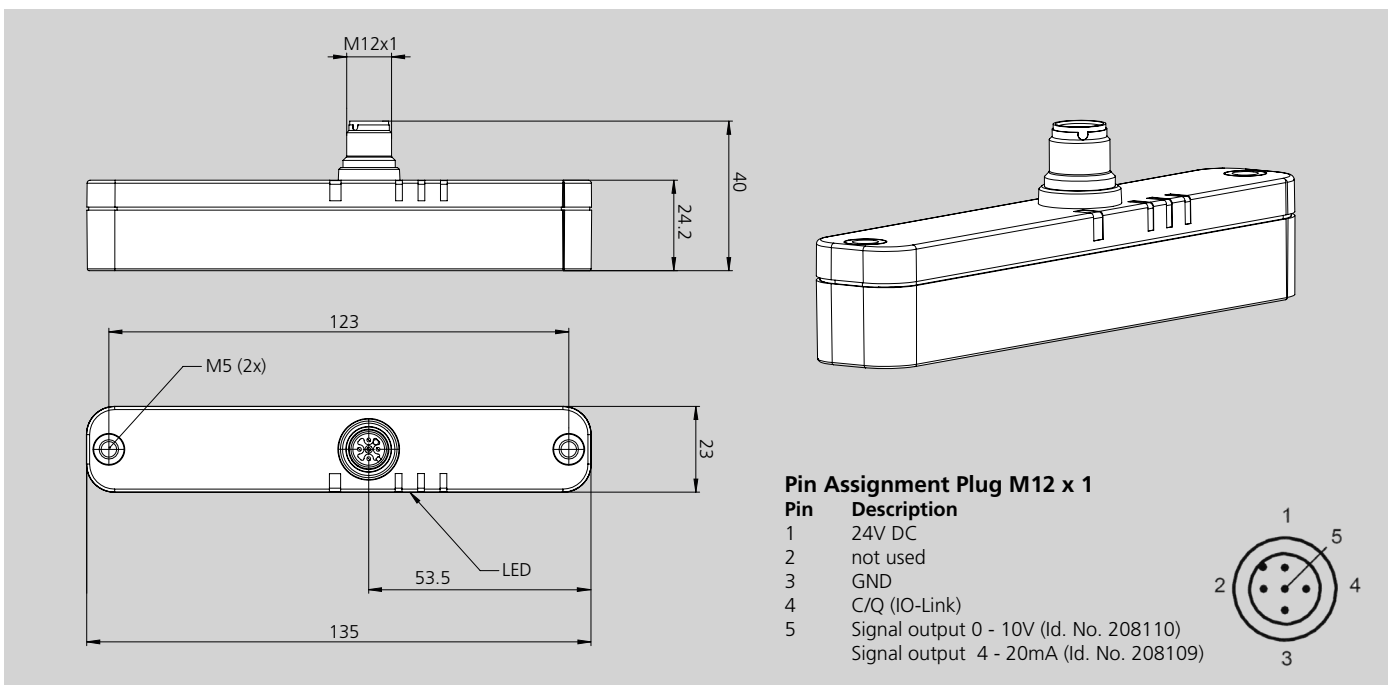
- Inductive measuring system
- No interference from magnetic fields
- Measuring range = 120 mm
- Compact design / simple installation
- Analog output 0 - 10V (Id. No. 208110) / 4 - 20mA (Id. No. 208109)
- IO Link standard interface
- Protection class IP 67
- LEDs for operating status

Standard equipment

LPS 4.0 120 IO without cable

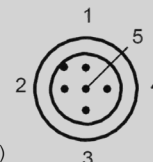
Ordering example

LPS 4.0 120 IO 0 - 10V
Id. No. 208110
Cable with elbow plug 5 m
Id. No. 208247



Pin Assignment Plug M12 x 1

Pin	Description
1	24V DC
2	not used
3	GND
4	C/Q (IO-Link)
5	Signal output 0 - 10V (Id. No. 208110) Signal output 4 - 20mA (Id. No. 208109)



Technical data

SMW-AUTOBLOK Type	LPS 4.0 120 IO 0 - 10V	LPS 4.0 120 IO 4 - 20mA
Id. No.	208110	208109
Measuring range	120 mm	120 mm
Output signal	0 - 10V	4 - 20mA
Power supply	24V DC	24V DC
Repeat accuracy	± 0.1 mm	± 0.1 mm
Linearity	± 0.2 mm	± 0.2 mm
Temperature drift	0.25 mm	0.25 mm
Operating temperature	0 - 70°	0 - 70°
Protection class	IP 67	IP 67
Interface	IO-Link 1.1	IO-Link 1.1
MTTF _a	271 a	271 a
Mission time (T _M)	20 a	20 a
Diagnostic Coverage (DC)	0%	0%

Cables for LPS 4.0 120 IO*	Length	Id. No.
Sensor connection cable straight plug M12 x 1 5-pin	5 m	208244
	10 m	208245
	15 m	208246
Sensor connection cable elbow plug M12 x 1 5-pin	5 m	208247
	10 m	208248
	15 m	208249



* Shielded PUR cable, 1 side cable end, 1 side with socket M12 x 1, machined and gold-plated contacts.



Application/customer benefits

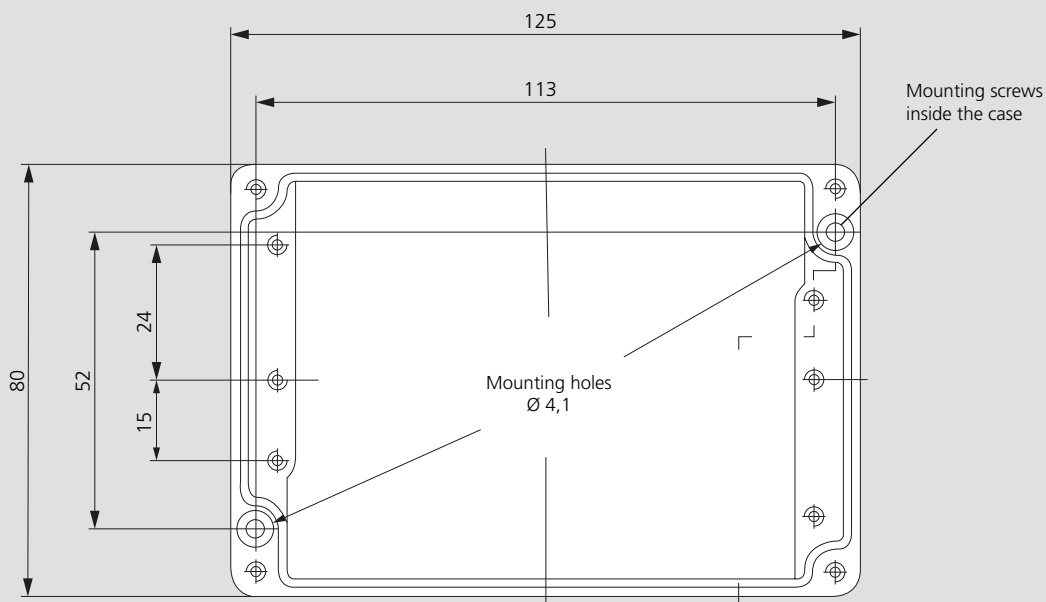
- Binary output signal 10 bit
- Suitable to LPS 4.0 series
- Binary signal backward compatible to LPS-X, LPS-NT, LPS-XS
- Easy set up - Plug & Play

Technical features

- Dimensions 125 x 80 x 50 mm
- Protection class IP 64
- Operating temperature 0 - 70°C
- Resolution: 0-50 mm 0,05 mm = 1 Digit
> 50 mm 0,10 mm = 1 Digit
- Connections: Socket 16-pin Zylind R,
style A, code N
Connection cable for LPS 4.0
3m with M12 x 1 plug
- Weight: 700 g

Standard equipment

Binary Interface Box



Case Binary interface box

Technical data

SMW-AUTOBLOK Type

Binary Interface Box for LPS 4.0

Id. No.

209013

Rotary union for 1 medium

RU-1-10 RU-1-16

- For closed and open center cylinders
- Media: air, oil or coolant



Application/customer benefits

- Rotary union for media supply for rotating cylinders

Technical features

RU-1-10: Medium: oil / coolant (**can not** rotate dry) through-hole approx. \varnothing 3 mm

RU-1-16: Medium: air / oil / coolant (**can** rotate dry, non-pressurised) through-hole approx. \varnothing 4.5 mm
Max. flow rate 30 l / min.

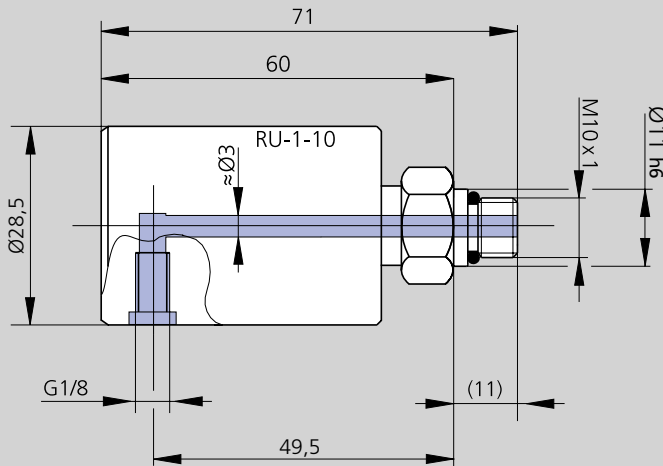
Note: Media must be free of contamination.
Filter 25 μ m requested

Standard equipment

RU-1-10 Id. No. 014604

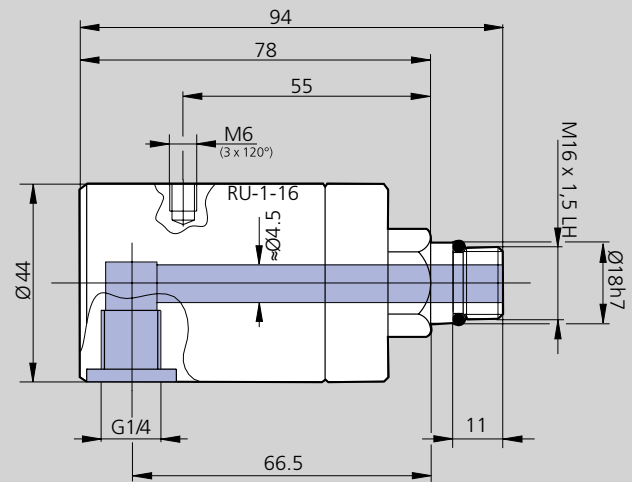
RU-1-16 Id. No. 043271

RU-1-10



Subject to technical changes.
For more detailed information please ask our customer service.

RU-1-16



Subject to technical changes.
For more detailed information please ask our customer service.

Technical data

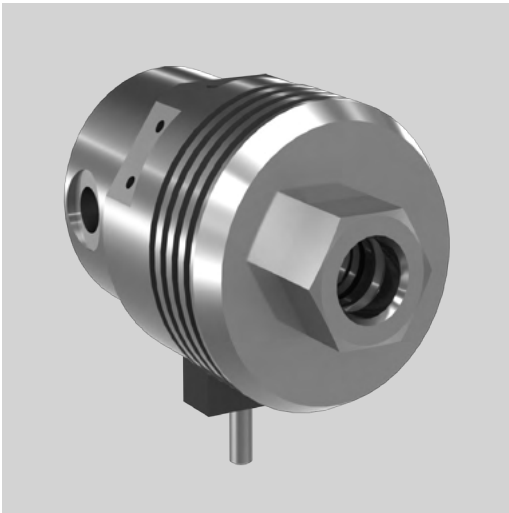
SMW-AUTOBLOK Type	Id. No.	max. speed r.p.m.	max. pressure bar	Weight kg	Filter requested μ m
RU-1-10	014604	7500	15	0.15	25
RU-1-16	043271	7000	30	0.40	25

Attention: Limitation when using max. r.p.m. and max. operating pressure. In case of need, please ask for a additional diagram.

RU-2-22

Rotary union for 2 media

- For closed or open center cylinders (not for ZHVD-DFR)
- Media: Air + oil / air + coolant



Application/customer benefits

- Rotary union for media supply for rotating cylinders
- Universal for air + oil / air + coolant
- Can also rotate dry (non-pressurised)

Technical features

- Rotary union for 2 media
- Port A for air, oil and coolant, Port B for air

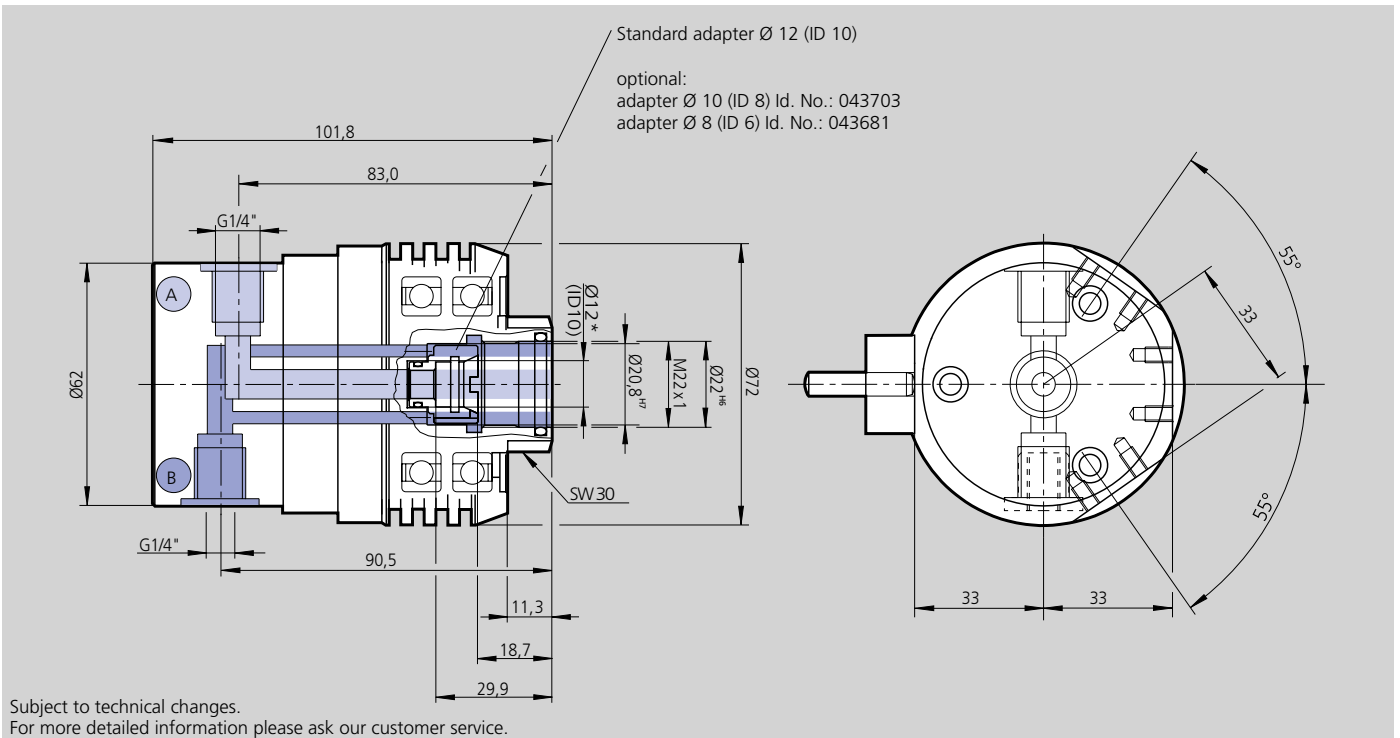
Note: The medium must be free of contamination
Filter 25 µm requested

Standard equipment

Rotary union RU-2-22
Anti rotation pin-blok
Adapter for tube Ø 12 mm (ID =10mm)

Option:

Adapter for tube Ø 10 mm (ID = 8 mm) Id. No. 043703
Adapter for tube Ø 8 mm (ID = 6 mm) Id. No. 043681



Technical data

SMW-AUTOBLOK Type	Id. No.	Max. speed r.p.m	Operating pressure connection A Media: air, oil, cooling lubricant		Operating pressure connection B Media: air only		Mass kg	Filter required µm
			bar	psi	bar	psi		
RU-2-22	044970	4000	40	580	10	145	0.94	25
		4500	35	507.5	10	145		
		5000	30	435	10	145		
		5500	25	362.5	10	145		
		6500	20	290	10	145		

Pneumatic / hydraulic front-end chucks

Control units



SP® + SP-ES + SP-L

INCH
SERRATION

Front-end pneumatic power chucks
EXTRA large through-hole Ø 26 - 115 mm

- 3 jaws, chuck size 125 - 350
- **SP-ES:** Chuck with rapid and clamping stroke
- **SP-L:** Chuck with long jaw stroke

Page 344



BIG BORE® BB-N

INCH
SERRATION

Front-end pneumatic power chucks
EXTRA large through-hole Ø 140 - 410 mm

- Standard jaw stroke
- 3 jaws, chuck size 400 - 800

Page 348



BIG BORE® BB-N ES

INCH
SERRATION

Front-end pneumatic power chucks
EXTRA large through-hole Ø 140 - 560 mm

- With rapid and clamping stroke
- 3 jaws, chuck size 400 - 1000

Page 352



BIG BORE® BB-SC

INCH
SERRATION

Front-end spring clamp power chucks
Air opening
EXTRA large through-hole Ø 275 - 565 mm

- With rapid and clamping stroke
- 3 jaws, chuck size 600 - 1020
- **proofline® chucks** = fully sealed - low maintenance

Page 356



BIG BORE® BB-EXL2G

INCH
SERRATION

Front-end pneumatic power chucks
EXTRA large through-hole Ø 191 - 390 mm

- EXTRA large rapid and clamping stroke
- 3 jaws, chuck size 510 - 900
- Sealed master jaws

Page 360



BIG BORE® BB-AZ2G

INCH
SERRATION

Front-end pneumatic power chucks
EXTRA large through-hole Ø 275 - 560 mm

- EXTRA large rapid and clamping stroke
- Self centering or compensating clamping
- 3 jaws, chuck size 685 - 1000

Page 364



BIG BORE® BB-FZA2G

INCH
SERRATION

Front-end pneumatic sequence chucks
EXTRA large through-hole Ø 275 - 390 mm

- EXTRA large jaw stroke
- 3 integrated centering jaws and 3 compensating jaws
- Chuck size 740 - 920

Page 366



BIG BORE® BB-EXL-SC2G

INCH
SERRATION

Front-end spring clamp power chucks
EXTRA large through-hole Ø 191 - 390 mm

- EXTRA large rapid and clamping stroke
- Clamping with spring
- 3 jaws, chuck size 510 - 900
- **proofline® chucks** = fully sealed - low maintenance

Page 368



CC

INCH
SERRATION

Stationary centering and dampening chuck
Ø 240 - 470 mm

- Integrated dampener
- 3 jaws

Page 370



AC-BB

1/2" Design
3/4" Design

Electronic safety control unit
for pneumatic chucks

- Basic version

Page 372



AC-XN

1/2" Design
3/4" Design

Electronic safety control unit
for pneumatic chucks

- All safety features included
- For all common voltages

Page 374



SF-RZ

2 Position hydraulic ring indexing chuck
Ø 400 mm

- 3 self centering jaws
- Large evacuation windows for easy chip flow
- Fully automatic and controlled indexing
- **proofline® chucks** = fully sealed - low maintenance

Page 376



SF-RAZ

TONGUE & GROOVE

2 Position hydraulic ring indexing chuck
Ø 750 - 1050 mm

- 6 jaws (3 self centering and 3 compensating jaws)
- Large evacuation windows for easy chip flow
- Fully automatic and controlled indexing

Page 378



SF-RAZ2G

TONGUE & GROOVE

2 Position hydraulic ring indexing chuck
Ø 710 - 1100 mm

- 6 jaws (3 self centering and 3 compensating jaws)
- Very compact design
- Fully automatic and controlled indexing
- Hydraulic actuation

Page 380



HYND-S

INCH
SERRATION

Power chucks with built-in hydraulic cylinder
Ø 180 - 400 mm

- Hydraulic oil supplied through the machine spindle wall
- 3 or 4 jaws

Page 382



HYDL-S

LONG STROKE
INCH SERRATION

Power chucks with built-in hydraulic cylinder
Ø 500 - 800 mm

- Hydraulic oil supplied through the machine spindle wall
- 3 jaws

Page 383

SP® + SP-ES + SP-L

INCH
SERRATION

Front-end pneumatic power chuck Ø 26 - 115 mm

- EXTRA large through-hole
- 3 jaws, chuck size 125 - 350
- SP-ES: Chuck with rapid and clamping stroke
- SP-L: Chuck with long jaw stroke



Application/customer benefits

- Universally used in turning machines, rotary tables, handling equipment, welding etc.
- For machines without hydraulic cylinder
- Easy exchange for manual chucks

Technical features

- Power chuck with built-in pneumatic cylinder. Force transmission via wedge hook
- Mounting of the distributor ring on the headstock or with the centering ring on the chuck with anti-rotation bracket
- Open and close only at stopped spindle. Air transmission via distributor ring and SMW-profile seals (monitoring by SMW control cabinet)
- Easy installation with no additional adapters required

Standard equipment

- 3-jaw chuck
- 1 set T-nuts with bolts
- 1 set soft top jaws
- 2 elbow unions G1/4" (G1/8" on SP 125)
- Spacer ring and centering ring, without distributor ring bracket / anti-rotation bracket

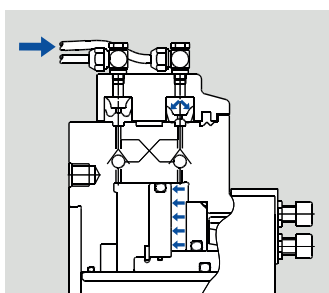
Ordering example

3-jaw chuck SP 160 / Z155

Accessories

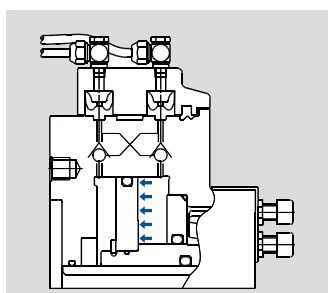
Control units
(see general catalog pages 372-375)

The principle invented by SMW: Air supply via distributor ring and SMW-profile seal rings



Picture 1

Open / close movement (only possible at stopped spindle). The profile seals deform radially under the pneumatic pressure, sealing on the chuck body and filling the cylinder chamber. When the clamping pressure is reached, the air feed is stopped, closing the twin non-return valve.

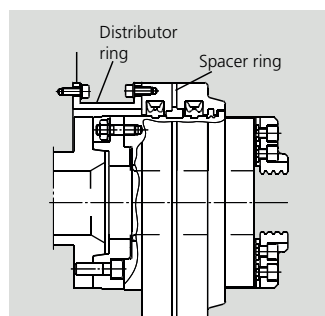


Picture 2

The SMW-profile seals lift to the expanded position, not touching the chuck body anymore. The clamping pressure is maintained by the twin non-return valve. The chuck can start to rotate.

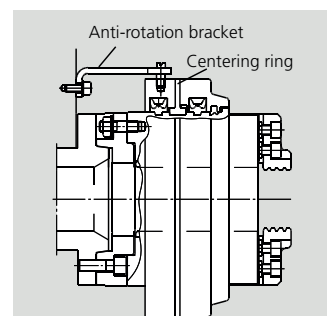
Two ways of mounting the distributor ring:

- Spacer ring and distributor ring bracket
- Centering ring and anti rotation bracket



Picture 3

Distributor ring bracket fixed (stationary) on the headstock to support the distributor ring mounted with the spacer ring. No contact between the static distributor ring and the rotating chuck.



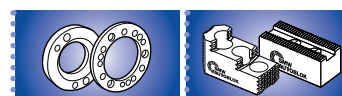
Picture 4

Distributor ring mounted on the outer diameter of the chuck with the centering ring (teflon part subject to wear). Need of an anti-rotation bracket fixed to the machine headstock.

Technical data

SMW-AUTOBLOK Type		SP 125-26	SP 160-38	SP 240-78	SP 280-92	SP 350-115	SP 350-115 ES	SP-L 350-90
Id. No.		012044	012045	053170	052778	012588	052850	053193
Stroke per jaw	mm (inch)	3 (0.12")	4.2 (0.17")	4.2 (0.17")	5 (0.20")	5 (0.20")	10+5* (0.39"+0.20")	24 (0.94")
Operating pressure min. / max.	bar (psi)	2 / 10 (29 / 145)	2 / 10 (29 / 145)	2 / 10 (29 / 145)	2 / 10 (29 / 145)	2 / 10 (29 / 145)	2 / 10 (29 / 145)	2 / 10 (29 / 145)
Piston area max.	cm ²	129	206	290	535	486	486	486
Gripping force at 6 bar (87 psi)	kN (lbf)	20 (4496)	35 (7868)	60 (13489)	95 (21357)	88 (19783)	88 (19783)	31 (6969)
Max. speed (distribution ring with centering ring)	r.p.m.	4000	3500	2800	2200	2200	2200	1000
Max. speed (distribution ring fixed stationary)	r.p.m.	4200	4200	3500	3200	3000	3000	1000
Air consumption/jaw stroke at 6 bar	liter	1.4	3.4	5.2	10.0	9.4	13.5	13.5
Weight (without jaws)	kg (lbs)	11 (24)	23 (51)	40 (88)	62 ()	78 (137)	91 (201)	97 (214)
Moment of inertia	kg·m ²	0.028	0.125	0.412	0.823	1.125	1.62	1.62

* 10 mm (0.39") extended stroke (must not be used for clamping) + 5 mm (0.20") clamping stroke.



SMW-AUTOBLOK
347

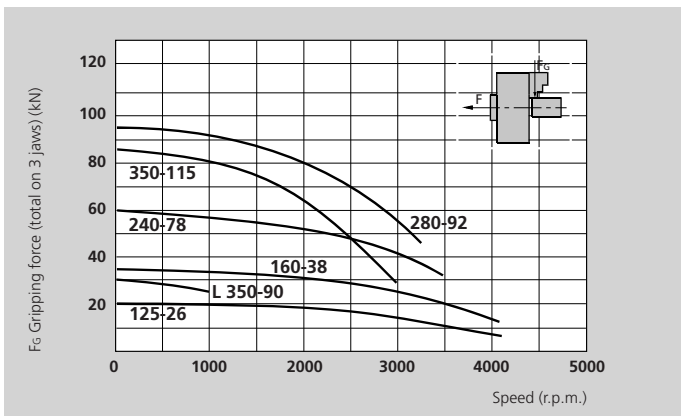
SMW-AUTOBLOK
346

Front-end pneumatic power chuck Ø 26 - 115 mm

- EXTRA large through-hole
- 3 jaws, chuck size 125 - 350
- SP-ES: Chuck with rapid and clamping stroke
- SP-L: Chuck with long jaw stroke

SP[®]+ SP-ES + SP-L

INCH
SERRATION



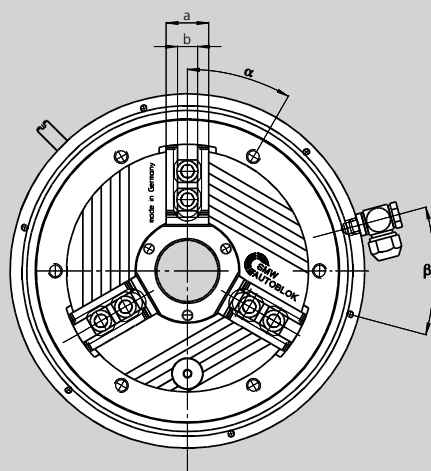
Actual gripping force diagram

The data in the diagram refer to 3-jaw chucks, newly maintained according to their service manuals, using SMW-AUTOBLOK K05 grease, operated at 6 bar (87 psi). The speeds refer to a static bracket. The static and dynamic gripping forces have been measured using MHB hard top jaws placed in a position, not exceeding the outer diameter of the chuck.

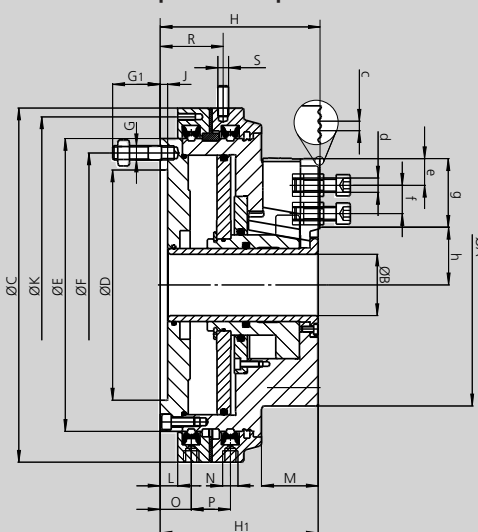
△ Safety advice / danger of damage:

When using taller / heavier jaws and / or clamping on a bigger diameter reduce draw pull / rotating speed accordingly.

* All hoses must be min. Ø 9 mm I.D.



Jaw position: Open for external clamping



Subject to technical changes.

For more detailed information please ask our customer service.

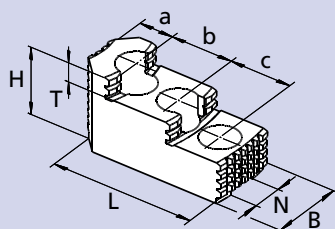
SMW-AUTOBLOK Type			SP 125-26	SP 160-38	SP 240-78	SP 280-92	SP 350-115	SP 350-115 ES	SP-L 350-90
Mounting			Z120	Z155	Z195	Z235	Z235	Z235	Z235
	A	mm	136	171	240	284	350	360	360
	B	mm	26	38	78	92	115	115	90
	C	mm	204	255	300	372	372	372 / 380	372 / 380
	D H6	mm	120	155	195	235	235	235	235
	E	mm	160	205	248	315	315	315	315
Fixing bolts circle (6 x 60°)	F	mm	137	180	223.8	290.5	290.5	290.5	290.5
Stud screw with nut	G	mm	M8	M12	M12	M12	M12	M12	M12
	G1	mm	30	40	40	39	39	39	39
	H	mm	103	131	135.5	157.5	157.5	191.5	191.5
	H1	mm	101.5	129.5	134	156	156	190	190
	J	mm	6.5	6.5	6.5	6.5	6.5	6.5	6.5
Fixing bolts circle 6 x 60° / M6	K	mm	190	242	285	358	358	358	358
	L	mm	10	14.5	15	21	21	21	21
	M	mm	35	46	48	58	62	92	92
Pneumatic connection	N	inch	G 1/8"	G 1/4"	G 1/4"	G 1/4"	G 1/4"	G 1/4"	G 1/4"
	O	mm	19	26	26.5	33	33	33	33
	P	mm	29	33	33	33	33	33	33
	R	mm	43	52	52	60	60	60	60
Anti-rotation pin	S	mm	8	12	12	12	12	12	12
	a	mm	24	30	36	44	44	44	44
	b	mm	12	14	17	21	21	21	21
Serration	c	inch	1/16" x 90°	1/16" x 90°	1/16" x 90°	1/16" x 90°	1/16" x 90°	1/16" x 90°	1/16" x 90°
Bolt ISO 4762 12.9	d	mm	M8 x 30	M10 x 35	M12 x 35	M16 x 35	M16 x 35	M16 x 35	M16 x 35
Min.	e	mm	6	8	9.5	12	12	12	12
T-nuts distance min. / max.	f	mm	17 / 25	21 / 31	22 / 41.5	25 / 51	25 / 72	25 / 72	25 / 72
Serration length	g	mm	40	50	59	75	93	92	95
Min. / max.	h	mm	25 / 28	34.9 / 39	57.7 / 61.9	70 / 65	79 / 84	85 / 100	85 / 109
	α	deg.	0°	0°	30°	0°	0°	0°	0°
	β	deg.	30°	30°	30°	45°	45°	45°	45°

SP®+ SP-ES + SP-L

INCH
SERRATION

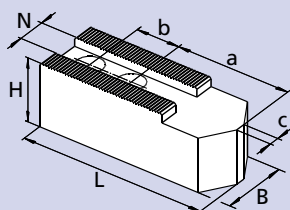
■ Top jaws
■ T-nuts

MHB-D Hard reversible top jaws



Chuck	SP 125-26	SP 160-38	SP 240-78	SP 280-92	SP 350-115 (+ES+L)
Jaw type	MHB-D 130	MHB-D 160	MHB-D 200	MHB-D 251	MHB-D 315
Id. No. (set)	12081306	12081636	12082036	12083036	12083186
B	30	34	40	45	45
H	34	39	45	56	56
L	58	65	82	105	122
T	8.5	10	10.5	13.5	13.5
N	12	14	17	21	21
Serration	1/16" x 90°	1/16" x 90°	1/16" x 90°	1/16" x 90°	1/16" x 90°
a	13	18	19	26	43
b	16	16	23	30	30
c	16	16	23	30	30
kg / set	0.6	0.9	1.7	2.85	4.05

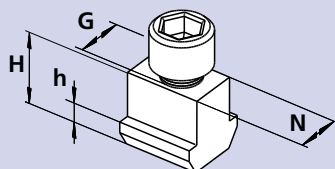
AWB-D Soft top jaws



Chuck	SP 125-26	SP 160-38	SP 240-78	SP 280-92	SP 350-115 (+ES+L)
Jaw type	WBSA-D 125	AWB-D 165	AWB-D 200	AWB-D 250	AWB-D 315
Id. No. (pc.)	12071300*	035954	081616	081618	081619
B	30	40	40	50	50
H	30	40	40	50	50
L	60	80	90	120	140
N	12	14	17	21	21
Serration	1/16" x 90°	1/16" x 90°	1/16" x 90°	1/16" x 90°	1/16" x 90°
a	29	43	53	70	90
b	16	22	22	28	28
kg / set	0.9	2.0	2.7	5.1	6.3

* Jaws are per piece. 3 pieces must be ordered for 1 set.

NST T-nuts



Chuck	SP 125-26	SP 160-38	SP 240-78	SP 280-92	SP 350-115 (+ES+L)
T-nut type	NST 12	NST 14	NST 17-4	NST 21-5	NST 21-5
Id. No. (pc.)	089810	013863	013864	033429	033429
N	12	14	17	21	21
H	21.5	26.5	26.5	30	30
h	7.5	9.5	9.5	11	11
G	M8	M10	M12	M16	M16
Bolt ISO 4762 - 12.9	M8 x 30	M10 x 35	M12 x 35	M16 x 35	M16 x 35
Tighten torque Md max. (Nm)	30	50	70	150	150



JAWS-CATALOG

Request or
download:
www.smw-autoblok.de

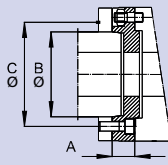
- Spindle adapters
- Grease

INCH
SERRATION

Spindle adapters for SP chucks

ISO-A DIN 55026

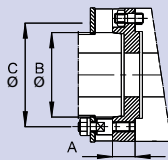
Spindle adapters



Chuck	SP 125-26	SP 160-38			SP 240-78			SP 280-92			SP 350-115 (+ES+L)		
Nose dim.	A5	A5	A6	A5	A6	A8	A6	A8	A11	A6	A8	A11	
Id. No.	017083	017085	017086	017088	080174	017090	017092	017093	017094	017092	017093	017094	
A mm	26.0	25.5	25.5	25.5	32.2	34.0	32.0	32.0	36.0	32.0	32.0	36.0	
B mm	82.57	82.57	106.39	82.57	106.39	139.73	106.39	139.73	196.88	106.39	139.73	196.88	
C mm	104.8	104.8	133.4	104.8	133.4	171.4	133.4	171.4	235.0	133.4	171.4	235.0	

DIN 55027

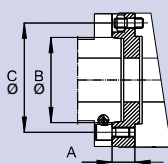
Bayonet spindle adapters type C



Chuck	SP 125-26	SP 160-38		SP 240-78			SP 280-92			SP 350-115 (+ES+L)		
Nose dim.	C5	C5	C6	C5	C6	C8	C6	C8	C11	C6	C8	C11
Id. No.	017056	017058	017059	017061	017062	017063	017065	017066	017067	017065	017066	017067
A mm	21.0	25.5	25	25.5	29.0	32.2	29.0	32.0	36.5	29.0	32.0	36.5
B mm	82.57	82.57	106.39	82.57	106.39	139.3	106.39	139.73	196.88	106.39	139.73	196.88
C mm	104.8	104.8	133.4	104.8	133.4	171.4	133.4	171.4	235.0	133.4	171.4	235.0

DIN 55029

Camlock spindle adapters type S



Chuck	SP 125-26	SP 160-38		SP 240-78			SP 280-92			SP 350-115 (+ES+L)		
Nose dim.	S5	S5	S6	S5	S6	S8	S6	S8	S11	S6	S8	S11
Id. No.	017117	017119	017120	017122	017123	017124	017126	017127	017128	017126	017127	017128
A mm	22.4	26.0	29.0	26.0	29.0	36.0	32.0	37.0	42.0	32.0	37.0	42.0
B mm	82.57	82.57	106.39	82.57	106.39	139.3	106.39	139.73	196.88	106.39	139.73	196.88
C mm	104.8	104.8	133.4	104.8	133.4	171.4	133.4	171.4	235.0	133.4	171.4	235.0

Important for maintenance and safe operation, to be ordered with the chuck

Grease K05[®]

Special grease for manual and power chucks



Cartridge 14 Oz. (DIN 1284)
Grease content 500 g
Id. No. 016440

Can 1000 g
Id. No. 011881



- High adhesion
- High resistance against coolant
- High load bearing capacity
- Low friction coefficient
- Avoids tribocorrosion

Grease gun

Grease gun (DIN 1283) for cartridges 14 Oz. (DIN 1284).



Lubrication set Id. No. 083726

Supply range

- Grease gun
- 1 Adapter flexible for high pressure grease nipple
- 1 Adapter for cone grease nipple

BIG BORE® BB-N

INCH
SERRATION

Front-end pneumatic power chuck EXTRA large through-hole Ø 140 - 410 mm

- Chuck size 400 - 800
- Standard jaw stroke
- 3 jaws



Application/customer benefits

- End machining of long pipes
- Full spindle bore can be used

Technical features

- Air chuck for external / internal clamping with built-in pneumatic cylinder
- Air feed via distributor ring and SMW-profile seals, at stopped spindle
- Built-in non-return valves maintain the air pressure during machining
- Clamping pressure level constantly checked by a safety control system
- Jaw stroke control for O.D. and I.D. gripping (not BB-N 400-140)

Standard equipment

- 3-jaw chuck
- 2 elbow unions G 1/2"
- 12 mounting bolts (9 for the BB-N 400)
- 1 lifting eye bolt
- 1 set T-nuts with bolts
- 1 set soft top jaws without distributor ring bracket

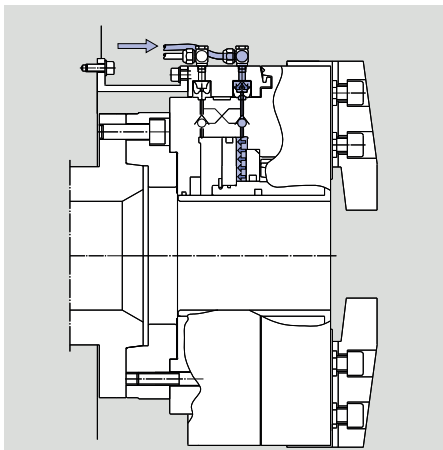
Ordering example

BIG BORE BB-N 470-191 / Z310

Accessories

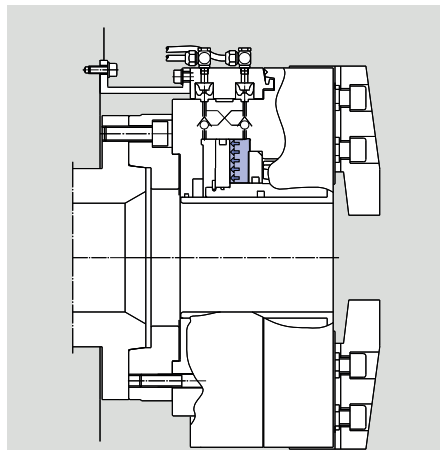
Control unit AC-BB / AC-XN
(see general catalog pages 372-375)

The principle invented by SMW: Air supply via distributor ring and SMW-profile seal rings



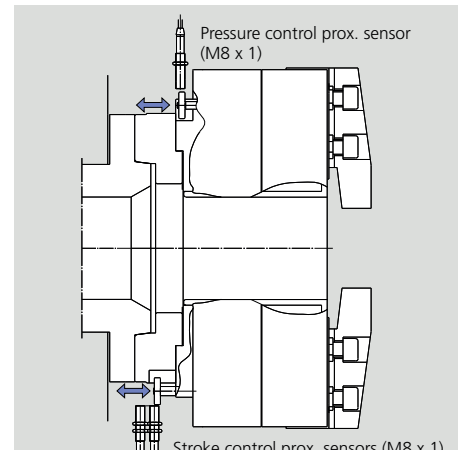
Picture 1

Open / close movement (only possible at stopped spindle). The profile seals deform radially under the pneumatic pressure, sealing on the chuck body and filling the cylinder chamber. When the clamping pressure is reached, the air feed is stopped, closing the twin non-return valve.



Picture 2

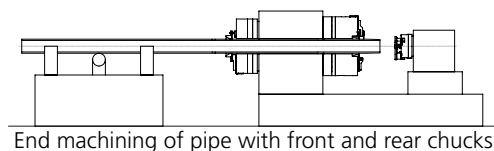
The SMW-profile seals lift to the expanded position, not touching the chuck body anymore. The clamping pressure is maintained by the twin non-return valve. The chuck can start to rotate.



Picture 3

Pressure control: If the pressure is less than a pre-set safety level, the switch ring moves into the proximity switch field, sending an alarm signal.
Jaw stroke control: If the part is clamped in a not correct jaw stroke position, the switch ring moves into the proximity switch field sending an alarm signal.*

* BB-N-400-140 has no stroke control.



End machining of pipe with front and rear chucks

Technical data

SMW-AUTOBLOK Type BB-N		400-140	470-191	500-205	500-230	600-275	630-310	800-410
Id. No.		052300	053535	053830	053832	053834	053836	053838
Through-hole	mm (inch)	140 (5.51")	191 (7.52")	205 (8.07")	230 (9.06")	275 (10.83")	310 (12.20")	410 (16.14")
Stroke per jaw	mm (inch)	7 (0.28")	7 (0.28")	8.5 (0.33")	8.5 (0.33")	8.5 (0.33")	10 (0.39")	12 (0.47")
Operating pressure min. / max.	bar (psi)	2 / 10 (29 / 145)	2 / 10 (29 / 145)	2 / 10 (29 / 145)	2 / 10 (29 / 145)	2 / 10 (29 / 145)	2 / 10 (29 / 145)	2 / 10 (29 / 145)
Piston area	cm ²	710	565	1024	940	990	1270	2064
Gripping force at 6 bar	kN (lbf)	160 (35969)	115 (25853)	210 (47210)	190 (42714)	200 (44962)	220 (49458)	330 (74186)
Max. speed	r.p.m.	1700	1700	1300	1300	1300	1000	750
Air consumption / jaw stroke at 6 bar	liter	21	16	36	32	34	52	108
Weight (without top jaws)	kg (lbs)	150 (331)	150 (331)	230 (507)	200 (441)	270 (595)	420 (926)	650 (1433)
Moment of inertia	kg·m ²	3.22	5.66	8.53	8	15	28	71.25

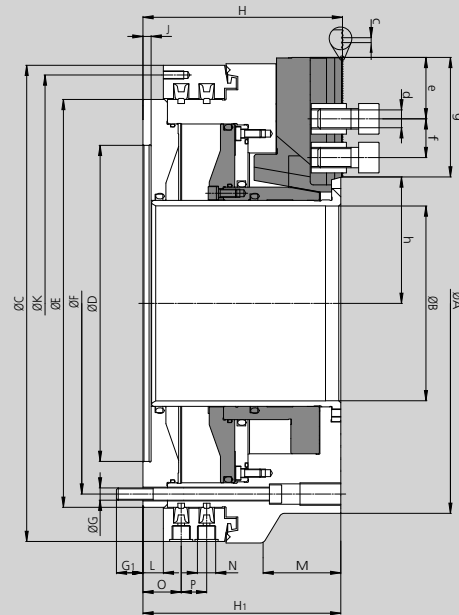
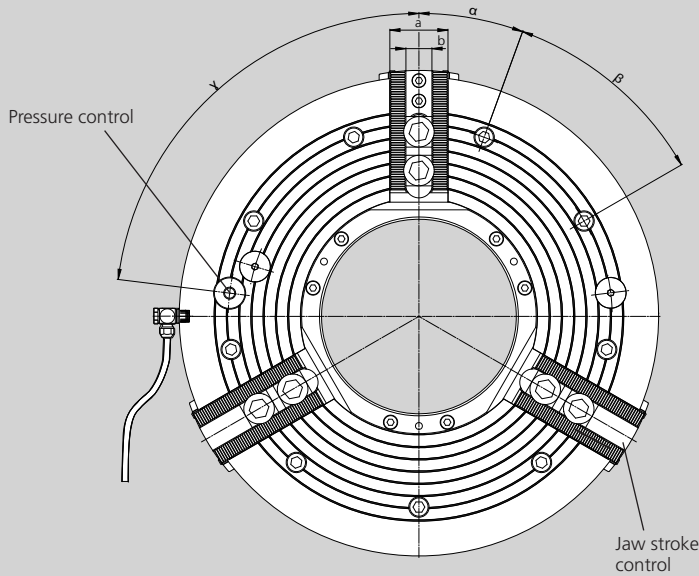


SMW-AUTOBLOK
351

SMW-AUTOBLOK
350

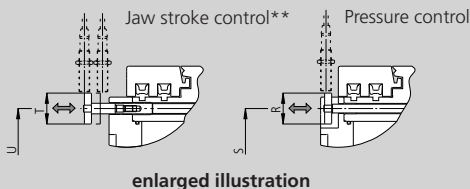
Main dimensions and technical data

Jaw position: Open for external clamping



- * All hoses / piping must be at least 1/2" ID. and min. 3/4" ID. from size 630 on!
- ** BB-N-400-140 has no stroke control and no switch valve for pressure control inside clamping.

To determine the exact position of the jaw stroke control and the pressure control please ask for a customer drawing.



Subject to technical changes.
For more detailed information please ask our customer service.

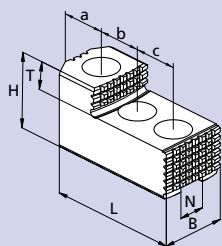
SMW-AUTOBLOK Type BB-N			400-140	470-191	500-205	500-230	600-275	630-310	800-410
Id. No.			052300	053535	053830	053832	053834	053836	053838
Mounting			Z310	Z310	Z415	Z415	Z450	Z510	Z700
	A	mm	422	470	540	570	605	662	800
	B	mm	140	191	205	230	275	310	410
	C	mm	467	467	570	570	605	685	850
	D H6	mm	310	310	415	415	450	510	700
Fixing bolts circle	E	mm	400	400	500	500	535	610	775
	F	mm	374	374	474	474	508	580	745
	G	mm	M12	M12	M12	M12	M12	M16	M16
	G1	mm	26	26	27	27	27	30	30
	H	mm	196	196	225	225	225	263	305
	H1	mm	194	194	223	223	223	261	303
Thread circle 6 x M8	J	mm	8	8	8	8	8	8	8
	K	mm	448	448	550	550	585	666	830
	L	mm	20	20	20	20	20	20	25
	M	mm	70	-	98	98	-	115	154
Pneumatic connection	N	inch	G 1/2"	G 1/2"	G 1/2"	G 1/2"	G 1/2"	G 1/2"	G 1/2"
	O	mm	37	37	37	37	37	39.5	44.5
	P	mm	26	26	26	26	26	33	33
	R	mm	35	35	35	35	35	42	35
	S	mm	374	374	474	474	508	575	745
	T	mm	35	35	35	35	35	35	35
	U	mm	374	374	474	474	508	580	745
	a	mm	57	57	57	57	57	75	75
	b	mm	25.5	25.5	25.5	25.5	25.5	30	30
Serration	c	inch	3/32" x 90°	3/32" x 90°	3/32" x 90°	3/32" x 90°	3/32" x 90°	3/32" x 90°	3/32" x 90°
Bolt ISO 4762 12.9	d	mm	M20	M20	M20	M20	M20	M24	M24
Min.	e	mm	13	13	14	14	14	16	16
T-nuts distance min. / max.	f	mm	38 / 85	38 / 85	38 / 102	38 / 102	38 / 94	47 / 103	47 / 130
Serration length	g	mm	117.5	117	138	138	130	142	171.5
Min. / max.	h	mm	94.5 / 101.5	124 / 131	133.5 / 142	143.5 / 152	165 / 173.5	190.5 / 200.5	243 / 255
	alpha	deg.	20	20	15	15	15	15	15
	beta	deg.	9 x 40	9 x 40	12 x 30	12 x 30	12 x 30	12 x 30	12 x 30
(Pressure control)	gamma	deg.	83	83	60	60	60	60	60

BIG BORE® BB-N

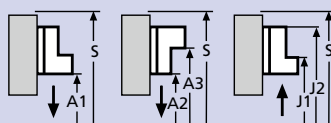
INCH
SERRATION

■ Top jaws
■ T-nuts

MHB-D Hard reversible top jaws

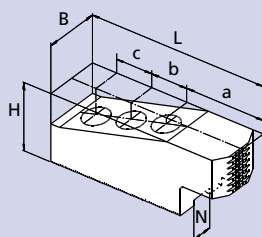


Gripping ranges

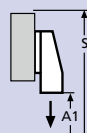


Chuck BB-N	400-140	470-191	500-205	500-230	600-275	630-310	800-410
Jaw type	MHB-D 500	MHB-D 500	MHB-D 500	MHB-D 500	MHB-D 500	MHB-D 630	MHB-D 800
Id. No. (set)	12084546	12084546	12084546	12084546	12084546	12086446	12088046
B	60	60	60	60	60	75	75
H	75	75	75	75	75	85	85
L	140	140	140	140	140	160	220
T	2x19	2x19	2x19	2x19	2x19	30	30
N	25.5	25.5	25.5	25.5	25.5	30	30
Serration	3/32" x 90°	3/32" x 90°	3/32" x 90°	3/32" x 90°	3/32" x 90°	3/32" x 90°	3/32" x 90°
a	46	46	46	46	46	30	51
b	38	38	38	38	38	50	62
c	38	38	38	38	38	50	62
kg / set	6.6	6.6	6.6	6.6	6.6	13.5	19.5
A1	65-238	100-273	150-358	175-378	224-424	275-485	320-590
A2	110-284	145-320	200-405	225-425	348-548	275-485	330-600
A3	294-470	330-505	385-590	410-610	447-647	475-685	590-865
J1	175-350	210-385	265-470	285-490	307-506	395-610	500-770
J2	355-530	390-565	445-650	465-670	504-704	595-810	760-1030
S	585	620	705	725	735	820	1050

GAB Hard top jaws

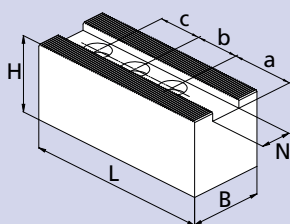


Gripping ranges

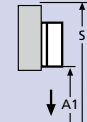


Chuck BB-N	400-140	470-191	500-205	500-230	600-275	630-310	800-410
Jaw type	GAB 500	GAB 500	GAB 500	GAB 500	GAB 500	GAB 630	GAB 800
Id. No. (set)	12085146	12085146	12085146	12085146	12085146	12086546	12089046
B	55	55	55	55	55	75	75
H	73	73	73	73	73	82	82
L	195	195	195	195	195	245	320
N	25.5	25.5	25.5	25.5	25.5	30	30
Serration	3/32" x 90°	3/32" x 90°	3/32" x 90°	3/32" x 90°	3/32" x 90°	3/32" x 90°	3/32" x 90°
a	96	96	96	96	96	113	165
b	38	38	38	38	38	50	60
c	38	38	38	38	38	50	60
kg / set	16.5	16.5	16.5	16.5	16.5	31.5	40.5
A1	25-140	60-175	50-260	70-280	107-308	105-320	95-272
S	585	620	705	725	700	820	1010

WBSA-D / WBC-D Soft top jaws



Gripping ranges



Chuck BB-N	400-140	470-191	500-205	500-230	600-275	630-310	800-410
Jaw type	WBSA-D 500	WBSA-D 500	WBSA-D 500	WBSA-D 500	WBSA-D 500	WBC-D 630	WBC-D 800
Id. No. (pc.)	12075050	12075050	12075050	12075050	12075050	12076440	12078040
B	60	60	60	60	60	80	80
H	60	60	60	60	60	80	80
L	170	170	170	170	170	240	320
N	25.5	25.5	25.5	25.5	25.5	30	30
Serration	3/32" x 90°	3/32" x 90°	3/32" x 90°	3/32" x 90°	3/32" x 90°	3/32" x 90°	3/32" x 90°
a	69	69	69	69	69	110	165
b	38	38	38	38	38	50	60
c	38	38	38	38	38	50	60
kg / piece	3.6	3.6	3.6	3.6	3.6	11	15
A1	25-195	60-230	105-315	125-325	161-362	110-325	95-272
S	545	580	660	680	707	815	1010

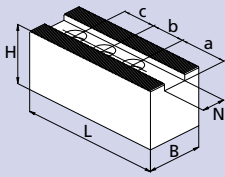


JAWS-CATALOG

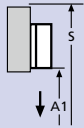
Request or
download:
www.smw-autoblok.de

- Top jaws
- T-nuts
- Adapters

WBC-D, WBCL-D Soft top jaws long version

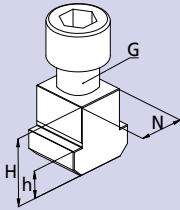


Gripping ranges



Chuck BB-N	400-140	470-191	500-205	500-230	600-275	630-310	800-410
Jaw type	WBC-D 502	WBC-D 502	WBC-D 502	WBC-D 502	WBC-D 502	WBC-D 800	WBCL-D 800
Id. No. (piece)	12075140	12075140	12075140	12075140	12075140	12078040	12079040
B	60	60	60	60	60	80	80
H	60	60	60	60	60	80	80
L	205	205	205	205	205	320	390
N	25.5	25.5	25.5	25.5	25.5	30	30
Serration	3/32" x 90°	3/32" x 90°	3/32" x 90°	3/32" x 90°	3/32" x 90°	3/32" x 90°	3/32" x 90°
a	104	104	104	104	104	165	230
b	38	38	38	38	38	60	60
c	38	38	38	38	38	60	60
kg / piece	4.5	4.5	4.5	4.5	4.5	15	18
A1	-	0-155	35-245	55-265	91-292	25-195	25-235
S	-	575	660	680	707	845	1020

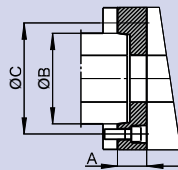
NST T-nuts



Chuck BB-N	400-140	470-191	500-205	500-230	600-275	630-310	800-410
T-nut type	NST	NST	NST	NST	NST	NST	NST
Id. No. (piece)	12065020	12065020	12065020	12065020	12065020	13063900	13063900
N	25.5	25.5	25.5	25.5	25.5	30	30
H	34	34	34	34	34	44	44
h	15	15	15	15	15	18	18
G	M20	M20	M20	M20	M20	M24	M24
Bolt ISO 4762 12.9	M20 x 40	M20 x 40	M20 x 40	M20 x 40	M20 x 40	M24 x 60	M24 x 60

Spindle adapters for BIG BORE chucks

ISO-A DIN 55026 Spindle adapters



BB-N	400-140/470-191			500-205/500-230			600-275			630-310			800-410	
	A8	A11	A15	A11	A15	A20	A11	A15	A20	A11	A15	A20	A15	A20
Id. No.	24184020	24114020	24124020	24115030	24125020	24175020	24116020	24126020	24176020	24116320	24126320	24176320	24128020	24178020
A mm	40	40	40	40	40	40	40	40	40	50	50	50	50	50
B mm	139.719	196.869	285.775	196.869	285.775	412.775	196.869	285.775	412.775	196.869	285.775	412.775	285.775	412.775
C mm	171.4	235	330.2	235	330.2	463.6	235	330.2	463.6	235	330.2	463.6	330.2	463.6

Bayonet and camlock spindle adapters are available on request.

JAWS-CATALOG

Request or
download:
www.smw-autoblok.de

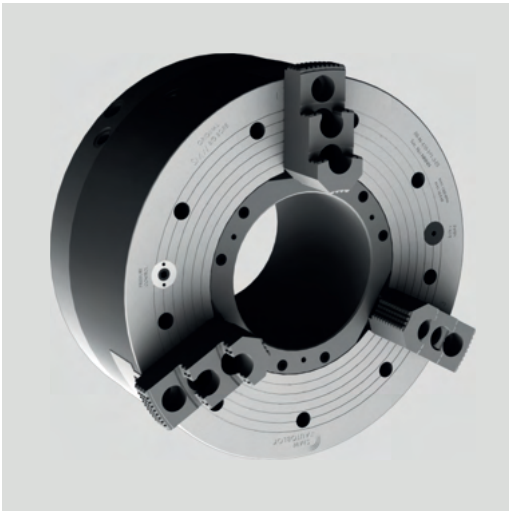


BIG BORE® BB-N-ES

INCH SERRATION

Front-end pneumatic power chuck EXTRA large through-hole Ø 140 - 560 mm

- Chuck size 400 - 1000
- Extended jaw stroke
- 3 jaws



Application/customer benefits

- End machining of long pipes with upset ends
- Rapid and clamping stroke for short clamping cycles
- Full spindle bore can be used

Technical features

- Air chuck for external clamping with built-in pneumatic cylinder
- Rapid and clamping stroke
- Air feed via distributor ring and SMW-profile seals at stopped spindle
- Built-in non-return valves maintain the air pressure during machining
- Clamping pressure level constantly checked by a safety control system (only for external clamping)
- Clamping stroke control (no clamping in rapid stroke) is monitored

Standard equipment

- 3-jaw chuck
- 2 elbow unions G 1/2" (4 for BB-N-ES 1000)
- 12 mounting bolts (9 for the BB-N-ES 400)
- 1 lifting eye bolt
- 1 set T-nuts with bolts
- 1 set soft top jaws
- without distributor ring bracket

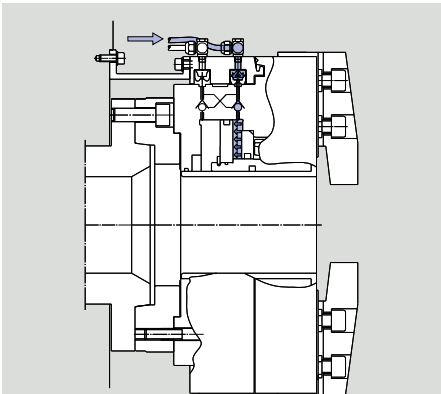
Ordering example

BIG BORE BB-N-ES 400 / Z310

Accessories

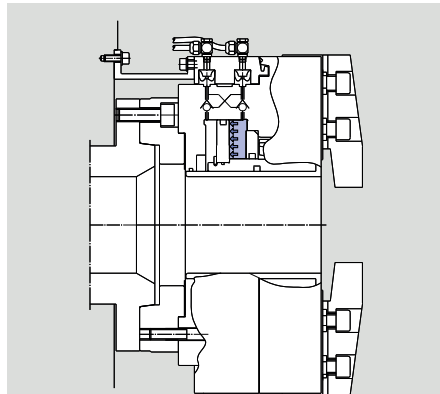
Control unit AC-BB / AC-XN
(see general catalog pages 372-375)

The principle invented by SMW: Air supply via distributor ring and SMW-profile seal rings



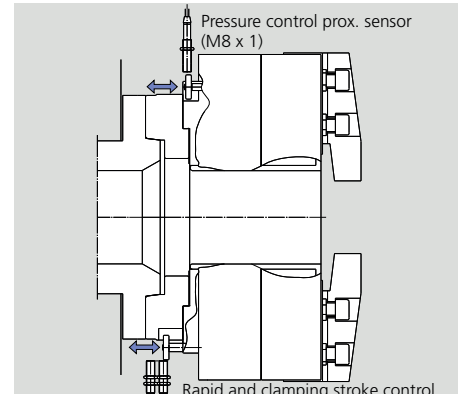
Picture 1

Open / close movement (only possible at stopped spindle). The profile seals deform radially under the pneumatic pressure, sealing on the chuck body and filling the cylinder chamber. When the clamping pressure is reached, the air feed is stopped, closing the twin non-return valve.



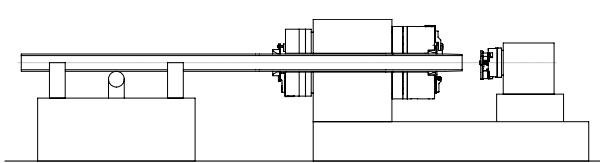
Picture 2

The SMW-profile seals lift to the expanded position, not touching the chuck body anymore. The clamping pressure is maintained by the twin non-return valve. The chuck can start to rotate.

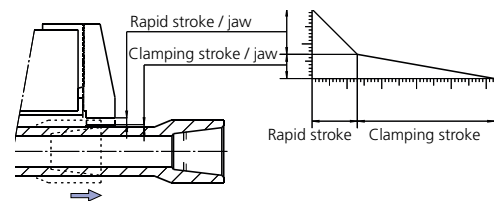


Picture 3

Safety pressure control: If the pressure is less than a pre-set safety level, the switch ring moves into the proximity switch field, sending an alarm signal.
Jaw stroke control: If the part is clamped in a not correct jaw stroke position, the switch ring moves into the proximity switch field sending an alarm signal.



End machining of pipe with front and rear chucks



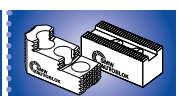
Technical data

SMW-AUTOBLOK Type BB-N-ES		400-140	470-191	500-205	500-230	600-275	630-325	850-375	1000-560
Id. No.		052330	053536	052651	052652	052990	052653	052654	052655
Through-hole	mm (inch)	140 (5.51")	191 (7.52")	205 (8.07")	230 (9.06")	275 (10.83")	325 (12.80")	375 (14.76")	560 (22.05")
Total stroke per jaw	mm (inch)	20 (0.79")	20 (0.79")	25.4 (1")	25.4 (1")	25.4 (1")	25.4 (1")	25.4 (1")	25.4 (1")
Rapid stroke per jaw*	mm (inch)	13 (0.51")	13 (0.51")	16.9 (0.67")	16.9 (0.67")	16.9 (0.67")	17.2 (0.67")	13.4 (0.53")	15 (0.59")
Clamping stroke per jaw	mm (inch)	7 (0.28")	7 (0.28")	8.5 (0.33")	8.5 (0.33")	8.5 (0.33")	8.2 (0.32")	12 (0.47")	10.4 (0.41")
Operating pressure min. / max.	bar (psi)	2 / 10 (29 / 145)	2 / 10 (29 / 145)	2 / 10 (29 / 145)	2 / 10 (29 / 145)	2 / 10 (29 / 145)	2 / 10 (29 / 145)	2 / 10 (29 / 145)	2 / 10 (29 / 145)
Piston area	cm ²	705	565	1004	895	954	1192	1340	1090
Gripping force at 6 bar	kN (lbf)	130 (29225)	115 (25853)	190 (42714)	170 (38218)	185 (41590)	200 (44962)	200 (44962)	170 (38218)
Max. speed	r.p.m.	1300	1300	1100	1300	1100	900	750	450
Air consumption / jaw stroke at 6 bar	liter	29	22	41	37	39	48	79	57
Weight (without top jaws)	kg (lbs)	200 (441)	190 (419)	340 (750)	325 (717)	360 (794)	630 (1389)	970 (2138)	960 (2116)
Moment of inertia	kg·m ²	6.5	9.83	16.4	16.1	19	36	105	160

* May not be used for clamping.



SMW-AUTOBLOK
355



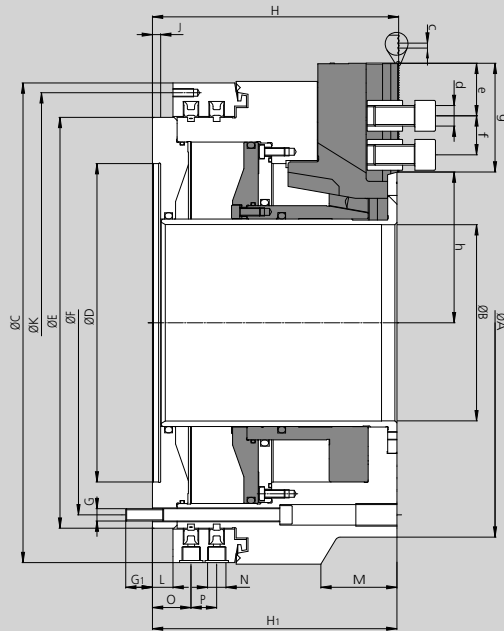
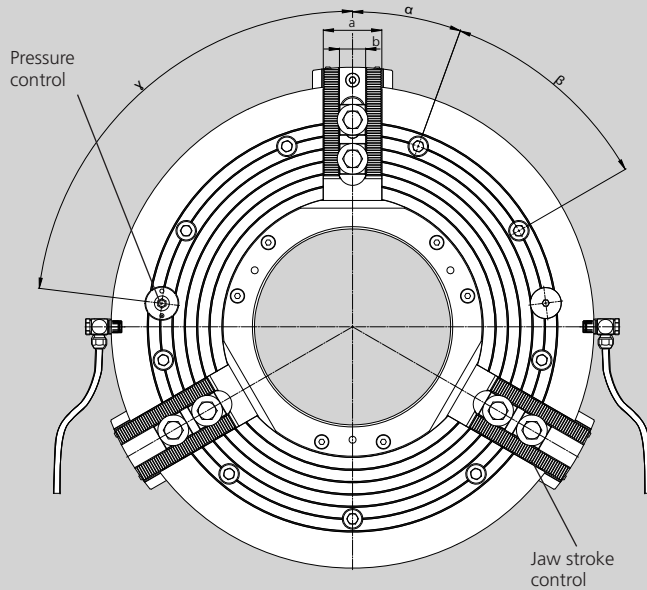
SMW-AUTOBLOK
354

BIG BORE® BB-N-ES

INCH SERRATION

Main dimensions and technical data

Jaw position: Open for external clamping



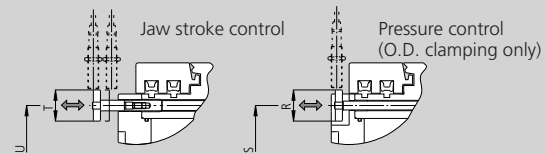
* All hoses / piping must be at least 1/2" ID and min 3/4" ID from chuck size 630 on.

BB-N-ES 1000 needs 2 hoses per function open / close (see installation manual).

To determine the exact position of the jaw stroke control and the pressure control please ask for a customer drawing.

Subject to technical changes.

For more detailed information please ask our customer service.



enlarged illustration

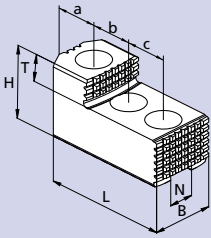
SMW-AUTOBLOK Type BB-N-ES			400-140	470-191	500-205	500-230	600-275	630-325	850-375	1000-560
Id. No.			052330	053536	052651	052652	052990	052653	052654	052655
Mounting			Z310	Z310	Z415	Z415	Z450	Z510	Z700	Z700
	A	mm	467	470	570	570	605	685	850	1000
	B	mm	140	191	205	230	275	325	375	560
	C	mm	467	467	570	570	605	685	850	925
	D H6	mm	310	310	415	415	450	510	700	700
	E	mm	400	400	500	500	535	610	775	850
Fixing bolts circle	F	mm	374	374	474	474	508	580	745	815
	G	mm	M12	M12	M12	M12	M12	M16	M16	M16
	G1	mm	26	26	25	25	25	30	30	30
	H	mm	240	240	282	282	282	307.5	354	332
	H1	mm	238	238	280	280	280	305.5	352	330
	J	mm	8	8	8	8	8	8	8	10
Thread circle 6 x M8	K	mm	448	448	550	550	585	666	830	910
	L	mm	20	20	20	20	20	20	25	33
	M	mm	-	-	-	-	-	-	-	224
Pneumatic connection	N	inch	G 1/2"	G 1/2"	G 1/2"	G 1/2"	G 1/2"	G 1/2"	G 1/2"	G 1/2"
	O	mm	37	37	37	37	37	39.5	44.5	52.5
	P	mm	26	26	26	26	26	33	33	33
	R	mm	35	35	35	35	35	42	35	42
	S	mm	374	374	474	474	508	580	745	815
	T	mm	35	35	35	35	35	35	35	35
	U	mm	374	374	474	474	508	580	745	815
	a	mm	57	57	57	57	57	75	75	75
	b	mm	25.5	25.5	25.5	25.5	25.5	30	30	30
Serration	c	inch	3/32" x 90°	3/32" x 90°	3/32" x 90°	3/32" x 90°	3/32" x 90°	3/32" x 90°	3/32" x 90°	3/32" x 90°
Bolt ISO 4762 12.9	d	mm	M20	M20	M20	M20	M20	M24	M24	M24
Min.	e	mm	14	14	14	14	14	16	16	16
T-nuts distance min. / max.	f	mm	38 / 90	38 / 85	38 / 104	38 / 92	38 / 79	47 / 100	47 / 140	47 / 125
Serration length	g	mm	121	106	140	127.5	116.5	138	182	166
Min. / max.	h	mm	104 / 124	127 / 147	145.6 / 171	158 / 182.5	179.1 / 204.5	204.6 / 230	242.6 / 268	334.6 / 360
	alpha	deg.	20	20	15	15	15	15	15	15
	beta	deg.	9 x 40	9 x 40	12 x 30	12 x 30	12 x 30	12 x 30	12 x 30	12 x 30
(Pressure control)	gamma	deg.	83	83	60	60	60	60	60	60

BIG BORE® BB-N-ES

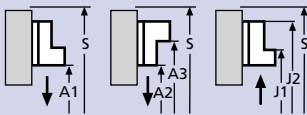
INCH SERRATION

- Top jaws
- T-nuts

MHB-D Hard reversible top jaws

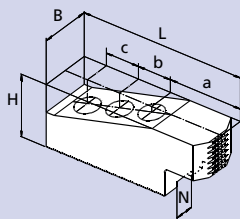


Gripping ranges

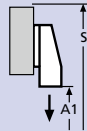


Chuck BB-N-ES	400-140	470-191	500-205	500-230	600-275	630-325	850-375	1000-560
Jaw type	MHB-D 500	MHB-D 500	MHB-D 500	MHB-D 500	MHB-D 500	MHB-D 630	MHB-D 800	MHB-D 800
Id. No.	12084546	12084546	12084546	12084546	12084546	12086446	12088046	12088046
B	60	60	60	60	60	75	75	75
H	75	75	75	75	75	85	85	85
L	140	140	140	140	140	160	220	220
T	2 x 19	2 x 19	2 x 19	2 x 19	2 x 19	30	30	30
N	25.5	25.5	25.5	25.5	25.5	30	30	30
Serration	3/32" x 90°	3/32" x 90°	3/32" x 90°	3/32" x 90°	3/32" x 90°	3/32" x 90°	3/32" x 90°	3/32" x 90°
a	46	46	46	46	46	30	51	51
b	38	38	38	38	38	50	62	62
c	38	38	38	38	38	50	62	62
kg / set	6.6	6.6	6.6	6.6	6.6	13.5	19.5	19.5
A1	78-264	113-270	175-388	200-388	252-422	295-500	320-610	470-760
A2	125-310	160-315	225-435	250-435	376-546	295-500	330-620	480-770
A3	310-495	345-500	410-620	435-620	475-645	495-700	590-865	745-1030
J1	-	-	-	-	-	-	-	-
J2	-	-	-	-	-	-	-	-
S	635	640	765	765	765	870	1070	1250

GAB Hard top jaws

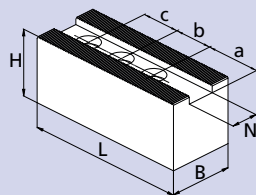


Gripping ranges

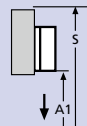


Chuck BB-N-ES	400-140	470-191	500-205	500-230	600-275	630-325	850-375	1000-560
Jaw type	GAB 500	GAB 500	GAB 500	GAB 500	GAB 500	GAB 630	GAB 800	GAB 800
Id. No.	12085146	12085146	12085146	12085146	12085146	12086546	12089046	12089046
B	55	55	55	55	55	75	75	75
H	73	73	73	73	73	82	82	82
L	195	195	195	195	195	245	320	320
N	25.5	25.5	25.5	25.5	25.5	30	30	30
Serration	3/32" x 90°	3/32" x 90°	3/32" x 90°	3/32" x 90°	3/32" x 90°	3/32" x 90°	3/32" x 90°	3/32" x 90°
a	96	96	96	96	96	113	165	165
b	38	38	38	38	38	50	60	60
c	38	38	38	38	38	50	60	60
kg / set	16.5	16.5	16.5	16.5	16.5	31.5	40.5	40.5
A1	25-160	60-165	75-290	100-290	135-306	130-335	95-385	245-535
S	635	640	765	765	740	870	1060	1210

WBSA-D / WBC-D Soft top jaws



Gripping ranges



Chuck BB-N-ES	400-140	470-191	500-205	500-230	600-275	630-325	850-375	1000-560
Jaw type	WBSA-D 500	WBSA-D 500	WBSA-D 500	WBSA-D 500	WBSA-D 500	WBC-D 630	WBC 800	WBC-D 800
Id. No. (pc.)	12075050	12075050	12075050	12075050	12075050	12076440	12078040	12078040
B	60	60	60	60	60	80	80	80
H	60	60	60	60	60	80	80	80
L	170	170	170	170	170	240	320	320
N	25.5	25.5	25.5	25.5	25.5	30	30	30
Serration	3/32" x 90°	3/32" x 90°	3/32" x 90°	3/32" x 90°	3/32" x 90°	3/32" x 90°	3/32" x 90°	3/32" x 90°
a	69	69	69	69	69	110	165	165
b	38	38	38	38	38	50	60	60
c	38	38	38	38	38	50	60	60
kg / piece	3.6	3.6	3.6	3.6	3.6	11	15	15
A1	35-220	70-225	130-335	155-335	189-360	135-340	95-385	245-535
S	590	595	720	720	740	865	1060	1210

JAWS-CATALOG

Request or
download:
www.smw-autoblok.de

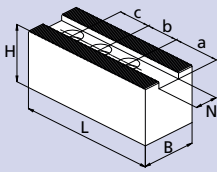


BIG BORE® BB-N-ES

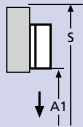
INCH SERRATION

- Top jaws
- T-nuts
- Spindle adapters

WBC-D, WBCL-D Soft top jaws long version

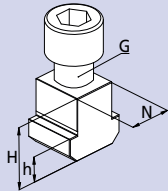


Gripping ranges



Chuck BB-N-ES	400-140	470-191	500-205	500-230	600-275	630-325	850-375	1000-560
Jaw type	WBC-D 502	WBC-D 502	WBC-D 502	WBC-D 502	WBC-D 502	WBC-D 800	WBCL-D 800	WBCL-D 800
Id. No. (pc.)	12075140	12075140	12075140	12075140	12075140	12078040	12079040	12079040
B	60	60	60	60	60	80	80	80
H	60	60	60	60	60	80	80	80
L	205	205	205	205	205	320	390	390
N	25.5	25.5	25.5	25.5	25.5	30	30	30
Serration	3/32" x 90°	3/32" x 90°	3/32" x 90°	3/32" x 90°	3/32" x 90°	3/32" x 90°	3/32" x 90°	3/32" x 90°
a	104	104	104	104	104	165	230	230
b	38	38	38	38	38	60	60	60
c	38	38	38	38	38	60	60	60
kg	4.5	4.5	4.5	4.5	4.5	15	18	18
A1	-	0-150	60-275	85-275	119-290	25-210	25-255	115-405
S	-	595	720	720	740	895	1070	1220

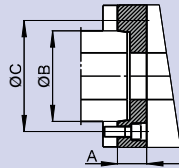
NST T-nuts



Chuck BB-N-ES	400-140	470-191	500-205	500-230	600-275	630-325	850-375	1000-560
T-nut type	NST	NST	NST	NST	NST	NST	NST	NST
Id. No. (pc.)	12065020	12065020	12065020	12065020	12065020	13063900	13063900	13063900
N	25.5	25.5	25.5	25.5	25.5	30	30	30
H	34	34	34	34	34	44	44	44
h	15	15	15	15	15	18	18	18
G	M 20	M 20	M 20	M 20	M 20	M 24	M24	M 24
Bolt ISO 4762 12.9	M20 x 40	M20 x 40	M20 x 40	M20 x 40	M20 x 40	M24 x 60	M24 x 60	M24 x 60

Spindle adapters for BIG BORE chucks

ISO-A DIN 55026 Spindle adapters



BB-N-ES	400-140/470-191			500-205/500-230			600-275			630-325			850-375		1000-560	
Spindle nose	A8	A11	A15	A11	A15	A20	A11	A15	A20	A11	A15	A20	A15	A20	A15	A20
Id. No.	24184020	24114020	24124020	24115030	24125020	24175020	24116020	24126020	24176020	24116320	24126320	24176320	24128020	24178020	on request	
A	mm 40	40	40	40	40	40	40	40	40	50	50	50	50	50		
B	mm 139.719	196.869	285.775	196.869	285.775	412.775	196.869	285.775	412.775	196.869	285.775	412.775	285.775	412.775	265.775	412.775
C	mm 171.4	235	330.2	235	330.2	463.6	235	330.2	463.6	235	330.2	463.6	330.2	463.6	330.2	463.6

Bayonet and camlock spindle adapters are available on request.

JAWS-CATALOG

Request or
download:
www.smw-autoblok.de



BIG BORE® BB-SC

INCH SERRATION

Front-end spring clamp power chuck EXTRA large through-hole Ø 275 - 565 mm

- Chuck size 600 - 1020
- Clamping with spring packs
- Rapid and clamping stroke



Application/customer benefits

- End machining of long pipes / self centering clamping
- Long jaw stroke to clear upset piping
- Highest productivity / open and clamp time < 3 sec.
- Low maintenance = high availability of the machine
- Step mode for partial opening / clamping for shimming possible
- Full spindle bore can be used

Technical features

- Self centering clamping with either 9 / 6 / 3 spring packs
- Encapsulated spring packs
- Opening via integrated cylinder
- Permanently grease lubricated for constant grip force
- Long jaw stroke with rapid and clamping stroke
- Low air consumption
- Stroke control
- **proofline® chucks** = fully sealed - low maintenance

Standard equipment

- Chuck with mounting bolts
- 1 set of soft top jaws
- 1 set of T-nuts and bolts

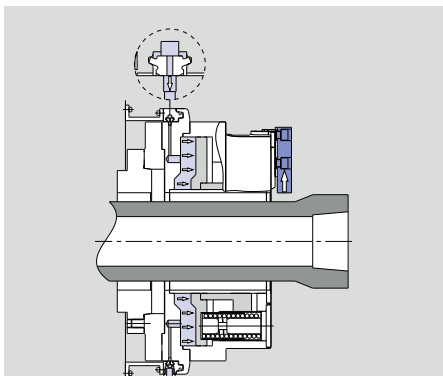
Ordering example

Big Bore SC 850-395
Id. No. 053350

Accessories

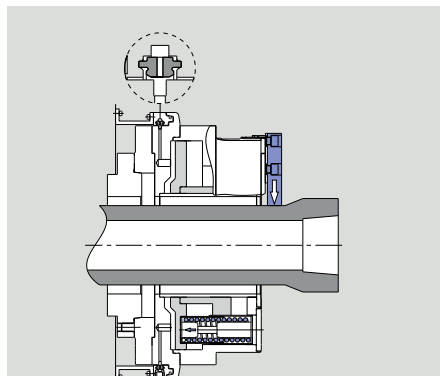
Air control AC-SC

The reliable principle: Clamping via encapsulated spring packs / opening via air cylinder



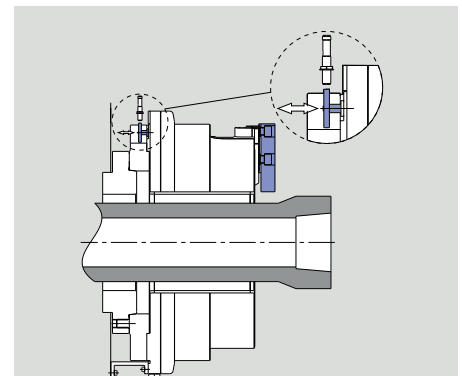
Picture 1

Chuck open (only at stopped spindle). The SMW profile seal collapses radial under the air pressure and seals against the chuck body. The cylinder chamber is filled. The piston is compressing the springs, the jaws open.



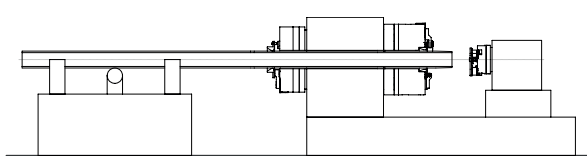
Picture 2

Chuck clamped. The SMW profile seal lifts off the chuck body due to elastic force. The springs expand and transmit their force onto the jaws via the wedge hook drive. The spindle can rotate.

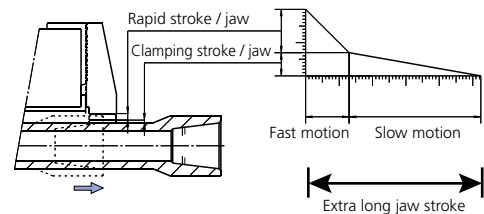


Picture 3

Stroke control. The position of the jaws can be monitored via a mechanical cam by 1 or 2 proximity switches.



End machining of tubes with front and rear chucks



Technical data

SMW-AUTOBLOK Type		BB-SC 600-275			BB-SC 850-395			BB-SC 1020-565		
Id. No.		053540			053350			053570		
Through-hole	mm (inch)	275 (10.83")			395 (15.55")			565 (22.24")		
Total stroke per jaw	mm (inch)	25.4 (1")			27 (1.06")			27 (1.06")		
Rapid stroke per jaw*	mm (inch)	16.9 (0.67")			15 (0.59")			15 (0.59")		
Clamping stroke per jaw	mm (inch)	8.5 (0.33")			12 (0.47")			12 (0.47")		
Operating pressure at 9 springs	bar (psi)	5 (73)			5 (73)			5 (73)		
Max. gripping force at 3 / 6 / 9 springs	kN (lbf)	50 (11240)	100 (22480)	150 (33721)	57 (12814)	113 (25403)	170 (38218)	57 (12814)	113 (25403)	170 (38218)
Max. speed	r.p.m.	1000			700			420		
Air consumption to open at 5 bar (73 psi)	liter	60			115			139		
Weight (without jaws)	kg (lbs)	510 (1124)			930 (2050)			1260 (2779)		
Moment of inertia	kg-m ²	34			101			223		

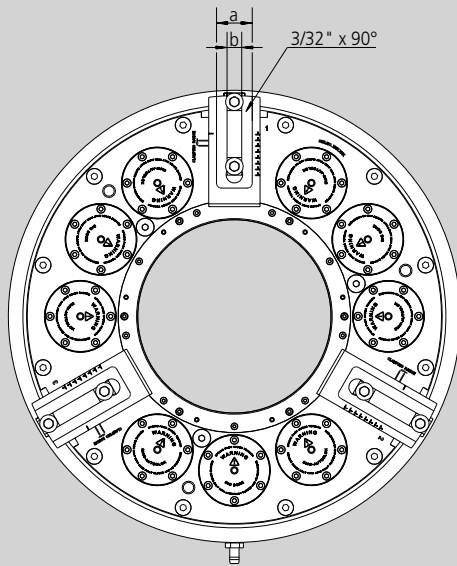
* May not be used for clamping.



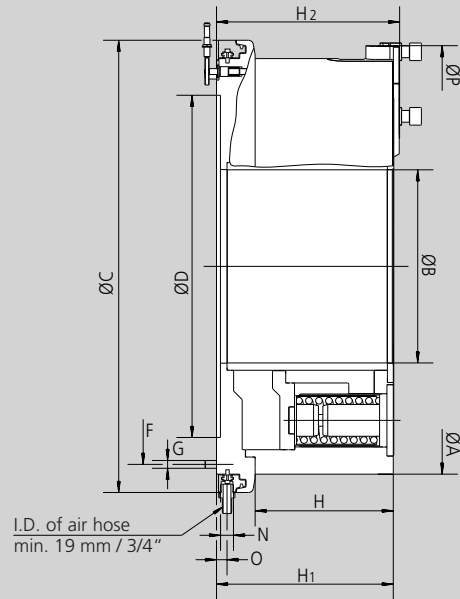
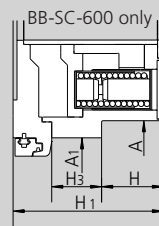
SMW-AUTOBLOK
357

SMW-AUTOBLOK
354

Main dimensions and technical data



Opening pressure with all springs mounted
Min. 5 bar (73 psi), max. 8 bar (116 psi)

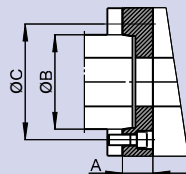


Subject to technical changes.
For more detailed information please ask our customer service.

SMW-AUTOBLOK Type			BB-SC 600-275	BB-SC 850-395	BB-SC 1020-565
Mounting			Z520	Z700	Z870
(BB-SC-600-275)	A	mm	605	850	1020
Through-hole	A1	mm	675	-	-
	B	mm	275	395	565
	C	mm	750	925	1095
	D H6	mm	520	700	870
	F	mm	640	810	980
	G		M12 (12x)	M16 (12x)	M16 (12x)
	H		126.7	282.5	282.5
	H1		307.5	361.5	361.5
	H2		320.5	374.5	374.5
(BB-SC-600-275)	H3		102	-	-
	N		G 3/4"	G 3/4"	G 3/4"
	O		21.5	21.5	21.5
Max. swing	P		655.8	902.8	1074
	a		58	73	73
	b		25.5	30	30
Rapid stroke		mm	16.9	15	15
Clamping stroke		mm	8.5	12	12
Total clamping stroke		mm	25.4	27	27

Spindle adapters

Spindle adapters
ISO-A DIN 55026



BB-SC	600-275			850-395		1020-565		
Spindle nose	A11	A15	A20	A15	A20	A15	A20	A28
Id. No.	on request	053590	053591	053362	053358	on request	053595	053596

Clamping of pipes with

BIG BORE 2G chucks

BB-EXL2G

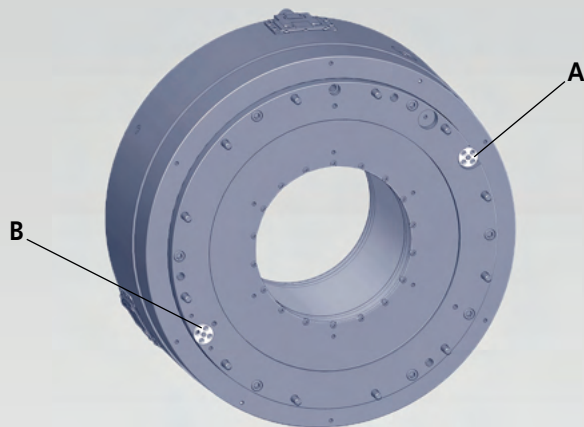
BB-AZ2G

BB-FZA2G

BB-EXL-SC2G

BIG BORE BB-N-EXL2G

- Self centering
- Extra long jaw stroke
- Jaw jogging

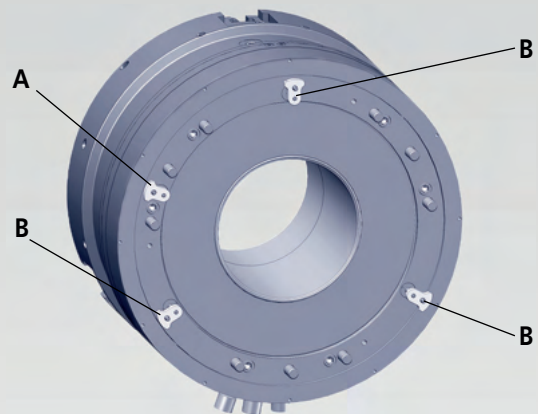


Safety features:

- A:** Pressure control
- B:** Stroke control

BIG BORE BB-AZ2G

- Self centering or compensating clamping
- Extra long jaw stroke

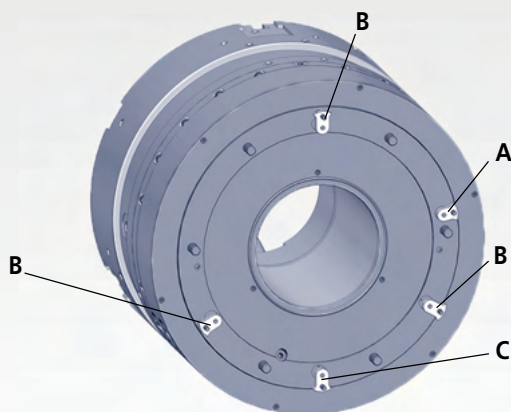


Safety features:

- A:** Pressure control
- B:** Individual stroke control for each jaw

BIG BORE BB-FZA2G

- 6-jaw sequence chuck
(3 centering jaws - 3 compensating jaws)
- Extra long jaw stroke (radial and axial)

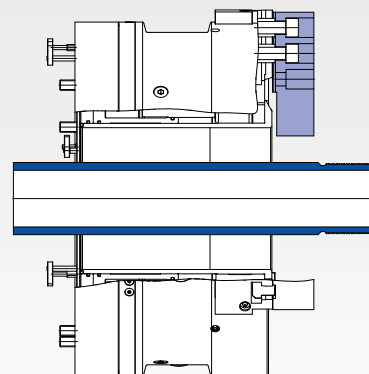


Safety features:

- A:** Pressure control for compensating jaws
- B:** Individual stroke control for each compensating jaw
- C:** Stroke control for retracted centering jaws

All 2G chucks

- Extra long jaw stroke
→ Extra large clearance between pipe and jaws



Extra long jaw stroke for:

- Safe loading of pipe, no hitting of the jaws
- Safe unloading of the threaded pipe with **no** damage of the finished thread

Clamping glossary

Extra long jaw stroke: The extra long jaw stroke allows a long radial movement of the master jaws of the Big Bore 2G chuck. It can be either a fully usable clamping jaw stroke or a combination of rapid stroke and clamping stroke.

An **extra long jaw stroke** allows safe loading and unloading of the pipe.

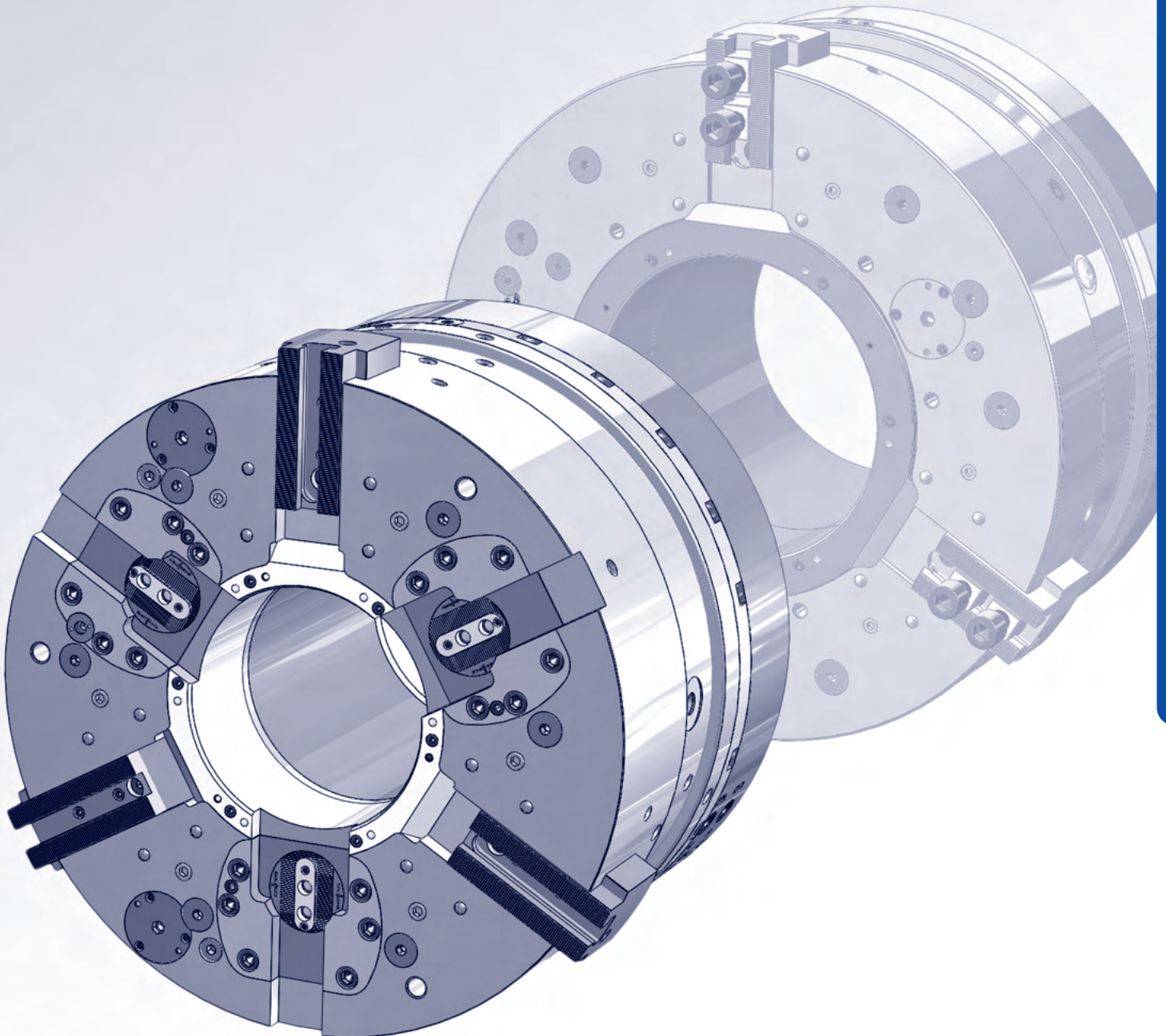
Individual stroke control for each jaw: In compensating clamping mode, all 3 jaws of the Big Bore 2G chucks make a different radial movement to compensate for the misalignment of the pipe to be clamped. A single central jaw stroke control cannot detect if the jaw stroke on one of the master jaws bottoms out and yet cannot hold the pipe in the requested position anymore.

The **individual stroke control for each jaw** ensures that all 3 jaws are within the correct clamping stroke and will clamp the pipe safe and accurate. The signals are picked up by proximity switches, and are monitored by the air control unit.

Stroke control for the retracted jaws: On the 6 jaw sequence chuck Big Bore FZA2G, the centering jaws are used only in static mode to align the pipes machining area to the center line of the machine. The pipe position is maintained when the compensating jaws clamp. The centering jaws are then retracted to allow threading at the centered area. In order to make sure that the centering jaws are retracted and do not interfere with the threading tool during machining, the retracted position of the centering jaws is monitored by a **stroke control** system via a proximity switch.

Pressure control: During the machining of a pipe, the air pressure to create the gripping force is maintained by a built in safety valve system.

In case there is a drop in clamping pressure, a built in **pressure control** will detect the low pressure and pick up an alarm signal via proximity switch. All Big Bore 2G chucks have such a pressure control as a standard feature.

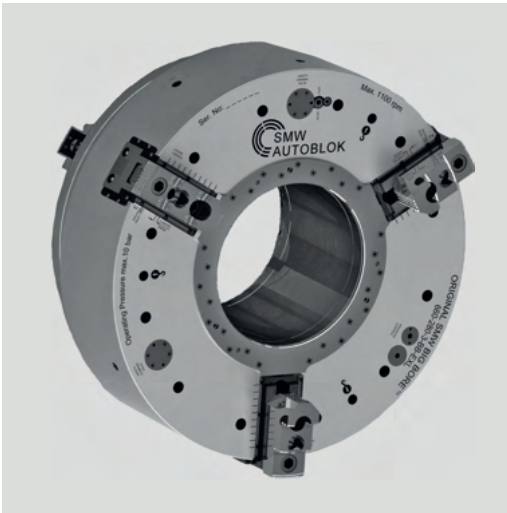


BIG BORE® BB-EXL2G

INCH SERRATION

Front-end pneumatic power chuck EXTRA large through-hole Ø 191 - 390 mm

- Chuck size 510 - 900
- 3 jaws
- Extended extra long jaw stroke



Application/customer benefits

- End machining of long pipes with collars
- Rapid and clamping stroke for short clamping cycles
- Full spindle bore can be used

Technical features

- Suitable for jaw jog mode
- Air chuck for external clamping with built-in pneumatic cylinder
- Air feed via distributor ring and SMW-profile seals at stopped spindle
- Built-in non-return valves maintain the air pressure during machining
- Clamping pressure level constantly checked by a safety control system (only for external clamping)
- Clamping stroke control (no clamping in rapid stroke) is monitored
- Extra long jaw stroke (1 1/2" total)

Standard equipment

- 3-jaw chuck
- 2 elbow unions G 1/2"
- 12 mounting bolts
- 3 lifting eye bolt, 1 set T-nuts with bolts
- 1 set soft top jaws
- Without distributor ring bracket

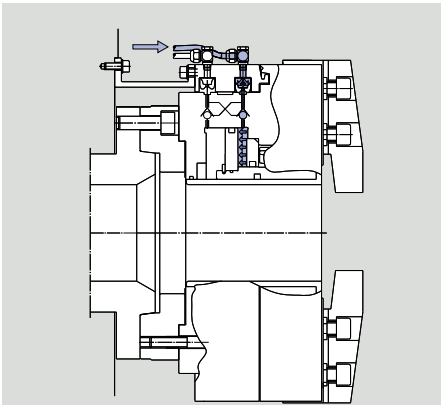
Ordering example

Big Bore BB-EXL2G 660 / Z450

Accessories

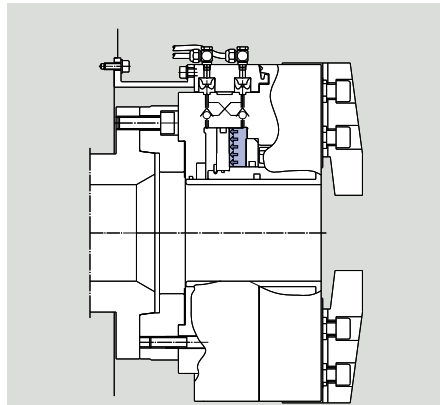
Control unit AC-BB / AC-XN
(see general catalog pages 372-375)

The principle invented by SMW: Air supply via distributor ring and SMW profile seal rings



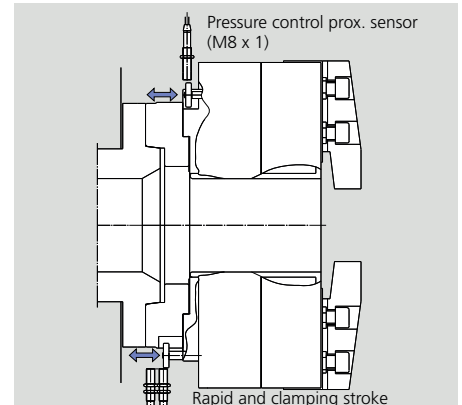
Picture 1

Open / close movement (only possible at stopped spindle). The profile seals deform radially under the pneumatic pressure, sealing on the chuck body and filling the cylinder chamber. When the clamping pressure is reached, the air feed is stopped, closing the non-return valve.



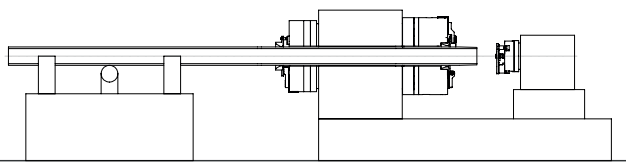
Picture 2

The SMW profile seals lift to the expanded position, not touching the chuck body anymore. The clamping pressure is maintained by the twin non-return valve. The chuck can start to rotate.

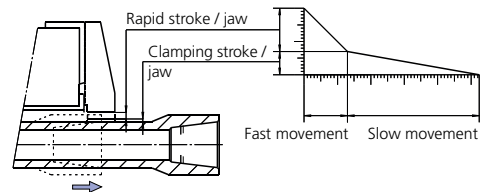


Picture 3

Safety pressure control: If the pressure is less than a pre-set safety level, the switch ring moves into the proximity switch field, sending an alarm signal.
Jaw stroke control: If the part is clamped in a not correct jaw stroke position, the switch ring moves into the proximity switch field sending an alarm signal.



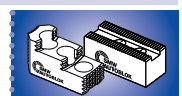
End machining of pipe with front and rear chucks



Technical data

SMW-AUTOBLOK Type		BB-EXL2G 510-191	BB-EXL2G 660-280	BB-EXL2G 900-390
Id. No.		77784553	77784566	77784588
Through-hole	mm (inch)	191 (7.52")	280 (11.02")	390 (15.35")
Total stroke per jaw	mm (inch)	38.5 (1.52")	38.5 (1.52")	38.5 (1.52")
Rapid stroke per jaw*	mm (inch)	30 (1.18")	30 (1.18")	30 (1.18")
Clamping stroke per jaw	mm (inch)	8.5 (0.33")	8.5 (0.33")	8.5 (0.33")
Operating pressure min. / max.	bar (psi)	2 / 10 (29 / 145)	2 / 10 (29 / 145)	2 / 10 (29 / 145)
Piston area	cm ²	760	1300	1800
Gripping force at 6 bar (87 psi)	kN (lbf)	115 (25853)	195 (43838)	270 (60698)
Max. speed	r.p.m.	1300	1100	750
Air consumption / jaw stroke at 6 bar (87 psi)	liter	37	58	78
Weight (without top jaws)	kg (lbs)	260 (573)	470 (1036)	950 (2094)
Moment of inertia	kg·m ²	10	30.4	112

* May not be used for clamping.



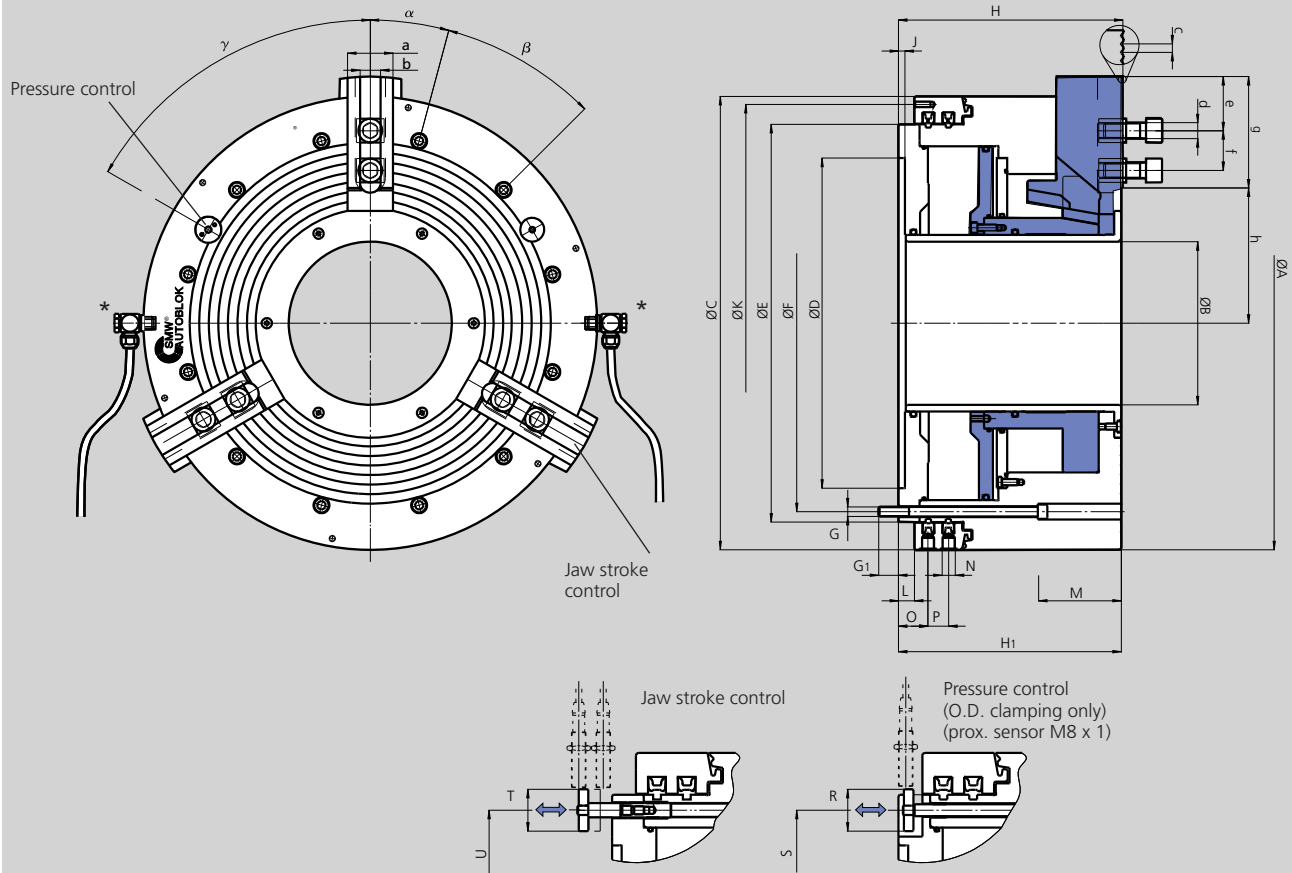
SMW-AUTOBLOK
362

BIG BORE® BB-EXL2G

INCH SERRATION

Main dimensions and technical data

Jaw position: Open for external clamping



enlarged illustration

Subject to technical changes.
For more detailed information please ask for customer drawing.

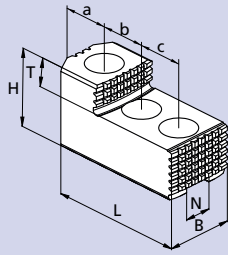
SMW-AUTOBLOK Type			BB-EXL2G 510-191	BB-EXL2G 660-280	BB-EXL2G 900-390
Mounting			Z310	Z450	Z700
	A	mm	520	673	900
	B	mm	191	280	390
	C	mm	520	665	852
	D H6	mm	310	450	700
	E	mm	446	585	775
Fixing bolts circle	F	mm	414	558	745
	G	mm	M12	M12	M16
	G1	mm	25	25	29
	H	mm	277	292	323
	H1	mm	270	285	314
	J	mm	8	8	8
Thread circle 6 x M8	K	mm	500	640	830
	L	mm	25	25	33
	M	mm	115	110	143
Pneumatic connection	N	inch	G 1/2"	G 1/2"	G 1/2"
	O	mm	46,5	46	54,5
	P	mm	36	36	33
	R	mm	35	35	35
	S	mm	414	554	745
	T	mm	35	35	35
	U	mm	414	554	745
	a	mm	57	62	75
b	mm	25,5	25,5	30	
Serration	c	inch	3/32" x 90°	3/32" x 90°	3/32" x 90°
Bolts ISO 4762 12.9	d	mm	M20	M20	M24
	e	mm	15	15	18
T-nuts distance min. / max.	f	mm	30 / 84	30 / 107	36 / 150
Serration length	g	mm	110	142	194
Min. / max.	h	mm	151,5 / 190	199,5 / 238	262 / 300,5
	alpha	deg.	20	15	15
	beta	deg.	9 x 40	12 x 30	12 x 30
(Pressure control)	gamma	deg.	83	60	60

BIG BORE® BB-EXL2G

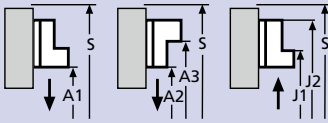
INCH SERRATION

- Top jaws
- T-nuts

MHB-D Hard reversible top jaws

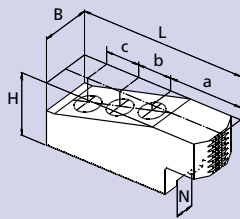


Gripping ranges

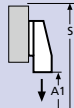


Chuck BB-EXL2G	510-191	660-280	900-390
Jaw type	MHB-D 500	MHB-D 500	MHB-D 800
Id. No.	12084546	12084546	12088046
B	60	60	75
H	75	75	85
L	140	140	220
T	2 x 19	2 x 19	30
N	25.5	25.5	30
Serration	3/32" x 90°	3/32" x 90°	3/32" x 90°
a	46	46	51
b	38	38	62
c	38	38	62
kg / set	6.6	6.6	19.5
A1			
A2			
A3			
J1			
J2			
S			

GAB Hard top jaws

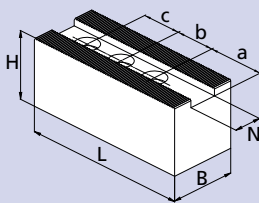


Gripping ranges

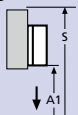


Chuck BB-EXL2G	510-191	660-280	900-390
Jaw type	GAB 500*	GAB 660	GAB 800
Id. No.	12085146	12086646	12089046
B	55	55	75
H	73	73	82
L	195	255	320
N	25.5	25.5	30
Serration	3/32" x 90°	3/32" x 90°	3/32" x 90°
a	96	156	165
b	38	38	60
c	38	38	60
kg / set	16.5	26.7	40.5
A1			
S			

WBSA-D / WBC-D Soft top jaws



Gripping ranges



Chuck BB-EXL2G	510-191	660-280	900-390
Jaw type	WBSA-D 500	WBSA-D 500	WBC 800
Id. No. (pc.)	12075050	12075050	12078040
B	60	60	80
H	60	60	80
L	170	170	320
N	25.5	25.5	30
Serration	3/32" x 90°	3/32" x 90°	3/32" x 90°
a	69	69	165
b	38	38	60
c	38	38	60
kg / piece	3.6	3.6	15
A1			
S			

* For small clamping dia. please use hard top jaws type GAB-660.



JAWS-CATALOG

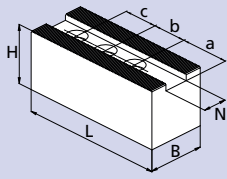
Request or
download:
www.smw-autoblok.de

BIG BORE® BB-EXL2G

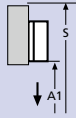
INCH SERRATION

- Top jaws
- T-nuts
- Adapters

WBC-D, WBCL-D Soft top jaws long version

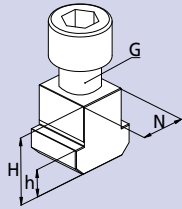


Gripping ranges



Chuck BB-EXL2G	510-191	660-280	900-390
Jaw type	WBC-D 502	WBC-D 502	WBCL-D 800
Id. No. (piece)	12075140	12075140	12079040
B	60	60	80
H	60	60	80
L	205	205	390
N	25.5	25.5	30
Serration	3/32" x 90°	3/32" x 90°	3/32" x 90°
a	104	104	230
b	38	38	60
c	38	38	60
kg / piece	4.5	4.5	18
A1			
S			

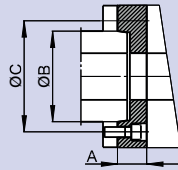
NST T-nuts



Chuck BB-EXL2G	510-191	660-280	900-390
T-nut type	NST	NST	NST
Id. No. (piece)	12065020	12065020	13063900
N	25.5	25.5	30
H	34	34	44
h	15	15	18
G	M 20	M 20	M24
Bolt ISO 4762 12.9	M20 x 40	M20 x 40	M24 x 60

Spindle adapters for BIG BORE BB-EXL2G chucks

ISO-A DIN 55026 Spindle adapters



BB-EXL2G	510-191			660-280			900-390	
Spindle nose	A11	A15	A20	A11	A15	A20	A15	A20
Id. No.	24115120	24125120	24175120	24116620	24126620	24176620	24128020	24178020

Bayonet and camlock spindle adapters are available on request.

JAWS-CATALOG

Request or
download:
www.smw-autoblok.de



BIG BORE® BB-AZ2G

INCH SERRATION

Front-end pneumatic power chuck EXTRA large through-hole Ø 275 - 560 mm

- Chuck size 685 - 1000
- Self-centering or compensating clamping
- Chuck with EXTRA long rapid and clamping stroke - 3 jaws



Application/customer benefits

- End machining of straight or bent pipes
- Tubes can be clamped self-centering or with radial jaw compensation at bent pipes, using a retractable centering chuck
- Full spindle bore can be used
- Stroke control for each jaw
- EXTRA long rapid and clamping stroke (1 1/2" total)
- Pressure control

Technical features

- Air chuck with built-in pneumatic cylinders for self-centering or compensating clamping mode
- Air feed for both functions via distributor ring and SMW-AUTOBLOK profile seals at stopped spindle
- Built-in non-return valves maintain the air pressure during machining
- EXTRA long rapid and clamping stroke
- For external clamping only

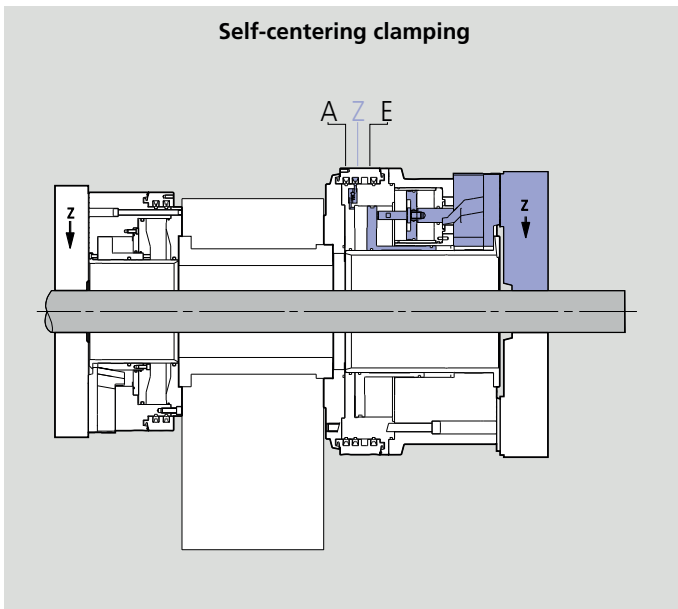
Standard equipment

Chuck with mounting bolts
1 set of T-nuts with bolts

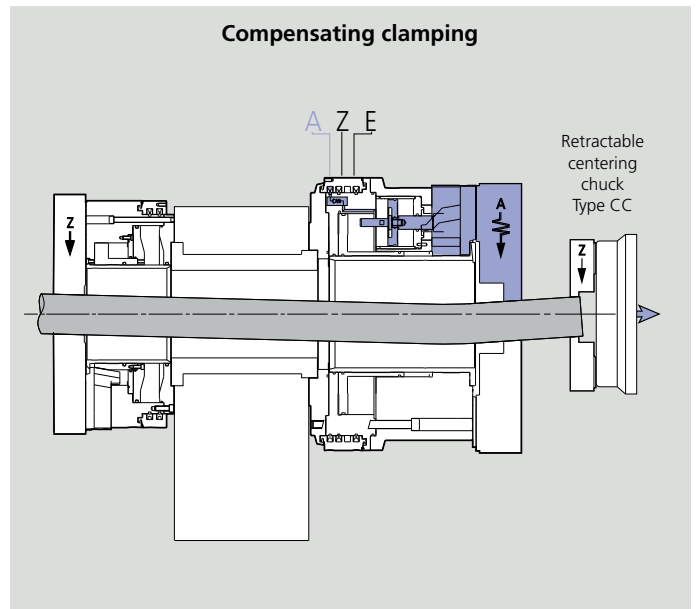
Ordering example

Big Bore BB-AZ2G 685-275- A15

Self-centering clamping



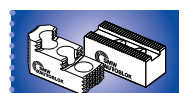
Compensating clamping



Technical data

SMW-AUTOBLOK Type		BB-AZ2G 685-275	BB-AZ2G 740-330	BB-AZ2G 800-390	BB-AZ2G 1000-560
Through-hole	mm (inch)	275 (10.83")	330 (13")	390 (15.35")	560 (22.05")
Total stroke per jaw	mm (inch)	38.1 (1 1/2")	38.1 (1 1/2")	38.1 (1 1/2")	38.1 (1 1/2")
Rapid stroke per jaw*	mm (inch)	28.7 (1.13")	28.7 (1.13")	28.7 (1.13")	28.7 (1.13")
Clamping stroke per jaw	mm (inch)	9.4 (0.37")	9.4 (0.37")	9.4 (0.37")	9.4 (0.37")
Operating pressure min. / max.	bar (psi)	2 / 10 (29 / 145)	2 / 10 (29 / 145)	2 / 10 (29 / 145)	2 / 10 (29 / 145)
Piston area	cm²	1333	1344	1505	1570
Gripping force at 6 bar self-centering	kN (lbf)	160 (35969)	160 (35969)	180 (40466)	180 (40466)
Gripping force at 6 bar compensating	kN (lbf)	90 (20233)	90 (20233)	90 (20233)	90 (20233)
Max. speed	r.p.m.	1000	850	750	500
Air consumption / jaw stroke at 6 bar					
Centering	liter	57	57	63	66
Compensating	liter	72	71	76	76
Open	liter	27	27	27	27
Weight (without top jaws)	kg (lbs)	800 (1764)	875 (1929)	1000 (2204)	1420 (3131)
Moment of inertia	kg·m²	51.5	68.4	90.5	221.4
Compensating stroke	mm (inch)	± 3.5 (0.14")	± 3.5 (0.14")	± 3.5 (0.14")	± 3.5 (0.14")

* May not be used for clamping.

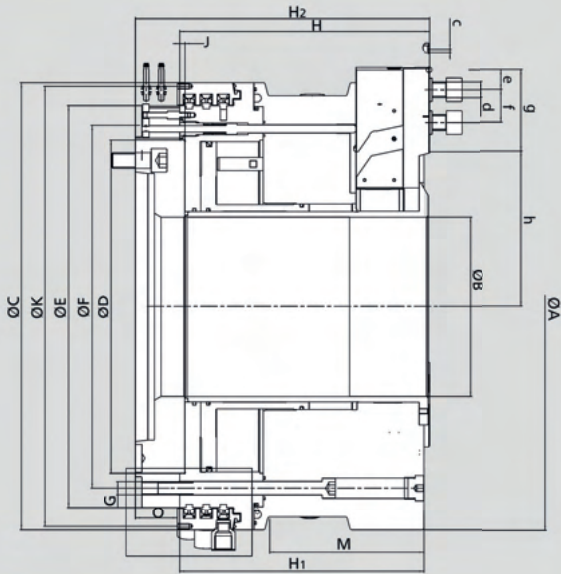
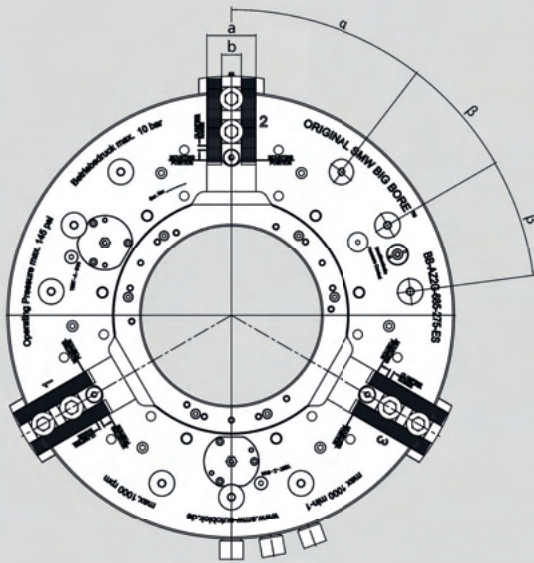


SMW-AUTOBLOK
354

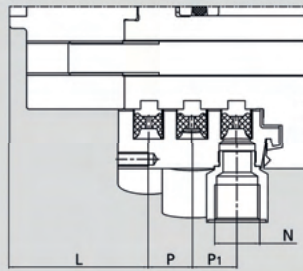
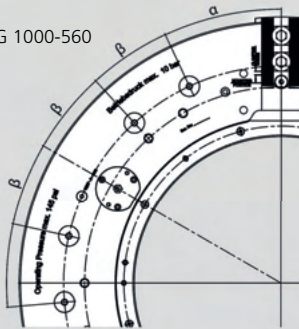
BIG BORE® BB-AZ2G

INCH SERRATION

Main dimensions and technical data



BB-AZ2G 1000-560



Subject to technical changes.
For more detailed information please ask our customer service.

All hoses must be min. 3/4" I.D.

SMW-AUTOBLOK Type			BB-AZ2G 685-275	BB-AZ2G 740-330	BB-AZ2G 800-390	BB-AZ2G 1000-560
Id. No.			054198	054308	054199	054230
Mounting			A20	A20	A20	A28
Chuck diameter	A	mm	685	740	800	1000
Through-hole	B	mm	275	330	390	560
	C	mm	685	740	775	970
	D H6	mm	510	510	590	590
	E	mm	615	669	705	705
Fixing bolts circle	F	mm	555	610	640	640
	G	mm	M20	M20	M20	M20
	H	mm	380.5	380.5	380.5	380.5
	H1	mm	372	372	379	375.5
Chuck height	H2	mm	448	448	448	448
	J	mm	8	8	8	8
Thread circle 12 x M8	K	mm	674	729	755	950
	L	mm	82	82	82	82
	M	mm	235	n.a.	n.a.	n.a.
Connection for air hoses	N	inch	G 3/4"	G 3/4"	G 3/4"	G 3/4"
	O	mm	64	64	60.5	64
	P	mm	26	26	26	26
	P1	mm	26	26	26	26
	a	mm	75	75	75	75
	b	mm	30	30	30	30
Serration	c	inch	3/32" x 90°	3/32" x 90°	3/32" x 90°	3/32" x 90°
Bolt ISO 4762 12.9	d	mm	M24	M24	M24	M24
Min.	e	mm	25	25	25	25
T-nuts distance min. / max.	f	mm	36 / 88	36 / 88	36 / 88	36 / 88
Serration length	g	mm	125	125	125	125
Min. / max.	h	mm	199 / 237.1	227.8 / 265.9	258.3 / 295.4	340.2 / 378.3
	alpha	deg.	37.5	37.5	37.5	25.0
	beta	deg.	22.5	22.5	22.5	17.5

BIG BORE® BB-FZA2G

INCH SERRATION

Front-end pneumatic 6-jaw sequence chuck EXTRA large through-hole Ø 275 - 390 mm

- Chuck size 740 - 920
- 3 integrated centering jaws and 3 compensating jaws



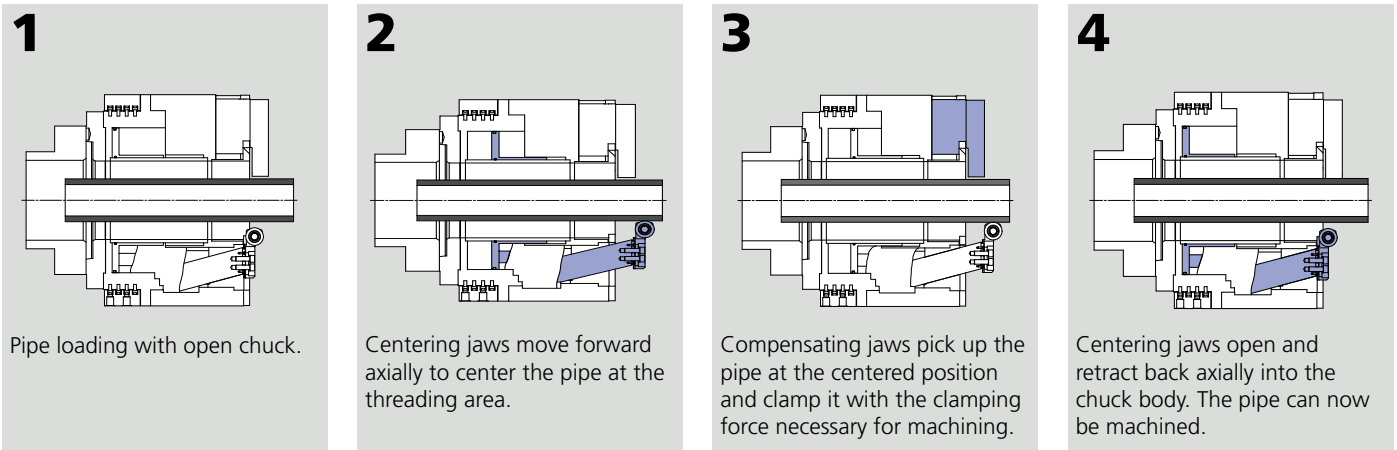
Application/customer benefits

- EXTRA long axial and radial stroke for centering jaws
- Adjustability of the axial centering position for pipe threading
- EXTRA long rapid and clamping stroke (1 1/2" total) for compensating jaws
- Stroke control for centering jaws
- Stroke control for each compensating jaw
- Pressure control

Technical features

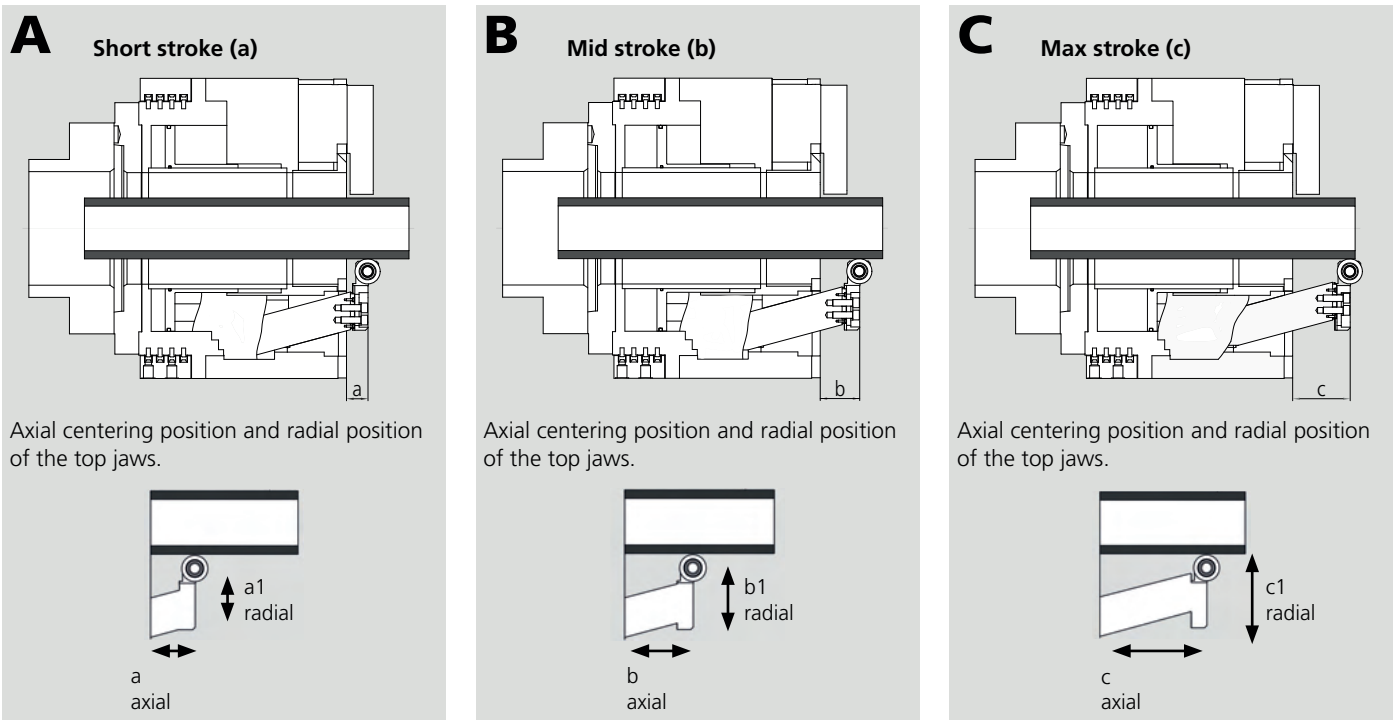
- 3+3 jaw air chuck with 3 integrated centering jaws and 3 compensating jaws
- Integrated centering jaws move axially forward to center the pipe exactly at the area to be threaded
- For external clamping only
- Fully automatic sequence is programmable
- EXTRA long jaw stroke
- Possibility to adjust the axial centering position through the radial position of the centering jaws

Machining of bent pipe with chuck with integrated centering jaws:



Adjustability of the axial centering position

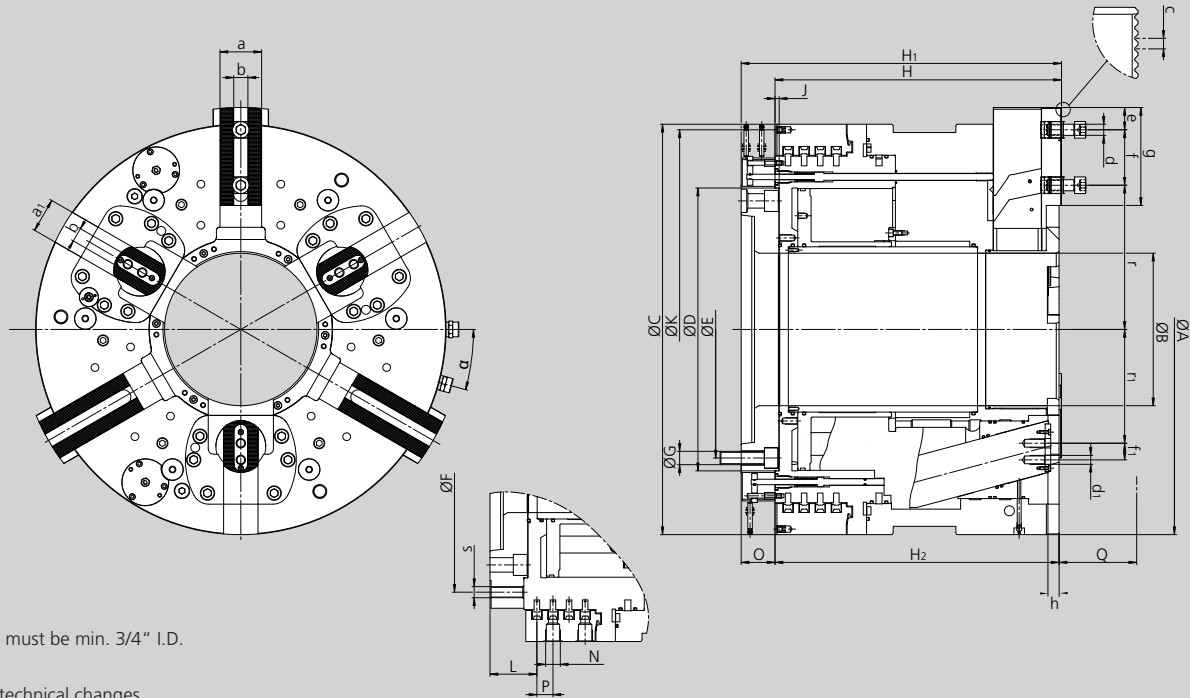
By changing the radial position of the top jaws, the axial centering position can be changed. The axial centering position is dependent from the radial adjustment of the top jaws.



BIG BORE® BB-FZA2G

INCH SERRATION

Main dimensions and technical data



* All hoses must be min. 3/4" I.D.

Subject to technical changes.
For more detailed information please ask our customer service.

SMW-AUTOBLOK Type			BB-FZA2G 740-275-A20	BB-FZA2G 800-330-A20	BB-FZA2G 920-390-A20
Id. No.			054159	054300	054228
Chuck diameter	A	mm	740	800	920
Through-hole	B	mm	275	330	390
	C	mm	740	800	920
	D	mm	510	510	550
	E	mm	463.6	463.6	463.5
	F	mm	562	615	724
	G	mm	M24	M24	M24
	H	mm	516.5	516.5	546.5
Chuck height	H1	mm	577.5	577.5	607.5
	H2	mm	512	512	542
	J	mm	7.5	7.5	7.5
	K	mm	720 / 6 x M8	780 / 6 x M8	890 / 6 x M8
	L	mm	84.5	84.5	86.5
Connection for air hoses	N	inch	G 3/4"	G 3/4"	G 3/4"
	O	mm	61	61	61
	P	mm	3x29	3x29	3x31
Centering jaws axial stroke	Q	mm	140	140	160
	a	mm	75	75	75
	a1	mm	62	62	62
	b	mm	25.5 H7	25.5 H7	25.5 H7
	c	inch	3/32" x 90°	3/32" x 90°	3/32" x 90°
Jaw mounting bolts	d	mm	M20	M20	M20
Jaw mounting bolts	d1	mm	M16	M16	M16
Min.	e	mm	30	30	30
Max.	f	mm	100	100	135
	f1	mm	30	30	30
	g	mm	176.6	176.6	190
Serration to face of chuck	h	mm	19	19	19
	r	mm	260	287.5	321
	r1	mm	205.2	232.7	270.3
	s	mm	M20	M20	M24
	alpha	deg.	15	15	15
Speed max.		r.p.m.	900	750	600
Gripping force compensating jaws at 6 bar		kN (lbf)	83 (18660)	83 (18660)	137 (30799)
Gripping force centering jaws at 6 bar		kN (lbf)	100 (22481)	114 (25628)	102 (22930)
Jaw stroke compensating jaws total		mm (inch)	38.1 (1 1/2")	38.1 (1 1/2")	38.1 (1 1/2")
Rapid stroke		mm (inch)	27.2 (1.07")	27.2 (1.07")	27.2 (1.07")
Clamping stroke		mm (inch)	10.9 (0.43")	10.9 (0.43")	10.9 (0.43")
Jaw stroke centering jaws max.		mm (inch)	37.5 (1.48")	37.5 (1.48")	42.7 (1.68")
Air consumption centering at 6 bar (87psi) max.		liter	92	92	142
Air consumption compensating at 6 bar (87psi) max.		liter	30	30	54
Weight (without top jaws)		kg (lbs)	1140 (2513)	1350 (2976)	1850 (4079)
Operating pressure min. / max.		bar (psi)	2 / 8 (29 / 116)	2 / 8 (29 / 116)	2 / 8 (29 / 116)
Moment of inertia		kg-m²	88	121	230

BIG BORE® BB-EXL-SC2G

INCH SERRATION

Front-end spring clamp power chuck EXTRA large through-hole Ø 191 - 390 mm

- Chuck size 510 - 900
- Clamping with gas springs
- Extra long rapid and clamping stroke



Application/customer benefits

- End machining of long pipes / self centering clamping
- Highest productivity / open and clamp time < 3 sec.
- Low maintenance = High availability of the machine
- Step mode for partial opening / clamping for shimming
- Full spindle bore can be used

Technical features

- Self centering clamping with either 9 / 6 / 3 gas springs
- Opening via integrated cylinder
- Permanent grease lubricated for constant grip force
- EXTRA long rapid and clamping stroke
- Low air consumption
- Stroke control
- **proofline® chucks** = fully sealed - low maintenance

Standard equipment

- Chuck with mounting bolts
- 1 set of soft top jaws
- 1 set of T-nuts and bolts

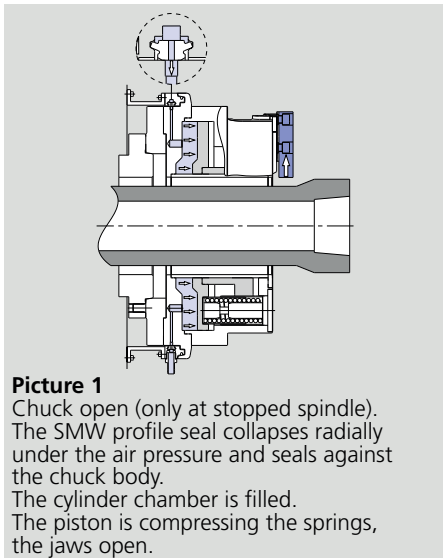
Ordering example

Big Bore BB-EXL-SC2G 900-390
Id. No. 77784388

Accessories

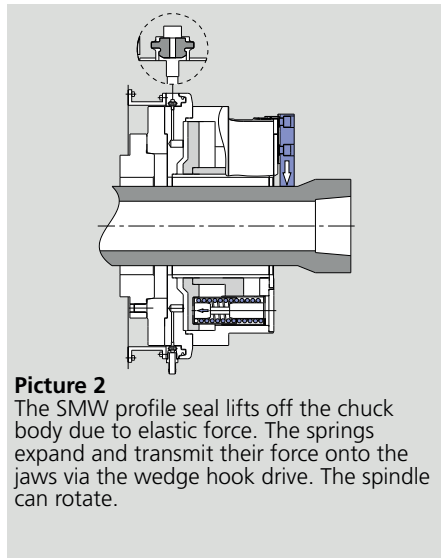
Air control

The reliable principle: Clamping via spring / opening via air cylinder



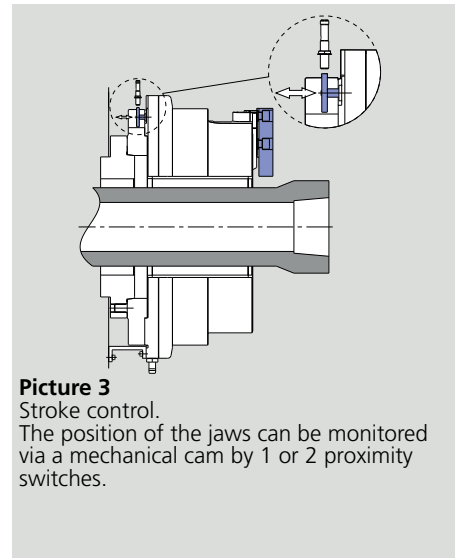
Picture 1

Chuck open (only at stopped spindle). The SMW profile seal collapses radially under the air pressure and seals against the chuck body. The cylinder chamber is filled. The piston is compressing the springs, the jaws open.



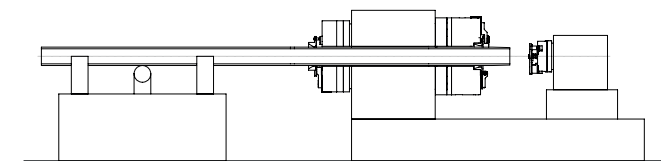
Picture 2

The SMW profile seal lifts off the chuck body due to elastic force. The springs expand and transmit their force onto the jaws via the wedge hook drive. The spindle can rotate.

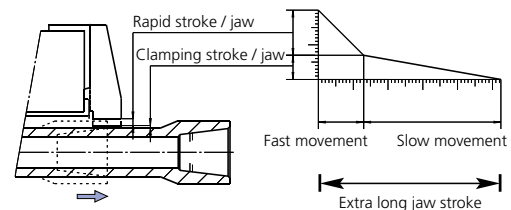


Picture 3

Stroke control. The position of the jaws can be monitored via a mechanical cam by 1 or 2 proximity switches.



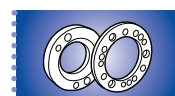
End machining of tubes with front and rear chucks



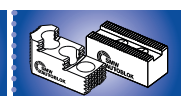
Technical data

SMW-AUTOBLOK Type		BB-EXL-SC2G 510-191		BB-EXL-SC2G 660-280		BB-EXL-SC2G 900-390				
Id. No.		77784353		77784366		77784388				
Chuck through-hole	mm (inch)	191 (7.52")		280 (11.02")		390 (15.35")				
Total stroke per jaw	mm (inch)	38.5 (1.52")		38.5 (1.52")		38.5 (1.52")				
Rapid stroke per jaw*	mm (inch)	30 (1.18")		30 (1.18")		30 (1.18")				
Clamping stroke per jaw	mm (inch)	8.5 (0.33")		8.5 (0.33")		8.5 (0.33")				
Opening pressure with all springs	bar (psi)	5 (73)		5 (73)		5 (73)				
Max. gripping force at 3 / 6 / 9 springs	kN (lbf)	57 (12814)	114 (25628)	-	82 (18434)	164 (36869)	-	82 (18434)	164 (36869)	245 (55078)
Max. speed	r.p.m.	1100		1000		680				
Air consumption to open at 5 bar (73 psi)	liter	37		92		125				
Weight (without top jaws)	kg (lbs)	318 (701)		500 (1102)		950 (2094)				
Moment of inertia	kg·m ²	14		36		117				

* May not be used for clamping.



SMW-AUTOBLOK
369



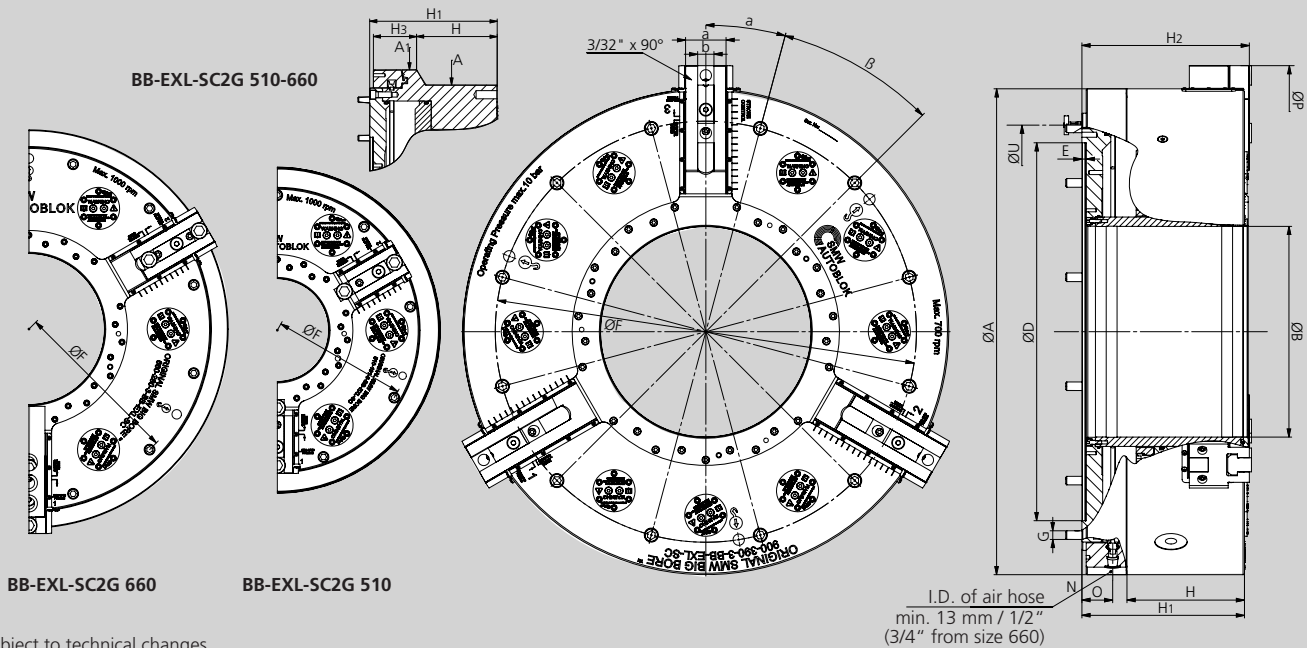
SMW-AUTOBLOK
362

BIG BORE® BB-EXL-SC2G

INCH SERRATION

Main dimensions and technical data

Opening pressure with all springs mounted
Min. 5 bar, max. 8 bar

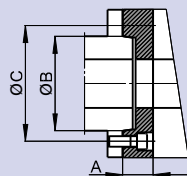


Subject to technical changes.
For more detailed information please ask our customer service.

SMW-AUTOBLOK Type	BB-EXL-SC2G 510-191		BB-EXL-SC2G 660-280		BB-EXL-SC2G 900-390	
Mounting	Z310		Z450		Z700	
Through-hole	A	mm	532	673	900	
	A1	mm	610	738	-	
	B	mm	191	280	390	
	D H6	mm	310	450	700	
	E	mm	8	8	8	
	F	mm	502	632	780	
	G	mm	M12 (9x)	M12 (12x)	M16 (12x)	
	H	mm	170	152	215	
	H1	mm	272	272	301	
	H2	mm	279	279	310	
Max. swing	N	inch	G 1/2"	G 1/2"	G 1/2"	
	O	mm	47	47	57	
	P	mm	604	760	986	
	a	mm	57	62	75	
	b	mm	25.5	25.5	30	
	alpha	deg.	20	15	15	
Rapid stroke	beta	deg.	9 x 40°	12 x 30°	12 x 30°	
	U	mm	414	554	765	
	Rapid stroke	mm	30	30	30	
	Clamping stroke	mm	8.5	8.5	8.5	
Total clamping stroke	mm	38.5	38.5	38.5		

Spindle adapters

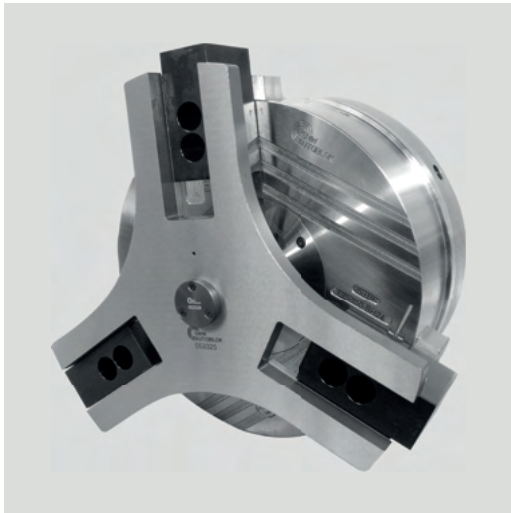
Spindle adapters
ISO-A DIN 55026



SMW-AUTOBLOK Type	BB-EXL-SC2G 510-191			BB-EXL-SC2G 660-280			BB-EXL-SC2G 900-390	
Spindle nose	A11	A15	A20	A11	A15	A20	A15	A20
Id. No.	24115130	24125130	24175130	24116630	24126630	24176630	24128830	24178830

INCH SERRATION

■ With integrated dampener



Application/customer benefits

- Axial positioning and centering of tubes when a BB-AZ2G chuck on the main spindle is used in compensating clamping mode
- Integrated hydraulic dampener with fixed end position for controlled deceleration and positioning of tubes
- Suitable for O.D. and I.D. centering

Technical features

- Stationary pneumatic clamping unit with integrated dampener / end stop
- Operating pressure 2 - 10 bar (29 - 145 psi)
- Monitoring of end position of the axial stop via prox. switch (prox. switch optional)

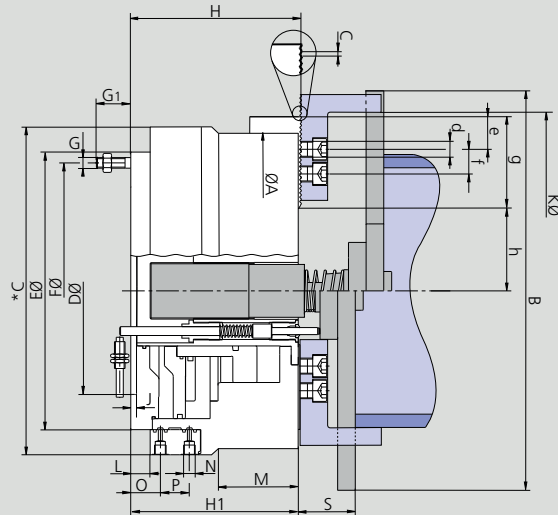
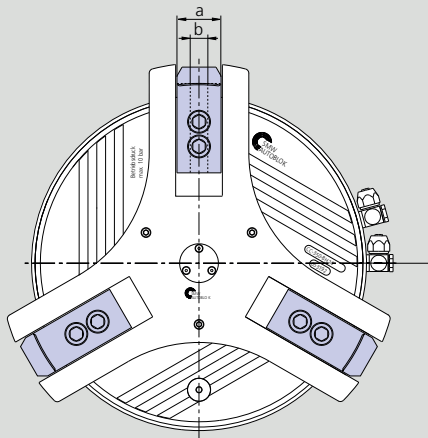
Standard equipment

3-jaw centering chuck
1 set of soft top jaws

Ordering example

Stationary centering chuck CC-350

* Chuck CC-240 has fixed positioned connections.



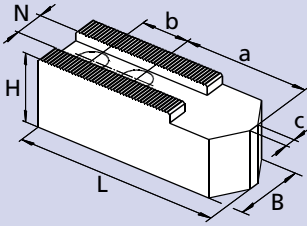
Subject to technical changes.
For more detailed information please ask our customer service.

SMW-AUTOBLOK Type		CC 240 Z	CC 350 Z	CC 470 Z
Id. No.		053290	053192	054470
	A	mm	240	470
	B	mm	306	550
	C	mm	250	n.a.
	D H6	mm	195	310
	E	mm		400
	F	mm	223.8	374
	G/G1	mm	M12 / 39	M12 / 26
	H	mm	135.5	239.5
	H1	mm	134	238
	J	mm	6.5	8
Clamping Ø max.	K	mm	245	507
	L	mm	-	20
	M	mm	49	n.a.
Pneumatic connection	N	inch	G 1/4"	G 1/2"
Min. / max.	S	mm	45 / 95	50.5 / 152.5
	a	mm	40	60
	o	mm	74	37
	p	mm	-	26
	b f7	mm	17	25.5
Serration	c	inch	1/16" x 90°	3/32" x 90°
Bolts ISO 4762 12.9	d	mm	M12 x 30	M20 x 45
Min.	e	mm	9.5	15
T-nut distance min. / max.	f	mm	22 / 41.5	35 / 68
Length of serration	g	mm	59	99
Min. / max.	h	mm	53 / 66	128 / 153
Stroke / jaw		mm (inch)	12.7 (0.5")	24 (0.94")
Pressure min. / max.		bar (psi)	2 / 10 (29 / 145)	2 / 10 (29 / 145)
Piston area		cm ²	290	652
Max. gripping force at 6 bar (closing)		kN (lbf)	20 (4496)	31 (6969)
Air consumption / jaw stroke at 6 bar		liter	5.5	21
Weight (without top jaws)		kg (lbs)	53 (11915)	260 (58450)

- Top jaws
- T-nuts

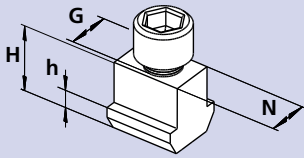
INCH SERRATION

MWB-D / MAB-D
Soft top jaws



Chuck Type	CC 240 Z	CC 350 Z	CC 470 Z
Jaw type	MWB-D 240	MWB-D 250	MAB-D 2505
Jaw Id. No. (set)	233462	013491	081603
B	40	50	60
H	80	80	120
L	90	120	155
N	17	21	25.5
Serration	1/16" x 90°	1/16" x 90°	3/32" x 90°
a	20	62	94
b	22	28	35
kg / set	4.2	10.5	21.5

NST
T-nuts



Chuck Type	CC 240 Z	CC 350 Z	CC 470 Z
T-nut type	NST 17-4	NST 21-5	NST 21-5
T-nut Id. No. / piece	013864	033429	014812
N	17	21	25.5
H	26.5	30	29
h	9.5	11	11
G	M12	M16	M20
Bolt ISO 4762 12.9	M12 x 30	M16 x 35	M20 x 40

JAWS-CATALOG
Request or download:
www.smw-autoblok.de

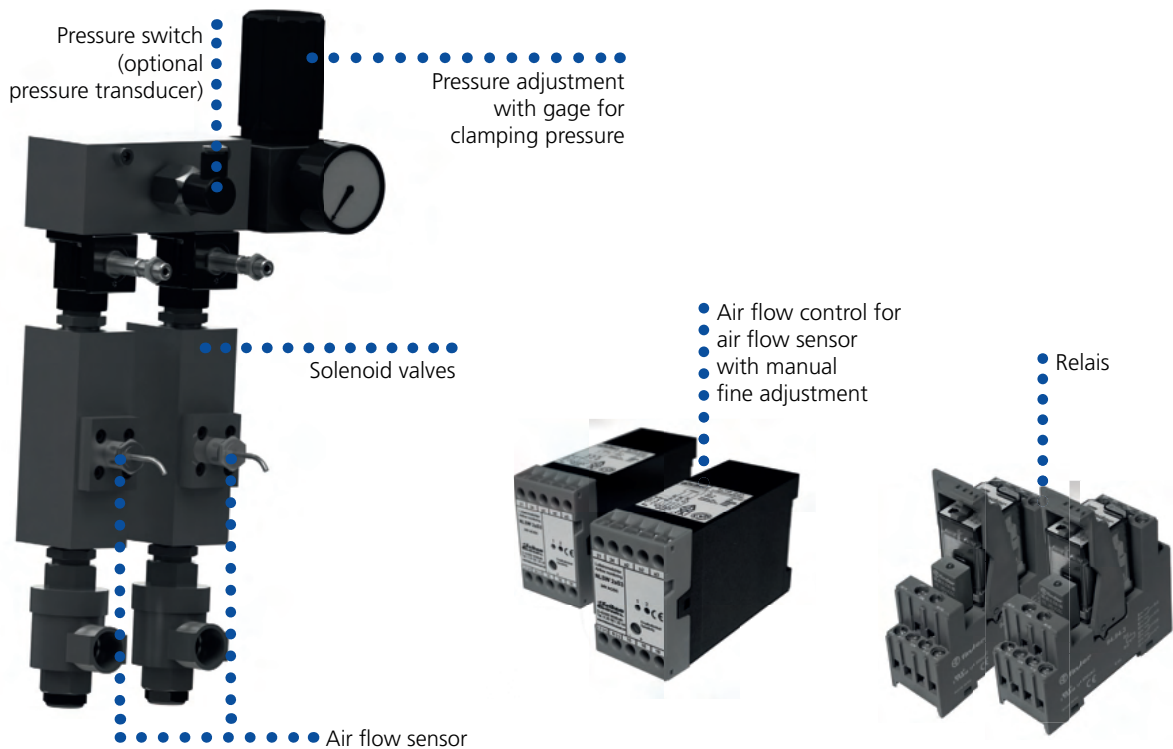
AC-BB

Safety control unit for SP and Big Bore chucks

- Electronic safety control unit
- For SP and Big Bore chucks
- Without pressure control
- Without stroke control

Electropneumatic control unit for SP and Big Bore® chucks

- 1/2" or 3/4" design for SP and Big Bore chucks
- Actuation via foot pedal or push button (not included in the supply range)
- Clamping control via air flow sensors
- Quick chuck actuation via diaphragm valves with quick exhaust
- Airflow control with LED for ready and air flow. Adjustable air flow sensor sensitivity



SMW-AUTOBLOK Type	Voltage	Size	Id. No.
AC-BB	24 V	1/2"	202342
AC-BB	110 V	1/2"	202343
AC-BB	220 V	1/2"	202344
AC-BB	24 V	3/4"	202837
AC-BB	110 V	3/4"	202838
AC-BB	220 V	3/4"	202839

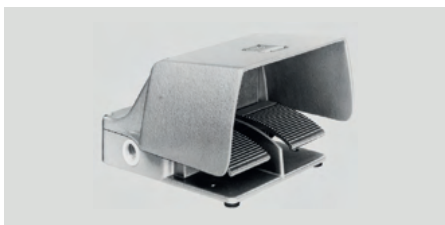
Standard equipment:

as shown, without hoses and fittings

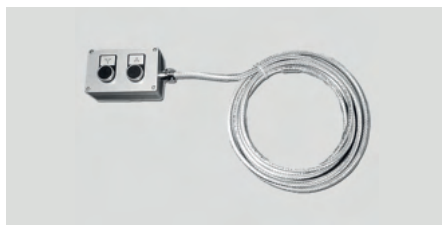
Approx. dimensions (w x h x d)
222 x 465 x 128 mm

Accessories:

Foot pedal F2 with 4 m cable
Id. No. 013324



Push button with 5 m cable
Id. No. 192942



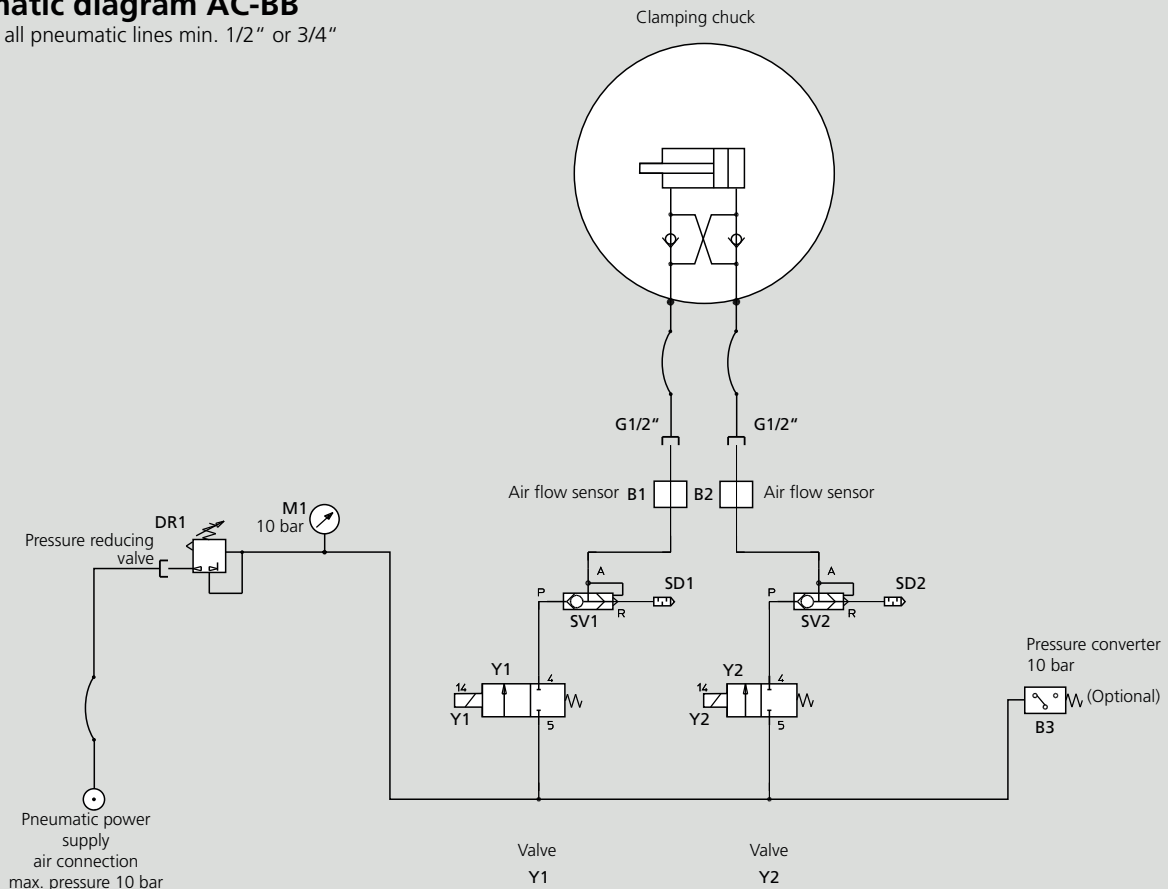
Air service unit
Id. No. 1/2" 192074,
Id. No. 3/4" 199790



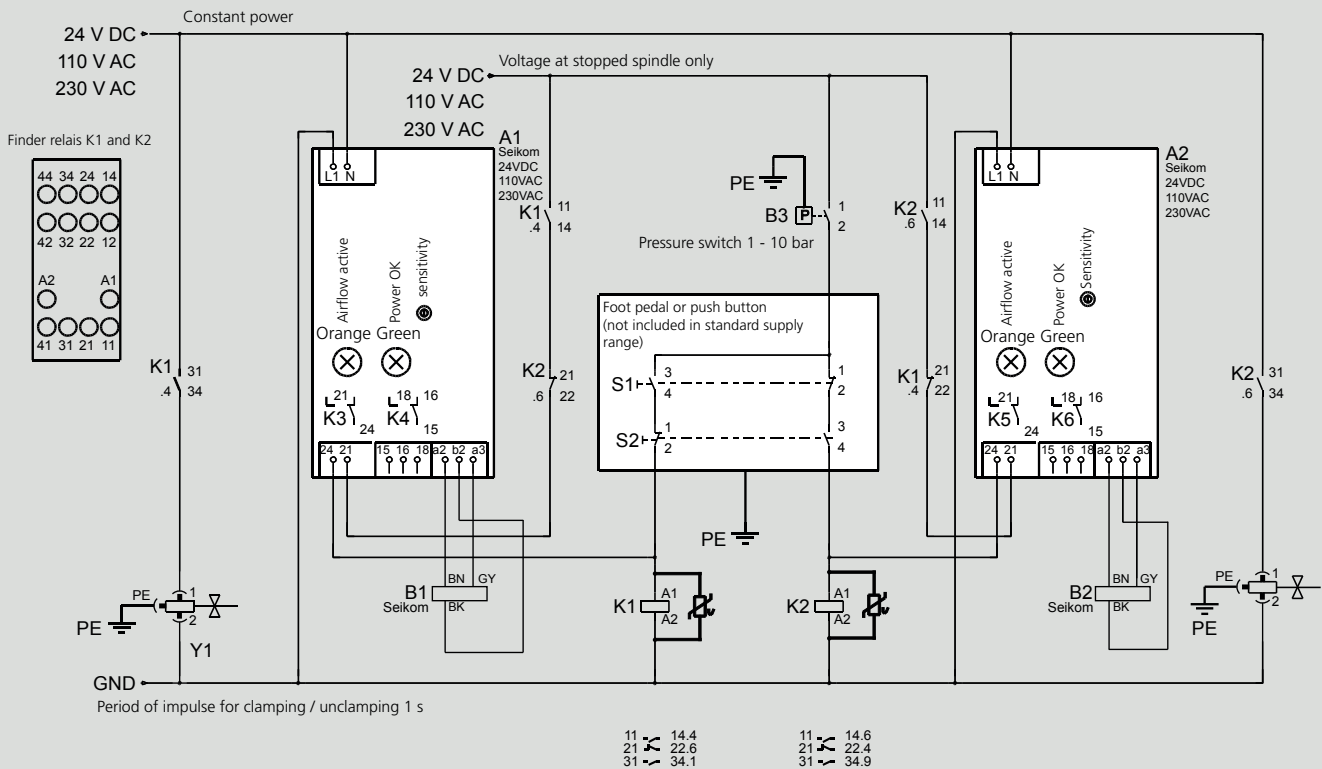
- Pneumatic diagram
- Wiring diagram

Pneumatic diagram AC-BB

△ Size of all pneumatic lines min. 1/2" or 3/4"



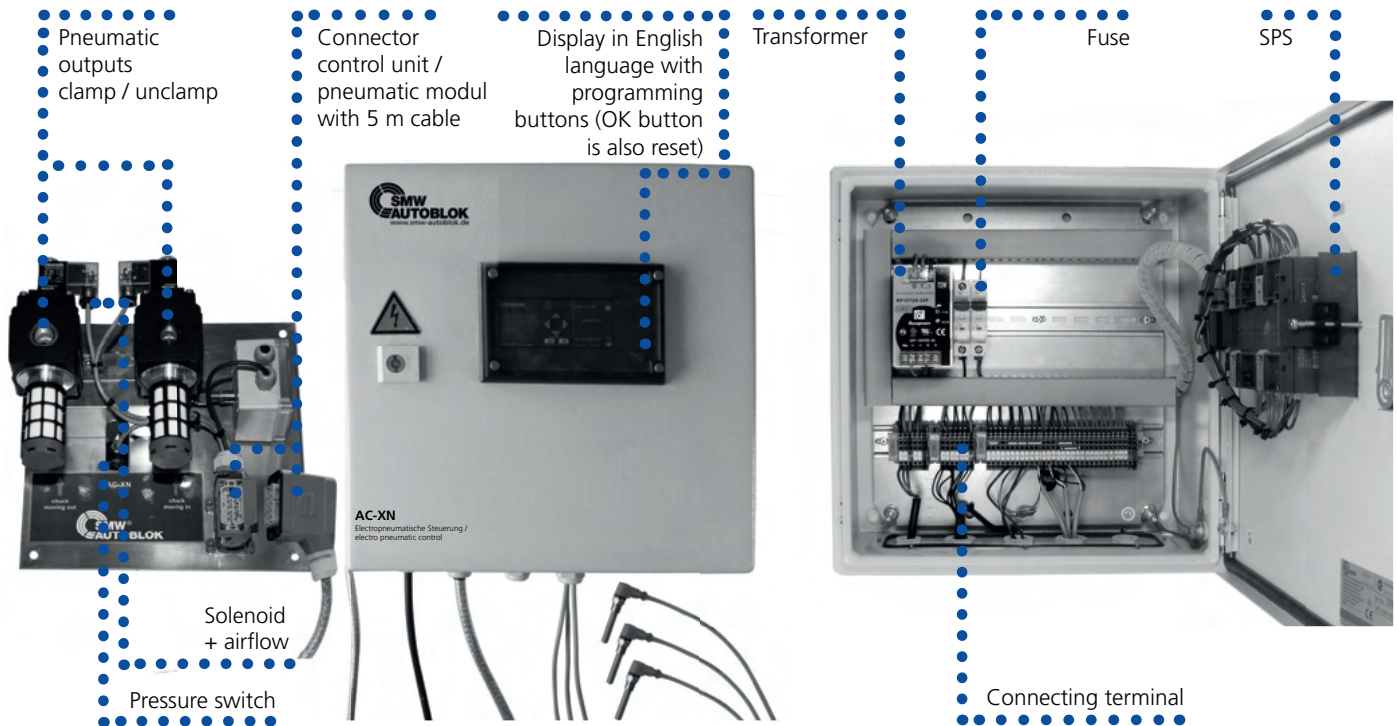
Wiring diagram AC-BB



- Electronic safety control unit
- For Big Bore chucks
- Proximity switch for pressure and stroke control signals

Universal, electronic micro-processor compact control unit for Big Bore chucks in 1/2" / 3/4" design

- All safety systems integrated
- Easy installation - no other devices needed
- Can be connected to all common voltages
- LCD display in English language
- Quick chuck actuation by 1/2" / 3/4" pneumatic parts
- To be actuated by an external signal

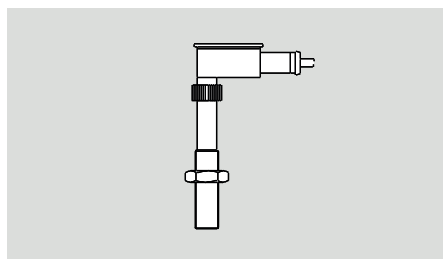


Accessories:

Foot pedal F2
with 4 m cabel
Id. No. 013324

Proximity switch for pressure and stroke control signals M8 x 1
Id. No. 203500

Air service unit 1/2"
Id. No. 192074
Air service unit 3/4"
Id. No. 199790



Order review:

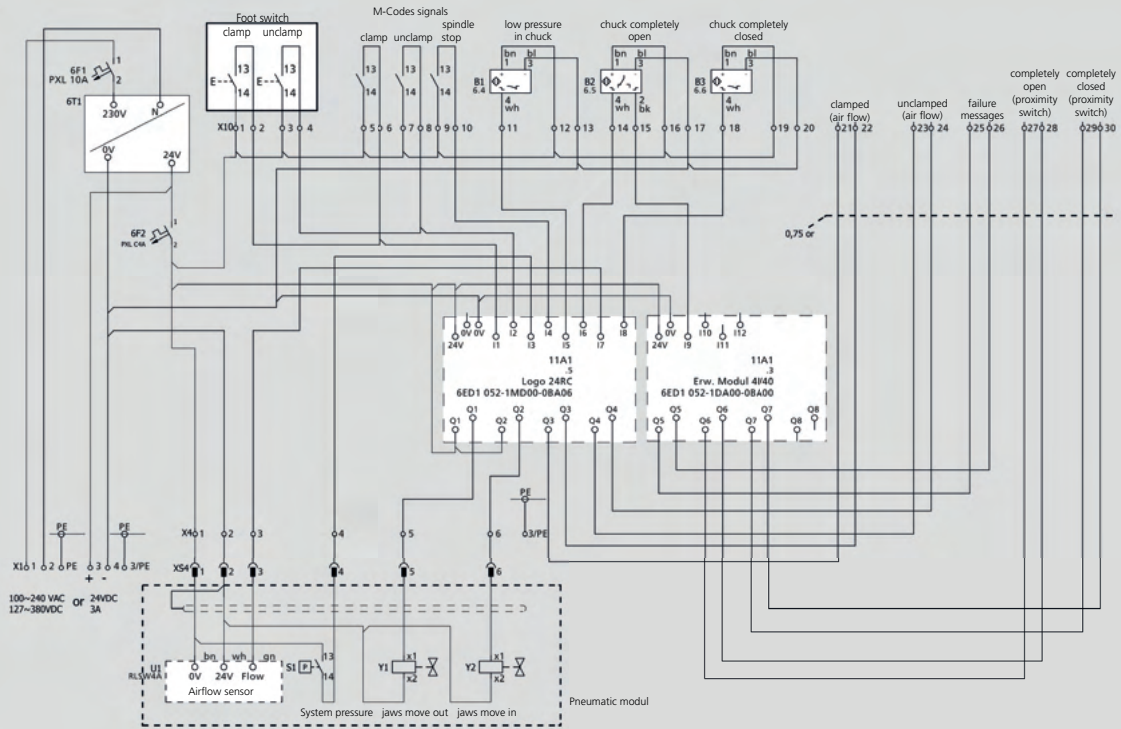
Control unit AC-XN complete 1/2"	Id. No. 203491
Control unit AC-XN complete 3/4"	Id. No. 203490

Standard equipment:

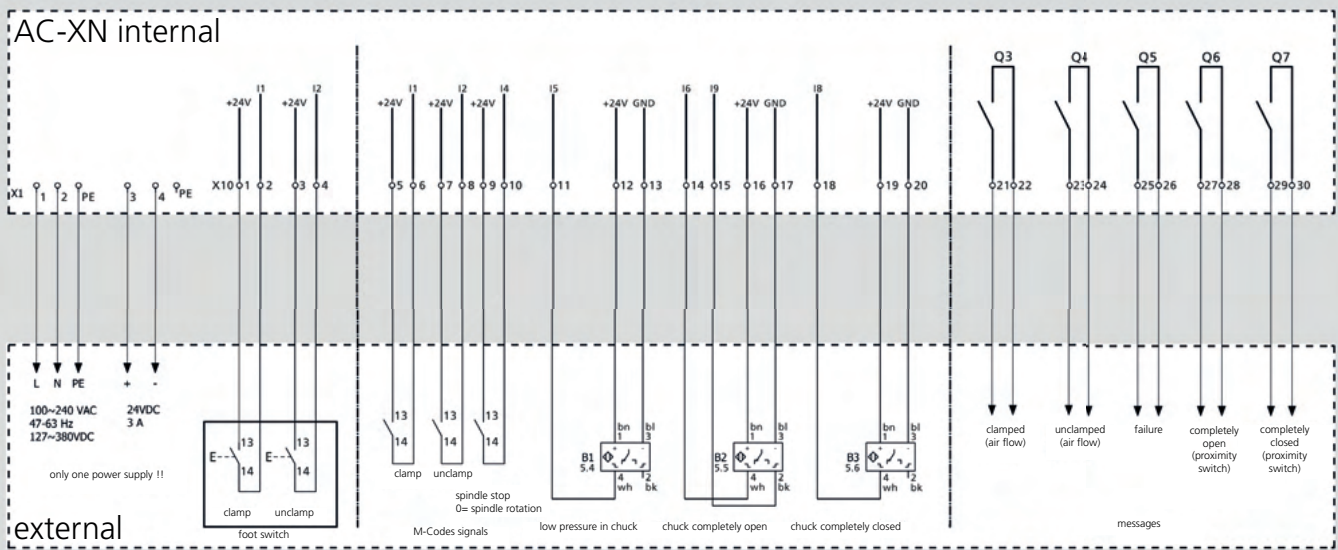
- Control unit**
W x H x D = 380 x 380 x 220 mm
- Pneumatic module 1/2" or 3/4"**
W x H x D = 300 x 300 x 130 mm
- 3 pcs. Proximity switch M8 x 1**
(Id. No. 203500) included in supply range

- Pneumatic diagram
- Electric diagram

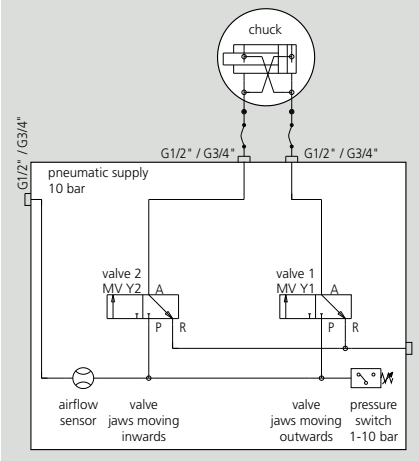
Electric connection AC-XN



Electric diagram AC-XN



Pneumatic diagram AC-XN



SF-RZ

2 Position hydraulic ring indexing chuck

- 3 self-centering jaws
- Large evacuation windows for easy chip flow
- Fully automatic and controlled indexing



Application/customer benefits

- Machining of couplings up to 5 1/2" (SF-RZ 400) or 8" (SF-RZ 600) in one set-up
- Indexing 180°
- 3 self-centering jaws external clamping
- Compact design and light weight
- Standard mounting for easy retrofit on existing machines

Technical features

- Hydraulic operated, automatic ring indexing chuck
- All functions controlled by proximity switches
- Extremely accurate and rigid indexing mechanism
- Optional: Pendulum clamping inserts, central coolant supply

Standard equipment

Chuck with mounting bolts

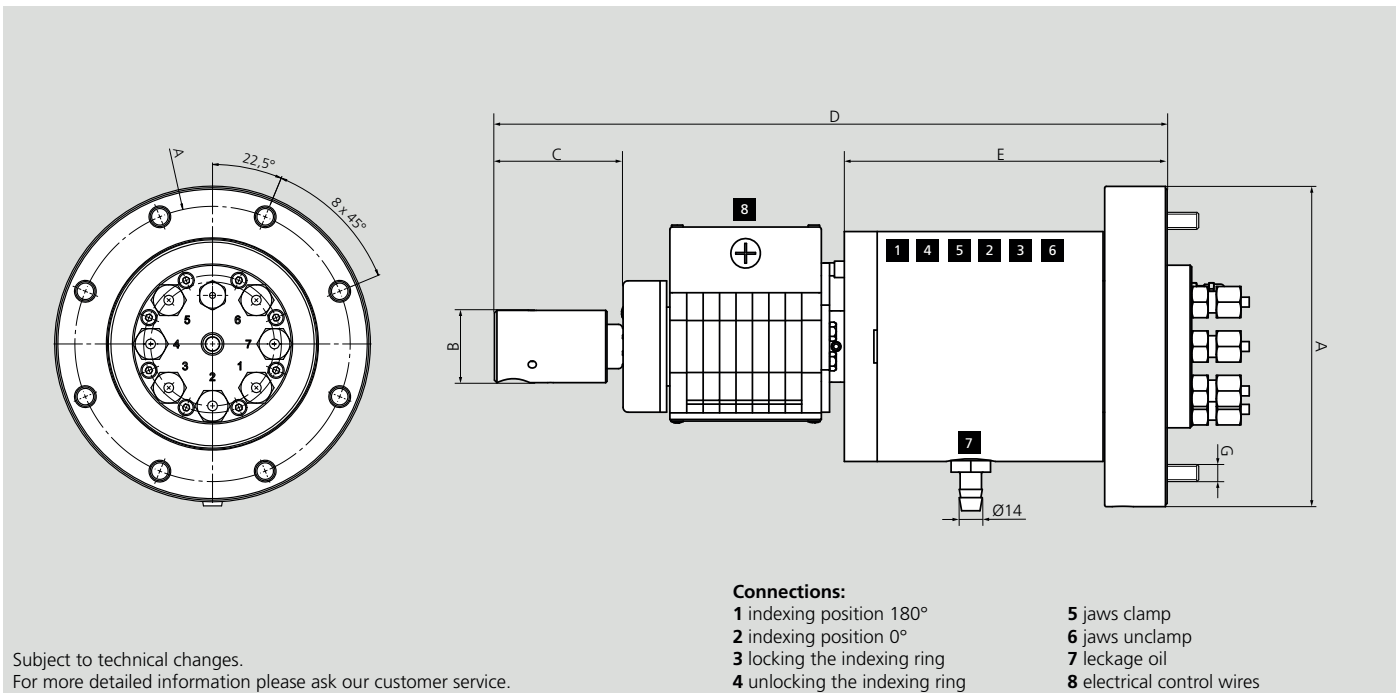
Ordering example

SF-RZ 400

Accessories

7-way oil distributor
Connection kit for coolant supply

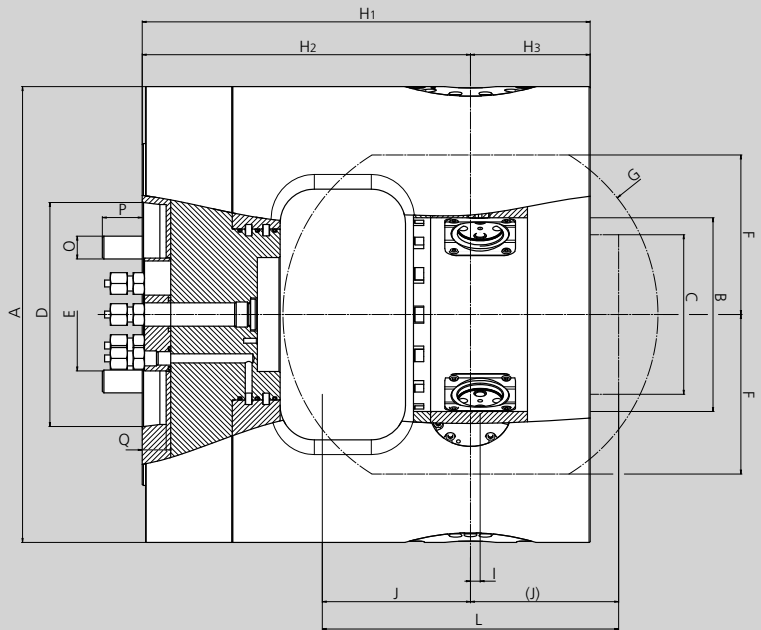
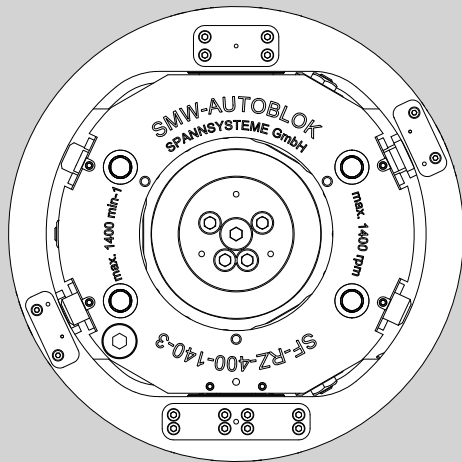
MDV 65 7-way oil distributor



SMW-AUTOBLOK Type	MDV 65	
Id. No.	045920	
A	mm	195
B	mm	44
C	mm	78.3
D	mm	331.2
E	mm	196.5
F	mm	170
G	mm	8 x M12
Max. speed	r.p.m.	1400
Weight	kg	28

For exact position of the connecting ports, please ask for a customer drawing.
All ports (1 - 6) are G 3/8".

Main dimensions and technical data



Subject to technical changes.
For more detailed information please ask our customer service.

SMW-AUTOBLOK Type			SF-RZ 400	SF-RZ 600
Id. No.			054394	054680
Chuck O.D.	A	mm	400	600
Indexing ring I.D.	B	mm	170	290
Max. workpiece O.D.	C	mm	140	205
Spindle mounting	D		A11	A15
Connection flange O.D.	E	mm	99	99
Height indexing ring	F	mm	140	205
Swing indexing ring	G	mm	329	459
	H1	mm	393	463
	H2	mm	288	358
Indexing axis	H3	mm	105	105
Jaw axis to indexing axis	I	mm	8.5	13.5
	K	mm	130	165
Max. length of workpiece	L	mm	260	330
Jaw stroke	M	mm	5.7	7.5
Mounting bolts	O	mm	M20	M24
	P	mm	35	40
	Q	mm	21	23
Max. speed		r.p.m.	1400	1200
Max. pressure		bar	50	50
Max. clamping force		kN	120	180
Weight		kg	225	565
Moment of inertia		kg·m ²	6	31

2 Position hydraulic ring indexing chuck

- 3 self centering and 3 compensating jaws
- Large evacuation windows for easy chip flow
- Fully automatic and controlled indexing
- Hydraulic actuation



Application/customer benefits

- Machining of couplings in one set up
- Indexing 180° in 2 seconds
- 6-jaw clamping for perfect roundness of the coupling = ideal for premium threads
- High-Low clamping (roughing-finishing)

Technical features

- Hydraulic, automatic ring indexing chuck
- All functions controlled by proximity switches
- Extremely accurate and rigid indexing mechanism
- For external clamping only
- Automatic central lubrication

Standard equipment

Chuck with mounting bolts

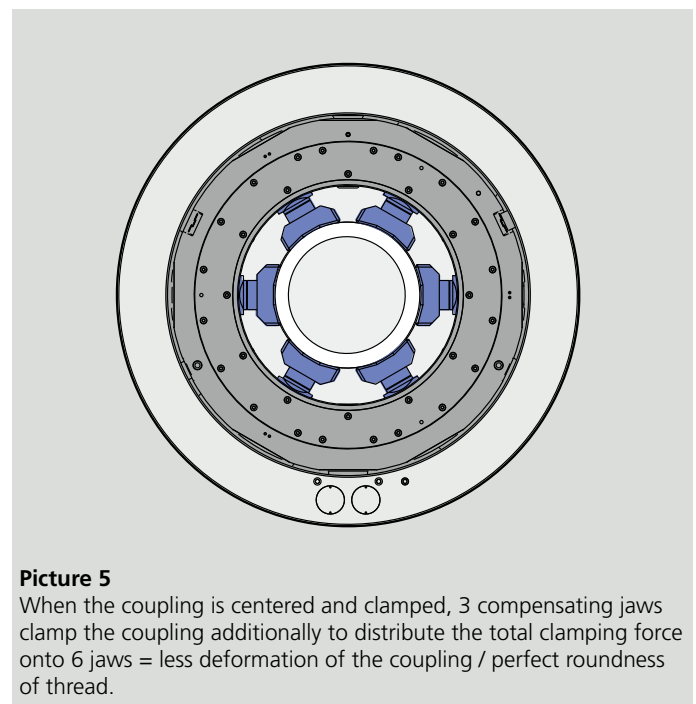
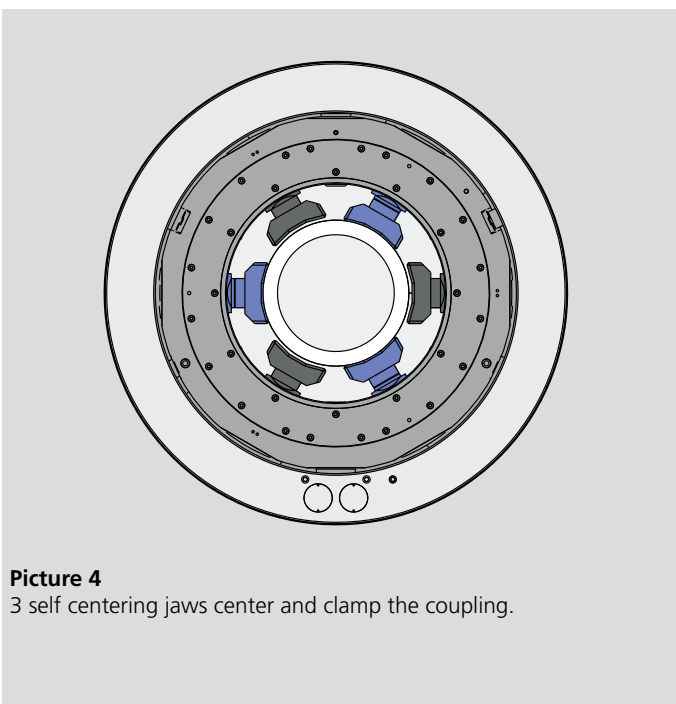
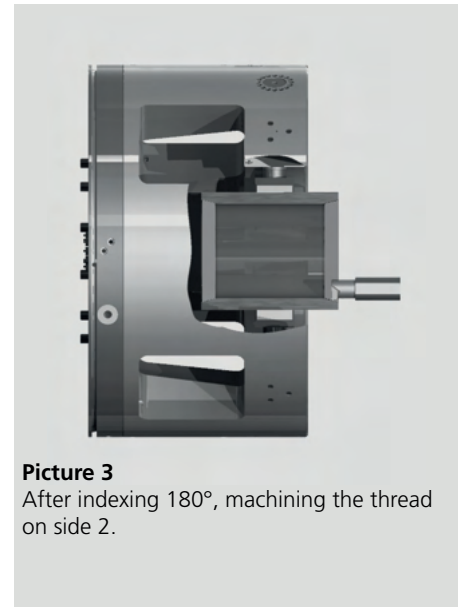
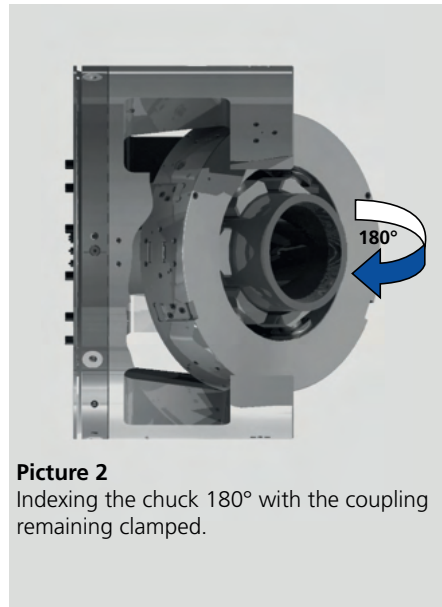
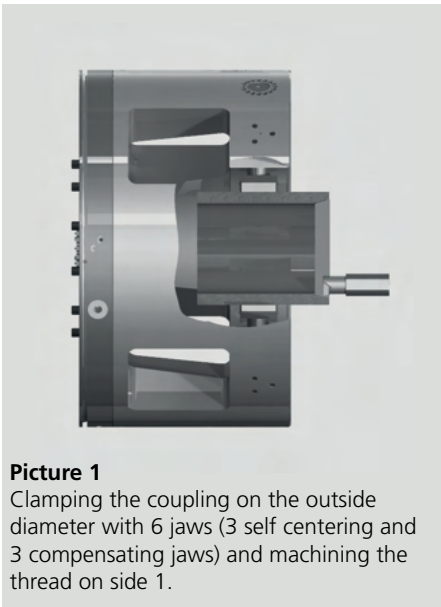
Ordering example

SF-RAZ 950-3+3 A 20

Accessories

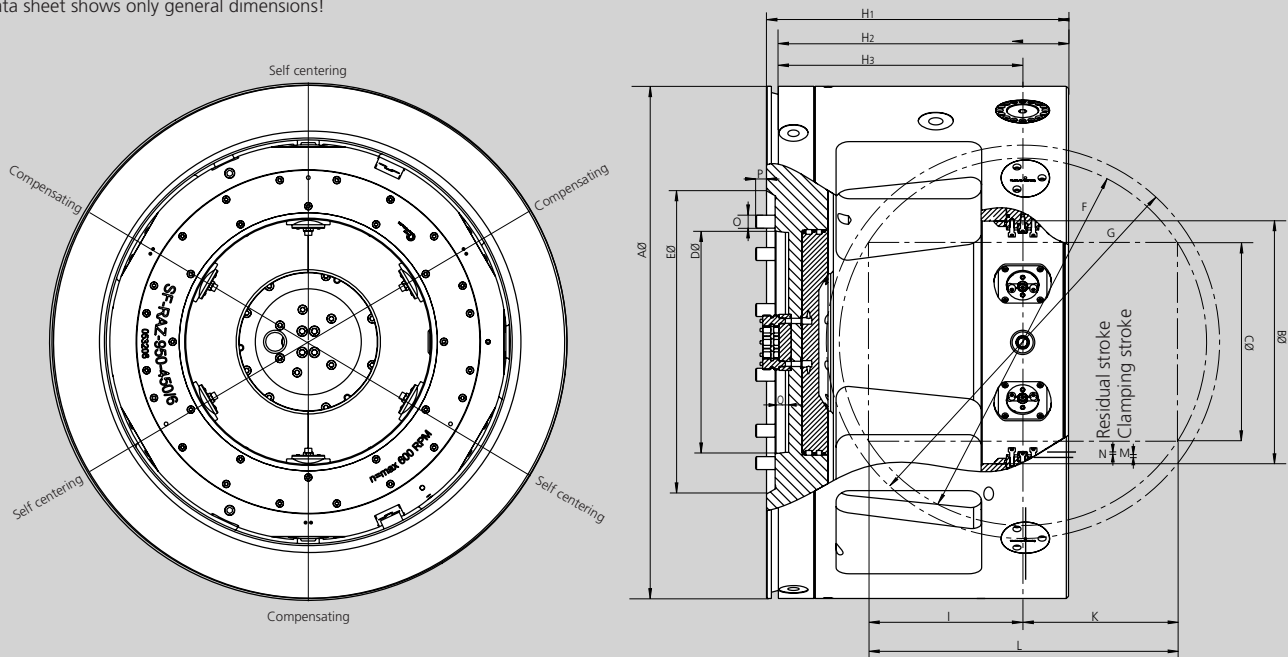
Hydraulic manifold including electric manifold, hose kit

Machining of a coupling in one set up:



Main dimensions and technical data

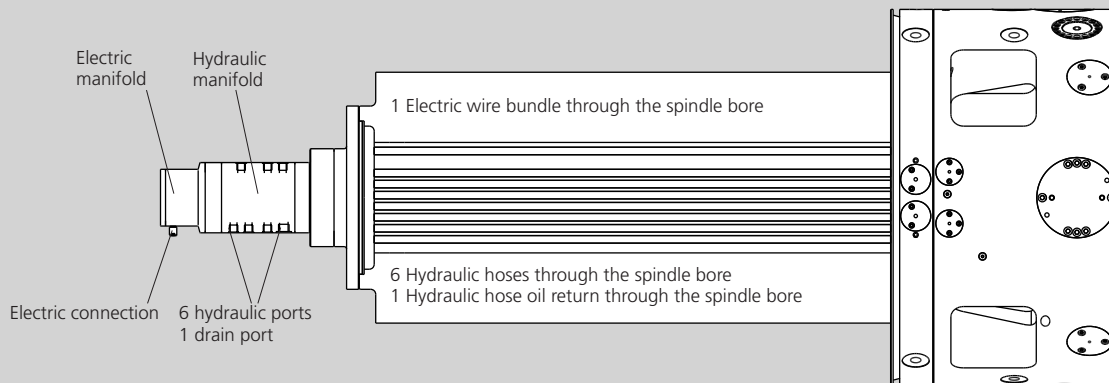
Data sheet shows no jaw dimensions and radial covers for switches and adjustments.
Data sheet shows only general dimensions!



Subject to technical changes.
For more detailed information please ask our customer service.

SMW-AUTOBLOK Type			SF-RAZ 750	SF-RAZ 840	SF-RAZ 950	SF-RAZ 1050
Id. No.			053090	053097	053206	053900
Chuck O.D.	A	mm	750	840	950	1050
Indexing ring I.D.	B	mm	250	340	450	550
Max. workpiece O.D.	C	mm	185	275	368	468
Spindle mounting	D		A15	A15	A20	A20
Recess for spindle O.D.	E	mm	435	435	562	562
Max. swing workpiece	F	mm	480	570	680	780
Swing indexing ring	G	mm	526	618	728	828
	H1	mm	456	501	560	610
	H2	mm	440	485	544	594
	H3	mm	355	400	459	509
	I	mm	221.5	250	286	312
	K	mm	221.5	250	286	312
Max. length of workpiece	L	mm	443	500	572	624
Rec. clamping stroke	M	mm	5.5	5.5	5.5	5.5
Recom. residual stroke	N	mm	4.5	4.5	4.5	4.5
Total jaw stroke	S	mm	10	10	10	10
Mounting bolts	O	mm	M24	M24	M24	M24
	P	mm	37	37	36	36
Max. speed		r.p.m.	800	700	600	530
Max. pressure		bar (psi)	70 (1015)	70 (1015)	70 (1015)	70 (1015)
Max. grip force		kN (lbf)	250 (56202)	250 (56202)	250 (56202)	250 (56202)
Weight		kg (lbs)	1018 (2244)	1200 (2646)	1650 (3638)	2155 (4751)

Installation of SF-RAZ with hydraulic manifold, electric manifold and hose kit: (All these accessories must be ordered separately)

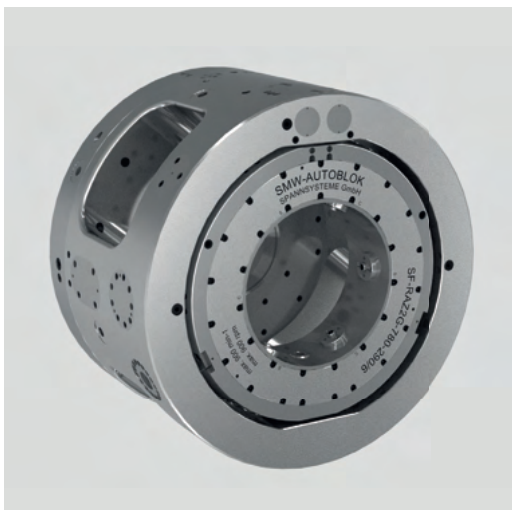


SF-RAZ2G

TONGUE & GROOVE

2 Position hydraulic ring indexing chuck

- 3 self-centering and 3 compensating jaws
- Very compact design
- Fully automatic and controlled indexing
- Hydraulic actuation



Application/customer benefits

- Machining of couplings in one set-up
- Indexing 180° in 2 seconds
- 6-jaw clamping for perfect roundness of the coupling = ideal for premium threads
- High-Low clamping (roughing - finishing)
- Central coolant supply available on request

Technical features

- Better chuck to workpiece dia. ratio
- Less chuck weight on the spindle
- Extremely accurate and rigid indexing mechanism with locking system free of clearance
- All functions controlled by proximity switches
- For external clamping only
- Automatic central lubrication

Standard equipment

Chuck with mounting bolts

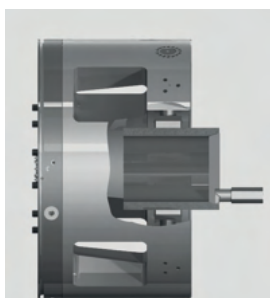
Ordering example

SF-RAZ2G 710

Accessories

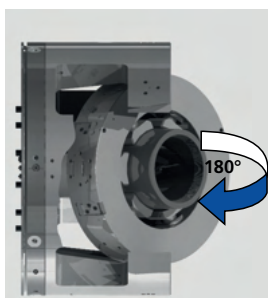
Hydraulic manifold including electric manifold, hose kit

Machining of a coupling in 1 set-up:



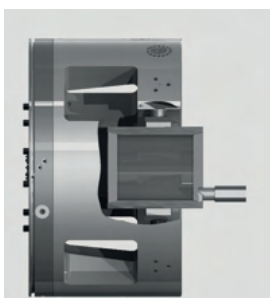
Picture 1

Clamping the coupling on the outside diameter with 6 jaws (3 self centering and 3 compensating jaws) and machining the thread on side 1.



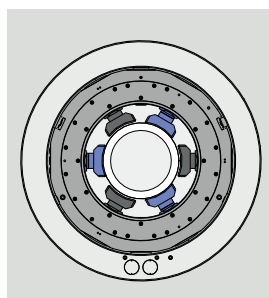
Picture 2

Indexing the chuck 180° with the coupling remaining clamped.



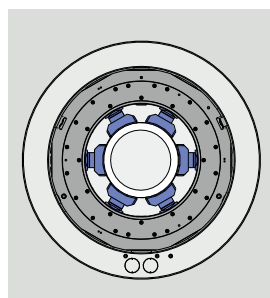
Picture 3

After indexing 180°, machining the thread on side 2.



Picture 4

3 self centering jaws center and clamp the coupling.



Picture 5

When the coupling is centered and clamped, 3 compensating jaws clamp the coupling additionally to distribute the total clamping force onto 6 jaws = less deformation of the coupling / perfect roundness of thread.

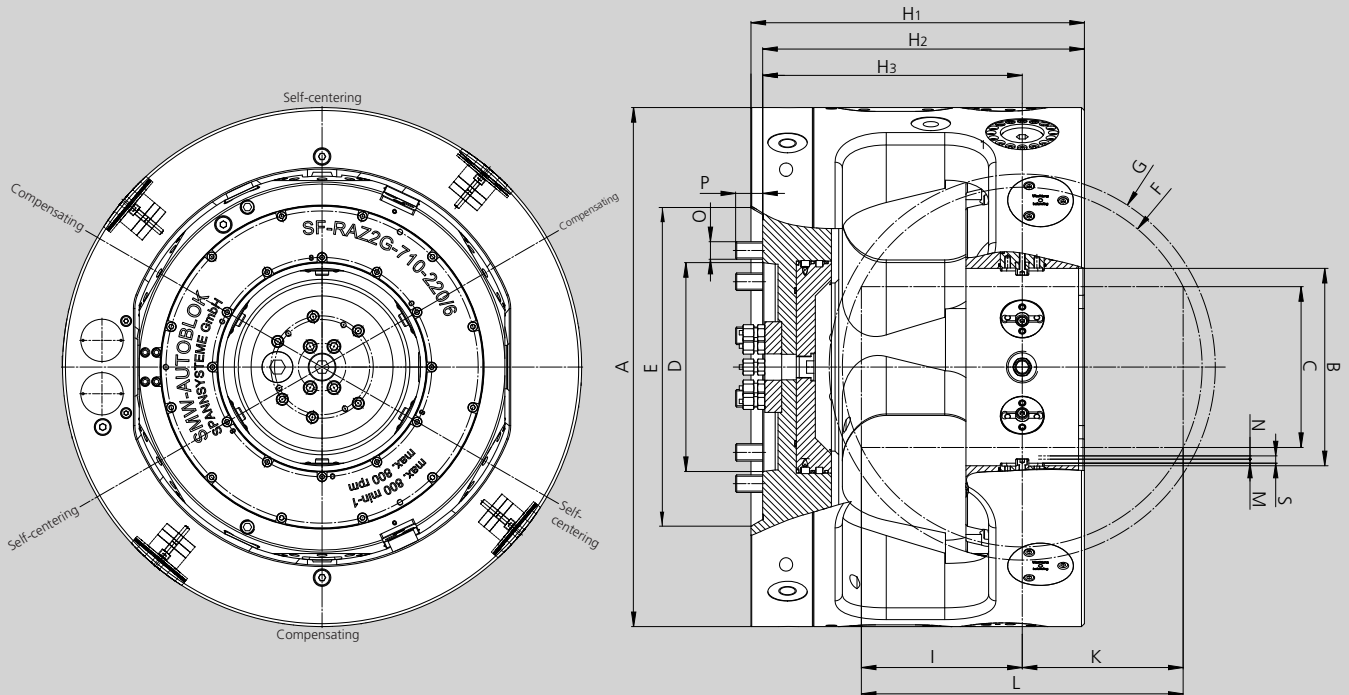
Technical data

SMW-AUTOBLOK Type		SF-RAZ2G 710-220	SF-RAZ2G 780-290	SF-RAZ2G 880-390	SF-RAZ2G 1100-570
Id. No.		054720	055170	054819	on request*
Number of jaws		3+3	3+3	3+3	3+3
Chuck O.D.	mm	710	780	880	1.100
Stroke per jaw	mm	10	10	10	10
Pressure max.	bar	70	70	70	70
Clamping force at 50 bar	kN	175	175	175	175
Clamping diameter max.	mm	220	290	390	570
Speed max.	r.p.m	1100	900	700	(*)
Weight	kg	800	~ 1.015	~ 1.380	~ 2.155
Coupling size / label size	inch	7 1/2"	9 5/8"	13 3/8"	20
Wall thickness (calc.)	mm	14.75	20	25	31

* Detailed dimensions on request.

Main dimensions and technical data

Data sheet shows no jaw dimensions and radial covers for switches and adjustments.
Data sheet shows only general dimensions!

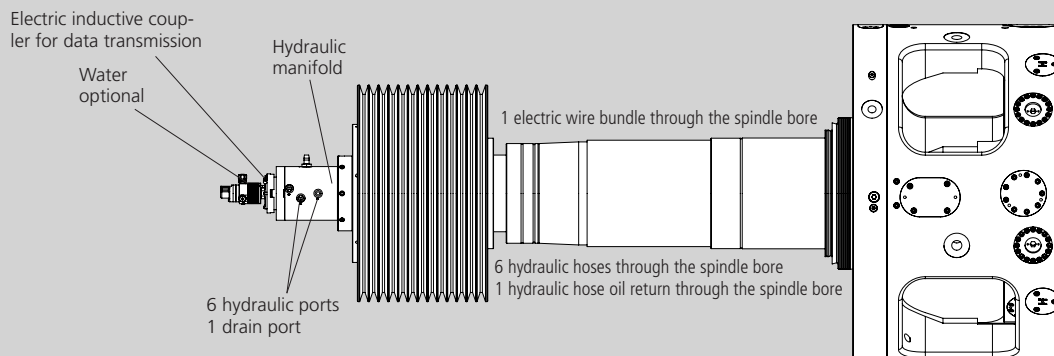


Subject to technical changes.
For more detailed information please ask our customer service.

SMW-AUTOBLOK Type			SF-RAZ2G 710-220	SF-RAZ2G 780-290	SF-RAZ2G 880-390	SF-RAZ2G 1100-570
Id. No.			054720	055170	054819	on request*
Chuck O.D.	A	mm	710	780	880	1100
Indexing ring I.D.	B	mm	270	340	440	
Max. workpiece O.D.	C	mm	220	290	390	570
Spindle mounting	D		A15	A15	A15	
Recess for spindle O.D.	E	mm	435	435	550	
Max. swing workpiece	F	mm	492	550	650	
Swing indexing ring	G	mm	528	598	698	
	H1	mm	456	491	555	
	H2	mm	440	475	539	
	H3	mm	355	390	454	
	I	mm	220	233.7	260	
	K	mm	220	233.7	260	
Max. length of workpiece	L	mm	440	467.4	520	
Rec. clamping stroke	M	mm	5.5	5.5	5.5	
Recom. residual stroke	N	mm	4.5	4.5	4.5	
Total jaw stroke	S	mm	10	10	10	
Mounting bolts	O	mm	M24	M24	M24	
	P	mm	37	37	37	

* Detailed dimensions on request.

Installation of SF-RAZ2G with hydraulic manifold, electric manifold and hose kit: (All accessories must be ordered separately)



HYND-S

INCH
SERRATION

Hydraulic front end chuck \varnothing 180 - 400 mm

- Oil feed through spindle wall
- 3 and 4 jaws

Application/customer benefits

- Machining of bars / shafts
- Complete spindle bore can be used
- For machines with rotary tables and special machines

HYND-S: Master jaws with INCH SERRATION (1/16" x 90°)

Technical features

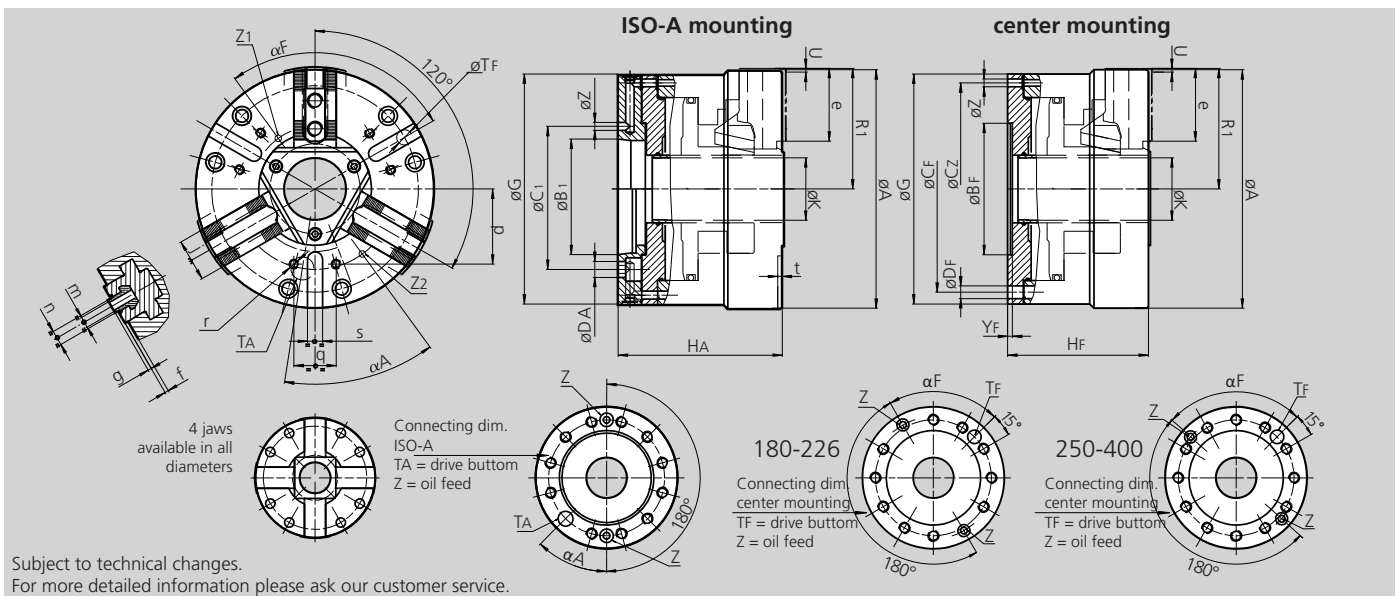
- Power chuck with big through-hole, wedge hook design
- Built in cylinder with safety valves
- Chuck body case hardened
- Special mounting dimensions on request

Standard equipment

- 3- or 4-jaw chuck
- 1 set T-nuts with bolts
- 1 set of top jaws
- Mounting bolts

Ordering example

- 3-jaw chuck HYND-S 210-53-3 A06
- or
- 4-jaw chuck HYND-S 250-66-4 Z140



Technical data

SMW-AUTOBLOK Type		HYND-S 180	HYND-S 210	HYND-S 226	HYND-S 250	HYND-S 315	HYND-S 400
Max. pressure	bar (psi)	20 (290)	25 (363)	22 (319)	25 (363)	22 (319)	25 (363)
Max. gripping force	kN (lbf)	72 (16186)	115 (25853)	115 (25853)	135 (30349)	160 (35969)	210 (47210)
Max. speed	r.p.m.	5000	4200	4200	3600	3100	2500
Moment of inertia	kg·m ²	0.09	0.18	0.22	0.40	0.85	1.9
Weight (without top jaws) (ISO-A)	kg (lbs)	20 (44)	31 (68)	34 (75)	48 (106)	70 (154)	145 (320)

Dimensions

Type	A	G	K	R1 open	U stroke	Z	e	f	g	j	m	n	p	q	r	s	t
Size	mm	mm	mm	mm	mm (inch)	mm	mm	mm	mm	mm	mm	mm	mm	mm	mm	mm	mm
HYND-S 180	180	180	53	90.5	3.5 (0.14")	7	49.5	5	2.5	30	M10	14	-	-	-	-	-
HYND-S 210	212	212	53	108	3.5 (0.14")	7	66	4	2.5	36	M12	17	80	28	M8	16	5
HYND-S 226	226	226	65	116	3.5 (0.14")	7	66	4	2.5	36	M12	17	90	36	M8	16	5
HYND-S 250	254	245	66	128.5	4.0 (0.16")	8.5	77.5	4	3.5	45	M16	21	80	45	M10	16	5
HYND-S 315	315	305	102	160.5	4.5 (0.18")	8.5	93	4	3.5	45	M16	21	100	60	M10	20	5
HYND-S 400	400	335	130	202	5.5 (0.22")	10	116	5	3.5	62	M16	21	135	80	M12	20	5

Dimensions of chucks with center mounting

Type	BF	CF	CZ	DF	HF	YF	TF	α F	Mass
Size	H6 mm	mm	mm	mm	mm	mm	mm	deg.	kg (lbs)
HYND-S 180	140	163	165	9	119	6	8	45°	17 (38)
HYND-S 210	110	190	190	11	126	5	12	75°	27 (60)
HYND-S 226	140	206	206	11	129	5	12	30°	30 (66)
HYND-S 250	140	220	226	13.5	150	5	16	96°	42 (93)
HYND-S 315	140	262	280	17	160	5	16	96°	60 (132)
HYND-S 400	200	280	235	17	190	5	20	65°	133 (293)

Dimensions of chucks with ISO-A mounting

Type	BA	CA	DA	HA	α A
Size	J4 mm	mm	mm	mm	deg.
HYND-S 180 A5	82.563	104.8	11.5	137	45°
HYND-S 180 A6	106.375	133.4	13.5	140	45°
HYND-S 210 A5	82.563	104.8	11.5	146	45°
HYND-S 210 A6	106.375	133.4	13.5	146	45°
HYND-S 226 A6	106.375	133.4	13.5	149	45°
HYND-S 250 A6	106.375	133.4	13.5	175	45°
HYND-S 250 A8	139.719	171.4	17	175	45°
HYND-S 315 A8	139.719	171.4	17	185	45°
HYND-S 315 A11	196.869	235	21	185	45°
HYND-S 400 A8	139.719	171.4	17	220	45°
HYND-S 400 A11	196.869	235	21	220	45°

- Oil feed through spindle wall
- 3 jaws

LONG STROKE
INCH SERRATION



Application/customer benefits

- Machining of bars / shafts
- For special applications / special machines / rotary tables
- Complete spindle bore can be used

HYDL-S: Long stroke INCH SERRATION 3/32" x 90°

Technical features

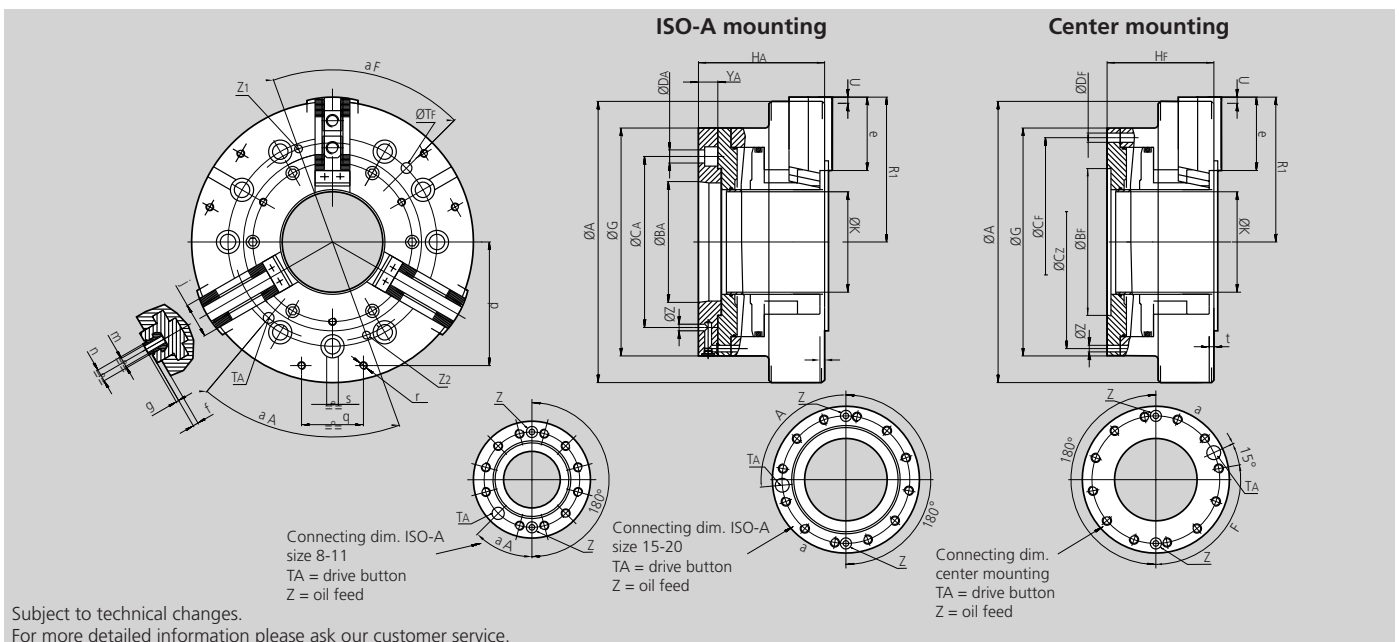
- Power chuck with big through-hole, wedge hook design
- Built in cylinder with safety valves
- Chuck body case hardened
- Special mounting dimensions on request

Standard equipment

- 3-jaw chuck
- 1 set T-nuts with bolts
- 1 set of top jaws
- Mounting bolts

Ordering example

3-jaw chuck HYDL-S 500 A11



Technical data

SMW-AUTOBLOK Type		HYDL-S 500	HYDL-S 630	HYDL-S 800
Radial jaw stroke	mm (inch)	11 (0.43")	13.5 (0.53")	13.5 (0.53")
Max. pressure	bar (psi)	30 (435)	25 (363)	25 (363)
Max. gripping force	kN (lbf)	150 (33721)	250 (56202)	250 (56202)
Max. speed	r.p.m.	1600	1300	1000
Moment of inertia	kg·m ²	5.1	16	48
Weight (without top jaws)	kg (lbs)	160 (353)	310 (683)	580 (1279)

Dimensions type HYDL-S

Type	A	G	K	R1 open	U stroke	e	f	g	j	m	n	Z
	mm	mm	mm	mm	mm (inch)	mm	mm	mm	mm	mm	mm	mm
HYDL-S 500	500	400	180	256	11.0 (0.43")	116	9	3.5	62	M20	25.5	10
HYDL-S 630	630	540	250	323	13.5 (0.53")	140	9	3.5	62	M20	25.5	10
HYDL-S 800	800	540	250	405	13.5 (0.53")	165	9	3.5	75	M20	25.5	12

Dimensions of chucks with center mounting

All types	B _F H6	C _F	C _Z	D _F	H _F	Y _F	T _F	α _F
Size	mm	mm	mm	mm	mm	mm	mm	deg.
Ø 500	300	350	330.2	17	185	6	20	65°
Ø 630	380	463.6	463.6	27	210	6	24	65°
Ø 800	380	463.6	463.6	27	220	6	24	65°

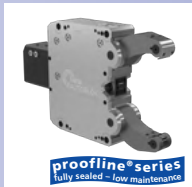
Dimensions of chucks with ISO-A mounting

All types	BA J4	CA	DA	HA	α _A	ZA
Size	mm	mm	mm	mm	deg.	mm
Ø 500 A11	196.869	235	21	220	45°	10
Ø 500 A15	285.775	330.2	25	225	85°	12
Ø 630 A15	285.775	330.2	25	250	85°	12
Ø 630 A20	412.775	463.6	27	230	85°	12
Ø 800 A20	412.775	463.6	27	240	85°	12

Notes

A large area of horizontal stripes in two shades of blue, alternating between a medium blue and a light blue. This area is intended for writing notes.

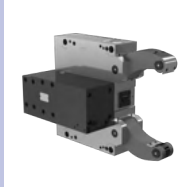
Self-centering Steady Rests for turning and grinding



SLU-X® Self-centering Steady Rest Standard Line

- Fully sealed body
- Monitoring Steady Rest open via proximity switch
- Special sizes on request

Page 390

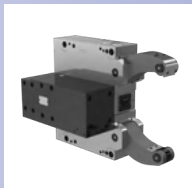


SLUB Self-centering Steady Rest Standard Line

EXTRA compact with side mounted cylinder

- Monitoring open / closed via proximity switch
- Special sizes on request

Page 392

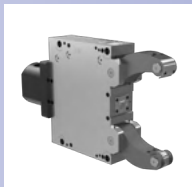


SLUB-A Self-centering Steady Rest Standard Line

EXTRA compact with side mounted cylinder and additional pivoting upper arm for automatic vertical loading

- Monitoring open / closed via proximity switch
- Special sizes on request

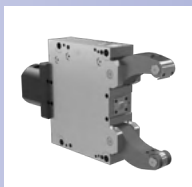
Page 394



SLU Self-centering Steady Rest Basic Line

- Large clamping range
- Monitoring open / closed via proximity switch
- Hardened arms

Page 396



SLU-A Self-centering Steady Rest Basic Line

Pivoting upper arm for automatic vertical loading

- Large clamping range
- Monitoring open / closed via proximity switch
- Hardened arms

Page 398



SR® Self-centering Steady Rest Premium Line

- Fully sealed body
- Integrated coolant / air flush
- Diameter measuring system or monitoring open via proximity switches
- Special sizes on request

Page 400



SRA Self-centering Steady Rest Premium Line

Additional pivoting upper arm for automatic vertical loading

- Fully sealed body
- Integrated coolant / air flush
- Diameter measuring system or monitoring open via proximity switches
- Special sizes on request

Page 402



SR-CL Self-centering Steady Rest Premium Line - with fine adjustment

- Integrated fine adjustment of the center line
- Sealed body
- Integrated coolant / air flush
- Diameter measuring system or monitoring open via proximity switches

Page 404



K Self-centering Steady Rest Premium Line

- Compact design
- Sealed body
- Integrated coolant / air flush
- Diameter measuring system or monitoring open via proximity switches
- Special sizes on request

Page 406



KA Self-centering Steady Rest Premium Line

- Compact design
- Sealed body
- Integrated coolant / air flush
- Double guided center arm to carry heavy loads
- Excenter fine adjustment on the outer arms
- Special sizes on request

Page 408



KLU / KLU-A Self-centering Steady Rest Premium Line

- Narrow arms for crankshafts
- Sealed body
- Integrated coolant / air flush
- Diameter measuring system or monitoring open via proximity switches
- Special sizes on request

Page 410



RX Self-centering Steady Rest Premium Line

- Extra compact design
- Patented double cam system
- Sealed body
- Integrated coolant / air flush
- Monitoring Steady Rest open via proximity switch
- Special sizes on request

Page 412



SCU Linear stroke control unit

- For SMW-AUTOBLOK Steady Rests
- Linear monitoring of the complete clamping stroke - Avoids collision with the tools
- Time saving by only partial opening of the steady
- Protection class IP 66, Output signal 4-20 mA or 0-10 V, Electrical power supply 24 VDC
- **proofline®** = fully sealed - low maintenance

Page 416



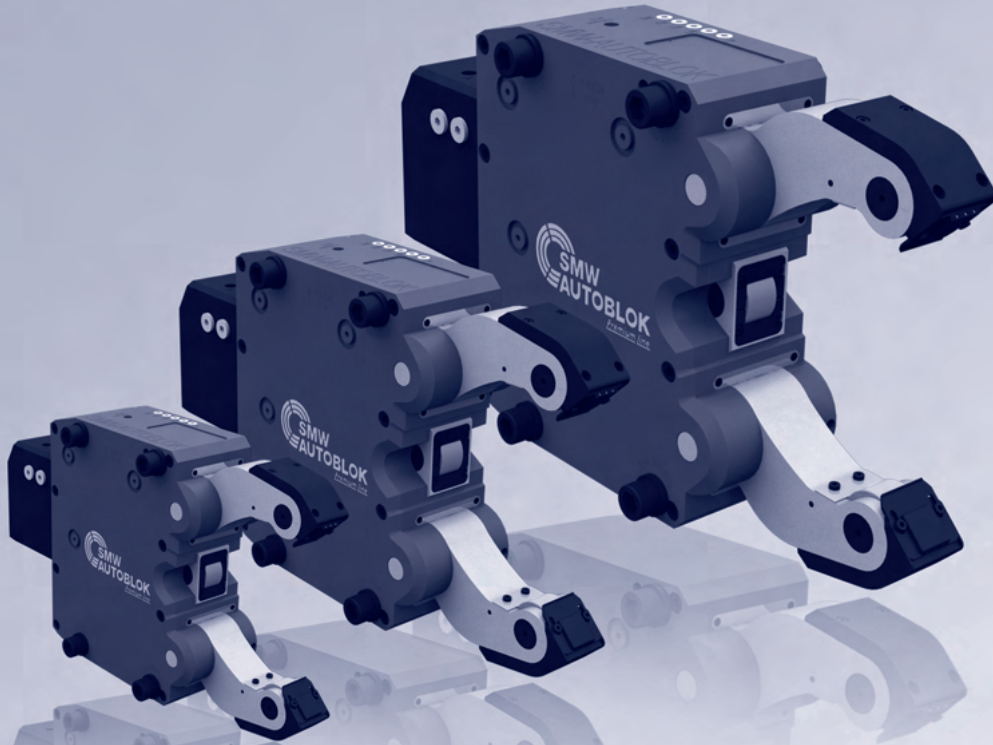
SRG / SRG-B Grinding Steady Rest with fine adjustment of the center

- Horizontal and vertical fine adjustment of the grinding center
- Retractable Steady Rest arms
- Port for compressed air against dust and coolant
- Monitoring via proximity switches
- Ideal for follow down grinding

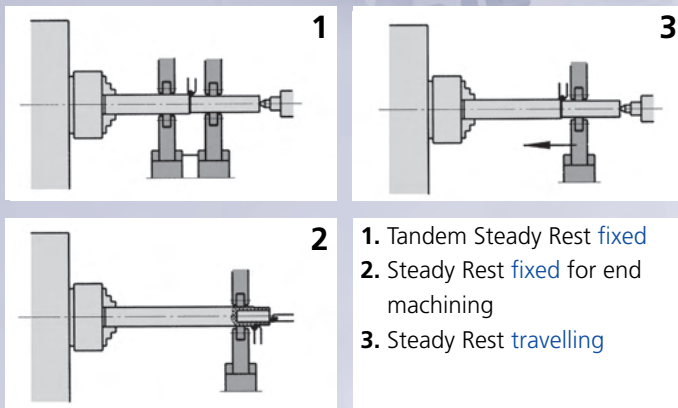
Page 418

SMW-AUTOBLOK

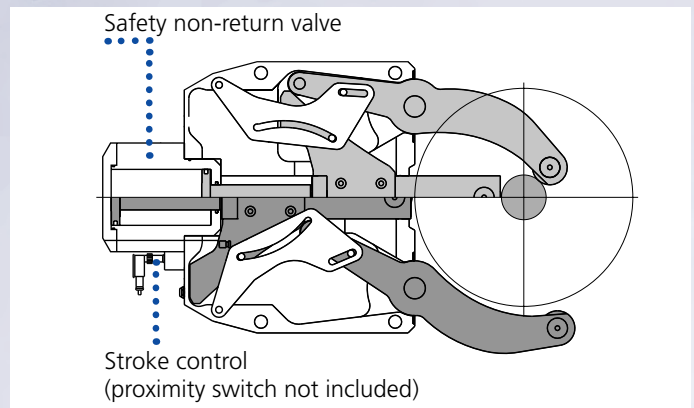
worldwide leader in Steady Rests



Fixed or travelling application



1. Tandem Steady Rest **fixed**
2. Steady Rest **fixed** for end machining
3. Steady Rest **travelling**

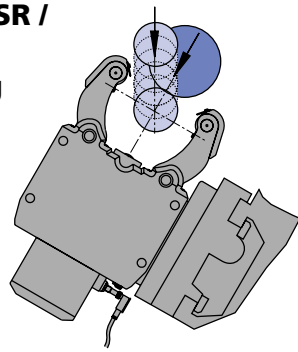


Features included in standard range

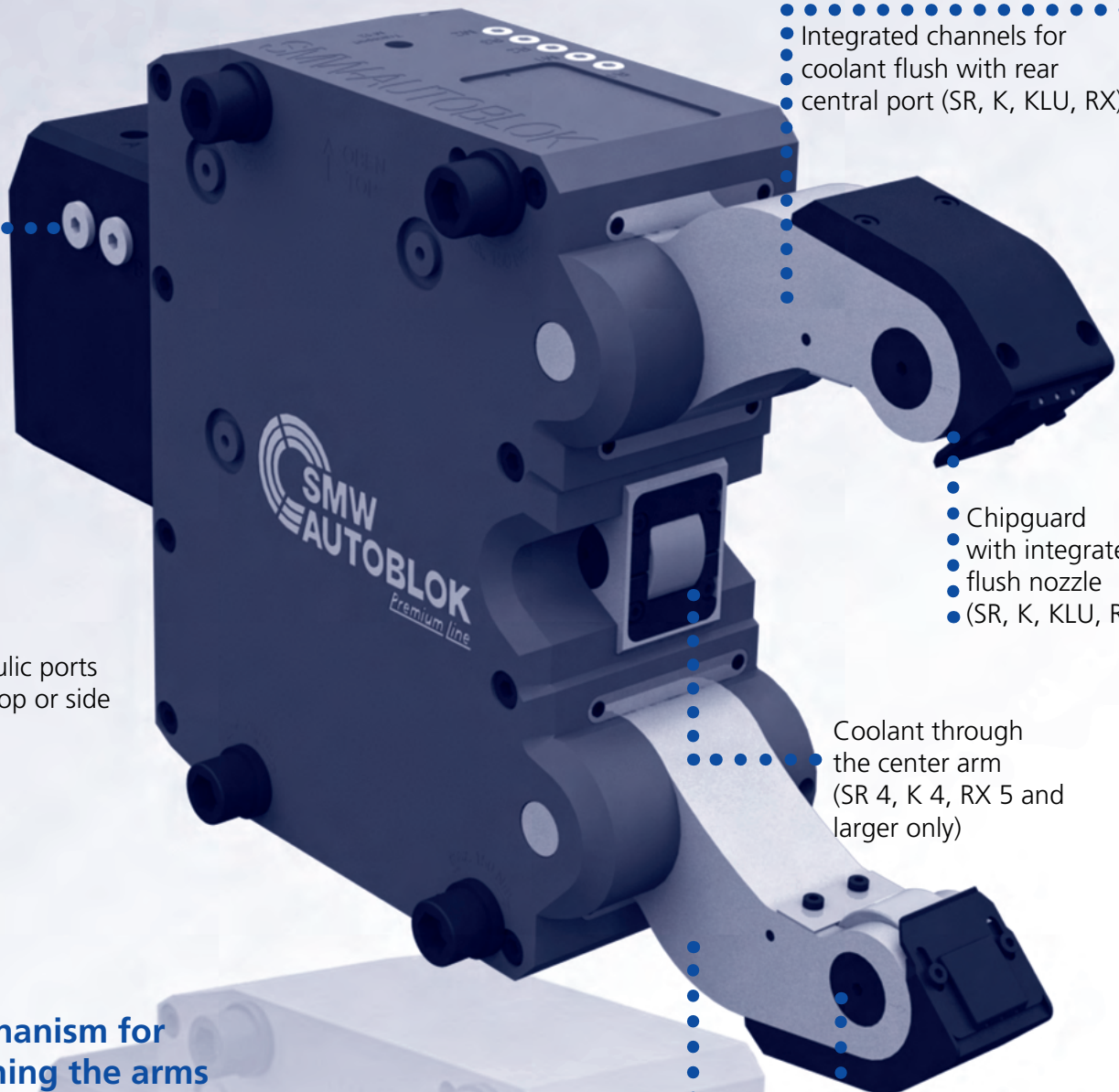
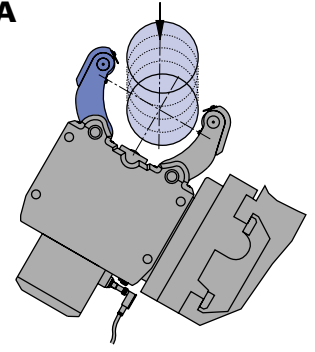
Steady Rest Type	Standard Line		Basic Line	Premium Line					
	SLU-X	SLUB, SLUB-A		SR	SRA	SR-CL	K, KA	KLU, KLU-A	RX
Steady Rest Size	1 - 5.1	3 - 6	1 - 6	2 - 6	2 - 6	4 - 6	3 - 7.1	215 - 540	5 - 6.1
Sealed body	■	■	■	■	■	■	■	■	■
Safety valve	■	■	■	■	■	■	■	■	■
Stroke control (proximity switch not included)	■	■	■	■	■	■	■	■	■
1 set swarf guard 3-piece	■	■	■						
1 set swarf guard with integrated coolant flush				■	■	■	■	■	■
1 set cylindrical rollers	■	■	■	■	■	■	■	■	■
Port for compressed air	■	■	■	■	■	■	■	■	■
Port for coolant through arms incl. chipguard				■	■	■	■	■	■
Toolbox	■	■		■	■	■	■	■	■

SLU-X® · SR® · K · KLU · RX

**SLU-X / SLU / SR /
K / KLU / RX**
large clamping
range



SLU-A / SRA / KLU-A / KA
additional pivoting
upper arm
for automatic vertical
loading



- Integrated channels for coolant flush with rear central port (SR, K, KLU, RX)

- Hydraulic ports from top or side

- Chipguard with integrated flush nozzle (SR, K, KLU, RX)

- Coolant through the center arm (SR 4, K 4, RX 5 and larger only)

Mechanism for opening the arms of the Steady Rest without springs and free from wear.

- Arms and centerpiece hardened (SLU-X, SR, K, KLU, RX)

- Easy change of rollers without loose parts

SLU-X[®]
SLUB / -A

SLU
SLU-A

SR[®] / -CL
SRA

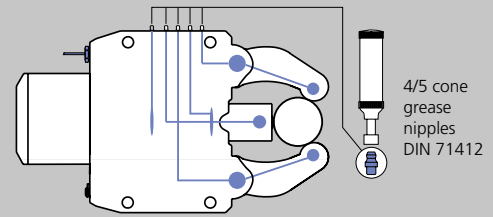
KLU / -A
K / KA

RX

Option of manual lubrication (M) (all types)

- Low cost solution for medium working conditions and low build up of swarf.
- The lubrication points and rollers are supplied with lubrication grease via the grease nipples and the grease gun.
- Lubrication intervals depending on the working conditions normally every 4 to 8 operating hours.
- Grease: KPE 2R-20 DIN 51502.

Manual lubrication (M)



Option of central oil lubrication (Z) (all types)

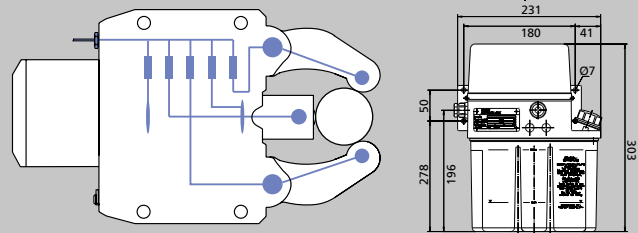
- For heavy working conditions and high build up of swarf.
- For travelling Steady Rest applications.
- The use of our separate complete lubrication unit with timer control is recommended.
- Lubricating intervals 5 - 20 min.
- Min. / max. operating pressure 10 / 45 bar.
- Oil: Viscosity of 46 mm² / s (viscosity class ISO).

Central lubrication oil (Z)

Centralized lubrication G 1/8"

Lubrication unit oil

Id. No. 088707



Option of central lubrication oil + air (OLD) (all types)

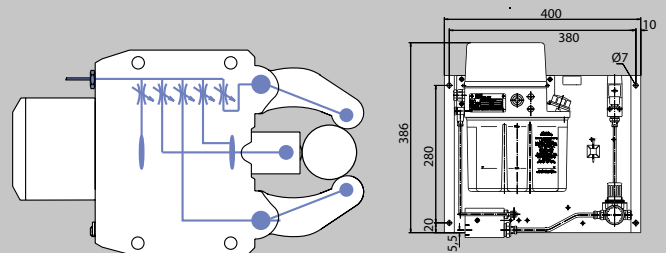
- For heaviest cutting conditions with high built up of swarf, dust or coolant.
- The SMW-AUTOBLOK oil + air unit for lubrication with built-in timer control is mandatory.
- This unit injects oil for lubrication into the air hose in adjustable intervals (1 - 4 min.).
- The permanent air flow (min. 3 bar) feeds the oil to the rollers and keeps them clean.
- Oil: Viscosity of 46 mm² / s (viscosity class ISO).

Oil + air lubrication (OLD)

Centralized lubrication G 1/8"

Lubrication unit oil + air

Id. No. 088708

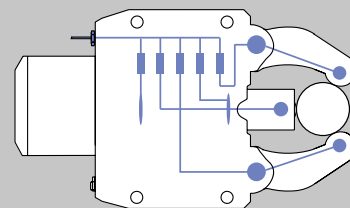


Option of central grease lubrication (F) (not SLU / SLU-A / SLUB / SLUB-A)

- For machines with central grease lubrication.
- For application and intervals please follow the instruction of the machine maker.
- Min. / max. operating pressure 30 / 45 bar.
- Grease: NLGI class 0 or 1.

Central grease lubrication (F)

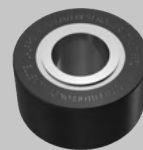
Centralized lubrication G 1/8"



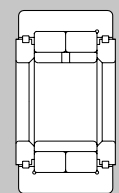
Option of rollers (all types)

- SMW-AUTOBLOK rollers (precision class P05) specially developed for our Steady Rests.
- Special sealing ensures highest precision and service life.
- Standard equipment: 1 set of cylindrical rollers.
- Option: Spherical rollers (for travelling Steady Rests), synthetic material rollers, carbide rollers.

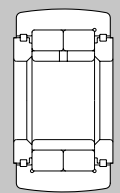
Original SMW-AUTOBLOK roller



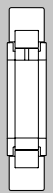
cylindrical



spherical



narrow



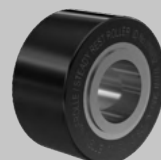
Rollers (all types)

- Rollers steel (standard): Surface of workpiece not hardened.

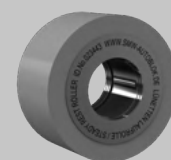
Available optional materials:

- Rollers synthetic material: Surface of workpiece polished or chrome plated.
- Rollers carbide: Surface of workpiece hardened.

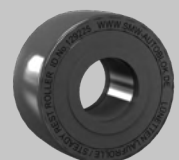
Rollers steel

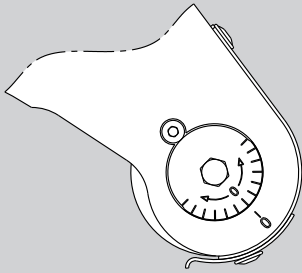


Rollers synthetic material

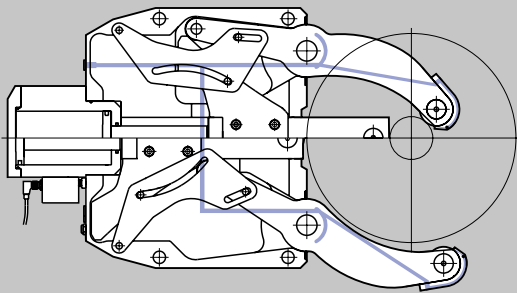


Rollers carbide

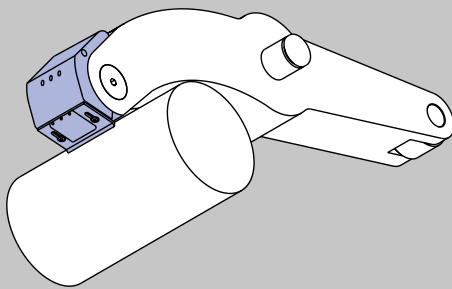


Eccentric fine adjustment**Option fine adjustment of center line (all types)**

- Eccentric roller pins on the two Steady Rest arms allow a quick fine adjustment of the center line.
- Therefore no need to unlock and adjust the entire Steady Rest on the bracket for small adjusting movements.
- Adjustment of open Steady Rest only!

Coolant / air feed**Coolant / air feed (SR / K / KLU / RX only)**

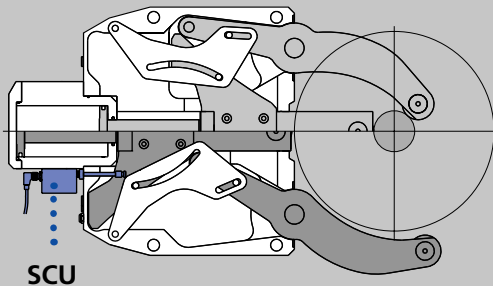
- Built-in channels to feed coolant or air from a central connecting port to the Steady Rest arms.
- Basic equipment for SR / K / KLU / RX Steady Rests.
- From size SR-4 / K4 and larger with coolant through the center arm.

Chipguard coolant / air**Patented coolant / air chipguard with integrated flush nozzles (SR / K / KLU / RX only)**

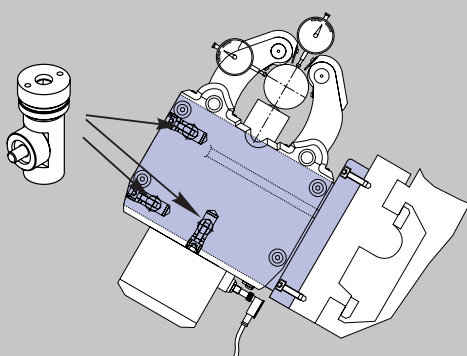
- Keeps roller clamping area free from chips.
- The patented double flush nozzles keep front and rear of the wiper area clean.

Only for Steady Rests with coolant / air feed**Benefit:**

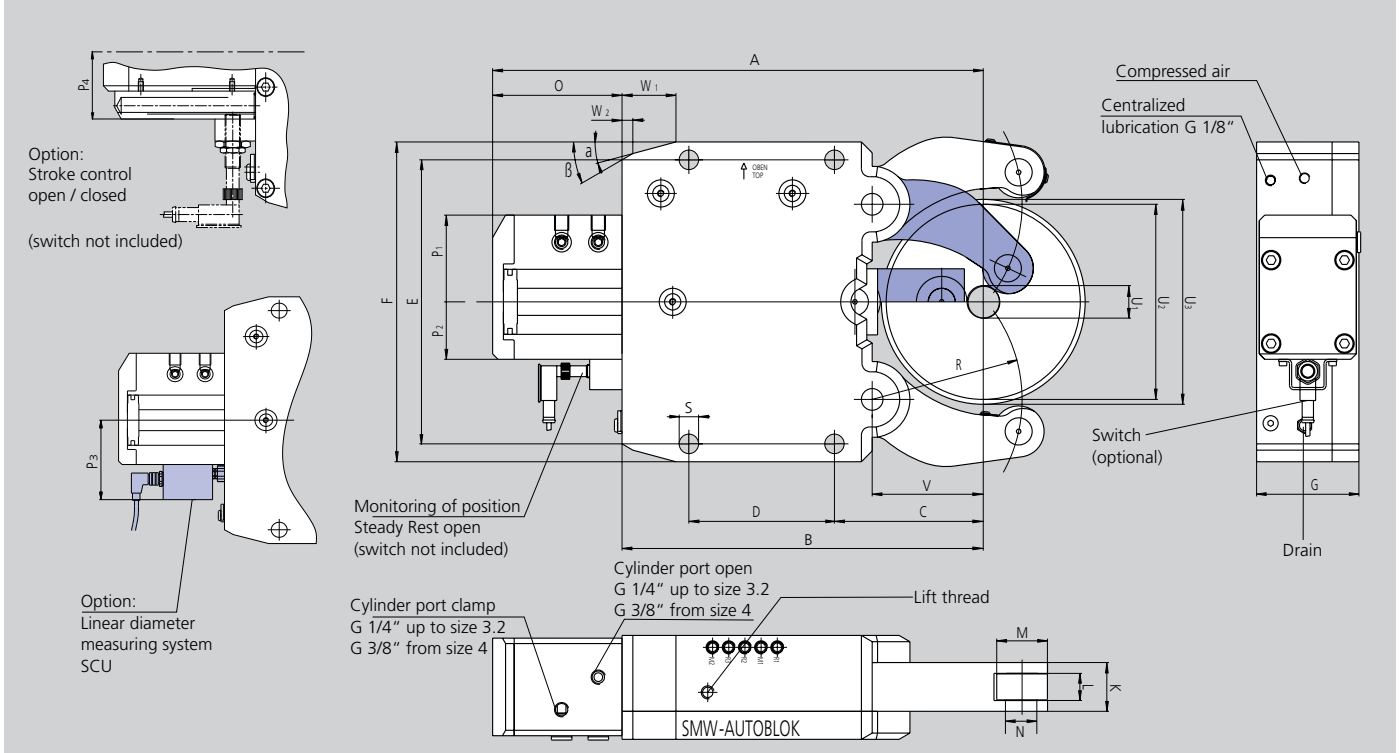
- Constant centering accuracy.
- No damage of workpiece and rollers caused by chips / swarf.
- Less roller consumption = less costs.

SCU diameter measuring system**Option linear diameter measuring system SCU (not SLU, SLUB, SLU-A, SLUB-A)**

- The position of the clamping arms is monitored by the linear measuring system SCU.
- Avoids collision with workpieces, turret, loader etc.
- Reduced cycle time due to position controlled opening of the arms to the requested opening only.
- Power supply SCU: In: 24 V Out: 4 - 20 mA

Steady Rest bracket with adjustment device**Steady Rest bracket**

- A suitable bracket is very important for the function / precision of the Steady Rest.
- Fast and easy adjustment can be done with the SMW-AUTOBLOK **adjustment device** integrated into the bracket.
- SMW-AUTOBLOK supplies the correct bracket for all applications as a turnkey solution.



Subject to technical changes.
For more detailed information please ask for customer drawing.

Drain and compressed air
G 1/8" up to size 3.2
G 1/4" from size 4

SMW-AUTOBLOK Type Size		SLU-X 1	SLU-X 2	SLU-X 3	SLU-X 3.1	SLU-X 3.2	SLU-X 4	SLU-X 5	SLU-X 5.1
Centering range without chip guard	U1	6	8	12	20	50	30	45	85
	U2	70	101	152	165	200	245	310	350
Max. axial clearing dia.	U3	75	106	164	172	202	253	320	352
Centering range with chip guard 3-piece	U1	8	12	14	20	50	30	45	85
	U2	70	101	152	165	200	245	310	350
	A	214.5	277	428	436	455	603	697	717
	B	149	195	312	320	335	448	510	530
	C	52	70	115	123	138	146	178	198
	D	66	85	135	135	135	240	270	270
	E	140	170	262	262	262	365	400	400
	F	160	195	295	295	295	405	440	440
	G	63	75	95	95	95	110	145	145
	K	28	35	45	45	45	60	75	75
Width of rollers	L	15	19	25	25	25	25	29	29
Diameter of rollers	M	24	35	47	47	47	52	62	62
Diameter of roller pins	N	8	15	20	20	20	25	30	30
	O	65.5	82	116	116	120	155	187	187
	P1	53	63	85	85	85	91	97	97
	P2	29	40	53	53	53	61	63	63
	P3	-	82	95	95	95	103	105	105
	P4	40	61	74	74	74	82	84	84
	R	55	74	119	124	139	172	209	229
	S	11	14	18	18	18	23	23	23
	V	37	51	85	93	103	128	160	180
	W1	20	30	50	50	50	58	62	62
	W2	5	11.2	10	10	10	18.3	19.1	19.1
	α	15°	15°	15°	15°	15°	15°	18°	18°
	β	45°	30°	30°	30°	30°	40°	40°	40°
Piston area*	cm ²	7	19.6	38.5	38.5	38.5	63.6	78.5	78.5
Operation pressure min. / max.	bar	6 / 70	8 / 70	8 / 80	8 / 80	8 / 80	8 / 70	8 / 80	8 / 80
Max. clamping force / roller	daN	165	450	1000	1000	1000	1500	2000	2000
Centering accuracy within the whole range	mm	0.02	0.02	0.04	0.04	0.04	0.05	0.06	0.06
Repeatability accuracy	mm	0.005	0.005	0.007	0.007	0.007	0.007	0.01	0.01
Max. roller surface speed	m/min	800	800	725	725	725	715	600	600
Weight approx.	kg	8	17	50	51	59	103	168	170

* Cylinders differing from standard available on request.
Subject to technical changes!

- Ordering review
- Accessories
- Wearing parts

SLU-X Steady Rest with stroke control Steady Rest open via proximity switch (without proximity switch)

Steady Rest size		1	2	3	3.1	3.2	4	5	5.1
SLU-X-M Manual lubrication	Id. No.	127563	129001	129018	129196	129234	129141	129278	129291
SLU-X-Z Central lubrication oil	Id. No.	127562	129000	129020	129195	129235	129140	129280	129292
SLU-X-OLD Central lubrication oil + air	Id. No.	127564	129002	129019	129197	129236	129142	129279	129293
SLU-X-F Central grease lubrication	Id. No.	129761	129762	129763	129764	129765	129766	129767	129768

SLU-X Steady Rest with stroke control Steady Rest open / closed via proximity switch (without proximity switch)

Steady Rest size		1	2	3	3.1	3.2	4	5	5.1
SLU-X-M Manual lubrication	Id. No.	126155	222390	221912	223890	222400	on request	on request	on request
SLU-X-Z Central lubrication oil	Id. No.	126154	221116	221151	221152	221153	221154	221155	221156
SLU-X-OLD Central lubrication oil + air	Id. No.	126156	227175	221913	227586	on request	on request	on request	on request
SLU-X-F Central grease lubrication	Id. No.	on request	on request	221914	225348	225349	on request	on request	on request

SLU-X Steady Rest with stroke control via linear stroke control SCU, output 4 - 20 mA

Steady Rest size		1	2	3	3.1	3.2	4	5	5.1
SLU-X-Z Central lubrication oil	Id. No.	-	225830	225831	225832	225833	222513	222183	225834

SLU-X Steady Rest with stroke control via linear stroke control SCU, output 0 - 10 V

Steady Rest size		1	2	3	3.1	3.2	4	5	5.1
SLU-X-Z Central lubrication oil	Id. No.	-	on request	on request	on request	on request	on request	on request	on request

Type SLU-X

◆ means wearing parts, recommended stock items

Steady Rest size		1	2	3	3.1	3.2	4	5	5.1
Compact lubrication system for oil pressure lubrication Container 2.7 l, 220 V *,**		088707	088707	088707	088707	088707	088707	088707	088707
Compact lubrication system for oil & air lubrication Container 2.7 l, 220 V *,**		088708	088708	088708	088708	088708	088708	088708	088708
Eccenter fine adjustment compl. at lever arm (2 pcs. per Steady Rest)		-	127237	127240	127240	127240	128474	128584	128584
Inductive limit switch		087926	087926	087926	087926	087926	087926	087926	087926
Swarf guard 3-pieces	◆	126171	026116	026117	026117	026117	026118	026119	026119
Spring loaded chip-guard***	◆	226668	025760	025759	025759	025759	025758	025757	025757
Roller pin with collar***	◆	226656	225317	221112	221112	221112	204052	125824	125824
Roller stripper (2-pieces) for middle piece	◆	200155	200154	198950	198950	198950	196199	196200	196200
Rollers cylindrical design	◆	023122	016952	016951	016951	016951	016953	018345	018345
Rollers spherical design	◆	028738	017658	018433	018433	018433	018443	019545	019545
Rollers synthetic material****	◆	225135	029451	023443	023443	023443	023672	023650	023650
Roller stripper (2-pieces) for middle piece with roller synthetic material	◆	-	204211	204212	204212	204212	204213	204215	204215
Rollers carbide	◆	224747	129223	129225	129225	129225	220918	222038	222038
Adjustment device 1 set = 3 pieces		-	-	200178	200178	200178	200179	200179	200179

* When placing an order please advise voltage.

** On request 110 V available.

*** Use of spring located chip-guard only possible in combination with roller pin with collar.

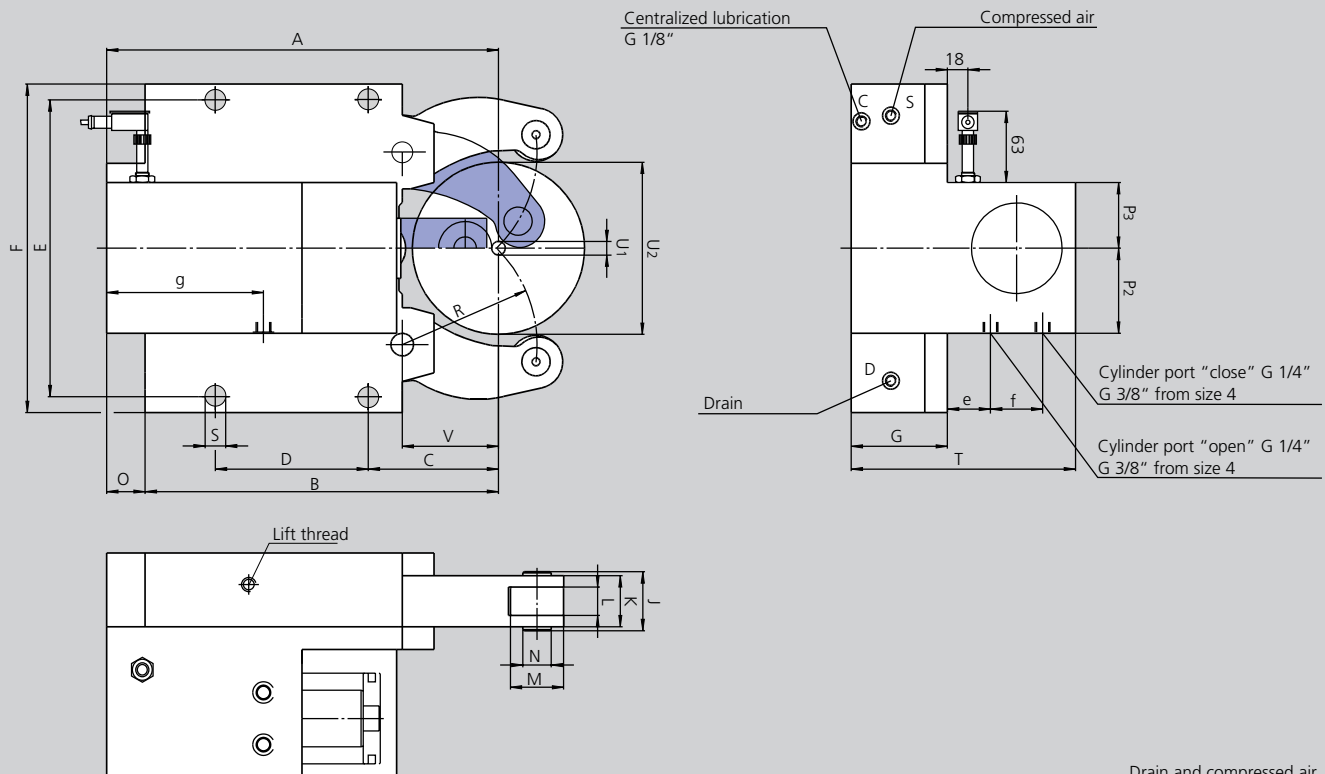
**** Attention: Reduced clamping force! Please refer to the clamping force value marked on the roller.

SLUB

Extra compact with side mounted cylinder

Self-centering Steady Rests
Standard line

- Monitoring open / closed via proximity switch
- Special sizes on request



Subject to technical changes.
For more detailed information please ask for customer service.

Drain and compressed air
G 1/8" up to size 3.2
G 1/4" from size 4

SMW-AUTOBLOK Type Size		SLUB 3	SLUB 3.1	SLUB 3.2	SLUB 4	SLUB 5	SLUB 5.1	SLUB 6
Centering range without chip guard	U1	12	20	50	35	50	90	125
	U2	152	165	200	245	310	350	460
Centering range with chip guard 3-piece	U1	14	20	50	35	50	90	125
	U2	152	165	200	245	310	350	460
	A	346	354	372.5	480	612.5	632.5	800
	B	312	320	335	448	510	530	709
	C	115	123	138	146	178	198	215
	D	135	135	135	240	270	270	330
	E	262	262	262	365	400	400	610 / 640
	F	290	290	290	400	440	440	680
	G	85	85	85	110	145	145	145
	J	52	52	52	67	83	83	83
	K	45	45	45	60	75	75	75
Width of rollers	L	25	25	25	25	29	29	29
Diameter of rollers	M	47	47	47	52	62	62	80
Diameter of collars	N	25	25	25	32	36	36	42
	O	34	34	37.5	32	102.5	102.5	91
	P2	75	75	75	68	85	85	100
	P3	58	58	58	68	85	85	85
	R	119	124	139	172	209	229	290
	S	18	18	18	23	23	23	27
	T	198	198	198	243.5	325	325	350
	V	85	93	103	128	160	180	175
	e	38	38	38	38.5	79.5	79.5	74.5
	f	46	46	46	66	66	66	96
	g	138.5	138.5	138.5	190	261	215	334.5
Piston area*	cm ²	50	50	50	78	78	78	132
Operation pressure min. / max.	bar	8 / 60	8 / 60	8 / 60	8 / 60	8 / 80	8 / 80	8 / 70
Max. clamping force / roller	daN	1000	1000	1000	1500	2000	2000	3000
Centering accuracy within the whole range	mm	0.04	0.04	0.04	0.05	0.06	0.06	0.06
Repeatability accuracy	mm	0.007	0.007	0.007	0.007	0.01	0.01	0.01
Max. roller surface speed	m/min.	725	725	725	715	600	600	560
Weight approx.	kg	45	46	48	106	175	178	483

* On request cylinder differing from standard available.
Subject to technical changes!





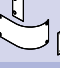

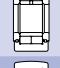


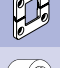


- Ordering review
- Accessories
- Wearing parts

SLUB Steady Rest with stroke control Steady Rest open / closed via proximity switch (without proximity switch)

Steady Rest size		3	3.1	3.2	4	5	5.1	6
SLUB-M Manual lubrication	Id. No.	029865	029866	227695	029867	029868	029909	029869
SLUB-Z Central lubrication oil	Id. No.	029855	029856	123929	029857	029858	029908	029859
SLUB-OLD Central lubrication oil + air	Id. No.	029875	029876	228024	029877	029878	029910	029879

Type SLUB

◆ means wearing parts, recommended stock items

Steady Rest size		3	3.1	3.2	4	5	5.1	6
Compact lubrication system for oil pressure lubrication Container 2.7 l, 220 V *,**		088707	088707	088707	088707	088707	088707	088707
Compact lubrication system for oil & air lubrication Container 2.7 l, 220 V *,**		088708	088708	088708	088708	088708	088708	088708
Eccenter fine adjustment compl. at lever arm (2 pcs. per Steady Rest)		018437	018437	018437	018444	018450	018450	026595
Inductive limit switch		087926	087926	087926	087926	087926	087926	087926
Swarf guard (3-pieces)	 ◆	026117	026117	026117	026118	026119	026119	026597
Roller stripper (2-pieces) for middle piece	 ◆	029797	029797	029797	029798	029799	029799	029800
Rollers cylindrical design	 ◆	016951	016951	016951	016953	018345	018345	026594
Rollers spherical design	 ◆	018433	018433	018433	018443	019545	019545	121302
Rollers synthetic material***	 ◆	023443	023443	023443	023672	023650	023650	227357
Roller stripper (2-pieces) for middle piece with roller synthetic material	 ◆	029797	029797	029797	205400	029799	029799	-
Rollers carbide	 ◆	129225	129225	129225	220918	222038	222038	on request
Adjustment device 1 set = 3 pieces		200178	200178	200178	200179	200179	200179	200179

* When placing an order please advise voltage.

** On request 110 V available.

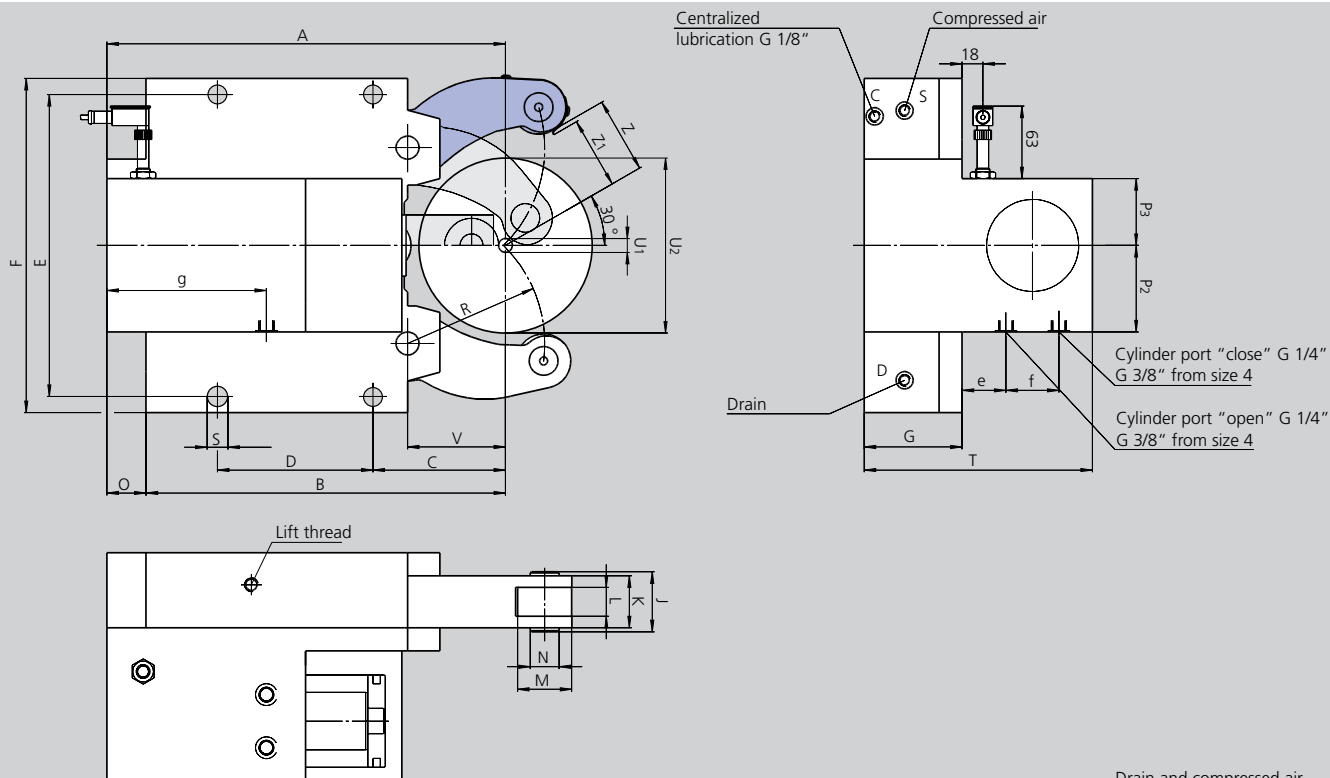
*** Attention: Reduced clamping force! Please refer to the clamping force value marked on the roller.

SLUB-A

Self-centering Steady Rests
Standard line

Extra compact with side mounted cylinder
Additional pivoting upper arm for vertical loading

- Monitoring open / closed via proximity switch
- Special sizes on request



Subject to technical changes.
For more detailed information please ask our customer service.

Drain and compressed air
G 1/8" up to size 3.1
G 1/4" from size 4

SMW-AUTOBLOK Type Size		SLUB-A 3	SLUB-A 3.1	SLUB-A 4	SLUB-A 5	SLUB-A 6
Centering range without chip guard	U1	12	22	35	50	160
	U2	130	150	220	268	460**
Centering range with chip guard 3-piece	U1	14	22	35	50	160
	U2	130	150	220	268	460**
Vertical loading without chip guard	Z	66	76	111	135	230**
Vertical loading with chip guard	Z1	62	72	106.5	130	225**
	A	346	354	480	600.5	800
	B	312	320	448	510	709
	C	115	123	146	178	215
	D	135	135	240	270	330
	E	262	262	365	400	610 / 640
	F	290	290	400	440	680
	G	85	85	110	145	145
	J	52	52	67	83	83
	K	45	45	60	75	75
Width of rollers	L	25	25	25	29	29
Diameter of rollers	M	47	47	52	62	80
Diameter of collars	N	25	25	32	36	42
	O	34	34	32	90.5	91
	P2	75	75	68	85	87
	P3	58	58	85	85	104
	R	119	124	172	209	290
	S	18	18	23	23	27
	T	198	198	243.5	325	350
	V	85	93	128	160	175
	e	38	38	38.5	79.5	74.5
	f	46	46	66	66	96
	g	138.5	138.5	188	210	230
Piston area*	cm ²	50	50	78	78	132
Operating pressure min. / max.	bar	8 / 60	8 / 60	8 / 60	8 / 80	8 / 70
Max. clamping force / roller	daN	1000	1000	1500	2000	3000
Centering accuracy within the whole range	mm	0.04	0.04	0.05	0.06	0.06
Repeatability accuracy	mm	0.007	0.007	0.007	0.01	0.01
Max. roller surface speed	m/min	725	725	715	600	560
Weight approx.	kg	45	46	106	175	483

* On request cylinder differing from standard available.

** SLUB-A-6: Loading diameter U2 = 460 only under 19° installation.

SLUB-A

Self-centering Steady Rests
Standard line





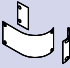

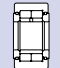
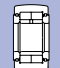




- Ordering review
- Accessories
- Wearing parts

SLUB-A Steady Rest with stroke control Steady Rest open / closed via proximity switch (without proximity switch)

Steady Rest size		3	3.1	4	5	6
SLUB-A-M Manual lubrication	Id. No.	029870	029871	029872	029873	029874
SLUB-A-Z Central lubrication oil	Id. No.	029860	029861	029862	029863	029864
SLUB-A-OLD Central lubrication oil + air	Id. No.	029880	029881	029882	029883	029884

Type SLUB-A

◆ means wearing parts, recommended stock items

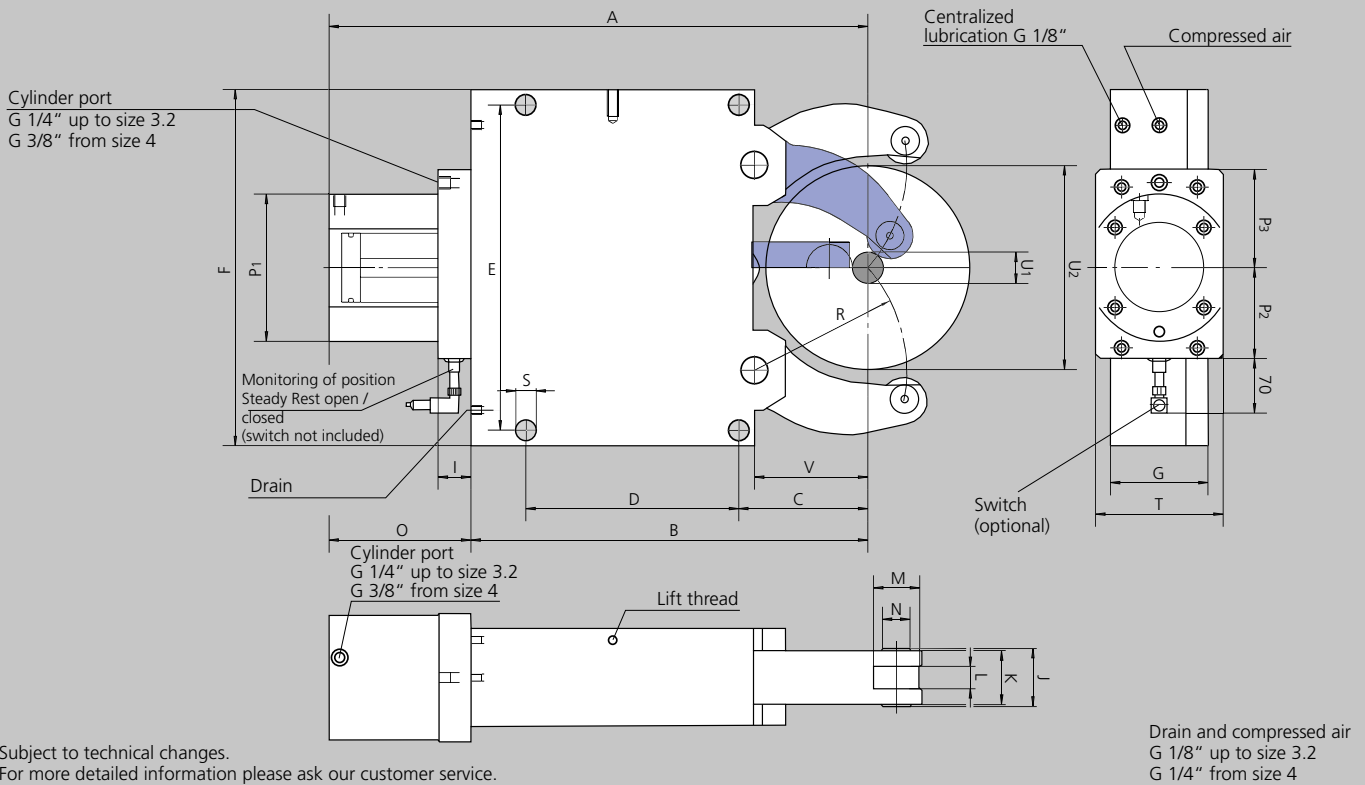
Steady Rest size		3	3.1	4	5	6
Compact lubrication system for oil pressure lubrication Container 2.7 l, 220 V *,**		088707	088707	088707	088707	088707
Compact lubrication system for oil & air lubrication Container 2.7 l, 220 V *,**		088708	088708	088708	088708	088708
Eccenter fine adjustment compl. at lever arm (2 pcs. per Steady Rest)		018437	018437	018444	018450	026595
Inductive limit switch		087926	087926	087926	087926	087926
Swarf guard (3-pieces)	 ◆	026117	026117	026118	026119	026597
Roller stripper (2-pieces) for middle piece	 ◆	029797	029797	029798	029799	029800
Rollers cylindrical design	 ◆	016951	016951	016953	018345	026594
Rollers spherical design	 ◆	018433	018433	018443	019545	121302
Rollers synthetic material***	 ◆	023443	023443	023672	023650	227357
Roller stripper (2-pieces) for middle piece with roller synthetic material	 ◆	029797	029797	205400	029799	-
Rollers carbide	 ◆	129225	129225	220918	222038	on request
Adjustment device 1 set = 3 pieces		200178	200178	200179	200179	200179

* When placing an order please advise voltage.

** On request 110 V available.

*** Attention: Reduced clamping force! Please refer to the clamping force value marked on the roller.

- Large clamping range
- Monitoring open / closed via proximity switch
- Hardened arms



SMW-AUTOBLOK Type Size		SLU 1	SLU 2	SLU 3	SLU 3.1	SLU 3.2	SLU 4	SLU 5	SLU 5.1	SLU 6
Centering range without chip guard	U1	4	8	12	20	50	30	45	85	125
	U2	64	101	152	165	200	245	310	350	460
Centering range with chip guard 3-piece	U1	8	12	14	20	50	30	45	85	125
	U2	64	101	152	165	200	245	310	350	460
	A	207	279.5	429	437	455	608	697.5	717.5	944.5
	B	137	195	312	320	335	448	510	530	709
	C	51	70	115	123	138	146	178	198	215
	D	64	85	135	135	135	240	270	270	330
	E	118	170	262	262	262	365	400	400	610 / 640
	F	132	190	290	290	290	400	440	440	680
	G	55	70	85	85	85	110	145	145	145
	I	33	33	37	37	37	37	37	37	37
	J	26	42	52	52	52	67	83	83	83
	K	20	35	45	45	45	60	75	75	75
Width of rollers	L	12	19	25	25	25	25	29	29	29
Diameter of rollers	M	19	35	47	47	47	52	62	62	80
Diameter of collars	N	6	21	25	25	25	32	36	36	42
	O	70	84.5	117	117	120	160	187.5	187.5	235.5
	P1	84	102	137	137	137	165	165	165	190
	P2	66	72	90	90	90	102	102	102	115
	P3	66	75	100	100	100	110	110	110	130
	R	50.5	74	119	124	139	172	209	229	290
	S	11	14	18	18	18	23	23	23	27
	T	70	70	100	100	100	144	144	144	158
	V	37	52	85	93	103	128	160	180	175
Piston area	cm ²	7	19.6	50	50	50	78	78	78	132
Operation pressure min. / max.	bar	6 / 50	8 / 70	8 / 60	8 / 60	8 / 60	8 / 60	8 / 80	8 / 80	8 / 70
Max. clamping force / roller	daN	100	450	1000	1000	1000	1500	2000	2000	3000
Centering accuracy within the whole range	mm	0.02	0.02	0.04	0.04	0.04	0.05	0.06	0.06	0.06
Repeatability accuracy	mm	0.005	0.005	0.007	0.007	0.007	0.007	0.01	0.01	0.01
Max. roller surface speed	m/min	800	800	725	725	725	715	600	600	560
Weight approx.	kg	6	14	39	40	43	92	152	155	420

- Ordering review
- Accessories
- Wearing parts

SLU Steady Rest (including 1 set of SMW-AUTOBLOK cylindrical rollers)

Steady Rest size		1	2	3	3.1	3.2	4	5	5.1	6
SLU-M Manual lubrication	Id. No.	025804	025805	025806	025807	120689	122186	122416	122469	026586
SLU-Z Central lubrication oil	Id. No.	025457	025402	025401	025406	120690	122185	122415	122468	026492
SLU-OLD Central lubrication oil + air	Id. No.	027649	027650	027651	027652	120691	122187	122417	122470	027655

Type SLU

◆ means wearing parts, recommended stock items

Steady Rest size		1	2	3	3.1	3.2	4	5	5.1	6
Compact lubrication system for oil pressure lubrication Container 2.7 l, 220 V *,**		088707	088707	088707	088707	088707	088707	088707	088707	088707
Compact lubrication system for oil + air lubrication Container 2.7 l, 220 V *,**		088708	088708	088708	088708	088708	088708	088708	088708	088708
Eccenter fine adjustment compl. at lever arm (2 pcs. per Steady Rest)		-	026120	018437	018437	018437	018444	018450	018450	026595
Inductive limit switch		087926	087926	087926	087926	087926	087926	087926	087926	087926
Swarf guard (3-pieces)	◆	026115	026116	026117	026117	026117	026118	026119	026119	026597
Spring loaded chip guard	◆	025781	025760	025759	025759	025759	025758	025757	025757	026596
Roller stripper (2-pieces) for middle piece	◆	029795	029796	029797	029797	029797	029798	029799	029799	029800
Rollers cylindrical design	◆	017869	016952	016951	016951	016951	016953	018345	018345	026594
Rollers spherical design	◆	016900	017658	018433	018433	018433	018443	019545	019545	121302
Rollers synthetic material***	◆	024409	029451	023443	023443	023443	023672	023650	023650	227357
Roller stripper (2-pieces) for middle piece with roller synthetic material	◆	029795	197520	029797	029797	029797	205400	029799	029799	-
Rollers carbide	◆	128794	129223	129225	129225	129225	220918	222038	222038	on request
Adjustment device 1 set = 3 pieces		-	-	200178	200178	200178	200179	200179	200179	200179

* When placing an order please advise voltage.

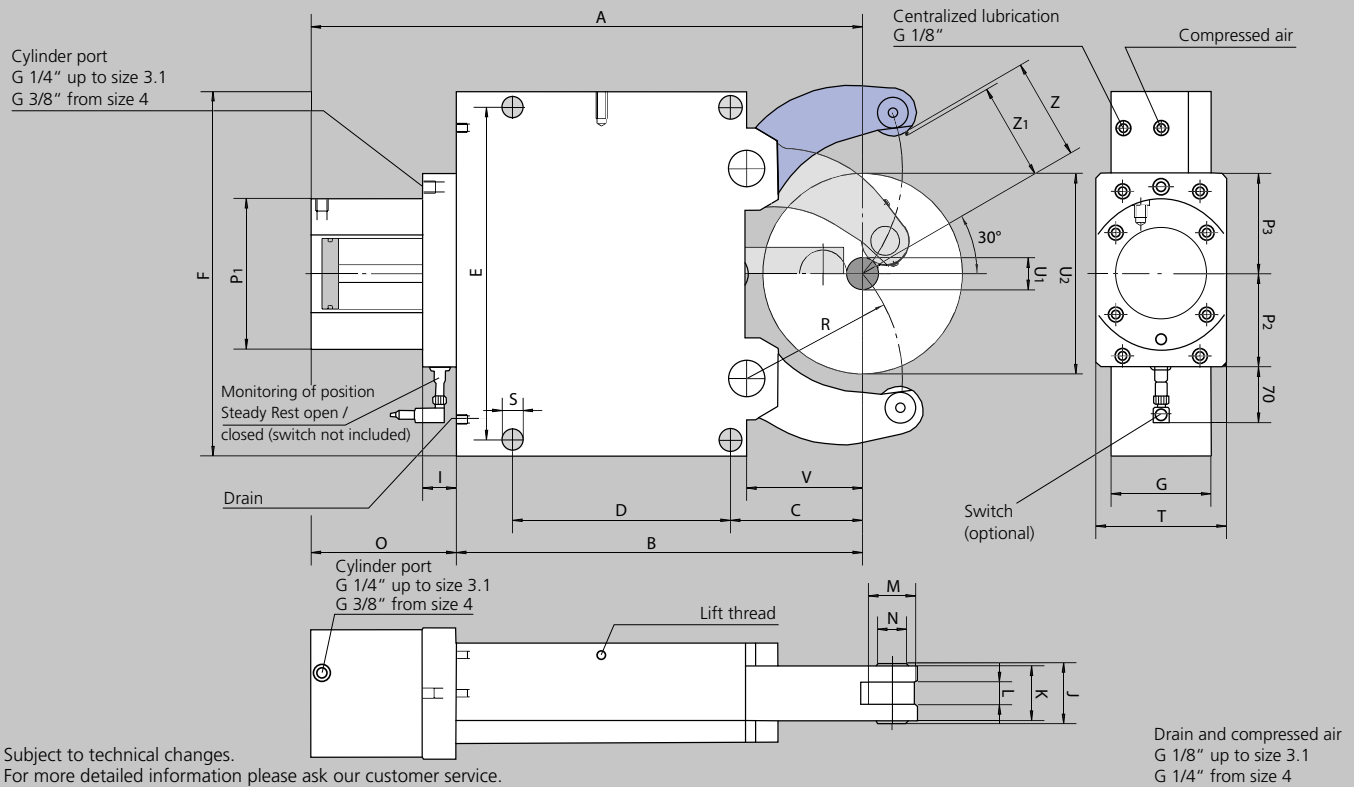
** On request 110 V available.

*** Attention: Reduced clamping force! Please refer to the clamping force value marked on the roller.

SLU-A

Self-centering Steady Rests
Basic line

- Additional pivoting upper arm
- Monitoring of position Steady Rest open and closed
- Hardened arms



SMW-AUTOBLOK Type Size		SLU-A 1	SLU-A 2	SLU-A 3	SLU-A 3.1	SLU-A 4	SLU-A 5	SLU-A 6
Centering range without chip guard	U1	4	8	12	22	30	45	160
	U2	52	80	130	150	220	268	460 *
Centering range with chip guard 3-piece	U1	8	12	14	22	30	50	160
	U2	52	80	130	150	220	268	460
	Z	26.5	41	66	76	111	135	230 *
	Z1	24	34	62	72	106.5	130	225 *
	A	207	279.5	429	437	608	697.5	944.5
	B	137	195	312	320	448	510	709
	C	51	70	115	123	146	178	215
	D	64	85	135	135	240	270	330
	E	118	170	262	262	365	400	610 / 640
	F	132	190	290	290	400	440	680
	G	55	70	85	85	110	145	145
	I	33	33	37	37	37	37	37
	J	26	42	52	52	67	83	83
	K	20	35	45	45	60	75	75
Width of rollers	L	12	19	25	25	25	29	29
Diameter of rollers	M	19	35	47	47	52	62	80
Diameter of collars	N	6	21	25	25	32	36	42
	O	70	84.5	117	117	160	187.5	235.5
	P1	84	102	137	137	165	165	190
	P2	66	72	90	90	102	102	115
	P3	66	75	100	100	110	110	130
	R	50.5	74	119	124	172	209	290
	S	11	14	18	18	23	23	27
	T	70	70	100	100	144	144	158
	V	37	52	85	93	128	160	175
Piston area	cm ²	7	19.6	50	50	78	78	132
Operation pressure min. / max.	bar	6 / 50	8 / 70	8 / 60	8 / 60	8 / 60	8 / 80	8 / 70
Max. clamping force / roller	daN	100	450	1000	1000	1500	2000	3000
Centering accuracy within the whole range	mm	0.02	0.02	0.04	0.04	0.05	0.06	0.06
Repeatability accuracy	mm	0.005	0.005	0.007	0.007	0.007	0.01	0.01
Max. roller surface speed	m/min	800	800	725	725	715	600	560
Weight approx.	kg	6	14	39	40	92	152	420

* SLU-A 6: loading diameter U2 = 460 only under 19° installation.














- Ordering review
- Accessories
- Wearing parts

SLU-A Steady Rest (including 1 set of SMW-AUTOBLOK cylindrical rollers)

Steady Rest size		1	2	3	3.1	4	5	6
SLU-A-M Manual lubrication	Id. No.	024458	024459	024460	024461	122546	024463	026591
SLU-A-Z Central lubrication oil	Id. No.	024482	024483	024673	024674	122545	024485	026593
SLU-A-OLD Central lubrication oil + air	Id. No.	027656	027657	027658	027659	122547	027661	027662

Type SLU-A

◆ means wearing parts, recommended stock items

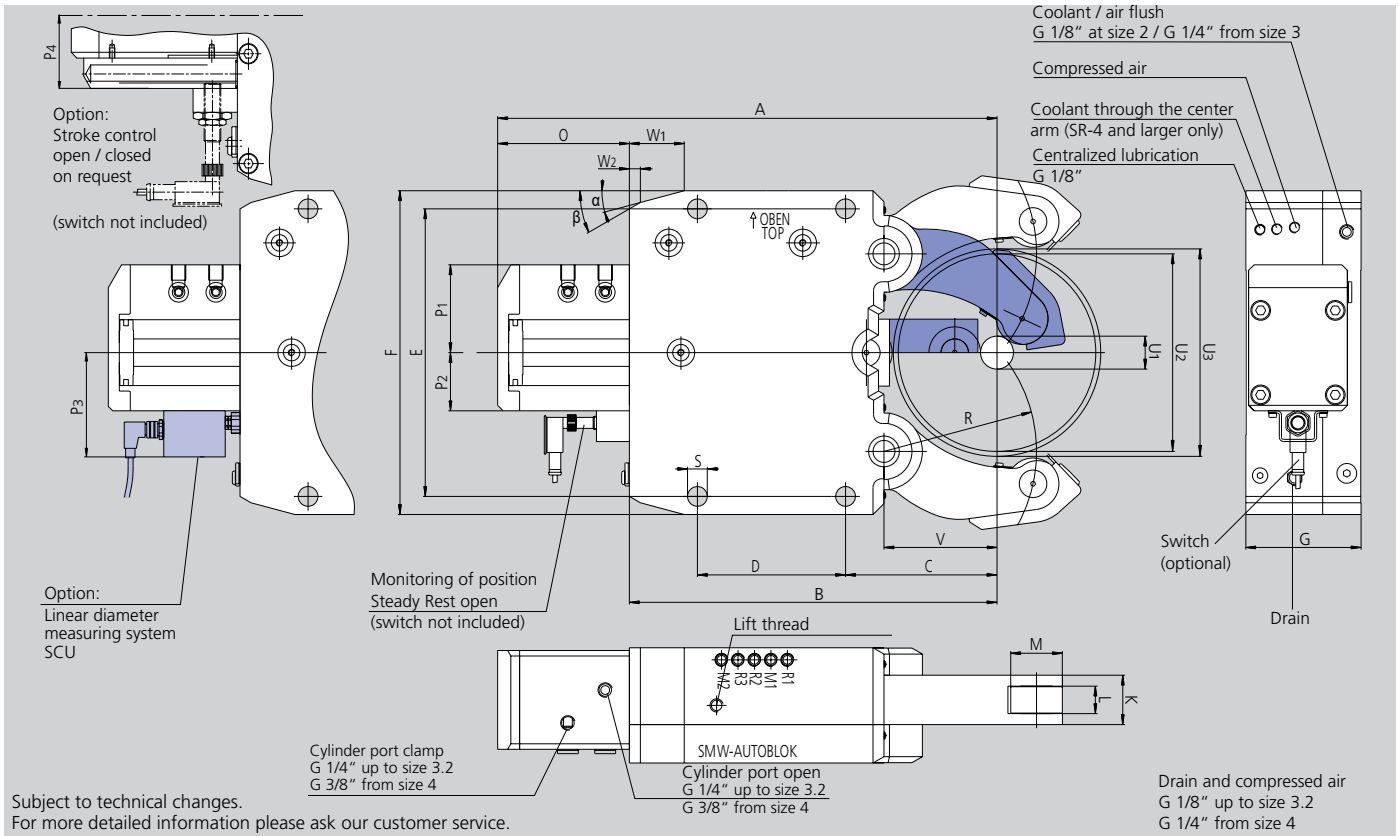
Steady Rest size		1	2	3	3.1	4	5	6
Compact lubrication system for oil pressure lubrication Container 2.7 l, 220 V *,**		088707	088707	088707	088707	088707	088707	088707
Compact lubrication system for oil + air lubrication Container 2.7 l, 220 V *,**		088708	088708	088708	088708	088708	088708	088708
Eccenter fine adjustment compl. at lever arm (2 pcs. per Steady Rest)		-	026120	018437	018437	018444	018450	026595
Inductive limit switch		087926	087926	087926	087926	087926	087926	087926
Swarf guard (3-pieces)	 ◆	026115	026116	026117	026117	026118	026119	026597
Spring loaded chip guard	 ◆	025781	025760	025759	025759	025758	025757	026596
Roller stripper (2-pieces) for middle piece	 ◆	029795	029796	029797	029797	029798	029799	029800
Rollers cylindrical design	 ◆	017869	016952	016951	016951	016953	018345	026594
Rollers spherical design	 ◆	016900	017658	018433	018433	018443	019545	121302
Rollers synthetic material***	 ◆	024409	029451	023443	023443	023672	023650	227357
Roller stripper (2-pieces) for middle piece with roller synthetic material	 ◆	029795	197520	029797	029797	205400	029799	-
Rollers carbide	 ◆	128794	129223	129225	129225	220918	222038	on request
Adjustment device 1 set = 3 pieces		-	-	200178	200178	200179	200179	200179

* When placing an order please advise voltage.

** On request 110 V available.

*** Attention: Reduced clamping force! Please refer to the clamping force value marked on the roller.

- Sealed body
- Integrated coolant flush
- Chip guard with coolant nozzles
- Stroke control unit or proximity switch for end position open



SMW-AUTOBLOK Type Size		SR 2	SR 3	SR 3.1	SR 3.2	SR 4	SR 5	SR 5.1	SR 6
Centering range with coolant chip guard	U1	20 (8*)	28 (12*)	25 (20*)	50	30	45	85	125
	U2	101 (92**)	152	165	200	245	310	350	460
Max. axial clearing diameter	U3	106	162	172	202	253	320	352	466
	A	277	428	436	455	603	697	717	953.5
	B	195	312	320	335	448	510	530	715
	C	70	115	123	138	146	178	198	215
	D	85	135	135	135	240	270	270	330
	E	170	262	262	262	365	400	400	610 / 640
	F	195	295	295	295	405	440	440	680
	G	75	105	105	105	125	150	150	175
	K	35	45	45	45	60	75	75	85
Width of rollers	L	19	25	25	25	25	29	29	32
Diameter of rollers	M	35	47	47	47	52	62	62	90
	O	82	116	116	120	155	187	187	238.5
	P1	63	85	85	85	91	97	97	122
	P2	40	53	53	53	61	63	63	88
	P3	82	95	95	95	103	105	105	130
	P4	61	74	74	74	82	84	84	109
	R	74	119	124	139	172	209	229	290
	S	14	18	18	18	23	23	23	27
	V	51	85	93	103	128	160	180	190
	W1	30	50	50	50	58	62	62	100
	W2	11.2	10	10	10	18.3	19.1	19.1	22
	α	15°	15°	15°	15°	15°	18°	18°	10°
	β	30°	30°	30°	30°	40°	40°	40°	50°
Piston area***	cm ²	19.6	38.5	38.5	38.5	63.6	78.5	78.5	176.7
Operating pressure min. / max.	bar	8 / 70	8 / 80	8 / 80	8 / 80	8 / 70	8 / 80	8 / 80	8 / 75
Max. clamping force / roller	daN	450	1000	1000	1000	1500	2000	2000	4500
Centering accuracy within the whole range	mm	0.02	0.04	0.04	0.04	0.05	0.06	0.06	0.06
Repeatability accuracy	mm	0.005	0.007	0.007	0.007	0.007	0.01	0.01	0.01
Max. roller surface speed	m/min	800	725	725	725	715	600	600	560
Weight approx.	kg	14	56	57	59	117	174	178	436

* The Steady Rest can be modified to this clamping range (see instruction manual page 24) if the coolant chip guard is not used.
 ** Can be loaded axially. Radial loading with chip guard Ø 92, without chip guard Ø 101.
 *** Cylinder sizes different from standard available on request.

- Ordering review
- Accessories
- Wearing parts

SR Steady Rest with stroke control Steady Rest open via proximity switch (without proximity switch)***

Steady Rest size		2	3	3.1	3.2	4	5	5.1	6
SR-M Manual lubrication	Id. No.	128161	128167	128184	127511	127001	128001	128039	128426
SR-Z Central lubrication oil	Id. No.	128160	128166	128185	127510	127000	128000	128038	128425
SR-OLD Central lubrication oil + air	Id. No.	128162	128168	128186	127512	127002	128002	128040	128427
SR-F Central grease lubrication	Id. No.	225568	on request	222282	227176	on request	227600	on request	on request

SR Steady Rest with stroke control via linear stroke control SCU, output 4 - 20 mA








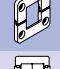
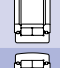
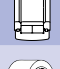

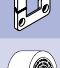


Steady Rest size		2	3	3.1	3.2	4	5	5.1	6
SR-M Manual lubrication	Id. No.	on request	128169	128187	126559	127017	128017	128046	128451
SR-Z Central lubrication oil	Id. No.	220432	128170	128188	126560	127016	128016	128045	128450
SR-OLD Central lubrication oil + air	Id. No.	on request	128171	128189	126561	127018	128018	128047	128452
SR-F Central grease lubrication	Id. No.	on request	on request	on request	on request	on request	on request	on request	on request

SR Steady Rest with stroke control via linear stroke control SCU, output 0 - 10 V

Steady Rest size		2	3	3.1	3.2	4	5	5.1	6
SR-M Manual lubrication	Id. No.	on request	128172	128190	126563	127022	128021	128049	128453
SR-Z Central lubrication oil	Id. No.	220434	128173	128191	126564	127021	128020	128048	128454
SR-OLD Central lubrication oil + air	Id. No.	on request	128174	128192	126565	127023	128022	128050	128455
SR-F Central grease lubrication	Id. No.	on request	on request	on request	on request	on request	on request	on request	on request

Type SR

◆ means wearing parts, recommended stock items

Steady Rest size		2	3	3.1	3.2	4	5	5.1	6
Compact lubrication system for oil pressure lubrication Container 2.7 l, 220 V *,**		088707	088707	088707	088707	088707	088707	088707	088707
Compact lubrication system for oil + air lubrication Container 2.7 l, 220 V *,**		088708	088708	088708	088708	088708	088708	088708	088708
Eccenter fine adjustment compl. at lever arm (2 pieces per Steady Rest)		127237	127240	127240	127240	128474	128584	128584	128585
Inductive limit switch		087926	087926	087926	087926	087926	087926	087926	087926
Swarf guard coolant / air with wiper		128106	124024	124024	124024	125797	125816	125816	128442
Wiper for swarf guard coolant / air	 ◆	128108	124026	124026	124026	126904	126888	126888	128444
Swarf guard (3-pieces)	 ◆	026116	026117	026117	-	-	-	-	-
Roller stripper (2-pieces) for middle piece	 ◆	200154	198950	198950	198950	200151	200152	200152	200153
Roller cylindrical design	 ◆	016952	016951	016951	016951	016953	018345	018345	028971
Roller spherical design	 ◆	017658	018433	018433	018433	018443	019545	019545	129825
Roller synthetic material****	 ◆	029451	023443	023443	023443	023672	023650	023650	227357
Roller stripper (2-pieces) for middle piece with roller synthetic material	 ◆	204211	204212	204212	204212	204214	204216	204216	-
Roller carbide	 ◆	129223	129225	129225	129225	220918	222038	222038	on request
Adjustment device 1 set = 3 pieces		-	200178	200178	200178	200179	200179	200179	200179

* When placing an order, please advise voltage.

** On request 110 V available.

*** Stroke control open / closed on request.

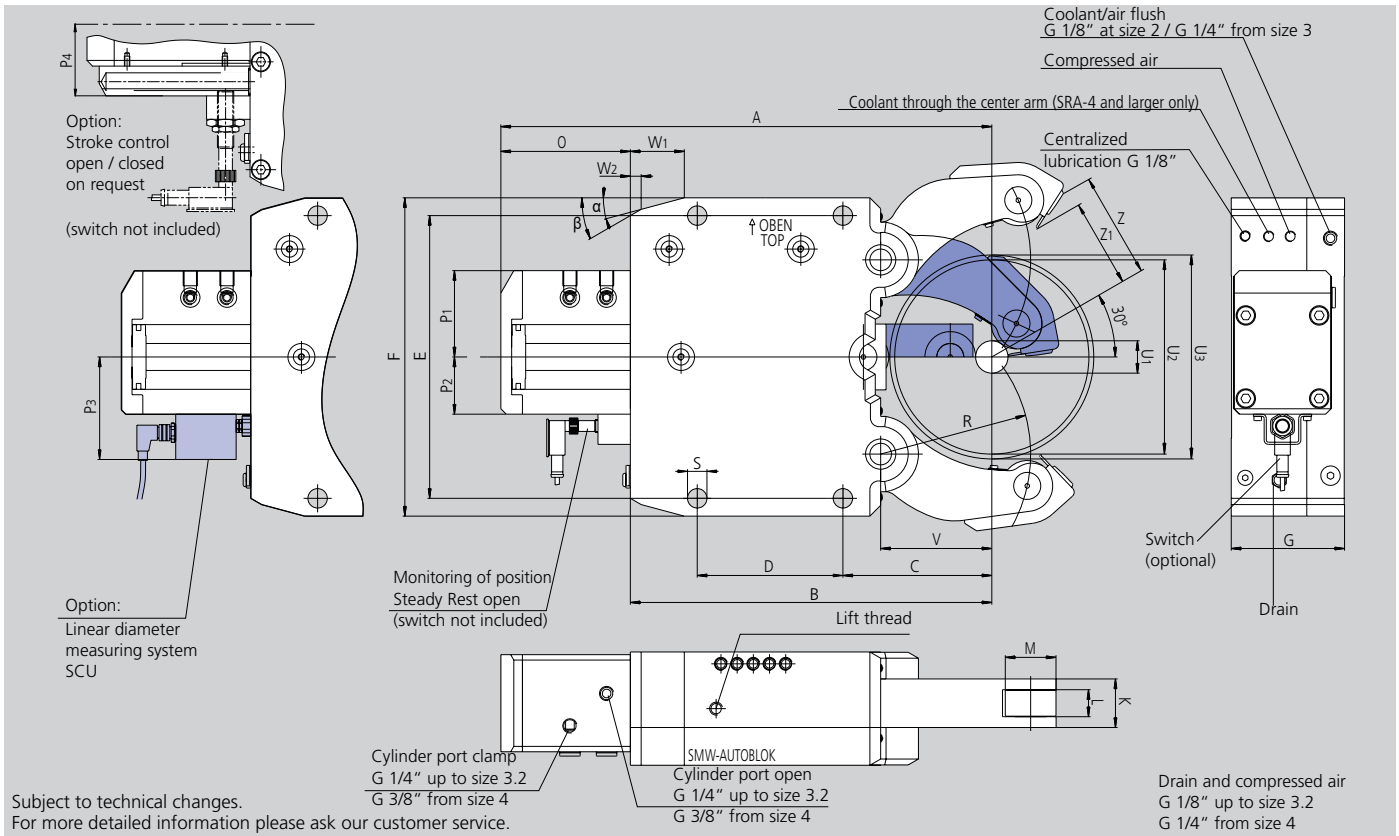
**** Attention: Reduced clamping force! Please refer to the clamping force value marked on the roller.

SRA

Self-centering Steady Rests
Premium line

Additional pivoting upper arm for vertical loading

- Sealed body
- Integrated coolant flush
- Chip guard with coolant nozzles
- Stroke control unit or proximity switch for end position open



SMW-AUTOBLOK Type Size		SRA 2	SRA 3	SRA 3.1	SRA 4	SRA 5	SRA 6	
Centering range with coolant chip guard	U1	20 (8*)	28 (12*)	25 (22*)	30	45	175	
	U2	80	130	150	220	268	460	
Max. axial clearing diameter	U3	99	162	168	253	295	466	
Vertical loading with chip guard	Z1	35	58	68	103	121	215**	
Vertical loading without chip guard	Z	41	66	76	111	135	231	
	A	277	428	436	603	697	953.5	
	B	195	312	320	448	510	715	
	C	70	115	123	146	178	215	
	D	85	135	135	240	270	330	
	E	170	262	262	365	400	680	
	F	195	295	295	405	440	610 / 640	
	G	75	105	105	125	150	175	
	K	35	45	45	60	75	85	
	L	19	25	25	25	29	32	
	Width of rollers	M	35	47	47	52	62	90
	Diameter of rollers	O	82	116	116	155	187	238.5
		P1	63	85	85	91	97	122
		P2	40	53	53	61	63	88
		P3	82	95	95	103	105	130
P4		61	74	74	82	84	109	
R		74	119	124	172	209	290	
S		14	18	18	23	23	27	
V		51	85	93	128	160	190	
W1		30	50	50	58	62	100	
W2		11.2	10	10	18.3	19.1	22	
α		15°	15°	15°	15°	18°	10°	
β		30°	30°	30°	40°	40°	50°	
Piston area***		cm ²	19.6	38.5	38.5	63.6	78.5	176.7
Operating pressure min. / max.		bar	70	80	80	70	80	75
Max. clamping force / roller	daN	450	1000	1000	1500	2000	4500	
Centering accuracy within the whole range	mm	0.02	0.04	0.04	0.05	0.06	0.06	
Repeatability accuracy	mm	0.005	0.007	0.007	0.007	0.01	0.01	
Max. roller surface speed	m/min	800	725	725	715	600	560	
Weight approx.	kg	14	56	57	117	174	436	

* The Steady Rest can be modified to this clamping range (see instruction manual page 24) if the coolant chip guard is not used.
 ** SRA-6: Loading diameter only under 19° installation.
 *** Cylinder sizes different from standard available on request.

- Ordering review
- Accessories
- Wearing parts

SRA Steady Rest with stroke control Steady Rest open via proximity switch (without proximity switch)***

Steady Rest size		2	3	3.1	4	5	6
SRA-M Manual lubrication	Id. No.	128163	128175	128193	127025	128025	128457
SRA-Z Central lubrication oil	Id. No.	128164	128176	128194	127024	128024	128456
SRA-OLD Central lubrication oil + air	Id. No.	128165	128177	128195	127026	128026	128458
SRA-F Central grease lubrication	Id. No.	227453	226444	on request	on request	on request	on request

SRA Steady Rest with stroke control via linear stroke control SCU, output 4 - 20 mA








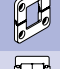
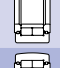
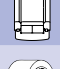

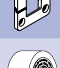

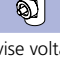
Steady Rest size		2	3	3.1	4	5	6
SRA-M Manual lubrication	Id. No.	227454	128178	128196	127031	128031	128467
SRA-Z Central lubrication oil	Id. No.	on request	128179	128197	127030	128030	128468
SRA-OLD Central lubrication oil + air	Id. No.	on request	128180	128198	127032	128032	128469
SRA-F Central grease lubrication	Id. No.	227455	on request	on request	on request	on request	on request

SRA Steady Rest with stroke control via linear stroke control SCU, output 0 - 10 V

Steady Rest size		2	3	3.1	4	5	6
SRA-M Manual lubrication	Id. No.	227456	128181	128199	127034	128035	128471
SRA-Z Central lubrication oil	Id. No.	on request	128182	128200	127033	128034	128470
SRA-OLD Central lubrication oil + air	Id. No.	on request	128183	128201	127035	128036	128472
SRA-F Central grease lubrication	Id. No.	227457	on request	on request	on request	on request	on request

Type SRA

◆ means wearing parts, recommended stock items

Steady Rest size		2	3	3.1	4	5	6
Compact lubrication system for oil pressure lubrication Container 2.7 l, 220 V *,**		088707	088707	088707	088707	088707	088707
Compact lubrication system for oil + air lubrication Container 2.7 l, 220 V *,**		088708	088708	088708	088708	088708	088708
Eccenter fine adjustment compl. at lever arm (2 pieces per Steady Rest)		127237	127240	127240	128474	128584	128585
Inductive limit switch		087926	087926	087926	087926	087926	087926
Swarf guard coolant / air with wiper		128106	124024	124024	125797	125816	128442
Wiper for swarf guard coolant / air	 ◆	128108	124026	124026	126904	126888	128444
Swarf guard (3-pieces)	 ◆	026116	026117	026117	-	-	-
Roller stripper (2-pieces) for middle piece	 ◆	200154	198950	198950	200151	200152	200153
Roller cylindrical design	 ◆	016952	016951	016951	016953	018345	028971
Roller spherical design	 ◆	017658	018433	018433	018443	019545	129825
Roller synthetic material****	 ◆	029451	023443	023443	023672	023650	227357
Roller stripper (2-pieces) for middle piece with roller synthetic material	 ◆	204211	204212	204212	204214	204216	-
Roller carbide	 ◆	129223	129225	129225	220918	222038	on request
Adjustment device 1 set = 3 pieces		-	200178	200178	200179	200179	200179

* When placing an order, please advise voltage.

** On request 110 V available.

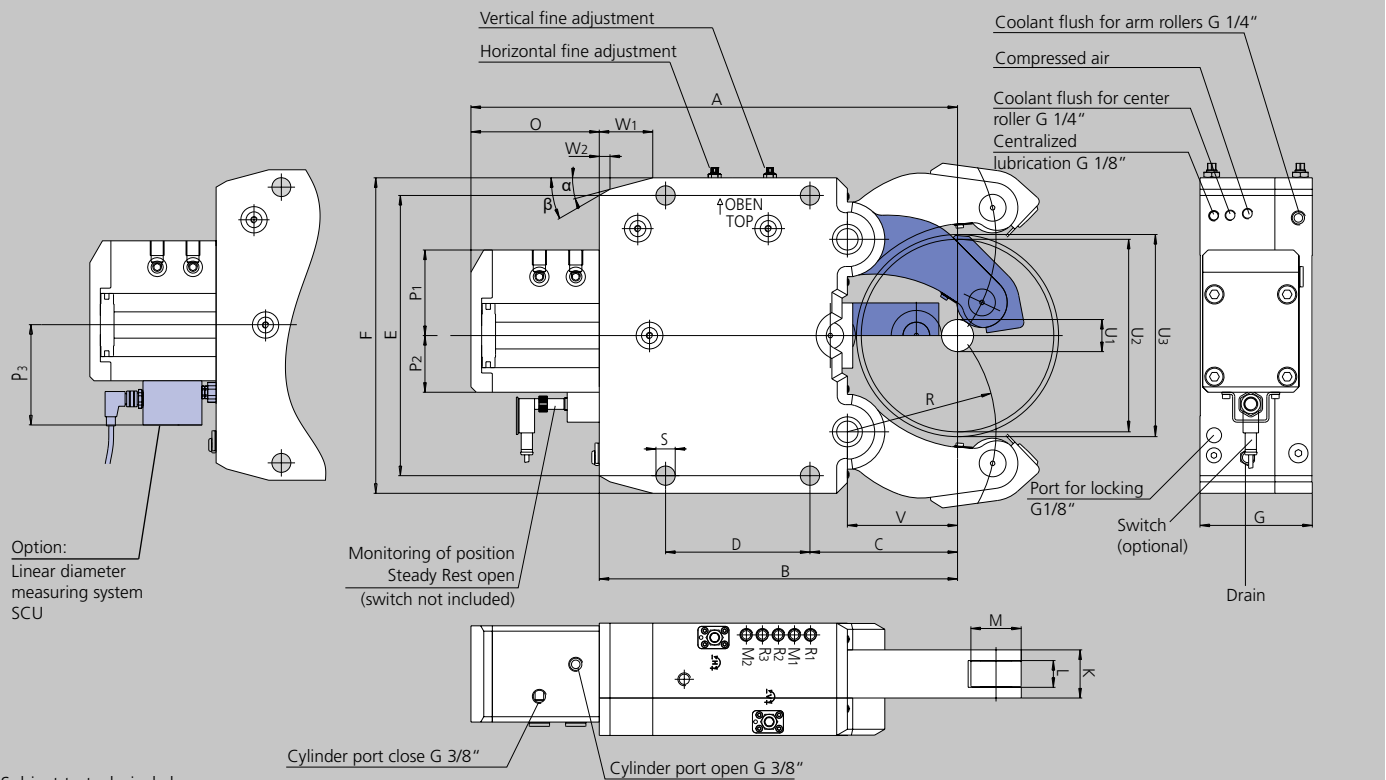
*** Stroke control open / closed on request.

**** Attention: Reduced clamping force! Please refer to the clamping force value marked on the roller.

SR-CL

Self-centering Steady Rests
Premium line – with fine adjustment

- With fine adjustment of the clamped workpiece
- Sealed body
- Integrated coolant flush
- Chip guard with coolant nozzles



Subject to technical changes.
For more detailed information please ask our customer service.

Drain and compressed air G 1/4"

SMW-AUTOBLOK Type Size		SR-CL 4	SR-CL 5	SR-CL 5.1	SR-CL 6
Id. No.		222070	222071	222072	222073
Centering range with coolant chip guard	U1	30	45	85	125
	U2	245	310	350	460
Max. axial clearing diameter	U3	253	320	352	466
Horizontal adjustment range	mm	± 0.3	± 0.4	± 0.4	± 0.5
Vertical adjustment range	mm	± 0.3	± 0.4	± 0.4	± 0.5
	A	603	697	717	953.5
	B	448	510	530	715
	C	146	178	198	215
	D	240	270	270	330
	E	365	400	400	610
	F	405	440	440	680
	G	130	160	160	180
	K	60	75	75	85
Width of rollers	L	25	29	29	32
Diameter of rollers	M	52	62	62	90
	O	155	187	187	238.5
	P1	91	97	97	122
	P2	61	63	63	88
	P3	103	105	105	130
	R	172	209	229	290
	S	23	23	23	27
	V	128	160	180	190
	W1	58	62	62	22
	W2	18.3	19.1	19.1	100
	α	15°	18°	18°	10°
	β	40°	40°	40°	50°
Piston area	cm ²	63.6	78.5	78.5	176.7
Operating pressure min. / max.	bar	8/70	8/80	8/80	8/75
Max. clamping force / roller	daN	1500	2000	2000	4500
Centering accuracy within the whole range	mm	0.05	0.06	0.06	0.06
Repeatability accuracy	mm	0.007	0.01	0.01	0.01
Max. roller surface speed	m/min	715	600	600	560
Weight approx.	kg	121	178	182	441

SR-CL

Self-centering Steady Rests
Premium line – with fine adjustment

- Ordering review
- Accessories
- Wearing parts

SR-CL Steady Rest with stroke control Steady Rest open via proximity switch (without proximity switch)

Steady Rest size		4	5	5.1	6
SR-CL-M Manual lubrication	Id. No.	on request	on request	on request	on request
SR-CL-Z Central lubrication oil	Id. No.	222070	222071	222072	222073
SR-CL-OLD Central lubrication oil + air	Id. No.	on request	on request	on request	on request
SR-CL-F Central grease lubrication	Id. No.	on request	on request	on request	on request

SR-CL Steady Rest with stroke control via linear stroke control SCU, output 4 - 20 mA





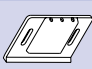
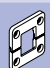
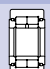
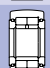




Steady Rest size		4	5	5.1	6
SR-CL-M Manual lubrication	Id. No.	on request	on request	on request	on request
SR-CL-Z Central lubrication oil	Id. No.	on request	on request	on request	on request
SR-CL-OLD Central lubrication oil + air	Id. No.	on request	on request	on request	on request
SR-CL-F Central grease lubrication	Id. No.	on request	on request	on request	on request

SR-CL Steady Rest with stroke control via linear stroke control SCU, output 0 - 10 V

Steady Rest size		4	5	5.1	6
SR-CL-M Manual lubrication	Id. No.	on request	on request	on request	on request
SR-CL-Z Central lubrication oil	Id. No.	on request	on request	on request	on request
SR-CL-OLD Central lubrication oil + air	Id. No.	on request	on request	on request	on request
SR-CL-F Central grease lubrication	Id. No.	on request	on request	on request	on request

Type SR-CL

◆ means wearing parts, recommended stock items

Steady Rest size		4	5	5.1	6
Compact lubrication system for oil pressure lubrication Container 2.7 l, 220 V *, **		088707	088707	088707	088707
Compact lubrication system for oil + air lubrication Container 2.7 l, 220 V *, **		088708	088708	088708	088708
Inductive limit switch		087926	087926	087926	087926
Swarf guard coolant / air with wiper		222594	222596	222596	221976
Wiper for swarf guard coolant/air	 ◆	222595	222597	222597	221699
Roller stripper (2-pieces) for middle piece	 ◆	200151	200152	200152	200153
Roller cylindrical design	 ◆	016953	018345	018345	028971
Roller spherical design	 ◆	018443	019545	019545	129825
Roller synthetic material***	 ◆	023672	023650	023650	227357
Roller stripper (2-pieces) for middle piece with roller synthetic material	 ◆	204214	204216	204216	-
Roller carbide	 ◆	220918	222038	222038	on request
Adjustment device 1 set = 3 pieces		200179	200179	200179	200179

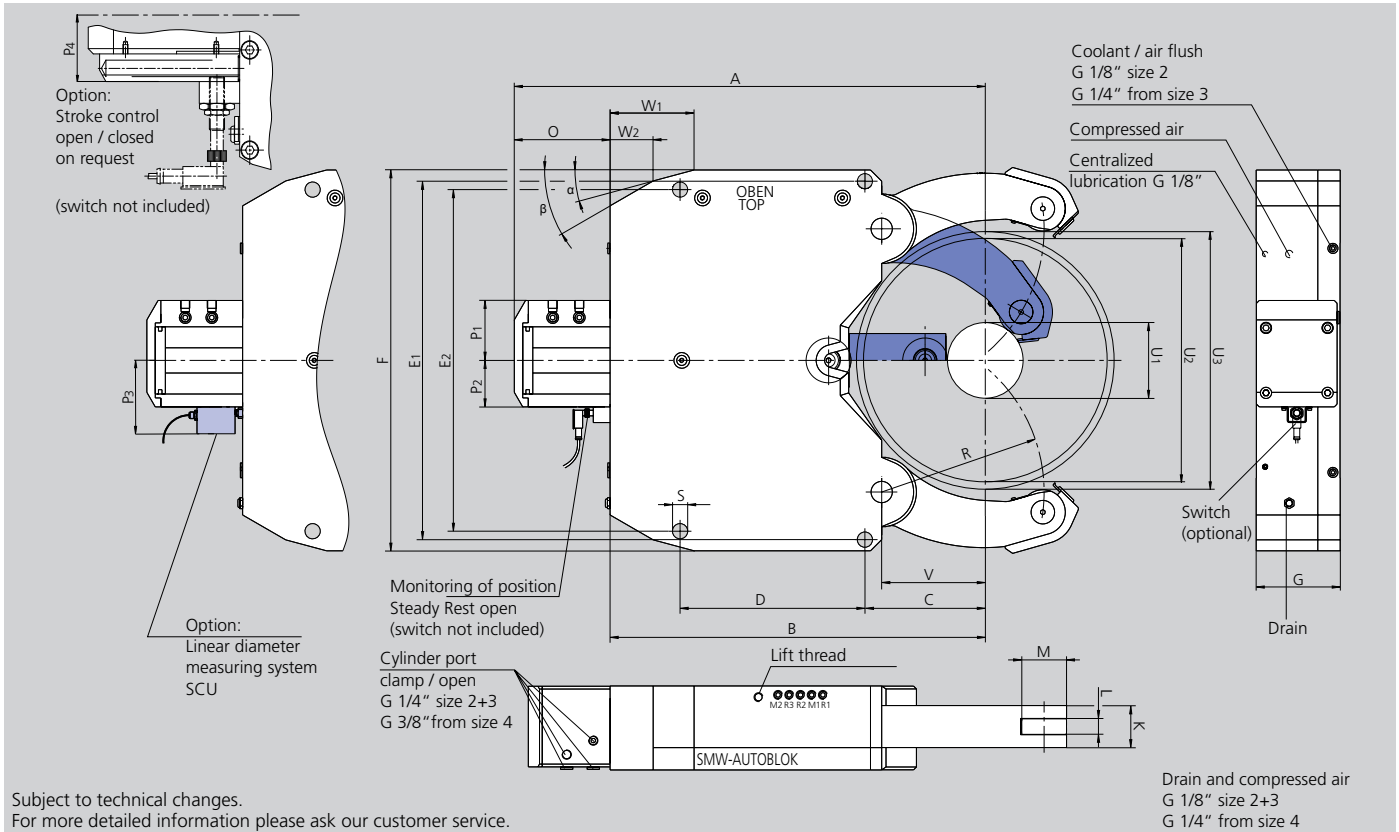
* When placing an order, please advise voltage.

** On request 110 V available.

*** Attention: Reduced clamping force! Please refer to the clamping force value marked on the roller.

Self-centering Steady Rests
Premium line

- Sealed body
- Chip guard with coolant nozzles
- Stroke control unit or proximity switches



SMW-AUTOBLOK Type Size		K 2	K 3	K 4	K 4.1	K 5	K 5.1	K 6	K 6.1
Centering range with coolant chip guard	U1	25	65	52	90	80	100	135	215
	U2	180	235	280	330	390	410	460	510
Max. axial clearing diameter	U3	188	242	285	331	404	424	464	512
	A	400	443	582	612	753	763	816	815.5
	B	305	355	460	490	607	617	670	680
	C	120	150	168	198	230	240	215	245
	D	120	140	180	180	240	240	330	300
	E1	270	312	360	360	445	445	640	640
	E2	270	312	360	360	445	445	610	610
	F	295	345	400	400	485	485	680	680
	G	75	105	125	125	150	150	150	150
	K	35	45	60	60	75	75	75	75
Width of rollers	L	19	25	25	25	29	29	29	29
Diameter of rollers	M	35	47	52	52	62	62	80	80
	O	95	88	122	122	146	146	146	135.5
	P1	63	92	91	91	97	97	107	107
	P2	40	62	67	67	73	73	83	83
	P3	82	104	109	109	115	115	125	125
	P4	-	-	91	91	97	97	107	107
	R	124	155	200	228	265	275	290	310
	S	14	18	23	23	23	23	27	27
	V	90	115	140	170	195	205	185	215
	W1	50	50	110	110	130	130	150	155
	α	10	15°	15°	15°	15°	15°	15°	20°
	W2	26.1	10	59.8	59.8	50.6	50.6	77	87.1
	β	35°	30°	30°	30°	30°	30°	30°	30°
Piston area*	cm ²	19.6	38.5	63	63	78	78	113	113
Operating pressure min. / max.	bar	8 / 70	8 / 80	8 / 70	8 / 70	8 / 80	8 / 80	8 / 80	8 / 80
Max. clamping force / roller	daN	450	1000	1500	1500	2000	2000	3000	3000
Centering accuracy w. the whole range	mm	0.03	0.05	0.06	0.06	0.07	0.07	0.07	0.07
Repeatability accuracy	mm	0.005	0.007	0.007	0.007	0.01	0.01	0.01	0.01
Max. roller surface speed	m/min	800	725	715	715	600	600	560	560
Weight approx.	kg	52	64	114	116	209	209	335	330

* Cylinders differing from standard available on request.

- Ordering review
- Accessories
- Wearing parts

K Steady Rest with stroke control Steady Rest open via proximity switch (without proximity switch)***

Steady Rest size		2	3	4	4.1	5	5.1	6	6.1
K-M Manual lubrication	Id. No.	223566	127251	129901	129121	127485	127559	127491	127497
K-Z Central lubrication oil	Id. No.	223565	127252	129900	129120	127484	127558	127490	127496
K-OLD Central lubrication oil + air	Id. No.	223567	127253	129902	129122	127486	127560	127492	127498
K-F Central grease lubrication	Id. No.	223568	220200	129903	129400	221815	221100	223494	223495

K Steady Rest with stroke control via linear stroke control SCU, output 4 - 20 mA

Steady Rest size		2	3	4	4.1	5	5.1	6	6.1
K-M Manual lubrication	Id. No.	on request	127266	221401	221409	124981	124984	124987	124990
K-Z Central lubrication oil	Id. No.	on request	127265	221400	221408	124980	124983	124986	124989
K-OLD Central lubrication oil + air	Id. No.	on request	127267	221402	221410	124982	124985	124988	124991
K-F Central grease lubrication	Id. No.	on request	on request	221403	221411	on request	on request	on request	on request

K Steady Rest with stroke control via linear stroke control SCU, output 0 - 10 V

Steady Rest size		2	3	4	4.1	5	5.1	6	6.1
K-M Manual lubrication	Id. No.	on request	127269	221405	221413	125120	125123	125126	125129
K-Z Central lubrication oil	Id. No.	on request	127268	221404	221412	125119	125122	125125	125128
K-OLD Central lubrication oil + air	Id. No.	on request	127270	221406	221414	125121	125124	125127	125130
K-F Central grease lubrication	Id. No.	on request	on request	221407	221415	on request	on request	on request	on request

Type K

◆ means wearing parts, recommended stock items

Steady Rest size		2	3	4	4.1	5	5.1	6	6.1
Compact lubrication system for oil pressure lubrication Container 2.7 l, 220 V *,**		088707	088707	088707	088707	088707	088707	088707	088707
Compact lubrication system for oil + air lubrication Container 2.7 l, 220 V *,**		088708	088708	088708	088708	088708	088708	088708	088708
Eccenter fine adjustment compl. at lever arm (2 pcs. per Steady Rest)		127237	127240	128474	128474	125612	125612	124894	124894
Inductive limit switch		087926	087926	087926	087926	087926	087926	087926	087926
Swarf guard coolant / air with wiper		128106	124024	125797	125797	125816	125816	125837	125837
Wiper for swarf guard coolant / air	◆	128108	124026	126904	126904	126888	126888	126694	126694
Roller stripper for middle piece (2 pieces)	◆	200154	198950	200151	200151	200152	200152	203268	203268
Roller cylindrical design	◆	016952	016951	016953	016953	018345	018345	026594	026594
Roller spherical design	◆	017658	018433	018443	018443	019545	019545	121302	121302
Roller synthetic material ****	◆	029451	023443	023672	023672	023650	023650	227357	227357
Roller stripper (2-pieces) for middle piece with roller synthetic material	◆	204211	204212	204214	204214	204216	204216	-	-
Roller carbide	◆	129223	129225	220918	220918	222038	222038	on request	on request
Adjustment device 1 set = 3 pcs.		200178	200178	200179	200179	200179	200179	200179	200179

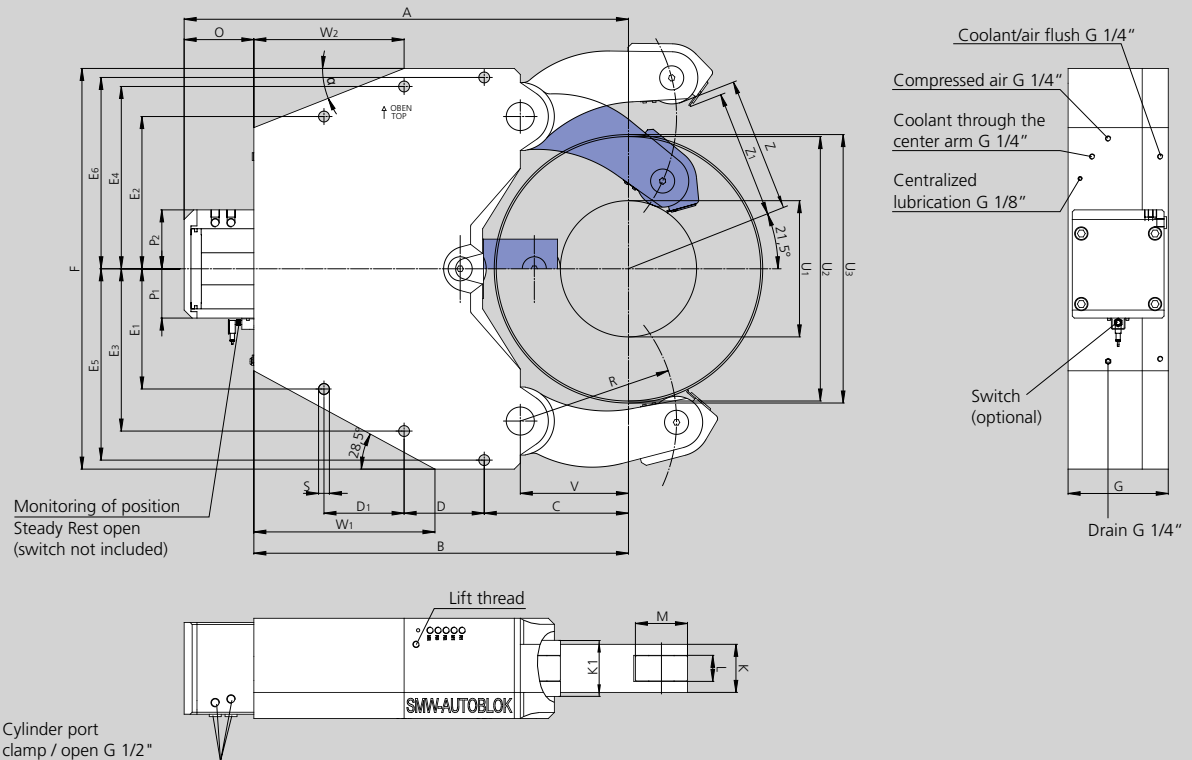
* When placing an order, please advise voltage.

** On request 110 V available.

*** Stroke control open / closed on request.

**** Attention: Reduced clamping force! Please refer to the clamping force value marked on the roller.

- Compact design, sealed body
- Chip guard with coolant nozzles
- Double guided center arm to carry heavy loads
- Excenter fine adjustment on the outer arms



Subject to technical changes.
For more detailed information please ask our customer service.

SMW-AUTOBLOK Type		KA 7	KA 7.1
Centering range with coolant chip guard	U1	340	650
	U2	660	910
Max. axial clearing diameter	U3	670	916
Vertical loading without chip guard	Z	347.6	472
Vertical loading with chip guard	Z1	330.7	456
	A	1109	1165
	B	935	1015
	C	360	450
	D	210	220
	D1	210	220
	E1	300	240
	E2	380	320
	E3	405	365
	E4	455	415
	E5	477.5	477.5
	E6	477.5	477.5
	F	1000	1000
	G	250	250
Width of outer arms	K	120	120
Width of center arm	K1	140	140
Width of rollers	L	65	65
Diameter of rollers	M	130	130
	O	174	150
	P1	123	123
	P2	147	147
	R	390	530
	S	27	27
	V	270	390
	W1	452	522
	W2	375	485
	α	21.5°	22°
Piston area	cm ²	314	314
Operating pressure max.	bar	80	80
Max. clamping force / roller	daN	8500	8500
Centering accuracy within the whole range	mm	0.08	0.08
Repeatability accuracy	mm	0.03	0.03
Max. roller surface speed	m/min	560	560
Weight approx.	kg	975	896






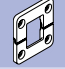


- Ordering review
- Accessories
- Wearing parts

KA Steady Rest with stroke control Steady Rest open via proximity switch (without proximity switch)***

Steady Rest size		KA 7	KA 7.1
KA-M Manual lubrication	Id. No.	222901	222951
KA-Z Central lubrication oil	Id. No.	222900	222950
KA-OLD Central lubrication oil + air	Id. No.	222902	222952
KA-F Central grease lubrication	Id. No.	222903	222953

Type KA

◆ means wearing parts, recommended stock items

Steady Rest size		KA 7	KA 7.1
Compact lubrication system for oil pressure lubrication Container 2.7 l, 220 V *,**		088707	088707
Compact lubrication system for oil + air lubrication Container 2.7 l, 220 V *,**		088708	088708
Inductive limit switch		087926	087926
Swarf guard coolant / air with wiper		222944	222944
Wiper for swarf guard coolant / air	 ◆	222994	222994
Roller stripper for middle piece	 ◆	202358	202358
Rollers cylindrical design	 ◆	028525	028525
Adjustment device 1 set = 3 pcs.		205696	205696

* When placing an order, please advise voltage.

** On request 110 V available.

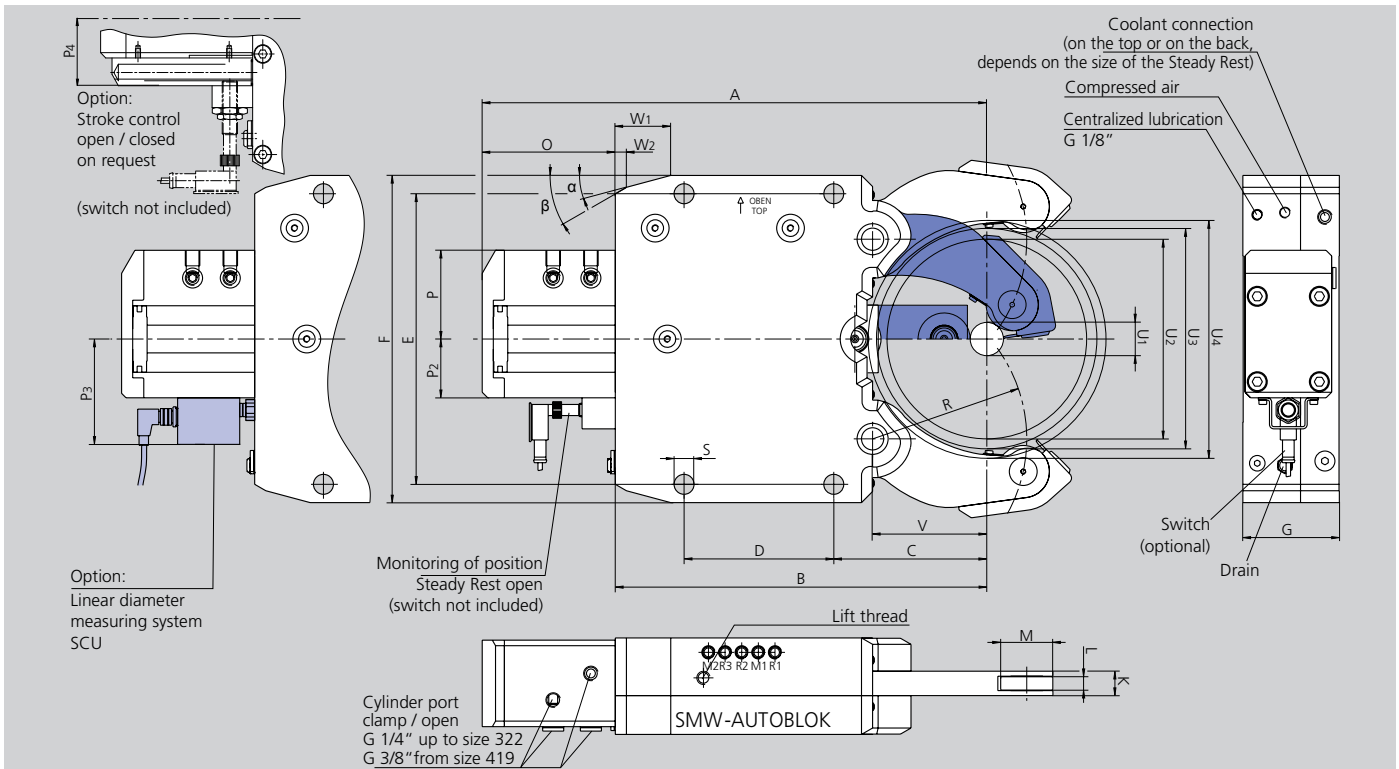
*** Stroke control open / closed on request.

KLU / KLU-A

Narrow arms for crankshafts

Self-centering Steady Rests
Premium line

- Sealed body
- Chip guard with coolant nozzles
- Stroke control unit or proximity switches



Subject to technical changes.
For more detailed information please ask our customer service.

Drain and compressed air
G 1/8" only size 322
G 1/4" from size 419

SMW-AUTOBLOK Type Size		KLU 215	KLU 218	KLU 222	KLU 318	KLU 322	KLU 419	KLU 422	KLU 429	KLU-A 530	KLU-A 540
Centering range with coolant chip guard	U1	20 (12*)	20 (12*)	20 (12*)	30	30	30	30	30	70	70
	U2	101 (92**)	101 (92**)	101 (92**)	180	180	245	245	245	293	293
Max. axial clearing diameter	U3	106	106	106	189	189	253	253	253	330	330
Max. interference diameter	U4	116	116	116	215	215	282	282	282	370	370
	A	275	275	275	455	455	602	602	602	703	703
	B	195	195	195	335	335	448	448	448	530	530
	C	70	70	70	138	138	146	146	146	198	198
	D	85	85	85	135	135	240	240	240	270	270
	E	170	170	170	262	262	365	365	365	400	400
	F	195	195	195	295	295	405	405	405	440	440
	G	59	62	66	83	87	89	92	99	105	115
Width of rollers	K	15	18	22	18	22	19	22	29	30	40
	L	8	10	13	10	13	10	13	16	16	20
Diameter of rollers	M	35	35	35	47	47	52	52	52	62	62
	O	80	80	80	120	120	154	154	154	173	173
	P1	58	58	58	80	80	80	80	80	88	88
	P2	40	40	40	53	53	53	53	53	59	59
	P3	-	-	-	95	95	95	95	95	101	101
	P4	61	61	61	74	74	74	74	74	80	80
	R	74	74	74	139	139	172	172	172	229	229
	S	14	14	14	18	18	23	23	23	23	23
	V	51	51	51	103	103	128	128	128	180	180
	W1	30	30	30	50	50	58	58	58	62	62
	W2	11.2	11.2	11.2	10	10	18.3	18.3	18.3	19	19
	α	15°	15°	15°	15°	15°	15°	15°	15°	18°	18°
	β	30°	30°	30°	30°	30°	40°	40°	40°	40°	40°
Piston area***	cm ²	12.5	12.5	12.5	28.3	28.3	28.3	28.3	28.3	50.2	50.2
Operation pressure min. / max.	bar	8 / 50	8 / 65	8 / 80	8 / 60	8 / 75	8 / 70	8 / 80	8 / 80	8 / 70	8 / 80
Max. clamping force / roller	daN	210	270	335	565	700	660	750	750	1170	1340
Centering accuracy within the whole range	mm	0.03	0.03	0.03	0.05	0.05	0.06	0.06	0.06	0.07	0.07
Repeatability accuracy	mm	0.007	0.007	0.007	0.007	0.007	0.01	0.01	0.01	0.01	0.01
Max. roller surface speed	m/min	750	750	750	715	715	700	700	700	700	700
Weight approx.	kg	14	15	16	33	36	70	74	85	100	125

* The Steady Rest can be modified to this clamping range (see instruction manual page 24) if the coolant chip guard is not used.

** Can be loaded axially. Radial loading with chip guard Ø 92, without chip guard Ø 101.

*** Cylinder sizes different from standard available on request.

- Ordering review
- Accessories
- Wearing parts

KLU Steady Rest with stroke control Steady Rest open via proximity switch (without proximity switch)***

Steady Rest size		215	218	222	318	322	419	422	429	530	540
KLU-Z Central lubrication oil	Id. No.	128280	128282	128284	127528	127530	127534	127536	127538	127542	127544
KLU-OLD Central lubrication oil + air	Id. No.	128281	128283	128285	127529	127531	127535	127537	127539	127543	127545
KLU-F Central grease lubrication	Id. No.	on request	on request	on request	on request	on request	on request	on request	on request	on request	on request

KLU Steady Rest with stroke control via linear stroke control SCU, output 4 - 20 mA


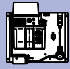
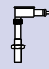



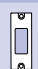


Steady Rest size		215	218	222	318	322	419	422	429	530	540
KLU-Z Central lubrication oil	Id. No.	-	-	-	125637	125655	125365	125398	125421	125988	126050
KLU-OLD Central lubrication oil + air	Id. No.	-	-	-	125638	125656	125366	125399	125422	125989	126051
KLU-F Central grease lubrication	Id. No.	-	-	-	on request	on request	226246	on request	on request	on request	on request

KLU Steady Rest with stroke control via linear stroke control SCU, output 0 - 10 V

Steady Rest size		215	218	222	318	322	419	422	429	530	540
KLU-Z Central lubrication oil	Id. No.	-	-	-	125640	125657	125369	125400	125423	125992	126052
KLU-OLD Central lubrication oil + air	Id. No.	-	-	-	125641	125658	125370	125401	125424	125993	126053
KLU-F Central grease lubrication	Id. No.	-	-	-	on request	on request	on request	on request	on request	on request	on request

Type KLU

◆ denotes wearing parts, recommended stock items

Steady Rest size		215	218	222	318	322	419	422	429	530	540
Compact lubrication system for oil pressure lubrication Container 2.7 l, 220 V *,**		088707	088707	088707	088707	088707	088707	088707	088707	088707	088707
Compact lubrication system for oil + air lubrication Container 2.7 l, 220 V *,**		088708	088708	088708	088708	088708	088708	088708	088708	088708	088708
Inductive limit switch		087926	087926	087926	087926	087926	087926	087926	087926	087926	087926
Swarf guard coolant / air with wiper		128270	128273	128276	125633	125652	125360	125394	125417	127036	126046
Wiper for swarf guard coolant / air	 ◆	128272	128275	128278	126905	126906	126907	126906	126908	126909	126910
Swarf guard 3-pcs.	 ◆	125906	126055	126058	-	-	-	-	-	-	-
Roller stripper for middle piece	 ◆	197995	197996	197997	197998	197999	198000	198001	198002	198003	198004
Roller cylindrical design	 ◆	122794	020062	020759	017861	002411	017676	084766	019541	125964	019612
Adjustment device 1 set = 3 pcs.		-	-	-	200178	200178	200179	200179	200179	200179	200179

* When placing an order, please advise voltage.

** On request 110 V available.

*** Stroke control open / closed on request.

SMW-AUTOBLOK

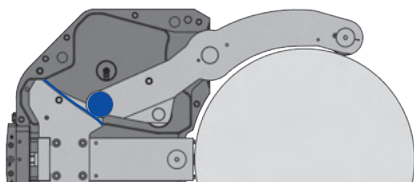
Extra compact

Steady Rest

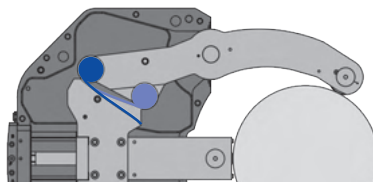
Type RX



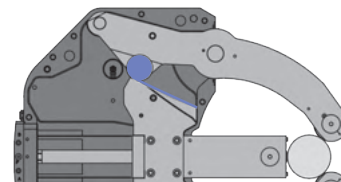
Double curve system



Cam 1 is driving **roller 1**.
They cover the first 50% of the clamping stroke.



Cam 2 and **roller 2** are taking over
in the transition zone between **Cam 1**
and **roller 1**.



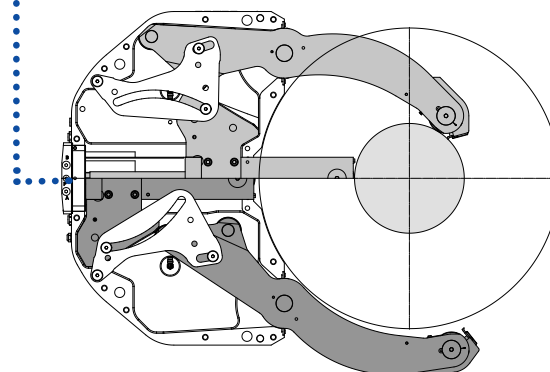
Cam 2 is driving **roller 2**.
They cover the second 50% of the clamping stroke.

Features included in standard range

Steady Rest type	Premium line
	RX
Steady Rest size	3 - 6.1
Sealed body	■
Safety valve (integrated in pressure booster)	■
Stroke control without proximity switch	■
1 set swarf guard with integrated coolant flush*	■
1 set cylindrical rollers	■
Port for compressed air	■
Port for coolant through arms incl. chip guard	■
Toolbox	■

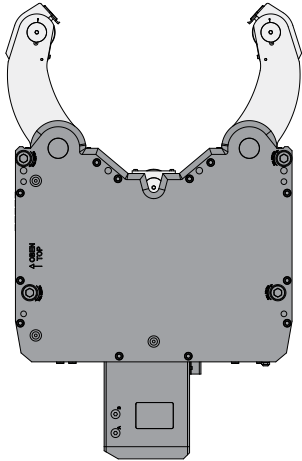
* At RX3, integrated coolant flush optional

Integrated hydraulic cylinder with pressure booster

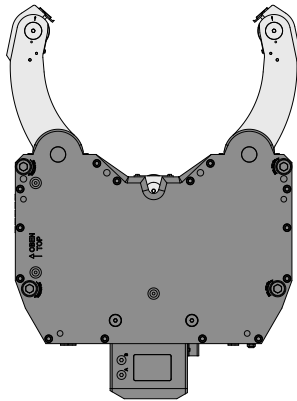


Size comparison

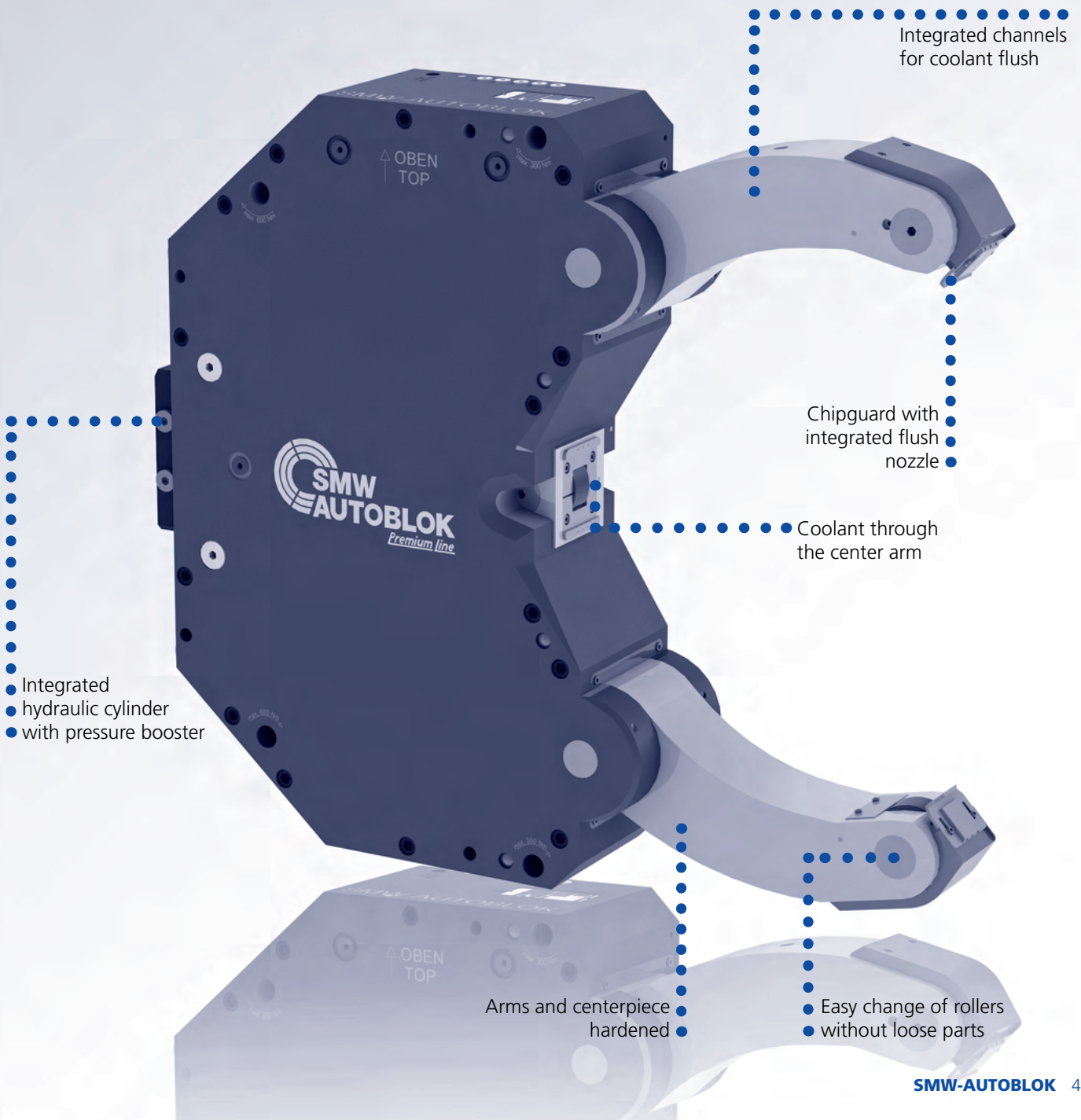
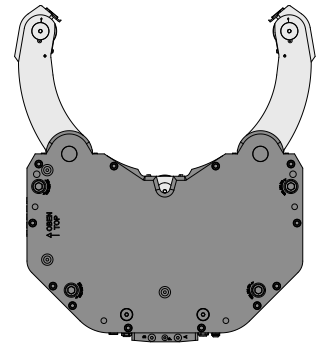
SR 6
Clamping range
125 - 460 mm



K 6.1
Clamping range
215 - 510 mm

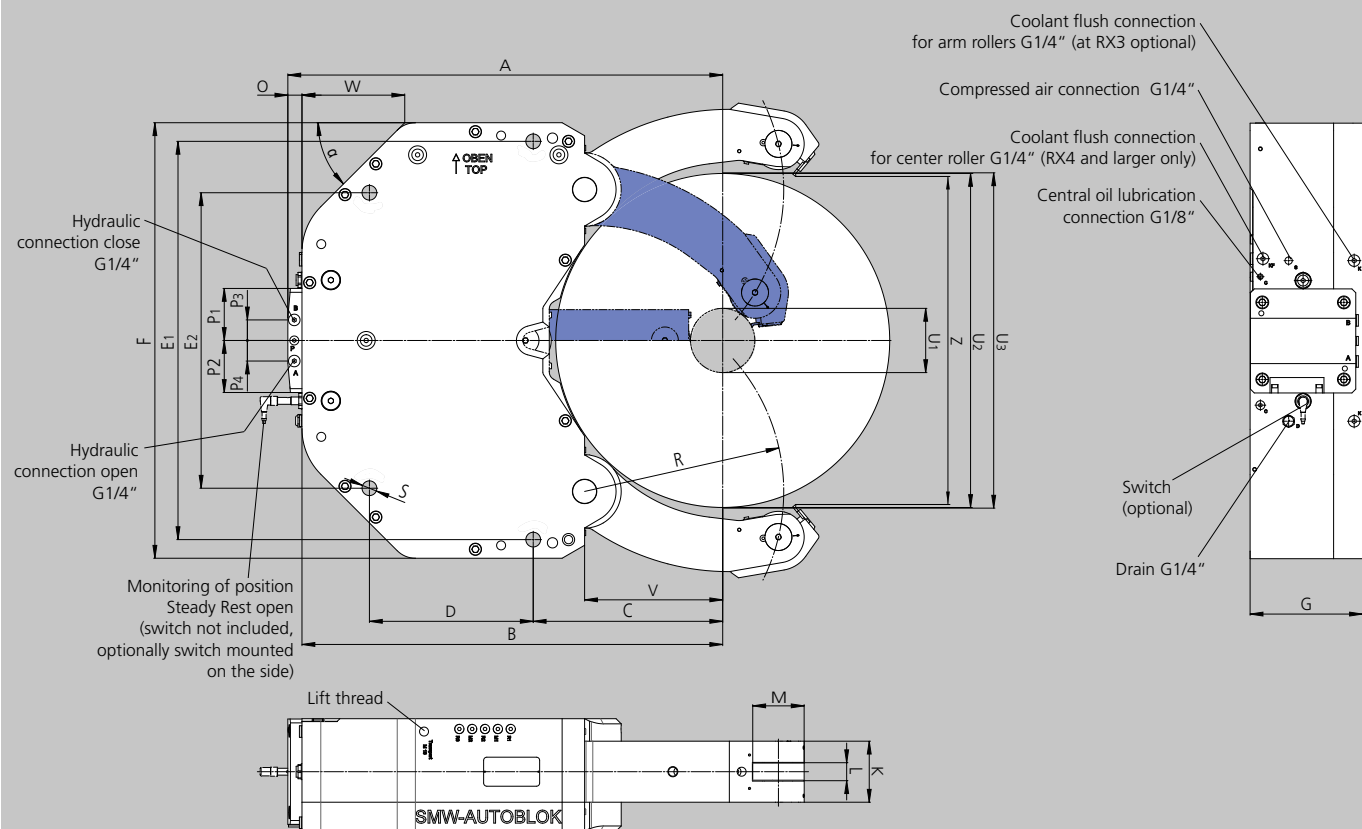


RX 6
Clamping range
100 - 520 mm



Extra compact Steady Rest

- Integrated cylinder
- Sealed body
- Chip guard with coolant nozzles
- Stroke control with proximity switch



Subject to technical changes.
For more detailed information please ask our customer service.

SMW-AUTOBLOK Type Size		RX 3	RX 4	RX 5	RX 6	RX 6.1	
Centering range with coolant chip guard	U1	20	35	75	100	250	
Max. clamping diameter*	U2	270	340	430	520	685	
Max. axial clearing diameter	U3	275	345	432	522	687	
	A	430	504	599	677	792	
	B	408	482	577	655	770	
	C	140	170	225	295	370	
	D	170	220	235	255	290	
	E1	400	460	490	620	720	
	E2	340	360	360	460	520	
	F	440	500	530	678	760	
	G	150	155	165	175	175	
	K	75	80	85	95	95	
Width of rollers	L	25	25	29	29	29	
Diameter of rollers	M	47	52	62	80	80	
	O	22	22	22	22	22	
	P1	81	81	81	81	81	
	P2	81	81	81	81	81	
	P3	30	30	30	30	30	
	P4	30	30	30	30	30	
	R	164	210	270	310	395	
	S	18	23	23	23	23	
	V	118	148	200	215	285	
	W	108	121	175	160	197	45.6
With coolant flush / without coolant flush	Z	270 / 279	332.8	432	510.6	682	
	α	45°	45°	38°	45°	40°	60°
Piston area	cm ²	12.56	12.56	12.56	19.63	19.63	
Operating pressure min. / max. „close“ **	bar	10 / 60	10 / 50	10 / 65	10 / 60	10 / 60	
Operating pressure min. / max. „open“ **	bar	20 / 60	20 / 50	20 / 65	20 / 60	20 / 60	
Max. clamping force / roller	daN	1000	1500	2000	3000	3000	
Centering accuracy over the whole range	mm	0.08	0.1	0.1	0.1	0.1	
Repeatability accuracy	mm	0.007	0.01	0.01	0.01	0.01	
Max. roller surface speed	m/min	725	715	600	560	560	
Weight approx.	kg	120	152	190	295	325	

* Can be loaded axially. Radial loading is possible, without chip guard.

** 240 bar in the cylinder created by the pressure booster (ratio 1:4 RX3). 375 / 485 / 450 bar in the cylinder created by the pressure booster (ratio 1:7.5 RX4-6.1). In case a lower pressure for the function „Steady Rest close“ is needed, two independent pressure regulators for open and close have to be installed.

- Ordering review
- Accessories
- Wearing parts

RX Steady Rest with stroke control Steady Rest open via proximity switch (without proximity switch)

Steady Rest size		3	3 (incl. flush)	4	5	6	6.1
RX-M Manual lubrication	Id. No.	on request	227773	227370	226501	226975	on request
RX-Z Central lubrication oil	Id. No.	224670	224690	224700	224200	224140	224220
RX-OLD Central lubrication oil + air	Id. No.	227570	on request	on request	on request	227310	on request
RX-F Central grease lubrication	Id. No.	on request	227234	227235	227332	226900	on request

RX Steady Rest with stroke control via linear stroke control SCU, output 4 - 20 mA

Steady Rest size		3	3 (incl. flush)	4	5	6	6.1
RX-M Manual lubrication	Id. No.	on request	on request	on request	on request	on request	on request
RX-Z Central lubrication oil	Id. No.	227961	227962	on request	228045	on request	227311
RX-OLD Central lubrication oil + air	Id. No.	on request	on request	on request	on request	on request	on request
RX-F Central grease lubrication	Id. No.	on request	on request	on request	on request	on request	on request

RX Steady Rest with stroke control via linear stroke control SCU, output 0 - 10V

Steady Rest size		3	3 (incl. flush)	4	5	6	6.1
RX-M Manual lubrication	Id. No.	on request	on request	on request	on request	on request	on request
RX-Z Central lubrication oil	Id. No.	224946	227980	on request	225925	227766	on request
RX-OLD Central lubrication oil + air	Id. No.	on request	on request	on request	on request	on request	on request
RX-F Central grease lubrication	Id. No.	on request	on request	on request	on request	on request	on request

Type RX

◆ means wearing parts, recommended stock items

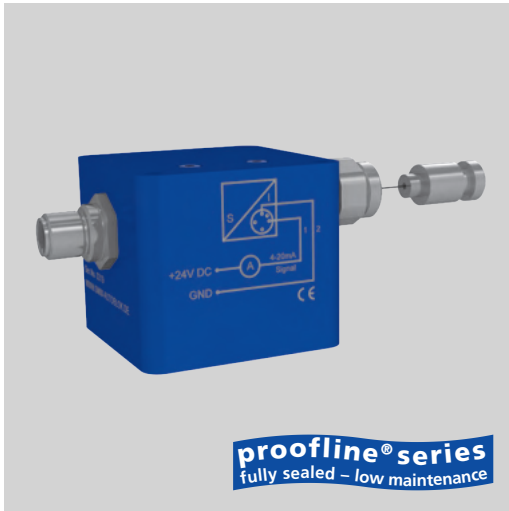
Steady Rest size		3	3 (incl. flush)	4	5	6	6.1
Compact lubrication system for oil pressure lubrication Container 2.7 l, 220 V *,**		088707	088707	088707	088707	088707	088707
Compact lubrication system for oil + air lubrication Container 2.7 l, 220 V *,**		088708	088708	088708	088708	088708	088708
Eccenter fine adjustment compl. at lever arm (2 pcs. per Steady Rest)		224665	224665	224694	224193	224196	224196
Inductive limit switch		087926	087926	087926	087926	087926	087926
Swarf guard (3-pieces)	◆	026117	-	-	-	-	-
Swarf guard coolant / air with wiper		-	224697	125797	125816	125837	125837
Wiper for swarf guard coolant / air	◆	-	124026	126904	126888	126694	126694
Roller stripper for middle piece (2-pieces)	◆	198950	198950	200151	200152	203268	203268
Roller cylindrical design	◆	016951	016951	016953	018345	026594	026594
Roller spherical design	◆	018433	018433	018443	019545	121302	121302
Roller synthetic material ***	◆	023443	023443	023672	023650	227357	227357
Roller stripper (2-pieces) for middle piece with roller synthetic material	◆	204212	204212	204214	204216	-	-
Roller carbide	◆	129225	129225	220918	222038	on request	on request
Adjustment device 1 set = 3 pcs.		200178	200178	200179	200179	200179	200179

* When placing an order, please advise voltage.

** On request 110 V available.

*** Attention: Reduced clamping force! Please refer to the clamping force value marked on the roller.

- Completely sealed, protection class IP 66
- Output signal 4-20 mA or 0-10 V



Application/customer benefits

- For SMW-AUTOBLOK Steady Rests
- Linear monitoring of the complete clamping stroke avoids collision with the tools, which is an added safety feature
- Time saving by only partial opening the Steady Rest (with corresponding hydraulic power unit)

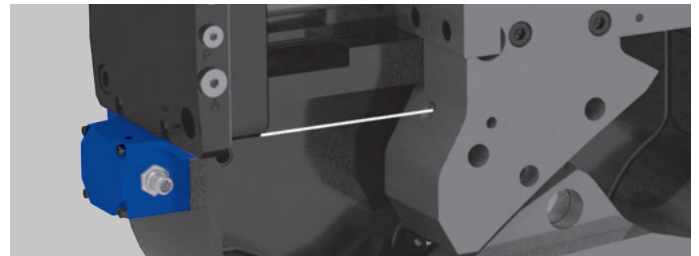
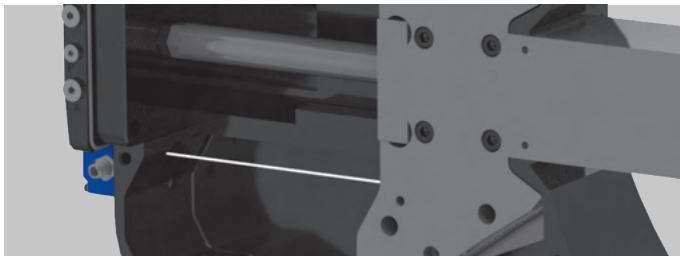
Technical features

- Protection class IP 66
- Output signal 4 - 20 mA or 0 - 10 V
- Electrical power supply 24 VDC
- **proofline®** = fully sealed – low maintenance

Accessories

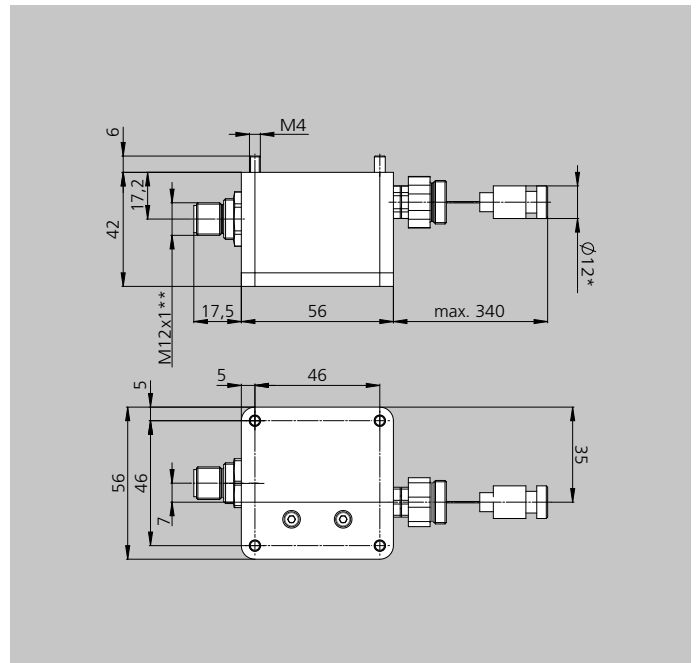
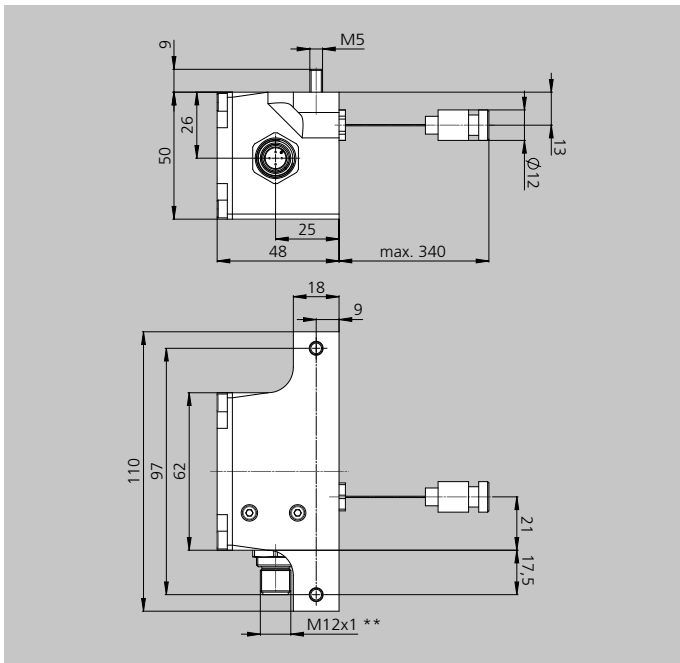
Sensor connection cable see LPS 4.0
(Plug M12 x 1 4-pin) see general catalog page 329

Installation and Position



Technical data for Steady Rests type RX
SCU, output 4 - 20 mA: Id. No. 224244
SCU, output 0 - 10 V: Id. No. 225924

Technical data for other Steady Rest types
SCU, output 4 - 20 mA: Id. No. 225440
SCU, output 0 - 10 V: Id. No. 226122



Note for both SCU types: It is about a two-wire system. The measuring current is simultaneously acting to feed the transformer. Subject to technical changes. For more detailed information please ask our customer service.

* For mounting Steady Rests type KLU: \varnothing 8 mm.

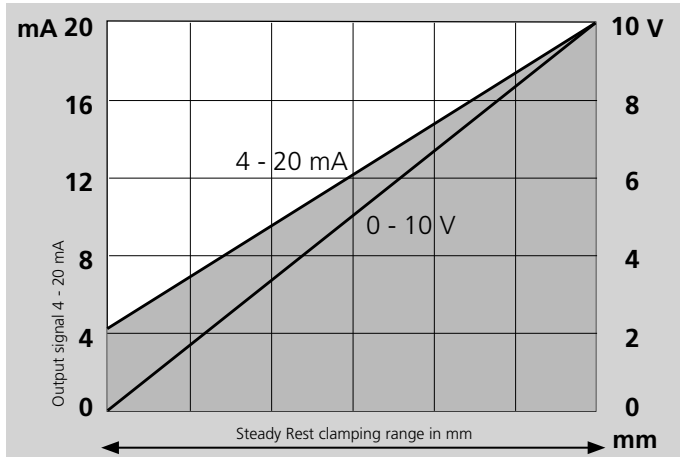
** Connector 4-pin.

Cables for LPS 4.0 14 IO*	Length	Id. No.
Sensor connection cable straight plug M8 x 1 5-pin	5 m	0E011315
	10 m	0E011316
	15 m	0E011317



- Completely sealed, protection class IP 66
- Output signal 4 - 20 mA or 0 - 10 V

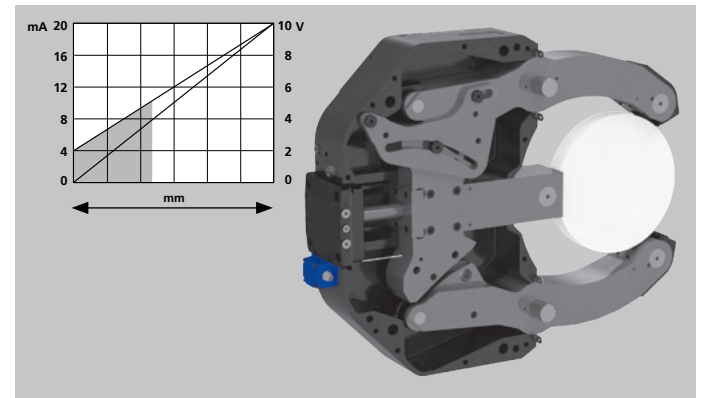
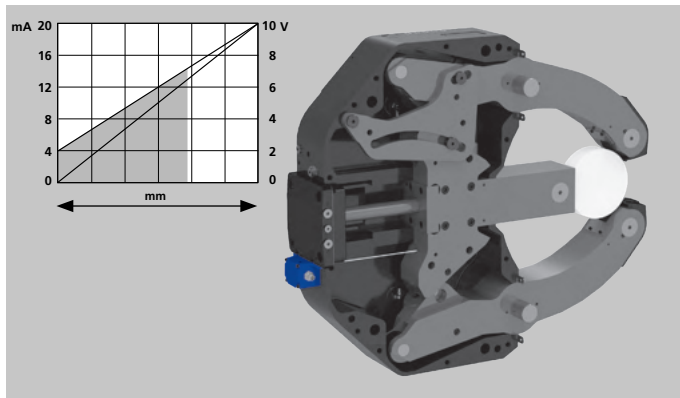
Linear stroke control unit SCU



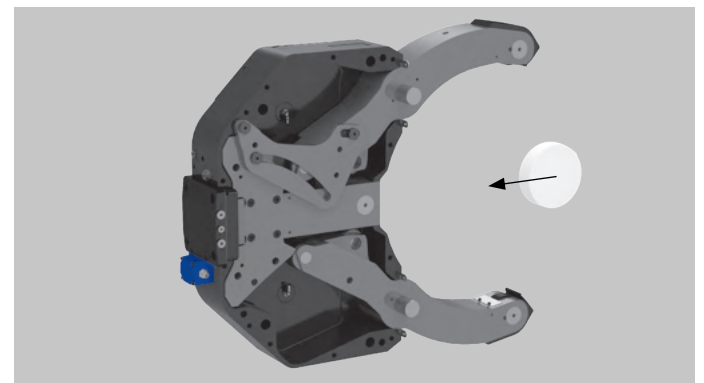
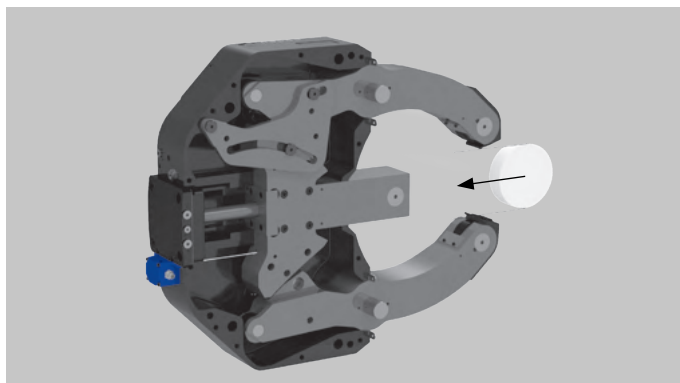
The linear stroke control unit type SCU provides a linear output signal between min. 4 mA and max. 20 mA depending on the Steady Rest clamping range. This allows to detect any position of the Steady Rest, and thus of the Steady Rest arms, safely.

- Time saving by only partial opening the Steady Rest (with corresponding hydraulic power unit).
- Collision protection by evaluation of the output signal of the machine control.

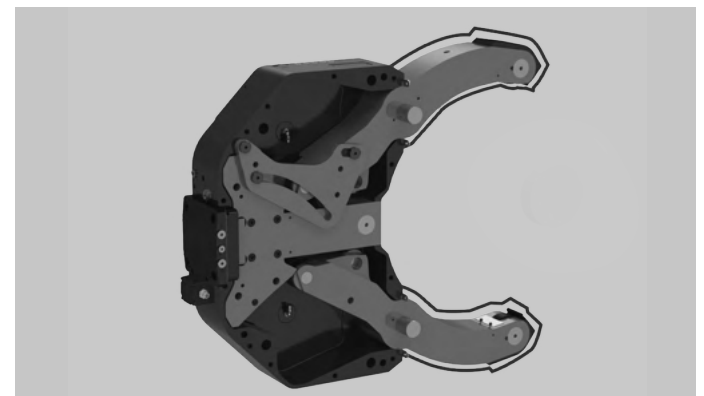
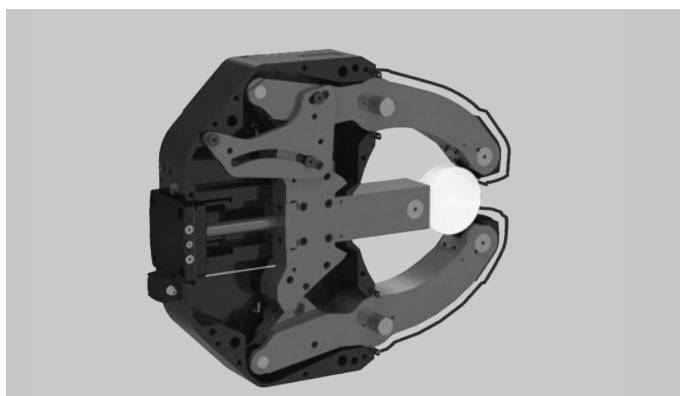
Output signal depending on the Steady Rest clamping range



Time saving by only partial opening of the Steady Rest



Collision protection by evaluation of the output signal



- Fine adjustment of the center
- Retractable Steady Rest arms



Application/customer benefits

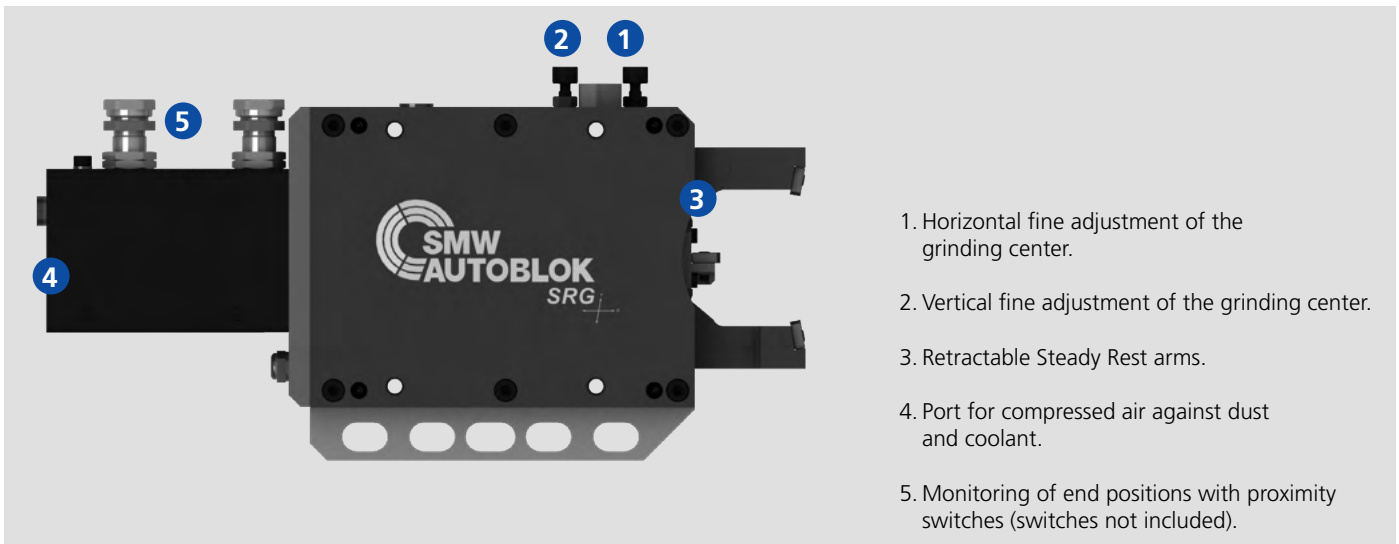
- Support of shaft type workpieces on grinding machines
- Particularly suitable for the machining of crankshafts and camshafts
- Rapid set up of the Steady Rest to the grinding center with the sensitive fine adjustment of the grinding center
- Suitable for follow down grinding
- Retractable Steady Rest arms for autoloading of workpieces
- Monitoring of end positions for process safety

Standard equipment

Basic grinding Steady Rest SRG

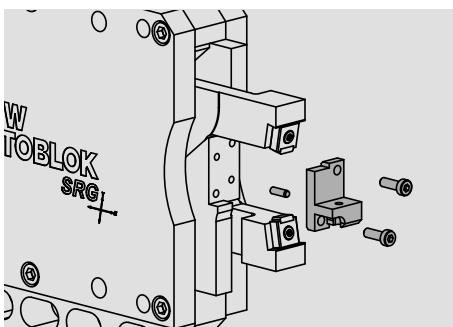
(Padholder for the middle piece, clamping kit and pad kits are not scope of delivery. For these parts please see the overview for the configurations below)

Technical details



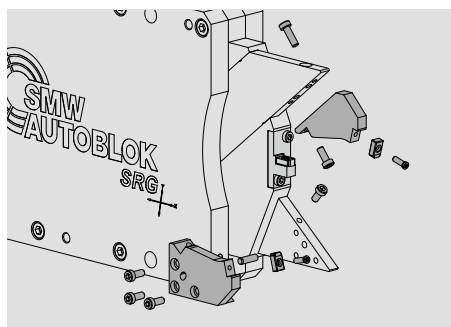
1. Horizontal fine adjustment of the grinding center.
2. Vertical fine adjustment of the grinding center.
3. Retractable Steady Rest arms.
4. Port for compressed air against dust and coolant.
5. Monitoring of end positions with proximity switches (switches not included).

Overview Configuration



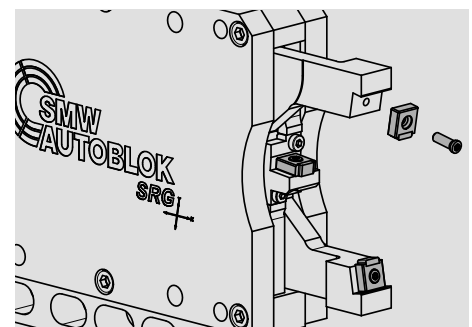
Select padholder for the middle piece*
(SRG 1, 1S, 2)

- Consisting of padholder middle piece (incl. mounting material).
- 3 versions available:
0 degree, ± 5 degree, ± 7 degree.
- Can be rotated by 180 degrees.



Select clamping kit**
(SRG 2F, 3F, 4F, 5F, 5.1FS | SRG-B 4F, 5F)

- Consisting of 2 nests for the arms and 1 padholder for the middle piece (incl. mounting material).
- The different clamping ranges can be covered with different clamping kits.



Select Pad kit***

- Consisting of 3 pads incl. 3 mounting screws.
- Standard for clamping range as shown on the Steady Rest.
- Special pad kit for shifting of the clamping range -5 mm available.

* Consisting of padholder for the middle piece incl. mounting material.

** Consisting of padholder for the middle piece and the nests for the arms incl. mounting material.

*** Consisting of 3 pads and 3 mounting bolts.

- Fine adjustment of the center
- Retractable Steady Rest arms

Overview clamping range

Type	Clamping range in mm															Page
SRG 0.8	3 - 18															421
SRG 1			20 - 35													422
SRG 1 S			20 - 35													423
SRG 2				30 - 60												424
SRG 2 F																
I Kit	12 - 28															425
II Kit			28 - 44													
III Kit					44 - 60											
SRG 3 F																426
I Kit	10 - 30															
II Kit			30 - 50													
III Kit					50 - 70											
IV Kit							70 - 90									
SRG 4 F SRG 4.1 FS SRG-B 4 F																427-365
I Kit	22 - 35															
II Kit			35 - 48													
III Kit					48 - 61											
IV Kit							61 - 74									
V Kit								74 - 87								
VI Kit									87 - 100							
SRG 5 F SRG-B 5 F																366-367
I Kit					48 - 70											
II Kit							70 - 92									
III Kit								92 - 114								
IV Kit									114 - 136							
SRG 5.1 FS																368
I Kit									96 - 102							
II Kit									102 - 108							
III Kit									108 - 114							
IV Kit									114 - 120							
V Kit									120 - 126							
	0	10	20	30	40	50	60	70	80	90	100	110	120	130	140	

SRG / SRG-B

Grinding Steady Rests

Ordering review

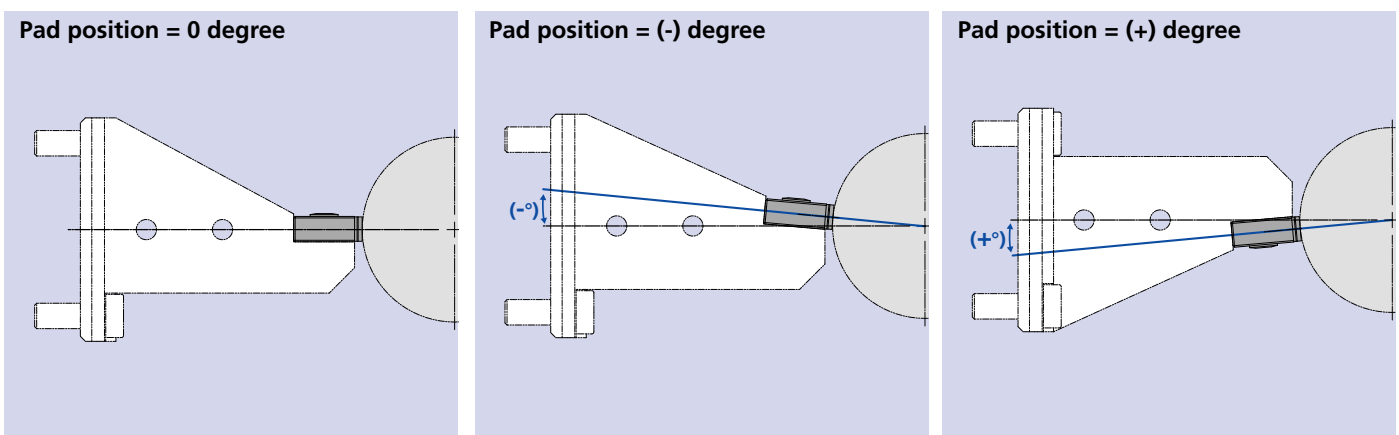
SMW-AUTOBLOK type Basic Steady Rest		SRG 0.8 223250	SRG 1 221175	SRG 1 S 223060	SRG 2 221871
Clamping range	mm	3-18	20-35	20-35	30-60
Padholder 0 degree*	Id. No.	-	203977	205191	203985
Padholder ± 5 degree*	Id. No.	-	203978	205196	203986
Padholder ± 7 degree*	Id. No.	-	203979	205197	203987
Pad Kit Standard	Id. No.	205439	203976	204161	203976
Pad Kit Special ***	Id. No.	-	203939	-	203939
Working pressure	bar	20-50	15-30	20-50	15-30
Follow down grinding		Yes	Yes	Yes	Yes
Dosing element kit	Id. No.	224379 (0.03 cm³)	224360 (0.1 cm³)	224379	224360

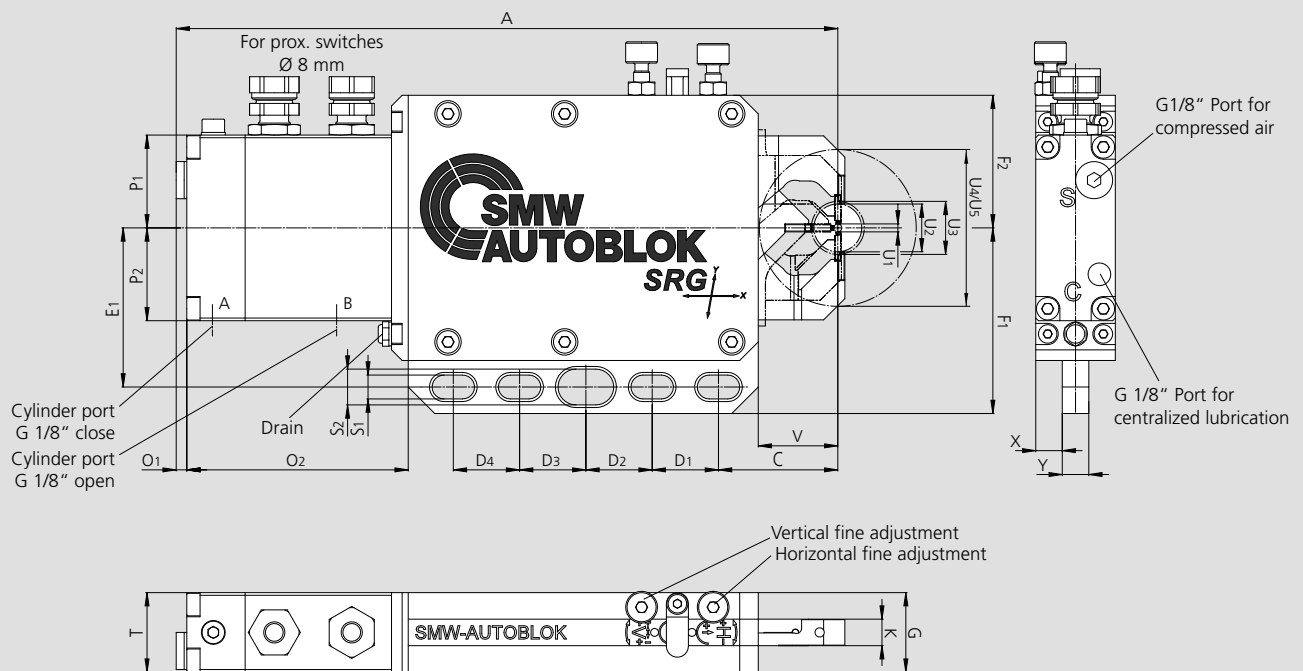
SMW-AUTOBLOK type Basic Steady Rest		SRG 2 F 222260			SRG 3 F 224450				SRG 4 F 221930			SRG-B 4 F 223140		
Clamping range	mm	12-60****			10-90****				22-100					
Clamping kit		I	II	III	I	II	III	IV	I	II	III	IV	V	VI
Clamping range	mm	12-28	28-44	44-60	10-30	30-50	50-70	70-90	22-35	35-48	48-61	61-74	74-87	87-100
Clamping kit 0 degree**	Id. No.	204383	204382	204381	224298	224297	224296	224295	205000	205001	205002	205003	205004	205005
Clamping kit ±2 degree**	Id. No.	-	-	-	-	-	-	-	205006	205007	205008	205009	205010	205011
Clamping kit ±3 degree**	Id. No.	-	-	-	-	-	-	-	-	-	-	-	-	-
Clamping kit ±5 degree**	Id. No.	206349	206348	206347	224302	224301	224300	224299	224453	224454	224455	224456	224457	224458
Clamping kit ±7 degree**	Id. No.	206346	206345	206344	224306	224305	224304	224303	224459	224460	224461	224462	224463	224464
Pad Kit Standard	Id. No.	203976			203976				204161					
Pad Kit Special***	Id. No.	203939			203939				-					
Working pressure	bar	15-30			10-30				7-25					
Follow down grinding		Yes			Yes				Yes					
Dosing element kit	Id. No.	224360			224360				-					

SMW-AUTOBLOK type Basic Steady Rest		SRG 4.1 FS 222410						SRG 5 F 223774		SRG-B 5 F 222530		SRG 5.1 FS 222665				
Clamping range	mm	22-100						48-136				96-126				
Clamping kit		I	II	III	IV	V	VI	I	II	III	IV	I	II	III	IV	V
Clamping range	mm	22-35	35-48	48-61	61-74	74-87	87-100	48-70	70-92	92-114	114-136	96-102	102-108	108-114	114-120	120-126
Clamping kit 0 degree**	Id. No.							-	-	-	-	-	-	-	-	-
Clamping kit ±2 degree**	Id. No.	204719	204720	204721	204722	204723	204724	205018	205019	205020	205021	-	-	-	-	-
Clamping kit ±3 degree**	Id. No.							-	-	-	-	205200	205201	205202	205203	205204
Clamping kit ±5 degree**	Id. No.											-	-	-	-	-
Clamping kit ±7 degree**	Id. No.											-	-	-	-	-
Pad Kit Standard	Id. No.	205228						204161				204161				
Pad Kit Special***	Id. No.							-				-				
Working pressure	bar							10-30				7-25				
Follow down grinding		Yes						Yes				Yes				

- * Consisting of padholder for the middle piece incl. mounting material.
- ** Consisting of padholder for the middle piece and the nests for the arms incl. mounting material.
- *** Clamping range -5 mm.
- **** Padholder middle piece pivoting for contact angle.
- SRG-B Side mounted cylinder.

Pad position middle piece / contact angle





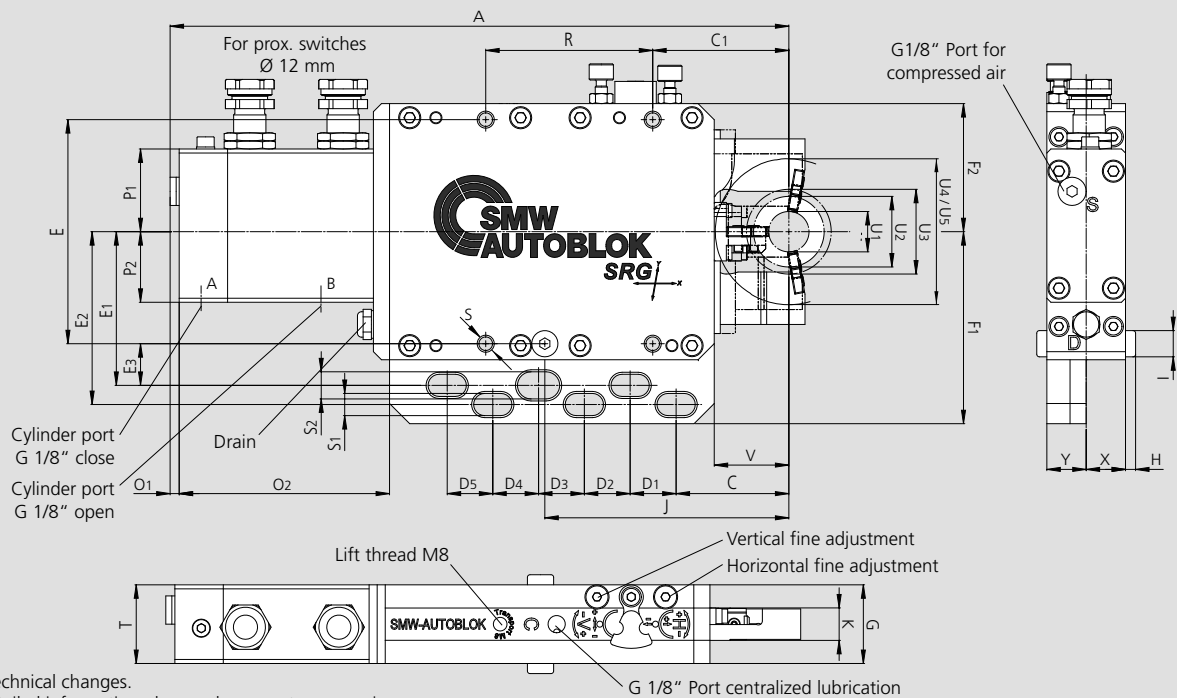
Subject to technical changes.
For more detailed information please ask our customer service.

SMW-AUTOBLOK Type Id. No.			SRG 0.8 223250
Min. clamping diameter	U1	mm	3
Max. clamping diameter	U2	mm	18
Max. loading diameter (vertical, steady open)	U3	mm	58
Max. axial clearance diameter (steady open)	U4	mm	58
Max. swing diameter	U5	mm	58
Horizontal adjustment range		mm	±0.05
Vertical adjustment range		mm	±0.05
	A	mm	249.5
	C	mm	45
	D1	mm	25
	D2	mm	25
	D3	mm	25
	D4	mm	25
	E1	mm	60
	F1	mm	70
	F2	mm	50
	G	mm	30
	K	mm	10
	O1	mm	4
	O2	mm	83.5
	P1	mm	35
	P2	mm	35
	S1	mm	9 (4x)
	S2	mm	13.46 (1x)
	T	mm	30
	V	mm	30
	X	mm	10
	Y	mm	10
Cylinder stroke		mm	43
Piston area		cm ²	3.14
Operating pressure max.		bar	50
Working pressure		bar	20 - 50
Repeatability accuracy		mm	±0.001
Weight		kg	4.3

SRG 1

Grinding Steady Rests

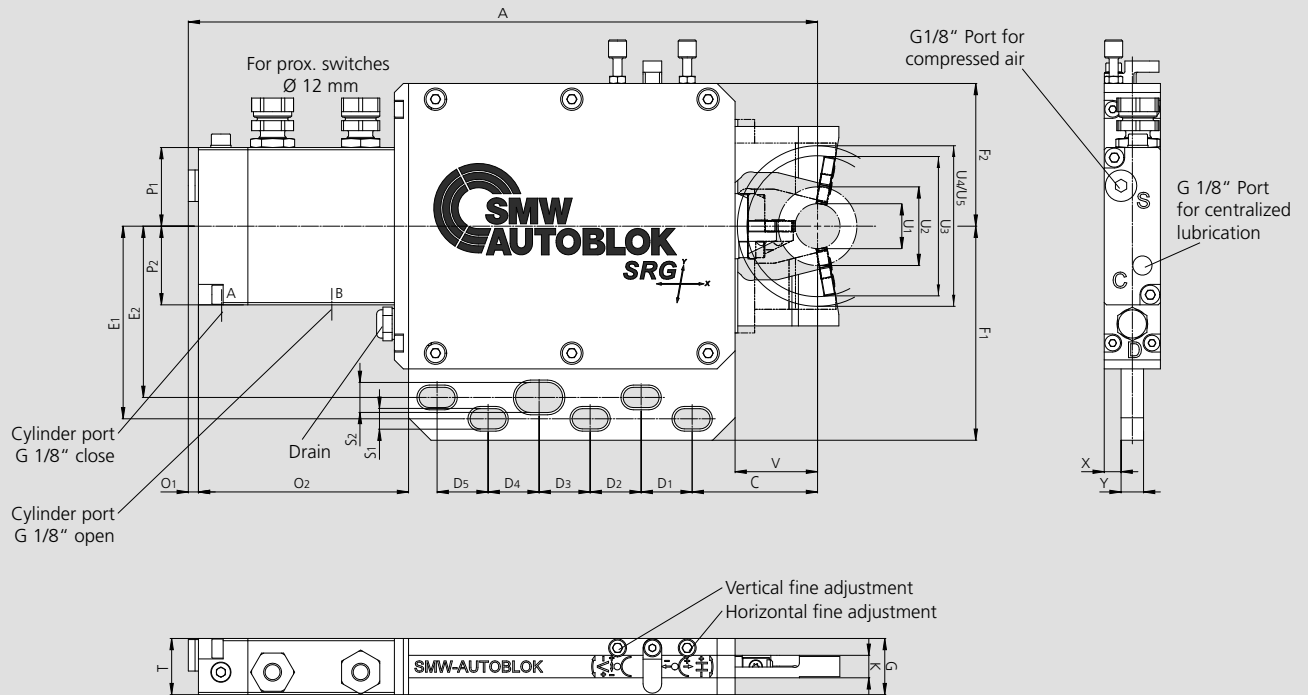
Dimensions and technical data



Subject to technical changes.

For more detailed information please ask our customer service.

SMW-AUTOBLOK Type Id. No.			SRG 1 221175
Min. clamping diameter	U1	mm	20
Max. clamping diameter	U2	mm	35
Max. loading diameter (vertical, steady open)	U3	mm	72
Max. axial clearance diameter (steady open)	U4	mm	72
Max. swing diameter	U5	mm	72
Horizontal adjustment range		mm	±0.20
Vertical adjustment range		mm	±0.10
	A	mm	306.8
	C	mm	55.9
	C1	mm	67.5
	D1	mm	22.8
	D2	mm	22.7
	D3	mm	22.7
	D4	mm	22.7
	D5	mm	22.6
	E	mm	111.1
	E1	mm	76.2
	E2	mm	85.7
	E3	mm	20.65
	F1	mm	95.2
	F2	mm	63.5
	G	mm	39
	H	mm	5
	I	mm	13
	J	mm	121
	K	mm	16.1
	O1	mm	4.5
	O2	mm	104.3
	P1	mm	41
	P2	mm	35
	R	mm	82.8
	S	mm	M8 (4x)
	S1	mm	11 (5x)
	S2	mm	13.46 (1x)
	T	mm	39
	V	mm	37
	X	mm	19.5
	Y	mm	19.5
Cylinder stroke		mm	73.4
Piston area		cm ²	7.07
Operating pressure max.		bar	45
Working pressure		bar	15-30
Repeatability accuracy		mm	±0.001
Weight		kg	8.5



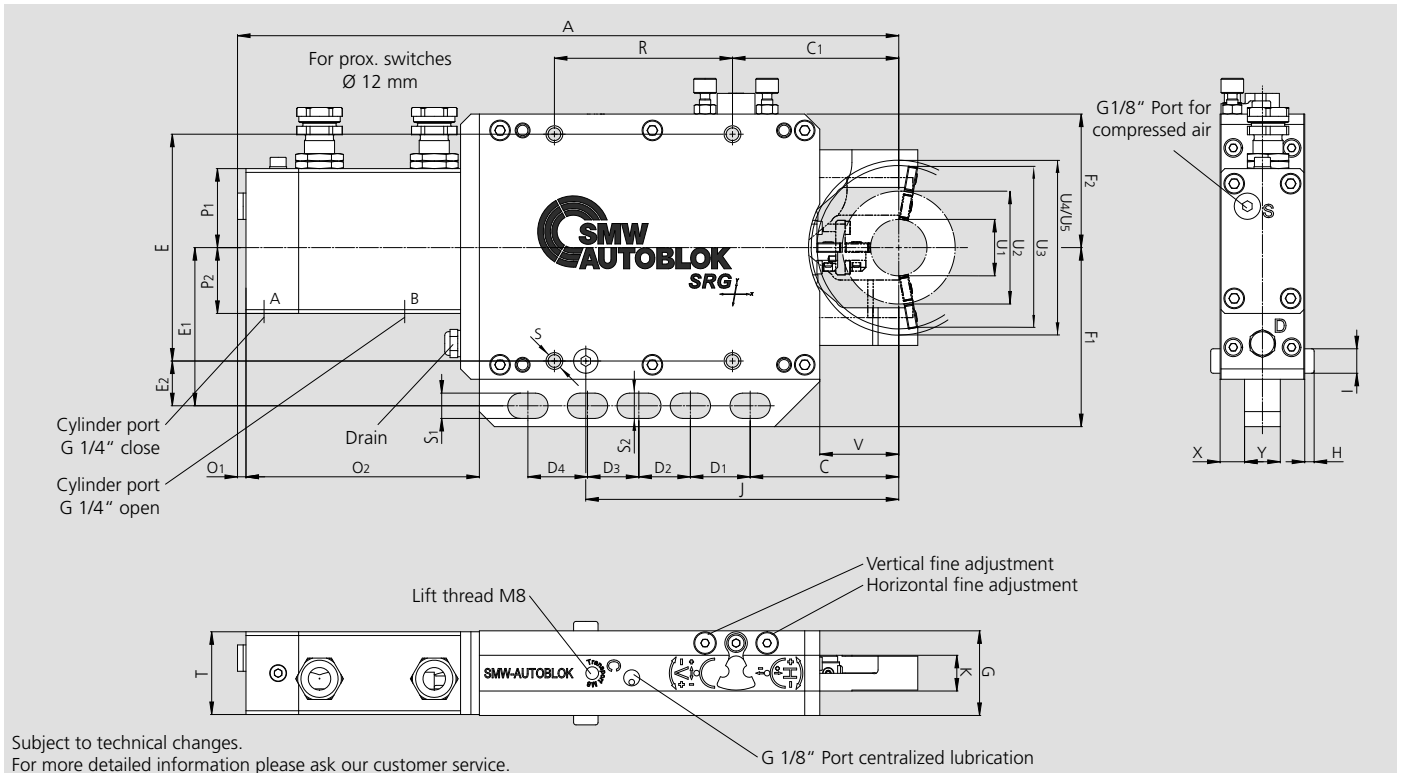
Subject to technical changes.
For more detailed information please ask our customer service.

SMW-AUTOBLOK Type Id. No.			SRG 1 S 223060
Min. clamping diameter	U1	mm	20
Max. clamping diameter	U2	mm	35
Max. loading diameter (vertical, steady open)	U3	mm	62
Max. axial clearance diameter (steady open)	U4	mm	72
Max. swing diameter	U5	mm	72
Horizontal adjustment range		mm	±0.20
Vertical adjustment range		mm	±0.10
	A	mm	280
	C	mm	55.8
	D1	mm	22.7
	D2	mm	22.7
	D3	mm	22.7
	D4	mm	22.7
	D5	mm	22.7
	E1	mm	85.7
	E2	mm	76.2
	F1	mm	95.25
	F2	mm	63.5
	G	mm	25
	K	mm	10
	O1	mm	4.5
	O2	mm	93.5
	P1	mm	35
	P2	mm	35
	S1	mm	9 (5x)
	S2	mm	13.46 (1x)
	T	mm	25
	V	mm	36.7
	X	mm	7.5
	Y	mm	10
Cylinder stroke		mm	53
Piston area		cm ²	2.01
Operating pressure max.		bar	50
Working pressure		bar	20-50
Repeatability accuracy		mm	±0.001
Weight		kg	4.8

SRG 2

Grinding Steady Rests

Dimensions and technical data



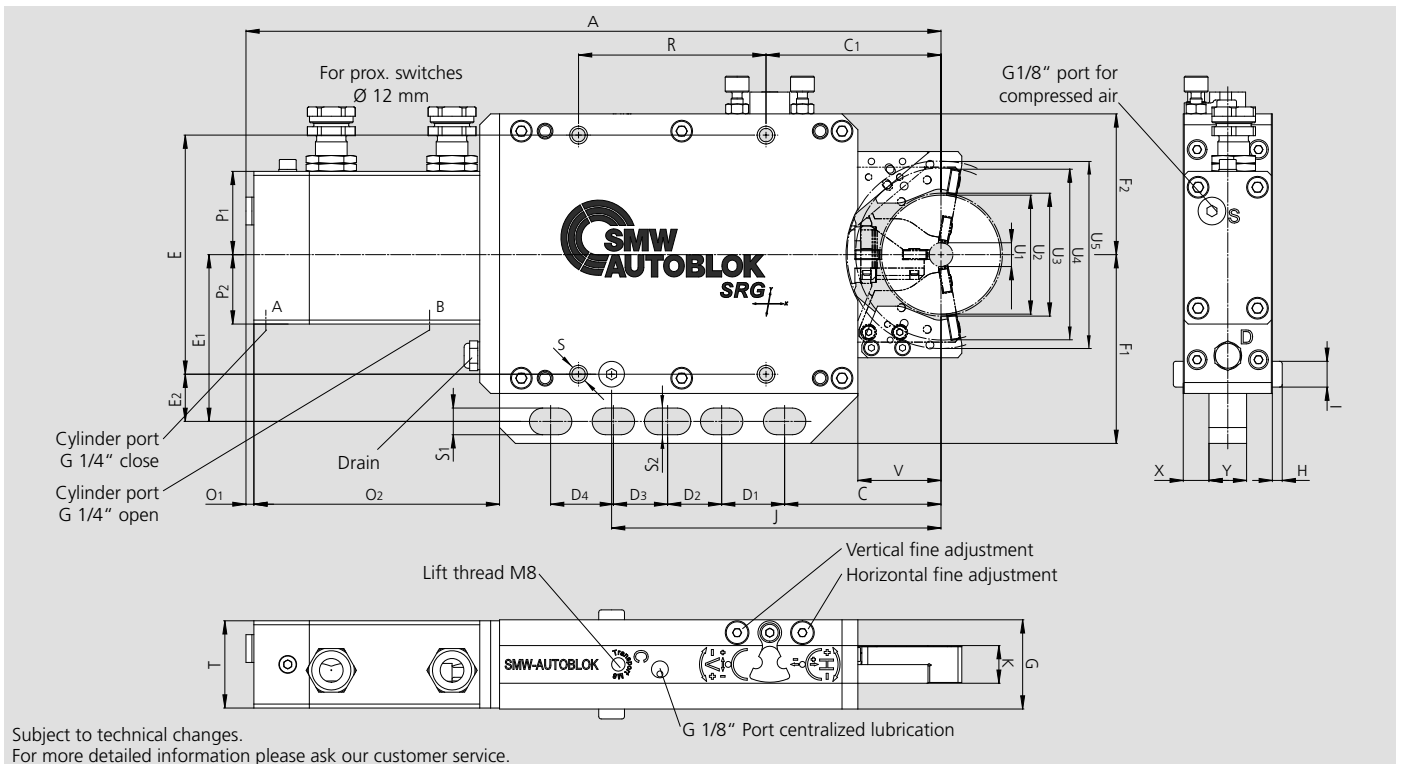
Subject to technical changes.
For more detailed information please ask our customer service.

SMW-AUTOBLOK Type Id. No.			SRG 2 221871
Min. clamping diameter	U1	mm	30
Max. clamping diameter	U2	mm	60
Max. loading diameter (vertical, steady open)	U3	mm	82
Max. axial clearance diameter (steady open)	U4	mm	95
Max. swing diameter	U5	mm	95
Horizontal adjustment range		mm	±0.20
Vertical adjustment range		mm	±0.14
	A	mm	351.6
	C	mm	79
	C1	mm	88.4
	D1	mm	31.8
	D2	mm	27.4
	D3	mm	27.3
	D4	mm	31.7
	E	mm	120.6
	E1	mm	84.1
	E2	mm	23.8
	F1	mm	95.2
	F2	mm	71
	G	mm	45
	H	mm	5
	I	mm	13
	J	mm	166.4
	K	mm	19
	O1	mm	4.5
	O2	mm	124.1
	P1	mm	42
	P2	mm	35
	R	mm	94.7
	S	mm	M8 (4x)
	S1	mm	12.5 (4x)
	S2	mm	13.46 (1x)
	T	mm	44
	V	mm	42
	X	mm	13
	Y	mm	19
Cylinder stroke		mm	73.4
Piston area		cm ²	7.07
Operating pressure max.		bar	45
Working pressure		bar	15-30
Repeatability accuracy		mm	±0.001
Weight		kg	11.8

SRG 2 F

Dimensions and technical data

Grinding Steady Rests



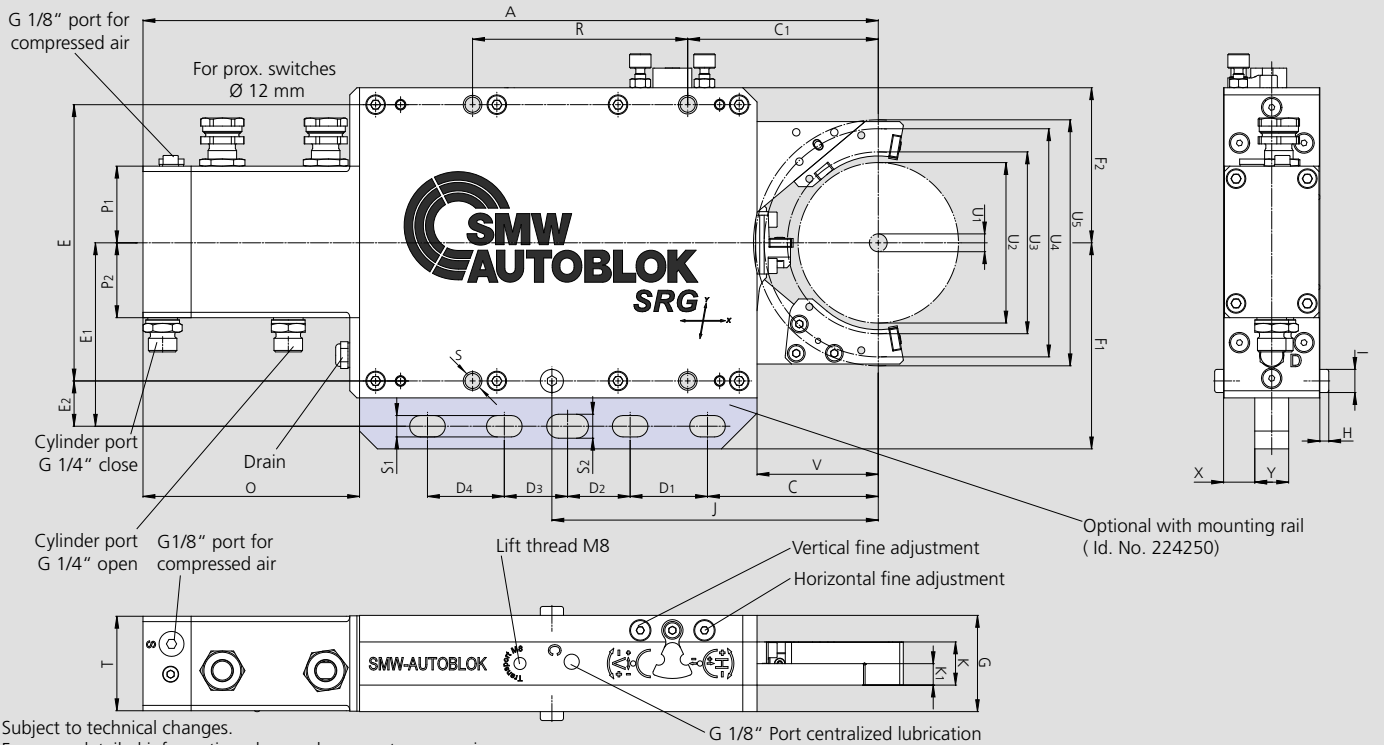
Subject to technical changes.
For more detailed information please ask our customer service.

SMW-AUTOBLOK Type			SRG 2 F		
Id. No.			222260		
Clamping kit			I	II	III
Min. clamping diameter	U1	mm	12	28	44
Max. clamping diameter	U2	mm	28	44	60
Max. loading diameter (vertical, steady open)	U3	mm	82	82	82
Max. axial clearance diameter (steady open)	U4	mm	94	94	94
Max. swing diameter	U5	mm		94	
Horizontal adjustment range		mm		±0.20	
Vertical adjustment range		mm		±0.14	
	A	mm		351.1	
	C	mm		79	
	C1	mm		88.4	
	D1	mm		31.8	
	D2	mm		27.3	
	D3	mm		27.4	
	D4	mm		31.7	
	E	mm		120.6	
	E1	mm		84.1	
	E2	mm		23.8	
	F1	mm		95.2	
	F2	mm		71	
	G	mm		45	
	H	mm		5	
	I	mm		13	
	J	mm		166.4	
	K	mm		19	
	O1	mm		4.5	
	O2	mm		124.1	
	P1	mm		42	
	P2	mm		35	
	R	mm		94.7	
	S	mm		M8 (4x)	
	S1	mm		12.5 (4x)	
	S2	mm		13.46 (1x)	
	T	mm		44	
	V	mm		42	
	X	mm		13	
	Y	mm		19	
Cylinder stroke		mm		66.4	
Piston area		cm ²		7.07	
Operating pressure max.		bar		45	
Working pressure		bar		15-30	
Repeatability accuracy		mm		±0.001	
Weight		kg		11.2	

SRG 3 F

Grinding Steady Rests

Dimensions and technical data



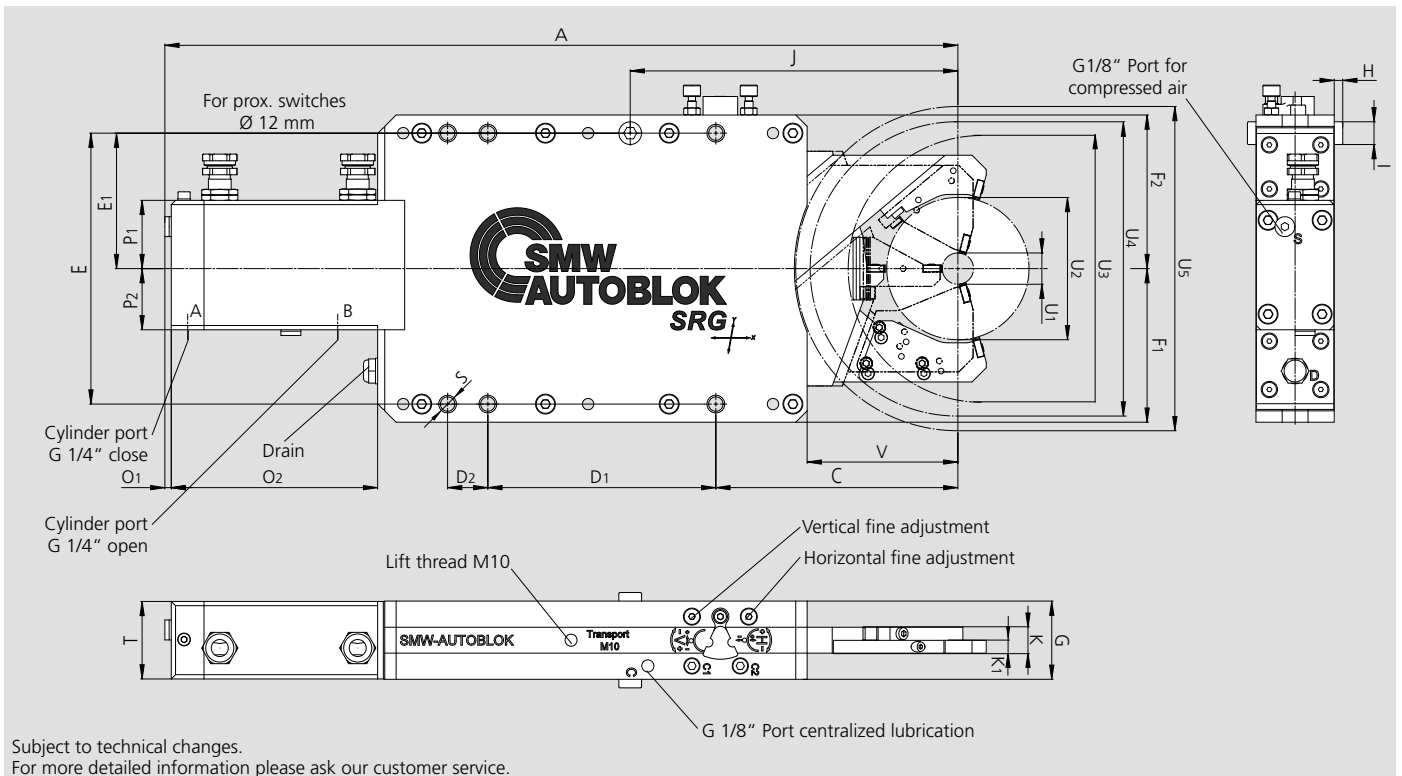
Subject to technical changes.
For more detailed information please ask our customer service.

SMW-AUTOBLOK Type			SRG 3 F			
Id. No.			224450			
Clamping kit			I	II	III	IV
Min. clamping diameter	U1	mm	10	30	50	70
Max. clamping diameter	U2	mm	30	50	70	90
Max. loading diameter (vertical, steady open)	U3	mm	111	110	106	102
Max. axial clearance diameter (steady open)	U4	mm	125	129	135	138
Max. swing diameter	U5	mm			138	
Horizontal adjustment range		mm			±0.20	
Vertical adjustment range		mm			±0.15	
	A	mm			412.5	
	C	mm			95.8	
	C1	mm			106.9	
	D1	mm			43.4	
	D2	mm			35.1	
	D3	mm			35.5	
	D4	mm			43.1	
	E	mm			155	
	E1	mm			102.9	
	E2	mm			25.4	
	F1	mm			115.6	
	F2	mm			87	
	G	mm			54	
	H	mm			5	
	I	mm			13	
	J	mm			183.1	
	K	mm			24	
	K1	mm			12	
	O	mm			121.5	
	P1	mm			43	
	P2	mm			42	
	R	mm			120.7	
	S	mm			M10 (4x)	
	S1	mm			13.46	
	S2	mm			13.46	
	T	mm			53	
	V	mm			68	
	X	mm			17.5	
	Y	mm			19	
Cylinder stroke		mm			79.8	
Piston area		cm ²			12.56	
Operating pressure max.		bar			45	
Working pressure		bar			10 - 30	
Repeatability accuracy		mm			±0.001	
Weight		kg			19.1	

SRG 4 F

Dimensions and technical data

Grinding Steady Rests



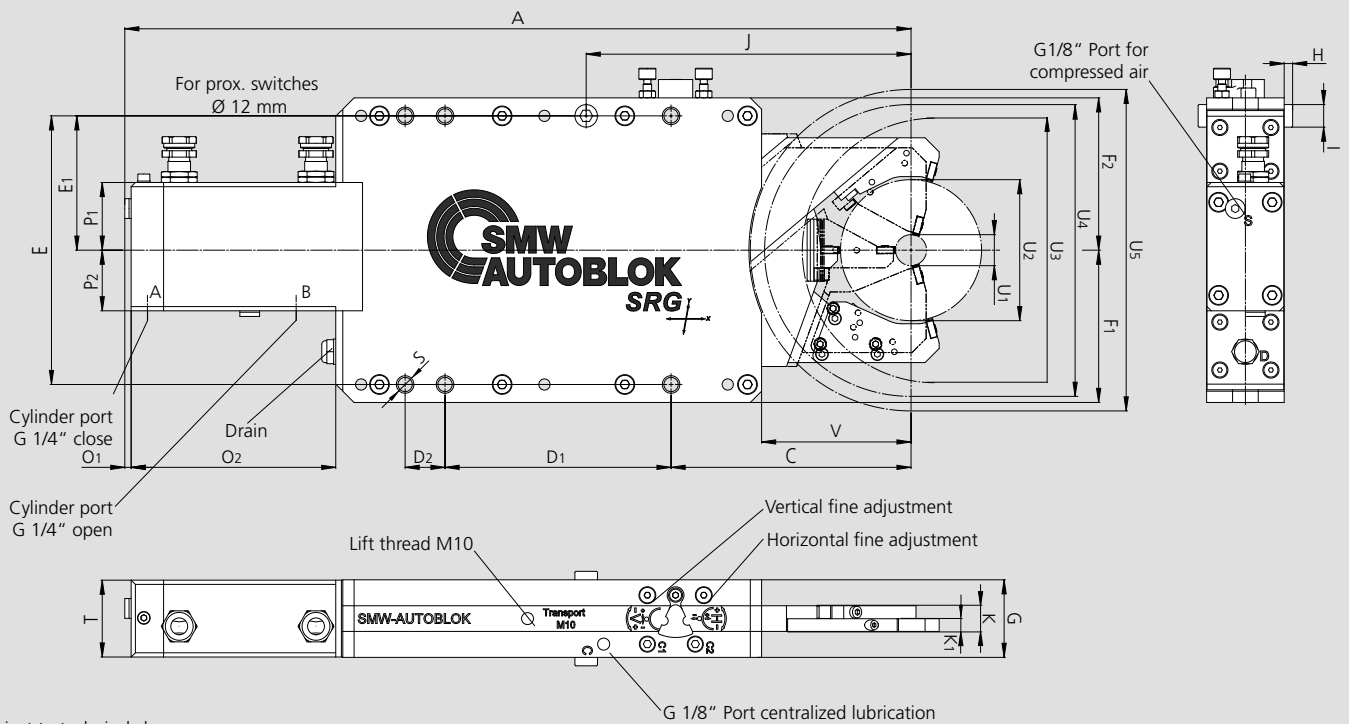
Subject to technical changes.
For more detailed information please ask our customer service.

SMW-AUTOBLOK Type		SRG 4 F						
Id. No.		221930						
Clamping kit			I	II	III	IV	V	VI
Min. clamping diameter	U1	mm	22	35	48	61	74	87
Max. clamping diameter	U2	mm	35	48	61	74	87	100
Max. loading diameter (vertical, steady open)	U3	mm	206	204	200	196	194	190
Max. axial clearance diameter (steady open)	U4	mm	218	219	219	220	222	224
Max. swing diameter	U5	mm	228					
Horizontal adjustment range		mm	±0.20					
Vertical adjustment range		mm	±0.14					
	A	mm	557.6					
	C	mm	170.2					
	D1	mm	160.3					
	D2	mm	28.3					
	E	mm	190.5					
	E1	mm	95.25					
	F1	mm	108					
	F2	mm	108					
	G	mm	55					
	H	mm	6					
	I	mm	16					
	J	mm	230.4					
	K	mm	18.2					
	K1	mm	9					
	O1	mm	4.5					
	O2	mm	145.1					
	P1	mm	48					
	P2	mm	43					
	S	mm	M12 (6x)					
	T	mm	54.5					
	V	mm	106					
Cylinder stroke		mm	127.2					
Piston area		cm ²	12.56					
Operating pressure max.		bar	30					
Working pressure		bar	7 - 25					
Repeatability accuracy		mm	±0.001					
Weight		kg	30					

SRG 4.1 FS

Grinding Steady Rests

Dimensions and technical data



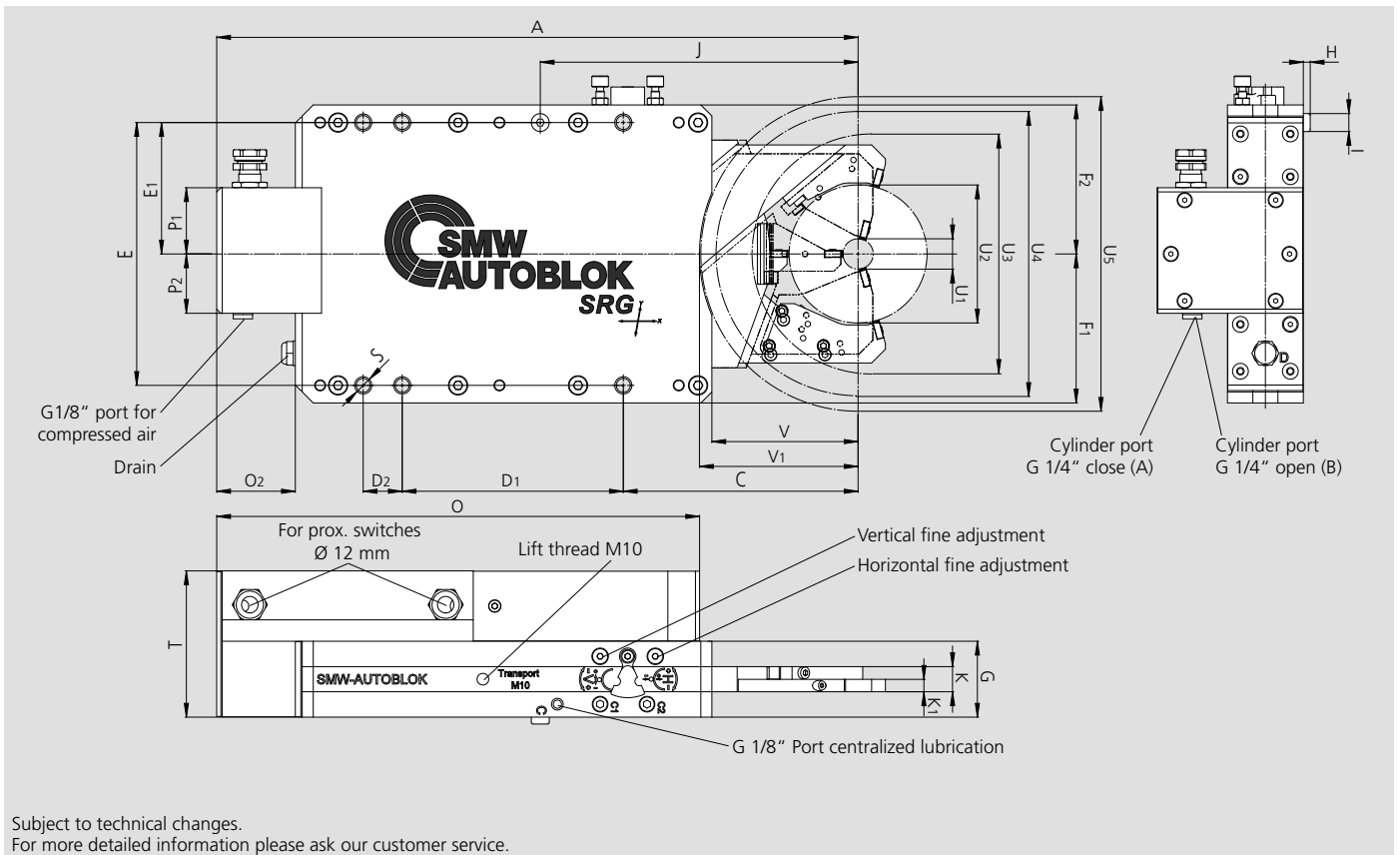
Subject to technical changes.
For more detailed information please ask our customer service.

SMW-AUTOBLOK Type		SRG 4.1 FS						
Id. No.		222410						
Clamping kit			I	II	III	IV	V	VI
Min. clamping diameter	U1	mm	22	35	48	61	74	87
Max. clamping diameter	U2	mm	35	48	61	74	87	100
Max. loading diameter (vertical, steady open)	U3	mm	206	201	197	195	190	189
Max. axial clearance diameter (steady open)	U4	mm	216	216	217	218	220	223
Max. swing diameter	U5	mm	250					
Horizontal adjustment range		mm	±0.22					
Vertical adjustment range		mm	±0.175					
	A	mm	565.5					
	C	mm	161.7					
	D1	mm	170.8					
	E	mm	190.5					
	E1	mm	95.25					
	F1	mm	108					
	F2	mm	108					
	G	mm	50.3					
	H	mm	6					
	I	mm	16					
	J	mm	230.8					
	K	mm	15.3					
	K1	mm	7.4					
	O1	mm	4.5					
	O2	mm	135					
	P1	mm	47					
	P2	mm	43					
	S	mm	M12 (6x)					
	T	mm	49.3					
	V	mm	114					
Cylinder stroke		mm	126					
Piston area		cm ²	12.56					
Operating pressure max.		bar	35					
Working pressure		bar	8 - 28					
Repeatability accuracy		mm	±0.001					
Weight		kg	26.5					

SRG-B 4 F

Dimensions and technical data

Grinding Steady Rests



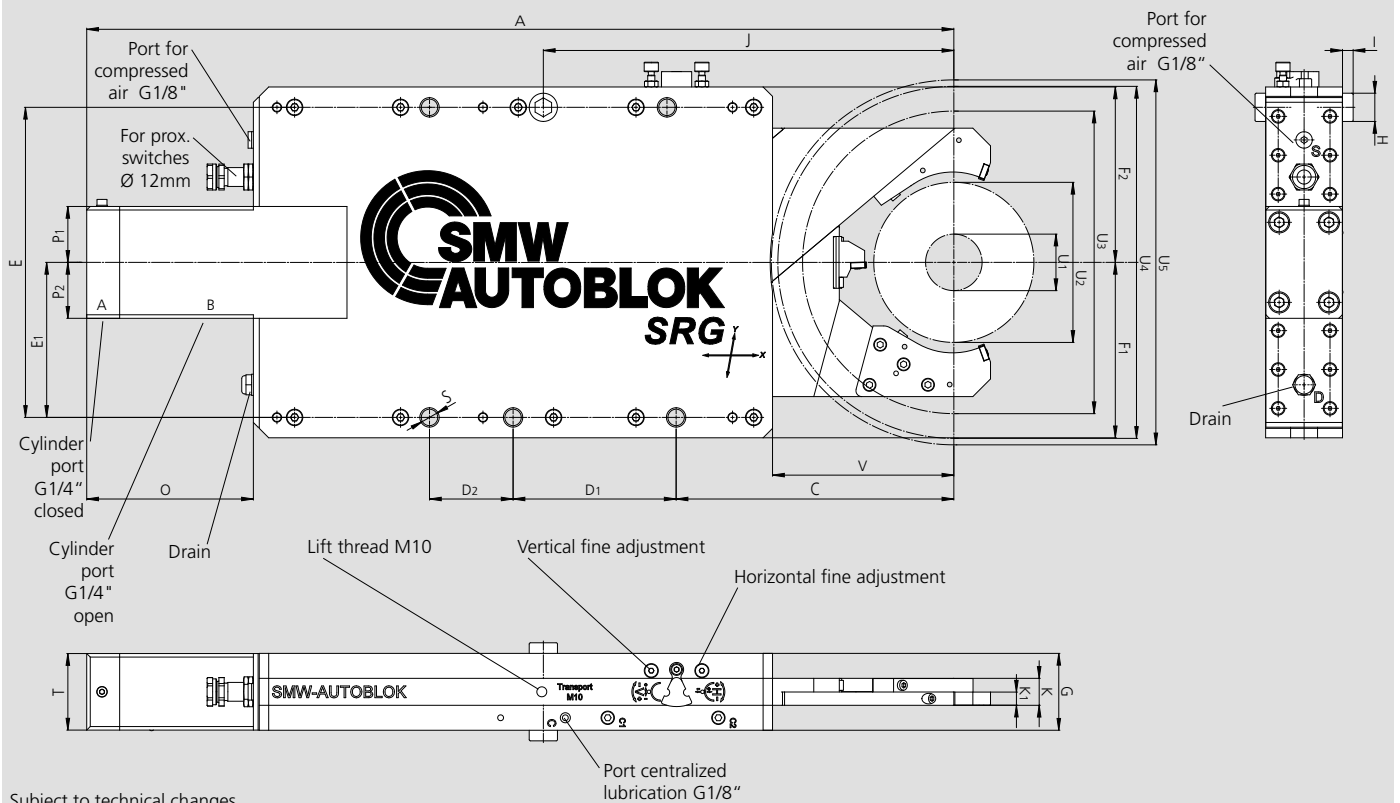
Subject to technical changes.
For more detailed information please ask our customer service.

SMW-AUTOBLOK Type			SRG-B 4 F					
Id. No.			223140					
Clamping kit			I	II	III	IV	V	VI
Min. clamping diameter	U1	mm	22	35	48	61	74	87
Max. clamping diameter	U2	mm	35	48	61	74	87	100
Max. loading diameter (vertical, steady open)	U3	mm	206	204	200	196	194	190
Max. axial clearance diameter (steady open)	U4	mm	218	218	218	220	222	224
Max. swing diameter	U5	mm	228					
Horizontal adjustment range		mm	±0.20					
Vertical adjustment range		mm	±0.14					
	A	mm	465					
	C	mm	170.2					
	D1	mm	160.3					
	D2	mm	28.3					
	E	mm	190.5					
	E1	mm	95.25					
	F1	mm	108					
	F2	mm	108					
	G	mm	55					
	H	mm	5					
	I	mm	13					
	J	mm	230.4					
	K	mm	18.2					
	K1	mm	9					
	O	mm	350.1					
	O2	mm	57					
	P1	mm	48					
	P2	mm	43					
	S	mm	M12 (6x)					
	T	mm	106					
	V	mm	106					
	V1	mm	115					
Cylinder stroke		mm	127.2					
Piston area		cm ²	10.02					
Operating pressure max.		bar	35					
Working pressure		bar	10-30					
Repeatability accuracy		mm	±0.001					
Weight		kg	37.8					

SRG 5 F

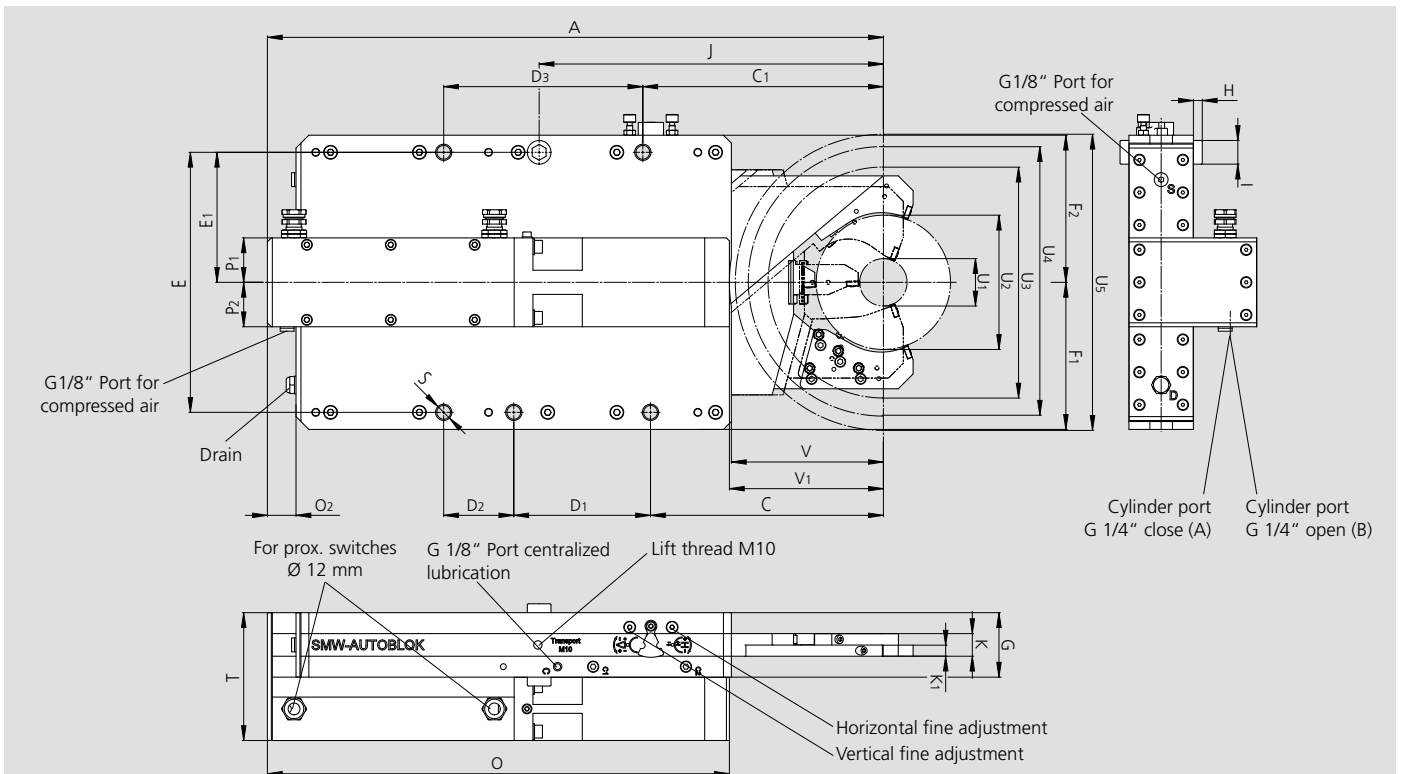
Grinding Steady Rests

Dimensions and technical data



Subject to technical changes.
For more detailed information please ask our customer service.

SMW-AUTOBLOK Type			SRG 5 F			
Id. No.			223774			
Clamping kit			I	II	III	IV
Min. clamping diameter	U1	mm	48	70	92	114
Max. clamping diameter	U2	mm	70	92	114	136
Max. loading diameter (vertical, steady open)	U3	mm	273	267	263	257
Max. axial clearance diameter (steady open)	U4	mm	298	298	298	299
Max. swing diameter	U5	mm	310			
Horizontal adjustment range		mm	±0.20			
Vertical adjustment range		mm	±0.14			
	A	mm	736.6			
	C	mm	235.9			
	D1	mm	138.5			
	D2	mm	71			
	E	mm	263.4			
	E1	mm	131.7			
	F1	mm	149			
	F2	mm	149			
	G	mm	65.3			
	H	mm	24			
	I	mm	9			
	J	mm	348.7			
	K	mm	22.9			
	K1	mm	11.3			
	O	mm	141.6			
	P1	mm	47.5			
	P2	mm	47.5			
	S	mm	14			
	T	mm	65			
	V	mm	154			
Cylinder stroke		mm	179			
Piston area		cm ²	19.63			
Operating pressure max.		bar	30			
Working pressure		bar	7-25			
Repeatability accuracy		mm	±0.002			
Weight		kg	62.6			



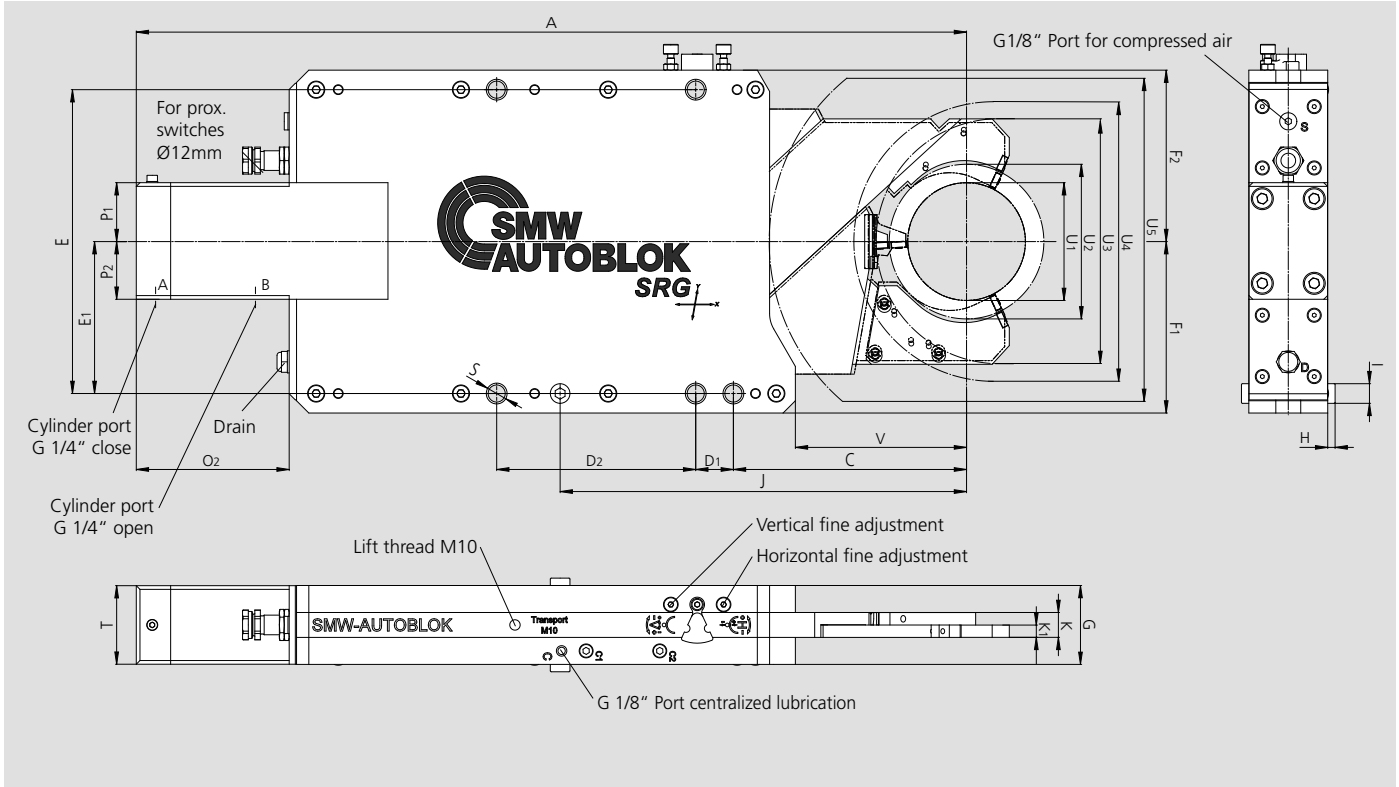
Subject to technical changes.
For more detailed information please ask our customer service.

SMW-AUTOBLOK Type			SRG-B 5 F			
Id. No.			222530			
Clamping kit			I	II	III	IV
Min. clamping diameter	U1	mm	48	70	92	114
Max. clamping diameter	U2	mm	70	92	114	136
Max. loading diameter (vertical, steady open)	U3	mm	273	267	263	257
Max. axial clearance diameter (steady open)	U4	mm	298	298	298	299
Max. swing diameter	U5	mm	310			
Horizontal adjustment range		mm	± 0.20			
Vertical adjustment range		mm	± 0.14			
	A	mm	624			
	C	mm	235.9			
	C1	mm	243.7			
	D1	mm	138.5			
	D2	mm	71			
	D3	mm	201.7			
	E	mm	263.4			
	E1	mm	131.7			
	F1	mm	149			
	F2	mm	149			
	G	mm	65.3			
	H	mm	9			
	I	mm	24			
	J	mm	348.7			
	K	mm	22.9			
	K1	mm	11.1			
	O	mm	468			
	O2	mm	29			
	P1	mm	45			
	P2	mm	45			
	S	mm	M16 (5x)			
	T	mm	129.5			
	V	mm	154			
	V1	mm	156			
Cylinder stroke		mm	179			
Piston area		cm ²	16.49			
Operating pressure max.		bar	35			
Working pressure		bar	10-30			
Repeatability accuracy		mm	±0.002			
Weight		kg	76.4			

SRG 5.1 FS

Grinding Steady Rests

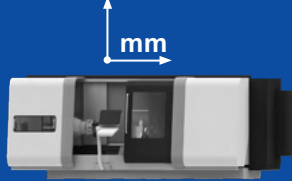

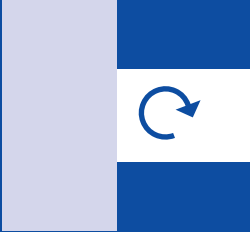
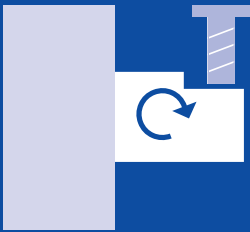


Dimensions and technical data



Subject to technical changes.
For more detailed information please ask our customer service.

SMW-AUTOBLOK Type		SRG 5.1 FS					
Id. No.		222665					
Clamping kit			I	II	III	IV	V
Min. clamping diameter	U1	mm	96	102	108	114	120
Max. clamping diameter	U2	mm	102	108	114	120	126
Max. loading diameter (vertical, steady open)	U3	mm	236	234	232	229	228
Max. axial clearance diameter (steady open)	U4	mm	272	272	272	272	272
Max. swing diameter	U5	mm			320		
Horizontal adjustment range		mm			±0.22		
Vertical adjustment range		mm			±0.17		
	A	mm			676.6		
	C	mm			190		
	D1	mm			30.7		
	D2	mm			162.2		
	E	mm			247.6		
	E1	mm			123.8		
	F1	mm			139.7		
	F2	mm			139.7		
	G	mm			64.3		
	H	mm			6		
	I	mm			16		
	J	mm			331.2		
	K	mm			20.25		
	K1	mm			10		
	O2	mm			124.6		
	P1	mm			48		
	P2	mm			47		
	S	mm			17 (5x)		
	T	mm			64		
	V	mm			139.5		
Cylinder stroke		mm			167.1		
Piston area		cm ²			19.63		
Operating pressure max.		bar			23		
Working pressure		bar			8 - 18.5		
Repeatability accuracy		mm			±0.002		
Weight		kg			54.8		

A Steady Rest for every machine and application

<p>Large clamping range in machine with...</p> <p>Steady Rest Characteristics</p>	<p>... <u>unrestricted</u> mounting space for the Steady Rest.</p> 	<p>... <u>restricted</u> mounting space for the Steady Rest.</p> 	<p>... <u>very restricted</u> mounting space for the Steady Rest.</p> 
<p>Turning</p> 	<ul style="list-style-type: none"> <input checked="" type="checkbox"/> SLU-X <input checked="" type="checkbox"/> SLU 	<ul style="list-style-type: none"> <input type="checkbox"/> SLU-X <input checked="" type="checkbox"/> SLUB <input type="checkbox"/> SLU <input checked="" type="checkbox"/> K <input type="checkbox"/> RX 	<ul style="list-style-type: none"> <input type="checkbox"/> SLUB <input type="checkbox"/> K <input checked="" type="checkbox"/> RX
<p>Turning and milling</p> 	<ul style="list-style-type: none"> <input type="checkbox"/> SLU-X <input type="checkbox"/> SLU <input checked="" type="checkbox"/> SR SR-CL 	<ul style="list-style-type: none"> <input type="checkbox"/> SLU-X <input type="checkbox"/> SLUB <input type="checkbox"/> SR SR-CL <input checked="" type="checkbox"/> K <input type="checkbox"/> RX 	<ul style="list-style-type: none"> <input type="checkbox"/> SLUB <input type="checkbox"/> K <input checked="" type="checkbox"/> RX
<p>Cam and crankshaft</p> 	<ul style="list-style-type: none"> <input checked="" type="checkbox"/> KLU 	<ul style="list-style-type: none"> <input type="checkbox"/> KLU 	
<p>Heavy duty</p> 	<ul style="list-style-type: none"> <input checked="" type="checkbox"/> SR SR-CL <input type="checkbox"/> K <input type="checkbox"/> KA 	<ul style="list-style-type: none"> <input type="checkbox"/> SR SR-CL <input type="checkbox"/> K <input checked="" type="checkbox"/> KA 	
<p>Grinding</p> 	<ul style="list-style-type: none"> <input checked="" type="checkbox"/> SRG <input type="checkbox"/> SRG-B 	<ul style="list-style-type: none"> <input type="checkbox"/> SRG <input checked="" type="checkbox"/> SRG-B 	<ul style="list-style-type: none"> <input type="checkbox"/> SRG-B

This matrix is a recommendation only. It may vary for special applications.

first choice second choice

SLU-X[®]
SLU-B

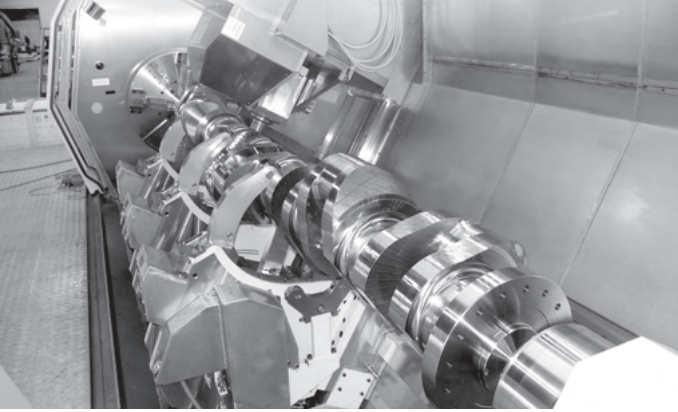
SLUA[®]
SLUA[®]-B

SR[®] / -CL
SRA

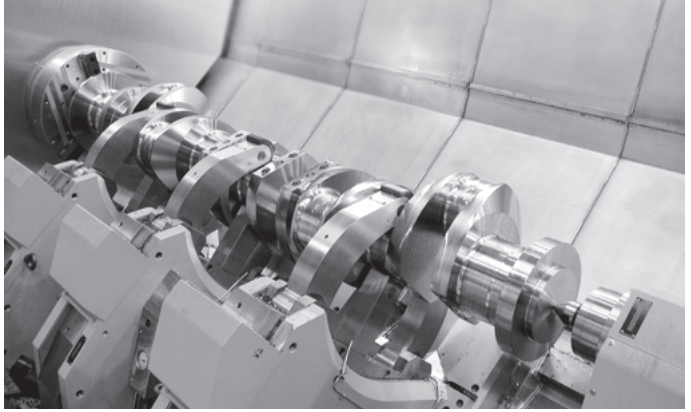
KLU / -A
K

Our additional program:
■ Special Steady Rests
■ Turret Steady Rests
■ Crankshaft Steady Rests
■ Grinding Steady Rests

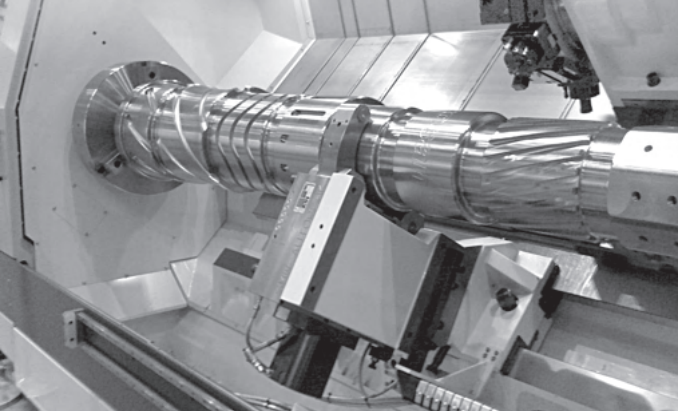
Steady Rests clamping big crankshaft



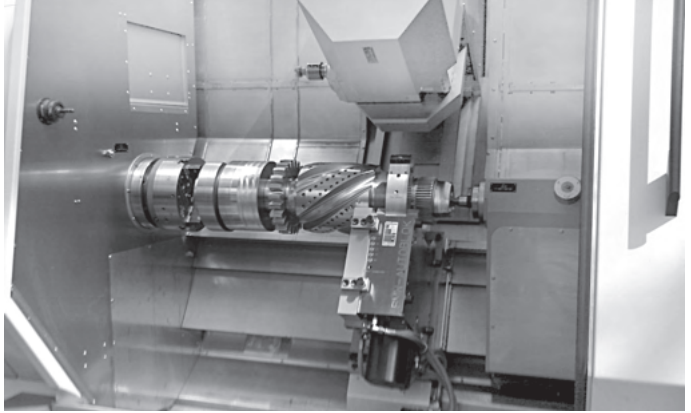
Steady Rests clamping big crankshaft



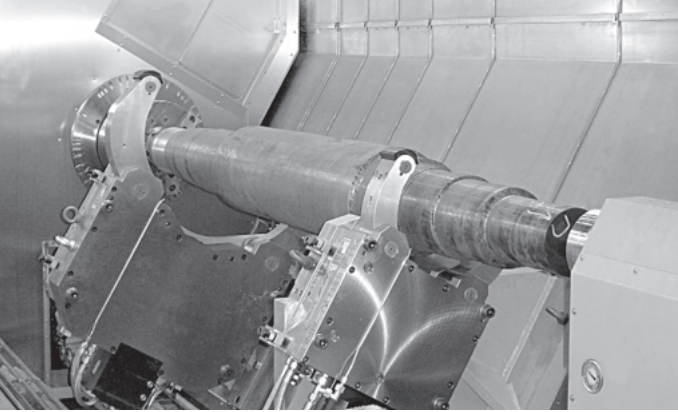
Steady Rest clamping turbine shaft



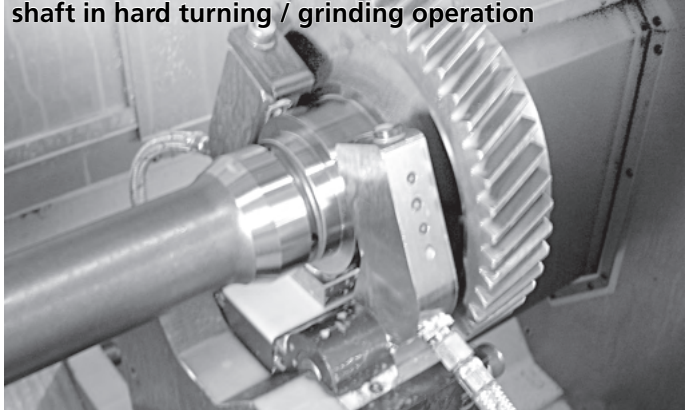
Steady Rest clamping special shaft



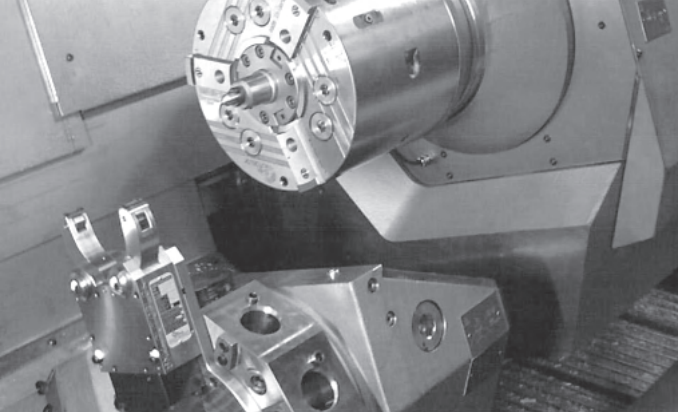
Steady Rest clamping train axle



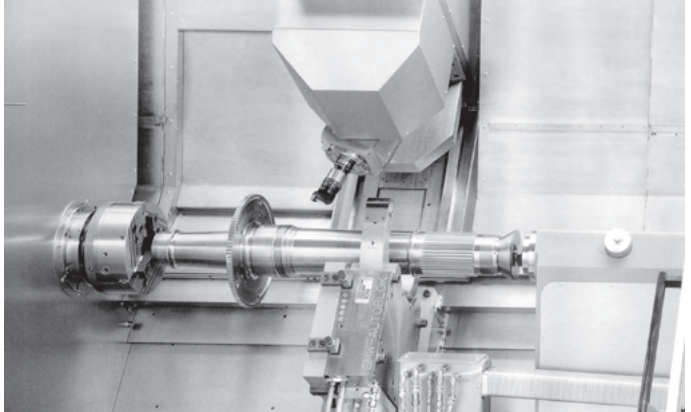
Steady Rest with diamond pads clamping input shaft in hard turning / grinding operation



Turret Steady Rest



Steady Rest clamping aircraft shaft



Stationary chucks pneumatic / hydraulic



USC

With stroke control

Pneumatic static cylinder
Ø 140 - 260 mm

- Unit with static cylinder
- With stroke control
- Can be equipped with different types of chucks

Page 436



US-CL

With 2 jaws
long stroke chucks

US-A

With 3 jaws long or
normal stroke chucks

Stationary cylinder and chuck unit, hydraulic
Ø 80 - 315 mm

- Unit with static cylinder and chuck
- Closed center chucks type CL / AN / AL

Page 438



US - large diameters

Pneumatic static cylinder
2, 3 or 4 jaws

Pneumatic static cylinder and chuck unit
Ø 400 - 800 mm

- Normal or long stroke
- 2 / 3 / 4 jaws
- Standard or sealed

Page 440



HB-D

INCH SERRATION
2 or 3 jaws

HB-C

TONGUE & GROOVE
3 jaws

Stationary chuck, hydraulic
Ø 130 - 315 mm

- Built-in hydraulic cylinder
- 2 and 3 jaws

Page 442



PB-D

INCH SERRATION
2 or 3 jaws

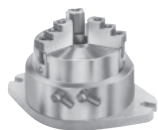
PB-C

TONGUE & GROOVE
3 jaws

Stationary chuck, pneumatic
Ø 130 - 315 mm

- Built-in pneumatic cylinder
- 2 and 3 jaws

Page 444



STP

INCH SERRATION
3 jaws

Stationary chuck, pneumatic
Ø 125 - 280 mm

- Built-in pneumatic cylinder
- With through-hole

Page 446



M2-PB

Fixture
with 2 chucks

Multiple chucks on fixtures, pneumatic
Ø 130 - 315 mm

- Built-in pneumatic cylinders
- 2 and 3 jaws

Page 448



PBI-D

INCH SERRATION
2 or 3 jaws

PBI-C

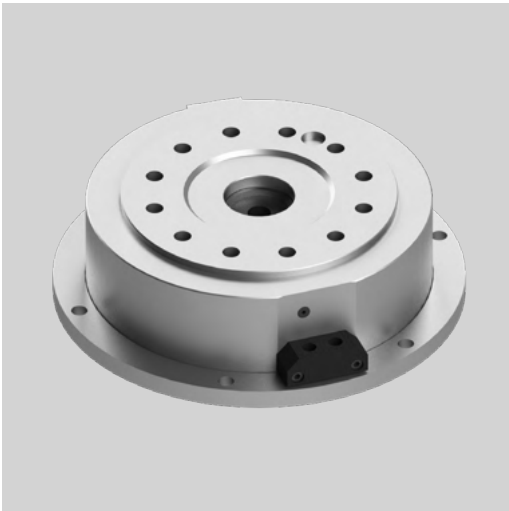
TONGUE & GROOVE
3 jaws

Chuck for indexing tables
Ø 165 - 315 mm

- Manifold for air supply (only for indexing)
- Built-in cylinder
- 2 and 3 jaws

Page 450

- Can be equipped with different types of chucks
- With stroke control



Application/customer benefits

- Gripping of components on vertical or horizontal machining centers

Technical features

- Standard pneumatic cylinder can be equipped with various type of chucks:
 - 2 / 3 / 4 jaws versions depending on chuck model and diameter
 - Standard or sealed, depending on applied chuck
 - Master jaw with serration or Tongue & Groove available
 - Normal or long stroke depending on chuck model and diameter
- Permanent air pressure required
- Optional SAB safety valve to hold pressure during pallet transfer

Remark: The clamping unit consists of static cylinder + connection kit + chuck to be selected.

For chuck details, please see the technical data of the selected chuck.

Standard equipment

Static cylinder
the connection kit must be added,
see the table on next page

Ordering example

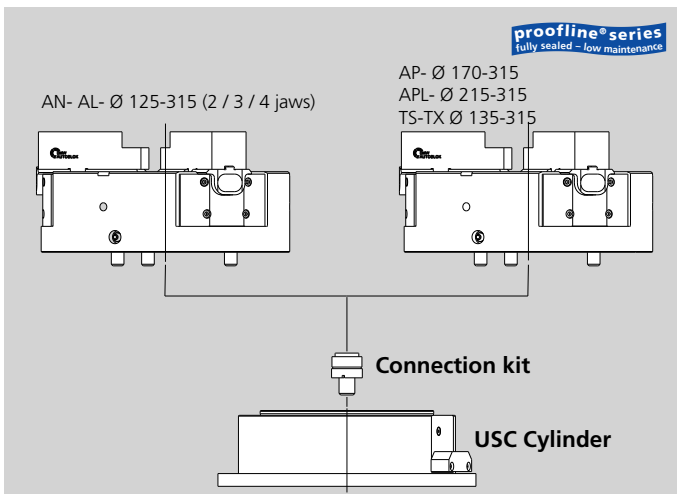
Please see the below table for part numbers and part descriptions

Accessories

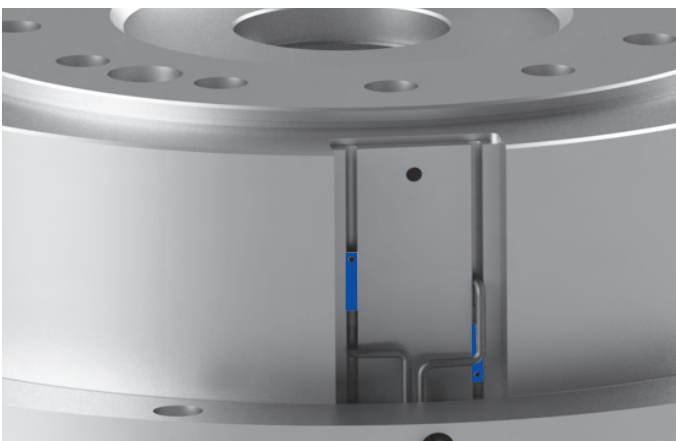
Valve SAB1 Id. No. 27581610 for USC 140/170

Valve SAB2 Id. No. 27581620 for USC 210/260

Mounting brackets



- **USC-AN** = cylinder equipped with a 2 / 3 jaw chuck type AN- (normal stroke). Chuck until to Ø 315 mm
- **USC-AL** = cylinder equipped with a 2 / 3 jaw chuck type AL- (long stroke). Chuck until to Ø 315 mm
- **USC-TS** = cylinder equipped with a 2 / 3 jaw chuck type TS- Chuck from Ø 135 to 315 mm
- **USC-TX** = cylinder equipped with a 3 jaw chuck. Chuck from Ø 170 to 315 mm
- **USC-AP** = cylinder equipped with a 3 jaw chuck type AP- (normal stroke). Chuck until to Ø 315 mm proofline® series fully sealed - low maintenance
- **USC-APL** = cylinder equipped with a 3 jaw chuck type APL- (long stroke). Chuck Ø 170 to 315 mm proofline® series fully sealed - low maintenance



Stroke control

The stroke control system consists of two built in magnets and two external sensors (Id.-Nr. 71834910) reading the axial position of the cylinder piston and consequently of chuck jaws mounted on it. The stroke control gives the following signals: „chuck fully open“, „chuck fully closed“ or „part clamped“ positions.

Technical data

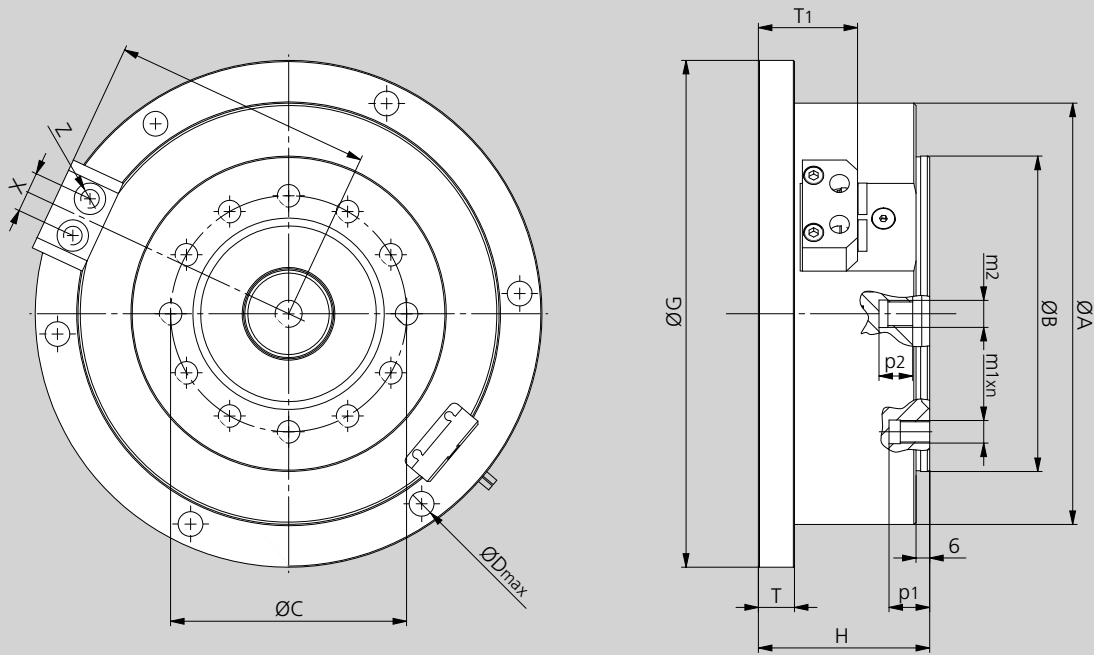
SMW-AUTOBLOK Type Id. No.		USC 140 97501407	USC 170 97501702	USC 210 97502106	USC 260 97502601
Piston area-chuck (open)	cm ²	133	189	269	434
Piston area-chuck (closed)	cm ²	126	176	249	409
Max. operating pressure	bar	7	7	7	7
Piston stroke	mm	17	22	26	31
Pushforce at 6 bar	kN	8	11	16	26
Pullforce at 6 bar	kN	7.5	10.5	15	24.5
Cylinder unit mass	kg	3.3	5	7	12.5

Stationary cylinder + chuck unit Ø 140 - 260 mm

- Can be equipped with different types of chucks
- With stroke control

USC

Pneumatic static cylinder



Subject to technical changes.
For more detailed information please ask our customer service.

SMW-AUTOBLOK Type Id. No.		USC 140 97501407	USC 170 97501702	USC 210 97502106	USC 260 97502601
A	mm	162	187	217	275
B	mm	115	140	170	220
C	mm	82.6	104.8	133.4	171.4
D	mm	11	11	11	13
G	mm	200	225	255	327
H	mm	61.5	76	83	95
Q	mm	98	110.5	129.5	158.5
T	mm	16	16	16	16
T1	mm	38.5	40,5	43,5	43,5
X	mm	18	18	22	22
Z	inch	1/8"	1/8"	1/4"	1/4"
m1	mm	M10	M10	M12	M16
m2	mm	M10	M12	M16	M20
n	mm	12x	12x	12x	12x
p1	mm	14	18	19	23
p2	mm	18	15	21	25

Ordering review connection kit

Size	125 AN-AL	135 TS	165 AN-AL	170 AP	170 TS/TX	210 AN-AL	210 TS-TX	215 AP-APL	250 AN-AL	250 TS-TX	260 AP-APL	315 AN-AL	315 TS-TX	315 AP-APL
USC 140	75511410	75511470	-	-	-	-	-	-	-	-	-	-	-	-
USC 170	-	-	75511760	75511760	75511770	-	-	-	-	-	-	-	-	-
USC 210	-	-	-	-	-	75512110	75512170	75512160	-	-	-	-	-	-
USC 260	-	-	-	-	-	-	-	-	75512610	75512670	75512660	75512620	75512670	75512660

- If the cylinder operates an AN / AL chuck (with 2 / 3 / 4 jaws and various jaw types), the chuck must be ordered separately.
- If the cylinder operates an AP / APL chuck (only 3 jaws available and various jaw types), the chuck must be ordered separately.
- If the cylinder operates a TS / TX chuck (only 3 jaws available and various jaw types), the chuck must be ordered separately.
- For technical information on the chucks, please see the specific catalogue page. (more information at general catalog turning).
- For the chucks Id. Numbers, please see our price lists or ask a quotation to your nearest SMW-AUTOBLOK office.

JAWS-CATALOG
Request or
download:
www.smw-autoblok.de



US-CL

With 2-jaw long stroke chuck

US-A

With 3-jaw long or normal stroke chuck

Stationary cylinder + chuck unit Ø 80 - 315 mm

- Hydraulic cylinder module + chuck
- Closed center chucks type CL / AN / AL

Application/customer benefits

- Gripping units designed to suit special purpose machines and transfer lines
- Also used as loading chucks to handle workpieces

Technical features

- Stationary hydraulic cylinder + chuck unit consisting of a modular cylinder and standard 2- or 3-jaw chuck
- Permanent oil pressure required
- For chuck details please see technical data of the selected chuck

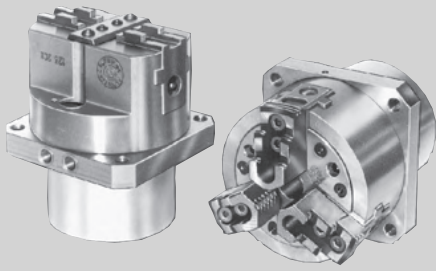
Remark: when ordering please specify the position of the oil connectors (on the side or on the back)

Standard equipment

Standard chuck with cylinder and connecting parts

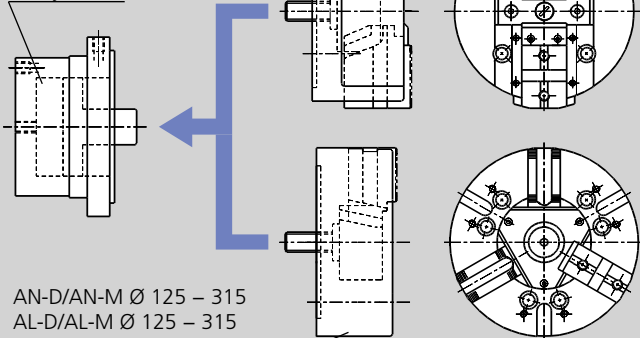
Ordering example

US 125-CLC with rear oil connection, or
US 250-AND with side oil connection and chuck 90° revolved



CL-C Ø 80 – 160
CL-D Ø 200 – 315

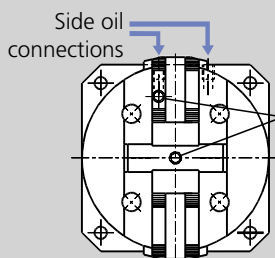
US cylinder



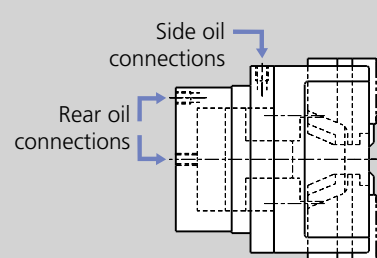
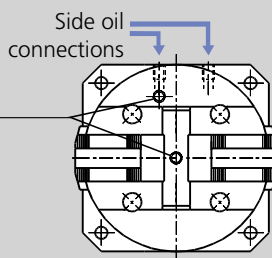
AN-D/AN-M Ø 125 – 315
AL-D/AL-M Ø 125 – 315
AN-C Ø 165 – 315

- **US-CL-C** = cylinder equipped with a 2 jaw chuck type CL-C (long stroke / tongue & groove). Chuck Ø 80 to 160 mm.
- **US-CL-D** = cylinder equipped with a 2 jaw chuck type CL-D (long stroke / inch serration). Chuck Ø 200 to 315 mm.
- **US-AN-D** = cylinder equipped with a 3 jaw chuck type AN-D (normal stroke / inch serration). Chuck Ø 125 to 315 mm.
- **US-AN-M** = cylinder equipped with a 3 jaw chuck type AN-M (normal stroke / metric serration). Chuck Ø 125 to 315 mm.
- **US-AL-D** = cylinder equipped with a 3 jaw chuck type AL-D (long stroke / inch serration). Chuck Ø 125 to 315 mm.
- **US-AL-M** = cylinder equipped with a 3 jaw chuck type AL-M (long stroke / metric serration). Chuck Ø 125 to 315 mm.
- **US-AN-C** = cylinder equipped with a 3 jaw chuck type AN-C (normal stroke / tongue & groove). Chuck Ø 165 to 315 mm.
- **Special units** = on request the US cylinder can be equipped with other chucks, for example with a quick jaw change chuck type AN-RM with stationary cylinder available.

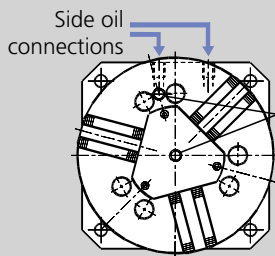
CL chuck in standard position



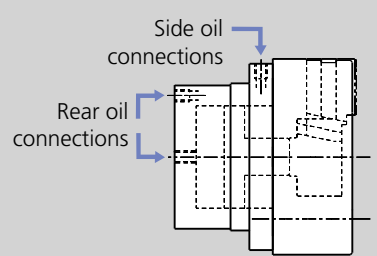
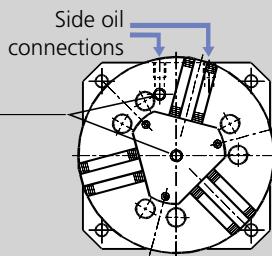
CL chuck 90° revolved



AN / AL chuck in standard position



AN / AL chuck 90° revolved



- The chuck can be mounted on the cylinder 90° revolved if the standard position creates interferences with the working cycle. Please specify in the order, if a revolved position is needed.

- The oil connections can be on the side or on the back of the cylinder in order to ease the installation of the gripping unit. Please specify in the order, which version is preferred.

Stationary cylinder + chuck unit Ø 80 - 315 mm

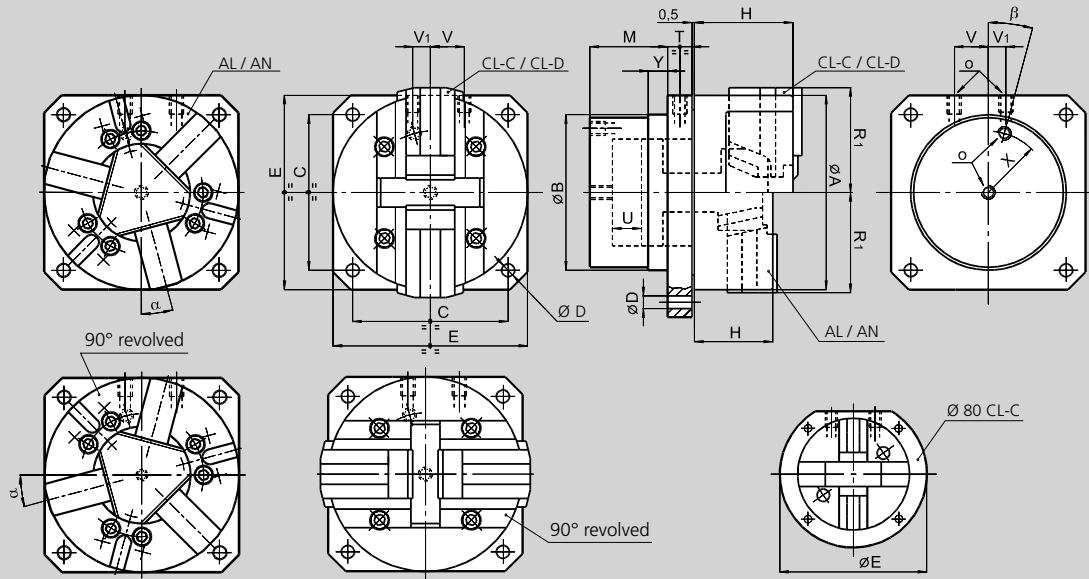
- Hydraulic cylinder module + chuck
- Closed center chucks type CL / AN / AL

US-CL

With 2-jaw
long stroke chuck

US-A

With 3-jaw long or
normal stroke chuck



Subject to technical changes.
For more detailed information please ask our customer service.

US actuating cylinder dimensions

SMW-AUTOBLOK cylinder		US 80	US 100	US 125	US 160 US 165	US 200	US 250	US 315
Id. No. CL		77755008	77755010	77755013	77755016	77755120	77755025	77755031
Id. No. AL / AN		77755008	77755010	77755113	77755016	77755120	77755025	77755031
	B h7	mm 70	84	106	128	158	185	185
	C	mm 66	84	104	130	160	200	250
	D	mm 7	9	11	11	13.5	17	17
	E	mm 105	100	130	160	200	250	315
	M	mm 45	52	60	70	80	90	90
Oil connections	O	inch 1/8 BSP	1/8 BSP	1/4 BSP	1/4 BSP	3/8 BSP	3/8 BSP	3/8 BSP
	T	mm 16	16	20	20	25	25	25
	U	mm 11	14	20	25	30	35	35
	V	mm 15	18	12	28	35	41	41
	V1	mm 15	18	12	15	18	15	15
	X	mm 27	33	43	52	63	75	75
	Y	mm 10	10	10	20	20	20	20
	beta	deg. 30°	30°	15°	15°	0°	0°	0°
Piston area		cm² 16	25	42	68	112	166	166

Units with CL-C and CL-D chucks (more information at general catalog turning page 92)

SMW-AUTOBLOK Type		US 80-CL-C	US 100-CL-C	US 125-CL-C	US 160-CL-C	US 200-CL-D	US 250-CL-D	US 315-CL-D
	A	mm 80	100	125	160	200	250	315
	H	mm 45	54	76	92	103	109	114
Chuck open	R1	mm 40	50	68	87	108	132	166
Max. pressure		bar 38	36	36	37	32	30	36
Max. gripping force		kN 9	14	24	40	55	78	95

Units with AN-D / AN-M / AN-C chucks (more information at general catalog turning page 50 and 54)

SMW-AUTOBLOK Type		US 125-AN-D US 125-AN-M	US 165-AN-D US 165-AN-M US 165-AN-C	US 210-AN-D US 210-AN-M US 210-AN-C	US 250-AN-D US 250-AN-M US 250-AN-C	US 315-AN-D US 315-AN-M US 315-AN-C
	A	mm 127	165	210	254	315
	H	mm 57	71	85	95	105
Chuck open	R1	mm 64	83	105	128	158
	alpha	deg. 0°	15°	15°	15°	15°
Max. pressure		bar 47	36	31	28	36
Max. gripping force		kN 56	70	105	140	180

Units with AL-D / AL-M chucks (more information at general catalog turning page 52)

SMW-AUTOBLOK Type		US 125-AL-D US 125-AL-M	US 165-AL-D US 165-AL-M	US 210-AL-D US 210-AL-M	US 250-AL-D US 250-AL-M	US 315-AL-D US 315-AL-M
	A	mm 127	165	210	254	315
	H	mm 57	71	85	95	105
Chuck open	R1	mm 67	86	109	133	164
	alpha	deg. 0°	15°	15°	15°	15°
Max. pressure		bar 60	44	45	39	45
Max. gripping force		kN 45	54	90	120	135

JAWS-CATALOG
Request or
download:
www.smw-autoblok.de

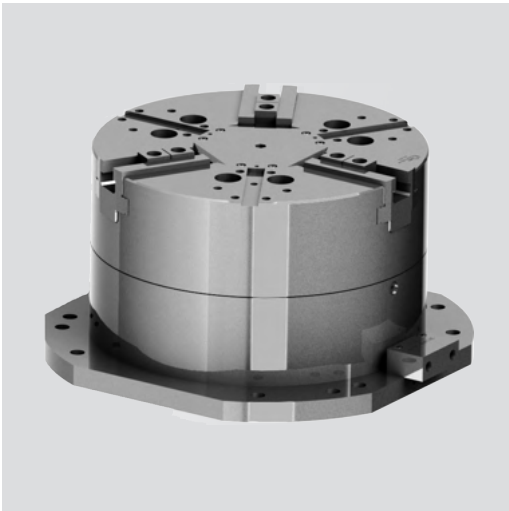


US - large diameters

Pneumatic static cylinder
for 2 or 3 or 4 jaws

Stationary cylinder + chuck unit Ø 400 - 800 mm

- Option for serrated or Tongue & Groove jaws
- Standard or sealed, depending on applied chuck
- Option of 2 / 3 / 4 jaws depending on chuck model
- Option of long or normal stroke depending on chuck model



Application/customer benefits

- Gripping of large components on vertical or horizontal machining centers

Technical features

- Standard pneumatic cylinder to be equipped with various type of chucks:
 - 2 / 3 / 4 jaws versions depending on chuck model and diameter
 - Chucks sealed or not sealed with serrated or TONGUE & GROOVE master jaw available
 - Normal or long stroke depending on chuck model and diameter
- Permanent air pressure required
- Optional SAB safety valve to hold pressure during pallet transfer

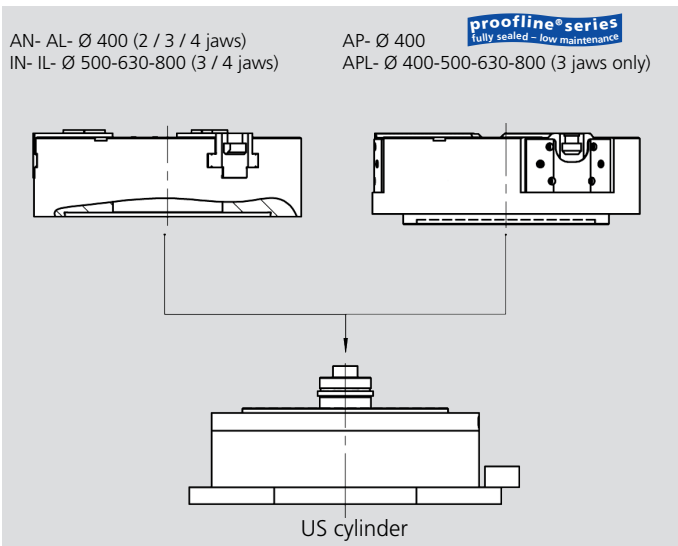
Remark: the clamping unit is made of standard cylinder + eventual connection kit (for AP and APL chucks only) + chuck to be selected.
For chuck details, please see the technical data of the selected chuck

Standard equipment

Static cylinder with connecting parts for IN / IL chucks.
For AP and APL chucks a specific connecting kit must be added

Ordering example

US-400-AN



- **US-AN** = cylinder equipped with a 3-jaw chuck type AN- (normal stroke). Chuck Ø 400 mm.
- **US-AL** = cylinder equipped with a 3-jaw chuck type AL- (long stroke). Chuck Ø 400 mm.
- **US-IN** = cylinder equipped with a 3-jaw chuck type IN- (normal stroke). Chuck Ø 500 to 800 mm.
- **US-IL** = cylinder equipped with a 3-jaw chuck type IL- (long stroke). Chuck Ø 500 to 800 mm.
- **US-AP** = cylinder equipped with a 3-jaw chuck type AP- (normal stroke). Chuck Ø 400 mm.
- **US-APL** = cylinder equipped with a 3-jaw chuck type APL- (long stroke). Chuck Ø 400 to 800 mm.

Technical data

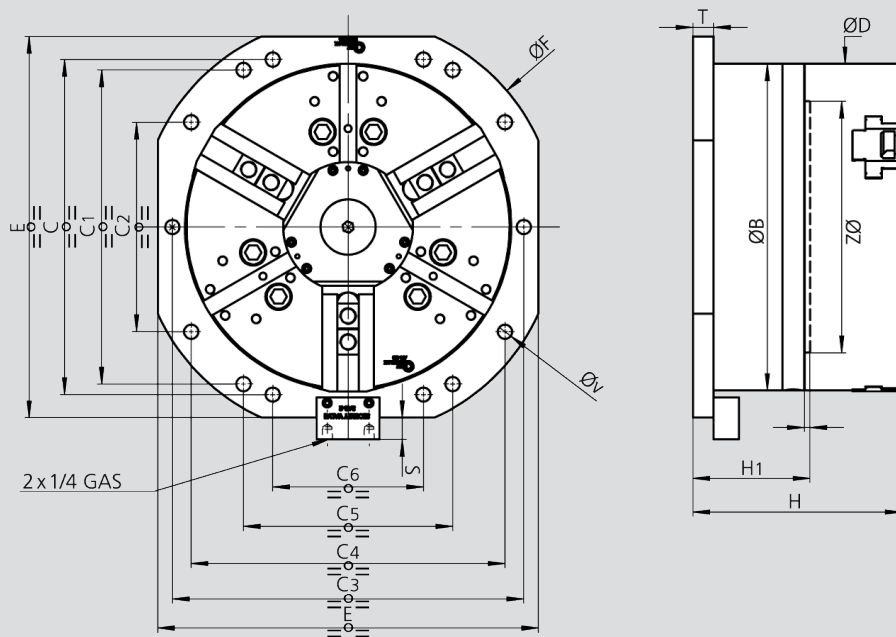
SMW-AUTOBLOK Type		US-400 AN / AL	US-400 AP / APL	US-500 APL	US-630 APL	US-800 APL	US-500 IN / IL	US-630 IN / IL	US-800 IN / IL
Piston area-chuck (open)	cm ²	800	800	1256	1256	1256	1256	1256	1256
Piston area-chuck (closed)	cm ²	760	760	1211	1211	1211	1211	1211	1211
Max. operating pressure	bar	7	7	7	7	7	7	7	7
Mass of cylinder unit	kg	118	118	175	175	175	175	175	175
Gripping force at 6 bar "N"	kN	135	125	-	-	-	175	175	175
Gripping force at 6 bar "L"	kN	80	80	130	130	130	130	130	130

Stationary cylinder + chuck unit Ø 400 - 800 mm

- Option for serrated or Tongue & Groove jaws
- Standard or sealed, depending on applied chuck
- Option of 2 / 3 / 4 jaws depending on chuck model
- Option of long or normal stroke depending on chuck model

US - large diameters

Pneumatic static cylinder
for 2 or 3 or 4 jaws



Subject to technical changes.
For more detailed information please ask our customer service.

SMW-AUTOBLOK Type		US-400 AN/AL	US-400 AP/APL	US-500 APL	US-630 APL	US-800 APL	US-500 IN/IL	US-630 IN/IL	US-800 IN/IL
O. D. cylinder	B	mm	390	390	475	475	475	475	475
	C	mm	400	400	-	-	-	-	-
	C1	mm	375	375	300	300	300	300	300
	C2	mm	250	250	-	-	-	-	-
	C3	mm	-	-	500	500	500	500	500
	C4	mm	375	375	400	400	400	400	400
	C5	mm	250	250	-	-	-	-	-
Ø chuck	C6	mm	180	180	-	-	-	-	-
	D	mm	390	390	500	630	800	510	630
	E	mm	455	455	525	525	525	525	525
	E1	mm	-	-	-	-	-	-	-
	ØF	mm	500	500	538	538	538	538	538
	H	mm	250	273	300	310	330	270	290
	H1	mm	140	140	146	146	146	146	146
	I	mm	7	7	7	7	7	7	7
	T	mm	25	25	25	25	25	25	25
	ØV	mm	17	17	17	17	17	17	17
	ØZ h7	mm	300	300	380	380	380	380	380

Ordering review

SMW-AUTOBLOK Size	400	500	630	800
A: Cylinder Id. No. (for all versions)	97504004	97506302	97506302	97506302
B: Kit Id. No. (only for „AP“ & „APL“ chucks)	97634004	97635002	97636302	97646302

- If the cylinder operates a IN / IL or a AN / AL chuck (with 2 / 3 / 4 jaws and various jaw types), only the p/n in line A must be purchased. The chuck must be ordered separately.
- If the cylinder operates a AP / APL chuck (only 3 jaws available and various jaw types), both p/ns in line A and B must be purchased. The chuck must be ordered separately.
- For technical information on the chucks, please see the specific catalogue page. (more information at general catalog turning).
- For the chucks p/ns, please see our price lists or ask a quotation to your nearest SMW-AUTOBLOK office.

JAWS-CATALOG
Request or
download:
www.smw-autoblok.de



HB-D

INCH SERRATION
2 or 3 jaws

HB-C

TONGUE & GROOVE
3 jaws

Stationary chuck, hydraulic Ø 130 - 315 mm

- Built-in hydraulic cylinder
- 2 and 3 jaws



Application/customer benefits

- Stationary hydraulic chuck for self centering clamping of parts on milling machines, machining centers and special machines

HB-D: INCH SERRATED master jaws (1/16" x 90°)

HB-C: TONGUE & GROOVE master jaws (American standard)

HB-M: METRIC SERRATED master jaws (1.5 mm x 60°) **on request from Ø 165**

Technical features

- Stationary chuck consisting of a 2- or 3-jaw self centering chuck with built-in hydraulic cylinder
- Compact design
- Case hardened body to assure consistent high precision and long chuck life

Standard equipment

Stationary chuck
1 set T-nuts with bolts
(HB-C excluded)
1 set of soft blank top jaws
(HB-C excluded)

Ordering example

Stationary chuck HB-C 250 (3 jaws)
or
Stationary chuck HBL-D2 165 (2 jaws)

Technical data

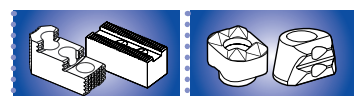
SMW-AUTOBLOK Type		HB-D 130	HB-D 165 HB-C 165	HB-D 210 HB-C 210	HB-D 250 HB-C 250	HB-D 315 HB-C 315
Radial jaw stroke	mm	3	3.2	4	4.6	5.5
Radial jaw stroke HBL-D2 (2 jaws)*	mm	5.6	6	7.5	8.8	10.5
Piston area	cm ²	63	79	114	167	203
Max. operating pressure	bar	30	30	30	30	30
Gripping force at 25 bar	kN	50	55	85	125	150
Gripping force at 25 bar HBL-D2 (2 jaws)*	kN	28	35	52	75	90
Weight (without top jaws)	kg	9.5	18	30	44	69

* The 2 jaw fixture is available with serrated master jaws (inch or metric) and long stroke only.



JAWS-CATALOG

Request or
download:
www.smw-autoblok.de



SMW-AUTOBLOK
462

SMW-AUTOBLOK
466

Stationary chuck, hydraulic Ø 130 - 315 mm

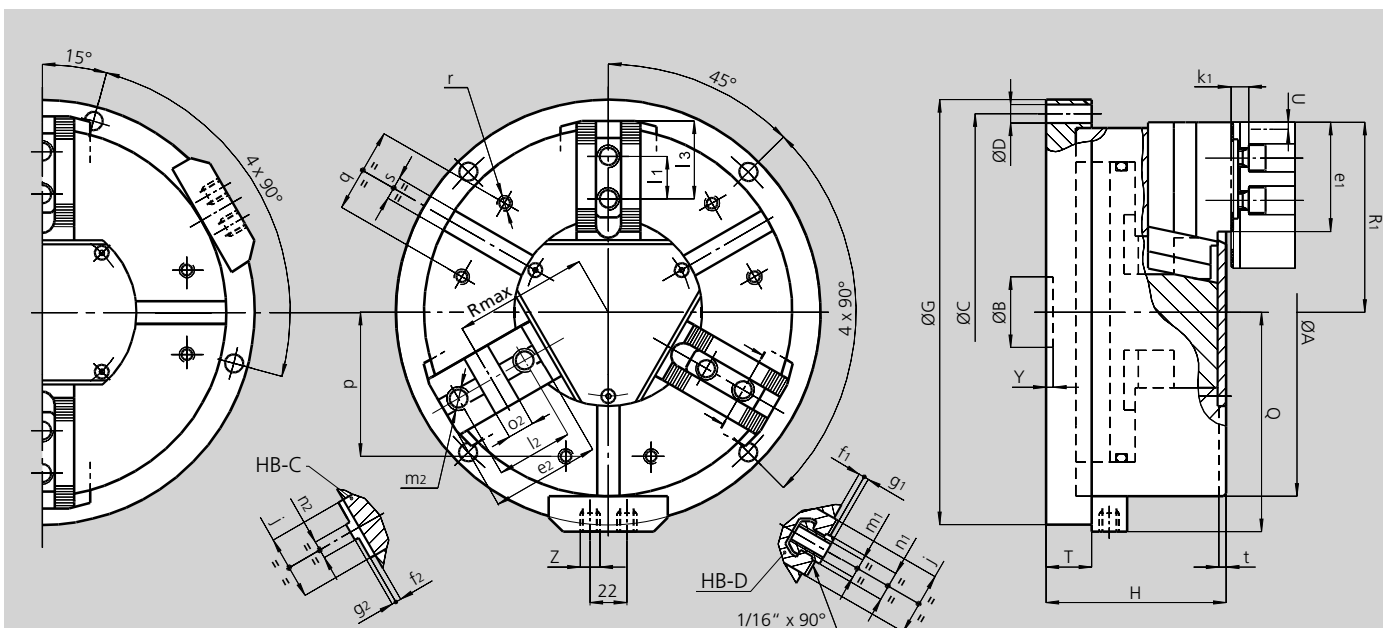
- Built-in hydraulic cylinder
- 2 and 3 jaws

HB-D

INCH SERRATION
2 or 3 jaws

HB-C

TONGUE & GROOVE
3 jaws



Subject to technical changes.
For more detailed information please ask our customer service.

Common dimensions

SMW-AUTOBLOK Type		HB-D 130	HB-D 165 HB-C 165	HB-D 210 HB-C 210	HB-D 250 HB-C 250	HB-D 315 HB-C 315
	A	mm	135	170	215	315
	B	mm	30	30	35	50
Fixing holes circle	C	mm	155	190	235	340
Fixing holes diameter	D	mm	9	11	11	13
	G	mm	175	210	255	360
	H	mm	89	100	117	141
	Q	mm	92.5	110	133	183
	T	mm	25	27	30	32
Radial jaw stroke (3 jaws)	U	mm	3	3.2	4	4.6
Radial jaw stroke HBL-D2 (2 jaws)	U	mm	5.6	6	7.5	10.5
	Y	mm	5	5	5	5
Hydraulic connections	Z	inch	R1/4"	R1/4"	R1/4"	R1/4"
	j	mm	26	30	36	45
	k1	mm	10	10	11	12
	p	mm	52	65	80	102
	q	mm	30	36	45	60
	r	mm	M6	M8	M8	M10
	s H12	mm	12	16	16	16
	t	mm	3.5	5	5	5

HB-D and HBL-D2 fixtures specific dimensions

SMW-AUTOBLOK Type		HB-D 130	HB-D 165	HB-D 210	HB-D 250	HB-D 315
	e1	mm	45	48	60	99
	f1	mm	3	4	3	4
	g1	mm	2.5	2.5	2.5	3.5
	l1	mm	16	16.5	23	30
T-nut position min. / max.	l3	mm	23 / 30	24 / 40	33 / 50	43 / 84
	m1	mm	M8	M10	M12	M16
	n1 h8	mm	12	14	17	21
Chuck open (3 jaws)	R1	mm	71	89	110	162
Chuck open HBL-D2 (2 jaws)	R1	mm	74	92	114	168

HB-C fixtures specific dimensions (available only as 3-jaw chuck version)

SMW-AUTOBLOK Type		HB-C 165	HB-C 210	HB-C 250	HB-C 315
	e2	mm	54	71	99
	f2	mm	4	4	4
	g2	mm	3	3	3
	l2	mm	38	44.4	54
	m2	mm	M10	M12	M16
	n2 h8	mm	7.94	7.94	12.70
	o2H7	mm	12.68	12.68	19.03
Chuck open	R1	mm	89	110	134
Chuck open	Rmax	mm	62	77	94

PB-D

INCH SERRATION
2 or 3 jaws

PB-C

TONGUE & GROOVE
3 jaws

Stationary chuck, pneumatic Ø 130 - 315 mm

- Built-in cylinder
- 2 and 3 jaws



Application/customer benefits

- Self centering chuck used on milling machines, machining centers and special machines

PB-D: INCH SERRATED master jaws (1/16" x 90°)

PB-C: TONGUE & GROOVE master jaws (American standard)

PB-M: METRIC SERRATED master jaws (1.5 mm x 60°) **on request**

Technical features

- Stationary chuck consisting of a 2- or 3-jaw chuck with a built-in pneumatic cylinder
 - Compact design
 - Case hardened body to assure consistent high precision and long chuck life
- Caution!** A service unit consisting of a filter, dryer and oiler must be installed in the supply line.

Standard equipment

Clamping unit
1 set of soft blank top jaws
(PB-C excluded)

Ordering example

Stationary chuck PB-C 250 (3 jaws)

or

Stationary chuck PBL-D2 165 (2 jaws)

Technical data

SMW-AUTOBLOK Type		PB-D 130	PB-D 165 PB-C 165	PB-D 210 PB-C 210	PB-D 250 PB-C 250	PB-D 315 PB-C 315
Radial jaw stroke	mm	3.2	3.6	4.4	5	6.3
Radial jaw stroke PBL-D2 (2 jaws)*	mm	6	6.8	8.4	9.7	12
Piston area	cm ²	82	143	236	358	548
Max. operating pressure	bar	7	7	7	7	7
Gripping force at 6 bar	kN	14	24	42	64	98
Gripping force at 6 bar PBL-D2 (2 jaws)*	kN	9	16	26	39	60
Weight (without top jaws)	kg	9	17	28	42	63

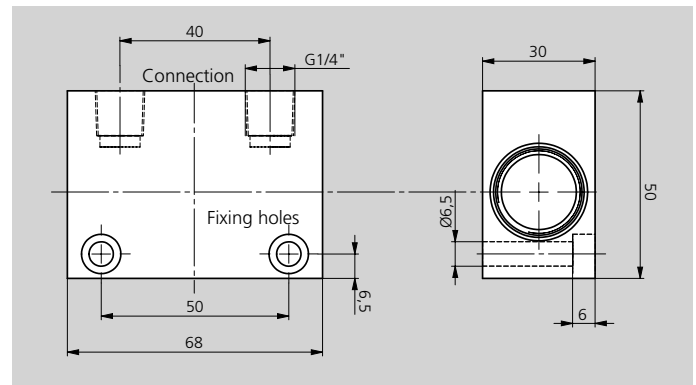
* The 2 jaw fixture is available with serrated master jaws (inch or metric) and long stroke only.

Option for the PB-D and PB-C chuck

Safety unit that maintains a constant pressure inside the cylinder which maintains a steady clamping force even in case of a drop or lack of line pressure

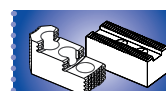
SAB

Safety unit with double non-return valve,
Id. No. 27581620

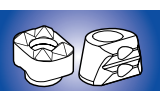


JAWS-CATALOG

Request or
download:
www.smw-autoblok.de



SMW-AUTOBLOK
462



SMW-AUTOBLOK
466

Stationary chuck, pneumatic Ø 130 - 315 mm

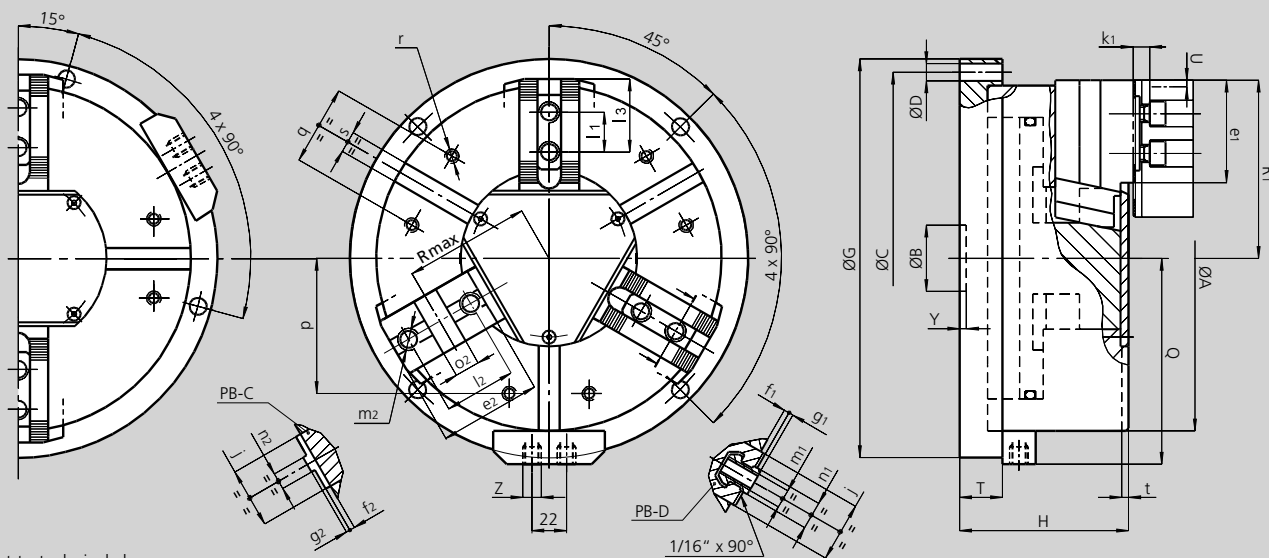
- Built-in cylinder
- 2 and 3 jaws

PB-D

INCH SERRATION
2 or 3 jaws

PB-C

TONGUE & GROOVE
3 jaws



Subject to technical changes.
For more detailed information please ask our customer service.

Common dimensions

SMW-AUTOBLOK Type			PB-D 130	PB-D 165 PB-C 165	PB-D 210 PB-C 210	PB-D 250 PB-C 250	PB-D 315 PB-C 315
	A	mm	135	170	215	260	315
	B	mm	30	30	35	50	50
Fixing holes circle	C	mm	155	190	235	280	340
Fixing holes diameter	D	mm	9	11	11	13	13
	G	mm	175	210	255	300	360
	H	mm	89	100	117	127	141
	Q	mm	93	110	133	155	183
Radial jaw stroke (3 jaws)	T	mm	25	27	30	32	32
Radial jaw stroke PBL-D2 (2 jaws)	U	mm	3.2	3.6	4.4	5	6.3
	U	mm	6	6.8	8.4	9.7	12
	Y	mm	5	5	5	5	5
Pneumatic connections	Z	inch	R1/4"	R1/4"	R1/4"	R1/4"	R1/4"
	j	mm	26	30	36	45	45
	k1	mm	10	10	11	12	12
	p	mm	52	65	80	102	120
	q	mm	30	36	45	60	60
	r	mm	M6	M8	M8	M10	M10
	s H12	mm	12	16	16	16	16
	t	mm	5	5	5	5	5

PB-D and PBL-D2 fixtures specific dimensions

SMW-AUTOBLOK Type			PB-D 130	PB-D 165	PB-D 210	PB-D 250	PB-D 315
	e1	mm	37	48	60	77	99
	f1	mm	3	4	3	4	4
	g1	mm	2.5	2.5	2.5	3.5	3.5
	l1	mm	16	16.5	23	30	30
T-nut position min. / max.	l3	mm	23 / 30	24 / 40	33 / 50	43 / 62	43 / 84
	m1	mm	M8	M10	M12	M16	M16
	n1 h8	mm	12	14	17	21	21
Chuck open (3 jaws)	R1	mm	71	89	110	134	162
Chuck open PBL-D2 (2 jaws)	R1	mm	74	92	114	138.5	168

PB-C fixtures specific dimensions (available in 3-jaw chuck version only)

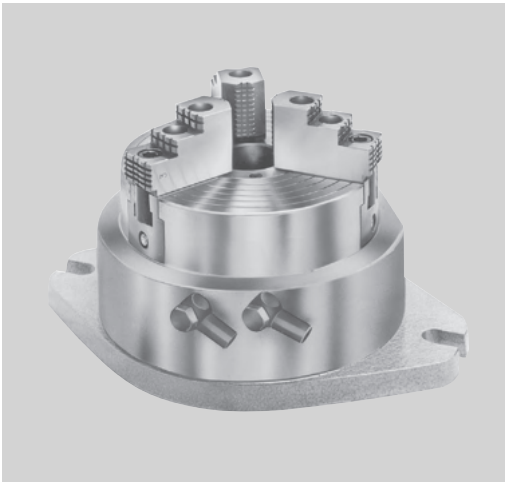
SMW-AUTOBLOK Type			PB-C 130	PB-C 165	PB-C 210	PB-C 250	PB-C 315
	e2	mm	-	54	71	77	99
	f2	mm	-	4	4	4	4
	g2	mm	-	3	3	3	3
	l2	mm	-	38	44.4	54	63.5
	m2	mm	-	M10	M12	M16	M16
	n2 h8	mm	-	7.94	7.94	12.70	12.70
	o2 H7	mm	-	12.68	12.68	19.03	19.03
Chuck open	R1	mm	-	89	110	134	162
Chuck open	Rmax	mm	-	62	77	94	109

STP

INCH SERRATION
3 jaws

Stationary chuck, pneumatic Ø 125 - 280 mm

- Built-in cylinder
- With through-hole



Application/customer benefits

- Self centering stationary chuck used on milling machines / machining centers / special machines
- Low profile - large open center
- Easy installation on the machine

Technical features

- Stationary chuck consisting of a 3-jaw chuck with a built-in pneumatic cylinder
- Operating pressure from 2 to 10 bar

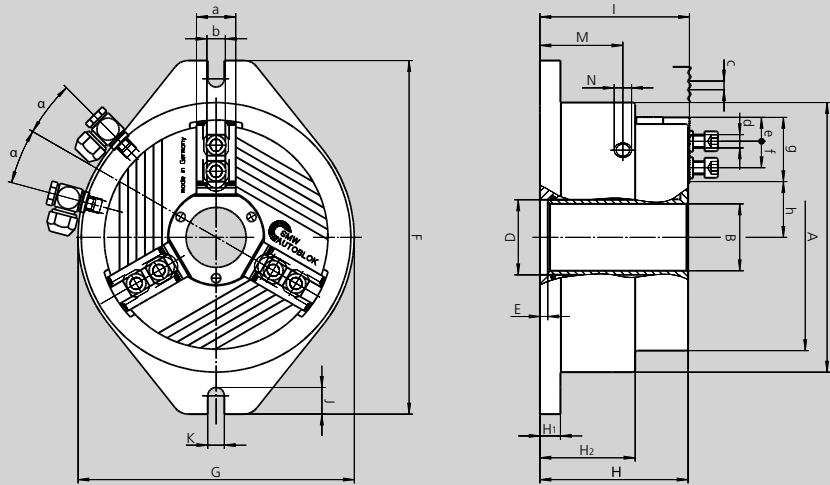
Caution! A service unit consisting of a filter, dryer and oiler must be installed in the supply line.

Standard equipment

- Stationary chuck
- 1 set T-nuts with bolts
- 1 set of soft blank top jaws
- 2 elbow fittings G1/4"
- (G1/8" on STP 125)

Ordering example

Stationary chuck STP 280 (3 jaws)



Subject to technical changes.
For more detailed information please ask our customer service.

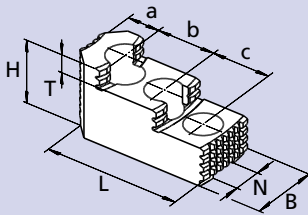
Technical data

SMW-AUTOBLOK Type Id. No.		STP 125 013904	STP 160 013905	STP 240 053273	STP 280 052810
	A mm	136	171	240	284
	B mm	26	38	78	92
	C mm	156	201	250	316
	D H6 mm	34	46	86	102
	E mm	8	7.5	7	6
	F mm	220	275	320	400
	G mm	160	206	250	316
	H mm	102.5	130	134	155.5
	H1 mm	14.5	19	18.5	23.5
	H2 mm	66	83	86	97.5
	I mm	104	132	135.5	157
	J mm	22	24	24	30
	K mm	13	15	15	18
	M mm	57	72	75	86
Pneumatic connections	N inch	G 1/8"	G 1/4"	G 1/4"	G 1/4"
	a mm	25	30	36	44
	b f7 mm	12	14	17	21
Serration	c inch	1/16" x 90°	1/16" x 90°	1/16" x 90°	1/16" x 90°
Bolt ISO 4762 12.9	d mm	M8 x 30	M10 x 35	M12 x 35	M16 x 40
Min.	e mm	4	6	8	12
T-nuts distance min. / max.	f mm	17/25	17/31	22/41.5	25/51
Serration length	g mm	40	50	59	75
Min. / max.	h mm	25.9 / 28.9	24.9 / 37	57.7 / 61.9	70 / 65
	α deg.	15	15	15	7.5

Radial jaw stroke	mm	3	4.1	4.2	5
Operating pressure min. / max.	bar	2 / 10	2 / 10	2 / 10	2 / 10
Piston area	cm ²	129	206	290	532
Gripping force at 6 bar	kN	20	35	60	95
Air consumption at 6 bar	l	1	2.4	5.5	6.6
Weight (without top jaws)	kg	19	21	40	56

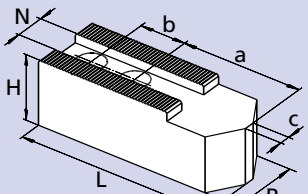
- Top jaws
- T-nuts

MHB-D Hardened reversible top jaws



Chuck Type	STP 125	STP 160	STP 240	STP 280
Jaw type	MHB-D 125	MHB-D 160	MHB-D 200	MHB-D 251
Id. No. (set)	12081306	12081636	12082036	12083036
B	30	34	40	5
H	34	39	45	56
L	58	65	82	105
T	8.5	10	10.5	13.5
N	12	14	17	21
Serration	1/16" x 90°	1/16" x 90°	1/16" x 90°	1/16" x 90°
a	13	18	19	26
b	16	16	23	30
c	16	16	23	30
kg / set	0.6	0.9	1.7	2.85

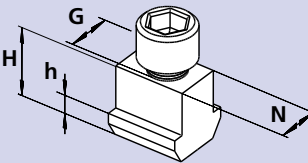
AWB-D Soft top jaws



Chuck Type	STP 125	STP 160	STP 240	STP 280
Jaw type	AWB-D 125	AWB-D 165	AWB-D 200	AWB-D 250
Id. No. (set)	12071300*	035954	081616	081618
B	30	40	40	50
H	30	40	40	50
L	60	80	90	120
N	12	14	17	21
Serration	1/16" x 90°	1/16" x 90°	1/16" x 90°	1/16" x 90°
a	29	43	53	70
b	16	22	22	28
kg / set	0.9	2.0	2.7	5.1

* Id. No. is per piece. 1 set = 3 pieces.

NST T-nuts



Chuck Type	STP 125	STP 160	STP 240	STP 280
T-nut type	NST 12	NST 14	NST 17-4	NST 21-5
Id. No.	089810*	013863*	013864*	033429*
N	12	14	17	21
H	21.5	26.5	26.5	30
h	7.5	9.5	9.5	11
G	M8	M10	M12	M16
Bolt ISO 4762 12.9	M8 x 30	M10 x 35	M12 x 35	M16 x 40
Tighten torque	30	50	70	150

* Id. No. is per piece. 1 set = 6 pieces.

JAWS-CATALOG
Request or
download:
www.smw-autoblok.de



M2-PB

Multiple fixture
with 2 chucks

Multiple chucks on fixture, pneumatic Ø 130 - 315 mm

- 2 or 3 jaws (PB-D / PB-M)
- 3 jaws (PB-C)



Application/customer benefits

- For milling machines / machining centers to clamp and machine multiple pieces

M2-PB: Multiple fixture with 2 chucks type PB-D, PB-C or PB-M

Technical features

- The basic model needs separate circuits to operate the chucks singularly
 - 1st option:** SAB safety unit with non-return valve for every chuck.
 - 2nd option:** single non-return valve to operate all chucks simultaneously, with coupling unit to repressurize the fixtures after the storage of the pallets.
 - 3rd option:** every chuck can be equipped with a spring loaded clamping unit (internal or external clamping), to hold the workpieces during the pallet transfer.

Standard equipment

Multiple chucks on fixture
1 set of soft blank top jaws and
1 set T-nuts with bolts
(PB-C excluded)

Ordering example

Multiple chucks on fixture M2-PBC 250
(3 jaws)

Technical data

SMW-AUTOBLOK Type		M2-PB 130	M2-PB 165	M2-PB 210	M2-PB 250	M2-PB 315
Chucks radial jaw stroke	mm	3.2	3.6	4.4	5	6.3
Chucks radial jaw stroke PBL-D2 (2 jaws)*	mm	6	6.8	8.4	9.7	12
Actuating cylinder piston area	cm ²	82	143	236	358	548
Max. operating pressure	bar	7	7	7	7	7
Chucks gripping force at 6 bar	kN	14	24	42	64	98
Chucks gripping force at 6 bar PBL-D2 (2 jaws)*	kN	9	16	26	39	60
Weight (without top jaws)	kg	29.5	49	83	121	172

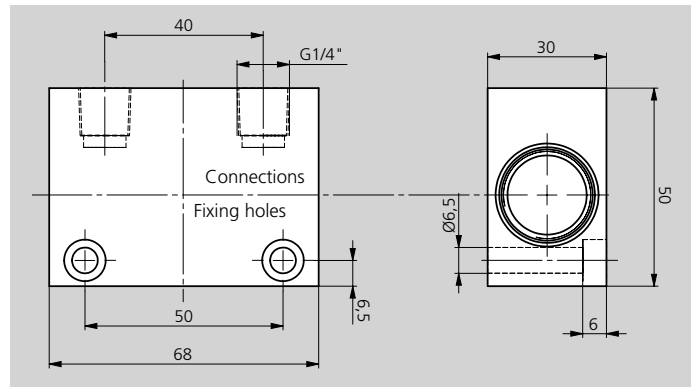
* The 2-jaw fixture is available with serrated master jaws (inch or metric) and long stroke only.

Option for the M2-PB fixture

Safety unit that maintains a constant pressure inside the cylinder which maintains a steady clamping force even in case of a drop or lack of line pressure.

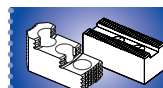
SAB

Safety unit with double non-return valve
Id. No. 27581620

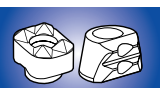


JAWS-CATALOG

Request or
download:
www.smw-autoblok.de



SMW-AUTOBLOK
462



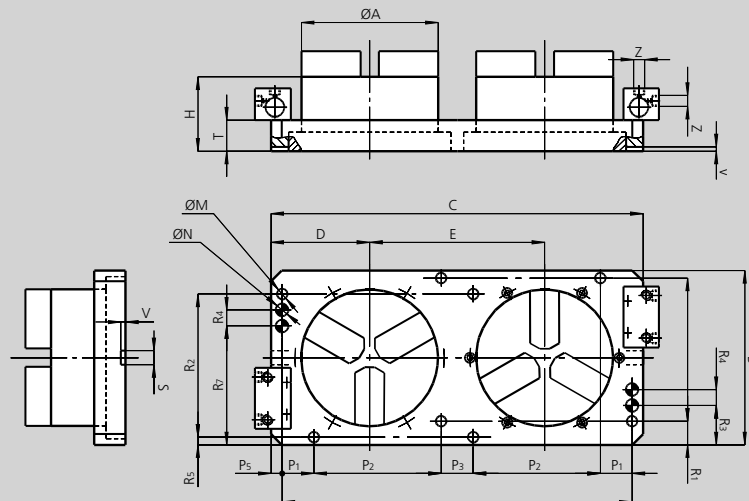
SMW-AUTOBLOK
466

Multiple chucks on fixture, pneumatic Ø 130 - 315 mm

- 2 or 3 jaws (PB-D / PB-M)
- 3 jaws (PB-C)

M2-PB

Multiple fixture
with 2 chucks



Subject to technical changes.
For more detailed information please ask our customer service.

M2-PB dimensions

SMW-AUTOBLOK Type			M2-PB 130	M2-PB 165	M2-PB 210	M2-PB 250	M2-PB 315
Chuck diameter	A	mm	135	170	215	260	315
	B	mm	198	224	274	324	374
	C	mm	400	460	585	660	780
	D	mm	107.5	131	155	175	205
	E	mm	185	223	275	310	370
	H	mm	89	100	117	127	141
Fixing holes diameter	M	mm	17	17	17	17	17
Reference pin holes	N H8	mm	20	20	20	20	20
	P1	mm	-	50	50	50	50
	P2	mm	150	150	200	250	300
	P3	mm	50	50	50	-	-
	P5	mm	25	17.5	17.5	30	40
	P6	mm	350	460	550	600	700
	R1	mm	24	37	37	37	37
	R2	mm	150	175	225	275	325
	R3	mm	24	62	62	62	62
	R4	mm	-	25	25	25	25
R5	mm	24	12	12	12	12	
R7	mm	174	137	187	237	287	
S	mm	14	18	18	18	18	
T	mm	39	44	49	54	54	
V	mm	6	6	6	6	6	
Pneumatic connections	Z	inch	R1/4"	R1/4"	R1/4"	R1/4"	R1/4"

PBI-D

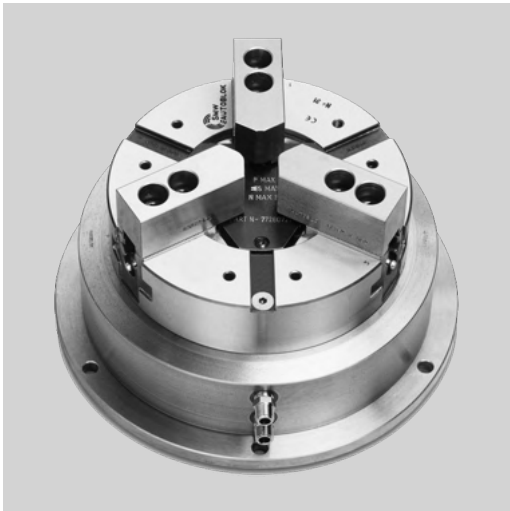
INCH SERRATION
2 or 3 jaws

PBI-C

TONGUE & GROOVE
3 jaws

Pneumatic chuck for indexing tables Ø 165 - 315 mm

- Built-in cylinder
- 2 and 3 jaws



Application/customer benefits

- Self centering rotating chuck with a pneumatic manifold used on indexing tables, not designed for constant rotation on turning machines

PBI-D: INCH SERRATED master jaws (1/16" x 90°)

PBI-C: TONGUE & GROOVE master jaws

PBI-M: METRIC SERRATED master jaws (1.5 mm x 60°) **on request**

Technical features

- 2- / 3-jaw chuck with a built-in pneumatic cylinder
 - Manifold for air supply (only for indexing)
 - Case hardened body to assure consistent high precision and long chuck life
- Important!** Due to the friction between fixed manifold and rotating central body, the indexing table must provide a higher rotation torque than the one shown in the schedule below!

Standard equipment

Chuck unit
 1 set of soft blank top jaws
 (PBI-C excluded)
 1 set T-nuts with bolts
 (PBI-C excluded)

Ordering example

3-jaw chuck PBI-C 250
 or
 2-jaw chuck PBI-D 165

Technical data

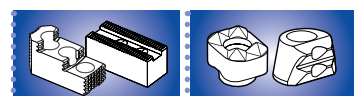
SMW-AUTOBLOK Type		PBI-D 165 PBI-C 165	PBI-D 210 PBI-C 210	PBI-D 250 PBI-C 250	PBI-D 315 PBI-C 315
Radial jaw stroke	mm	3.6	4.4	5	6.3
Radial jaw stroke PBIL-D2 (2 jaws)*	mm	6.8	8.4	9.7	12
Piston area	cm ²	143	236	358	548
Max. operating pressure	bar	7	7	7	7
Gripping force at 6 bar	kN	24	42	64	98
Gripping force at 6 bar PBIL-D2 (2 jaws)*	kN	16	26	39	60
Torque Md	Nm	40	60	85	120
Weight (without top jaws)	kg	23	38	56	82

* The 2-jaw fixture is available with serrated master jaws (inch or metric) and long stroke only.



JAWS-CATALOG

Request or
download:
www.smw-autoblok.de



SMW-AUTOBLOK
462

SMW-AUTOBLOK
466

Pneumatic chuck for indexing tables Ø 165 - 315 mm

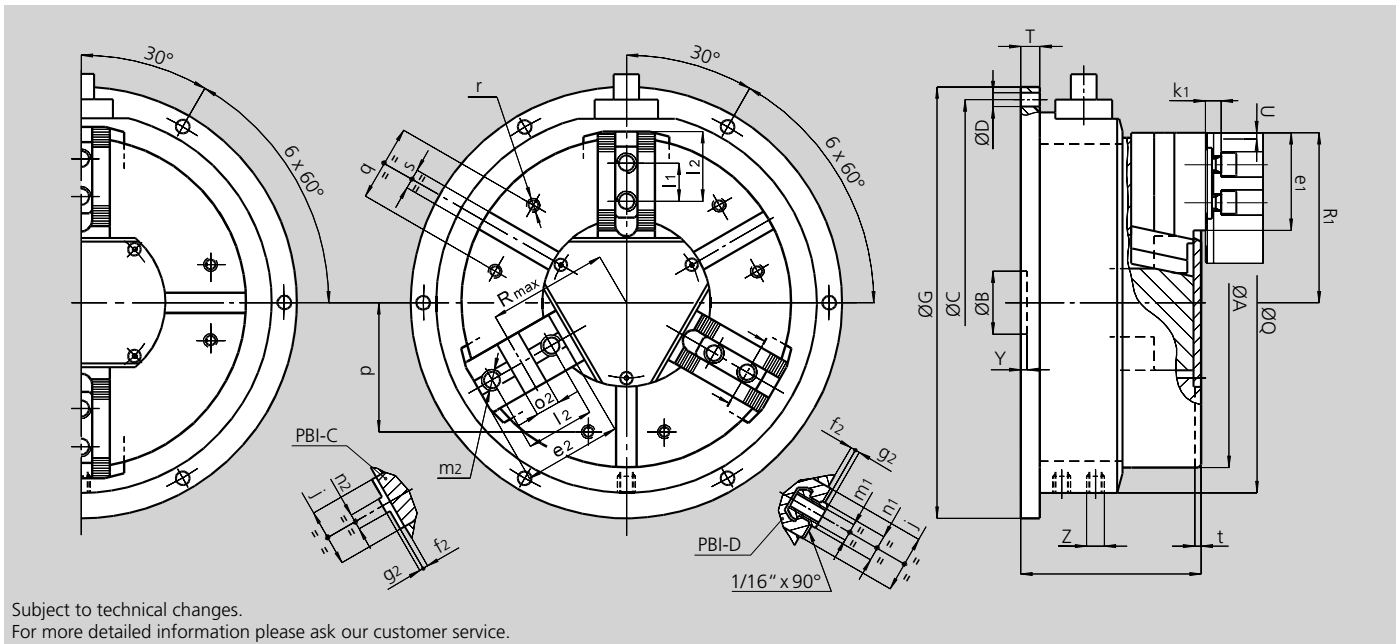
- Built-in cylinder
- 2 and 3 jaws

PBI-D

INCH SERRATION
2 or 3 jaws

PBI-C

TONGUE & GROOVE
3 jaws



Subject to technical changes.
For more detailed information please ask our customer service.

Common dimensions

SMW-AUTOBLOK Type			PBI-D 165 PBI-C 165	PBI-D 210 PBI-C 210	PBI-D 250 PBI-C 250	PBI-D 315 PBI-C 315
	A	mm	170	215	260	315
	B	mm	30	35	50	50
Fixing holes circle	C	mm	225	280	320	390
Fixing holes diameter	D	mm	9	11	11	13
	G	mm	240	300	340	415
	H	mm	114	132	140	145
	Q	mm	210	260	300	365
	T	mm	10	12	14	14
Radial jaw stroke (3 jaws)	U	mm	3.6	4.4	5	6.3
Radial jaw stroke PBIL-D2 (2 jaws)	U	mm	6.8	8.4	9.7	12
	Y	mm	5	5	5	5
Pneumatic connections	Z	inch	R1/4"	R1/4"	R1/4"	R1/4"
	j	mm	30	36	45	45
	k1	mm	10	11	12	12
	p	mm	65	80	102	120
	q	mm	36	45	60	60
	r	mm	M8	M8	M10	M10
	s H12	mm	16	16	16	16
	t	mm	5	5	5	5

PBI-D and PBIL-D2 fixtures dimensions

SMW-AUTOBLOK Type			PBI-D 165	PBI-D 210	PBI-D 250	PBI-D 315
	e1	mm	48	60	77	99
	f1	mm	4	3	4	4
	g1	mm	2.5	2.5	3.5	3.5
	l1	mm	16.5	23	30	30
T-nut position min. / max.	l3	mm	24 / 40	33 / 50	43 / 62	43 / 84
	m1	mm	M10	M12	M16	M16
	n1 h8	mm	14	17	21	21
Chuck open (3 jaws)	R1	mm	89	110	134	162
Chuck open PBIL-D2 (2 jaws)	R1	mm	92	114	138.5	168

PBI-C fixtures dimensions (available only in 3-jaw chuck version)

SMW-AUTOBLOK Type			PBI-C 165	PBI-C 210	PBI-C 250	PBI-C 315
	e2	mm	54	71	77	99
	f2	mm	4	4	4	4
	g2	mm	3	3	3	3
	l2	mm	38	44.4	54	63.5
	m2	mm	M10	M12	M16	M16
	n2 h8	mm	7.94	7.94	12.70	12.70
	o2 H7	mm	12.68	12.68	19.03	19.03
Chuck open	R1	mm	89	110	134	162
Chuck open	Rmax	mm	62	77	94	109

Notes

A large rectangular area filled with horizontal stripes in two shades of blue: a medium blue and a light blue. The stripes alternate in a repeating pattern, creating a template for writing notes.

Chuck switching system ■ Chuck flanges ■ Top jaws, T-nuts Grippers ■ Gripping force meter ■ Grease ■ Accessories



CCS
Chuck switching system
Manual chuck switching system

- Highest repeatability and change-over accuracy
- Automatic coupling of chuck in a single actuation
- Large through-hole
- Optical control for the locking status

Page 454



Gripping force tester
GFT®-X 4.0
Multi Device Tablet with expert apps

- Wireless handheld with rechargeable battery
- Dynamic or static gripping force measuring
- Speed measuring
- Display Software

Page 474



Chuck flanges
DIN 55026/ISO-A 702/1
Mounting flanges on short taper spindle noses

- Direct and indirect mounting
- Reducing flanges

Page 460

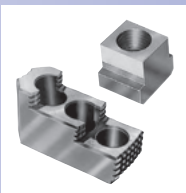


Grease K05®
 ■ For manual and power chucks

Grease K67®
 ■ Special grease for sealed chucks included in **proofline®** series

Grease gun
 ■ Important for safe operation and maintenance

Page 477

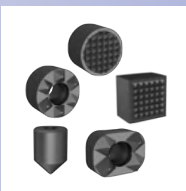


Top jaws, T-nuts

- Hard top jaws
- Soft top jaws
- T-nuts

Page 462

JAWS-CATALOG
 Request or download:
www.smw-autoblok.de



Grippers UGE, FGH + HDS
Clamping tips MGH

- Grippers, special steel hardened
- Grippers, carbide
- Clamping tips

Page 466

Jaw Finder

free application to search for jaws very quick and easy

www.smw-autoblok.de



Precision grippers
G14 + G25 - G15 + G30

- Controlled penetration
- G14 light duty pull down
- G25 heavy duty pull down
- G15 light duty high torque
- G30 heavy duty high torque

Page 469



ROTORI
Jaw boring set

- To bore jaws on the chuck

Page 472



Boring rings ADS

- For boring of soft top jaws on chucks

Page 473



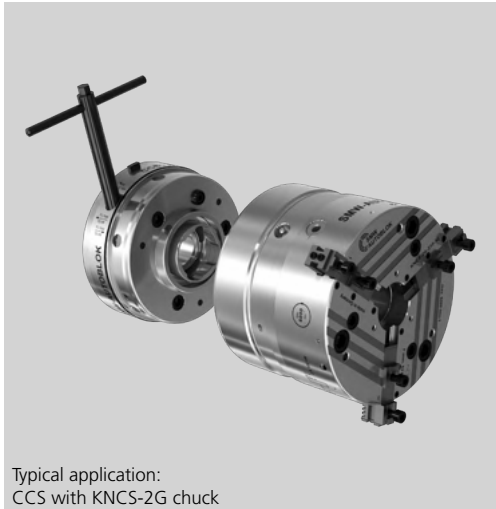
Dress and cleaning plate RPS
For dressing and cleaning of top jaw serrations

- 2 different serrations per plate (upper and lower side)

Page 473

Manual chuck switching system

- Highest repeatability and change-over accuracy
- Central actuation for locking and unlocking
- Large through-hole
- Optical control for the locking status



Typical application:
CCS with KNCS-2G chuck

Application/customers benefits

- Quick change-over of workholding on CNC machines
- Less down time and high changing accuracy
- Can be adapted to any spindle and any chuck

Technical features

- Highest repeatability and change-over accuracy
- Central actuation for locking and unlocking
- Large through-hole
- Optical control for the locking status
- Protected against contamination
- Automatic „push off“ of the adapter flange when opening the CCS

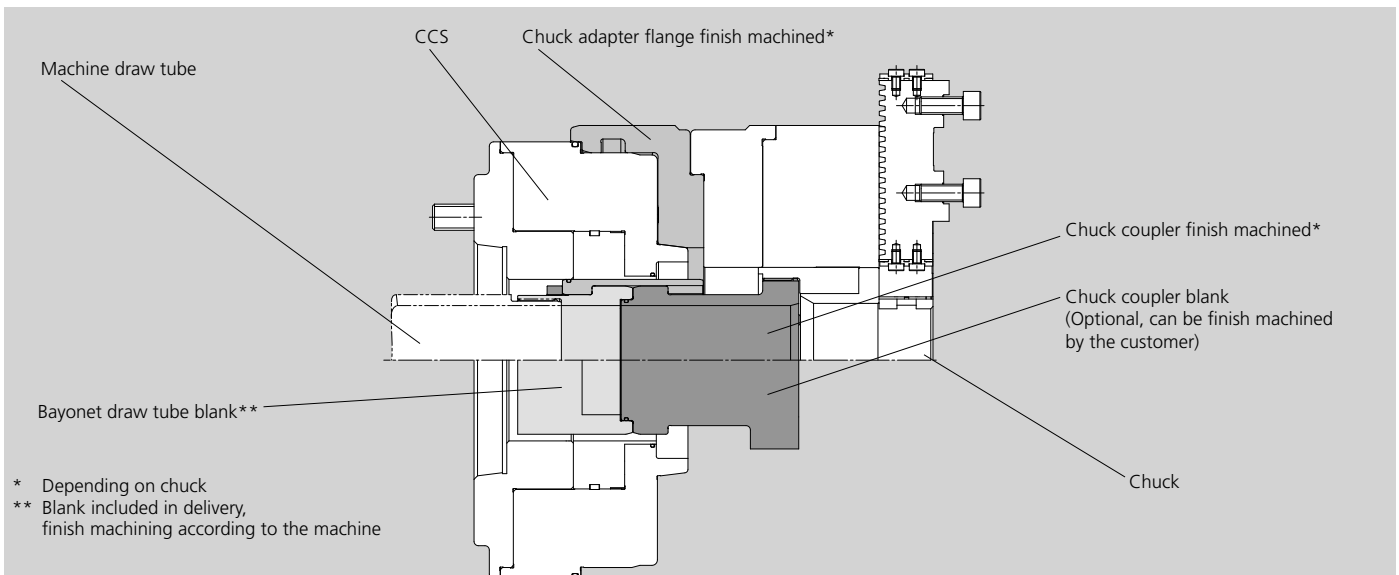
Standard equipment

- Chuck switching system
- Coupling sleeve
- Key
- Bayonet draw tube blank
- Threaded ring

Ordering example

- CCS-A06-A06, Id. No. 054600
- or
- CCS-Z170-A06, Id. No. 055015

Ordering review



* Depending on chuck
** Blank included in delivery, finish machining according to the machine

Subject to technical changes.
For more detailed information please ask our customer service.

Typical application:
CCS with KNCS-2G chuck

SMW-AUTOBLOK Type	Mounting	CCS		CCS		CCS	
		A06-A06	Z170-A06	A08-A08	Z220-A08	A11-A11	Z300-A11
Chuck switching system CCS HSP (open center)	Id. No.	054600	055015	054840	055016	054960	055017
Chuck switching system CCS VSP (closed center)	Id. No.	055010	055018	055011	055019	055012	055020
Chuck adapter flange Z140	Id. No.	on request		on request		on request	
Chuck adapter flange Z170	Id. No.	054622		055086		on request	
Chuck adapter flange Z220	Id. No.	055022		054864		055154	
Chuck adapter flange Z300	Id. No.	-		055023		054984	
Chuck adapter flange Z380	Id. No.	-		-		055024	
Chuck coupler blank	Id. No.	054616		054861		054981	
Chuck coupler finish machined KNCS-N-210-Z170	Id. No.	054621		-		-	
Chuck coupler finish machined KNCS-N-260-Z170	Id. No.	055082		-		-	
Chuck coupler finish machined KNCS-N-260-Z220	Id. No.	055160		054877		-	
Chuck coupler finish machined KNCS-N-325-Z220	Id. No.	-		054863		-	
Chuck coupler finish machined KNCS-N-325-Z300	Id. No.	-		055162		054983	
Chuck coupler finish machined KNCS-N-400-Z300	Id. No.	-		-		055165	
Chuck coupler finish machined KNCS-N-400-Z380	Id. No.	-		-		055166	
Chuck coupler finish machined KNCS-N-500-Z300	Id. No.	-		-		055167	
Chuck coupler finish machined KNCS-N-500-Z380	Id. No.	-		-		055168	
Chuck coupler finish machined BH-D-210	Id. No.	054882		-		-	
Chuck coupler finish machined BH-D-250	Id. No.	-		054879		-	

Manual chuck switching system (CCS-HSP)

- Highest repeatability and change-over accuracy
- Central actuation for locking and unlocking
- Large through-hole
- Optical control for the locking status

CCS

CHUCK SWITCHING SYSTEM

Installation onto machines with open center draw tube

⚠ The described design is for draw tubes with O.D. thread only!
For draw tubes with I.D. thread please contact SMW-AUTOBLOK!

⚠ Checking of spindle and draw tube (customer side):
In order to check the existing draw tube dimensions, the cylinder must be in the complete forward end position (dead stop in the cylinder)!
Screw the draw tube firmly into the cylinder and secure it against rotation.

Checking of the dimensions for usability:

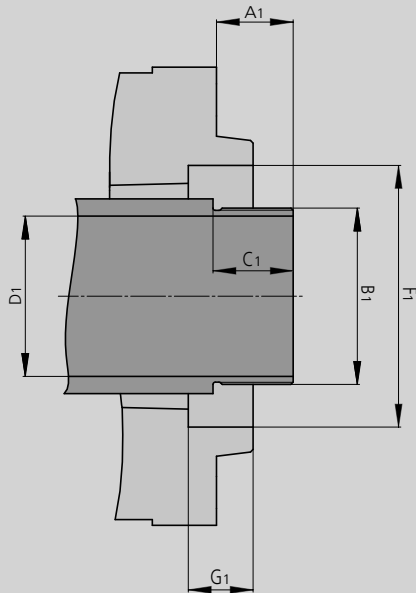
All surfaces have to be clean and free of burrs.

Carry out several measurements at different and opposed positions.

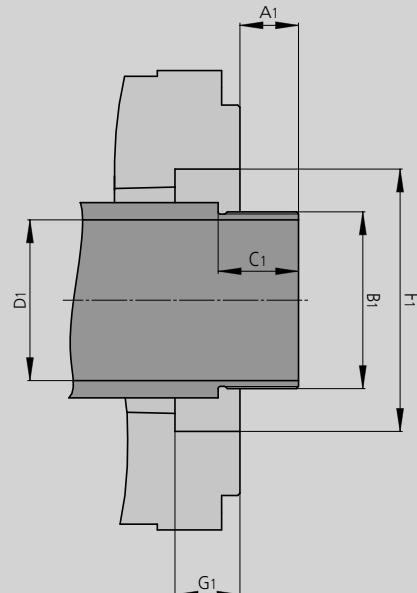
If the draw tube dimensions are within the dimensions (see table below) the existing draw tube can be used.

If the draw tube dimensions are not within the dimensions (see table below) a new draw tube has to be used!

Spindle with short taper mounting



Spindle with cylindrical mounting



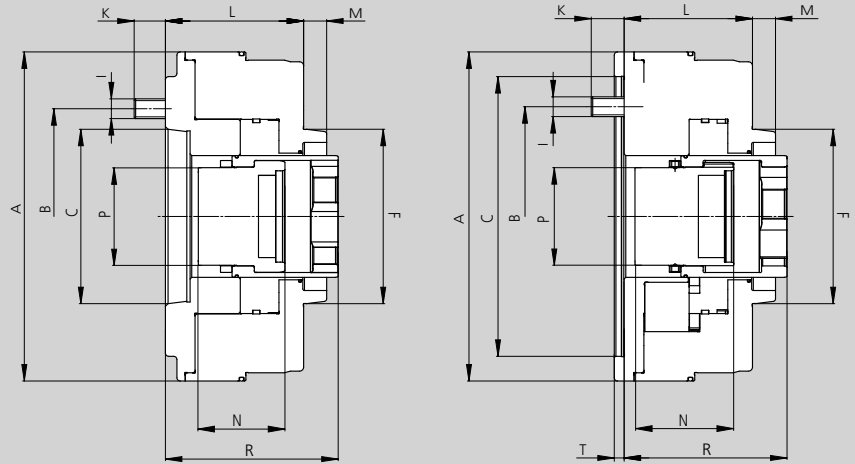
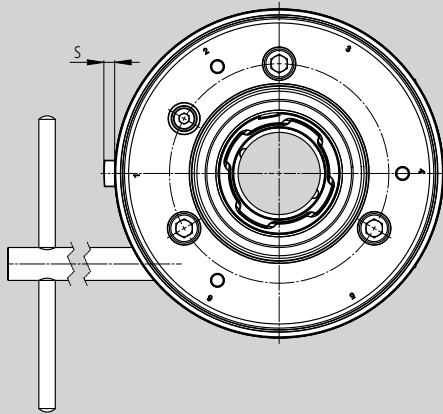
Spindle with short taper mounting

Check dimensions	CCS A06-A06	CCS A08-A08	CCS A11-A11
A1 min. / max.	25 / 50.5	25 / 53	28 / 69
B1 max.	M56 x 1.5	M77 x 1.5	M100 x 1.5
C1 min.	18	20	22
D1 max. (Ø)	50	70	92
F1 min. (Ø)	70	90	115
G1 min. (depth)	8	10	10

Spindle with cylindrical mounting

Check dimensions	CCS Z170-A06	CCS Z220-A08	CCS Z300-A11
A1 min. / max.	19 / 44.5	19 / 47	22 / 63
B1 max.	M56 x 1.5	M77 x 1.5	M100 x 1.5
C1 min.	18	20	22
D1 max. (Ø)	50	70	92
F1 min. (Ø)	70	90	-
G1 min. (depth)	8	10	-

- Highest repeatability and change-over accuracy
- Central actuation for locking and unlocking
- Large through-hole
- Optical control for the locking status



Subject to technical changes.
For more detailed information please ask our customer service.

SMW-AUTOBLOK Type open center (HSP)*		CCS-A06-A06	CCS-Z170-A06	CCS-A08-A08	CCS-Z220-A08	CCS-A11-A11	CCS-Z300-A11
Mounting	Size	A06	Z170	A08	Z220	A11	Z300
	A	200	200	250	250	300	315
	B	133.4	133.4	171.4	171.4	235	235
Mounting spindle side	C	A06	Z170	A08	Z220	A11	Z300
Mounting chuck side	F	A06	A06	A08	A08	A11	A11
	I	M12	M12	M16	M16	M20	M20
	K	19	20	22.5	23.5	30.5	31.5
	L	84	78	87.5	81.5	100.5	94.5
	M	14	14	16	16	18	18
	N	65	65	70	70	85	85
	P	59.3	59.3	79.3	79.3	105.3	105.3
Max. / min.	R	105 / 79.5	99 / 73.5	111 / 83	105 / 77	127 / 85	121 / 79
Max. axial stroke CCS		25.5	25.5	28	28	42	42
Stroke of indicator slide / optical control for the locking status	S	~ 6.5	~ 6.5	~ 6.5	~ 6.5	~ 6.8	~ 6.8
	T	-	6	-	6	-	6
Moment of inertia	kg·m ²	0.084	0.085	0.217	0.223	0.581	0.585
Weight without flange and chuck	kg	15.9	16.0	26.2	26.5	45.1	45.9
Max. possible through-hole Ø	mm	50	50	70	70	92	92
Max. chuck size **	Ø	260	260	325	325	500	500
Torque for wrench Md at CCS	Nm	22	22	40	40	55	55
Max. speed	r.p.m.	6300	6300	5000	5000	4700	4700

* Above values refer to SMW-AUTOBLOK standard chucks. For other chucks and for special application a separate approval from SMW-AUTOBLOK is necessary!
The same applies for special machining processes or when clamping heavy or long workpieces!

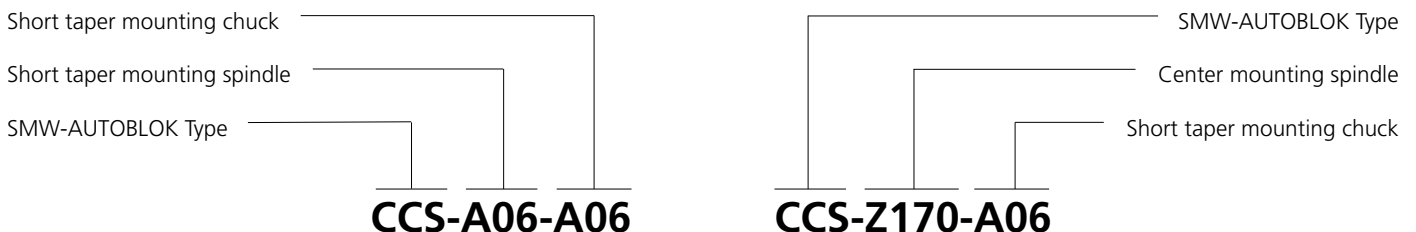
Technical data for outside clamping (pull)

Actuating force F max. (axial force of the cylinder)	kN	53	53	95	95	120	120
---	----	----	----	----	----	-----	-----

Technical data for inside clamping (push)

Actuating force F max. (axial force of the cylinder)	kN	35	35	60	60	80	80
---	----	----	----	----	----	----	----

* The **codes** on the **description of the type** have the following meaning:

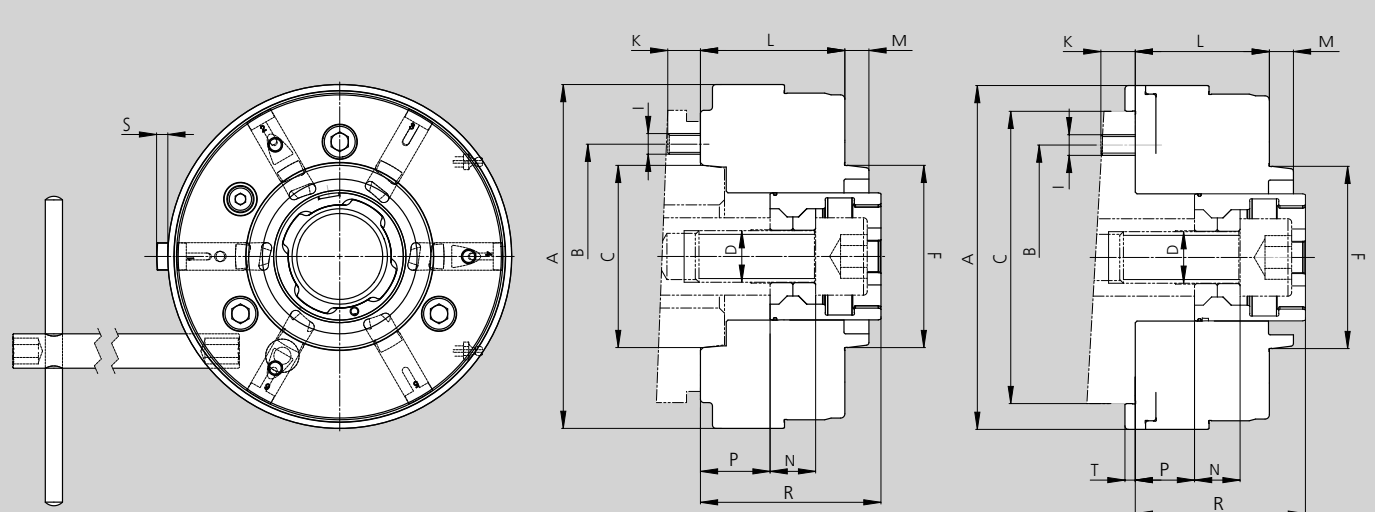


Manual chuck switching system (CCS-VSP)

CCS

- Highest repeatability and change-over accuracy
- Central actuation for locking and unlocking
- Optical control for the locking status

CHUCK SWITCHING SYSTEM
for closed center (Type VSP)



Subject to technical changes.
For more detailed information please ask our customer service.

SMW-AUTOBLOK Type closed center (VSP)*		CCS-A06-A06	CCS-Z170-A06	CCS-A08-A08	CCS-Z220-A08	CCS-A11-A11	CCS-Z300-A11
Mounting	Size	A06	Z170	A08	Z220	A11	Z300
	A	200	200	250	250	300	315
	B	133.4	133.4	171.4	171.4	235	235
Mounting spindle side	C	A06	Z170	A08	Z220	A11	Z300
Draw bar thread max.	D	M30	M30	M36	M36	M42	M42
Mounting chuck side	F	A06	A06	A08	A08	A11	A11
	I	M12	M12	M16	M16	M20	M20
	K	19	20	22.5	23.5	30.5	31.5
	L	84	78	87.5	81.5	100.5	94.5
	M	14	14	16	16	18	18
	N	26.5	26.5	24.35	24.35	24.35	24.35
Max. (draw bar)	P	40.5	34.5	45	39	61	55
Max. / min.	R	105 / 79.5	99 / 73.5	111 / 83	105 / 77	127 / 85	121 / 79
Max. axial stroke CCS		25.5	25.5	28	28	42	42
Stroke of indicator slide / optical control for the locking status	S	~ 6.5	~ 6.5	~ 6.5	~ 6.5	~ 6.8	~ 6.8
	T	-	6	-	6	-	6
Moment of inertia	kg·m ²	0.085	0.086	0.240	0.260	0.600	0.620
Weight without flange and chuck	kg	17.1	17.3	28.3	28.6	48.9	49.8
Max. chuck size **	Ø	260	260	400	400	500	500
Torque for wrench Md at CCS	Nm	22	22	40	40	55	55
Max. speed	r.p.m.	6300	6300	5000	5000	4700	4700

** Above values refer to SMW-AUTOBLOK standard chucks.
For other chucks and for special application a separate approval from SMW-AUTOBLOK is necessary!

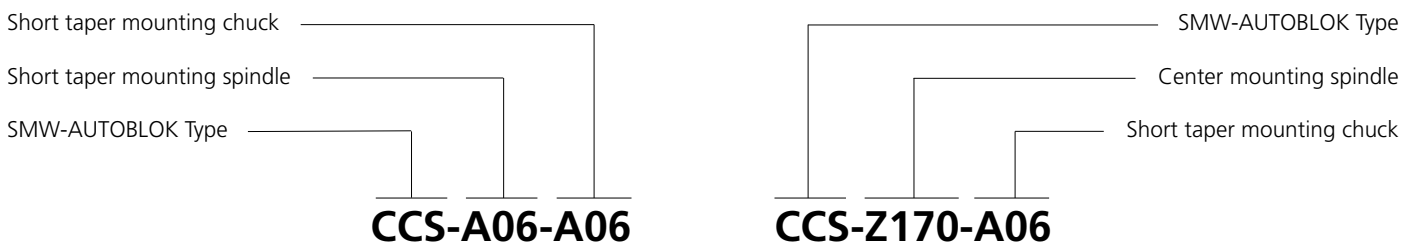
Technical data for outside clamping (pull)

Actuating force F max. (axial force of the cylinder)	kN	53	53	95	95	120	120
---	----	----	----	----	----	-----	-----

Technical data for inside clamping (push)

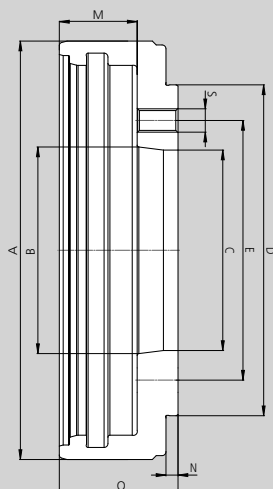
Actuating force F max. (axial force of the cylinder)	kN	35	35	60	60	80	80
---	----	----	----	----	----	----	----

* The **codes** on the **description of the type** have the following meaning:

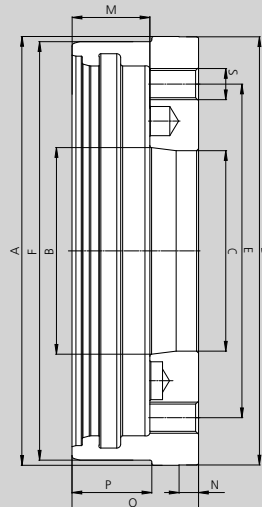


Technical data chuck adapter flange finish machined

Dimension for:
054622
054864
054984



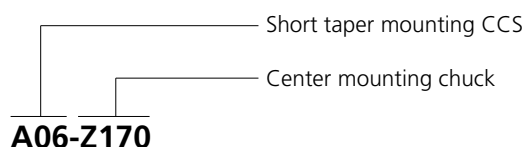
Dimension for:
055022
055023
055024



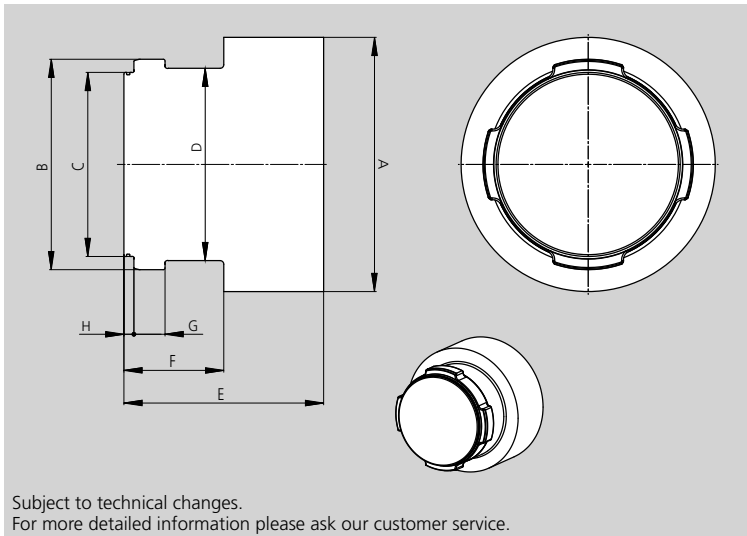
Subject to technical changes.
For more detailed information please ask our customer service.

SMW-AUTOBLOK Type	CCS-A06-A06 CCS-Z170-A06	CCS-A06-A06 CCS-Z170-A06	CCS-A08-A08 CCS-Z220-A08	CCS-A08-A08 CCS-Z220-A08	CCS-A11-A11 CCS-Z300-A11	CCS-A11-A11 CCS-Z300-A11
Type chuck adapter flange *	A06-Z170	A06-Z220	A08-Z220	A08-Z300	A11-Z300	A11-Z380
Id. No.	054622	055022	054864	055023	054984	055024
A	∅ 215	220.3	280	300.3	340	380.3
B	∅ 106.375 (A06)	106.375 (A06)	139.719 (A08)	139.719 (A08)	196.869 (A11)	196.869 (A11)
C	∅ 103	103	136	136	193	193
D	∅ 170	220	220	300	300	380
E	∅ 133.4	171.4	171.4	235	235	380.2
F	∅ -	215	-	280	-	340
M	40	40	40.75	40.75	43	43
N	6.2	10	6.2	12.5	8.2	15
O	61	65	68.25	71.75	75	97
P	-	41	-	42	-	44
S (Thread)	M12	M16	M16	M20	M20	M24
S (division / number)	15° / 22	15° / 24	15° / 19	15° / 24	15° / 22	15° / 24

* The codes on the description of the chuck adapter flange type have the following meaning:



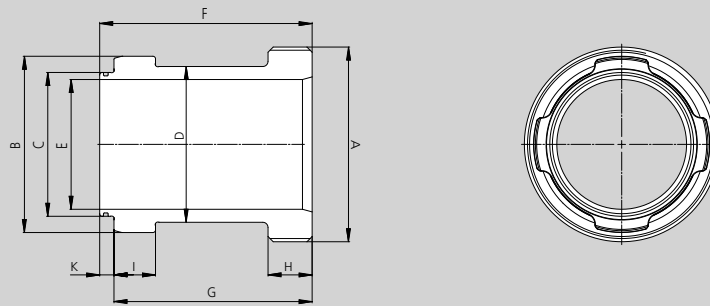
Technical data chuck coupler blank



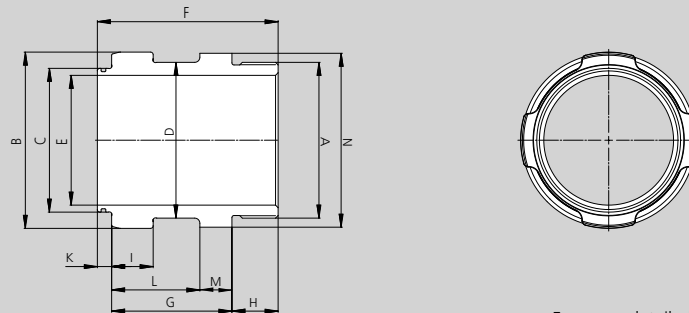
SMW-AUTOBLOK Type	CCS-A06-A06 CCS-Z170-A06	CCS-A08-A08 CCS-Z220-A08	CCS-A11-A11 CCS-Z300-A11
Chuck coupler blank	054616	054861	054981
A	∅ 103	135	186
B	∅ 67.9	88.9	115.9
C	∅ 55.4	75.4	101.4
D	∅ 60	80	105.9
E	94	105	144
F	39.5	45	55
G	16	17.15	17.15
H	5.5	5.5	5.5

Technical data chuck coupler finish machined

Dimension for CCS + KNCS-N



Dimension for CCS + BH-D



Subject to technical changes.
For more detailed information please ask our customer service.

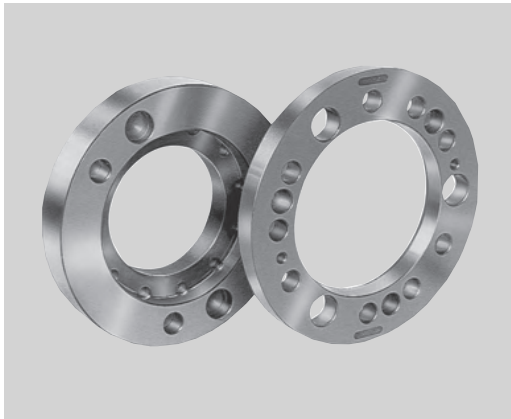
SMW-AUTOBLOK Type	CCS-A06-A06 CCS-Z170-A06	CCS-A06-A06 CCS-Z170-A06	CCS-A06-A06 CCS-Z170-A06	CCS-A08-A08 CCS-Z220-A08	CCS-A08-A08 CCS-Z220-A08	CCS-A08-A08 CCS-Z220-A08	CCS-A11-A11 CCS-Z300-A11	CCS-A11-A11 CCS-Z300-A11	CCS-A11-A11 CCS-Z300-A11
for chuck	KNCS-N-210	BH-D-210	KNCS-N-260	BH-D-250	KNCS-N-260	KNCS-N-325	KNCS-N-325	KNCS-N-400	KNCS-N-500
Mounting	Z170	Z170	Z170	Z220	Z220	Z220	Z300	Z300	Z380
Chuck coupler	054621	054882	055082	055160	054879	054877	054863	055162	054983
A	∅ M75 x 2.0	M60 x 1.5	M102 x 2.0	M72 x 1.5	M102 x 2.0	M132 x 2.0	M132 x 2.0	M160 x 2.0	M185 x 2.0
B	∅ 67.9	67.9	67.9	88.9	88.9	88.9	88.9	115.9	115.9
C	∅ 55.4	55.4	55.4	75.4	75.4	75.4	75.4	101.4	101.4
D	∅ 60	60	60	80	80	80	80	105.9	105.9
E	∅ 50	50	50	66	70	70	70	92	92
F	81.35	69.35	88.1	92.1	83	96	97.85	101.25	99.6
G	75.85	48.85	82.6	86.6	60.5	90.5	92.35	95.75	94.1
H	16.5	15	22.5	17	22.5	24.5	24.5	24.5	24.5
I	16	16	16	17.15	17.15	17.15	17.15	17.15	17.15
K	5.5	5.5	5.5	5.5	5.5	5.5	5.5	5.5	5.5
L	-	34	-	40.5	-	-	-	-	-
M	-	14.85	-	20	-	-	-	-	-
N	∅ -	88	-	120	-	-	-	-	-

Chuck flanges

DIN 55026 / ISO-A 702/1

Mounting flanges on short taper spindle noses

- Direct and indirect mounting
- Reduction and extension flanges



Application/customer benefits

- Chuck flanges for short taper mount spindles (DIN 55026 / ISO-A 702/1)
- Easy installation of chucks on the machine spindle

Flange FF 1 = Direct mounting

Flange FF 2 = Reduction of taper

Flange FF 3 = Increase of taper

Technical data

- Case hardened flanges (up to $\varnothing 220$)
- High precision grinding of the taper and all reference dimensions

Standard equipment

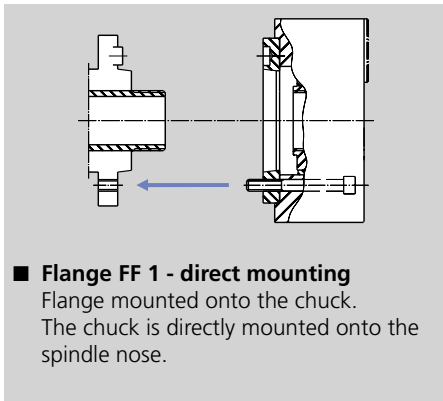
Fixing bolts of the indirect mounting flange on the spindle nose

Ordering example

Direct flange FF 1 A6 Id. No. 24162000

or

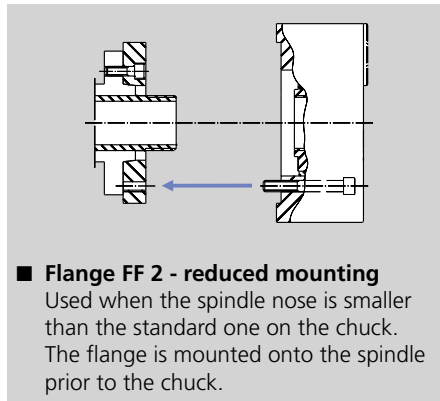
Reduction flange FF 2 A5 Id. No. 24152000



■ Flange FF 1 - direct mounting

Flange mounted onto the chuck.

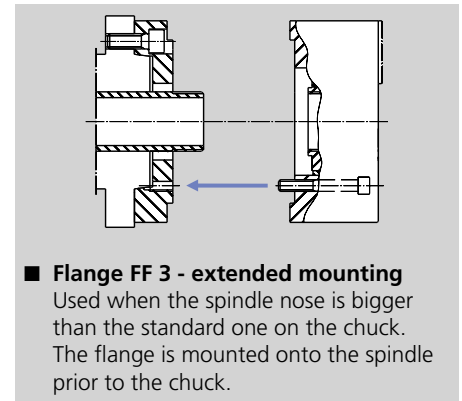
The chuck is directly mounted onto the spindle nose.



■ Flange FF 2 - reduced mounting

Used when the spindle nose is smaller than the standard one on the chuck.

The flange is mounted onto the spindle prior to the chuck.



■ Flange FF 3 - extended mounting

Used when the spindle nose is bigger than the standard one on the chuck.

The flange is mounted onto the spindle prior to the chuck.

The easy way to adapt your SMW-AUTOBLOK chuck to your machine spindle

Chuck \varnothing	Chuck models											Flange FF 1		Flange FF 2		Flange FF 3		
	AN-, AL-, FRC (1) AP-, NT-, FRS(1)	APL-, NTL-	IN-, IL-, IR-, PTF	2CL-, RAN	BH-, BP-, BB-,	GSA	BH-FC, TPT-	KNCS-, HFK-N	TSF-, TSR-, TX-, TE-	TSB-, TSB-CP	IEP-	Spindle nose	Flange Id. number	Spindle nose	Flange Id. number	Spindle nose	Flange Id. number	
125	●										A4	24141300	-	-	-	-	-	
130 / 135					●						A5	075421	-	-	-	-	-	
140 Z120					●			●			A5	24151400	A4	24141400	-	-	A6	24161410
140 Z130					●			●			A5	24151600	A4	24141600	-	-	A6	24161610
160 / 165	●			●	●		●				A5	24151700*	A4	24141700	-	-	A8	24181710
170 Z140	●							●			A6	24161720	A5	24151720	-	-	A8	24181720
170 Z160								●			A6	24161720	A5	24151720	-	-	A8	24181720
175					●						A6	24161720	A5	24151720	-	-	A8	24181720
200				●							A6	24162000	A5	24152000	-	-	A8	24182010
210 / 215	●				●		●	●	●		A6	24162500*	A5	24152000	-	-	A8	24182010
220 / 225					●			●		●	A6	24162500*	A5	24152000	-	-	A8	24182010
260 Z170								●			A8	24182500	A6	24162530	A5	24152500	A11	24112510
250	●			●	●		●	●	●	●	A8	24182510*	A6	24162530	A5	24152500	A11	24112510
260 Z220	●			●	●	●		●	●	●	A8	24182510*	A6	24162530	A5	24152500	A11	24112510
315 Z220	●			●	●	●		●	●	●	A11	24113500	A6	24163500				
320 Z280						●		●	●	●	A11	24113500	A6	24163500				
315 / 320					●		●	●	●	●	A11	24113100	A8	24183100	A6	24163100	A15	24123110
330 Z300								●		●	A11	24113110*	A8	24183100	A6	24163100	A15	24123110
400 Z300	●				●		●	●	●	●	A11	24113110*	A8	24183100	A6	24163100	A15	24123110
450 Z300	●				●		●	●	●	●	A11	24113110*	A8	24183100	A6	24163100	A15	24123110
500 Z300								●		●	A11	24113110*	A8	24183100	A6	24163100	A15	24123110
400 Z380								●		●	A15	24125000	A11	24115000	A8	24185000	A20	24175000
480 Z380						●		●		●	A15	24127100*	A11	24115000	A8	24185000	A20	24175000
500 Z380	●	●	●		●		●	●		●	A15	24127100*	A11	24115000	A8	24185000	A20	24175000
630 Z380	●	●	●		●		●	●		●	A15	24127100*	A11	24115000	A8	24185000	A20	24175000
800 Z380			●					●		●	A15	24127100*	A11	24115000	A8	24185000	A20	24175000
630 / 800	●	●	●		●		●	●		●	A15	24127100*	A11	24115000	A8	24185000	A20	24175000
1000 Z520		●	●					●		●	A20	24178000	A15	24126100	A11	24116100	-	-
1250 Z520			●					●		●	A20	24178000	A15	24126100	A11	24116100	-	-
1400 Z720			●					●		●	A20	24178000	A15	24126100	A11	24116100	-	-
1600 Z720			●					●		●	A20	24178000	A15	24126100	A11	24116100	-	-
1800 Z720			●					●		●	A20	24178000	A15	24126100	A11	24116100	-	-
2000 Z720			●					●		●	A20	24178000	A15	24126100	A11	24116100	-	-

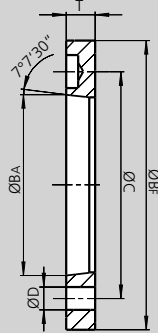
* Suggestion: This flange is thicker than the standard one, to be used only if necessary!

Note (1): For 285 FRC / FRS see 250 AN-, for 365 FRC/FRS see 400 AN-

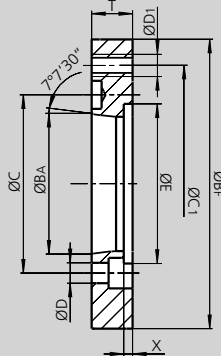
- Direct and indirect mounting
- Reduction and extension flanges

DIN 55026 / ISO-A 702/1

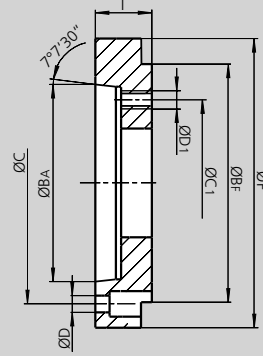
Type FF 1
ISO-A direct mounting



Type FF 2
ISO-A reduced mounting



Type FF 3
ISO-A extended mounting



Subject to technical changes

Flange type FF 1

Flange Id. No.	Spindle nose	BF mm	BA mm	C mm	D mm	T mm	Weight kg
24141300	A4	115	63.513	82.6	11.5	13	0.6
075421	A5	120	82.563	104.8	10.5	16	0.7
24151400	A5	130	82.563	104.8	11.5	15	0.75
24151600	A5	140	82.563	104.8	11.5	15	1
24151700*	A5	140	82.563	104.8	11.5	24	1.5
24161720	A6	160	106.375	133.4	13.5	17	1.2
24162000	A6	170	106.375	133.4	13.5	17	1.5
24162500*	A6	170	106.375	133.4	13.5	24	2.2
24182500	A8	220	139.719	171.4	17	19	2.7
24182510*	A8	220	139.719	171.4	17	27	4
24183050	A8	280	139.719	171.4	17	19	6.5
24113100	A11	300	196.869	235	21	21	5.5
24113110*	A11	300	196.869	235	21	30	8
24113500	A11	280	196.869	235	21	21	4
24125000	A15	380	285.775	330.2	25	23	8
24127100*	A15	380	285.775	330.2	25	33	11.5
24178000	A20	520	412.775	463.6	27	25	14.5

* Suggestion: This flange is thicker than the standard one, to be used only if necessary!

Flange type FF 2

Flange Id. No.	Spindle nose	BF mm	BA mm	C mm	D mm	C1 mm	D1 mm	E mm	X mm	T mm	Weight kg
24141400	A4	130	63.513	82.6	11.5	104.8	M10	-	-	20	1.2
24141600	A4	140	63.513	82.6	11.5	104.8	M10	-	-	20	1.6
24151720	A5	160	82.563	104.8	11.5	133.4	M12	-	-	24	2.2
24152000	A5	170	82.563	104.8	11.5	133.4	M12	-	-	24	2.7
24152500	A5	220	82.563	104.8	11.5	171.4	M16	-	-	24	5.5
24162530	A6	220	106.375	133.4	13.5	171.4	M16	-	-	24	5
24163100	A6	300	106.375	133.4	13.5	235	M20	155	10	30	11
24163500	A6	280	106.375	133.4	13.5	235	M20	-	-	30	9
24183100	A8	300	139.719	171.4	17	235	M20	-	-	30	11.5
24184000*	A8	300	139.719	171.4	17	235	M20	155	10	40	15.5
24185000	A8	380	139.719	171.4	17	330.2	M24	197	10	40	24
24115000	A11	380	196.869	235	21	330.2	M24	197	10	40	21
24116100	A11	520	196.869	235	21	463.6	M24	267	12	45	54
24126100	A15	520	285.775	330.2	25	463.6	M24	-	-	40	40
24179400	A20	720	412.775	463.6	27	647.6	M30	-	-	50	93

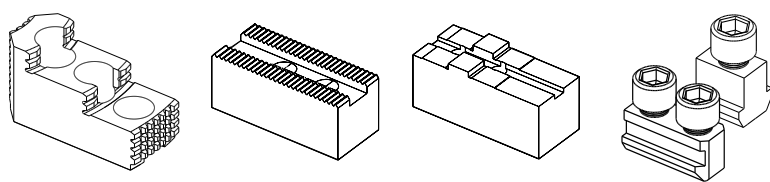
* Suggestion: This flange is thicker than the standard one, to be used only if necessary!

Flange type FF 3

Flange Id. No.	Spindle nose	BF mm	BA mm	C mm	D mm	C1 mm	D1 mm	F mm	T mm	Weight kg
24151310	A5	115	82.563	104.8	11.5	82.6	M10	127	30	1.7
24161310	A6	115	106.375	133.4	13.5	82.6	M10	165	35	3.5
24161410	A6	130	106.375	133.4	13.5	104.8	M10	165	35	3.4
24161610	A6	140	106.375	133.4	13.5	104.8	M10	165	35	3.3
24181710	A8	140	139.719	171.4	17	104.8	M10	210	35	5.2
24181720	A8	160	139.719	171.4	17	133.4	M12	210	40	5.8
24182010	A8	170	139.719	171.4	17	133.4	M12	210	40	6.2
24112510	A11	220	196.869	235	21	171.4	M16	280	45	11.8
24123110	A15	300	285.775	330.2	25	235	M20	380	50	22
24175000	A20	380	412.777	463.6	27	330.2	M24	520	58	55

Hard top jaws, soft top jaws, T-nuts

- Inch serrated
- Metric serrated
- Tongue & groove

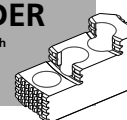


JAWS-CATALOG
Request or download:
www.smw-autoblok.de



JAW FINDER

free application to search for jaws very quick and easy
www.smw-autoblok.de



The easy way to mount the right top jaws on your SMW-AUTOBLOK chuck

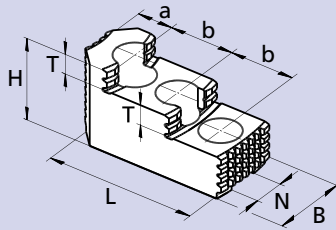
	Chuck series													Hard top jaws		Soft top jaws	T-nuts			
	Chuck Ø	AN-, AL-	AP-, NT-	APL-, NTL-	IEP-*	IN-, IL-	CL-	BH-	BH-FC	BB-	BP-	RAN	PB-, PBL-, HB-	HYN-, HYL-	Set of 3 hard top jaws Id. No. / Set	Set of 4 hard top jaws Id. No. / Set	Soft top jaws Id. No. / piece	T-nut type	T-nuts Id. No. / piece (see page 464)	
INCH SERRATION "D"	125	●													12081306	12081308	12071300	3	12061200	
	130							●						●	12081306	12081308	12071300	2	12061300	
	140									●										
	165 / 170	●	●					●	●					●	12081636	12081638	12071680	3	73061650	
	175 / 180									●				●	-	-	12072500	1	12062500	
	200						●													
	210 / 215	●	●					●	●	●				●	12082036	12082038	12072130	3	73062150	
	220 / 226										●			●						
	260		●	●							●				12082626	-	12072620	3	18062632	
	250	●						●	●	●				●	12083036	12083038	12072500	3	73063050	
	250							●												
	315						●											90072500	1	12065020
	315-320	●	●	●				●	●	●	●			●	12083036	12083038	12073000	3	73063050	
	400				●										12083036	-	12073000	3	73063050	
	400 / 450	●						●	●					●	12084546	12084548	12074040	1	12065020	
	400		●	●											12084546	-	12074040	3	73065030	
	500			●											12084546	-	12075050	3	73065030	
	500							●	●						12084546	-	12075050	1	12065020	
	500-550													●	12084546	12084548	12075050	1	12065082	
	630													●						
500														12086346	12086348	12075040	1	12065002		
630														12084546	-	12075050	3	73065030		
500				●										12084546	-	12075050	3	73065030		
630-800			●	●										12084546	-	12075050	3	73065030		
630									●					12084546	-	12075050	3	12065020		
630														12086346	12086348	12075140	1	12065020		
800								●						12086346	12086348	12075140	1	12065020		
800					●									12086346	12086348	12075040	1	12065002		
1000			●										●	12084546	-	12075050	3	73065030		
METRIC SERRATION "M"	125	●												12081307	12081309	12071301	3	12061200		
	130							●						12081307	12081309	12071301	2	12061300		
	140									●										
	165 / 170	●	●					●	●					●	12081627	12081629	12071621	4	73061602	
	175									●										
	210 / 215 / 220	●	●					●		●	●			●	12082127	12082129	12072121	4	73062101	
	250	●						●		●				●	12082627	12082629	12072621	4	73062501	
	260		●	●							●				12082627	12082629	12072621	4	18062633	
	315 / 320	●	●	●				●			●			●	12083037	12083039	12073001	3	73063050	
	400		●	●							●				12084527	-	12074021	2	12064520	
400 / 450	●						●							12084527	12084529	12074021	1	12064020		
TONGUE & GROOVE "C"	80						●							-	-	90040800	-	-		
	100						●							-	-	90041000	-	-		
	125						●							-	-	90041300	-	-		
	160						●							-	-	90041600	-	-		
	160 / 220														-	-	12041660	-	-	
	165 / 170	●	●												-	-	12041660	-	-	
	200														-	-	12042060	-	-	
	210 / 215	●	●												-	-	12042060	-	-	
	250 / 260	●	●	●											-	-	12042560	-	-	
	260										●				-	-	12042060	-	-	
	320										●				-	-	12042560	-	-	
	315 / 400	●	●	●	●										-	-	12043060	-	-	
	400 / 500	●	●	●											-	-	12044050	-	-	
	500				●	●									-	-	12044050	-	-	
	630				●	●									-	-	12045050	-	-	
630-800			●											-	-	12044050	-	-		
800				●	●									-	-	12045050	-	-		
1000			●											-	-	12044050	-	-		

* for IEP use 2 set of 3 hard jaws.

Hard top jaws, soft top jaws

- Inch serrated
- Metric serrated
- Tongue & groove

MHB-D



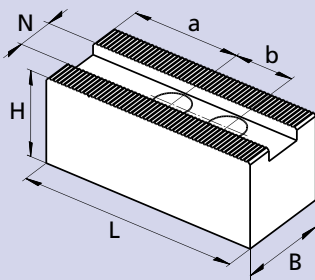
INCH SERRATED hard top jaws "D" MHB-D

- If high concentricity is required jaws have to be ground on the chuck at clamping pressure

Id. No.*	Serration inch	B mm	H mm	L mm	N mm	T mm	a mm	b mm	Weight kg / jaw
12081306	1/16" x 90°	30	34	58	12	8.5	13	16	0.2
12081636	1/16" x 90°	34	39	65	14	10	18	16.5	0.3
12082036	1/16" x 90°	40	45	82	17	10.5	19	23	0.57
12082626	1/16" x 90°	45	56	100	17	15.5	23	30	0.85
12083036	1/16" x 90°	45	56	105	21	13.5	26	30	0.95
12084506	1/16" x 90°	60	75	140	21	19	38	38	2.6
12084546	3/32" x 90°	60	75	140	25.5	19	38	38	2.5
12086346	3/32" x 90°	74	74	145	25.5	32	46	38	3

* The Id. No. refers to a set of 3 jaws; for the set of 4 jaws the final number is not 6 but 8.

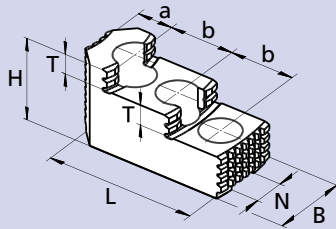
WBSA-D



INCH SERRATED soft blank top jaws "D" WBSA-D

Id. No.	Serration inch	B mm	H mm	L mm	N mm	a mm	b mm	Weight kg / jaw
12071300	1/16" x 90°	30	30	60	12	29	16	0.3
12071680	1/16" x 90°	30	35	70	14	38	16.5	0.42
12072130	1/16" x 90°	35	40	90	17	47	23	0.85
12072620	1/16" x 90°	45	45	110	17	60	30	1.23
12072500	1/16" x 90°	45	45	110	21	60	30	1.25
90072500	1/16" x 90°	60	60	120	25.5	64	34	2.6
12073000	1/16" x 90°	50	50	125	21	73	30	1.85
12074030	1/16" x 90°	60	60	140	21	81	34	3.2
12074040	3/32" x 90°	60	60	140	25.5	75	38	3.2
12075050	3/32" x 90°	60	60	170	25.5	105	38	3.6
12075040	3/32" x 90°	75	75	160	25.5	97	38	5.5
12075140	3/32" x 90°	60	60	205	25.5	104	38	4.5

MHB-M



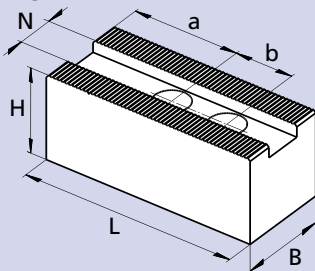
METRIC SERRATED hard top jaws "M" MHB-M

- If high concentricity is required jaws have to be ground on the chuck at clamping pressure

Id. No.	Serration mm	B mm	H mm	L mm	N mm	T mm	a mm	b mm	Weight kg / jaw
12081307	1.5 x 60°	30	34	58	12	8.5	13	16	0.2
12081627	1.5 x 60°	34	39	67	12	10	14	20	0.31
12082127	1.5 x 60°	40	45	86	14	10.5	19	25	0.60
12082627	1.5 x 60°	45	56	100	16	15.5	23	30	0.85
12083037	1.5 x 60°	45	56	105	21	13.5	26	30	0.95
12084527	1.5 x 60°	60	75	140	22	19	38	38	2.5

* The Id. No. refers to a set of 3 jaws; for the set of 4 jaws the final number is not 7 but 9.

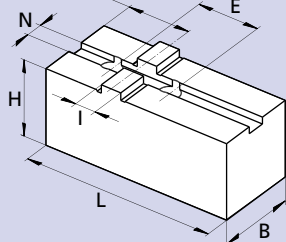
WBSA-M



METRIC SERRATED soft blank top jaws "M" WBSA-M

Id. No.	Serration mm	B mm	H mm	L mm	N mm	a mm	b mm	Weight kg / jaw
12071301	1.5 x 60°	30	30	60	12	29	16	0.3
12071621	1.5 x 60°	30	35	70	12	34	20	0.42
12072121	1.5 x 60°	35	40	90	14	47	25	0.85
12072621	1.5 x 60°	45	45	110	16	60	30	1.3
12073001	1.5 x 60°	50	50	125	21	73	30	1.85
12074021	1.5 x 60°	60	60	140	22	75	38	3.2
12074031	1.5 x 60°	60	60	140	21	81	34	3.2
12074041	1.5 x 60°	60	60	140	25.5	75	38	3.2

WAKA



TONGUE & GROOVE soft blank top jaws "C" WAKA

- American Standard Tongue & groove

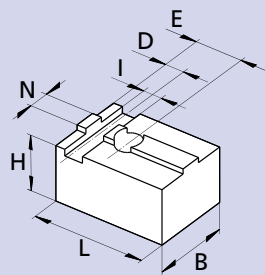
Id. No.	B mm	H mm	L mm	N mm	D mm	E mm	I mm	Weight kg / jaw
12041660*	30	32	80	7.94	30	38.1	12.68	0.58
12042060*	35	37	100	7.94	35	44.4	12.68	0.92
12042560*	45	42	120	12.70	42	54	19.03	1.25
12043060*	50	47	140	12.70	50	63.5	19.03	2.15
12044050	60	55	165	12.70	60	76.2	19.03	3.6
12045050	75	70	165	12.70	60	76.2	19.03	5.5

* Jaws pointed.

Soft top jaws, T-nuts

■ Tongue & groove

WBK

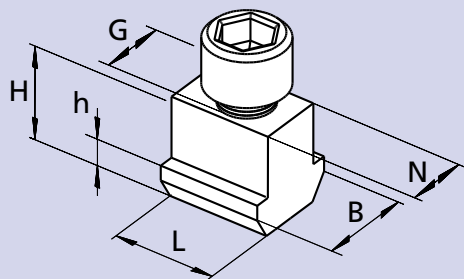


TONGUE & GROOVE soft blank top jaws "C" WBK

- DIN standard TONGUE & GROOVE
- For CL-C chucks

Id. No.	B mm	H mm	L mm	N mm	D mm	E mm	I mm	Weight kg / jaw
90040800	30	28	38	8	8	14	8	0.18
90041000	30	28	48	8	8	20	8	0.23
90041300	35	32	57	14	27	27	16	0.40
90041600	40	37	75	18	34	34	18	0.72

NST



Single T-nut NST

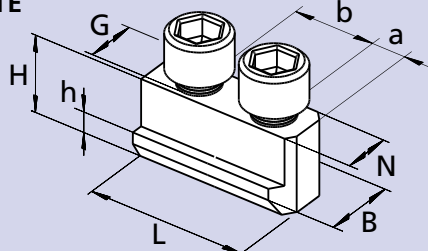
- Type 1 (see table at general catalog page 462)

Id. No.	B mm	H mm	L mm	N mm	G mm	h mm
12063000	29	25	24	21	M16	11
12064020	35	34.5	30	22*	M20	15
12065020	35	34	30	25.5	M20	15
12065082	36	34	30	25.5**	M20	15
12065002	40	40	32	25.5**	M20	15.5

* 22 mm guide in the top jaw and 25.5 mm guide in the master jaw.

** 25.5 mm guide in the top jaw and 28 mm guide in the master jaw.

NSTE

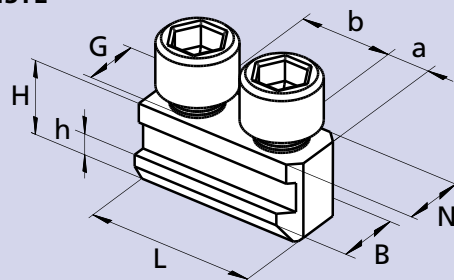


Double T-nut NSTE

- Type 2 (see table at general catalog page 462)

Id. No.	B mm	H mm	L mm	N mm	G mm	a mm	b mm	h mm
12061300	17	15	30	12	M8	7	16	6.5
73064030	31	33	60	21	M16	13	34	14.5
12064520	31	33	70	22	M20	16	38	14.5

NSTE

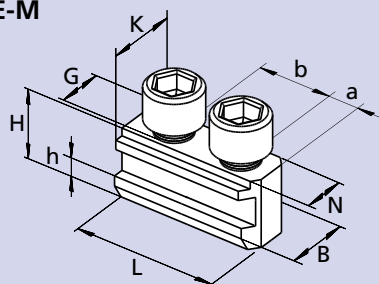


Double T-nut NSTE

- Type 3 (see table at general catalog page 462)

Id. No.	B mm	H mm	L mm	N mm	G mm	a mm	b mm	h mm
12061200	15	15	32	12	M8	6.5	16	6.5
73061650	17	18.5	32	14	M10	8	16.5	6.5
73062150	19	20.5	43	17	M12	10	23	7.5
18062632	19	20.5	50	17	M12	10	30	7.5
73063050	25	26.5	56	21	M16	13	30	10
73065030	31	33	70	25.5	M20	16	38	14.5

NSTE-M



Double T-nut NSTE-M

- Type 4 (see table at general catalog page 462)
- For metric serrated master jaws for use with existing Kitagawa top jaws

Id. No.	B mm	H mm	L mm	N mm	K mm	G mm	a mm	b mm	h mm
73061602	17	18.5	36	12	14	M10	8	20	6.5
73062101	19	20.5	45	14	17	M12	10	25	7.5
18062633	19	20.5	50	16	17	M12	10	30	7.5
73062501	25	26.5	56	16	21	M12	13	30	10

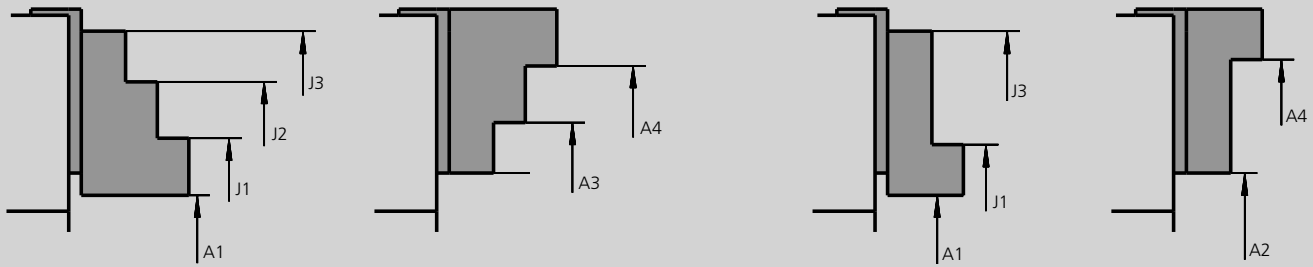


Clamping ranges for chucks with standard stepped hard top jaws

■ Standard chucks Ø 125 - 800 mm

2 step top jaws

1 step top jaws*



Chuck diameter	Chuck type	Top jaws Id. No.		A1 mm	A2 mm	A3 mm	A4 mm	J1 mm	J2 mm	J3 mm
		Serr. "D"	Serr. "M"							
125	AN-, AL-	12081306	12081307	10-54	-	54-92	90-120	56-100	90-135	125-170
165-170	AN-, AL-, AP-, NT-	12081636	12081627	14-80	-	62-125	110-155	65-125	115-175	145-210
210-215	AN-, AL-, AP-, NT-	12082036	12082127	20-100	-	72-150	150-200	75-150	145-230	190-265
250	AN-, AL-	12083036	12082627	20-115	-	105-205	190-235	80-165	155-250	230-325
260	AP-, NT-	12082626	12082627	20-130	-	105-215	180-245	80-180	155-260	220-330
315	AN-, AL-, AP-, NT-	12083036	12083037	30-170	-	120-265	205-300	95-225	165-310	240-380
400	AN-, AL-	12084546	12084527	52-205	-	180-330	280-370	140-285	240-385	330-480
400	AP-, NT-	12084546	12084527	35-200	-	165-325	260-370	125-280	220-380	315-480
500	IN-D, IL-D	12086346*	-	80-320	125-365	-	320-475	180-420	-	370-610
630	IN-D, IL-D	12086346*	-	80-440	125-485	-	320-600	180-540	-	370-730
800	IN-D, IL-D	12086346*	-	80-610	125-655	-	320-760	180-710	-	370-900
500	APLD	12084546	-	60-310	-	185-440	285-470	145-390	245-490	340-590
630	APLD	12084546	-	60-440	-	185-570	285-600	145-520	245-620	340-720
800	APLD	12084546	-	60-610	-	185-740	285-760	145-690	245-790	340-890
500	IEPD	12084546	-	85-320	-	210-450	310-480	170-400	270-500	370-600
630	IEPD	12084546	-	85-440	-	210-570	310-600	170-520	270-620	370-720
800	IEPD	12084546	-	85-610	-	210-740	310-760	170-690	270-790	370-890
130	BH-, BH-	12081306	12081307	10-58	-	55-97	90-120	58-105	90-140	125-175
140	BB-, BB-	12081306	12081307	16-65	-	55-105	90-130	65-110	98-148	132-182
165	BH-, BH-FC, RC-	12081636	12081627	12-80	-	62-125	110-155	62-125	105-170	145-210
175	BB-D, BB-M	12081636	12081627	25-92	-	74-138	120-165	74-138	118-185	155-220
180	HYND-S	12081636	12081627	27-95	-	77-140	125-170	77-140	120-185	160-225
210	BH-, BH-FC, RC-, HYND-S	12082036	12082127	14-100	-	65-150	140-200	65-150	135-230	180-265
210	BB-D, BB-M	12082036	12082127	25-100	-	80-150	155-200	80-150	150-230	195-265
226	HYND-S	12082036	12082127	24-110	-	75-160	150-215	75-160	145-240	190-275
250	BH-D, BHD-FC, RC-, HYND-S	12083036	12083037	20-115	-	105-205	190-235	80-165	155-250	230-325
250	BH-M, BHM-FC	12082626	12082627	20-115	-	105-205	190-235	80-165	155-250	230-325
250	BB-D, BB-M	12083036	12083037	25-115	-	115-205	200-235	85-165	165-250	240-325
305	RC-D, RC-M	12083036	12083037	25-160	-	120-250	205-290	85-215	165-300	240-370
315	BH-, BH-FC, HYND-S	12083036	12083037	40-170	-	135-265	220-300	100-225	180-310	250-380
315	BB-D, BB-M	12083036	12083037	75-170	-	165-265	250-300	130-225	210-310	320-415
400	RC-	12084006	12084007	90-250	-	195-355	285-380	155-315	240-400	330-490
400	BH-, BH-FC, HYND-S	12084546	12084527	52-205	-	180-330	280-370	140-285	240-385	330-480
450	BH	12084546	12084527	52-265	-	180-390	280-430	140-345	240-445	330-540
500	BH	12084546	-	115-325	-	240-450	340-480	200-410	300-510	395-610
500	BH-FC	12084546	-	90-320	-	220-445	320-480	175-400	275-500	370-600
500	HYDL-S	12084546	-	150-320	-	275-445	375-480	230-400	330-500	430-600
550	HYDL-S	12084546	-	200-370	-	330-500	430-535	285-455	385-555	485-655
630	BH	12086346	-	195-420	240-465	-	440-600	295-520	-	490-715
630	BH-FC	12084546	-	135-440	-	260-565	360-600	220-520	315-620	415-720
630	HYDL-S	12084546	-	230-450	-	360-575	460-600	315-530	415-630	515-730
800	BH	12086346	-	195-590	240-635	-	440-760	295-690	-	490-880
800	HYDL-S	12086346	-	245-595	295-640	-	490-760	345-695	-	540-890

* Note: AN means AN-D, AN-M; AL means AL-D, AL-M; AP means AP-D, AP-M; NT means NT-D, NT-M; BH means BH-D, BH-M; BH-FC means BH-D-FC, BH-M-FC; RC means RC-D, RC-M.

JAWS-CATALOG
Request or
download:
www.smw-autoblok.de

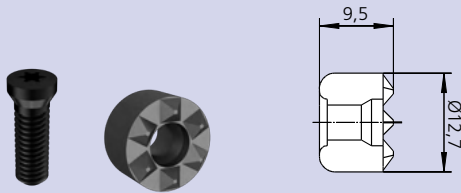




UGE 30

Id. No. 089822, solid carbide

Gripper for prism jaws and fixtures:

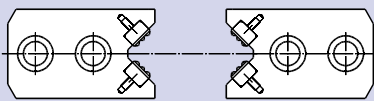


- For external and internal gripping of rectangular parts.
- For chuck jaws, fixture jaws and fixtures.
- Front mounting of bolt.
- Gripper seat: drilling and tapping can easily be done. Bottom of seat can be either 120° (standard drill tool) or flat.
- For high production hardening of gripper pocket is recommended.
- Torx screw driver Id. No. 085961

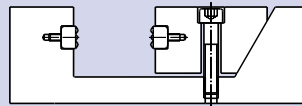
Parts included: Gripper with Torx screw

Mounting instruction:

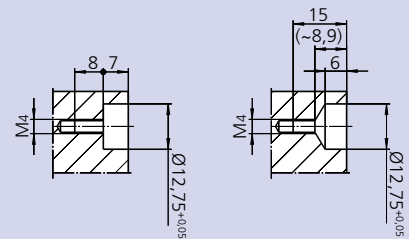
1. Drilling 12.7 Ø bottom of seat 120° or flat
2. Tapping of thread



prism jaws



vise



optional

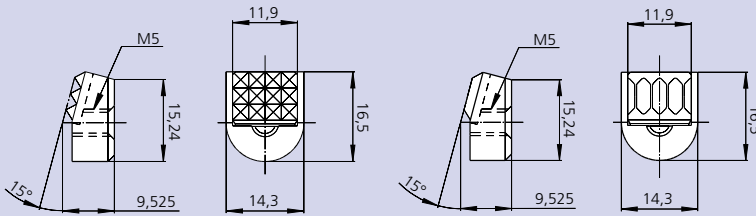
FGH 33

Id. No. 71400133
Carbide Tipped
with 12 points

FGH 34

Id. No. 71400134
Carbide Tipped
with 4 blades

Inclined grippers with pull-down effect:

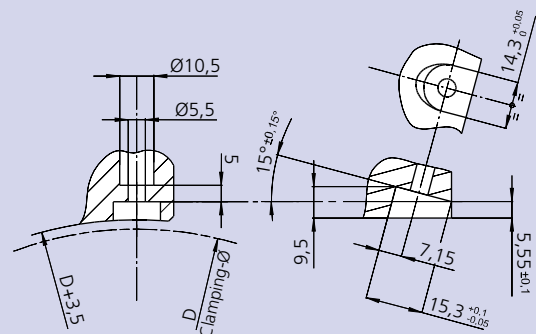


- For external clamping.
- Very short and forward-positioned clamping area.
- Rear mounting of bolts.
- Inclined gripper seat are easy to be machined.
- For high production hardening of gripper seat is recommended.

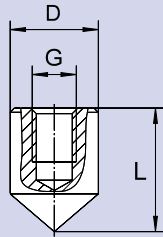
Parts included: Gripper without screw

Mounting instruction for FGH grippers:

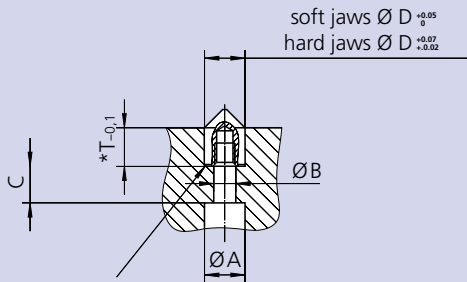
1. With 15° inclined top-jaw, mill the Ø 14.3 gripper seat
2. Drill Ø 5.5 as shown on the drawing.
3. Drill Ø 10.5 for the screw's head.



MGH Hardened steel



Parts included: Hardened tip without screw



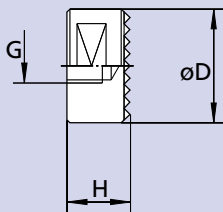
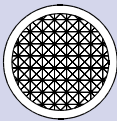
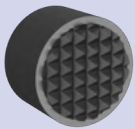
*equal per set within 0.1 mm-

Clamping tips for jaws

- For external and internal gripping.
- Increasing gripping allows for heavier cuts.
- Rear mounting of bolts.
- Point seat can easily be machined: drilling only.

Type	MGH 6	MGH 8	MGH 10	MGH 12
Id. No.	081851	087805	081852	081853
D mm	6	8	10	12
L mm	10	12	14	16
G mm	M3	M4	M5	M6
A mm	6	8	10	11
B mm	3.4	4.5	5.5	6.6
C mm	9	9	9	11
T mm	7.5	8.5	9.5	10.5
R mm	0.3	0.5	0.5	0.5
Torx Screw ISO 4762	M3 x 14	M4 x 14	M5 x 14	M6 x 16

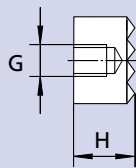
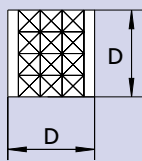
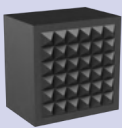
HDS-R Carbide soldered



Grippers for jaws, fixtures

- For O.D. gripping.
- Increase of the transmittable torque on raw or machined work pieces.
- Rear mounting threads or side gages for locking.
- The pocket can easily be machined.

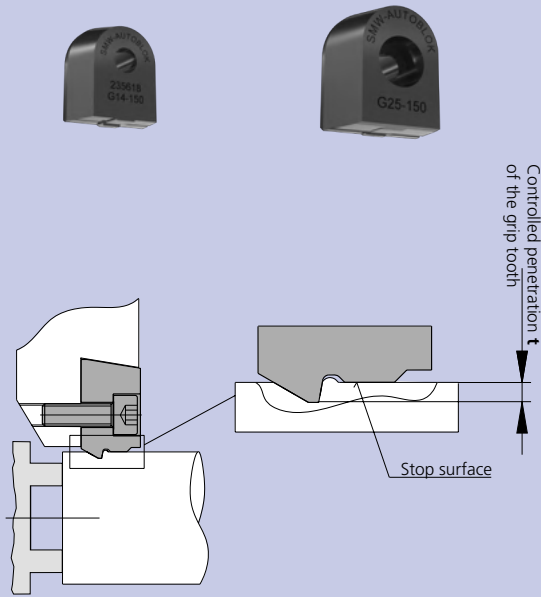
HDS-Q Carbide soldered



Type	Id. No.	D	H	G	max. load force $F^{(1)}$ (daN)	rec. mounting	
						bore- $\varnothing + 0.05$	bore depth
HDS-R 10	081846	10	10	M5	800	10	9.0
HDS-R 11	081847	12.7	9.5	M5	1100	12.7	8.5
HDS-R 12	081848	12.7	12.7	M6	1100	12.7	11.5
HDS-R 13	081849	15.8	9.5	M6	2000	15.8	8.5
HDS-R 14	081850	19	9.5	M6	3000	19	8.5
HDS-Q 15	033058	12.7	9.5	M6	2000	-	-

■ With pull down effect

G14 + G25



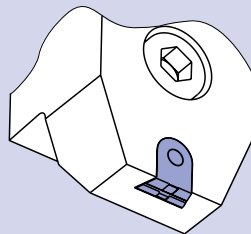
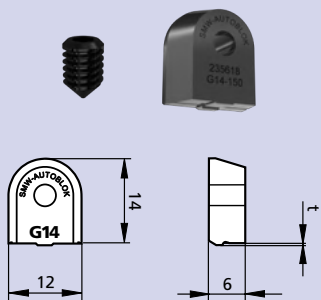
G-gripper characteristics

- Type G grippers have a stop surface for a **controlled penetration** of the grip tooth.
- **The workpiece is clamped concentric on the stop surface**, so that the clamping dia. and the machining dia. are concentric.
- The **high precision** of the gripper guarantees concentricity even after replacing worn out grippers.
- Highest torque transmission is guaranteed with the **combination of friction and positive drive**.
- The geometry of the gripper creates a **pull down effect** on the workpiece.
- **TIN coated high speed steel** for long life.
- You can **select the corresponding gripper** for all applications according to the grind stock allowance.
- Gripper with **controlled penetration** 0.07 - 0.30 mm are standard.
- **Special grippers are available** on request.

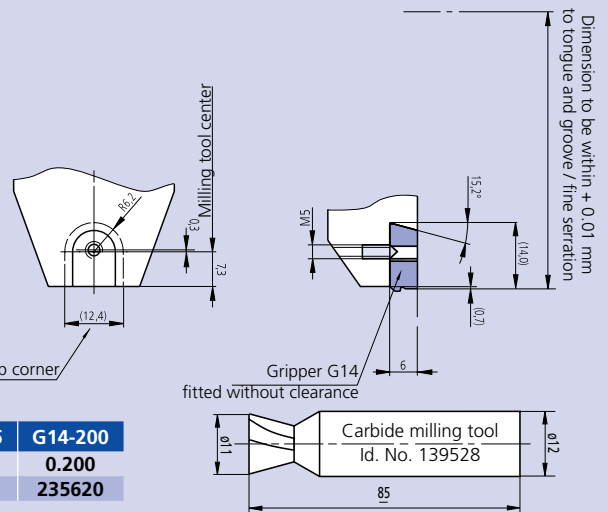
G14

(Light duty version)
Material: HSS

Mounting dimension



Measured into sharp corner

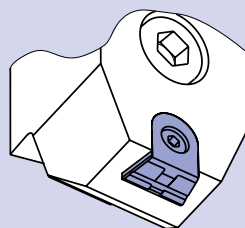
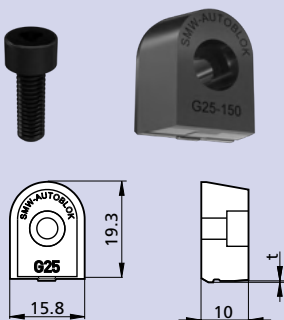


SMW-AUTOBLOK Type	G14-070	G14-100	G14-125	G14-150	G14-175	G14-200
Controlled penetration t	0.070	0.100	0.125	0.150	0.175	0.200
Id. No.	235615	235616	235617	235618	235619	235620

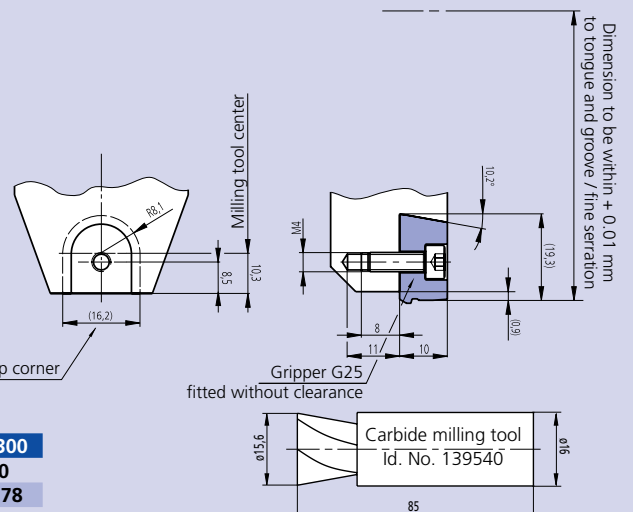
G25

(Heavy duty version)
Material: HSS

Mounting dimension



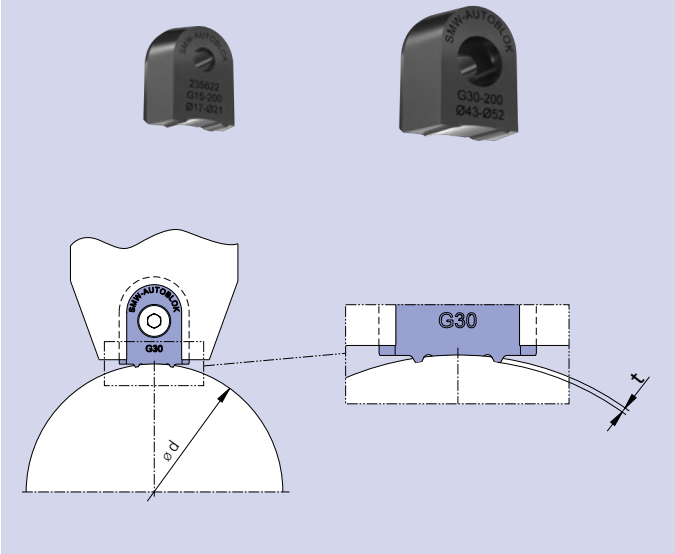
Measured into sharp corner



SMW-AUTOBLOK Type	G25-100	G25-150	G25-200	G25-250	G25-300
Controlled penetration t	0.10	0.15	0.20	0.25	0.30
Id. No.	232704	231275	231276	231277	231278

■ For highest torque transmission

G15 + G30

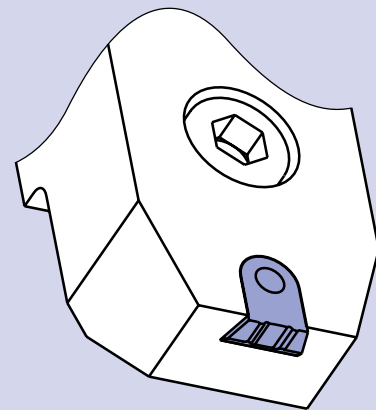
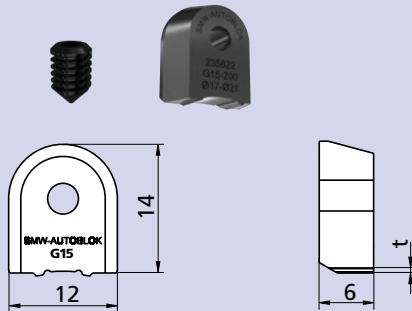


G-gripper characteristics

- Type G grippers have a stop surface for a **controlled penetration** of the grip tooth.
- **The workpiece is clamped concentric on the stop surface**, so that the clamping dia. and the machining dia. are concentric.
- The **high precision** of the gripper guarantees concentricity even after replacing worn out grippers.
- Highest torque transmission is guaranteed with the **combination of friction and positive drive**.
- **TIN coated high speed steel** for long life.
- You can **select the corresponding gripper** for all applications according to the grind stock allowance.
- Gripper with **controlled penetration 0.15 - 0.30 mm** are standard.
- **Special grippers are available** on request.

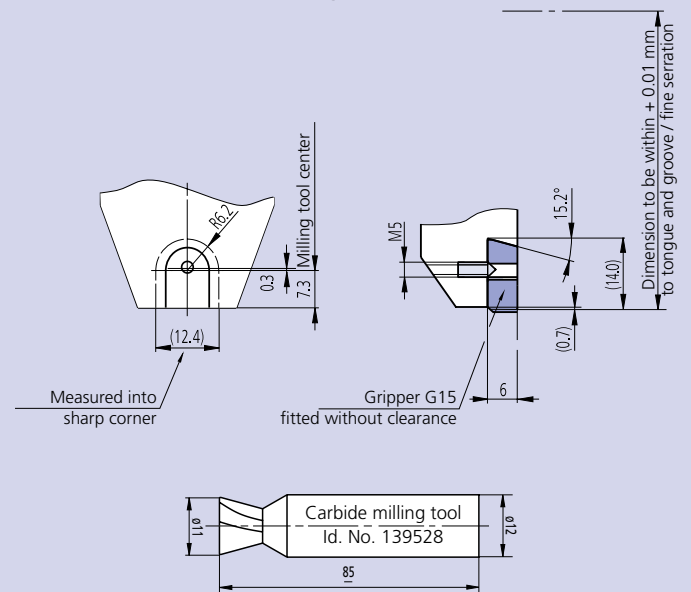
G15

(Light duty version)
Material: HSS



Mounting dimension

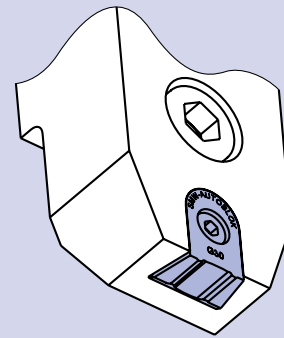
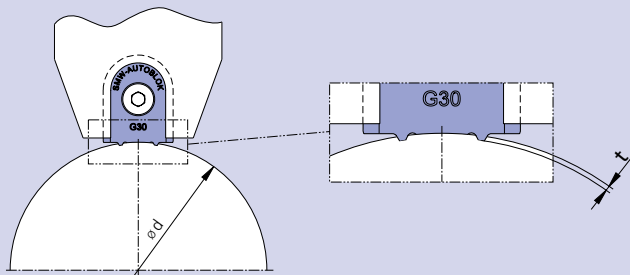
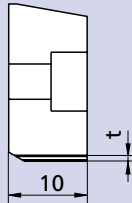
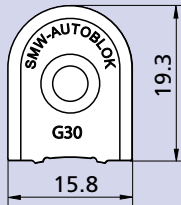
SMW-AUTOBLOK Type	G15-150	G15-200	G15-250
Work piece-Ø		17-21	
Controlled penetration t	0.15	0.20	0.25
Id. No.	235621	235622	235623
Work piece-Ø		22-27	
Controlled penetration t	0.15	0.20	0.25
Id. No.	237762	237763	237764
Work piece-Ø		28-34	
Controlled penetration t	0.15	0.20	0.25
Id. No.	235624	235625	235626
Work piece-Ø		35-42	
Controlled penetration t	0.15	0.20	0.25
Id. No.	237765	237766	237767
Work piece-Ø		43-53	
Controlled penetration t	0.15	0.20	0.25
Id. No.	235627	235628	235629
Work piece-Ø		54-78	
Controlled penetration t	0.15	0.20	0.25
Id. No.	237400	237401	237402
Work piece-Ø		79-175	
Controlled penetration t	0.15	0.20	0.25
Id. No.	237409	237410	237411



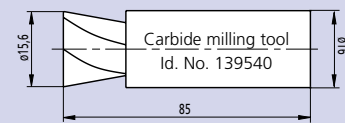
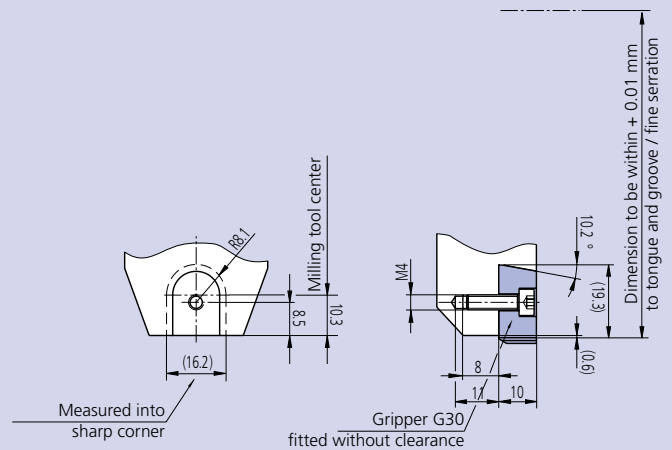
■ For highest torque transmission

G30

(Heavy duty version)
Material: HSS



Mounting dimension



SMW-AUTOBLOK Type	G30-200	G30-250	G30-300
Work piece-Ø		24-32	
Controlled penetration t	0.20	0.25	0.30
Id. No.	237841	237842	237843
Work piece-Ø		33-42	
Controlled penetration t	0.20	0.25	0.30
Id. No.	233481	233482	233483
Work piece-Ø		43-52	
Controlled penetration t	0.20	0.25	0.30
Id. No.	233421	233422	233423
Work piece-Ø		53-64	
Controlled penetration t	0.20	0.25	0.30
Id. No.	233485	233486	233487
Work piece-Ø		65-84	
Controlled penetration t	0.20	0.25	0.30
Id. No.	234811	234812	234813
Work piece-Ø		85-119	
Controlled penetration t	0.20	0.25	0.30
Id. No.	237291	237292	237293
Work piece-Ø		120-174	
Controlled penetration t	0.20	0.25	0.30
Id. No.	237299	237300	237301
Work piece-Ø		175-335	
Controlled penetration t	0.20	0.25	0.30
Id. No.	237422	237423	237424

Jaw boring set ROTORI

With the ROTORI boring set, clamping jaws can be turned out with high precision under clamping pressure and hard clamping jaws can be ground out.

The set consists of several rings in different dimensions. The desired clamping diameter can be set continuously via the curve segments. Further readjustment of the clamping point is possible.

Your advantages

- **High flexibility**
 - Internal- and external clamping with 1 ring
 - Infinitely adjustable clamping range
 - Suitable for chuck sizes 80 - 1.600 mm, for 2-, 3-, 4-, and 6-jaw manual- and power chucks
 - Optimal accessibility of the turning tool
- **High precise**
 - 0.1 mm accurate infeed of the clamping diameter
- **Increased profitability**
 - Low set-up costs thanks to Rotofix clamping bolts
 - Fast and flexible handling
 - High cost savings on clamping jaws



Type	Id. No.	Ring (piece)	RotoFix Clamping bolts	Chuck Type	Chuck Size
RotoRi Premium LX	5311480	29	M10/M12/M16	3-Jaw Chuck	80-315
RotoRi Premium XL	5311481	10	M16/M20	3-Jaw Chuck	315-630
RotoRi Premium XXL	5311482	13	M16/M20	3-Jaw Chuck	500-1200
RotoRi Premium Master XL	5311483	25	M8/M10/M12/M16	2,3,4 und 6-Jaw Chuck	160-500
RotoRi Premium Six L	5311484	29	M8/M10/M12	6-Jaw Chuck	80-250
RotoRi Premium Six XL	5311485	25	M10/M12/M16	6-Jaw Chuck	200-500
RotoRi Premium Six XXL	5311486	13	M16/M20	6-Jaw Chuck	500-1200
RotoRi Premium Quattro L	5311487	29	M8/M10/M12	4-Jaw Chuck	80-250
RotoRi Premium Quattro XL	5311488	15	M10/M12/M16	4-BJaw Chuck	200-500
RotoRi Premium Quattro XXL	5311489	13	M16/M20	4-Jaw Chuck	500-1200

Clamping bolt ROTORI

Type	Id. No.	Size
RotoriFix Clamping bolt M08	5311490	M08
RotoriFix Clamping bolt M10	5311491	M10
RotoriFix Clamping bolt M12	5311492	M12
RotoriFix Clamping bolt M16	5311493	M16
RotoriFix Clamping bolt M20	5311494	M20

■ To bore jaws on the clamping chuck

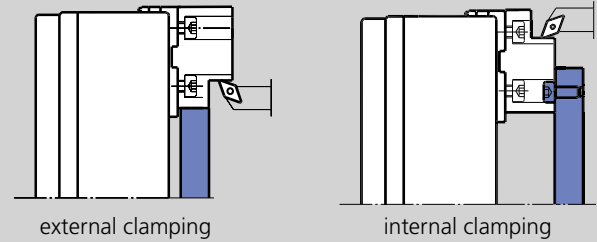
ADS, Id. No. 082689

Parts included:

- Packing box
- Boring rings 36 pieces
- Loading tool



Applications



The advantages of the SMW-AUTOBLOK boring rings for jaws:

- Complete set to bore all dia. from 20 to 150 mm.
- Set consisting of 36 rings Ø 20 - 50 mm each stepped 2 mm. From Ø 50 - 150 mm stepped in 5 mm increments.
- Clearly organized in packing box.
- Rings from Ø 105 mm and up have 3 tapped holes for clamping bolts to machine jaws for internal gripping.
- Rigid design. Rings are 10 mm thick, quenched for greater durability.
- Loading tool is used for the safe insertion of the rings without danger of injuries.

Recommendations:

For highest repeatability and accuracy please follow these instructions:

- Always tighten mounting bolts of the top jaws with a torque wrench.
- Always position boring rings as close as possible to the clamping area.
- Always bore top jaws at machining pressure.

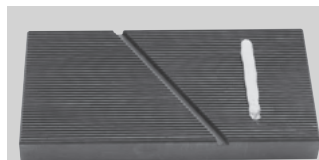
- With 2 different fine serrations to clean and dress top jaws
- With fine serration inch / metric

Dress and cleaning plate RPS

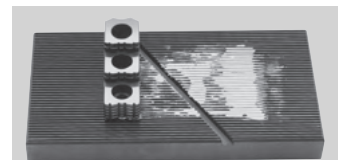


- Dress and cleaning plate, hardened, precision ground serrations.
- 2 different serrations, on the upper and lower side of the plate. Just turn it!
- Rapid cleaning of the top jaws serration. Swarf and dirt is accumulated in the diagonal groove.
- Dressing of light damage on the serration by using the grinding compound.

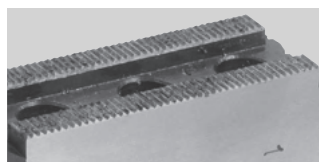
Dressing and cleaning of serration



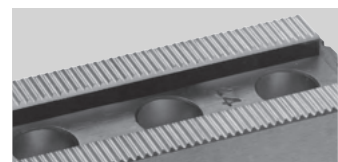
Apply grinding compound (corn 320) near the outer edge.



Put the jaw on the grinding compound and move it back and forth, with a light pressure.



Dirty / damaged serration



Serration after dressing and cleaning

SMW-AUTOBLOK Type	Id. No.	Serration		kg
		upper side	lower side	
RPS-D	081912	1/16" x 90°	3/32" x 90°	7.8
RPS-M	081914	1.5 x 60°	3 x 60°	7.8
RPS-MD	081913	1.5 x 60°	1/16" x 90°	7.8

Parts included:

- Dress and cleaning plate
- 1 tube of grinding paste
- Wooden box

Extra grinding paste:
Id. No. 037133

MULTI DEVICE

Gripping Force Tester GFT-X 4.0

Wireless gripping force and speed measuring of jaw chucks and collet chucks in dynamic or static measuring mode



Measuring heads

M3 / M4

Measuring heads for jaw chucks

Clamping-Ø 72 to 108 mm



Measuring head convertible for 2 and 3 jaws

Measuring head	Range / gripping force	
	2 Jaws	3 Jaws
M3	0 to 180 kN	0 to 270 kN
	Id. No. 207074	
M4	0 to 30 kN	0 to 45 kN
	Id. No. 207259	



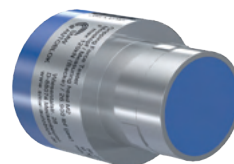
Separate measuring head for 2, 3 and 6 jaws

Measuring head	Range / gripping force
	6 Jaws
M3-6	0 to 270 kN on request
M4-6	0 to 45 kN on request

M2

Measuring head for collet chucks

Clamping-Ø 42 mm



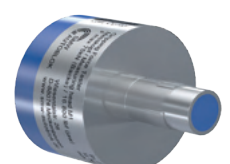
For collets with 3 segments

Measuring head	Range / gripping force
	Collets
M2	0 to 120 kN
	Id. No. 207258

M1

Measuring head for collet chucks

Clamping-Ø 18 mm

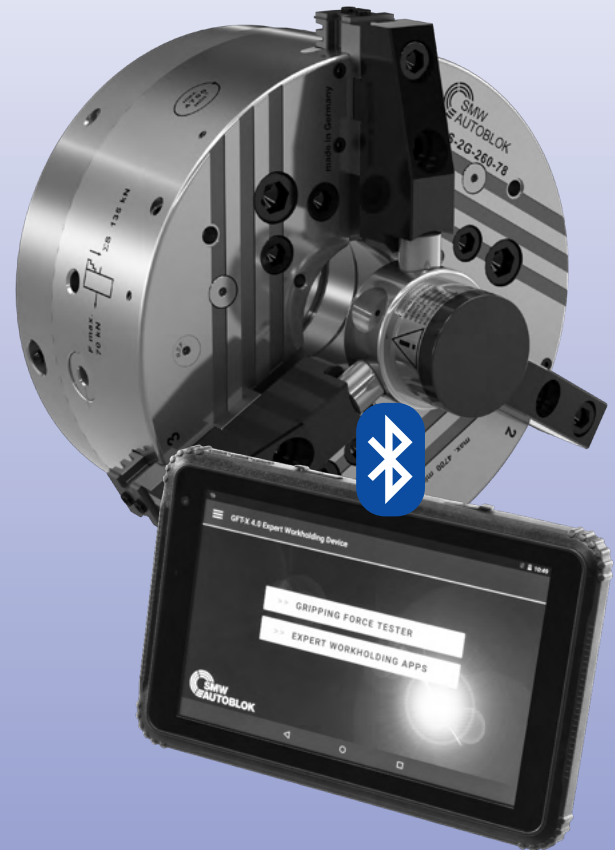


For collets with 3 segments

Measuring head	Range / gripping force
	Collets
M1	0 to 75 kN
	Id. No. 207257

Features GFT-X 4.0

- **Wireless data transfer** from measuring head to table via Bluetooth for the measuring of dynamic and static clamping forces and speed (with included bracket)
- **Built-in camera** in tablet
- **Assistance systems:**
Manuals, Jaw Finder, Chuck Finder, Technical calculations
- **Rechargeable battery**, operation time in use: 8h
- **Smart user interface**
- Tablet suitable for **industrial use** (Protection class IP 67)
- **Display** kN or lbf
- **Languages:**
German, English, Italian, Spanish, Russian, Chinese and Japanese
- **Measured clamping forces can be evaluated** by the integrated software or by the display software on Laptop / PC
- **4 Measuring heads** for jaw chucks and **2 Measuring heads** for collet chucks



Gripping force tester – GFT-X 4.0 with measuring head



GFT-X 4.0

Wireless Gripping Force Tester

Expert Multi Device

- Technical data
- Ordering review

Standard equipment with GFT-X 4.0

Case with:

- Large Multi Device Tablet.
- Measuring head M3 (2 and 3 jaws) for jaw chucks with extensions and loading device.
- Torx-key T15 and spare screws.
- Bracket with magnet for measuring of speed.
- Loading cable with USB port.
- USB cable for Tablet.
- Adapter for USA, UK and Southern Europe.



Ordering data

GFT-X 4.0 case incl. Tablet, Measuring head M3 (2 and 3 jaws) Id. No. 206844

Option:

Measuring head M1 (for collet chucks) Id. No. 207257
 Measuring head M2 (for collet chucks) Id. No. 207258
 Measuring head M3 (2 and 3 jaws) Id. No. 207074
 Measuring head M4 (2 and 3 jaws, high-precision) Id. No. 207259
 Measuring head M3 (6 jaws) Id. No. 207586
 Measuring head M4 (6 jaws, high-precision) Id. No. 207587

Display software PC / Laptop

- The data transfer is via an USB interface.
- The software can be run under all standard windows systems.

Input

- Automatic measuring of the data (gripping force - speed).
- The number of measuring steps can be programmed free.

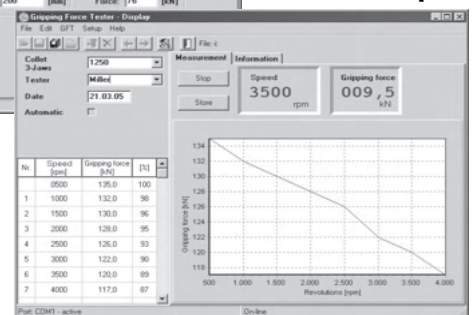
Output

- Table gripping force / speed.
- Diagram gripping force / speed.

Input



Output



Technical data

Tablet	
Display / Grip force F – speed	Display in kN / lbf - r.p.m
Data transfer	Bluetooth 4.0
Power supply / Transformer	100 / 240 V AC, 50 to 60 Hz
Distance Tablet / Measuring head	1-4 m (appr.)
Interface PC / Laptop	USB 2.0
Operating temp.	0 to 40° (32°-100 °F)
Protection class	IP 67

Warning: Machine door must be closed while measuring head is rotating!

	Measuring head M1	Measuring head M2	Measuring head M3	Measuring head M4
Application	collet Ø 18	collet Ø 42	chuck 2 / 3 or 2 / 3 / 6 jaws	
Clamping diameter	18 mm	42 mm	72 to 108 mm	72 to 108 mm
No. of jaws	collet 3 x slotted	collet 3 x slotted	2 and 3 jaws / 6 jaws	
Power supply	internal rechargeable capacitor			
Capacity of power supply	ca. 1.5 h at 50 % d.c.			
Data transfer	Bluetooth 4.0			
Range / gripping force F max.	0 to 75 kN	0 to 120 kN	0 to 180 kN (2-jaws) 0 to 270 kN (3 / 6-jaws)	0 to 30 kN (2-jaws) 0 to 45 kN (3 / 6-jaws)
Speed r.p.m	<10.000 r.p.m.	<8.000 r.p.m.	<6.000 r.p.m.	<6.000 r.p.m.
Accuracy (F / r.p.m)	<5% / <1% fsr	<5% / <1% fsr	<3% / <1% fsr	<1.5% / <1% fsr

**Important for maintenance and safe operation,
to be ordered with the chuck**

Grease K05®

Special grease for
manual and power chucks



Cartridge 14 Oz. (DIN 1284)
Grease content 500 g
Id. No. 016440

Can 1000 g
Id. No. 011881



- High adhesion
- High resistance against coolant
- High load bearing capacity
- Low friction coefficient
- Avoids tribocorrosion

Grease K67®

Special grease for fully sealed chucks
included in proofline® series



Cartridge 14 Oz. (DIN 1284)
Grease content 500 g
Id. No. 10731223

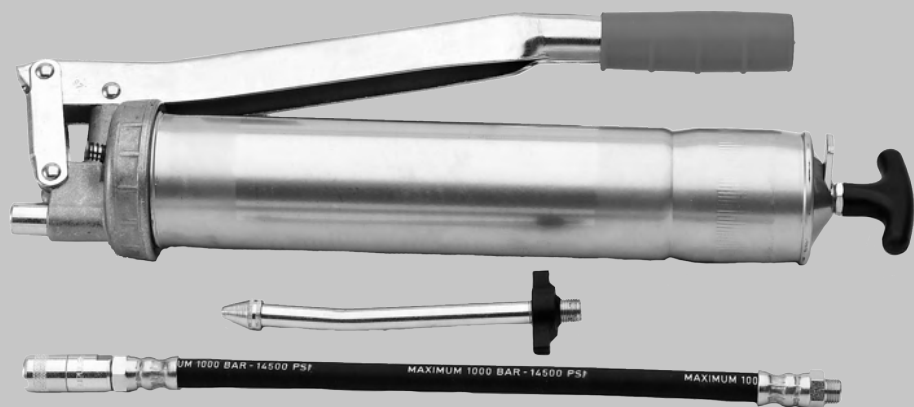
Can 1000 g
Id. No. 10731224



- For proofline chucks with permanent grease lubrication
- Basic components: mineral oils and lithium
- Without solvents

Grease gun

Grease gun (DIN 1283) for cartridges 14 Oz. (DIN 1284).



Greasing set Id. No. 083726

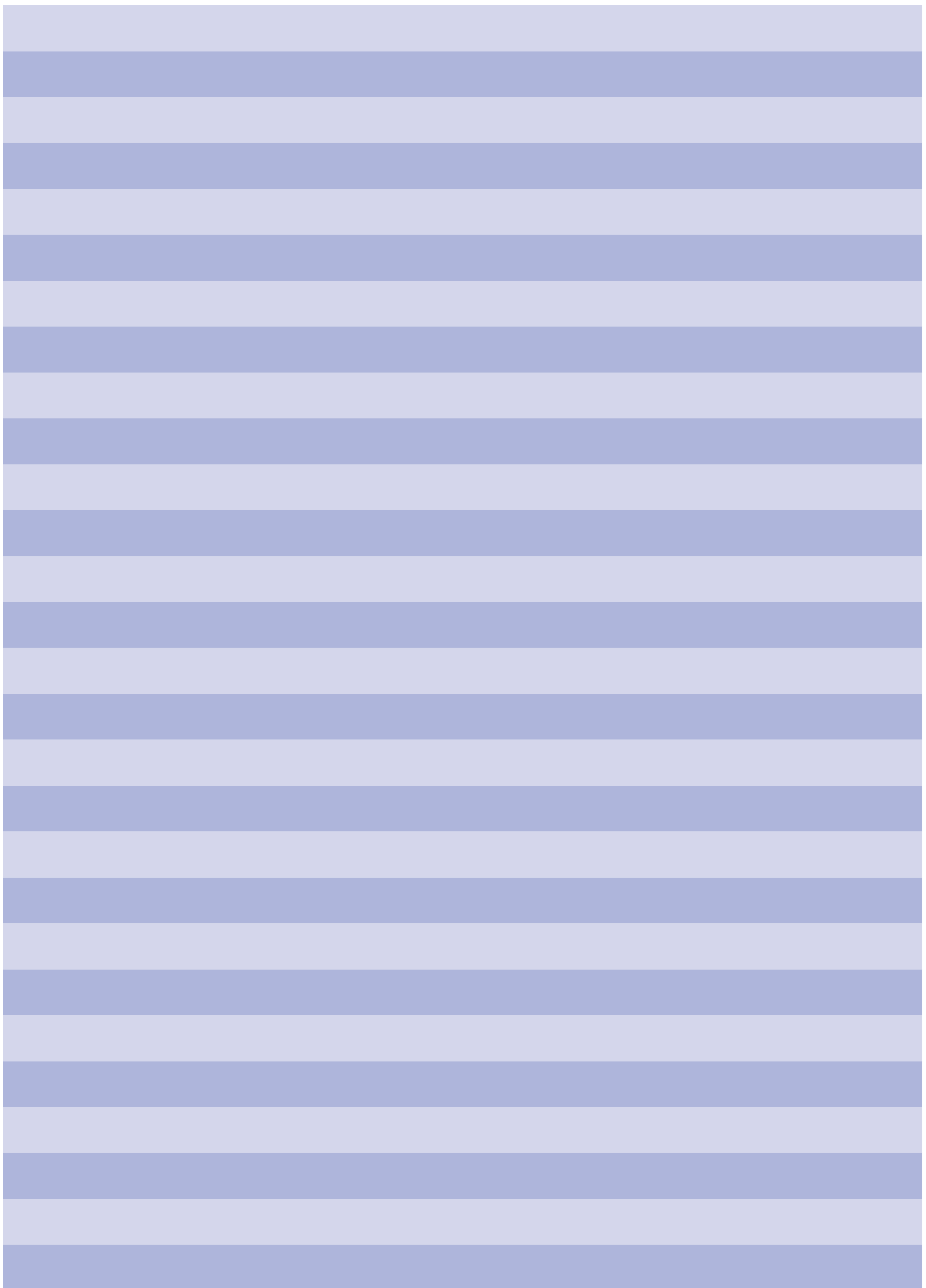
Supply range

- Grease gun
- 1 adapter flexible for high pressure grease fitting
- 1 adapter for cone grease fitting

Notes

A large area of horizontal stripes in two shades of blue, alternating between a medium blue and a light blue. This area is intended for writing notes.

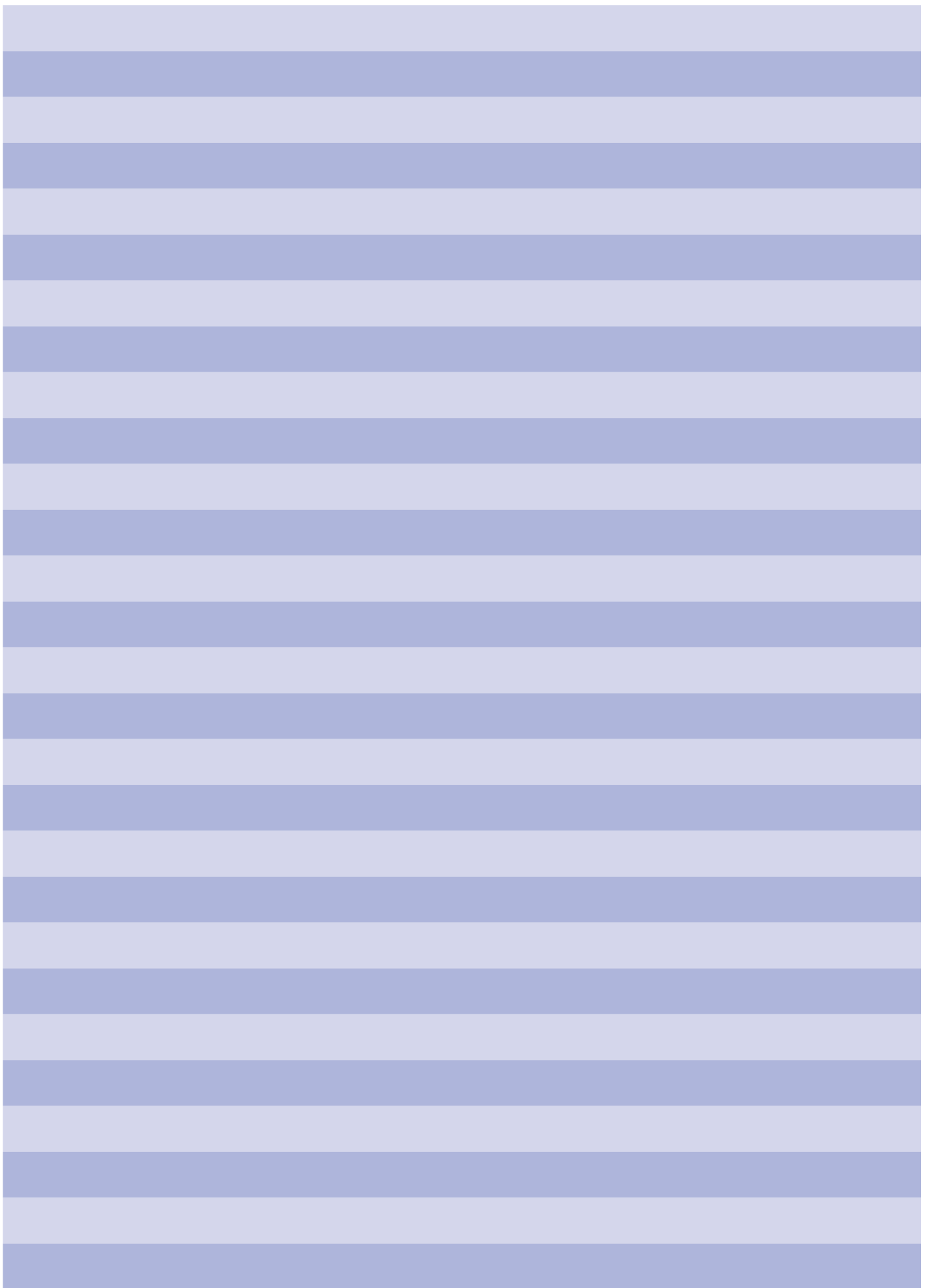
Notes



Notes

A large rectangular area filled with horizontal stripes in two shades of blue: a medium blue and a light blue. The stripes alternate in a repeating pattern, creating a template for writing notes.

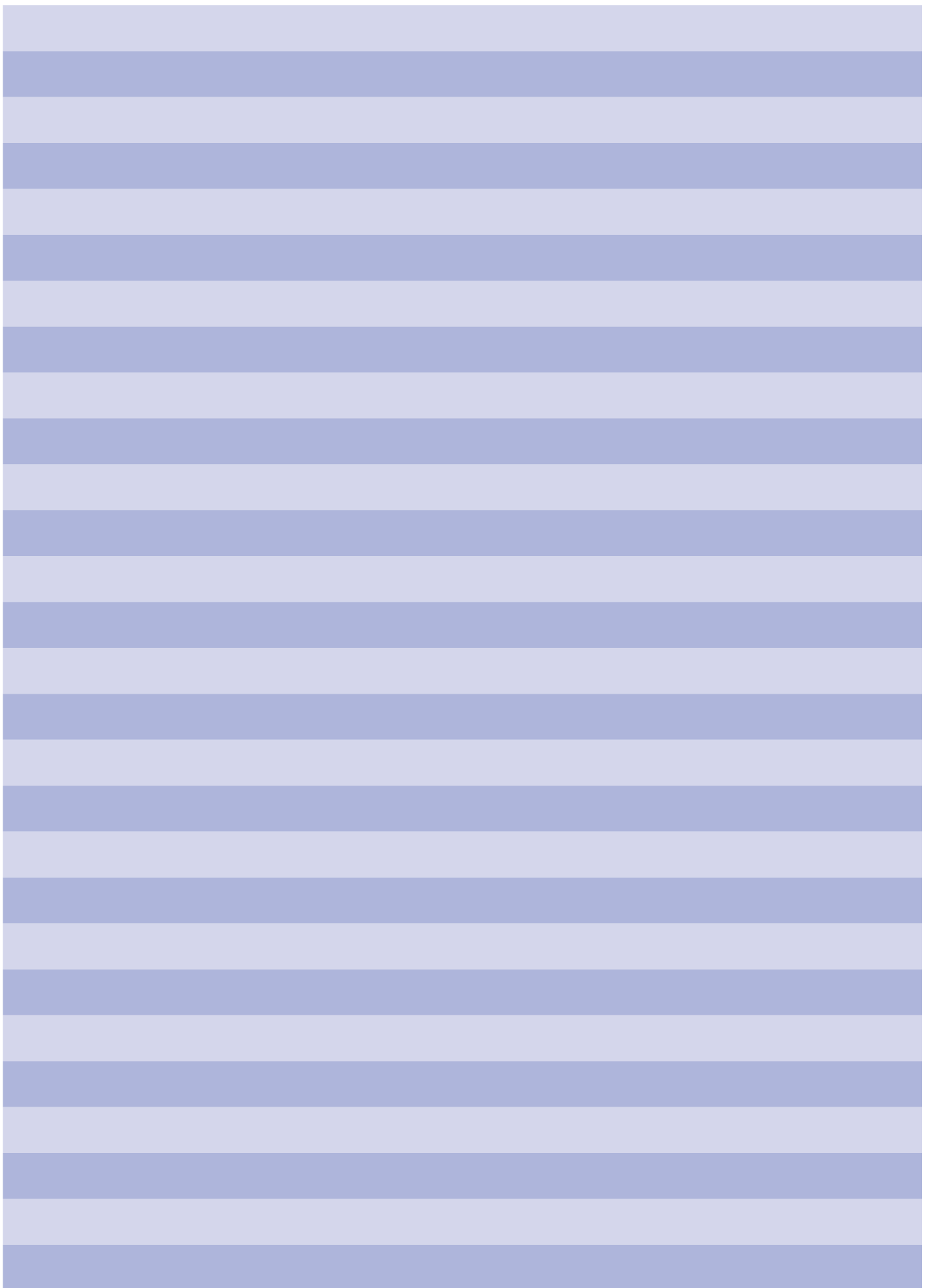
Notes



Notes

A large rectangular area filled with horizontal stripes in two shades of blue: a medium blue and a light blue. The stripes alternate in a repeating pattern, creating a template for writing notes.

Notes



SMW-AUTOBLOK Catalogs

The following SMW-AUTOBLOK catalogs are available:

- >> Catalog – Turning
- >> Catalog – Stationary workholding
- >> Catalog – Jaws
- >> Catalog – Grinding
- >> Catalog – OCTG
- >> Steady rests brochure
- >> Product overview

Ask for our complete catalogs Jaws and Stationary Workholding:



Download:
www.smw-autoblok.de

Could not find what you were looking for?
Then you will surely find it in one of the brochures below:

**SMW
AUTOBLOK**

GRINDING 18E

www.smw-autoblok.de

KATALOG OCTG 21G

Spannfutter für OCTG

**SMW
AUTOBLOK**

www.smw-autoblok.de

**SMW
AUTOBLOK**

**SELF-CENTERING
STEADY RESTS**
for turning, milling and grinding

www.smw-autoblok.de

**SMW
AUTOBLOK**

PRODUCT OVERVIEW
Chucks | Steady Rests | Cylinders | Accessories

www.smw-autoblok.de

**SMW
AUTOBLOK**

5-AXIS MACHINE TOOLS
from SMW-AUTOBLOK

ST5/ST5-2G SEALED
Protected spindle

HIGH PRECISION
High rigidity

COMPACT
Best grip force

SINTERGRIP
Reversible jaws for lowest clamping depth of workpieces and without pre-marking

www.stationary-workholding.de

**SMW
AUTOBLOK**

TWIN VICES
from SMW-AUTOBLOK

FOR AUTOMATION
All products suitable for industry 4.0 applications

SINTERGRIP JAWS
Lowest clamping depth without pre-marking

HIGH PRECISE
Highest repeatability

www.stationary-workholding.com

**SMW
AUTOBLOK**

**ZERO POINT
CLAMPING SYSTEMS
WPS | APS**

For workpiece direct clamping
Significant reduction of setup times

www.stationary-workholding.com

**SMW
AUTOBLOK**

POWER CHUCKS
with quick jaw change

SEALED
Now in 2G version
Sealed - low maintenance

EFFICIENT + FLEXIBLE
Fastest set up times
Maximum cost-efficiency
and flexibility

PRECISE
Highest precision -
No reworking of
already machined
parts necessary

www.smw-autoblok.de

SMW-AUTOBLOK

Service Benefits

▶ **Service hotline**

Hotline +49 (0) 7542 - 405 - 140

▶ **Worldwide**

Service and support on site

▶ **Rapid task force**

Global reach in less time,
technical problem-solving skills

▶ **Repair**

Quick Repair, express service on request

▶ **Original spare parts**

Relevant spare parts are available from stock

▶ **Training**

Individual training courses

▶ **Run-off**

Run-off and support at the point of use

▶ **Maintenance**

Scheduled maintenance, at SMW-AUTOBLOK or at the customer

▶ **Warranty**

Warranty of 24 months on request

▶ **Contact**

SMW-AUTOBLOK Serviceteam

Tel.: +49 (0) 7542 - 405 - 140

Fax: +49 (0) 7542 - 405 - 179

E-mail: service@smw-autoblok.de



**Germany**

SMW-AUTOBLOK Spannsysteme GmbH
Postfach 1151 • D-88070 Meckenbeuren
Wiesentalstraße 28 • D-88074 Meckenbeuren
Tel.: +49 (0) 7542 - 405 - 0
Vertrieb Inland ▶ vertrieb@smw-autoblok.de
Fax: +49 (0) 7542 - 3886
Sales International ▶ sales@smw-autoblok.de
Fax: +49 (0) 7542 - 405 - 181

**Italy**

AUTOBLOK s.p.a.
Via Duca D'Aosta n.24
Fraz. Novaretto
I-10040 Caprie - Torino
Tel. +39 011 - 9638411
Tel. +39 011 - 9632020
Fax +39 011 - 9632288
E-mail ▶ info@smwautoblok.it

**U.S.A.**

SMW-AUTOBLOK Corporation
285 Egidi Drive - Wheeling, IL 60090
Tel. +1 847 - 215 - 0591
Fax +1 847 - 215 - 0594
E-mail ▶ autoblok@smwautoblok.com

**France**

SMW-AUTOBLOK
17, Avenue des Frères Montgolfier - Z.I. Mi-Plaine
F-69680 Chassieu
Tel. +33 (0) 4 - 727 - 918 18
Fax +33 (0) 4 - 727 - 918 19
E-mail ▶ autoblok@smwautoblok.fr

**Japan**

SMW-AUTOBLOK Japan Inc.
1-56 Hira, Nishi-Ku
461-Nagoya
Tel. +81 (0) 52 - 504 - 0203
Fax +81 (0) 52 - 504 - 0205
E-mail ▶ japan@smwautoblok.co.jp

**Great Britain**

SMW-Autoblok Telbrook Ltd.
7 Wilford Industrial Estate
Ruddington Lane, Wilford
GB-Nottingham, NG11 7EP
Tel. +44 (0) 115 - 982 1133
E-mail ▶ info@smw-autoblok-telbrook.co.uk

**China**

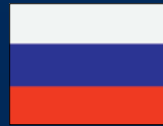
SMW-AUTOBLOK (Shanghai) Work Holding Co.,Ltd.
Building 6, No.72, JinWen Road, KongGang
Industrial Zone, ZhuQiao Town, Pudong District
201323, Shanghai P.R. China
Tel. +86 21 - 5810 - 6396
Fax +86 21 - 5810 - 6395
E-mail ▶ china@smwautoblok.cn

**Spain**

SMW-AUTOBLOK IBERICA, S.L.
Ursalto 4 – Pab. 9-10 Pol. 27
20014 Donostia - San Sebastián (Gipuzkoa)
Tel.: +34 943 - 225 079
Fax: +34 943 - 225 074
E-mail ▶ info@smwautoblok.es

**Mexico**

SMW-AUTOBLOK Mexico, S.A. de C.V.
Acceso III No. 16 Int.9,
Condominio Quadrum
Industrial Benito Juarez
Querétaro, Qro. C.P. 76120
Tel. +52 (442) 209 - 5118
Fax +52 (442) 209 - 5121
E-mail ▶ smwmex@smwautoblok.mx

**Russia**

SMW-AUTOBLOK Russia
B.Tulskaya str., 10, bld.3, off. 323,
115191 Moscow (Russia)
Tel. +7 495 -231-1011
Fax +7 495 -231-1011
E-mail ▶ info@smw-autoblok.ru

**India**

SMW-AUTOBLOK Workholding Pvt. Ltd.,
Plot No. 4, Weikfield Industrial Estate,
Gat No. 1251, Sanaswadi, Tal - Shirur,
Dist - Pune, 412 208
Tel. +91 2137 - 616 974
Fax +91 2137 - 616 972
E-mail ▶ info@smwautoblok.in

**Taiwan**

AUTOBLOK Company Ltd.
No.6, Shuyi Rd., South Dist.,
Taichung, Taiwan
Tel. +886 4-226 10826
Fax +886 4-226 12109
E-mail ▶ taiwan@smwautoblok.tw

**Turkey**

SMW AUTOBLOK Makina San. Ve Tic. Ltd. Şti.
Yenişehir Mah, Osmanlı Blv, Volume Kurtköy Ofis
No:9, Kat:1, D:4, PK: 34912, Pendik, İstanbul
Tel. +90 216 629 - 2019
E-mail ▶ info@smwautoblok.com.tr

**Czech Republic / Slovakia**

SMW-AUTOBLOK s.r.o.
Merhautova 20
CZ - 613 00 Brno
Tel. +420 513 034 157
Fax +420 513 034 158
E-mail ▶ info@smw-autoblok.cz

**Sweden / Norway**

SMW-Autoblok Scandinavia AB
Kasernvägen 2
SE - 281 35 Hässleholm
Tel. +46 (0) 761 420 111
E-mail ▶ info@smw-autoblok.se

**Poland**

SMW-AUTOBLOK Poland Sp. z.o.o.
Ul Ligocka 103 - Building 8
40-568 Katowice
Tel. +48 (0) 664 673 428
E-mail ▶ info@smwautoblok.pl

**Korea**

SMW-AUTOBLOK KOREA CO., LTD.
1108 ho, Baeksang Startower 1st,
65, Digital-ro 9-gil, Geumcheon-gu
Seoul, ROK-08511, Korea
Tel. +82 2 6267 9505
Fax +82 2 6267 9507
E-mail ▶ info-korea@smw-autoblok.net